

**8130, 8230, 8330, 8430  
and 8530 Tractors**



**JOHN DEERE**

**PARTS CATALOG**

**8130, 8230, 8330, 8430  
and 8530 Tractors**

**PC9451 (APR-06) English**

**ЧАСТЬ 1**

**John Deere Waterloo Works**

North American Edition

Litho in U.S.A. (Revised)

COPYRIGHT © 2006

DEERE & COMPANY

Moline, Illinois

All rights reserved

# 10-A01

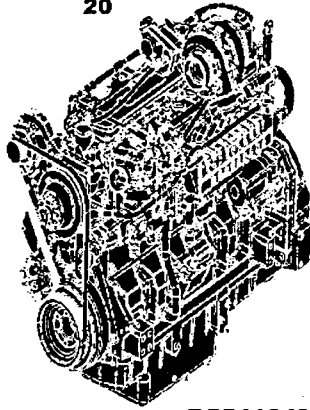
8130, 8230, 8330, 8430, 8530 TRACTORS

PRIMARY INDEX  
INDEX PRINCIPAL  
HAUPTINDEX  
INDICE PRINCIPALE  
INDICE DE MATERIAS  
HUVUDFORTECKNING

RGP11640 -UN-

20- A01
1- A06

20



RGP11640



# 10-A02

8130, 8230, 8330, 8430, 8530 TRACTORS

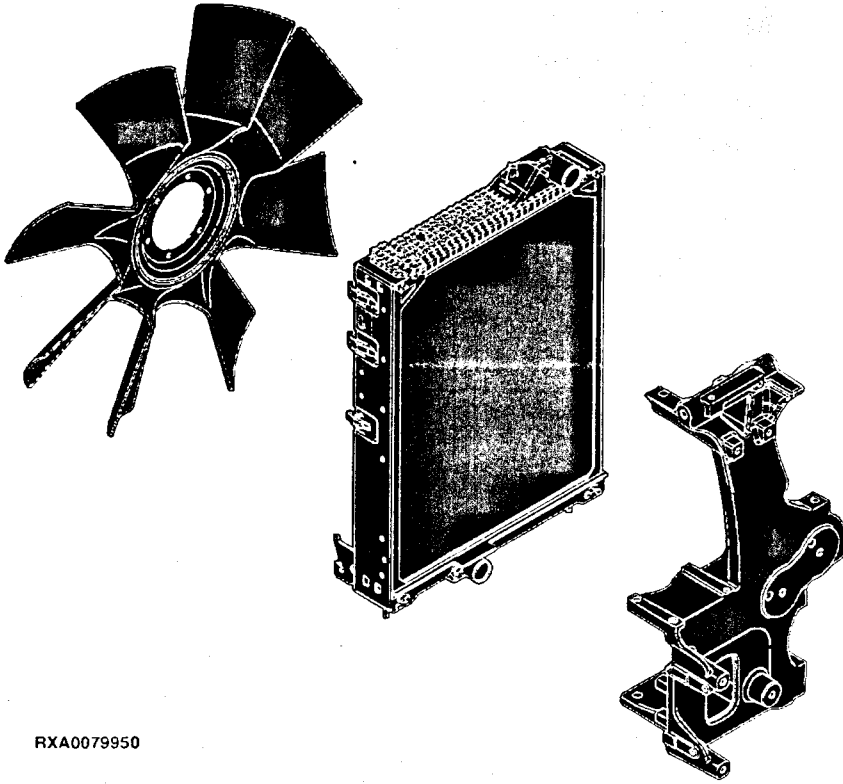
PRIMARY INDEX  
INDEX PRINCIPAL  
HAUPTINDEX  
INDICE PRINCIPALE  
INDICE DE MATERIAS  
HUVUDFORTECKNING

25- A01

RXA0079950

-UN-

25



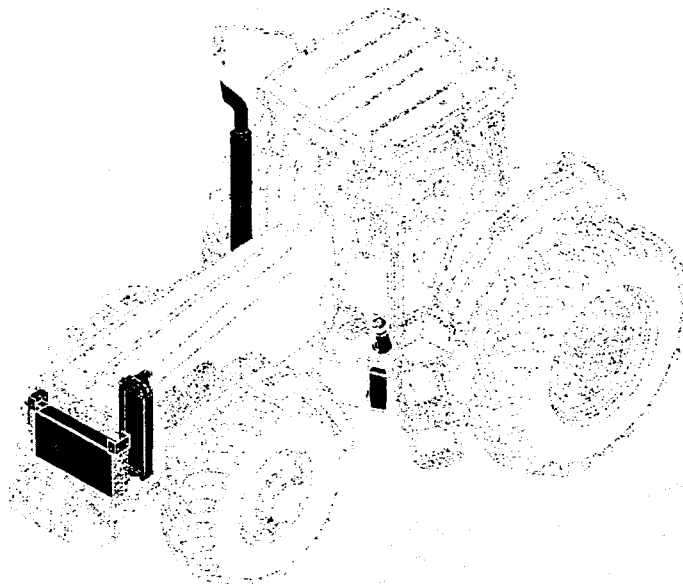
RXA0079950

PRIMARY INDEX  
INDEX PRINCIPAL  
HAUPTINDEX  
INDICE PRINCIPALE  
INDICE DE MATERIAS  
HUVUDFORTECKNING

35- A01

RXA0081815 -UN-

35



RXA0081815

# 10-A04

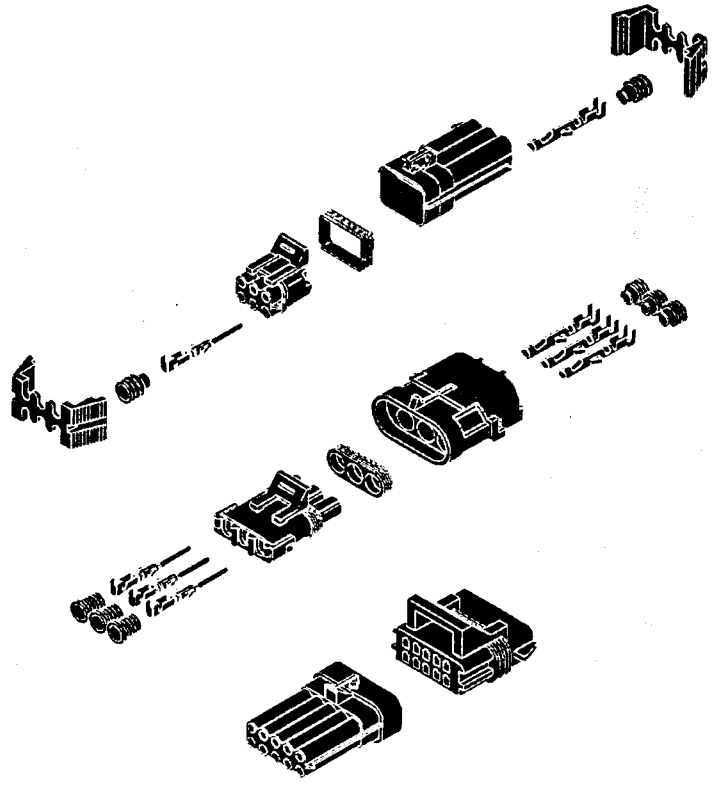
8130, 8230, 8330, 8430, 8530 TRACTORS

5 INDEX  
INDEX PRINCIPAL  
HAUPTINDEX  
INDICE PRINCIPALE  
INDICE DE MATERIAS  
HUVUDFORTECKNING

RXA0081812 -UN-

40- A01

40



RXA0081812

# 10-A05

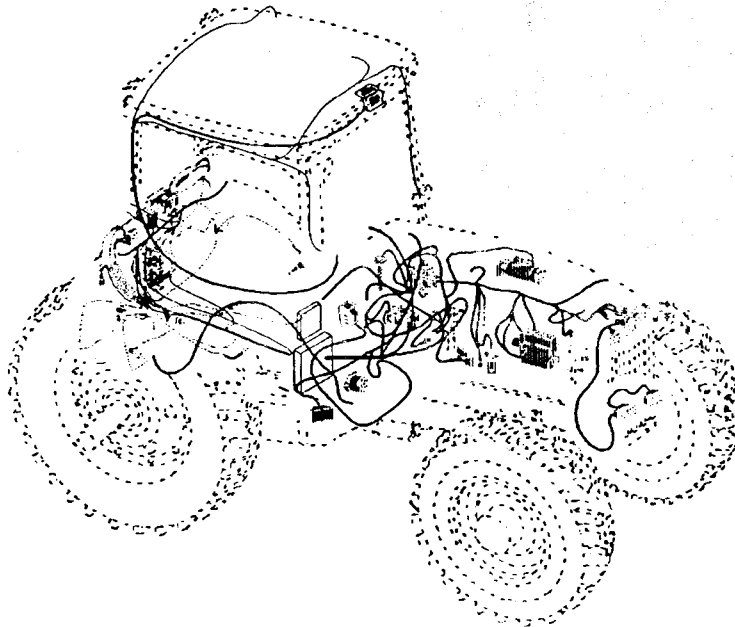
8130, 8230, 8330, 8430, 8530 TRACTORS

PRIMARY INDEX  
INDEX PRINCIPAL  
HAUPTINDEX  
INDICE PRINCIPALE  
INDICE DE MATERIAS  
HUVUDFORTECKNING

RXA0081813 -UN-

41- A01
41- A02
41- A03

41



RXA0081813

# 10-A06

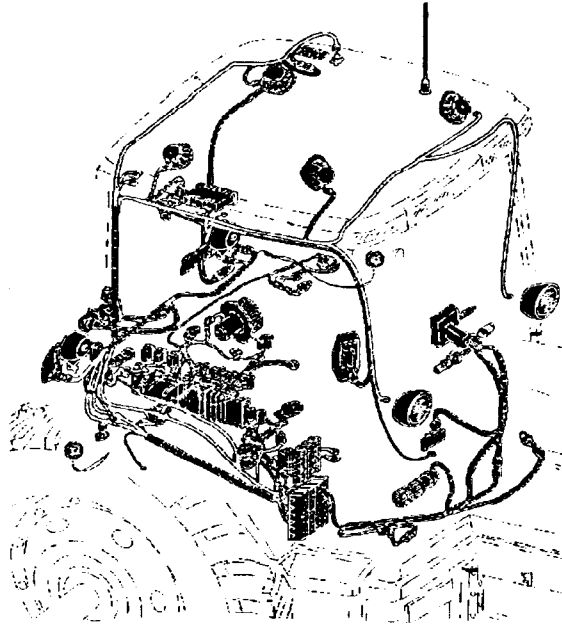
8130, 8230, 8330, 8430, 8530 TRACTORS

PRIMARY INDEX  
INDEX PRINCIPAL  
HAUPTINDEX  
INDICE PRINCIPALE  
INDICE DE MATERIAS  
HUVUDFORTECKNING

RXA0081814 -UN-

42-	A01
42-	A02
42-	A03
42-	A04

42



RXA0081814

# 10-A07

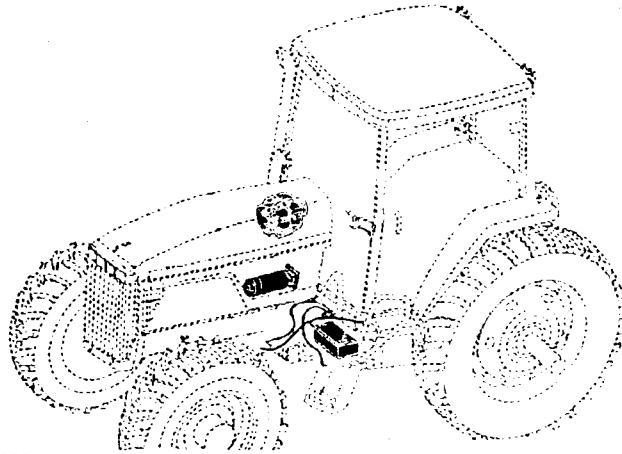
8130, 8230, 8330, 8430, 8530 TRACTORS

PRIMARY INDEX  
INDEX PRINCIPAL  
HAUPTINDEX  
INDICE PRINCIPALE  
INDICE DE MATERIAS  
HUVUDFORTECKNING

43- A01

RXA0081820 -UN-

43



RXA0081820

# 10-A08

8130, 8230, 8330, 8430, 8530 TRACTORS

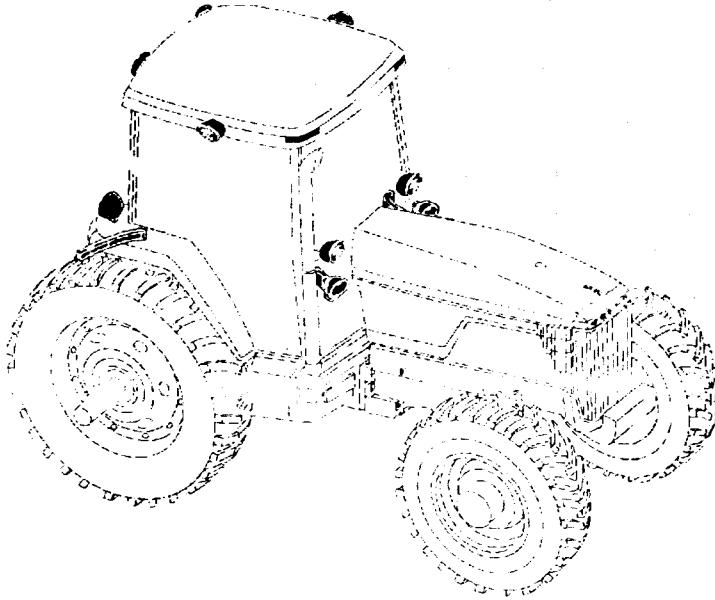
PRIMARY INDEX  
INDEX PRINCIPAL  
HAUPTINDEX  
INDICE PRINCIPALE  
INDICE DE MATERIAS  
HUVUDFORTECKNING

RXA0081821

-UN-

44-	A01
44-	A02
44-	A03

44



RXA0081821

# 10-A09

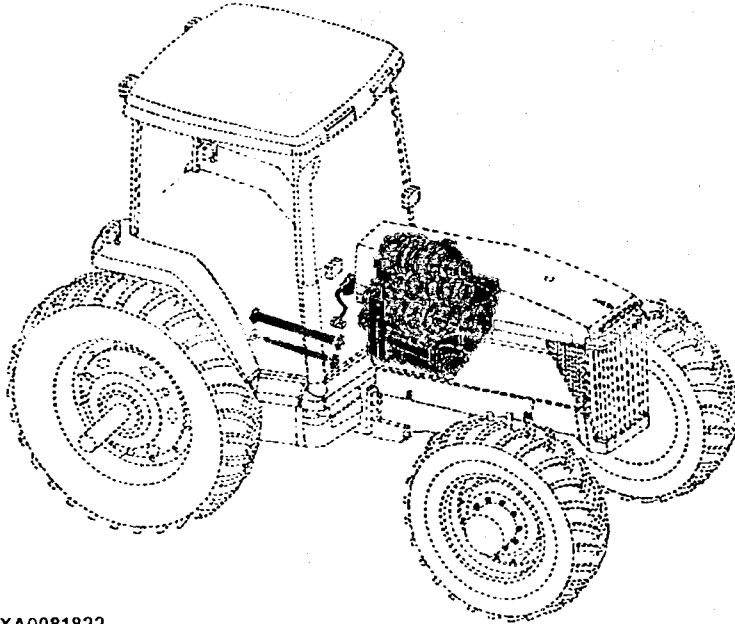
8130, 8230, 8330, 8430, 8530 TRACTORS

PRIMARY INDEX  
INDEX PRINCIPAL  
HAUPTINDEX  
INDICE PRINCIPALE  
INDICE DE MATERIAS  
HUVUDFORTECKNING

RXA0081822 -UN-

51- A01
51- A02
51- A03
51- A04

51



RXA0081822



# 10-A1A

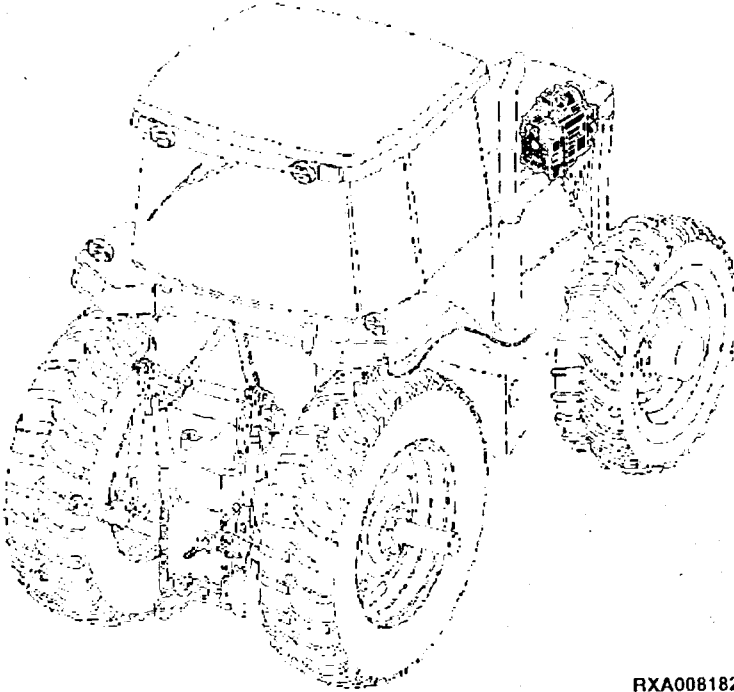
8130, 8230, 8330, 8430, 8530 TRACTORS

PRIMARY INDEX  
INDEX PRINCIPAL  
HAUPTINDEX  
INDICE PRINCIPALE  
INDICE DE MATERIAS  
HUVUDFORTECKNING

52- A01

RXA0081827 -UN-

52



RXA0081827

# 10-A1B

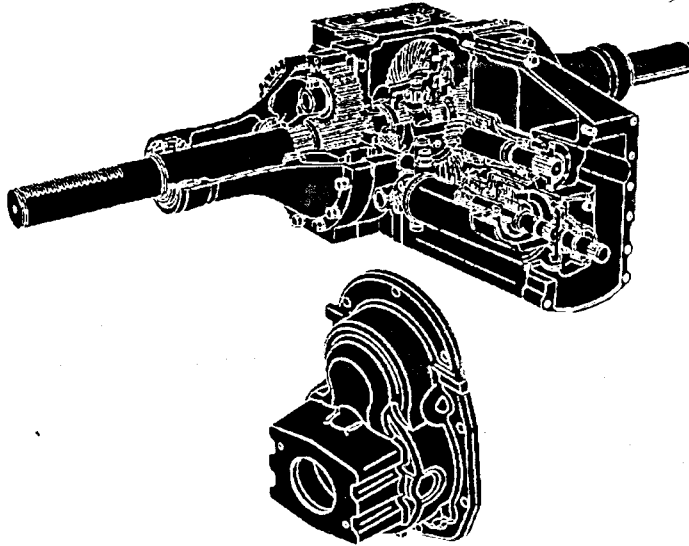
8130, 8230, 8330, 8430, 8530 TRACTORS

PRIMARY INDEX  
INDEX PRINCIPAL  
HAUPTINDEX  
INDICE PRINCIPALE  
INDICE DE MATERIAS  
HUVUDFORTECKNING

53- A01

RXA0081829 -UN-

53



RXA0081829

# 10-A1C

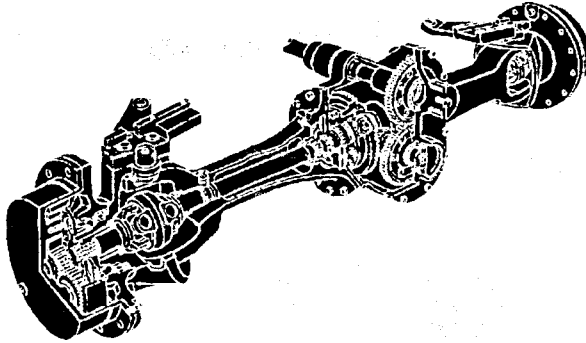
8130, 8230, 8330, 8430, 8530 TRACTORS

PRIMARY INDEX  
INDEX PRINCIPAL  
HAUPTINDEX  
INDICE PRINCIPALE  
INDICE DE MATERIAS  
HUVUDFORTECKNING

54- A01

RXA0081830 -UN-

54



RXA0081830

# 10-A1E

8130, 8230, 8330, 8430, 8530 TRACTORS

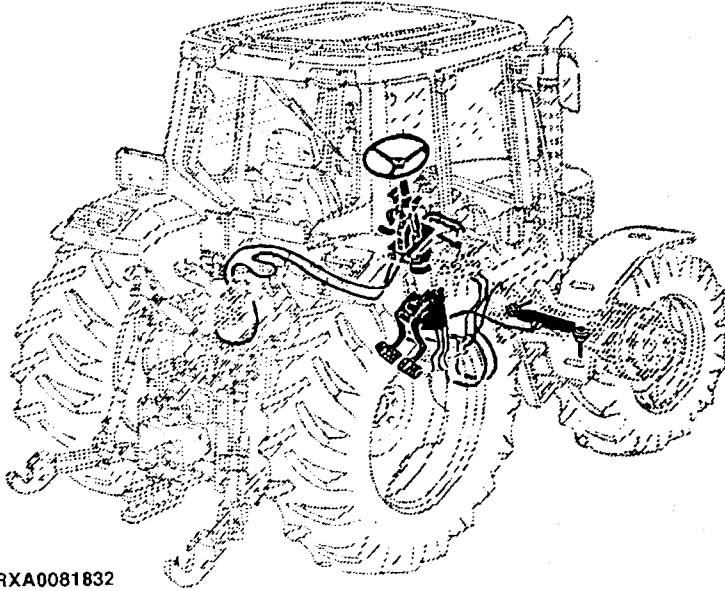
PRIMARY INDEX  
INDEX PRINCIPAL  
HAUPTINDEX  
INDICE PRINCIPALE  
IDUCE DE MATERIAS  
UVUDFORTECKNING

RXA0081832

-UN-

60- A01
60- A02
60- A03

60



RXA0081832

# 10-A1D

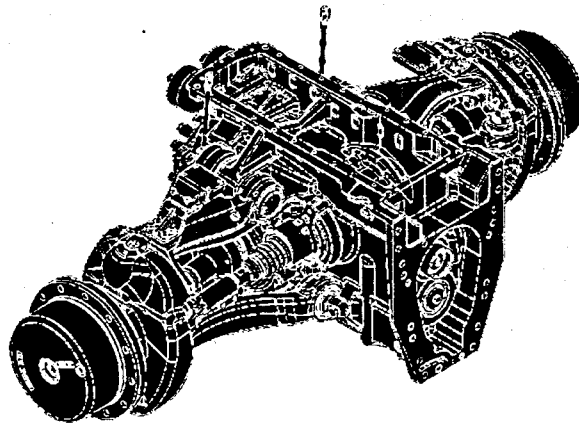
8130, 8230, 8330, 8430, 8530 TRACTORS

PRIMARY INDEX  
INDEX PRINCIPAL  
HAUPTINDEX  
INDICE PRINCIPALE  
INDICE DE MATERIAS  
HUVUDFORTECKNING

RXA0081831 -UN-

55- A01
55- A02
55- A03
55- A04

55



RXA0081831

# 10-A1F

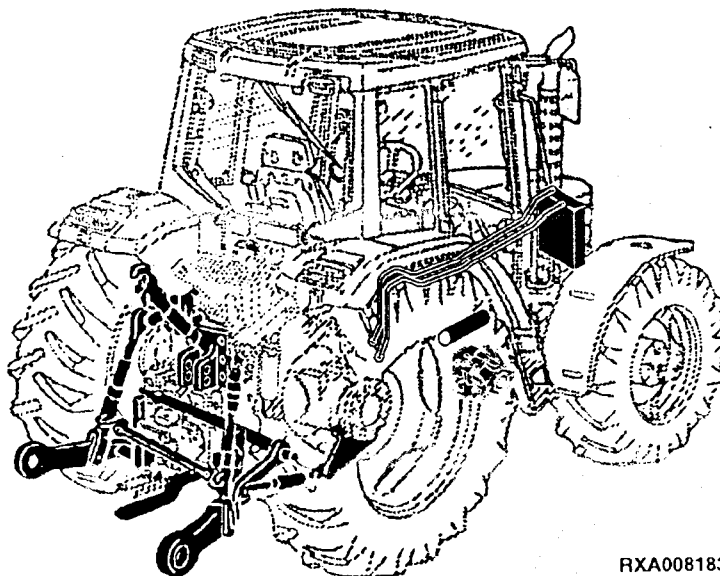
8130, 8230, 8330, 8430, 8530 TRACTORS

PRIMARY INDEX  
INDEX PRINCIPAL  
HAUPTINDEX  
INDICE PRINCIPALE  
INDICE DE MATERIAS  
HUVUDFORTECKNING

RXA0081836 -UN-

70

70- A01
70- A02
70- A03
70- A04
70- A05



RXA0081836

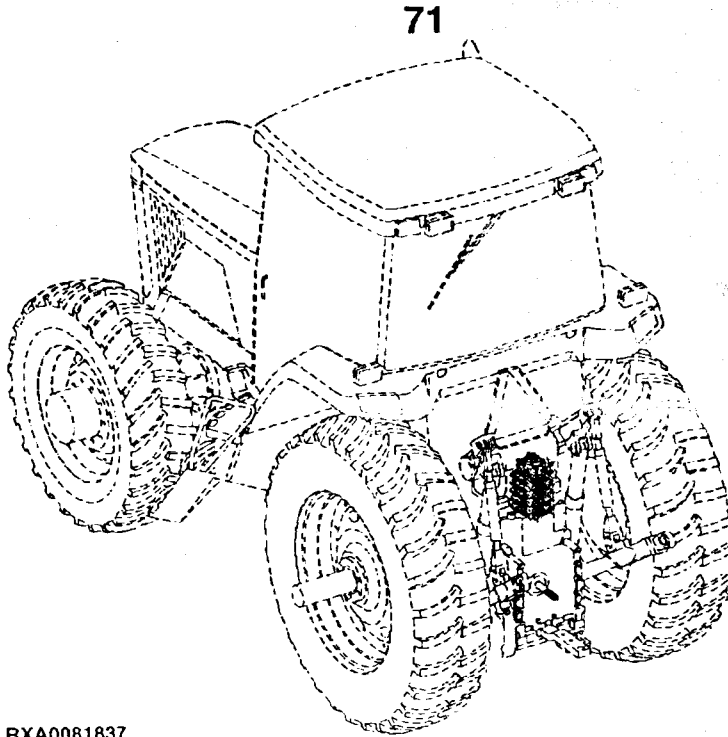
# 10-A1G

8130, 8230, 8330, 8430, 8530 TRACTORS

PRIMARY INDEX  
INDEX PRINCIPAL  
HAUPTINDEX  
INDICE PRINCIPALE  
INDICE DE MATERIAS  
HUVUDFORTECKNING

71- A01

RXA0081837 -UN-



RXA0081837

# 10-A1H

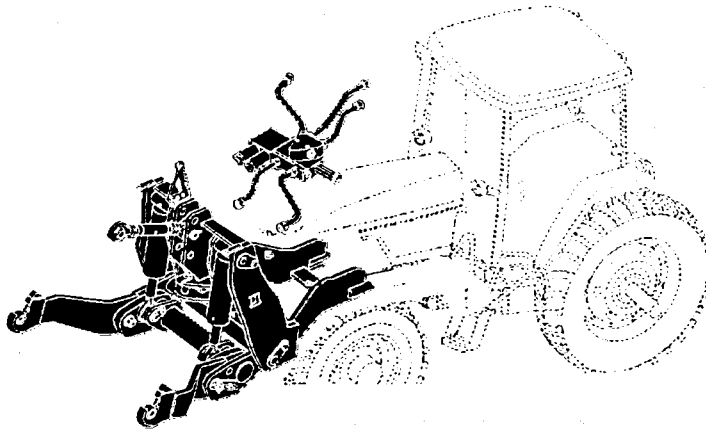
8130, 8230, 8330, 8430, 8530 TRACTORS

PRIMARY INDEX  
INDEX PRINCIPAL  
HAUPTINDEX  
INDICE PRINCIPALE  
INDICE DE MATERIAS  
HUVUDFORTECKNING

RXA0081838 -UN-

72- A01
72- A02

72



RXA0081838



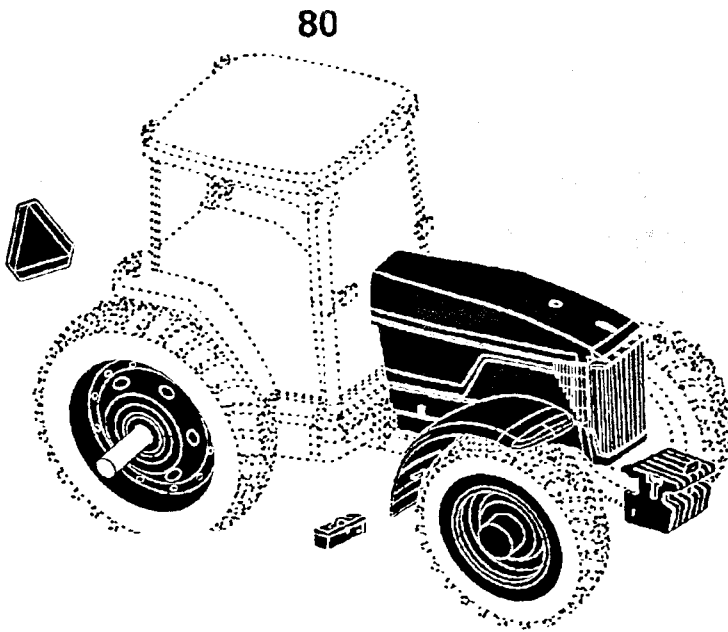
# 10-A11

8130, 8230, 8330, 8430, 8530 TRACTORS

PRIMARY INDEX  
INDEX PRINCIPAL  
HAUPTINDEX  
INDICE PRINCIPALE  
INDICE DE MATERIAS  
HUVUDFORTECKNING

80- A01
80- A02

RXA0081839 -UN-



RXA0081839

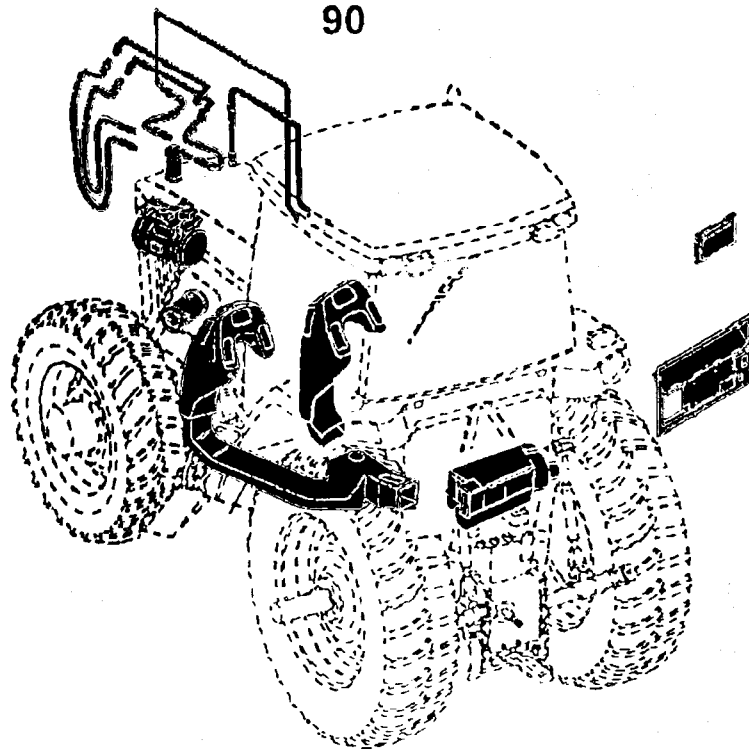
# 10-A1J

8130, 8230, 8330, 8430, 8530 TRACTORS

PRIMARY INDEX  
INDEX PRINCIPAL  
HAUPTINDEX  
INDICE PRINCIPALE  
INDICE DE MATERIAS  
HUVUDFORTECKNING

RXA0081840 -UN-

90- A01
90- A02



RXA0081840

# 10-A1K

8130, 8230, 8330, 8430, 8530 TRACTORS

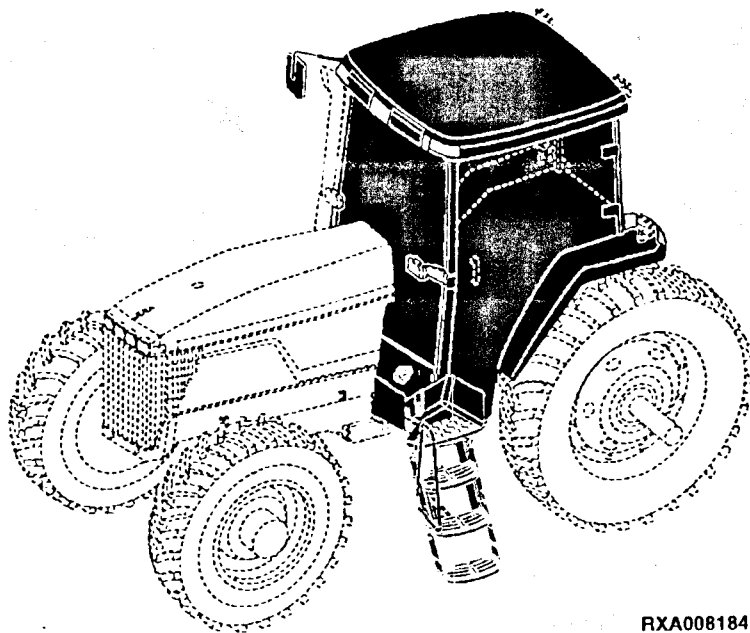
PRIMARY INDEX  
INDEX PRINCIPAL  
HAUPTINDEX  
INDICE PRINCIPALE  
INDICE DE MATERIAS  
HUVUDFORTECKNING

RXA0081841

-UN-

91- A01
91- A02
91- A03

91



RXA0081841

# 10-A1M

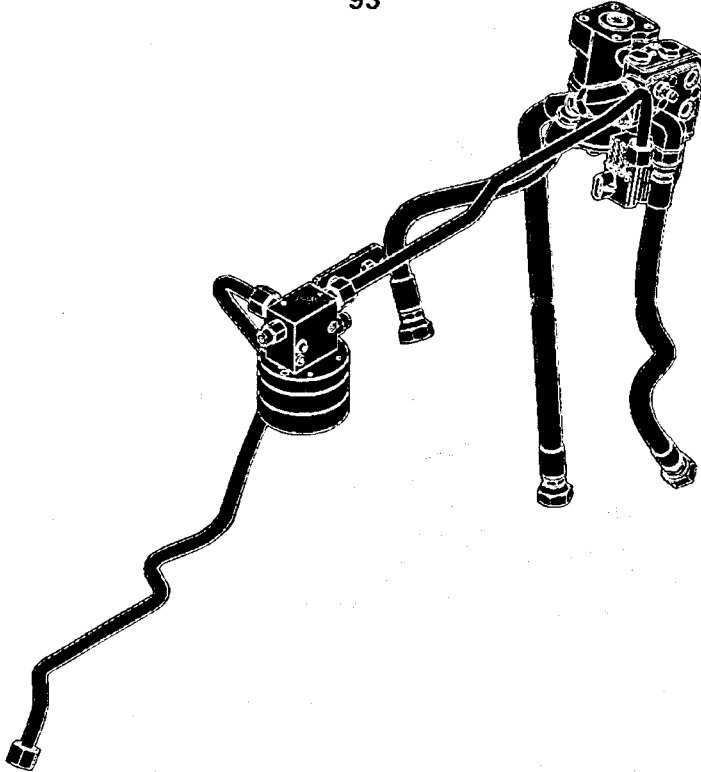
8130, 8230, 8330, 8430, 8530 TRACTORS

PRIMARY INDEX  
INDEX PRINCIPAL  
HAUPTINDEX  
INDICE PRINCIPALE  
INDICE DE MATERIAS  
HUYUDFORTECKNING

93- A01

RXA0081843 -UN-

93



RXA0081843

# 10-A1N

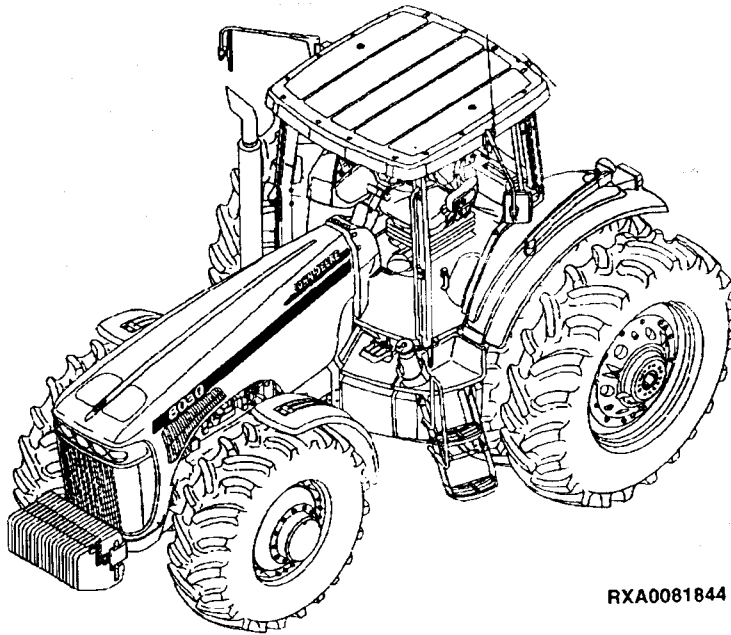
8130, 8230, 8330, 8430, 8530 TRACTORS

PRIMARY INDEX  
INDEX PRINCIPAL  
HAUPTINDEX  
INDICE PRINCIPALE  
INDICE DE MATERIAS  
HUYUDFORTECKNING

94- A01

RXA0081844 -UN-

94



RXA0081844

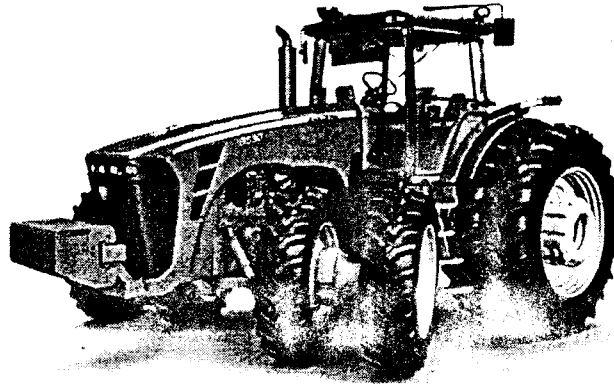
# 10-A10

8130, 8230, 8330, 8430, 8530 TRACTORS

PRIMARY INDEX  
INDEX PRINCIPAL  
HAUPTINDEX  
INDICE PRINCIPALE  
INDICE DE MATERIAS  
HUYUDFORTECKNING

RXA0081336

-UN-14JUN05



*JOHN DEERE 8130, 8230, 8330, 8430 OR 8530 TRACTOR  
(MANUFACTURED 2005- )*

*(SPECIFICATIONS AND DESIGN SUBJECT TO CHANGE WITHOUT NOTICE)*

CODES USED IN "REMARKS" COLUMN  
 CODES UTILISES DANS LA COLONNE "REMARQUES"  
 KODE-ZEICHEN IN DER SPALTE "BEMERKUNGEN"  
 CODICI USATI NELLA COLLONA "NOTE"  
 CODIFICACION EN LA COLUMNA "NOTAS"  
 KODTAS SOM ANVANDS PA KOLUMN "ANMARKNINGAR"

RXP022211

-UN-01JUL97

	ENGLISH	FRANCAIS	DEUTSCH
ALSO ORDER	ALSO ORDER	COMMANDER AUSSI	EBENSO BESTELLEN
AMP	AMPERE	AMPERE	AMPERE
AND	AND	ET	UND
APPL	THIS APPLICATION ONLY	UNIQUEMENT POUR CETTE UTILISATION	NUR FUR DIESE ANWENDUNG
AR	AS REQUIRED	SELON LE BESOIN	NACH BEDARF
ASSY	COMPLETE ASSEMBLY	ENSEMBLE COMPLET	KOMPLETTE BAUGRUPPE
COMPLETE	COMPLETE	COMPLET	VOLLSTANDIG
FRONT	FRONT	AVANT	VORN
HP	HORSEPOWER	PUISSANCE EN CV	PFERDEKRAFT
ID	INSIDE DIAMETER	DIAMETRE INTERIEUR	INNENDURCHMESSER
INCL KEYS	INCLUDES KEYS	COMPREND LES REPERES..	EINSCHLIEBICH TEILE
KIT	KIT	JEU	SATZ
LH	LEFT-HAND	GAUICHE	LINKS
LOW	LOWER	INFERIEUR	UNTEN
MARKED	MARKED	MARQUE	MARKIERT
MF	MAKE FROM	REALISER AVEC	HERSTELLEN VON
MFWD	MECHANICAL FRONT WHEEL DRIVE	TRACTION AVANT MECANIQUE	MECHANISCHER FRONTADANTRIEB
NA	NOT USED THIS APPLICATION	NE SERT PAS POUR CETTE APPLICATION	IN DIESER ANWENDUNG NICHT BENUTZT
NLA	NO LONGER AVAILABLE	EPUISE	NICHT MEHR LIEFERBAR
NSEP	NOT SUPPLIED SEPARATELY	NON LIVRE SEPAREMENT	EINZELN NICHT LIEFERBAR
OD	OUTSIDE DIAMETER	D'AMETRE EXTERIEUR	AUBENDURCH-MESSER
OR	OR	OU	ODER
ORD	ORDER	COMMANDER	BESTELLE
OS	OVERSIZE	SURDIMENSIONNE	UEBERGROSSE
PKG	PACKAGE	PAR PAQUET DE	VERPACKT ZU
REAR	REAR	ARRIERE	HINTEN
RH	RIGHT-HAND	DROIT	RECHTS
STD	STANDARD	STANDARD	STANDARD
SUB	REPLACED BY	REPLACE PAR	ERSETZT DURCH
SUB FOR	SUBSTITUTES FOR	REPLACE	ERSATZ FUR
TK	THICKNESS	EPAISSEUR	STARKE
UP	UPPER	SUPERIEUR	OBEN
US	UNDERSIZE	SOUS-DIMENSIONNE	UNTERGROSSE
USE WITH	USE WITH	A UTILISER AVEC	BENUTZEN MIT
W /	WITH	AVEC	MIT
W/O	WITHOUT	SANS	OHNE
Z	GEAR AND SPROCKET TEETH NUMBER	NOMBRE DE DENTS DES PIGNONS	ZAHNEZAHL FUR KETTEN- UND ZAHNRAD

RXP022211



CODES USED IN "REMARKS" COLUMN  
 CODES UTILISES DANS LA COLONNE "REMARQUES"  
 KODE-ZEICHEN IN DER SPALTE "BEMERKUNGEN"  
 CODICI USATI NELLA COLLONA "NOTE"  
 CODIFICACION EN LA COLUMNA "NOTAS"  
 KODATS SOM ANVANDS PA KOLUMN "ANMARKNINGAR"

RXP9419

-UN-26AUG94

	ITALIANO	ESPAÑOL	SVENSKA
ALSO ORDER	ORDINARE ANCHE	PEDIR TAMBIEN	BESTÄLL AVEN
AMP	AMPERE	AMPERO	AMPERE
AND	E	Y	OCH
APPL	SOLO PER QUESTO IMPIEGO	TAN SOLO PARA ESTE PROPOSITO	ENDAST FOR DENNA ANVANDNING
AR	SECONDO NECESSITA	SEGUN NECESIDAD	VID BEHOV
ASSY	GRUPPO COMPLETO	CONJUNTO COMPLETO	KOMPLETT SATS
COMPLETE	COMPLETO	COMPLETO	FULLSTANDIG
FRONT	ANTERIORE	FRENTE	FRAM
HP	POTENZA IN CAVALLI	POTENCIA	HASTKRAFT
ID	DIAMETRO INTERNO	DIAMETRO INTERIOR	INRE DIAMETER
INCL KEYS	CHIAVETTE INCLUSE	INCLUYE LAS POSICIONES	INKLUSIVE NYCKLAR
KIT	CORREDO	JUEGO	SATS
LH	SINISTRA	IZQUIERDA	VANSTER SIDA
LOW	INFERIORE	MAS BAJO	NEDRE
MARKED	MARCATO	MARCADO	MARKT
MF	FABBRICARE DI	HACER DE	TILLVERKA AV
MFWD	TRAZIONE ANTERIORE MECCANICA	TRACCION DELANTERA MECANICA	MEKANISK FRAMHJULSDRIFT
NA	NON USATO IN QUESTA APPLICAZIONE	NO SE USA EN ESTA APLICACION	EJ ANVAND I DETTA SAMMANHANG
NLA	NON PIU' DISPONIBILE	DESCONTINUADO	EJ LANGRE TILLGANGLIG
NSEP	NON LORNITO SEPARATAMENTE	NO SE SUMINISTRA POR SEPARADO	KAN EJ ERHALLAS SEPARAT
OD	DIAMETRO ESTERNO	DIAMETRO EXTERIOR	YTTERE DIAMETER
OR	OPPURE	O	ELLER
ORD	ORDINARE	PIDASE	ORDER, REKVISITION
OS	EXTRA GRANDE	SOBRETAMANO	OEVERDIMENSIONERAD
PKG	IN CONFEZIONE DA	POR PAQUETE DE	I SATS ELLER PAKET
REAR	POSTERIORE	TRASERO	BAK, BAKRE
RH	DESTRA	DERECHA	HOGER
STD	STANDARD	NORMAL	STANDARD
SUB	SOSTITUITO PER	SUSTITUIDO POR	ERSATT MED
SUB FOR	SOSTITUISCE	SUSTITUCION PARA	ERSATTER
TK	SPESSORE	ESPESOR	TJOCKLEK
UP	SUPERIORE	SUPERIOR	OEVRE
US	EXTRA PICCOLO	SUBTAMANO	UNDERDIMENSIONERAD
USE WITH	USARE CON	USAR CON	ANVAND MED
W /	CON	CON	MED, INKLUSIVE
W/O	SENZA	SIN	UTAN, EXKLUSIVE
Z	NO. DENTI CORONA O PIGNONE	NUMERO DE DIENTES DE LOS ENGRANAJES	ANTAL TANDER PA DREV OCH KUGGHJUL

RXP9419

## SERIAL NUMBERS

EACH 8030 SERIES TRACTOR HAS THE FOLLOWING SERIAL NUMBER PLATES: BASIC TRACTOR, ENGINE, TRANSMISSION, COMFORTVIEW CAB AND MECHANICAL FRONT WHEEL DRIVE.

### BASIC TRACTOR SERIAL NUMBER (PRODUCT IDENTIFICATION NUMBER)

RXA0076529 -UN-27JUL04

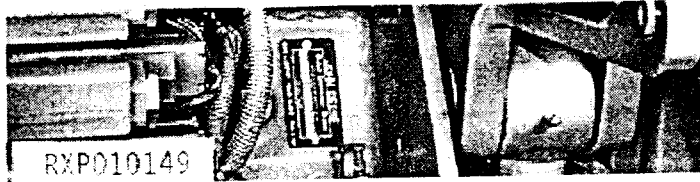


1. DESIGNATES TRACTOR MANUFACTURER
2. DESIGNATES TRACTOR MODEL
3. DESIGNATES TRANSMISSION TYPE
4. DESIGNATES TRACTOR SERIAL NUMBER
5. DESIGNATES UNIT TYPE

RW- JOHN DEERE WATERLOO WORKS  
8130  
P - POWER SHIFT  
D - IVT

TRACTOR

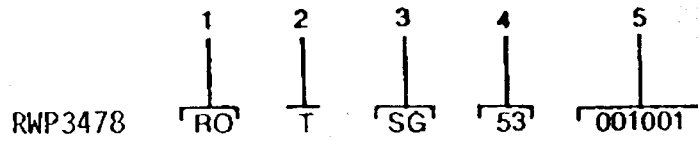
RXP010149 -UN-01JAN94



THE BASIC TRACTOR SERIAL NUMBER PLATE IS LOCATED AT THE REAR OF THE HITCH FRAME.

## TRANSMISSION SERIAL NUMBER

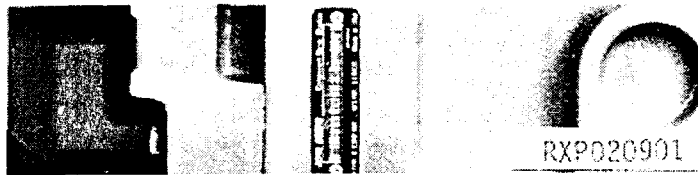
RWP3478 -UN-01JAN94



1. DESIGNATES TRANSMISSION MANUFACTURER
2. DESIGNATES TYPE
3. DESIGNATES TRANSMISSION TYPE
4. DESIGNATES INPUT TORQUE (ROUNDED TO NEAREST 10 NEWTON METERS)
5. DESIGNATES TRANSMISSION SERIAL NUMBER

RO- JOHN DEERE WATERLOO WORKS  
 T - TRANSMISSION  
 PF- POWER SHIFT  
 01-99 - 10-990 NM (7-730 LB-FT)

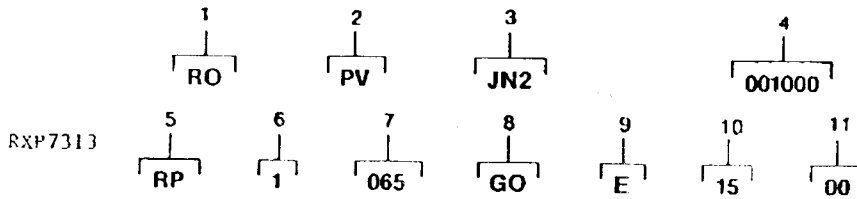
RXP020901 -UN-01JAN94



THE TRANSMISSION SERIAL NUMBER STAMPING IS LOCATED ON THE RIGHT-HAND SIDE OF THE TRANSMISSION.

## HYDRAULIC PUMP SERIAL NUMBER

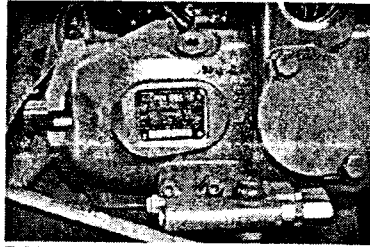
RXP7313 -UN-01JAN94



1. DESIGNATES MANUFACTURING FACTORY
2. DESIGNATES COMPONENT
3. DESIGNATES MODEL NUMBER
4. DESIGNATES COMPONENT NUMERIC NUMBER
5. DESIGNATES TYPE COMPONENT
6. DESIGNATES FAMILY
7. DESIGNATES SIZE
8. DESIGNATES PORT ARRANGEMENT
9. DESIGNATES SHAFT ROTATION
10. DESIGNATES STROKE CONTROL VALVE TYPE
11. NO SIGNIFICANCE

RO - JOHN DEERE WATERLOO WORKS  
 PV - PUMP VARIABLE  
 JN2- 65 CM3 (4 IN3)  
 RP - RADIAL PISTON PUMP  
 1 - FRAME SIZE  
 65 - 65 CM3  
 GO - PRIMARY HOUSING  
 E - EITHER  
 R - RIGHT  
 L - LEFT  
 15 - STROKE CONTROL VALVE CODE  
 00 - NO SIGNIFICANCE

XA0081329 -UN-09JUN05

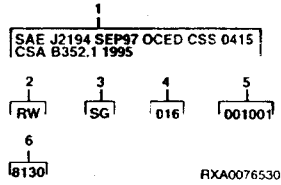


RXA0081329

THE HYDRAULIC PUMP SERIAL NUMBER PLATE IS LOCATED ON THE TOP RIGHT-HAND SIDE OF THE PUMP.

## COMFORTVIEW CAB SERIAL NUMBER

RXA0076530 -UN-28JUL04

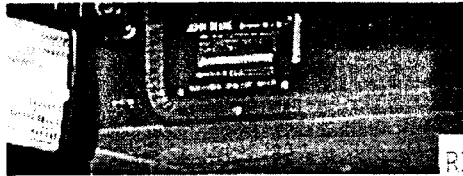


- 1. DESIGNATES CERTIFICATION
- 2. DESIGNATES CAB MANUFACTURER
- 3. DESIGNATES TYPE
- 4. DESIGNATES VERSION
- 5. DESIGNATES SERIAL NUMBER
- 6. DESIGNATES MODEL

CERTIFICATION DATA  
 RW - JOHN DEERE WATERLOO WORKS  
 SG - COMFORTVIEW CAB  
 016 - SIXTEENTH

8130, 8230, 8330, 8430 OR 8530

RXP020904 UN-01JAN94

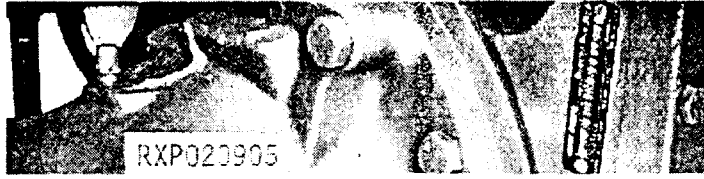


THE COMFORTVIEW CAB SERIAL NUMBER PLATE IS LOCATED ON THE RIGHT-HAND SIDE WINDOW AT THE FENDER LEVEL TOWARD THE REAR.

**JOHN DEERE MECHANICAL FRONT WHEEL DRIVE SERIAL NUMBER**

XP020905

-UN-01JAN94



THE SERIAL NUMBER PLATE IS LOCATED ON THE REAR RIGHT-HAND SIDE OF THE AXLE HOUSING.

## ENGINE SERIAL NUMBER PLATE

RGP11385

-UN-23JUN05



RGP11385

## ENGINE SERIAL NUMBER IS DEFINED BY 13 CHARACTERS

1- TWO LETTERS FOR ENGINE FACTORY DESIGNATION

RG: WATERLOO-USA

2- ONE DIGIT FOR NUMBER OF CYLINDERS

3- THREE DIGITS FOR DISPLACEMENT IN LITERS (EG: 090 FOR 9.0L)

4- ONE LETTER FOR:

- DESIGNATED ASPIRATION TYPE (UNTIL 01 APRIL 2005)

D: NATURALLY ASPIRATED

T: TURBOCHARGED

H: TURBOCHARGED WITH AIR-TO-AIR AFTERCOOLER

A: TURBOCHARGED WITH AIR-TO-WATER AFTERCOOLER

- DESIGNATED EMISSION LEVEL (SINCE 01 APRIL 2005)

B: NON-CERTIFIED ENGINE

C: TIER1/STAGE I EMISSION LEVEL

G: TIER2/STAGE II EMISSION LEVEL

L: TIER3/STAGE III EMISSION LEVEL

! FOR THE SIX DIGITS OF THE ACTUAL ENGINE NUMBER (5) COUNTING STARTS WITH 000001

5- SIX DIGITS

! IN THE PARTS CATALOG PAGES, ONLY THESE SIX DIGITS ARE SHOWN

## ENGINE TYPE IS DEFINED BY 9 ALPHA-NUMERICAL CHARACTERS

6- FOUR DIGITS WITH SAME DEFINITION AS SERIAL NUMBER

7- TWO LETTERS FOR USER (EG: RW= TRACTOR, HH OR HZ=COMBINE)

8- TWO DIGITS FOR VERSION (EG: 01)

**SERIAL NUMBER CODES**

THE FOLLOWING CODES ARE USED TO DESIGNATE THE SERIAL NUMBER TYPES IN GROUP HEADINGS AND FOOTNOTES BECAUSE OF LIMITED SPACE. THEY WILL BE USED ONLY WHEN THE TYPE IS DIFFERENT THAN THE SERIAL COLUMN HEADING SHOWN ON THE PAGE.

RG-ROLL-GARD  
 SB-SOUND-GARD BODY  
 SN-CAB SERIAL NUMBER  
 SHN-HYDRAULIC PUMP SERIAL NUMBER  
 TRN-TRACTOR SERIAL NUMBER  
 ST-POWER SHIFT TRANSMISSION SERIAL NUMBER  
 TVT-INFINITELY VARIABLE TRANSMISSION SERIAL NUMBER  
 S-INDEPENDENT LINK SUSPENSION SERIAL NUMBER

**SERIAL NUMBER LISTING INFORMATION**

SERIAL NUMBER INFORMATION IS LISTED TO SHOW ON WHICH MACHINES EACH PART CAN BE USED; FOR EXAMPLE:

- THE PART CAN BE USED ON ALL MACHINES.  
 000000- THE PART CAN BE USED ON ALL MACHINES BEGINNING WITH THE SERIAL NUMBER LISTED.  
 -000000 THE PART CAN BE USED ON ALL MACHINES UP TO AND INCLUDING THE SERIAL NUMBER LISTED.  
 000000-000000 THE PART CAN BE USED ON ALL MACHINES BETWEEN AND INCLUDING THE SERIAL NUMBERS LISTED.

WHEN XXXXXX'S ARE LISTED IN PLACE OF A SERIAL NUMBER, A SERIAL NUMBER CHANGE WAS MADE BUT THE EXACT SERIAL NUMBER WAS NOT AVAILABLE WHEN THE CATALOG WAS PRODUCED.



**GROUP HEADINGS AND OPTION ABBREVIATIONS**

THE FOLLOWING ABBREVIATIONS ARE USED IN GROUP HEADINGS AND FOOTNOTES BECAUSE OF LIMITED SPACE:

IMS-IMPLEMENT MANAGEMENT SYSTEM  
CIS-COMMONWEALTH OF INDEPENDENT STATES  
NAV-NORTH AMERICAN VERSION  
EV-EUROPEAN VERSION  
ILS-JOHN DEERE INDEPENDENT LINK SUSPENSION  
WW-WORLDWIDE

THROUGHOUT THIS CATALOG YOU WILL FIND PAGES THAT ARE DESIGNATED AS EUROPEAN VERSION (EV) NORTH AMERICAN VERSION (NAV) OR COMMONWEALTH OF INDEPENDENT STATES (CIS). THIS IS DONE TO HELP THE PARTS PERSON IN A FOREIGN COUNTRY DETERMINE CORRECT SERVICE PARTS BY RECOGNIZING THAT THERE MAY BE MORE THAN ONE VERSION

EUROPEAN VERSION (EV) AND COMMONWEALTH OF INDEPENDENT STATES (CIS) IS ALSO SHOWN AS A FOOTNOTE ON SOME PAGES. PARTS WITHOUT THIS FOOTNOTE ARE FOR NORTH AMERICAN VERSION (NAV). DECALS ARE IN ENGLISH UNLESS OTHERWISE SPECIFIED.

**QUANTITY COLUMN OR REMARKS COLUMN**

GENERALLY THE QUANTITY SHOWN IS FOR THE ENTIRE TRACTOR AT ANY GIVEN LOCATION. THERE ARE EXCEPTIONS AS IN WHEEL HARDWARE WHERE ONLY ENOUGH IS SHOWN FOR ONE WHEEL. THE FOLLOWING ABBREVIATIONS ARE USED IN THE REMARKS COLUMN:

NLR - NO LONGER REQUIRED  
NLA - NO LONGER AVAILABLE

NA - NOT APPLICABLE

**FI - FIELD INSTALLED**

FI IS AN OPTION THAT MUST BE ORDERED DIRECT FROM THE PRODUCING FACTORY.

**DIRECTION ARROW**

ARROWS ARE USED WITH ILLUSTRATIONS TO INDICATE THE FRONT OF THE UNIT. "RIGHT-HAND" AND "LEFT-HAND" SIDES ARE DETERMINED BY FACING IN THE DIRECTION OF MACHINE FORWARD TRAVEL.

**BOX-ENCLOSED ILLUSTRATIONS**

KEY NUMBER, SHOWN IN THE PARTS LIST, IS ASSIGNED TO A BOX ENCLOSING ALL PARTS SOLD AS A SERVICE ASSEMBLY.

**BOLT AND CAP SCREW STRENGTH IDENTIFICATION**

U.S. CUSTOMARY DIMENSIONED PRODUCT: BOLTS AND CAP SCREWS REQUIRED TO HAVE HIGH-STRENGTH QUALITIES EQUIVALENT TO SAE GRADE 8 ARE IDENTIFIED THROUGHOUT THIS CATALOG BY THE DESCRIPTION HS SAE 8. ALL STANDARD BOLTS AND CAP SCREWS ARE SAE GRADE 5.

METRIC DIMENSIONED PRODUCT: BOLTS AND CAP SCREWS REQUIRED TO HAVE HIGH-STRENGTH QUALITIES EQUIVALENT TO PROPERTY CLASS 10.9 ARE IDENTIFIED THROUGHOUT THIS CATALOG BY THE DESCRIPTION S 10.9. ALL STANDARD BOLTS AND CAP SCREWS ARE PROPERTY CLASS 8.8.

**JDM REMANUFACTURED COMPONENTS**

THE SERVICE PARTS LISTED IN THIS CATALOG ARE INTENDED FOR THE REPAIR OF ORIGINAL EQUIPMENT COMPONENTS. ALTHOUGH MOST SERVICE PARTS MAY BE USED TO REPAIR REMANUFACTURED COMPONENTS, THE REMANUFACTURING PROCESS MAY CHANGE PARTS SUFFICIENTLY SO THAT SERVICE PARTS ARE INADEQUATE OR NOT USABLE.

**TRADEMARKS**

THROUGHOUT THIS PARTS CATALOG, YOU WILL FIND THE FOLLOWING DEERE AND COMPANY TRADEMARKS:

CLIMATRAK™	COMFORTCOMMAND_TM
COMMANDARM_TM	COMMANDVIEW_TM
AUTOQUAD II_TM	TORQ-GARD PLUS 50®
TOUCHSET_TM	HY-GARD®
PERFORMANCE TRAK_TM II	QUIK-TATCH®
COMMANDCONTROL_TM	PATHFINDER_TM
POWERTECH®	FIELD CRUISE_TM
POWRQUAD_TM	ROW-TRAK_TM
SERVICE ADVISOR_TM	FIELD OFFICE_TM
GREENSTAR_TM	FOCUS_TM
JOHN DEERE INDEPENDENT LINK SUSPENSION_TM	

## SECTION INDEX

GENERAL INFORMATION.....	10
ENGINE.....	20
FAN AND RADIATOR.....	25
AIR AND FUEL TANK.....	35
ELECTRICAL CONNECTORS.....	40
ENGINE AND CHASSIS WIRING HARNESS.....	41
OPERATOR'S STATION ELECTRICAL.....	42
ALTERNATOR, STARTER, BATTERY AND BATTERY CABLE.....	43
LIGHTS.....	44
POWER SHIFT TRANSMISSION.....	51
INFINITELY VARIABLE TRANSMISSION.....	52
DIFFERENTIAL AND REAR PTO.....	53
MFWD.....	54
JOHN DEERE INDEPENDENT LINK SUSPENSION.....	55
STEERING AND BRAKES.....	60
HYDRAULICS.....	70
SELECTIVE CONTROL VALVE.....	71
FRONT HITCH.....	72
WHEELS, FRONT AXLES, SHEET METAL.....	80
OPERATOR'S STATION ACCESSORIES.....	90
OPERATOR'S STATION.....	91
SEAT.....	92
AUTOTRAC.....	93
DECALS.....	94
NUMERICAL INDEX.....	95

## ALPHABETICAL INDEX

	PAGE		PAGE
<b>A</b>			
D DRYER.....	90-6	ALARM, WARNING (EUROPEAN VERSION).....	42-6
D LINES.....	90-6	ALARM, WARNING (NORTH AMERICAN VERSION)(8130,8230,8330).....	42-2
CELEROMETER, SEAT SUSPENSION.....	92-8	ALARM, WARNING (NORTH AMERICAN VERSION)(8430,8530).....	42-4
ACCUMULATOR, CONTROL VALVE ASSEMBLY (ACTIVE SEAT SUSPENSION).....	92-16	ALTERNATOR.....	43-1
CUMULATORS (ILS).....	55-52	ALTERNATOR ADJUSTING STRAP.....	20-60
CUMULATORS, INDEPENDENT LINK SUSPENSION.....	55-55	ALTERNATOR BRACKETS.....	20-60
ACTIVE SEAT CONTROL VALVE ASSEMBLY.....	92-16	ALTERNATOR MOUNTING.....	20-60
ACTIVE SEAT SUSPENSION.....	92-6	ALTERNATOR MOUNTING BRACKETS.....	20-60
ACTIVE SEAT SUSPENSION.....	92-8	ANTENNA, RADIO.....	42-60
ACTIVE SEAT WIRING HARNESS.....	42-22	ANTENNA, RADIO.....	42-62
ACTUATOR, SEAT SUSPENSION.....	92-8	APERTURE, ROTARY BEACON LIGHT.....	42-66
ADAPTER PLUG, FIELD OFFICE.....	42-24	ARM STEERING.....	80-12
ADAPTER, AUXILIARY POWER STRIP.....	42-26	ARM, CLUTCH VALVE.....	51-12
APTER, BLOWER MOTOR.....	90-11	ARM, EXTREMITY WARNING LAMP.....	44-14
APTER, ELECTRICAL.....	42-24	ARM, EXTREMITY WARNING LAMP, 2.85M REGII.....	44-16
ADAPTER, PTO OUTPUT SHAFT (1 3/8" PTO).....	53-31	ARM, LOWER CONTROL (ILS).....	55-36
ADHESIVE.....	80-65	ARM, ROCKER.....	20-50
TERCOOLER.....	25-4	ARM, STEERING (MFWD) (8130, 8230, 8330).....	54-18
BRAKE AIR COMPRESSOR.....	60-68	ARM, STEERING (MFWD) (8430).....	54-20
BRAKE AIR COMPRESSOR GASKET KIT.....	60-70	ARM, UPPER CONTROL (ILS).....	55-34
AIR BRAKE AIR TANK.....	60-60	ARMREST BRACKET, R.H.....	92-18
AIR BRAKE BELT.....	60-68	ARMREST CONTROLLER UNIT (ACU).....	42-38
BRAKE BELT TENSIONER.....	60-68	ARMREST CONTROLLER UNIT (ACU)(PST).....	42-34
BRAKE CABLE.....	60-76	ARMREST CONTROLLER UNIT COVER.....	42-38
BRAKE CONTROL VALVE.....	60-56	ARMREST HOUSING.....	92-18
AIR BRAKE CONTROL VALVE BRACKET.....	60-58	ARMREST PLUG.....	42-36
AIR BRAKE COUPLER LINES (EUROPEAN VERSION).....	60-64	ARMREST SUPPORT PLATE, R.H.....	92-18
BRAKE COUPLER LINES (NORTH AMERICAN VERSION).....	60-62	ARMREST TO CAB WIRING HARNESS.....	42-46
AIR BRAKE COUPLERS (EUROPEAN VERSION).....	60-64	ARMREST, LH TIP-UP.....	92-4
BRAKE COUPLERS (NORTH AMERICAN VERSION).....	60-62	ARMRESTS, SEAT.....	92-4
BRAKE LEVER.....	60-76	ARTICULATED ARMREST.....	92-4
AIR BRAKE LEVER COVER.....	60-76	ASHTRAY.....	91-14
AIR BRAKE LINE (REAR).....	60-74	ASHTRAY INSERT.....	91-12
BRAKE LINES (FRONT).....	60-72	ASPIRATOR DRIVE PULLEY.....	25-16
BRAKE PRESSURE CONTROL VALVE.....	60-60	ASPIRATOR DRIVE SHAFT.....	25-16
BRAKE PRESSURE SWITCH.....	41-12	ASPIRATOR IMPELLER.....	25-16
AIR BRAKE WIRING HARNESS.....	41-12	ASPIRATOR INTAKE FLANGE.....	25-16
AIR CIRCULATION DUCT.....	90-12	ASPIRATOR INTAKE TUBE.....	25-16
CIRCULATION SEAL.....	90-12	ATC CONTROLLER MODULE.....	90-16
CLEANER ELEMENT, ENGINE.....	35-2	ATC WIRING HARNESS.....	42-14
AIR CLEANER HOUSING ENGINE.....	35-2	ATTENUATOR, BRAKE VALVE.....	60-42
AIR COMPRESSOR (AIR SEAT).....	92-10	ATTENUATOR, LATERAL (SEAT SUSPENSION).....	92-6
COMPRESSOR (SEAT SUSPENSION).....	92-6	AUTOTRAC WIRING HARNESS.....	93-8
COMPRESSOR GASKET KIT (AIR BRAKE).....	60-70	AUXILIARY DRIVE.....	20-56
AIR CONDITIONING COMPRESSOR.....	90-1	AUXILIARY DRIVE BELT.....	25-16
AIR CONDITIONING(MANUAL), WIRING HARNESS.....	42-15	AUXILIARY DRIVE COVER.....	20-56
FILTER RESTRICTION SENSOR.....	41-6	AUXILIARY DRIVE HUB (IVT).....	52-10
FILTER, CAB FRESH.....	90-10	AUXILIARY DRIVE PULLEY (IVT).....	52-10
FILTER, CAB RECIRCULATING.....	90-14	AUXILIARY DRIVE SHIELDS.....	25-16
AIR FILTER, CAB RECIRCULATING (W/ ATC).....	90-16	AUXILIARY DRIVE SUPPORT.....	25-16
AIR INTAKE.....	20-18	AUXILIARY POWER STRIP.....	42-26
INTAKE PIPES.....	35-4	AUXILIARY POWER STRIP ADAPTER.....	42-26
LINE SEAT KIT.....	92-13	AUXILIARY POWER STRIP BRACKET.....	42-26
SEAT SHOCK OBSORBER.....	92-10	AUXILIARY POWER STRIP CONNECTOR.....	42-26
AIR SEAT SUSPENSION.....	92-10	AUXILIARY POWER STRIP CAP.....	42-26
AIR SPRING SEAT KIT.....	92-12	AUXILIARY RESERVOIR, HYDRAULIC.....	70-30
TANK, AIR BRAKE.....	60-60	AUXILIARY SELECTIVE CONTROL VALVE W/ DELUXE END COVER.....	71-8
TEMPERATURE SENSOR (ATC).....	42-14	AUXILLARY RESERVOIR, SEAT SUSPENSION.....	92-8
		AXLE HOUSING (R.H.) (MFWD) (8130, 8230, 8330).....	54-10
		AXLE HOUSING (R.H.) (MFWD) (8430).....	54-12
		AXLE HOUSING (8130) (100MM).....	53-14
		AXLE HOUSING (8130,8230,8330)(110MM).....	53-16

## ALPHABETICAL INDEX - CONTINUED

	PAGE		PAGE
AXLE HOUSING (8130,8230,8330)(120MM) .....	53-18	BLOWER MOTOR (AQS) (EUROPEAN VERSION) .....	42-6
AXLE HOUSING (8430,8530) (120MM) .....	53-20	BLOWER MOTOR (AQS) (NORTH AMERICAN VERSION)(8130,8230,8330) .....	42-2
AXLE HOUSING W/CASE (L.H.) (MFWD) (8130, 8230, 8330) .....	54-6	BLOWER MOTOR (AQS) (NORTH AMERICAN VERSION)(8430,8530) .....	42-4
AXLE HOUSING W/CASE (L.H.) (MFWD) (8430) .....	54-8	BLOWER MOTOR HOUSING .....	90-11
AXLE SHAFT (8130) (100MM) .....	53-14	BLOWER MOTOR, ADAPTER .....	90-11
AXLE SHAFT (8130,8230,8330)(110MM) .....	53-16	BLOWER MOTOR, CAB (EUROPEAN VERSION) .....	42-7
AXLE SHAFT (8130,8230,8330)(120MM) .....	53-18	BLOWER MOTOR, CAB (NORTH AMERICAN VERSION) .....	42-3
AXLE SHAFT (8430,8530) (120MM) .....	53-20	BLOWER MOTOR, CAB (NORTH AMERICAN VERSION) .....	42-5
<b>B</b>		BLOWER MOTOR, PRESSURIZER (EUROPEAN VERSION) .....	42-6
BACK UP ALARM BRACKET .....	41-13	BLOWER MOTOR, PRESSURIZER (EUROPEAN VERSION) .....	42-7
BACK-UP ALARM KIT .....	41-13	BLOWER MOTOR, PRESSURIZER (NORTH AMERICAN VERSION) .....	42-3
BACK-UP ALARM WIRING HARNESS .....	41-13	BLOWER MOTOR, PRESSURIZER (NORTH AMERICAN VERSION) .....	42-5
BALL STUD ASSEMBLY (ILS) .....	55-34	BLOWER MOTOR, PRESSURIZER (8130,8230, 8330)(NORTH AMERICAN VERSION) .....	42-2
BALL STUD ASSEMBLY (ILS) .....	55-36	BLOWER MOTOR, PRESSURIZER (8430,8530) (NORTH AMERICAN VERSION) .....	42-4
BALL STUD BOOT (ILS) .....	55-34	BLOWER SWITCH CONNECTOR .....	40-9
BALL STUD BOOT (ILS) .....	55-36	BLOWER, PRESSURIZER .....	90-11
BALLAST, HEADLIGHT .....	44-5	BOLT, SCV TIE .....	71-1
BASE, RADIO ANTENNA .....	42-62	BOOT ATTACHING HARDWARE (AIR SEAT) .....	92-10
BATTERY .....	43-4	BOOT, BALL STUD (ILS) .....	55-34
BATTERY BOX COVER .....	43-4	BOOT, BALL STUD (ILS) .....	55-36
BATTERY CABLE TAG .....	94-8	BOOT, BRAKE VALVE .....	60-28
BATTERY CABLE TAG (FRENCH) .....	94-14	BOOT, REAR FENDER WORK LIGHT .....	44-12
BATTERY CABLE TAG (SPANISH) .....	94-10	BOOT, REAR FENDER WORK LIGHT .....	44-13
BATTERY CABLE, NEGATIVE .....	43-6	BRACE, REAR FENDER .....	91-18
BATTERY CABLE, POSITIVE .....	42-18	BRACKET, A/C LINES .....	90-6
BATTERY CABLE, POSITIVE .....	43-6	BRACKET, AIR BRAKE AIR TANK .....	60-60
BATTERY CLAMP BRACKET .....	43-4	BRACKET, AIR BRAKE CONTROL VALVE .....	60-58
BATTERY DISCONNECT KIT (EUROPEAN ONLY) .....	43-5	BRACKET, AUXILIARY POWER STRIP .....	42-26
BATTERY GROUND CABLE, CAB AND CHASSIS .....	42-20	BRACKET, BACK-UP ALARM .....	41-13
BEARING QUILL, DIFFERENTIAL .....	53-12	BRACKET, BATTERY CLAMP .....	43-4
BEARING SUPPORT HOUSING (IVT) (FRONT) .....	52-6	BRACKET, BRAKE VALVE .....	60-28
BEARING, CRANKSHAFT THRUST .....	20-46	BRACKET, CAB FRESH AIR FILTER .....	90-10
BEARINGS, CONNECTING ROD .....	20-48	BRACKET, CENTER LINK (EUROPEAN VERSION) .....	70-60
BEARINGS, MAIN .....	20-46	BRACKET, CENTER LINK (NORTH AMERICAN VERSION) .....	70-58
BELT, AIR BRAKE .....	60-68	BRACKET, COLD WEATHER START .....	41-14
BELT, AUXILIARY DRIVE .....	25-16	BRACKET, COOLANT RECOVERY TANK .....	25-7
BELT, COMPRESSOR .....	25-16	BRACKET, DIRECTION INDICATOR (CAB) (EUROPEAN VERSION) .....	44-10
BELT, FAN DRIVE .....	25-8	BRACKET, ENGINE SPEED CONTROL (ARMREST) .....	42-32
BEVEL GEAR, DIFFERENTIAL (MFWD) (8130, 8230, 8330) .....	54-22	BRACKET, EXTREMITY WARNING LAMP .....	44-14
BEVEL GEAR, DIFFERENTIAL (ILS) .....	55-16	BRACKET, EXTREMITY WARNING LAMP, 2.85M R EGI .....	44-16
BEVEL GEAR, DIFFERENTIAL (MFWD) (8430) .....	54-24	BRACKET, FENDER (ILS) .....	55-60
BEVEL PINION SHAFT, DIFFERENTIAL .....	53-12	BRACKET, FENDER, L.H. (CAB) .....	91-10
BEVEL PINION SHAFT, DIFFERENTIAL (MFWD) (8130, 8230, 8330) .....	54-22	BRACKET, FIRE EXTINGUISHER .....	80-64
BEVEL PINION SHAFT, DIFFERENTIAL (MFWD)(8430) .....	54-24	BRACKET, FRONT HEADLIGHTS (EUROPEAN VERSION) .....	44-7
BEVEL PINION SHAFT, DIFFERENTIAL (ILS) .....	55-16	BRACKET, FRONT HEADLIGHTS (EUROPEAN VERSION) .....	44-8
BEVEL PINION, DIFFERENTIAL (MFWD) (8130, 8230, 8330) .....	54-22	BRACKET, FRONT HEADLIGHTS (UNITED KINGDOM) .....	44-6
BEVEL PINION, DIFFERENTIAL (ILS) .....	55-16	BRACKET, GPS RECEIVER, GREENSTAR .....	41-8
BEVEL PINION, DIFFERENTIAL (MFWD) (8430) .....	54-24	BRACKET, GREENSTAR RECEIVER .....	41-10
BEVERAGE HOLDER .....	91-50	BRACKET, HITCH CONTROL SWITCH .....	41-18
BEZEL BRACKET, RADIO .....	42-54		
BEZEL, RADIO .....	42-54		
BEZEL, ROTARY BEACON LIGHT .....	42-66		
BEZELS, HEADLAMP .....	80-54		
BLOCK, CYLINDER .....	20-44		
BLOWER MOTOR .....	90-11		

	PAGE
BRACKET, HYDRAULIC CONTROL LEVER (ARMREST)	42-40
BRACKET, HYDRAULIC TRAILER BRAKE VALVE	60-54
BRACKET, KEY AND ETHER AID SWITCHES	42-31
BRACKET, LOAD CENTER	42-74
BRACKET, MOBILE RADIO	42-58
BRACKET, REAR FENDER WORK LIGHT	44-12
BRACKET, REAR FENDER WORK LIGHT	44-13
BRACKET, REAR ROOF WORK LAMP	44-11
BRACKET, ROCKSHAFT POSITION SENSOR	70-36
BRACKET, ROOF SIDE WORK LAMP (CAB)	44-3
BRACKET, ROTARY BEACON LIGHT	42-66
BRACKET, SELECTIVE CONTROL (ARMREST)	42-42
BRACKET, STEERING CYLINDER LINE (W/O MFWD) (8130)	60-26
BRACKET, STEERING CYLINDER LINE (MFWD)	60-24
BRACKET, STEERING VALVE	60-9
BRACKET, TOOLBOX	80-48
BRACKET, TRANSMISSION CONTROL (ARMREST) (PST)	42-34
BRACKET, VALVE (AUTOTRAC)	93-12
BRACKET, WAGON HITCH	70-84
BRACKET, WORK LAMP (UPPER MID-BODY)	44-1
BRACKETS, ALTERNATOR ADJUSTING	20-60
BRAKE COOLING VALVE (50K/IVT/LS/EV)	70-14
BRAKE COOLING VALVE/HYD PUMP LINES (XXXXXX-)	70-24
BRAKE COVERS KIT	60-28
BRAKE DISK	60-40
BRAKE DISK, PARK	51-18
BRAKE DISK, REVERSE	51-20
BRAKE LIGHT WIRING HARNESS	42-25
BRAKE MAKE-UP CHECK VALVE KIT	60-36
BRAKE OIL LINES (REAR)	60-46
BRAKE PEDALS	60-38
BRAKE PISTON	60-40
BRAKE PISTON (SECONDARY BRAKE) (EUROPEAN VERSION)	60-41
BRAKE PISTON, PARK	51-18
BRAKE PISTON, PTO	53-6
BRAKE PISTON, PTO (8130, 8230)	53-4
BRAKE PISTON, REVERSE	51-20
BRAKE PLATE	60-40
BRAKE PLATE (SECONDARY BRAKE) (EUROPEAN VERSION)	60-41
BRAKE SWITCH	42-52
BRAKE SWITCH (EUROPEAN VERSION)	42-7
BRAKE SWITCH (NORTH AMERICAN VERSION)	42-3
BRAKE SWITCH (NORTH AMERICAN VERSION)	42-5
BRAKE SWITCH RETAINER	42-52
BRAKE VALVE	60-30
BRAKE VALVE ATTENUATOR	60-42
BRAKE VALVE ATTENUATOR LINES	60-42
BRAKE VALVE BRACKET	60-28
BRAKE VALVE HARDWARE KIT	60-34
BRAKE VALVE KIT, SINGLE LINE	60-66
BRAKE VALVE LINES	60-44
BRAKE VALVE OVERHAUL KIT	60-32
BEATHER, FUEL TANK	35-14
BULB, CAB WORKLAMP (UPPER MID-BODY)	44-1
BULB, CONSOLE LIGHT	42-69
BULB, CORNER POST DISPLAY	42-57
BULB, DIRECTION INDICATOR LAMP (EUROPEAN VERSION)	44-10
BULB, DOME LIGHT	42-68
BULB, EXTREMITY WARNING LAMP	44-14

	PAGE
BULB, EXTREMITY WARNING LAMP	44-16
BULB, HEADLIGHT (EUROPEAN VERSION)	44-7
BULB, HEADLIGHT (EUROPEAN VERSION)	44-8
BULB, HEADLIGHT (UNITED KINGDOM)	44-6
BULB, HOOD DELUXE HEADLIGHT	44-5
BULB, INSTRUMENT CONTROL PANEL (ICU)	42-30
BULB, REAR FENDER WORK LIGHT	44-12
BULB, REAR FENDER WORK LIGHT	44-13
BULB, REAR ROOF WORK LAMP	44-11
BULB, ROOF SIDE WORK LAMP	44-3
BULB, ROOF WARNING LIGHT (NORTH AMERICAN VERSION)	44-9
BULB, ROTARY BEACON LIGHT	42-66
BULB, SCV SETUP PANEL (SUP)	42-30
BULB, TAIL/STOP	44-18
BULB, TAIL/STOP (EUROPEAN VERSION)	44-19
BULB, TURN SIGNAL/HAZARD WARNING	44-18
BULB, TURN SIGNAL/HAZARD WARNING (EUROPEAN VERSION)	44-19
BUMPER, DRAFT LINK	70-55
BUMPER, DRAFT LINK (HEAVY DUTY KIT)	70-54
BUMPER, SEAT SUSPENSION	92-6
BUSHING, FRONT AXLE (8130)	80-1
BUSHING, HITCH FRAME	70-48
BYPASS START LABEL	43-2

C

CAB	91-1
CAB AND CHASSIS BATTERY GROUND CABLE	42-20
CAB AND CHASSIS GROUND CABLE	42-20
CAB CONTROL, TRAILER AIR BRAKE	60-50
CAB FRESH AIR FILTER	90-10
CAB HEADLINER	91-40
CAB MOUNTS	91-2
CAB POWER CABLE	42-18
CAB REAR COVER	80-66
CAB RECIRCULATING FILTER	90-14
CAB RECIRCULATING FILTER	90-16
CAB REPLACEMENT	91-1
CAB, CONTROLLER (CAB/ASU)	42-8
CABLE, AIR BRAKE	60-76
CABLE, CAB AND CHASSIS GROUND	42-20
CABLE, CAB POWER	42-18
CABLE, CLUTCH	51-2
CABLE, MOBILE RADIO ANTENNA	42-58
CABLE, PICK-UP HITCH	70-100
CABLE, RADIO ANTENNA	42-62
CABLE, TEMPERATURE CONTROL	90-14
CABLE, TEMPERATURE CONTROL(ATC)	90-16
CABLE, WAGON HITCH	70-92
CAM COVER PLATE	20-74
CAM FOLLOWER	20-50
CAN TERMINATING DEVICE	41-4
CAN TERMINATING DEVICE	42-6
CAN TERMINATING DEVICE (8130,8230,8330)	42-2
CAN TERMINATING DEVICE (8430,8530)	42-4
CAP, AUXILIARY POWER STRIP	42-26
CAP, FUEL	35-14
CAP, FUEL TANK	35-14
CAP, MAIN BEARING	20-44
CAP, POSITIVE TERMINAL	43-6
CAP, W/O RADIO	42-62

## ALPHABETICAL INDEX - CONTINUED

	PAGE		PAGE
CARRIER DRIVE GEAR (IVT).....	52-16	CLUTCH (MFWD)	
CARRIER, PLANET PINION (ILS)		(8130, 8230, 8330).....	51-34
(8130, 8230, 8330).....	55-30	CLUTCH (MFWD) (8430).....	51-36
CARRIER, PLANET PINION (ILS)		CLUTCH ASSEMBLY (IVT).....	52-20
(8430, 8530).....	55-32	CLUTCH CABLE.....	51-2
CARRIER, PLANET PINION (IVT).....	52-27	CLUTCH COVER (MFWD)	
CARRIER, PLANET PINION (IVT).....	52-29	(8130, 8230, 8330).....	51-34
CARRIER, PLANET PINION (IVT).....	52-31	CLUTCH COVER (MFWD) (8430).....	51-36
CARRIER, PLANET PINION (MFWD)		CLUTCH DISENGAGED SWITCH.....	51-10
(8130, 8230, 8330).....	54-14	CLUTCH DRUM (ILS).....	55-6
CARRIER, PLANET PINION (MFWD) (8430).....	54-16	CLUTCH DRUM (MFWD)	
CARRIER, PLANET PINION (8130)		(8130, 8230, 8330).....	51-34
(100MM).....	53-14	CLUTCH DRUM (MFWD) (8430).....	51-36
CARRIER, PLANET PINION (8130,8230,8330)		CLUTCH DRUM, PTO.....	53-6
(110MM).....	53-16	CLUTCH DRUM, PTO (8130, 8230).....	53-4
CARRIER, PLANET PINION (8130,8230,8330)		CLUTCH HUB, PTO.....	53-6
(120MM).....	53-18	CLUTCH HUB, PTO (8130, 8230).....	53-4
CARRIER, PLANET PINION (8430,8530)		CLUTCH PEDAL.....	51-2
(120MM).....	53-20	CLUTCH UNIT IDLER SHAFT (IVT).....	52-30
CARTRIDGES, CONTROL VALVE MANIFOLD		CLUTCH VALVE ARM.....	51-12
(ILS).....	55-50	CLUTCH VALVE KIT.....	51-12
CARTRIDGES, MANIFOLD (ILS).....	55-52	CLUTCH, PTO.....	53-6
CARTRIDGES, MANIFOLD (ILS)		CLUTCH, PTO (8130, 8230).....	53-4
(50K/IVT/EV).....	55-44	CLUTCH, STARTING MOTOR.....	43-2
CASE DRAIN COUPLER KIT, FLUSH FACE.....	70-108	COIL, MANIFOLD SOLENOID VALVE (ILS).....	55-42
CASE, DIFFERENTIAL (ILS).....	55-8	COIL, MANIFOLD SOLENOID VALVE (ILS)	
CASE, DIFFERENTIAL (MFWD)		(50K/IVT/EV).....	55-44
(8130, 8230, 8330).....	54-6	COLD WEATHER START BRACKET.....	41-14
CASE, DIFFERENTIAL (MFWD) (8430).....	54-8	COLD WEATHER START HEATER.....	41-14
CASE, DIFFERENTIAL (REAR).....	53-10	COLD WEATHER START KIT.....	41-14
CASE, TRANSMISSION		COLD WEATHER START WIRING HARNESS.....	41-14
(8130, 8230, 8330).....	51-38	COLD WEATHER STARTING AID.....	20-42
CASE, TRANSMISSION (ILS).....	55-2	COLD WEATHER STARTING AID.....	35-10
CASE, TRANSMISSION (8430).....	51-40	COLUMN, STEERING.....	60-2
CAST AND HEAVY CAST REAR WHEEL WEIGHTS.....	80-43	COMPLETE SEAT (ACTIVE W/TIP-UP ARM).....	92-1
CAST REAR WHEELS (HEAVY DUTY)		COMPLETE SEAT (AIR SEAT).....	92-1
(8130, 8230, 8330).....	80-26	COMPRESSOR BELT.....	25-16
CAST REAR WHEELS (HEAVY DUTY)		COMPRESSOR CLUTCH.....	90-4
(8430, 8530).....	80-28	COMPRESSOR DUST COVER.....	90-4
CAST REAR WHEELS (NAV)		COMPRESSOR HARDWARE KIT.....	90-3
(8130, 8230, 8330).....	80-24	COMPRESSOR, A/C.....	90-1
CAST REAR WHEELS, HUB (HEAVY DUTY)		COMPRESSOR, AIR BRAKE AIR.....	60-68
(8130, 8230, 8330).....	80-26	CONDENSER.....	25-4
CAST REAR WHEELS, HUB (HEAVY DUTY)		CONDENSER, FUEL COOLER.....	35-12
(8430, 8530).....	80-28	CONDUIT.....	40-10
CENTER LINK (EUROPEAN VERSION).....	70-60	CONNECTING ROD.....	20-48
CENTER LINK (NORTH AMERICAN VERSION).....	70-58	CONNECTING ROD BEARINGS.....	20-48
CHAIN, IMPLEMENT SAFETY.....	70-82	CONNECTING RODS AND PISTON.....	20-48
CHASSIS WIRING HARNESS (AUTOTRAC).....	93-10	CONNECTOR, BLOWER SWITCH.....	40-9
CHECK VALVE KIT, BRAKE MAKE-UP.....	60-36	CONNECTOR, ELECTRICAL.....	40-8
CHECK VALVE, CONTROL VALVE		CONNECTOR, METRI-PACK.....	40-6
(ACTIVE SEAT).....	92-16	CONNECTOR, NINE-PIN IMPLEMENT FEEDBACK.....	41-16
CHOCK BLOCK HOLDER.....	80-68	CONNECTOR, REAR WINDSHIELD WIPE R.....	40-9
CIGAR LIGHTER.....	42-28	CONNECTOR, START SWITCH.....	40-9
CIRCUIT BOARD COVER (ARMREST)(PST).....	42-34	CONNECTOR, WEATHERPACK.....	40-2
CLAMP, HALF, ROTARY BEACON LIGHT.....	42-66	CONNECTORS, METRI-PACK.....	40-4
CLAMP, HEATER HOSE.....	90-8	CONSOLE CONTROLS.....	42-28
CLAMP, ROCKER ARM SHAFT.....	20-50	CONSOLE LIGHT (EUROPEAN VERSION).....	42-6
CLEVIS, DRAWBAR (EUROPEAN VERSION).....	70-80	CONSOLE LIGHT HOUSING.....	42-69
CLEVIS, DRAWBAR(NORTH AMERICAN VERSION)		CONSOLE WIRING HARNESS.....	42-27
(CATEGORY IV) (8430, 8530).....	70-78	CONSOLE, RIGHT-HAND.....	91-12
CLEVIS, DRAWBAR(NORTH AMERICAN VERSION)		CONTROL ARM, LOWER (ILS).....	55-36
(8130, 8230, 8330).....	70-76	CONTROL ARM, UPPER (ILS).....	55-34
CLOCK (EUROPEAN VERSION).....	42-28	CONTROL CONSOLE.....	91-12
CLOTH BACKREST, SEAT.....	92-2	CONTROL LEVER, SINGLE.....	42-48
CLOTH SEAT CUSHION.....	92-2	CONTROL VALVE ACCUMULATOR	
CLUTCH (ILS).....	55-6	(ACTIVE SEAT).....	92-16

ALPHABETICAL INDEX - CONTINUED

	PAGE		PAGE
CYLINDER, STEERING (ADJUSTABLE AXLE)	60-16	DIFFERENTIAL COVER	
(8130) (PST).....		(R.H.) (ILS) (W/ BRAKES) (50K/IVT/EV).....	55-22
CYLINDER, STEERING (ADJUSTABLE AXLE)	60-17	DIFFERENTIAL COVER (ILS).....	55-16
(8130) (PST).....		DIFFERENTIAL DISK (ILS).....	55-16
CYLINDER, STEERING (ILS).....	55-40	DIFFERENTIAL DISK (MFWD)	
CYLINDER, STEERING (MFWD)	60-18	(8130, 8230, 8330).....	54-22
(8130, 8230, 8330).....		DIFFERENTIAL DISK (MFWD)(8430).....	54-24
CYLINDER, STEERING (MFWD)	60-20	DIFFERENTIAL DRIVE SHAFT OUTPUT	
(8130, 8230, 8330).....		GEAR (ILS).....	55-8
CYLINDER, STEERING (MFWD)	60-19	DIFFERENTIAL HOUSING (ILS).....	55-16
(8430).....		DIFFERENTIAL HOUSING (MFWD)	
CYLINDER, STEERING (MFWD)	60-21	(8130, 8230, 8330).....	54-22
(8430).....		DIFFERENTIAL HOUSING (MFWD)	
CYLINDER, STEERING ATTACHING PINS (MFWD).....	60-23	(8430).....	54-24
CYLINDER, SUSPENSION (ILS).....	55-52	DIFFERENTIAL HOUSING COVER	
CYLINDER, SUSPENSION (ILS).....	55-54	(MFWD) (8130, 8230, 8330).....	54-22
CYLINDERS, PICK-UP HITCH.....	70-96	DIFFERENTIAL HOUSING COVER (MFWD)	
		(8430).....	54-24
		DIFFERENTIAL INPUT SHAFT (MFWD)	
		(8130, 8230, 8330).....	54-2
		DIFFERENTIAL INPUT SHAFT (MFWD) (8430).....	54-4
		DIFFERENTIAL LOCK OIL LINES	
		(ILS/IVT/50K/EV).....	55-18
		DIFFERENTIAL OUTPUT YOKE	
		(L.H.) (ILS).....	55-24
		DIFFERENTIAL OUTPUT YOKE	
		(L.H.) (ILS) (W/ BRAKES) (50K/IVT/ILS).....	55-26
		DIFFERENTIAL OUTPUT YOKE	
		(R.H.) (ILS).....	55-20
		DIFFERENTIAL OUTPUT YOKE	
		(R.H.) (ILS) (W/ BRAKES) (50K/IVT/EV).....	55-22
		DIFFERENTIAL PLATE (ILS).....	55-16
		DIFFERENTIAL SEPARATOR PLATE	
		(MFWD) (8130, 8230, 8330).....	54-22
		DIFFERENTIAL SEPARATOR PLATE	
		(MFWD)(8430).....	54-24
		DIFFERENTIAL SPIRAL BEVEL GEAR (ILS).....	55-16
		DIFFERENTIAL SPIRAL BEVEL GEAR W/SHAFT	
		(MFWD) (8130, 8230, 8330).....	54-22
		DIFFERENTIAL SPIRAL BEVEL GFAR W/SHAFT	
		(MFWD)(8430).....	54-24
		DIFFERENTIAL (REAR) BEARING QUILL.....	53-12
		DIFFERENTIAL (REAR) BEVEL PINION SHAFT.....	53-12
		DIFFERENTIAL (REAR) CASE.....	53-10
		DIFFERENTIAL (REAR) DRIVESHFT INPUT QUILL.....	53-8
		DIFFERENTIAL (REAR) HOUSING.....	53-12
		DIFFERENTIAL (REAR) HOUSING COVER.....	53-12
		DIFFERENTIAL (REAR) HUB.....	53-12
		DIFFERENTIAL (REAR) OUTPUT SHAFT COUPLER.....	53-8
		DIFFERENTIAL (REAR) QUILL.....	53-12
		DIFFERENTIAL (REAR) SPIRAL BEVEL GEAR.....	53-22
		DIFFERENTIAL (REAR) SPIRAL BEVEL SHAFT.....	53-22
		DIFFERENTIAL, LOCKING (MFWD)	
		(8430).....	54-24
		DIFFUSER, ILS.....	55-55
		DIFFUSER, MFWD.....	55-55
		DIGITAL TACHOMETER.....	91-16
		DIODE, LOAD CENTER.....	42-74
		DIPSTICK, OIL (ALL) NO 8430 MFWD.....	20-40
		DIPSTICK, OIL (HRW04) 8430 MFWD ONLY.....	20-41
		DIRECTION INDICATOR	
		BRACKET (CAB) (EUROPEAN VERSION).....	44-10
		DIRECTION INDICATOR LAMP (CAB) (EUROPEAN	
		VERSION).....	44-10
		DISK, BRAKE.....	60-40
		DISK, DIFFERENTIAL (ILS).....	55-16

D

DAMPENER, TORSIONAL.....	25-14
DEAERATION HOSES.....	25-2
DEAERATION TANK.....	25-2
DECAL, JOHN DEERE (FRONT SCREEN).....	80-54
DECAL, STANDARD FRONT LIGHT BEZEL.....	44-3
DEFLECTOR, FAN.....	25-6
DEFROST LOUVERS.....	91-8
DELUXE SCV END COVER KIT.....	71-1
DEVICE, CAN TERMINATING.....	41-4
DEVICE, CAN TERMINATING.....	42-6
DEVICE, CAN TERMINATING	
(8130,8230,8330).....	42-2
DEVICE, CAN TERMINATING	
(8430,8530).....	42-4
DIFFERENTIAL (MFWD)	
(8130, 8230, 8330).....	54-22
DIFFERENTIAL BEVEL GEAR	
(MFWD) (8130, 8230, 8330).....	54-22
DIFFERENTIAL BEVEL GEAR (ILS).....	55-16
DIFFERENTIAL BEVEL GEAR (MFWD)	
(8430).....	54-24
DIFFERENTIAL BEVEL PINION	
(MFWD) (8130, 8230, 8330).....	54-22
DIFFERENTIAL BEVEL PINION (ILS).....	55-16
DIFFERENTIAL BEVEL PINION (MFWD)	
(8430).....	54-24
DIFFERENTIAL BEVEL PINION SHAFT	
(MFWD) (8130, 8230, 8330).....	54-22
DIFFERENTIAL BEVEL PINION SHAFT	
(MFWD)(8430).....	54-24
DIFFERENTIAL BEVEL PINION SHAFT (ILS).....	55-16
DIFFERENTIAL CASE (ILS).....	55-8
DIFFERENTIAL CASE (MFWD)	
(8130, 8230, 8330).....	54-6
DIFFERENTIAL CASE (MFWD) (8430).....	54-8
DIFFERENTIAL CASE COVER (MFWD)	
(8130, 8230, 8330).....	54-2
DIFFERENTIAL CASE COVER (MFWD) (8430).....	54-4
DIFFERENTIAL CASE GASKET (ILS).....	55-10
DIFFERENTIAL CASE SKID PLATE (ILS).....	55-12
DIFFERENTIAL COVER	
(L.H.) (ILS).....	55-24
DIFFERENTIAL COVER	
(L.H.) (ILS) (W/ BRAKES) (50K/IVT/ILS).....	55-26
DIFFERENTIAL COVER	
(R.H.) (ILS).....	55-20



## ALPHABETICAL INDEX - CONTINUED

	PAGE		PAGE
DISK, DIFFERENTIAL (MFWD) (8130, 8230, 8330)	54-22	DRIVE, SPUR GEAR (MFWD) (8430)	54-4
DISK, DIFFERENTIAL (MFWD) (8430)	54-24	DRIVE, VARIABLE FAN WITH SHEAVES	25-10
DISK, PARK BRAKE	51-18	DRIVER, BLOWER MOTOR	90-16
DISK, REVERSE BRAKE	51-20	DRIVESHAFT INPUT QUILL, DIFFERENTIAL	53-8
DISKS, SECONDARY BRAKE (EUROPEAN VERSION)	60-41	DRIVESHAFT, PTO (8130, 8230, 8330)	51-42
DOMELIGHT	42-68	DRIVESHAFT, PTO (8430)	51-44
DOMELIGHT SWITCH	42-68	DRIVESHAFT, TRANSMISSION OUTPUT (8130, 8230, 8330)	51-42
DOMESWITCH, DOOR	42-51	DRIVESHAFT, TRANSMISSION OUTPUT (8430)	51-44
DOORHANDLE	91-36	DRUM, CLUTCH (ILS)	55-6
DOORHANDLE WITH SECURITY LOCK (PARTS KIT)	91-38	DRUM, CLUTCH (MFWD) (8130, 8230, 8330)	51-34
DOORHANDLE, LEFT HAND (014367- )	91-34	DRUM, CLUTCH (MFWD) (8430)	51-36
DOORHINGE, LEFT HAND (014367- )	91-34	DRUM, COUNTERSHAFT	51-26
DOORLATCH	91-36	DRUM, INPUT SHAFT	51-24
DOORLIGHT SWITCH (EUROPEAN VERSION)	42-6	DRUM, OUTPUT SHAFT	51-28
DOOR, LEFT-HAND (014367- )	91-34	DRUM, OUTPUT SHAFT	51-30
DRAFT LINK BUMPER	70-55	DRUM, PTO CLUTCH	53-6
DRAFT LINK BUMPER (HEAVY DUTY KIT)	70-54	DRUM, PTO CLUTCH (8130, 8230)	53-4
DRAFT LINK HITCH STABILIZER	70-56	DUAL BEAM RADAR	41-11
DRAFT LINK POTENTIOMETER	70-38	DUAL HUB EXTENSION KITS	80-42
DRAFT LINK SUPPORT	70-38	DUAL PRESSURE SWITCH (ATC)	42-14
DRAFT LINKS	70-56	DUAL, (MFWD) (10 BOLT 16 POSITION)	80-23
DRAIN LINE, SELECTIVE CONTROL VALVE	71-20	DUCT, AIR CIRCULATION	90-12
DRAWBAR CLEVIS (EUROPEAN VERSION)	70-80		
DRAWBAR CLEVIS (NORTH AMERICAN VERSION) (CATEGORY IV) (8430, 8530)	70-78	E	
DRAWBAR CLEVIS (NORTH AMERICAN VERSION) (8130, 8230, 8330)	70-76	EGR	20-76
DRAWBAR CONVERSION KIT (CATEGORY III TO CATEGORY IV HEAVY DUTY)	70-72	EH VALVE (AUTOTRAC)	93-5
DRAWBAR CONVERSION KIT (CATEGORY IV TO CATEGORY IV HEAVY DUTY)	70-74	EH, OPTIONAL CONTROLLER	42-11
DRAWBAR FRONT SUPPORT (NA VERSION) (CATEGORY III)(8130, 8230, 8330)	70-66	EH, OPTIONAL CONTROLLER WIRING HARNESS	42-11
DRAWBAR FRONT SUPPORT (NA VERSION) (CATEGORY IV) (8430, 8530)	70-68	ELECTRICAL ADAPTER	42-24
DRAWBAR FRONT SUPPORT, HEAVY DUTY (CATEGORY IV)	70-70	ELECTRICAL CONNECTOR	40-8
DRAWBAR RETAINER (NORTH AMERICAN VERSION) (CAT IV) (8430, 8530)	70-68	ELECTRICAL CONNECTORS AND TERMINALS STORAGE TRAY	40-1
DRAWBAR RETAINER (NORTH AMERICAN VERSION)(CAT III)(8130, 8230, 8330)	70-66	ELECTRICAL CONNECTORS AND TERMINALS KIT	40-1
DRAWBAR RETAINER, HEAVY DUTY (CATEGORY IV)	70-70	ELECTRICAL JUNCTION BLOCK	42-28
DRAWBAR, HEAVY DUTY (CATEGORY IV)	70-70	ELECTRICAL JUNCTION BLOCK	42-58
DRAWBAR, PICK-UP HITCH	70-102	ELECTRICAL JUNCTION BLOCK (CAB POWER)	42-18
DRAWBAR, REGULAR (EUROPEAN VERSION)	70-80	ELECTRICAL JUNCTION BLOCK, FIELD OFFICE	42-24
DRAWBAR, REGULAR (NORTH AMERICAN VERSION) (CAT IV) (8430, 8530)	70-68	ELECTRICAL TERMINAL	40-8
DRAWBAR, REGULAR (NORTH AMERICAN VERSION)(CAT III)(8130, 8230, 8330)	70-66	ELECTRO HYDRAULIC STEERING CONTROL UNIT (EH VALVE) (AUTOTRAC)	93-5
DRAWER	92-15	ELECTRO-HYDRAULIC VALVE (IVT)	52-8
DRIVE SHAFT (IVT)	52-14	ELECTRO-HYDRAULIC VALVE, PTO	53-2
DRIVE SHAFT, ASPIRATOR	25-16	ELEMENT, ENG. AIR CLEANER	35-2
DRIVE, FAN	25-8	ELEMENTS, FILTER	35-16
DRIVE, FINAL (ILS) (8130, 8230, 8330)	55-30	EMBLEM, LEAPING DEERE	44-4
DRIVE, FINAL (ILS) (8430, 8530)	55-32	EMBLEM, SLOW MOVING VEHICLE	80-66
DRIVE, FINAL (MFWD) (8130, 8230, 8330)	54-14	EMERGENCY STEERING VALVE	51-12
DRIVE, FINAL (MFWD) (8430)	54-16	END COVER, SELECTIVE CONTROL VALVE (STANDARD AND DELUXE)	71-1
DRIVE, HYDRAULIC PUMP	70-2	END, TIE ROD	80-12
DRIVE, SPUR GEAR (MFWD) (8130, 8230, 8330)	54-2	ENGINE AIR CLEANER	35-2
		ENGINE AND CHASSIS WIRING HARNESS	41-2
		ENGINE COOLANT HEATER	20-31
		ENGINE COOLANT HEATER (W/O HEATER)	25-12
		ENGINE COOLANT HEATER (120 V)	25-13
		ENGINE ELECTRONIC CONTROL UNIT	42-12
		ENGINE OIL BY-PASS VALVE	20-44
		ENGINE OIL DIPSTICK (ALL) NO 8430 MFWD	20-40
		ENGINE SPEED CONTROL BRACKET (ARMREST)	42-32
		ENGINE SPEED CONTROL GEAR (ARMREST)	42-32
		ENGINE SPEED CONTROL KNOB (ARMREST)	42-32

## ALPHABETICAL INDEX - CONTINUED

8130, 8230, 8330, 8430, 8530 TRACTORS

	PAGE		PAGE
FLOOD LIGHTS, FRONT ROOF	42-64	FRONT HITCH VALVE	72-6
FLOOD LIGHTS, REAR FENDER (EUROPEAN VERSION)	42-6	FRONT HITCH VALVE KITS	72-8
FLOOD LIGHTS, REAR FENDER (8130,8230, 8330)(NORTH AMERICAN VERSION)	42-2	FRONT HITCH VALVE O-RING KIT	72-11
FLOOD LIGHTS, REAR FENDER (8430,8530) (NORTH AMERICAN VERSION)	42-4	FRONT HITCH WIRING HARNESS	41-21
FLOOD LIGHTS, REAR ROOF	42-64	FRONT PLATE	20-74
FLOOR (CAB)	91-46	FRONT ROOF FLOOD LIGHTS	42-64
FLOOR MAT	91-45	FRONT SUNSHADE KIT	91-43
FLOWMETER SENSOR MOUNTING (AUTOTRAC)	93-4	FRONT WEIGHT SUPPORT AND FRAME WEIGHTS (NORTH AMERICAN VERSION)	80-63
FLOWMETER, STEERING (AUTOTRAC)	93-2	FRONT WHEEL (8130)	80-14
FLUSH FACE CASE DRAIN COUPLER KIT	70-108	FRONT WHEEL ASSEMBLY (MFWD) (12 BOLT) (8-POSITION) (8130, 8230, 8330)	80-16
FLYWHEEL	20-5	FRONT WHEEL ASSEMBLY (MFWD) (12 BOLT) (8-POSITION) (8430, 8530)	80-18
FLYWHEEL HOUSING	20-4	FRONT WHEEL BEARING (8130)	80-14
FLYWHEEL SHIELD (ILS)	55-12	FRONT WHEEL HUB (8130)	80-14
FOOT THROTTLE	42-72	FRONT WHEEL HUB SEAL (8130)	80-14
FOOTREST	91-46	FRONT WHEELS (ILS) (DUALS) (10 BOLT 8 POSITION)	80-20
FORE-AFT ATTENUATOR (SEAT SUSPENSION)	92-6	FRONT WHEELS (MFWD) (12 BOLT) (16-POSITION) (WITH DUAL)	80-23
FORE-AFT ATTENUATOR BLOCK (AIR SEAT)	92-10	FRONT WHEELS (MFWD) (12 BOLT) (2-POSITION) (EUROPEAN VERSION)	80-22
FORE-AFT ISOLATOR CONTROL (AIR SEAT)	92-10	FRONT WINDOW	91-28
FORE-AFT ISOLATOR CONTROL (SEAT SUSPENSION)	92-6	FUEL CAP	35-14
FOURTH REMOTE CYLINDER CONTROL KIT	71-14	FUEL COOLER	25-4
FRAME WEIGHTS AND FRONT WEIGHT SUPPORT (NORTH AMERICAN VERSION)	80-63	FUEL COOLER	35-12
FRAME, FRONT	80-50	FUEL FILTER	20-34
FRAME, HITCH	70-48	FUEL FILTER GASKET KIT	20-34
FRAME, MID ASSEMBLY (IVT)	80-47	FUEL GAUGE	42-50
FRAME, MID ASSEMBLY (PST)	80-46	FUEL HOSES (COMMON RAIL)	35-12
FRAME, SEAT	92-2	FUEL INJECTION LINES (HRW02) 8230 MFWD & 8330 MFWD	20-8
FRESH AIR FILTER BRACKET	90-10	FUEL INJECTION LINES (HRW04) 8430 MFWD	20-10
FRESH AIR FILTER COVER	90-10	FUEL INJECTION LINES (HRW06) 8230 ILS & 8330 ILS	20-14
FRESH AIR FILTER HOUSING, CAB	90-10	FUEL INJECTION LINES (HRW08) 8430 ILS & 8530 ILS	20-16
FRESH AIR FILTER, CAB	90-10	FUEL INJECTION NOZZLE (HRW01) 8130MFWD & 8130 2WD	20-6
FRONT AND REAR WIPER ASSEMBLY KIT	91-26	FUEL INJECTION NOZZLE (HRW05) 8130 ILS	20-12
FRONT AXLE FRONT PIVOT SUPPORT (MFWD)(8130, 8230, 8330)	80-6	FUEL INJECTION PUMP (HRW02) 8230 MFWD & 8330 MFWD	20-8
FRONT AXLE FRONT PIVOT SUPPORT (MFWD)(8430)	80-8	FUEL INJECTION PUMP (HRW04) 8430 MFWD	20-10
FRONT AXLE KNEE SPINDLE KNUCKLE	80-10	FUEL INJECTION PUMP (HRW06) 8230 ILS & 8330 ILS	20-14
FRONT AXLE PIVOT PIN (8130)	80-1	FUEL INJECTION PUMP (HRW08) 8430 ILS & 8530 ILS	20-16
FRONT AXLE REAR PIVOT SUPPORT (8130,8230,8330)	80-2	FUEL LINES (COMMON RAIL)	35-12
FRONT AXLE REAR PIVOT SUPPORT (MFWD) (8430)	80-4	FUEL SENDER	35-14
FRONT FENDER (MFWD)	54-28	FUEL SENDER WIRING HARNESS	35-14
FRONT FENDER ASSEMBLY (ILS)	55-60	FUEL SYSTEM UNIT PUMP (HRW01) 8130MFWD & 8130 2WD	20-6
FRONT FRAME	80-50	FUEL SYSTEM UNIT PUMP (HRW05) 8130 ILS	20-12
FRONT GRILLE AND HEADLIGHT HOUSING	80-54	FUEL TANK	35-14
FRONT HEADLIGHTS BRACKET (EUROPEAN VERSION)	44-7	FUEL TANK BREATHER	35-14
FRONT HEADLIGHTS BRACKET (EUROPEAN VERSION)	44-8	FUEL TANK CAP	35-14
FRONT HEADLIGHTS BRACKET (UNITED KINGDOM)	44-6	FUEL TANK PLATE	35-14
FRONT HEADLIGHTS WIRING HARNESS (EUROPEAN VERSION)	44-7	FUEL TANK STRAINER	35-14
FRONT HEADLIGHTS WIRING HARNESS (EUROPEAN VERSION)	44-8	FUEL TANK STRAP	35-14
FRONT HITCH	72-2	FUEL TANK SUPPORT	35-14
FRONT HITCH LINES	72-4	FUEL TANK VENT	35-14
FRONT HITCH PILOT VALVE KIT	72-10	FUSE EXTRACTOR TOOL	42-74
FRONT HITCH SWITCH	41-20		

ALPHABETICAL INDEX - CONTINUED

FUSE TERMINAL BOARD.....	40-9
FUSE, LOAD CENTER.....	42-74

G

GASKET KIT, AIR COMPRESSOR (AIR BRAKE).....	60-70
GASKET, BLOWER MOTOR.....	90-11
GASKET, CAM COVER PLATE.....	20-74
GASKET, CYLINDER HEAD.....	20-54
GASKET, DIFFERENTIAL CASE (ILS).....	55-10
GASKET, FUEL FILTER.....	20-34
GASKET, ROCKER ARM.....	20-50
GASKET, THERMOSTAT HOUSING (-001819).....	20-36
GASKET, THERMOSTAT HOUSING (ESN 001820-).....	20-38
GASKET, TIMING GEAR COVER.....	20-74
GAUGE, ENGINE WATER TEMPERATURE.....	42-30
GAUGE, FUEL.....	42-30
GEAR PUMP HEATER.....	41-14
GEAR W/SHAFT, DIFFERENTIAL SPIRAL BEVEL (MFWD) (8130, 8230, 8330).....	54-22
GEAR W/SHAFT, DIFFERENTIAL SPIRAL BEVEL (MFWD)(8430).....	54-24
GEAR, CARRIER DRIVE (V).....	51-26
GEAR, COUNTERSHAFT.....	20-46
GEAR, CRANKSHAFT.....	20-46
GEAR, DIFFERENTIAL BEVEL (MFWD) (8130, 8230, 8330).....	54-22
GEAR, DIFFERENTIAL BEVEL (ILS).....	55-16
GEAR, DIFFERENTIAL BEVEL (MFWD) (8430).....	54-24
GEAR, DIFFERENTIAL DRIVE SHAFT OUTPUT (ILS).....	55-8
GEAR, DIFFERENTIAL SPIRAL BEVEL.....	53-22
GEAR, DIFFERENTIAL SPIRAL BEVEL (ILS).....	55-16
GEAR, ENGINE SPEED CONTROL (ARMREST).....	42-32
GEAR, FINAL DRIVE RING (8130) (100MM).....	53-14
GEAR, FINAL DRIVE RING (8130,8230,8330) (110MM).....	53-16
GEAR, FINAL DRIVE RING (8130,8230,8330) (120MM).....	53-18
GEAR, FINAL DRIVE RING (8430,8530) (120MM).....	53-20
GEAR, FLYWHEEL RING.....	20-5
GEAR, IDLER.....	20-74
GEAR, INPUT SHAFT.....	51-24
GEAR, OIL PUMP.....	20-52
GEAR, OUTPUT SHAFT.....	51-28
GEAR, OUTPUT SHAFT.....	51-30
GEAR, REVERSE IDLER.....	51-22
GEAR, RING.....	20-5
GEAR, TRANSMISSION INPUT (IVT).....	52-10
GEARS, HYDRAULIC PUMP DRIVE.....	70-2
GEARS, IDLER SHAFT CLUTCH (IVT).....	52-30
GEARS, SUN DRIVE (IVT).....	52-16
GLASS, CAB FRONT.....	91-28
GLASS, LEFT HAND DOOR (014367- ).....	91-34
GLASS, RIGHT-HAND OPENING (EUROPEAN VERSION).....	91-31
GLASS, STATIONARY RIGHT-HAND.....	91-30
GREENSTAR BRACKET, GPS RECEIVER.....	41-8
GREENSTAR RECEIVER BRACKET.....	41-10
GREENSTAR WIRING HARNESS, GPS RECEIVER.....	41-8
GREENSTAR, WIRING HARNESS, GPS.....	41-8

GRILLE AND HEADLIGHT HOUSING.....	80-54
GROUND DRIVE PUMP.....	70-10
GROUND DRIVE PUMP/HYD PUMP LINES (-XXXXXX).....	70-20
GROUND DRIVEN PUMP OIL LINE (ILS).....	55-2
GUIDE BAR, AIR SEAT SUSPENSION.....	92-10
GUIDE, REAR HOOD SUPPORT.....	80-58
GUIDE, SHIFT LEVER (ARMREST)(PST).....	42-34

H

HANDBRAKE.....	60-48
HANDLE, DOOR.....	91-36
HANDRAIL, LEFT HAND.....	91-4
HANDRAIL, RIGHT HAND.....	91-6
HARDWARE KIT, BRAKE VALVE.....	60-34
HARNESS, HEADLAMP.....	44-4
HARNESS, HEAT SWITCH(LEATHER).....	92-2
HARNESS, WIRING (ACU) MAIN.....	42-50
HARNESS, WIRING, ACTIVE SEAT.....	42-22
HARNESS, WIRING, AUTOTRAC.....	93-8
HEADLAMP HARNESS.....	44-4
HEADLIGHT ADJUSTING SCREWS.....	44-4
HEADLIGHT ADJUSTING SCREWS.....	44-5
HEADLIGHT HOUSING AND FRONT GRILLE.....	80-54
HEADLIGHT WIRING HARNESS.....	41-6
HEADLIGHT, DELUXE HOOD.....	44-5
HEADLIGHTS.....	44-4
HEADLIGHTS (LEFT-HAND TRAFFIC) (UNITED KINGDOM).....	44-6
HEADLIGHTS (RIGHT-HAND TRAFFIC) (EUROPEAN VERSION).....	44-7
HEADLIGHTS (RIGHT-HAND TRAFFIC) KIT (EUROPEAN VERSION).....	44-8
HEADLINER (CAB).....	91-40
HEADLINER (ROOF).....	91-40
HEAT SHIELDS.....	80-54
HEATER AND A/C BLOWER MOTOR.....	90-14
HEATER AND A/C BLOWER MOTOR (ATC).....	90-16
HEATER AND A/C BLOWER MOTOR IMPELLER.....	90-14
HEATER AND A/C BLOWER MOTOR IMPELLER (ATC).....	90-16
HEATER AND A/C COMPARTMENT COVER.....	90-22
HEATER AND A/C COMPARTMENT SEAL.....	90-22
HEATER AND A/C EXPANSION VALVE.....	90-14
HEATER AND A/C HOUSING.....	90-14
HEATER AND A/C RESISTOR.....	90-14
HEATER AND A/C THERMOSTAT.....	90-14
HEATER HOSE.....	90-8
HEATER HOSE CLAMP.....	90-8
HEATER LINES.....	90-24
HEATER, COLD WEATHER START.....	41-14
HEATER, COOLANT (110V).....	20-31
HEATER, ENGINE COOLANT (W/O HEATER).....	25-12
HEATER, ENGINE COOLANT (120 V).....	25-13
HEATER, GEAR PUMP.....	41-14
HEATER, TRANSMISSION.....	41-14
HEAVY DUTY DRAWBAR (CATEGORY IV).....	70-70
HEAVY DUTY DRAWBAR CONVERSION KIT (CATEGORY III TO CATEGORY IV).....	70-72
HEAVY DUTY DRAWBAR CONVERSION KIT (CATEGORY IV TO CATEGORY IV HEAVYDUTY).....	70-74
HEAVY DUTY HUB, MULTI POSITION DUALS) (8430, 8530).....	80-40
HEIGHT SWITCH, SEAT.....	92-4
HI-LO CLUTCH ASSEMBLY (IVT).....	52-20

## ALPHABETICAL INDEX - CONTINUED

8130, 8230, 8330, 8430, 8530 TRACTORS

	PAGE		PAGE
HIGH INTENSITY DISCHARGE LIGHT (HID).....	44-13	HOUSING, AXLE (8130,8230,8330)(120MM) .....	53-18
HINGE ASSEMBLY, REAR WINDOW .....	91-32	HOUSING, AXLE (8430,8530) (120MM) .....	53-20
HINGE, HOOD (LOWER) .....	80-56	HOUSING, AXLE, W/CASE (L.H.) (MFWD)	
HITCH CONTROL LABEL .....	41-18	(8130, 8230, 8330) .....	54-6
HITCH CONTROL LABEL .....	41-20	HOUSING, AXLE, W/CASE (L.H.) (MFWD)	
HITCH CONTROL LEVER POTENTIOMETER		(8430) .....	54-8
(ARMREST) .....	42-36	HOUSING, CAB FRESH AIR FILTER .....	90-10
HITCH CONTROL SWITCH .....	41-18	HOUSING, CONSOLE LIGHT .....	42-69
HITCH CONTROL SWITCH .....	41-20	HOUSING, DIFFERENTIAL .....	53-12
HITCH CONTROL SWITCH BRACKET .....	41-18	HOUSING, DIFFERENTIAL (ILS) .....	55-16
HITCH CONTROLS, PICK-UP .....	70-100	HOUSING, DIFFERENTIAL (MFWD)	
HITCH CONTROLS, WAGON .....	70-92	(8130, 8230, 8330) .....	54-22
HITCH DRAFT SENSOR .....	70-38	HOUSING, DIFFERENTIAL (MFWD)	
HITCH FRAME .....	70-48	(8430) .....	54-24
HITCH LINES, FRONT .....	72-4	HOUSING, ENG. AIR CLEANER .....	35-2
HITCH MANUAL LOWERING SCREW .....	71-1	HOUSING, FLYWHEEL .....	20-4
HITCH RAISE LIMIT POTENTIOMETER		HOUSING, HEATER AND A/C .....	90-14
(ARMREST) .....	42-36	HOUSING, KNUCKLE (ILS) .....	55-28
HITCH RAISE/LOWER SWITCH (ARMREST) .....	42-36	HOUSING, KNUCKLE (MFWD)	
HITCH RATE OF DROP POTENTIOMETER		(8130, 8230, 8330) .....	54-18
(ARMREST) .....	42-36	HOUSING, KNUCKLE (MFWD) (8430) .....	54-20
HITCH STABILIZER (DELUXE) (EUROPEAN		HOUSING, OIL EVACUATION (ILS) .....	55-12
VERSION) .....	70-112	HOUSING, OIL PUMP .....	20-52
HITCH STABILIZER (EUROPEAN VERSION) .....	70-114	HOUSING, PARK BRAKE CLUTCH DISK	
HITCH SWITCH KNOB (ARMREST) .....	42-36	(IVT) .....	52-22
HITCH VALVE .....	71-12	HOUSING, PTO .....	51-32
HITCH VALVE (FRONT) .....	72-6	HOUSING, PTO (OPTIONAL PTO)	
HITCH VALVE MOUNTING PARTS .....	70-104	(1 3/4" SHAFT) (1000 RPM) .....	53-26
HITCH, FRONT .....	72-2	HOUSING, PTO (OPTIONAL PTO)	
HITCH, PICK-UP .....	70-94	(1 3/8" SHAFT) (540/1000 RPM) .....	53-28
HITCH, THREE IN ONE .....	70-86	HOUSING, PTO (STANDARD) (1 3/4" SHAFT)	
HOOD DELUXE HEADLIGHT .....	44-5	(1000 RPM) .....	53-24
HOOD GUIDE SUPPORT (REAR) .....	80-58	HOUSING, PUMP DRIVE .....	53-6
HOOD HINGE (LOWER) .....	80-56	HOUSING, PUMP DRIVE (8130, 8230) .....	53-4
HOOD LATCH .....	80-54	HOUSING, REVERSE BRAKE (IVT)	
HOOD LATCH STRIKER .....	80-50	(REAR) .....	52-2
HOOD LINKAGE .....	80-60	HOUSING, REVERSE BRAKE (IVT)	
HOOD LOUVERS .....	80-52	(REAR) .....	52-4
HOOD PIVOT .....	80-56	HOUSING, SCAVENGE PUMP .....	51-32
HOOD PIVOT SPRING .....	80-60	HOUSING, THERMOSTAT (-001819) .....	20-36
HOOD SCREENS .....	80-52	HOUSING, THERMOSTAT (ESN 001820-) .....	20-38
HOOD SEALS .....	80-54	HOUSING, TRANSMISSION (IVT)	
HOOD SIDES .....	80-54	(FRONT) .....	52-6
HOOD SOUND BARRIERS .....	80-54	HOUSING, TRANSMISSION (IVT)	
HOOD, TOP PANEL ASSY PARTS .....	80-52	(REAR) .....	52-2
HOOK, IMPLEMENT (CATEGORY IV) .....	70-64	HOUSING, TRANSMISSION (IVT)	
HOOK, PICK-UP HITCH .....	70-94	(REAR) .....	52-4
ORN .....	41-17	HRW01 (FUEL INJECTION PUMP)	
ROSE IDENTIFICATION KIT .....	70-119	8130MFWD & 8130 2WD .....	20-6
HOSE, CAP END, SEAT SUSPENSION .....	92-8	HRW01 (OIL PAN) 8130MFWD & 8130 2WD .....	20-20
HOSE, HEATER .....	90-8	HRW01 (TURBOCHARGER)	
HOSE, HYDRAULIC TRAILER BRAKE VALVE .....	60-54	8130 MFWD AND 8130 2 WD .....	20-62
HOSE, RADIATOR .....	25-2	HRW01T (TURBOCHARGER AND OIL LINES)	
HOSE, ROCKER ARM VENT LINE .....	35-1	8130 MFWD AND 8130 2 WD .....	20-62
HOSE, ROD END, SEAT SUSPENSION .....	92-8	HRW02 (FUEL INJECTION PUMP)	
HOSE, TURBO INLET (TRAILER BRAKE) .....	35-2	8230 MFWD & 8330 MFWD .....	20-8
HOSES, AFTERCOOLER PIPE .....	35-4	HRW02 (OIL PAN)-8230MFWD & 8330MFWD .....	20-22
HOSES, FRONT HITCH .....	72-4	HRW02 (TURBOCHARGER AND OIL LINES)	
HOSES, PICK-UP HITCH HYDRAULIC .....	70-98	8230MFWD AND 8330 MFWD .....	20-64
HOUSING (ATC) .....	90-16	HRW02 (TURBOCHARGER)	
HOUSING, ARMREST .....	92-18	8230MFWD AND 8330 MFWD .....	20-64
HOUSING, AXLE (R.H.) (MFWD)		HRW04 (ENGINE OIL DIPSTICK)	
(8130, 8230, 8330) .....	54-10	8430 MFWD ONLY .....	20-41
HOUSING, AXLE (R.H.) (MFWD)		HRW04 (FUEL INJECTION PUMP)	
(8430) .....	54-12	8430 MFWD .....	20-10
HOUSING, AXLE (8130) (100MM) .....	53-14	HRW04 (OIL DIPSTICK) 8430 MFWD ONLY .....	20-11
HOUSING, AXLE (8130,8230,8330)(110MM) .....	53-16	HRW04 (OIL PAN) 8430MFWD .....	20-24

## ALPHABETICAL INDEX - CONTINUED

	PAGE		PAGE
HRW04 (TURBOCHARGER AND OIL LINES)		HYDRAULIC MOTOR RETURN OR	
8430 MFWD	20-66	SUMP KIT	70-106
HRW04 (TURBOCHARGER)		HYDRAULIC OIL COOLER	70-31
8430 MFWD	20-66	HYDRAULIC OIL COOLER LINES	70-32
HRW05 (FUEL INJECTION PUMP)		HYDRAULIC OIL FILTER	70-29
8130 ILS	20-12	HYDRAULIC PUMP DRIVE	70-2
HRW05 (TURBOCHARGER AND OIL LINES)		HYDRAULIC PUMP DRIVE LINES	70-4
8130 ILS	20-68	HYDRAULIC PUMP LINES ( -XXXXXX )	70-16
HRW05 (TURBOCHARGER)		HYDRAULIC PUMP LINES (XXXXXX- )	
8130 ILS	20-68	(40K)(50K/IVT/ILS/EV)	70-18
HRW05,HRW06,HRW08 (OIL PAN) ILS TRACTORS	20-26	HYDRAULIC PUMP SEAL KIT	70-8
HRW06 (FUEL INJECTION PUMP)		HYDRAULIC PUMP/BRAKE COOLING VALVE LINES	
8230 ILS & 8330 ILS	20-14	(XXXXXX- )	70-24
HRW06 (TURBOCHARGER AND OIL LINES)		HYDRAULIC PUMP/GROUND DRIVE PUMP LINES	
8230 ILS & 8330 ILS	20-70	( -XXXXXX )	70-20
HRW06 (TURBOCHARGER)		HYDRAULIC PUMP/LOAD SENSE MANIFOLD LINES	
8230 ILS & 8330 ILS	20-70	(XXXXXX- )	70-22
HRW08 (FUEL INJECTION PUMP)		HYDRAULIC PUMP, INTEGRATED	70-6
8430 ILS & 8530 ILS	20-16	HYDROPNEUMATIC SPRING, REAR WINDOW	91-32
HRW08 (TURBOCHARGER AND OIL LINES)		HYDROSTATIC MODULE (IVT)	52-28
8430 ILS & 8530 ILS	20-72		
HRW08 (TURBOCHARGER)			
8430 ILS & 8530 ILS	20-72		
HUB CAST REAR WHEELS (HEAVY DUTY)		IDENTIFICATION KIT, HOSE	70-119
(8130, 8230, 8330)	80-26	IDLER GEAR	20-74
HUB CAST REAR WHEELS (HEAVY DUTY)		IDLER SHAFT, CLUTCH UNIT (IVT)	52-30
(8430, 8530)	80-28	IDLER, REVERSE	51-22
HUB FRONT WHEEL SEAL (8130)	80-14	IFS POSITION SENSOR (ILS)	55-34
HUB STEEL DISK REAR WHEELS (10-BOLT HUB)		IMPELLER, ASPIRATOR	25-16
(HEAVY DUTY) (8430, 8530)	80-34	IMPELLER, HEATER AND A/C BLOWER MOTOR	90-14
HUB STEEL DISK REAR WHEELS (10-BOLT HUB)		IMPELLER, HEATER AND A/C BLOWER MOTOR	
(8130, 8230, 8330)	80-30	(ATC)	90-16
HUB STEEL REAR WHEELS (10-BOLT HUB)		IMPLEMENT GATEWAY CONTROLLER	42-10
(HEAVY DUTY) (8130, 8230, 8330)	80-32	IMPLEMENT HARNESS	41-8
HUB, CAST REAR WHEELS (HEAVY DUTY)		IMPLEMENT HOOK (CATEGORY IV)	70-64
(8130, 8230, 8330)	80-26	IMPLEMENT HYDRAULIC OIL LINES AND	
HUB, CAST REAR WHEELS (HEAVY DUTY)		FITTINGS	70-116
(8430, 8530)	80-28	IMPLEMENT QUICK COUPLER (CATEGORY	
HUB, CAST REAR WHEELS (NAV)		III/IIIN)	70-62
(8130, 8230, 8330)	80-24	IMPLEMENT QUICK COUPLER (CATEGORY	
HUB, DIFFERENTIAL	53-12	IV)	70-64
HUB, FRONT WHEEL (8130)	80-14	IMPLEMENT SAFETY CHAIN	70-82
HUB, HEAVY DUTY MULTI POSITION DUALS		IMPLEMENT SWITCH	41-22
(8430, 8530)	80-40	IMPLEMENT SWITCH WIRING HARNESS	41-22
HUB, HEAVY DUTY MULTI POSITION DUALS)		INDEPENDENT LINK SUSPENSION	
(8130, 8230, 8330)	80-38	ACCUMULATORS	55-55
HUB, MULTI POSITION DUALS		INDEPENDENT LINK SUSPENSION MANIFOLD	55-42
(8130, 8230, 8330)	80-36	INDEPENDENT LINK SUSPENSION MANIFOLD	
HUB, PTO CLUTCH	53-6	(50K/IVT/EV)	55-44
HUB, PTO CLUTCH (8130, 8230)	53-4	INLET, WATER PUMP	20-57
HUB, WHEEL (ILS)		INNER EXTENSION (ILS DUALS)	80-20
(8130, 8230, 8330)	55-30	INNER ROOF	91-41
HUB, WHEEL (ILS)		INPUT PINION (4 STEP) (ILS)	55-8
(8430, 8530)	55-32	INPUT PINION (5 STEP) (ILS)	55-8
HUB, WHEEL (MFWD) (8130, 8230, 8330)	54-14	INPUT PLANETARY ASSEMBLY (IVT)	52-16
HUB, WHEEL (MFWD) (8430)	54-16	INPUT PLANETARY CARRIER (IVT)	52-18
HYD OIL COOLER	25-4	INPUT QUILL, DIFFERENTIAL DRIVESHAFT	53-8
HYDRAULIC AND TRANSMISSION OIL	70-1	INPUT SHAFT	51-24
HYDRAULIC AUXILIARY RESERVOIR	70-30	INPUT SHAFT (IVT)	52-10
HYDRAULIC CONTROLLER	42-9	INPUT SHAFT DRUM	51-24
HYDRAULIC CYLINDER, FRONT HITCH	72-2	INPUT SHAFT GEAR	51-24
HYDRAULIC DIFFERENTIAL LOCK LABEL	42-17	INPUT SHAFT SLEEVE, TRANSMISSION	51-16
HYDRAULIC DIFFERENTIAL LOCK SWITCH	42-17	INPUT SHAFT SLEEVE, TRANSMISSION	51-20
HYDRAULIC HOSES, PICK-UP HITCH	70-98	INPUT SHAFT, DIFFERENTIAL (MFWD)	
HYDRAULIC LIFT CYL KIT (90 MM)		(8130, 8230, 8330)	54-2
(8130, 8230, 8330)	70-43	INPUT SHAFT, DIFFERENTIAL (MFWD) (8430)	54-4
HYDRAULIC MOTOR RETURN KIT, MULTIPLE	70-110		

## ALPHABETICAL INDEX - CONTINUED

	PAGE
INSTRUCTIONAL SEAT .....	92-20
INSTRUCTIONAL SEAT BACKREST .....	92-20
INSTRUCTIONAL SEAT BACKREST CUSHION .....	92-20
INSTRUCTIONAL SEAT CUSHION .....	92-20
INSTRUMENT CONTROL UNIT (ICU) .....	42-30
INSTRUMENT CONTROL UNIT (ICU) (EUROPEAN VERSION) .....	42-28
INSTRUMENT CONTROL UNIT (ICU) (NORTH AMERICAN VERSION) .....	42-28
INTAKE PIPES, AIR .....	35-4
INTAKE TUBE, ASPIRATOR .....	25-16
INTAKE VALVE .....	20-54
TAKE, AIR .....	20-18
TAKE, OIL PUMP (HRW01) 8130MFWD & 8130 2WD .....	20-20
TAKE, OIL PUMP (HRW02) 8230MFWD & 8330MFWD .....	20-22
TAKE, OIL PUMP (HRW04) 8430MFWD .....	20-24
TAKE, OIL PUMP (HRW05,HRW06,HRW08) ILS TRACTORS .....	20-26
ISOLATOR .....	20-1
IVT SHIFTING (COMMAND ARM) .....	42-44

J

IN DEERE LABEL .....	94-2
IN DEERE LABEL .....	94-3
WIPER HARNESS, SPEED SENSOR (ILS) .....	55-8
JUNCTION BLOCK, ELECTRICAL .....	42-58
JUNCTION BLOCK, ELECTRICAL (CAB POWER) .....	42-18

K

KEY AND ETHER AID SWITCHES BRACKET .....	42-31
SWITCH .....	42-31
S .....	42-31
AIR COMPRESSOR GASKET (AIR BRAKE) .....	60-70
KIT, BACK-UP ALARM .....	41-13
KIT, BRAKE COVERS .....	60-28
BRAKE MAKE-UP CHECK VALVE .....	60-36
BRAKE VALVE HARDWARE .....	60-34
BRAKE VALVE OVERHAUL .....	60-32
KIT, CASE DRAIN COUPLER, FLUSH FACE .....	70-108
KIT, CLUTCH VALVE .....	51-12
COLD WEATHER START .....	41-14
CONTROL VALVE MANIFOLD (ILS) .....	55-42
CONTROL VALVE MANIFOLD (ILS) (50K/IVT/EV) .....	55-44
KIT, ELECTRICAL CONNECTORS AND TERMINALS .....	40-1
FIFTH REMOTE CYLINDER CONTROL .....	71-14
FOURTH REMOTE CYLINDER CONTROL .....	71-14
FRONT AND REAR WIPER ASSEMBLY .....	91-26
KIT, FRONT HITCH PILOT VALVE .....	72-10
FRONT HITCH VALVE .....	72-8
FUEL FILTER GASKET .....	20-34
GOVERNOR LEVER (HRW01) 8130MFWD & 8130 2WD .....	20-6
GOVERNOR LEVER (HRW05) 30 ILS .....	20-12
HEAVY DUTY DRAWBAR CONVERSION CATEGORY III TO CATEGORY IV) .....	70-72
HEAVY DUTY DRAWBAR CONVERSION, (CATEGORY IV TO CATEGORY IV HEAVYDUTY) HOSE IDENTIFICATION .....	70-74 70-119

PAGE

KIT, HYD LIFT CYL (90 MM) (8130, 8230, 8330) .....	70-43
KIT, HYD LIFT CYLINDER (100 MM) .....	70-44
KIT, HYD LIFT CYLINDER (112 MM) .....	70-45
KIT, HYD PUMP ANTI DRAIN .....	70-6
KIT, HYD PUMP BYPASS .....	70-6
KIT, HYD PUMP CONTROLLER .....	70-6
KIT, HYDRAULIC MOTOR RETURN .....	70-106
KIT, HYDRAULIC MOTOR SUMP .....	70-106
KIT, HYDRAULIC PUMP SEAL .....	70-8
KIT, IMPLEMENT SAFETY CHAIN ADAPTER .....	70-82
KIT, MULTIPLE HYDRAULIC MOTOR RETURN .....	70-110
KIT, O-RING .....	70-118
KIT, POWER BEYOND COUPLER .....	71-16
KIT, PRESSURE CONTROL VALVE .....	51-4
KIT, RADIO KNOB .....	42-54
KIT, RADIO, ANTENNA AND SPEAKER .....	42-60
KIT, ROOF SIDE WORK LAMP (CAB) .....	44-3
KIT, ROTARY BEACON LIGHT .....	42-66
KIT, ROTATING BEACON SWITCH .....	42-70
KIT, SCV HYD QUICK COUPLER .....	71-10
KIT, SCV REMOTE CONTROL .....	71-14
KIT, SEAL (A/C COMPRESSOR) .....	90-2
KIT, SEAT (AIR LINE) .....	92-13
KIT, SEAT (AIR SPRING) .....	92-12
KIT, STEERING CYLINDER SEAL (ADJUSTABLE AXLE) (8130) (PST) .....	60-17
KIT, STEERING CYLINDER SEAL (MFWD) (8130, 8230, 8330) .....	60-18
KIT, STEERING CYLINDER SEAL (MFWD) (8130, 8230, 8330) .....	60-20
KIT, STEERING CYLINDER SEAL (MFWD) (8430) .....	60-19
KIT, STEERING CYLINDER SEAL (MFWD) (8430) .....	60-21
KIT, SUSPENSION CYLINDER SEAL (ILS) .....	55-54
KIT, THROTTLE LEVER (HRW01) 8130MFWD & 8130 2WD .....	20-6
KIT, THROTTLE LEVER (HRW05) 8130 ILS .....	20-12
KIT, TRANSMISSION REAR COVER .....	51-16
KIT, WINDSHIELD AND REAR WASHER .....	91-24
KIT, WORK LAMP (UPPER MID-BODY) .....	44-1
KNEE SPINDLE KNUCKLE, FRONT AXLE .....	80-10
KNOB, ENGINE SPEED CONTROL (ARMREST) .....	42-32
KNOB, HITCH SWITCHES (ARMREST) .....	42-36
KNOB, ROTARY BEACON LIGHT .....	42-66
KNOB, SCV SETUP MODULE .....	42-30
KNOB, SHIFT LEVER (ARMREST)(PST) .....	42-34
KNOBS, RADIO .....	42-54
KNUCKLE HOUSING (ILS) .....	55-28
KNUCKLE HOUSING (MFWD) (8130, 8230, 8330) .....	54-18
KNUCKLE HOUSING (MFWD) (8430) .....	54-20
KNUCKLE, FRONT AXLE KNEE SPINDLE .....	80-10

L

LABEL, ACCUMULATOR .....	94-8
LABEL, BLANK, NO LOAD CONTROL .....	94-16
LABEL, BY-PASS (FRENCH) .....	94-12
LABEL, BY-PASS (SPANISH) .....	94-10
LABEL, BYPASS START .....	43-2
LABEL, CAUTION, INSTRUCTIONAL SEAT .....	94-4
LABEL, CONSOLE CONTROLS .....	42-28
LABEL, DRAWBAR, TYPE APPROVAL .....	94-6

ALPHABETICAL INDEX - CONTINUED

	PAGE		PAGE
LABEL, ELECTRIC LOAD CENTER.....	94-4	LEFT-HAND DOOR (014367- ).....	91-34
LABEL, ENGINE STARTING (FRENCH).....	94-12	LEFT-HAND DOOR HANDLE.....	91-36
LABEL, ENGINE STARTING (SPANISH).....	94-10	LENS, EXTREMITY WARNING LAMP.....	44-14
LABEL, FRONT WIPER/WASH AND LIGHTS.....	94-16	LENS, EXTREMITY WARNING LAMP.....	44-16
LABEL, FRONT WIPER/WASH/LIGHTS AND NO EGRESS LIGHTING.....	94-16	LEVER, AIR BRAKE.....	60-76
LABEL, GREENSTAR.....	94-16	LEVER, CONTROL, SINGLE.....	42-48
LABEL, HITCH ADJUSTMENT.....	94-6	LEVER, ENGINE SPEED CONTROL (ARMREST).....	42-32
LABEL, HITCH CONTROL.....	41-18	LEVER, GOVERNOR (HRW01) 8130MFWD & 8130 2WD.....	20-6
LABEL, HITCH CONTROL.....	41-20	LEVER, GOVERNOR (HRW05) 8130 ILS.....	20-12
LABEL, HVAC.....	94-16	LEVER, PICK-UP HITCH.....	70-100
LABEL, HYDRAULIC DIFFERENTIAL LOCK.....	42-17	LEVER, ROCKSHAFT POSITION SENSOR.....	70-36
LABEL, INJECTION PUMP.....	94-8	LEVER, SECONDARY BRAKE.....	60-48
LABEL, INJECTION PUMP (FRENCH).....	94-12	LEVER, SELECTIVE CONTROLS 1, 2, 3 (ARMREST).....	42-40
LABEL, INJECTION PUMP (SPANISH).....	94-10	LEVER, STEERING COLUMN.....	60-6
LABEL, JOHN DEERE.....	94-2	LEVER, WAGON HITCH.....	70-92
LABEL, JOHN DEERE.....	94-3	LEVERS, SELECTIVE CONTROL 4 AND 5 (ARMREST).....	42-42
LABEL, LOAD CONTROL.....	94-16	LICENSE PLATE AND LAMP (EUROPEAN VERSION).....	80-67
LABEL, PTO SAFETY (BI-LINGUAL).....	94-14	LICENSE PLATE LAMP WIRING HARNESS (EUROPEAN VERSION).....	42-71
LABEL, PTO SAFETY (SPANISH).....	94-10	LIFT ARM, ROCKSHAFT.....	70-35
LABEL, QUICK COUPLER.....	94-8	LIFT CYLINDER (100 MM).....	70-44
LABEL, QUICK COUPLER (FRENCH).....	94-12	LIFT CYLINDER (112 MM).....	70-45
LABEL, QUICK COUPLER (SPANISH).....	94-10	LIFT CYLINDER (8130, 8230, 8330).....	70-40
LABEL, RADAR (FRENCH).....	94-12	LIFT CYLINDER (8430, 8530).....	70-41
LABEL, RADAR (SPANISH).....	94-10	LIFT CYLINDER (90 MM) (8130, 8230, 8330).....	70-43
LABEL, ROPS WARNING.....	94-4	LIFT CYLINDER LINES.....	70-46
LABEL, ROPS WARNING (BI-LINGUAL).....	94-14	LIFT LINK (CATEGORY III AND CATEGORY IVN).....	70-50
LABEL, ROPS WARNING (FRENCH).....	94-12	LIFT STRAPS.....	20-78
LABEL, ROPS WARNING (SPANISH).....	94-10	LIGHT, DOME.....	42-68
LABEL, SAFETY.....	94-8	LIGHT, HIGH INTENSITY DISCHARGE (HID).....	44-13
LABEL, SAFETY (ENGLISH/FRENCH).....	94-14	LIGHT, LICENSE PLATE (EUROPEAN VERSION).....	42-6
LABEL, SAFETY (SPANISH).....	94-10	LIGHT, ROOF SIDE WORK.....	44-3
LABEL, SAFETY SIGN.....	94-4	LIGHT, TAIL.....	44-18
LABEL, SAFETY SIGN.....	94-8	LIGHT, TAIL (EUROPEAN VERSION).....	44-19
LABEL, SLOW SPEED OVERLOAD (FRENCH).....	94-12	LIGHTER.....	91-14
LABEL, SLOW SPEED OVERLOAD (SPANISH).....	94-10	LIGHTING, DELUXE HOOD.....	44-5
LABEL, STARTER.....	20-33	LIGHTING, STANDARD HOOD.....	44-4
LABEL, TRACTOR TOW, EXPORT.....	94-6	LINE, AIR BRAKE (REAR).....	60-74
LABEL, WARNING (PTO SAFETY).....	94-4	LINE, ANEROID (HRW01) 8130MFWD & 8130 2WD.....	20-6
LABEL, WARNING (20 MPH).....	94-4	LINE, ANEROID (HRW05) 8130 ILS.....	20-12
LABEL, 40 KM/H.....	94-6	LINE, GROUND DRIVEN PUMP OIL (ILS).....	55-2
LABEL, 8130.....	94-2	LINE, VAR FAN DRIVE.....	25-8
LABEL, 8230.....	94-2	LINER, CYLINDER.....	20-48
LABEL, 8330.....	94-3	LINES, AIR BRAKE (FRONT).....	60-72
LABEL, 8430.....	94-3	LINES, AIR BRAKE CONTROL VALVE.....	60-56
LABEL, 8530.....	94-3	LINES, BRAKE OIL (REAR).....	60-46
LAMP, DIRECTION INDICATOR (CAB) (EUROPEAN VERSION).....	44-10	LINES, BRAKE VALVE.....	60-44
LAMP, EXTREMITY WARNING.....	44-14	LINES, BRAKE VALVE ATTENUATOR.....	60-42
LAMP, EXTREMITY WARNING, 2.85M REG11.....	44-16	LINES, FRONT HITCH.....	72-4
LAMP, FLOOD, LICENSE PLATE (EUROPEAN VERSION).....	42-71	LINES, FUEL INJECTION (HRW02) 8230 MFWD & 8230 MFWD.....	20-8
LAMP, FRONT ROOF WORK.....	44-2	LINES, FUEL INJECTION (HRW04) 8430 MFWD.....	20-10
LAMP, LICENSE PLATE (EUROPEAN VERSION).....	80-67	LINES, FUEL INJECTION (HRW06) 8230 ILS & 8330 ILS.....	20-14
LAMP, REAR ROOF WORK.....	44-11	LINES, FUEL INJECTION (HRW08) 8430 ILS & 8530 ILS.....	20-16
LAMP, ROOF SIDE WORK (CAB).....	44-3	LINES, HEATER.....	90-24
LATCH, DOOR.....	91-36		
LATCH, HOOD.....	80-54		
LATCHES, RADIATOR.....	25-4		
LATERAL ATTENUATOR (SEAT SUSPENSION).....	92-6		
LEAPING DEERE EMBLEM.....	44-4		
LEATHER BACK CUSHION.....	92-2		
LEATHER CUSHION.....	92-2		
LEATHER UPPER SEAT (W/HEATER).....	92-2		
LEFT HAND REVERSER.....	60-2		
LEFT HAND STEP.....	91-4		

ALPHABETICAL INDEX - CONTINUED

	PAGE
LINES, HYDRAULIC OIL COOLER.....	70-32
LINES, HYDRAULIC PUMP ( -XXXXXX).....	70-16
LINES, HYDRAULIC PUMP (XXXXXX- ) (40K)(50K/IVT/ILS/EV).....	70-18
LINES, HYDRAULIC PUMP DRIVE.....	70-4
LINES, HYDRAULIC PUMP/BRAKE COOLING VALVE (XXXXXX- ).....	70-24
LINES, HYDRAULIC PUMP/GROUND DRIVE PUMP ( -XXXXXX).....	70-20
LINES, HYDRAULIC PUMP/LOAD SENSE MANIFOLD (XXXXXX- ).....	70-22
LINES, IMPLEMENT HYDRAULIC OIL.....	70-116
LINES, LIFT CYLINDER.....	70-46
LINES, PICK-UP HITCH CYLINDER.....	70-96
LINES, SELECTIVE CONTROL VALVE (IVT).....	71-19
LINES, SELECTIVE CONTROL VALVE (PST).....	71-18
LINES, SELECTIVE CONTROL VALVE DRAIN.....	71-20
LINES, STEERING CYLINDER (ILS).....	55-58
LINES, STEERING CYLINDER (MFWD).....	60-24
LINES, STEERING CYLINDER (W/O MFWD) (8130).....	60-26
LINES, STEERING VALVE.....	60-14
LINES, SUSPENSION CYLINDER (ILS).....	55-52
LINES, TRANSMISSION.....	51-50
LINES, TRANSMISSION (8130, 8230, 8330).....	51-46
LINES, TRANSMISSION (ILS).....	55-4
LINES, TRANSMISSION (8430, 8530).....	51-48
LINES, TRANSMISSION PUMP (IVT).....	70-28
LINES, TRANSMISSION PUMP (PST) (8130, 8230, 8330).....	70-26
LINES, TRANSMISSION PUMP (PST) (8430).....	70-27
LINES, TURBOCHARGER OIL (HRW01) 8130 MFWD AND 8130 2 WD.....	20-62
LINES, TURBOCHARGER OIL (HRW02) 8230MFWD AND 8330 MFWD.....	20-64
LINES, TURBOCHARGER OIL (HRW04) 8430 MFWD.....	20-66
LINES, TURBOCHARGER OIL (HRW05) 8130 ILS.....	20-68
LINES, TURBOCHARGER OIL (HRW06) 8230 ILS & 8330 ILS.....	20-70
LINES, TURBOCHARGER OIL (HRW08) 8430 ILS & 8530 ILS.....	20-72
LINK, CENTER (EUROPEAN VERSION).....	70-60
LINK, CENTER (NORTH AMERICAN VERSION).....	70-58
LINK, LIFT (CATEGORY III AND CATEGORY IVN).....	70-50
LINKAGE, HOOD TILT.....	80-60
LINKS, DRAFT.....	70-56
LOAD CENTER.....	42-74
LOAD CENTER BRACKET.....	42-74
LOAD CENTER DIODE.....	42-74
LOAD CENTER FLUSE.....	42-74
LOAD CENTER RELAY.....	42-74
LOAD CENTER TERMINAL BOARD.....	42-74
LOAD SENSE MANIFOLD.....	70-12
LOAD SENSE MANIFOLD/HYD PUMP LINES (XXXXXX- ).....	70-22
LOCTITE.....	80-65
LOWER, AIR CIRCULATION DUCTS.....	90-12
LOWERS, FRONT PANEL.....	80-49
LOWERS, HOOD.....	80-52
LOW STAND-BY PRESSURE CONTROL KIT.....	71-4
LOWER CONTROL ARM (ILS).....	55-36
LOWER RADIATOR HOSE.....	25-2

	PAGE
LUBRICATION FITTING, HITCH FRAME.....	70-48
M	
MAGNETIC PICK-UP SENSOR, PTO.....	53-2
MAIN BEARING CAP.....	20-44
MAIN BEARINGS.....	20-46
MANIFOLD.....	51-4
MANIFOLD.....	51-6
MANIFOLD.....	51-8
MANIFOLD.....	51-10
MANIFOLD.....	51-12
MANIFOLD.....	51-14
MANIFOLD (IVT).....	52-6
MANIFOLD CARTRIDGES, CONTROL VALVE (ILS).....	55-50
MANIFOLD COVER.....	51-14
MANIFOLD PLUGS, CONTROL VALVE (ILS).....	55-46
MANIFOLD PRESSURE CONTROL VALVE.....	51-4
MANIFOLD REAR O-RINGS (ILS).....	55-49
MANIFOLD SLEEVE.....	51-14
MANIFOLD SOLENOIDS (IVT).....	52-8
MANIFOLD VALVE.....	51-6
MANIFOLD VALVE.....	51-8
MANIFOLD VALVE.....	51-12
MANIFOLD VALVE SPOOLS (IVT).....	52-8
MANIFOLD VALVES (IVT).....	52-8
MANIFOLD, AIR CONDITIONER COMPRESSOR.....	90-1
MANIFOLD, CONTROL VALVE (ILS).....	55-42
MANIFOLD, CONTROL VALVE (ILS) (50K/IVT/EV).....	55-44
MANIFOLD, CONTROL VALVE ASSEMBLY (ACTIVE SEAT SUSPENSION).....	92-16
MANIFOLD, EXHAUST.....	20-32
MANIFOLD, LOAD SENSE.....	70-12
MANIFOLD, SELECTIVE CONTROL VALVE.....	71-6
MANUAL LOWERING SCREW, HITCH.....	71-1
MAT, FLOOR.....	91-45
MEDALLION, JOHN DEERE.....	80-54
METRI-PACK CONNECTOR.....	40-6
METRI-PACK CONNECTORS.....	40-4
METRI-PACK TERMINAL.....	40-6
METRI-PACK TERMINALS.....	40-4
MFWD CLUTCH (8130, 8230, 8330).....	51-34
MFWD CLUTCH (8430).....	51-36
MFWD CLUTCH COVER (8130, 8230, 8330).....	51-34
MFWD CLUTCH COVER (8430).....	51-36
MFWD CLUTCH DRUM (8130, 8230, 8330).....	51-34
MFWD CLUTCH DRUM (8430).....	51-36
MFWD DIFFERENTIAL CASE COVER (8130, 8230, 8330).....	54-2
MFWD DIFFERENTIAL CASE COVER (8430).....	54-4
MFWD DIFFERENTIAL INPUT SHAFT (8130, 8230, 8330).....	54-2
MFWD DIFFERENTIAL INPUT SHAFT (8430).....	54-4
MFWD SPUR GEAR DRIVE (8130, 8230, 8330).....	54-2
MFWD SPUR GEAR DRIVE (8430).....	54-4
MIDFRAME ASSEMBLY (IVT).....	80-47
MIDFRAME ASSEMBLY (PST).....	80-46
MIRROR ARM KIT (NORTH AMERICAN ONLY).....	91-20



## ALPHABETICAL INDEX - CONTINUED

	PAGE		PAGE
MIRROR KIT, OUTER (NORTH AMERICAN ONLY).....	91-20	OIL LINES, TURBOCHARGER (HRW01) 8130 MFWD AND 8130 2 WD.....	20-62
MIRROR, REAR VIEW.....	91-16	OIL LINES, TURBOCHARGER (HRW02) 8230MFWD AND 8330 MFWD.....	20-64
MIRROR, REMOTE POWER.....	91-22	OIL LINES, TURBOCHARGER (HRW04) 8430 MFWD.....	20-66
MOBILE RADIO ANTENNA CABLE.....	42-58	OIL LINES, TURBOCHARGER (HRW05) 8130 ILS.....	20-68
MOBILE RADIO BRACKET.....	42-58	OIL LINES, TURBOCHARGER (HRW06) 8230 ILS & 8330 ILS.....	20-70
MOBILE RADIO WIRING HARNESS.....	42-58	OIL LINES, TURBOCHARGER (HRW08) 8430 ILS & 8530 ILS.....	20-72
MODULE (ATC).....	42-14	OIL LINES, UPPER (AUTOTRAC).....	93-4
MODULE, ATC CONTROLLER.....	90-16	OIL PRESSURE SENSOR, TRANSMISSION.....	51-10
MOLDING, FRONT GLASS.....	91-28	OIL PRESSURE SENSOR, TRANSMISSION (ILS).....	55-12
MOTOR BLOWER, DRIVER.....	90-16	OIL PUMP.....	20-52
MOTOR RETURN KIT, MULTIPLE HYDRAULIC.....	70-110	OIL PUMP INTAKE (HRW01) 8130MFWD & 8130 2WD.....	20-20
MOTOR, BLOWER.....	90-11	OIL PUMP INTAKE (HRW02) 8230MFWD & 8330MFWD.....	20-22
MOTOR, HEATER AND A/C BLOWER.....	90-14	OIL PUMP INTAKE (HRW04) 8430MFWD.....	20-24
MOTOR, HEATER AND A/C BLOWER (ATC).....	90-16	OIL PUMP INTAKE (HRW05,HRW06,HRW08) ILS TRACTORS.....	20-26
MOTOR, STARTING.....	43-2	OIL, TRANSMISSION AND HYDRAULIC.....	70-1
MOUNTING BRACKET, VALVE (AUTOTRAC).....	93-12	OPERATOR PRESENCE SWITCH.....	92-4
MOUNTING PARTS, HITCH VALVE.....	70-104	OPERATOR PRESENCE SWITCH (SEAT).....	42-21
MOUNTING, STEERING FLOWMETER (AUTOTRAC).....	93-4	OPTIONAL EH CONTROLLER.....	42-11
MOUNTS, CAB.....	91-2	OPTIONAL EH CONTROLLER WIRING HARNESS.....	42-11
MUD FLAP, REAR FENDER FRONT LOWER.....	91-46	ORIFICE, PISTON COOLING.....	20-44
MUFFLER.....	35-8	OUTLET EXTENSION (ILS DUALS).....	80-20
MUFFLER, EXHAUST.....	35-8	OUTER MIRROR KIT (NORTH AMERICAN ONLY).....	91-20
MULTI POSITION DUALS (8130, 8230, 8330).....	80-36	OUTER ROOF.....	91-42
MULTI POSITION DUALS (HEAVY DUTY) (8130, 8230, 8330).....	80-38	OUTLET SOCKET, ROTARY BEACON LIGHT.....	42-66
MULTI POSITION DUALS (HEAVY DUTY) (8430, 8530).....	80-40	OUTPUT DRIVESHAFT, TRANSMISSION (8130, 8230, 8330).....	51-42
MULTI POSITION DUALS, HEAVY DUTY HUB) (8130, 8230, 8330).....	80-38	OUTPUT DRIVESHAFT, TRANSMISSION (8430).....	51-44
MULTIPLE HYDRAULIC MOTOR RETURN KIT.....	70-110	OUTPUT GEAR, DIFFERENTIAL DRIVE SHAFT (ILS).....	55-8
N			
NEUTRAL START SWITCH.....	42-35	OUTPUT SHAFT.....	51-28
NINE-PIN IMPLEMENT FEEDBACK CONNECTOR.....	41-16	OUTPUT SHAFT.....	51-30
NOZZLE AND PUMP SEAL KIT (HRW01) 8130MFWD & 8130 2WD.....	20-6	OUTPUT SHAFT ADAPTER, PTO (1 3/8" PTO).....	53-31
NOZZLE AND PUMP SEAL KIT (HRW05) 8130 ILS.....	20-12	OUTPUT SHAFT COUPLER, DIFFERENTIAL.....	53-8
O			
O-RING KIT.....	70-118	OUTPUT SHAFT DRUM.....	51-28
O-RING KIT, FRONT HITCH VALVE.....	72-11	OUTPUT SHAFT DRUM.....	51-30
O-RING, MANIFOLD REAR (ILS).....	55-49	OUTPUT SHAFT GEAR.....	51-28
O-RINGS, CONTROL VALVE MANIFOLD REAR (ILS).....	55-49	OUTPUT SHAFT GEAR.....	51-30
OIL COOLER, ENGINE.....	20-58	OUTPUT SHAFT, PTO (OPTIONAL PTO) (1 3/4" SHAFT) (1000 RPM).....	53-26
OIL COOLER, HYDRAULIC.....	25-4	OUTPUT SHAFT, PTO (OPTIONAL PTO) (1 3/8" SHAFT) (540/1000 RPM).....	53-28
OIL COOLER, HYDRAULIC.....	70-31	OUTPUT SHAFT, PTO (STANDARD) (1 3/4" SHAFT) (1000 RPM).....	53-24
OIL DIPSTICK (ALL) NO 8430 MFWD.....	20-40	OUTPUT SHAFT, TRANSMISSION (ILS).....	55-6
OIL DIPSTICK (HRW04) 8430 MFWD ONLY.....	20-41	OUTPUT YOKE, DIFFERENTIAL (L.H.) (ILS).....	55-24
OIL DISPLACEMENT TANKS (ILS).....	55-14	OUTPUT YOKE, DIFFERENTIAL (L.H.) (ILS) (W/ BRAKES) (50K/IVT/ILS).....	55-26
OIL EVACUATION HOUSING (ILS).....	55-12	OUTPUT YOKE, DIFFERENTIAL (R.H.) (ILS).....	55-20
OIL FILTER.....	20-58	OUTPUT YOKE, DIFFERENTIAL (R.H.) (ILS) (W/ BRAKES) (50K/IVT/EV).....	55-22
OIL FILTER, CONTROL VALVE (ACTIVE SEAT SUSPENSION).....	92-16	OVERHAUL KIT, BRAKE VALVE.....	60-32
OIL FILTER, HYDRAULIC.....	70-29		
OIL LINE, GROUND DRIVEN PUMP (ILS).....	55-2		
OIL LINES, DIFFERENTIAL LOCK (ILS/IVT/50K/EV).....	55-18		
OIL LINES, HYDRAULIC TRAILER BRAKE VALVE.....	60-54		
OIL LINES, IMPLEMENT HYDRAULIC.....	70-116		

ALPHABETICAL INDEX - CONTINUED

	PAGE		PAGE
P			
PAN, OIL (HRW01) 8130MFWD & 8130 2WD	20-20	PISTON, PTO BRAKE (8130, 8230)	53-4
PAN, OIL (HRW02) - 8230MFWD & 8330MFWD	20-22	PISTON, REVERSE BRAKE	51-20
PAN, OIL (HRW04) 8430MFWD	20-24	PISTON, SECONDARY BRAKE (EUROPEAN VERSION)	60-41
PAN, OIL (HRW05,HRW06,HRW08) ILS TRACTORS	20-26	PIVOT ASSEMBLY, STEERING (AUTOTRAC)	93-6
PANEL, FENDER STOP (MFWD)	54-28	PIVOT PIN, FRONT AXLE (8130)	80-1
PANEL, FRONT SCREEN	80-49	PIVOT RELEASE PEDAL	60-8
PANEL, SCV SET-UP	42-28	PIVOT SHAFT, HOOD	80-60
PARK BRAKE CLUTCH DISK HOUSING (IVT)	52-22	PIVOT, HOOD	80-56
PARK BRAKE DISK	51-18	PIVOT, STEERING COLUMN	60-4
PARK BRAKE PISTON	51-18	PIVOT, STEERING COLUMN	60-6
PARK BRAKE PISTON (IVT)	52-22	PLANET PINION (ILS) (8130, 8230, 8330)	55-30
PARK BRAKE PISTON RETURN PLATE	51-18	PLANET PINION (ILS) (8430, 8530)	55-32
PARK BRAKE PISTON SEPARATOR PLATE	51-18	PLANET PINION (MFWD) (8130, 8230, 8330)	54-14
PEDAL, CLUTCH	51-2	PLANET PINION (MFWD) (8430)	54-16
PEDAL, PIVOT RELEASE	60-8	PLANET PINION (8130) (100MM)	53-14
PEDALS, BRAKE	60-38	PLANET PINION (8130,8230,8330)(110MM)	53-16
PICK-UP HITCH	70-94	PLANET PINION (8130,8230,8330)(120MM)	53-18
PICK-UP HITCH CONTROLS	70-100	PLANET PINION (8430,8530) (120MM)	53-20
PICK-UP HITCH CYLINDERS	70-96	PLANET PINION CARRIER (ILS) (8130, 8230, 8330)	55-30
PICK-UP HITCH DRAWBAR	70-102	PLANET PINION CARRIER (ILS) (8430, 8530)	55-32
PICK-UP HITCH HYDRAULIC HOSES	70-98	PLANET PINION CARRIER (IVT)	52-27
PILOT VALVE FRONT HITCH KIT	72-10	PLANET PINION CARRIER (IVT)	52-29
PINION CAST REAR WHEEL (HEAVY DUTY) (8130, 8230, 8330)	80-26	PLANET PINION CARRIER (IVT)	52-31
PINION CAST REAR WHEEL (HEAVY DUTY) (8430, 8530)	80-28	PLANET PINION CARRIER (MFWD) (8130, 8230, 8330)	54-14
PINION, CAST REAR WHEEL (NAV) (8130, 8230, 8330)	80-24	PLANET PINION CARRIER (MFWD) (8430)	54-16
PINION, DIFFERENTIAL BEVEL (MFWD) (8130, 8230, 8330)	54-22	PLANET PINION CARRIER (8130) (100MM)	53-14
PINION, DIFFERENTIAL BEVEL (ILS)	55-16	PLANET PINION CARRIER (8130,8230,8330) (110MM)	53-16
PINION, DIFFERENTIAL BEVEL (MFWD) (8430)	54-24	PLANET PINION CARRIER (8130,8230,8330) (120MM)	53-18
PINION, INPUT (4 STEP) (ILS)	55-8	PLANET PINION CARRIER (8430,8530) (120MM)	53-20
PINION, INPUT (5 STEP) (ILS)	55-8	PLANETARY OUTPUT SHAFT (IVT)	52-20
PINION, PLANET (ILS) (8130, 8230, 8330)	55-30	PLATE, BRAKE	60-40
PINION, PLANET (ILS) (8430, 8530)	55-32	PLATE, BRAKE (SECONDARY BRAKE) (EUROPEAN VERSION)	60-41
PINION, PLANET (MFWD) (8130, 8230, 8330)	54-14	PLATE, CAM COVER	20-74
PINION, PLANET (MFWD) (8430)	54-16	PLATE, DIFFERENTIAL (ILS)	55-16
PINION, PLANET (8130) (100MM)	53-14	PLATE, DIFFERENTIAL CASE SKID (ILS)	55-12
PINION, PLANET (8130,8230,8330)(110MM)	53-16	PLATE, DIFFERENTIAL SEPARATOR (MFWD) (8130, 8230, 8330)	54-22
PINION, PLANET (8130,8230,8330)(120MM)	53-18	PLATE, DIFFERENTIAL SEPARATOR (MFWD)(8430)	54-24
PINION, PLANET (8430,8530) (120MM)	53-20	PLATE, FRONT	20-74
PINION, SUN (ILS) (8130, 8230, 8330)	55-30	PLATE, LICENSE PLATE AND LAMP (EUROPEAN VERSION)	80-67
PINION, SUN (ILS) (8430, 8530)	55-32	PLATE, PARK BRAKE PISTON RETURN	51-18
PINION, SUN (MFWD) (8130, 8230, 8330)	54-14	PLATE, PARK BRAKE PISTON SEPARATOR	51-18
PINION, SUN (MFWD) (8430)	54-16	PLATE, REVERSE BRAKE PISTON RETURN	51-20
PINS, STEERING CYLINDER ATTACHING (MFWD)	60-23	PLATE, REVERSE BRAKE SEPARATOR	51-20
PIPE, EXHAUST	35-8	PLATE, ROTARY BEACON LIGHT	42-66
PIPES, AIR INTAKE	35-4	PLUG, ARMREST	42-36
PISTON	20-48	PLUG, ROTARY BEACON LIGHT	42-66
PISTON COOLING ORIFICE	20-44	PLUGS, CONTROL VALVE MANIFOLD (ILS)	55-46
PISTON RINGS	20-48	PLUGS, DIFFERENTIAL CASE LOWER (ILS)	55-10
PISTON, BRAKE	60-40	PLUGS, HITCH FRAME	70-48
PISTON, CONNECTING ROD CYLINDER LINER	20-48	POSITION SENSOR (EUROPEAN VERSION)	42-7
PISTON, PARK BRAKE	51-18	POSITION SENSOR (NORTH AMERICAN VERSION)	42-3
PISTON, PARK BRAKE (IVT)	52-22	POSITION SENSOR (NORTH AMERICAN VERSION)	42-5
PISTON, PTO BRAKE	53-6	POSITION SENSOR, IFS (ILS)	55-34

## ALPHABETICAL INDEX - CONTINUED

	PAGE		PAGE
POSITION SENSOR, ROCKSHAFT	70-36	PULLEY, CRANKSHAFT (8130, 8230, 8330)	20-2
POSITIVE TERMINAL	43-6	PULLEY, CRANKSHAFT (8430, 8530)	20-3
POST UPHOLSTERY (CAB)	91-16	PULLEY, IDLER	25-16
POTENTIOMETER, DRAFT LINK	70-38	PULLEYS, VARIABLE FAN DRIVE	25-10
POTENTIOMETER, ENGINE SPEED CONTROL (ARMREST)	42-32	PUMP DRIVE HOUSING	53-6
POTENTIOMETER, HITCH CONTROL LEVER (ARMREST)	42-36	PUMP DRIVE HOUSING (8130, 8230)	53-4
POTENTIOMETER, HITCH DRAFT SENSOR	41-4	PUMP, FUEL INJECTION (HRW02) 8230 MFWD & 8330 MFWD	20-8
POTENTIOMETER, HITCH POSITION	41-4	PUMP, FUEL INJECTION (HRW04) 8430 MFWD	20-10
POTENTIOMETER, HITCH RAISE LIMIT (ARMREST)	42-36	PUMP, FUEL INJECTION (HRW06) 8230 ILS & 8330 ILS	20-14
POTENTIOMETER, HITCH RATE OF DROP (ARMREST)	42-36	PUMP, FUEL INJECTION (HRW08) 8430 ILS & 8530 ILS	20-16
POTENTIOMETER, SELECTIVE CONTROL (ARMREST)	42-40	PUMP, FUEL UNIT (HRW01) 8130MFWD & 8130 2WD	20-6
POWER BEYOND COUPLER KIT	71-16	PUMP, FUEL UNIT (HRW05) 8130 ILS	20-12
POWER MIRROR, REMOTE	91-22	PUMP, GROUND DRIVE	70-10
POWERSHIFT CONTROL UNIT (PCU)	41-4	PUMP, HYDRAULIC	70-6
PRESSURE CONTROL VALVE KIT	51-4	PUMP, INTAKE OIL (HRW01) 8130MFWD & 8130 2WD	20-20
PRESSURE CONTROL VALVE, MANIFOLD	51-4	PUMP, INTAKE OIL (HRW02) 8230MFWD & 8330MFWD	20-22
PRIMARY ELEMENT, ENGINE	35-2	PUMP, INTAKE OIL (HRW04) 8430MFWD	20-24
PTO (OPTIONAL) (1 3/4" SHAFT) (1000 RPM)	53-26	PUMP, INTAKE OIL (HRW05, HRW06, HRW08) ILS TRACTORS	20-26
PTO (OPTIONAL) (1 3/8" SHAFT) (540/1000 RPM)	53-28	PUMP, OIL	20-52
PTO (STANDARD) (1 3/4" SHAFT) (1000 RPM)	53-24	PUMP, SCAVENGE	51-32
PTO BRAKE PISTON	53-6	PUMP, TRANSMISSION (IVT)	70-28
PTO BRAKE PISTON (8130, 8230)	53-4	PUMP, TRANSMISSION (PST) (8130, 8230, 8330)	70-26
PTO CLUTCH	53-6	PUMP, TRANSMISSION (PST) (8430)	70-27
PTO CLUTCH (8130, 8230)	53-4	PUMP, WATER	20-28
PTO CLUTCH DRUM	53-6	PUSH ROD	20-50
PTO CLUTCH DRUM (8130, 8230)	53-4		
PTO CLUTCH HUB	53-6	Q	
PTO CLUTCH HUB (8130, 8230)	53-4	QUICK COUPLER KIT, SCV	71-10
PTO DRIVESHAFT (8130, 8230, 8330)	51-42	QUICK COUPLER, IMPLEMENT (CATEGORY III/IIIN)	70-62
PTO DRIVESHAFT (8430)	51-44	QUICK COUPLER, IMPLEMENT (CATEGORY IV)	70-64
PTO ELECTRO-HYDRAULIC VALVE	53-2	QUILL, DIFFERENTIAL	53-12
PTO FITTINGS	53-2	QUILL, DIFFERENTIAL BEARING	53-12
PTO HOUSING	51-32	QUILL, DIFFERENTIAL DRIVESHAFT INPUT	53-8
PTO HOUSING (OPTIONAL PTO) (1 3/4" SHAFT) (1000 RPM)	53-26		
PTO HOUSING (OPTIONAL PTO) (1 3/8" SHAFT) (540/1000 RPM)	53-28	R	
PTO HOUSING (STANDARD) (1 3/4" SHAFT) (1000 RPM)	53-24	RADAR	41-11
PTO IDLER BEARING QUILL (IVT) (FRONT)	52-6	RADAR, DUAL BEAM	41-11
PTO MAGNETIC PICK-UP SENSOR	53-2	RADIATOR	25-4
PTO MASTER SHIELD	53-30	RADIATOR DEAERATION HOSES	25-2
PTO OUTPUT SHAFT (OPTIONAL PTO) (1 3/4" SHAFT) (1000 RPM)	53-26	RADIATOR HOSE	25-2
PTO OUTPUT SHAFT (OPTIONAL PTO) (1 3/8" SHAFT) (540/1000 RPM)	53-28	RADIATOR SEAL	25-4
PTO OUTPUT SHAFT (STANDARD) (1 3/4" SHAFT) (1000 RPM)	53-24	RADIATOR SUPPORT	25-4
PTO OUTPUT SHAFT ADAPTER (1 3/8" PTO)	53-31	RADIO (CAB HARNESS)	42-54
PTO SAFETY WARNING LABEL	94-4	RADIO (DETAILED)	42-60
PTO SHAFT	51-32	RADIO (EUROPEAN VERSION)	42-7
PTO SHAFT (IVT)	52-12	RADIO (NORTH AMERICAN VERSION)	42-3
PTO SHAFT (IVT)	52-14	RADIO (NORTH AMERICAN VERSION)	42-5
PTO SHIELD SUPPORT	53-30	RADIO ANTENNA	42-60
PTO VALVES	53-2	RADIO ANTENNA	42-62
PTO, REAR SWITCH	42-36	RADIO ANTENNA BASE	42-62
PUCK, SLIDE (SEAT SUSPENSION)	92-8		
PULLEY, AIR BRAKE BELT	60-68		
PULLEY, ALTERNATOR	43-1		
PULLEY, ASPIRATOR DRIVE	25-16		

## ALPHABETICAL INDEX - CONTINUED

	PAGE		PAGE
RADIO ANTENNA CABLE.....	42-62	RETAINER, HEAVY DUTY DRAWBAR (CATEGORY IV).....	70-70
RADIO ANTENNA GROUND PLANE.....	42-62	RETAINING SHAFT (AIR SEAT).....	92-10
ADIO BEZEL.....	42-54	RETAINING SHAFT, SEAT SUSPENSION.....	92-6
ADIO BEZEL BRACKET.....	42-54	RETURN PLATE, PARK BRAKE PISTON.....	51-18
ADIO KNOB KIT.....	42-54	RETURN PLATE, REVERSE BRAKE PISTON.....	51-20
RADIO KNOBS.....	42-54	REVERSE BRAKE (IVT).....	52-26
RADIO, ANTENNA AND SPEAKER KIT.....	42-60	REVERSE BRAKE DISK.....	51-20
AISE/LOWER SEAT SWITCH.....	42-21	REVERSE BRAKE HOUSING (IVT) (REAR).....	52-2
EAR EXTENSION, REAR FENDER.....	91-18	REVERSE BRAKE HOUSING (IVT) (REAR).....	52-4
EAR FENDER FRONT LOWER MUD FLAP.....	91-46	REVERSE BRAKE PISTON.....	51-20
REAR FENDER WORK LIGHT.....	44-12	REVERSE BRAKE PISTON RETURN PLATE.....	51-20
REAR FENDER WORK LIGHT.....	44-13	REVERSE BRAKE SEPARATOR PLATE.....	51-20
EAR FENDER WORK LIGHT BOOT.....	44-12	REVERSE IDLER.....	51-22
EAR FENDER WORK LIGHT BRACKET.....	44-13	REVERSE IDLER GEAR.....	51-22
REAR FENDER WORK LIGHT BRACKET.....	44-13	REVERSER, LEFT HAND.....	60-2
REAR FENDER, REAR EXTENSION.....	91-18	RIGHT HAND CONSOLE WIRING HARNESS.....	42-27
EAR HITCH REMOTE SWITCH.....	41-19	RIGHT HAND STEP.....	91-6
EAR PTO REMOTE SWITCH.....	41-19	RIGHT-HAND CONSOLE.....	91-12
REAR ROOF FLOOD LIGHTS.....	42-64	RIGHT-HAND GLASS, STATIONARY.....	91-30
REAR ROOF WORK LAMP.....	44-11	RIGHT-HAND OPENING WINDOW (EUROPEAN VERSION).....	91-31
REAR ROOF WORK LAMP BRACKET.....	44-11	RIM, FRONT WHEEL (MFWD) 12 BOLT (8-POSITION) (8130, 8230, 8330).....	80-16
EAR SUNSHADE KIT.....	91-44	RIMS, FRONT WHEELS (ILS) (DUALS) (10 BOLT 8 POSITION).....	80-20
EAR UPHOLSTERY.....	91-15	RIMS, FRONT WHEELS (MFWD) (12 BOLT) (16-POSITION) (WITH DUAL).....	80-23
REAR VIEW MIRROR.....	91-16	RIMS, FRONT WHEELS (MFWD) (12 BOLT) (2-POSITION) (EUROPEAN VERSION).....	80-22
REAR WASHER.....	91-25	RING GEAR, FINAL DRIVE (8130) (100MM).....	53-14
REAR WASHER KIT.....	91-24	RING GEAR, FINAL DRIVE (8130,8230,8330) (110MM).....	53-16
EAR WHEELS, CAST (HEAVY DUTY) (8130, 8230, 8330).....	80-26	RING GEAR, FINAL DRIVE (8130,8230,8330) (120MM).....	53-18
EAR WHEELS, CAST (HEAVY DUTY) (8430, 8530).....	80-28	RING GEAR, FINAL DRIVE (8430,8530) (120MM).....	53-20
EAR WHEELS, CAST (NAV) (8130, 8230, 8330).....	80-24	RING GEAR, FLYWHEEL.....	20-5
EAR WINDOW.....	91-32	RINGS, PISTON.....	20-48
REAR WINDSHIELD WIPER CONNECTOR.....	40-9	ROCKER ARM / SHAFT / TAPPET PUSH ROD.....	20-50
REAR WIPER HOLE COVER.....	91-41	ROCKER ARM COVER.....	20-1
EAR WIPER MOTOR.....	42-64	ROCKER ARM SHAFT SUPPORT.....	20-50
ECEIVER-DRYER.....	25-4	ROCKER ARM, VENT.....	35-1
ECEIVER-DRYER.....	90-6	ROCKER ARM, VENT LINES.....	35-1
REFLECTOR LABEL, EXTREMITY WARNING LAMP.....	44-14	ROCKSHAFT.....	70-35
REFLECTOR LABEL, EXTREMITY WARNING LAMP.....	44-16	ROCKSHAFT POSITION SENSOR.....	70-36
EFRIGERANT LINES (-XXXXXX).....	90-18	ROD, BRAKE PEDAL.....	60-38
EFRIGERANT LINES (XXXXXX-).....	90-20	ROD, CONNECTING.....	20-48
EGULAR DRAWBAR (EUROPEAN VERSION).....	70-80	ROD, TIE.....	80-12
REGULAR DRAWBAR (NORTH AMERICAN VERSION)(CAT III)(8130,8230,8330).....	70-66	ROD, TIE (ILS).....	55-38
EGULAR DRAWBAR (NORTH AMERICAN VERSION)(CAT IV) (8430, 8530).....	70-68	ROD, TIE (MFWD) (8130, 8230, 8330).....	54-26
ELAY TERMINAL BOARD.....	40-9	ROD, TIE (MFWD) (8430).....	41-1
RELAY, LOAD CENTER.....	42-74	ROOF SIDE WORK LAMP.....	41-1
RELAY, STARTING CIRCUIT.....	42-16	ROOF WARNING LIGHTS (NORTH AMERICAN VERSION).....	42-64
RELEASE PEDAL, PIVOT.....	60-8	ROOF WIRING HARNESS.....	42-64
RELIEF VALVE, GROUND DRIVE PUMP.....	70-10	ROOF WIRING HARNESS (NORTH AMERICAN VERSION).....	44-9
REMOTE CYLINDER CONTROL KIT.....	71-14	ROOF INNER.....	91-41
REMOTE POWER MIRROR.....	91-22	ROOF OUTER.....	91-42
REMOTE SWITCHES, REAR PTO, HITCH CONTROL.....	41-19	ROTARY BEACON LIGHT APERTURE.....	42-66
RESERVOIR, AUXILLARY, SEAT SUSPENSION.....	92-8	ROTARY BEACON LIGHT BEZEL.....	42-66
RESERVOIR, HYDRAULIC AUXILIARY.....	70-30	ROTARY BEACON LIGHT BRACKET.....	42-66
RESISTOR, HEATER AND A/C.....	90-14		
RETAINER ASSY, ROTARY BEACON LIGHT.....	42-66		
RETAINER PLUG, ROTARY BEACON LIGHT.....	42-66		
RETAINER, BRAKE SWITCH.....	42-52		
RETAINER, DRAWBAR (NORTH AMERICAN VERSION) (CAT IV) (8430, 8530).....	70-68		
RETAINER, DRAWBAR (NORTH AMERICAN VERSION)(CAT III)(8130,8230,8330).....	70-66		

## ALPHABETICAL INDEX - CONTINUED

	PAGE		PAGE
ROTARY BEACON LIGHT BULB.....	42-66	SEAT SUPPORT.....	92-15
ROTARY BEACON LIGHT FLARE.....	42-66	SEAT SUPPORT.....	92-18
ROTARY BEACON LIGHT HALF CLAMP.....	42-66	SEAT SUSPENSION (ACTIVE SEAT).....	92-6
ROTARY BEACON LIGHT KIT.....	42-66	SEAT SUSPENSION ACCELEROMETER.....	92-8
ROTARY BEACON LIGHT KNOB.....	42-66	SEAT SUSPENSION, ACTUATOR.....	92-8
ROTARY BEACON LIGHT PLATE.....	42-66	SEAT SUSPENSION, ROTARY SENSOR.....	92-8
ROTARY BEACON LIGHT PLUG.....	42-66	SEAT W/AIR SUSP(LH TILT-UP ARMREST).....	92-1
ROTARY BEACON LIGHT RETAINER ASSY.....	42-66	SEAT WIRING HARNESS.....	42-21
ROTARY BEACON LIGHT RETAINER PLUG.....	42-66	SEAT WIRING HARNESS, ACTIVE.....	42-22
ROTARY BEACON LIGHT SOCKET OUTLET.....	42-66	SEAT, COMPLETE (AIR SEAT).....	92-1
ROTARY BEACON LIGHT SWITCH.....	42-66	SEAT, COMPLETE(ACTIVE).....	92-1
ROTARY BEACON LIGHT WIRING HARNESS.....	42-66	SEAT, UPPER LEATHER (W/HEATER).....	92-2
ROTARY SENSOR, SEAT SUSPENSION.....	92-8	SECONDARY BRAKE DISKS.....	
ROTATING BEACON SWITCH KIT.....	42-70	(EUROPEAN VERSION).....	60-41
		SECONDARY BRAKE LEVER.....	60-48
<b>S</b>		SECONDARY BRAKE SOLENOID VALVE.....	
SAFETY CHAIN ADAPTER KIT, IMPLEMENT.....	70-82	(EUROPEAN VERSION).....	60-52
SCAVENGE PUMP.....	51-32	SECONDARY ELEMENT, ENGINE.....	35-2
SCAVENGE PUMP (IVT).....	52-24	SECURITY LOCK, DOOR HANDLE.....	
SCAVENGE PUMP HOUSING.....	51-32	(PARTS KIT).....	91-38
SCREEN, FRONT.....	80-54	SELECTIVE CONTROL BRACKET (ARMREST).....	42-42
SCREEN, FRONT PANEL.....	80-49	SELECTIVE CONTROL LEVER BRACKET.....	
SCREENS, HOOD.....	80-52	(ARMREST).....	42-40
SCREW, ADJ HEADLIGHT.....	44-4	SELECTIVE CONTROL LEVER SENSOR (ARMREST).....	42-42
SCREW, FLYWHEEL TO CRANKSHAFT.....	20-46	SELECTIVE CONTROL LEVERS 1, 2, 3.....	
SCREWS, ADJ HEADLIGHTS.....	44-5	(ARMREST).....	42-40
SCV HYD QUICK COUPLER KIT.....	71-10	SELECTIVE CONTROL LEVERS 1, 2, 3.....	
SCV REMOTE CONTROL KIT.....	71-14	WIRING HARNESS (ARMREST).....	42-40
SCV, TIE BOLT.....	71-1	SELECTIVE CONTROL LEVERS 4 AND 5.....	
SEAL KIT, A/C COMPRESSOR.....	90-2	(ARMREST).....	42-42
SEAL KIT, HYDRAULIC PUMP.....	70-8	SELECTIVE CONTROL LEVERS 4 AND 5 WIRING.....	
SEAL KIT, HYDRAULIC PUMP.....	70-10	HARNESS (ARMREST).....	42-42
SEAL KIT, NOZZLE AND PUMP (HRW01).....		SELECTIVE CONTROL OPTION (SCO).....	41-4
8130MFWD & 8130 2WD.....	20-6	SELECTIVE CONTROL POTENTIOMETER.....	
SEAL KIT, NOZZLE AND PUMP (HRW05).....		(ARMREST).....	42-40
8130 ILS.....	20-12	SELECTIVE CONTROL UNIT (SCU).....	41-4
SEAL KIT, SECONDARY BRAKE SOLENOID VALVE.....		SELECTIVE CONTROL VALVE (AUXILIARY).....	
(EUROPEAN VERSION).....	60-52	(W/ DELUXE END COVER).....	71-8
SEAL KIT, STEERING CYLINDER (MFWD).....		SELECTIVE CONTROL VALVE (SCV).....	41-4
(8130, 8230, 8330).....	60-18	SELECTIVE CONTROL VALVE CONVERSION KIT.....	71-2
SEAL KIT, STEERING CYLINDER (MFWD).....		SELECTIVE CONTROL VALVE DRAIN LINES.....	71-20
(8130, 8230, 8330).....	60-20	SELECTIVE CONTROL VALVE END COVER.....	
SEAL KIT, STEERING CYLINDER (MFWD).....		(STANDARD AND DELUXE).....	71-1
(8430).....	60-19	SELECTIVE CONTROL VALVE LINES (IVT).....	71-19
SEAL KIT, STEERING CYLINDER (MFWD).....		SELECTIVE CONTROL VALVE LINES (PST).....	71-18
(8430).....	60-21	SELECTIVE CONTROL VALVE MANIFOLD.....	71-6
SEAL KIT, SUSPENSION CYLINDER (ILS).....	55-54	SELECTOR, TRANSMISSION CONTROL (ARMREST).....	
SEAL, AIR CIRCULATION.....	90-12	(PST).....	42-34
SEAL, FAN SHROUD.....	25-6	SENDER, FUEL.....	35-14
SEAL, HEATER AND A/C COMPARTMENT.....	90-22	SENSOR, AIR FILTER RESTRICTION.....	41-6
SEAL, RADIATOR.....	25-4	SENSOR, AIR TEMPERATURE (ATC).....	42-14
SEAL, WINDSHIELD.....	91-28	SENSOR, AIR TEMPERATURE (ATC).....	91-41
SEALANT.....	80-65	SENSOR, CLEAN OIL LEVEL.....	
SEALS, HEADLIGHT.....	44-5	(COUNTERSHAFT SPEED).....	51-38
SEALS, HOOD.....	80-54	(COUNTERSHAFT SPEED).....	51-40
SEAT BELT, INSTRUCTIONAL SEAT.....	92-20	(COUNTERSHAFT SPEED).....	55-2
SEAT HEIGHT SWITCH.....	92-4	SENSOR, CRANKSHAFT POSITION.....	20-44
SEAT INSTRUCTIONAL.....	92-20	SENSOR, ENG. AIR CLEANER.....	35-2
SEAT KIT (AIR LINE).....	92-13	SENSOR, EVAPORATOR (ATC).....	42-14
SEAT KIT (AIR SPRING).....	92-12	SENSOR, HYDRAULIC OIL FILTER.....	70-29
SEAT KIT, ARM REST.....	92-4	SENSOR, HYDRAULIC OIL FILTER RESTRICTION.....	41-4
SEAT KIT, TOP FRAME.....	92-2	SENSOR, HYDRAULIC OIL PRESSURE.....	41-4
SEAT KITS.....	92-2	SENSOR, HYDRAULIC OIL TEMPERATURE.....	41-4
SEAT OPERATOR PRESENCE SWITCH.....	42-21	SENSOR, IFS POSITION (ILS).....	55-34
SEAT RAISE/LOWER SWITCH.....	42-21	SENSOR, POSITION (EUROPEAN VERSION).....	42-7
		SENSOR, POSITION (NORTH AMERICAN.....	
		VERSION).....	42-3

## ALPHABETICAL INDEX - CONTINUED

	PAGE		PAGE
SENSOR, POSITION (NORTH AMERICAN VERSION).....	42-5	SHAFT, TRANSMISSION OUTPUT(W/PARK BRAKE) (IVT).....	52-22
SENSOR, PTO MAGNETIC PICK-UP.....	53-2	SHAFT, VARIABLE FAN DRIVE.....	25-10
SENSOR, PTO SPEED (STANDARD).....	41-4	SHEAVES, VARIABLE FAN DRIVE.....	25-10
SENSOR, REAR PTO SPEED.....	41-4	SHIELD SUPPORT, PTO.....	53-30
SENSOR, ROCKSHAFT POSITION.....	70-36	SHIELD, ALTERNATOR LH REAR.....	80-58
SENSOR, ROTARY, SEAT SUSPENSION.....	92-8	SHIELD, AUXILIARY DRIVE.....	25-16
SENSOR, SECONDARY HAND BRAKE RESERVOIR LEVEL (EUROPEAN VERSION).....	42-6	SHIELD, EXHAUST.....	35-6
SENSOR, SELECTIVE CONTROL LEVER (ARMREST).....	42-42	SHIELD, EXHAUST.....	35-8
SENSOR, STEERING POSITION (NOT SERVICED).....	92-6	SHIELD, EXTREMITY WARNING LAMP.....	44-14
SENSOR, TRANSMISSION OIL PRESSURE.....	51-10	SHIELD, EXTREMITY WARNING LAMP.....	44-16
SENSOR, TRANSMISSION OIL PRESSURE (IVT).....	52-8	SHIELD, FLYWHEEL (RLS).....	55-12
SENSOR, TRANSMISSION OIL PRESSURE (ILS).....	55-12	SHIELD, MUFFLER.....	35-8
SENSOR, WHEEL SPEED.....	41-4	SHIELD, PTO MASTER.....	53-30
SENSOR, WHEEL SPEED.....	53-10	SHIELD, REAR FENDER.....	91-18
SEPARATOR PLATE, DIFFERENTIAL (MFWD) (8130, 8230, 8330).....	54-22	SHIELD, REAR TURBO.....	80-58
SEPARATOR PLATE, DIFFERENTIAL (MFWD)(8430).....	54-24	SHIELD, TURBO.....	35-6
SEPARATOR PLATE, PARK BRAKE PISTON.....	51-18	SHIELD, WAGON HITCH BRACKET.....	70-84
SEPARATOR PLATE, REVERSE BRAKE.....	51-20	SHIELDS, HEAT.....	80-54
SET-UP PANEL (SUP).....	42-28	SHIFT LEVER GUIDE (ARMREST)(PST).....	42-34
SET-UP PANEL (SUP).....	42-30	SHIFT LEVER KNOB (ARMREST)(PST).....	42-34
SEVEN-TERMINAL OUTLET SOCKET (EUROPEAN VERSION).....	42-6	SHIFT LEVER, TRANSMISSION CONTROL (ARMREST)(PST).....	42-34
SEVEN-TERMINAL OUTLET SOCKET (8430,8530)(NORTH AMERICAN VERSION).....	42-4	SHIM, DRAFT LINK ADJ RANGE.....	70-55
SEVEN-TERMINAL OUTLET SOCKET (8130, 8230,8330)(NORTH AMERICAN VERSION).....	42-2	SHIM, DRAFT LINK BUMPER.....	70-55
SHAFT, AXLE (8130) (100MM).....	53-14	SHOCK CABLE (AIR SEAT SUSPENSION).....	92-10
SHAFT, AXLE (8130,8230,8330)(110MM).....	53-16	SHOCK OBSORBER, AIR SEAT.....	92-10
SHAFT, AXLE (8130,8230,8330)(120MM).....	53-18	SHROUD, FAN.....	25-6
SHAFT, AXLE (8430,8530) (120MM).....	53-20	SINGLE LEVER CONTROL.....	42-48
SHAFT, DIFFERENTIAL BEVEL PINION.....	53-12	SKID PLATE (ILS).....	55-12
SHAFT, DIFFERENTIAL BEVEL PINION (MFWD) (8130, 8230, 8330).....	54-22	SLEEVE, MANIFOLD.....	51-14
SHAFT, DIFFERENTIAL BEVEL PINION (MFWD)(8430).....	54-24	SLEEVE, TRANSMISSION COUNTERSHAFT.....	51-16
SHAFT, DIFFERENTIAL BEVEL PINION (ILS).....	55-16	SLEEVE, TRANSMISSION COUNTERSHAFT.....	51-20
SHAFT, DIFFERENTIAL INPUT (MFWD) (8130, 8230, 8330).....	54-2	SLEEVE, TRANSMISSION INPUT SHAFT.....	51-16
SHAFT, DIFFERENTIAL INPUT (MFWD) (8430).....	54-4	SLEEVE, TRANSMISSION INPUT SHAFT.....	51-20
SHAFT, DIFFERENTIAL SPIRAL BEVEL.....	53-22	SLEEVES STEEL DISK WHEELS (10-BOLT HUB) (HEAVY DUTY) (8430, 8530).....	80-34
SHAFT, DRAFT SENSOR.....	70-38	SLEEVES STEEL DISK WHEELS (10-BOLT HUB) (8130, 8230, 8330).....	80-30
SHAFT, DRIVE (IVT).....	52-14	SLEEVES STEEL REAR WHEELS (10 BOLT HUB) (HEAVY DUTY) (8130, 8230, 8330).....	80-32
SHAFT, HOOD CONTROL PIVOT.....	80-60	SLEEVES, CAST REAR WHEELS (HEAVY DUTY) (8420, 8520) (110 MM).....	80-26
SHAFT, IDLER, CLUTCH UNIT (IVT).....	52-30	SLEEVES, CAST REAR WHEELS (HEAVY DUTY) (8420, 8520) (120 MM).....	80-26
SHAFT, INPUT.....	51-24	SLEEVES, CAST REAR WHEELS (HEAVY DUTY) (8430, 8530) (110 MM).....	80-28
SHAFT, INPUT (IVT).....	52-10	SLEEVES, CAST REAR WHEELS (HEAVY DUTY) (8430, 8530) (120 MM).....	80-28
SHAFT, OUTPUT.....	51-28	SLEEVES, CAST REAR WHEELS (100 MM AXLE) (8130, 8230, 8330).....	80-24
SHAFT, OUTPUT.....	51-30	SLEEVES, CAST REAR WHEELS (110 MM AXLE) (8130, 8230, 8330).....	80-24
SHAFT, PLANETARY OUTPUT (IVT).....	52-20	SLEEVES, HEAVY DUTY MULTI POSITION DUALS (8130, 8230, 8330).....	80-38
SHAFT, PTO.....	51-32	SLEEVES, MULTI POSITION DUALS (8130, 8230, 8330).....	80-36
SHAFT, PTO (IVT).....	52-12	SLEEVES, MULTI POSITION DUALS (HEAVY DUTY (8430, 8530).....	80-40
SHAFT, PTO (IVT).....	52-14	SLIDE PUCK, SEAT SUSPENSION.....	92-8
SHAFT, PTO OUTPUT (OPTIONAL PTO) (1 3/4" SHAFT) (1000 RPM).....	53-26	SLOW MOVING VEHICLE EMBLEM.....	80-66
SHAFT, PTO OUTPUT (OPTIONAL PTO) (1 3/8" SHAFT) (540/1000 RPM).....	53-28	SMV EMBLEM.....	80-66
SHAFT, PTO OUTPUT (STANDARD) (1 3/4" SHAFT) (1000 RPM).....	53-24	SNAP TO CONNECT FITTINGS.....	70-117
SHAFT, ROCKER ARM.....	20-50	SNAP TO CONNECT REPAIR RINGS.....	70-117
SHAFT, STEERING.....	60-4	SOLENOID SWITCH, STARTING MOTOR.....	43-2
SHAFT, TRANSMISSION OUTPUT (ILS).....	55-6	SOLENOID VALVE (MANIFOLD).....	51-6
		SOLENOID VALVE (REAR DIFFERENTIAL).....	53-10

## ALPHABETICAL INDEX - CONTINUED

	PAGE	PAGE	
SOLENOID VALVE, MANIFOLD (ILS).....	55-42	STEERING CYLINDER (ILS).....	55-40
SOLENOID VALVE, MANIFOLD (ILS) (50K/IVT/EV).....	55-44	STEERING CYLINDER (MFWD) (8130, 8230, 8330).....	60-18
SOLENOID VALVE, SECONDARY BRAKE (EUROPEAN VERSION).....	60-52	STEERING CYLINDER (MFWD) (8130, 8230, 8330).....	60-20
SOLENOID, HITCH VALVE.....	71-12	STEERING CYLINDER (MFWD) (8430).....	60-19
SOLENOID, PTO.....	41-4	STEERING CYLINDER (MFWD) (8430).....	60-21
SOLENOID, SCV.....	41-4	STEERING CYLINDER ATTACHING PINS (MFWD).....	60-23
SOLENOID, SCV (CHASSIS HARNESS).....	41-4	STEERING CYLINDER LINES (ILS).....	55-58
SOLENOID, VAR FAN DRIVE.....	25-8	STEERING CYLINDER LINES (MFWD).....	60-24
SPACER (ACTIVE SEAT ONLY)(FI).....	92-15	STEERING CYLINDER LINES (W/O MFWD) (8130).....	60-26
SPACER, ARMREST.....	92-4	STEERING FLOWMETER (AUTOTRAC).....	93-2
SPEAKERS.....	42-60	STEERING PIVOT ASSEMBLY (AUTOTRAC).....	93-6
SPEED SENSOR JUMPER HARNESS (ILS).....	55-8	STEERING POSITION SENSOR (NOT SERVICED).....	93-6
SPEED SENSOR, WHEEL.....	53-10	STEERING SHAFT.....	60-4
SPIRAL BEVEL GEAR W/SHAFT, DIFFERENTIAL (MFWD) (8130, 8230, 8330).....	54-22	STEERING UNIVERSAL JOINT.....	60-4
SPIRAL BEVEL GEAR W/SHAFT, DIFFERENTIAL (MFWD)(8430).....	54-24	STEERING VALVE (ILS).....	55-56
SPIRAL BEVEL GEAR, DIFFERENTIAL.....	53-22	STEERING VALVE (ILS).....	60-13
SPIRAL BEVEL GEAR, DIFFERENTIAL (ILS).....	55-16	STEERING VALVE (ILS) (W/ AUTOTRAC).....	55-57
SPIRAL BEVEL SHAFT, DIFFERENTIAL.....	53-22	STEERING VALVE (MFWD) (W/AUTOTRAC) (8130, 8230, 8330).....	60-11
SPRING, HOOD PIVOT.....	80-60	STEERING VALVE (MFWD)(8130, 8230, 8330).....	60-11
SPRING, ROCKER ARM SHAFT.....	20-50	STEERING VALVE (MFWD)(8430).....	60-12
SPUR GEAR DRIVE (MFWD) (8130, 8230, 8330).....	54-2	STEERING VALVE (8130) (2WD) (PST).....	60-10
SPUR GEAR DRIVE (MFWD) (8430).....	54-4	STEERING VALVE BRACKET.....	60-9
STABILIZER, DRAFT LINK HITCH.....	70-56	STEERING VALVE LINES.....	60-14
STABILIZER, HITCH (DELUXE) (EUROPEAN VERSION).....	70-112	STEERING WHEEL.....	60-1
STABILIZER, HITCH (EUROPEAN VERSION).....	70-114	STEP, LEFT HAND.....	91-4
STANDARD HOOD LIGHTING.....	44-4	STEP, MIDFRAME CONVENIENCE.....	80-51
STANDARD SCV END COVER.....	71-1	STEP, RIGHT HAND.....	91-6
START SWITCH CONNECTOR.....	40-9	STORAGE TRAY.....	43-4
STARTER (DENSO) 12V.....	20-33	STORAGE TRAY.....	91-48
STARTER LABEL.....	20-33	STORAGE TRAY, ELECTRICAL CONNECTORS AND TERMINALS.....	40-1
STARTING AID.....	20-42	STRAP, ACCUMULATOR (ILS).....	55-55
STARTING AID.....	35-10	STRAP, FUEL TANK.....	35-14
STARTING CIRCUIT RELAY.....	42-16	STRAPS, LIFT.....	20-78
STARTING CIRCUIT RELAY COVER.....	42-16	STRIKER, HOOD LATCH.....	80-50
STARTING MOTOR.....	43-2	STUD, VAR FAN DRIVE MOUNTING.....	25-8
STARTING MOTOR CLUTCH.....	43-2	SUN DRIVE GEARS (IVT).....	52-16
STARTING MOTOR SOLENOID SWITCH.....	43-2	SUN GEARS, INPUT PLANETARY CARRIER (IVT).....	52-18
STATIONARY RIGHT-HAND GLASS.....	91-30	SUN PINION (ILS) (8130, 8230, 8330).....	55-30
STATOR, A/C.....	90-4	SUN PINION (ILS) (8430, 8530).....	55-32
STEEL DISK REAR WHEELS (10-BOLT HUB) (HEAVY DUTY) (8130, 8230, 8330).....	80-32	SUN PINION (MFWD) (8130, 8230, 8330).....	54-14
STEEL DISK REAR WHEELS (10-BOLT HUB) (HEAVY DUTY) (8430, 8530).....	80-34	SUN PINION (MFWD) (8430).....	54-16
STEEL DISK REAR WHEELS (10-BOLT HUB) (8130, 8230, 8330).....	80-30	SUNSHADE KIT, FRONT.....	91-43
STEEL DISK WHEEL WEIGHTS.....	80-45	SUNSHADE KIT, REAR.....	91-44
STEERING ARM.....	80-12	SUPPORT, DRAFT LINK.....	70-38
STEERING ARM (MFWD) (8130, 8230, 8330).....	54-18	SUPPORT, DRAWBAR FRONT (NA VERSION) (CATEGORY III)(8130,8230,8330).....	70-66
STEERING ARM (MFWD) (8430).....	54-20	SUPPORT, DRAWBAR FRONT (NA VERSION) (CATEGORY IV) (8430, 8530).....	70-68
STEERING COLUMN.....	60-2	SUPPORT, FRONT AXLE REAR PIVOT (8130,8230,8330).....	80-2
STEERING COLUMN COVER.....	91-8	SUPPORT, FRONT AXLE REAR PIVOT (MFWD) (8430).....	80-4
STEERING COLUMN PIVOT.....	60-4	SUPPORT, FUEL TANK.....	35-14
STEERING COLUMN PIVOT.....	60-6	SUPPORT, HEAVY DUTY DRAWBAR FRONT (CATEGORY IV).....	70-70
STEERING CONTROL UNIT, ELECTRO HYDRAULIC (EH VALVE) (AUTOTRAC).....	93-5	SUPPORT, HYDRAULIC OIL COOLER.....	70-31
STEERING CONTROLLER (FLEX BOX) (AUTOTRAC).....	93-7		
STEERING CYLINDER (ADJUSTABLE AXLE) (8130) (PST).....	60-16		
STEERING CYLINDER (ADJUSTABLE AXLE) (8130) (PST).....	60-17		

## ALPHABETICAL INDEX - CONTINUED

	PAGE		PAGE
SUPPORT, PICK-UP HITCH CYLINDER .....	70-96	<b>T</b>	
SUPPORT, PTO SHIELD .....	53-30	TACHOMETER, DIGITAL .....	91-16
SUPPORT, RADIATOR .....	25-4	TAG, BATTERY CABLE .....	94-8
SUPPORT, REGULAR DRAWBAR FRONT (EUROPEAN VERSION) .....	70-80	TAG, BATTERY CABLE (FRENCH) .....	94-14
SUPPORT, ROCKER ARM SHAFT .....	20-50	TAG, BATTERY CABLE (SPANISH) .....	94-10
SUPPORT, SEAT .....	92-15	TAIL LAMP (EUROPEAN VERSION) .....	42-7
SUSPENSION BUMPER, SEAT SUSPENSION .....	92-6	TAIL LAMP (NORTH AMERICAN VERSION) .....	42-3
SUSPENSION CYLINDER (ILS) .....	55-52	TAIL LAMP (NORTH AMERICAN VERSION) .....	42-5
SUSPENSION CYLINDER (ILS) .....	55-54	TAIL LIGHT .....	44-18
SUSPENSION DAMPING CONTROL VALVE (ILS) .....	55-48	TAIL LIGHT (EUROPEAN VERSION) .....	42-6
SUSPENSION, AIR SEAT .....	92-10	TAIL LIGHT (EUROPEAN VERSION) .....	44-19
SV / BLOCK .....	70-53	TAIL LIGHT (NORTH AMERICAN VERSION) (8130,8230,8330) .....	42-2
SV / BLOCK, BUMPER (HEAVY DUTY KIT) .....	70-54	TAIL LIGHT (NORTH AMERICAN VERSION) (8430,8530) .....	42-4
SV CH, A/C / HEATING FAN .....	42-28	TANK, AIR BRAKE AIR .....	60-60
SWITCH, A/C COMPRESSOR .....	42-28	TANK, COOLANT RECOVERY .....	25-7
SWITCH, AIR BRAKE PRESSURE .....	41-12	TANK, FUEL .....	35-14
SV CH, BRAKE .....	42-52	TANK, OIL DIPLACEMENT (ILS) .....	55-14
SV CH, BRAKE (EUROPEAN VERSION) .....	42-6	TEMPERATURE CONTROL CABLE .....	90-14
SV CH, BRAKE (NORTH AMERICAN VERSION) (8130,8230,8330) .....	42-2	TEMPERATURE CONTROL CABLE (ATC) .....	90-16
SWITCH, BRAKE (NORTH AMERICAN VERSION) (8130,8530) .....	42-4	TENSIONER, AIR BRAKE BELT .....	60-68
SV CH, BRAKE PEDAL (IVT) .....	60-38	TENSIONS, AUXILIARY DRIVE .....	25-16
SV CH, CLUTCH DISENGAGED .....	51-10	TERMINAL BOARD, FUSE .....	40-9
SWITCH, DIFFERENTIAL LOCK (EUROPEAN VERSION) .....	42-6	TERMINAL BOARD, RELAY .....	40-9
SV CH, DIFFERENTIAL LOCK (8130,8230, 8330)(NORTH AMERICAN VERSION) .....	42-2	TERMINAL CAP .....	43-6
SV CH, DIFFERENTIAL LOCK (8430,8530) (NORTH AMERICAN VERSION) .....	42-4	TERMINAL, ELECTRICAL .....	40-8
SWITCH, DOME LIGHT .....	42-68	TERMINAL, METRI-PACK .....	40-6
SV CH, DOME, DOOR .....	42-51	TERMINAL, POSITIVE .....	43-6
SV CH, DUAL PRESSURE (ATC) .....	42-14	TERMINAL, WEATHERPACK .....	40-2
SWITCH, ETHER AID .....	42-31	TERMINALS, METRI-PACK .....	40-4
SWITCH, FIELD CRUISE .....	42-28	TERMINATOR .....	41-4
SV CH, FRONT HITCH .....	41-20	TERMINATOR .....	42-27
SV CH, FRONT WIPER/WASHER .....	42-28	THERMOSTAT (ESN -001819) .....	20-30
SV CH, HAZARD LIGHTS .....	42-28	THERMOSTAT (ESN 001820-) .....	20-38
SWITCH, HEAT (LEATHER) .....	92-2	THERMOSTAT COVER (ESN -001819) .....	20-29
SWITCH, HITCH CONTROL .....	41-18	THERMOSTAT COVER (ESN 001820-) .....	20-38
SV CH, HITCH CONTROL .....	41-20	THERMOSTAT HOUSING (-001819) .....	20-36
SV CH, HITCH RAISE/LOWER (ARMREST) .....	42-36	THERMOSTAT HOUSING (ESN 001820-) .....	20-38
SV CH, HYDRAULIC DIFFERENTIAL LOCK .....	42-17	THERMOSTAT HOUSING / BY PASS TUBE TO WATER PUMP) (-001819) .....	20-36
SWITCH, IMPLEMENT .....	41-22	THERMOSTAT HOUSING / BY PASS TUBE TO WATER PUMP) (ESN 001820-) .....	20-38
SWITCH, IMPLEMENT MANAGEMENT SYSTEM (13) .....	42-36	THERMOSTAT, HEATER AND A/C .....	90-14
SV CH, KEY .....	42-31	THREE IN ONE HITCH .....	70-86
SV CH, MAIN LIGHTS .....	42-28	THROTTLE LEVER (HRW01) 8130MFWD & 8130 2WD .....	20-6
SWITCH, MFWD .....	42-28	THROTTLE LEVER (HRW05) 8130 ILS .....	20-12
SWITCH, NEUTRAL START .....	42-35	THROTTLE, FOOT .....	42-72
SV CH, NEUTRAL START (PST) .....	42-34	TIE BOLT, SCV .....	71-14
SV CH, OPERATOR PRESENCE .....	92-4	TIE ROD .....	80-12
SV CH, OPERATOR PRESENCE (SEAT) .....	42-21	TIE ROD (ILS) .....	55-38
SWITCH, POWER SHIFT RESUME .....	42-36	TIE ROD (MFWD) (8130, 8230, 8330) .....	54-26
SWITCH, RAISE/LOWER SEAT .....	42-21	TIE ROD (MFWD) (8430, 8530) .....	54-27
SV CH, REAR PTO .....	42-36	TIE ROD END .....	80-12
SV CH, REAR WIPER/WASHER .....	42-28	TIMER MODULE (EUROPEAN VERSION) .....	42-7
SV CH, RIDE FIRMNESS .....	92-4	TIMER MODULE (NORTH AMERICAN VERSION) .....	42-3
SWITCH, ROTARY BEACON LIGHT .....	42-66	TIMER MODULE (NORTH AMERICAN VERSION) .....	42-5
SWITCH, SEAT HEATER .....	92-4	TIMING GEAR COVER .....	20-74
SV CH, SEAT HEIGHT .....	92-4	TIMING GEAR COVER GASKET .....	20-74
SV CH, SECONDARY HAND BRAKE (EUROPEAN VERSION) .....	42-6	TIMING GEAR COVER W/O AUXILIARY DRIVE .....	20-74
SWITCH, WORK LIGHTS .....	42-28	TIP-UP ARMREST (LH AND RH) .....	92-4
CHRONIZER, CLUTCH UNIT (IVT) .....	52-30	TOOLBOX .....	80-48
		TOOLBOX BRACKET .....	80-48



## ALPHABETICAL INDEX - CONTINUED

	PAGE		PAGE
TORSIONAL DAMPENER .....	25-14	TURBOCHARGER (HRW02)	
TORSIONAL DAMPENER (IVT) .....	52-10	8230MFWD AND 8330 MFWD .....	20-64
TOW PUMP VALVE .....	51-12	TURBOCHARGER (HRW04)	
TRACK SPACING 66" (8130, 8230, 8330) .....	80-16	8430 MFWD .....	20-66
TRACK SPACING 66" (8430, 8530) .....	80-18	TURBOCHARGER (HRW05)	
TRACTOR FILTERS .....	35-16	8130 ILS .....	20-68
TRAILER AIR BRAKE CAB CONTROL .....	60-50	TURBOCHARGER (HRW06)	
TRAILER BRAKE VALVE .....	60-78	8230 ILS & 8330 ILS .....	20-70
TRAILER BRAKE VALVE HOSES, HYDRAULIC .....	60-54	TURBOCHARGER (HRW08)	
TRAILER BRAKE VALVE LINES, HYDRAULIC .....	60-54	8430 ILS & 8530 ILS .....	20-72
TRANSMISSION AND HYDRAULIC OIL .....	70-1	TURN SIGNAL FLASHER	
TRANSMISSION CASE		(EUROPEAN VERSION) .....	42-6
(8130, 8230, 8330) .....	51-39		
TRANSMISSION CASE (ILS) .....	55-2	<b>U</b>	
TRANSMISSION CASE (8430) .....	51-40	U-JOINT ASSEMBLY (ILS) .....	55-28
TRANSMISSION CASE REAR COVER .....	51-18	U-JOINT ASSEMBLY (MFWD)	
TRANSMISSION CASE REAR COVER .....	51-20	(8130, 8230, 8330) .....	54-18
TRANSMISSION CONTROL BRACKET (ARMREST)		U-JOINT ASSEMBLY (MFWD) (8430) .....	54-20
(PST) .....	42-34	UNIVERSAL JOINT, STEERING .....	60-4
TRANSMISSION CONTROL SELECTOR (ARMREST)		UPHOLSTERY, FENDER, L.H. (CAB) .....	91-10
(PST) .....	42-34	UPHOLSTERY, POST (CAB) .....	91-16
TRANSMISSION CONTROL SHIFT LEVER		UPHOLSTERY, REAR .....	91-15
(ARMREST)(PST) .....	42-34	UPHOLSTERY, RIGHT-HAND CONSOLE .....	91-12
TRANSMISSION COUNTERSHAFT SLEEVE .....	51-16	UPPER CONTROL ARM (ILS) .....	55-34
TRANSMISSION COUNTERSHAFT SLEEVE .....	51-20	UPPER LOAD CENTER ACCESS COVER .....	91-12
TRANSMISSION ELECTRO-HYDRAULIC VALVE .....	51-18	UPPER OIL LINES (AUTOTRAC) .....	93-4
TRANSMISSION HEATER .....	41-14	UPPER RADIATOR HOSE .....	25-2
TRANSMISSION HOUSING (IVT)		UTILITY TRAY .....	91-50
(FRONT) .....	52-6		
TRANSMISSION HOUSING (IVT)		<b>V</b>	
(REAR) .....	52-2	VALVE BRACKET (AUTOTRAC) .....	93-12
TRANSMISSION HOUSING (IVT)		VALVE COVER .....	20-1
(REAR) .....	52-4	VALVE KITS, FRONT HITCH .....	72-8
TRANSMISSION INPUT GEAR (IVT) .....	52-10	VALVE O-RING KIT, FRONT HITCH .....	72-11
TRANSMISSION INPUT SHAFT SLEEVE .....	51-16	VALVE, AIR BRAKE AIR CONTROL	
TRANSMISSION INPUT SHAFT SLEEVE .....	51-20	(EUROPEAN VERSION) .....	60-64
TRANSMISSION LINES .....	51-50	VALVE, AIR BRAKE AIR CONTROL	
TRANSMISSION LINES (ILS) .....	55-4	(NORTH AMERICAN VERSION) .....	60-62
TRANSMISSION LINES (8130, 8230, 8330) .....	51-46	VALVE, AIR BRAKE CONTROL .....	60-56
TRANSMISSION LINES (8430, 8530) .....	51-48	VALVE, AIR BRAKE PRESSURE CONTROL .....	60-60
TRANSMISSION OIL PRESSURE SENSOR .....	51-10	VALVE, BRAKE .....	60-30
TRANSMISSION OIL PRESSURE SENSOR (ILS) .....	55-12	VALVE, BRAKE COOLING	
TRANSMISSION OUTPUT DRIVESHAFT		(50K/IVT/ILS/EV) .....	70-14
(8130, 8230, 8330) .....	51-42	VALVE, BRAKE KIT, SINGLE LINE .....	60-66
TRANSMISSION OUTPUT DRIVESHAFT (8430) .....	51-44	VALVE, DUMP .....	80-54
TRANSMISSION OUTPUT SHAFT (ILS) .....	55-6	VALVE, ELECTRO HYDRAULIC (EH) (AUTOTRAC) .....	93-5
TRANSMISSION OUTPUT SHAFT (W/PARK BRAKE)		VALVE, ELECTRO-HYDRAULIC (IVT) .....	52-8
(IVT) .....	52-22	VALVE, EMERGENCY STEERING .....	51-12
TRANSMISSION PUMP (IVT) .....	70-28	VALVE, ENGINE OIL BY-PASS .....	20-44
TRANSMISSION PUMP (PST)		VALVE, EXHAUST .....	20-54
(8130, 8230, 8330) .....	70-26	VALVE, EXPANSION WITH TEMPERATURE SWITCH	
TRANSMISSION PUMP (PST)		(ATC) .....	90-16
(8430) .....	70-27	VALVE, HITCH .....	71-12
TRANSMISSION PUMP LINES (IVT) .....	70-28	VALVE, HITCH (FRONT) .....	72-6
TRANSMISSION PUMP LINES (PST)		VALVE, HYDRAULIC TRAILER BRAKE .....	60-54
(8130, 8230, 8330) .....	70-26	VALVE, INTAKE .....	20-54
TRANSMISSION PUMP LINES (PST)		VALVE, MANIFOLD .....	51-6
(8430) .....	70-27	VALVE, MANIFOLD .....	51-8
TRANSMISSION REAR COVER .....	51-16	VALVE, MANIFOLD .....	51-12
TRANSMISSION REAR COVER KIT .....	51-16	VALVE, MANIFOLD PRESSURE CONTROL .....	51-4
TRANSMISSION WIRING HARNESS .....	41-2	VALVE, PTO ELECTRO-HYDRAULIC .....	53-2
TRAY, STORAGE .....	43-4	VALVE, SELECTIVE CONTROL .....	71-6
TUBE, OIL PUMP INTAKE .....	20-52	VALVE, SOLENOID (MANIFOLD) .....	51-6
TURBO HEAT SHIELDS (REAR) .....	80-58		
TURBO INLET HOSE (TRAILER BRAKE) .....	35-2		
TURBOCHARGER (HRW01)			
8130 MFWD AND 8130 2 WD .....	20-62		

ALPHABETICAL INDEX - CONTINUED

	PAGE
VALVE, SOLENOID (REAR DIFFERENTIAL).....	53-10
VALVE, STEERING (ILS).....	55-56
VALVE, STEERING (ILS).....	60-13
VALVE, STEERING (ILS) (W/ AUTOTRAC).....	55-57
VALVE, STEERING (MFWD) (W/AUTOTRAC) (8130, 8230, 8330).....	60-11
VALVE, STEERING (MFWD)(W/AUTOTRAC)(8430).....	60-12
VALVE, STEERING (MFWD)(8130, 8230, 8330).....	60-11
VALVE, STEERING (MFWD)(8430).....	60-12
VALVE, STEERING (8130) (2WD) (PST).....	60-10
VALVE, SUSPENSION DAMPING CONTROL (ILS).....	55-48
VALVE, TOW PUMP.....	51-12
VALVE, TRAILER BRAKE.....	60-78
VALVE, TRANSMISSION ELECTRO-HYDRAULIC.....	51-18
VALVE, WATER.....	90-14
VALVE, WATER (ATC).....	90-16
VALVES, GROUND DRIVE PUMP.....	70-10
VALVES, PTO.....	53-2
VARIABLE FAN DRIVE UNIT PARTS.....	25-10
VEHICLE CONTROLLER.....	41-4
VEHICLE CONTROLLER.....	42-13
VENT, FUEL.....	35-14
VENT, ROCKER ARM.....	35-1
VENT, ROCKER ARM LINES.....	35-1

W

WAGON HITCH BRACKETS.....	70-84
WAGON HITCH CONTROLS.....	70-92
WAGON HITCH COUPLER.....	70-88
WAGON HITCH COUPLER.....	70-90
WARNING ALARM.....	42-28
WARNING LAMP (EUROPEAN VERSION).....	42-7
WARNING LAMP (NORTH AMERICAN VERSION).....	42-3
WARNING LAMP (NORTH AMERICAN VERSION).....	42-5
WARNING LIGHTS, ROOF (NORTH AMERICAN VERSION).....	42-64
WARNING LIGHTS, ROOF (NORTH AMERICAN VERSION).....	44-9
WASHER KIT, WINDSHIELD AND REAR.....	91-24
WASHER, WINDSHIELD AND REAR.....	91-25
WATER PUMP.....	20-28
WATER PUMP INLET.....	20-57
WATER VALVE.....	90-14
WATER VALVE (ATC).....	90-16
WEATHERPACK CONNECTOR.....	40-2
WEATHERPACK TERMINAL.....	40-2
WEIGHT SUPPORT (NORTH AMERICAN VERSION).....	80-63
WEIGHTS FOR CAST AND HEAVY CAST REAR WHEELS.....	80-43
WEIGHTS FOR CAST WHEELS.....	80-44
WEIGHTS, FRAME (NORTH AMERICAN VERSION).....	80-63
WEIGHTS, STEEL DISK WHEEL.....	80-45
WHEEL ASSEMBLY, FRONT (MFWD) (12 BOLT) (8-POSITION) (8430, 8530).....	80-18
WHEEL HUB (ILS) (8130, 8230, 8330).....	55-30
WHEEL HUB (ILS) (8430, 8530).....	55-32
WHEEL HUB (MFWD) (8130, 8230, 8330).....	54-14
WHEEL HUB (MFWD) (8430).....	54-16
WHEEL SLEEVES CAST REAR WHEELS (HEAVY DUTY) (8130, 8230, 8330).....	80-26

	PAGE
WHEEL SLEEVES CAST REAR WHEELS (HEAVY DUTY) (8430, 8530).....	80-28
WHEEL SLEEVES, CAST REAR WHEELS (HEAVY DUTY) (8420, 8520).....	80-26
WHEEL SLEEVES, CAST REAR WHEELS (HEAVY DUTY) (8430, 8530).....	80-28
WHEEL SPEED SENSOR.....	41-4
WHEEL SPEED SENSOR.....	53-10
WHEEL WEIGHTS.....	80-43
WHEEL WEIGHTS, CAST.....	80-44
WHEEL, FRONT (8130).....	80-14
WHEEL, STEERING.....	60-1
WHEELS, CAST REAR (HEAVY DUTY) (8130, 8230, 8330).....	80-26
WHEELS, CAST REAR (HEAVY DUTY) (8430, 8530).....	80-28
WHEELS, CAST REAR (NAV) (8130, 8230, 8330).....	80-24
WHEELS, FRONT (ILS) (DUALS) (10 BOLT 8 POSITION).....	80-20
WHEELS, FRONT (MFWD) (12 BOLT) (16-POSITION) (WITH DUAL).....	80-23
WHEELS, FRONT (MFWD) (12 BOLT) (2-POSITION) (EUROPEAN VERSION).....	80-22
WHEELS, STEEL DISK REAR (10-BOLT HUB) (HEAVY DUTY) (8130, 8230, 8330).....	80-32
WHEELS, STEEL DISK REAR (10-BOLT HUB) (HEAVY DUTY) (8430, 8530).....	80-34
WHEELS, STEEL DISK REAR (10-BOLT HUB) (8130, 8230, 8330).....	80-30
WINDOW, FRONT.....	91-28
WINDOW, LEFT HAND DOOR (014367- ).....	91-34
WINDOW, REAR.....	91-32
WINDOW, RIGHT-HAND.....	91-30
WINDOW, RIGHT-HAND OPENING (EUROPEAN VERSION).....	91-31
WINDSHIELD.....	91-28
WINDSHIELD AND REAR WASHER.....	91-25
WINDSHIELD AND REAR WASHER KIT.....	91-24
WIPER MOTOR, FRONT.....	42-64
WIPER MOTOR, REAR.....	42-64
WIPER, FRONT AND REAR ASSEMBLY KIT.....	91-26
WIRING HARNESS (ACU) MAIN.....	42-50
WIRING HARNESS (ATC).....	42-14
WIRING HARNESS (CONSOLE).....	42-27
WIRING HARNESS (MANUAL AIR CONDITIONING).....	42-15
WIRING HARNESS, ACTIVE SEAT.....	42-22
WIRING HARNESS, AIR BRAKE.....	41-12
WIRING HARNESS, AIR BRAKE AIR TANK.....	60-60
WIRING HARNESS, ARMREST TO CAB.....	42-46
WIRING HARNESS, AUTOTRAC.....	93-8
WIRING HARNESS, BACK-UP ALARM.....	41-13
WIRING HARNESS, BRAKE LIGHT.....	42-25
WIRING HARNESS, CAB.....	42-18
WIRING HARNESS, CAB (EUROPEAN VERSION).....	42-6
WIRING HARNESS, CAB (NORTH AMERICAN VERSION)(8130,8230,8330).....	42-2
WIRING HARNESS, CAB (NORTH AMERICAN VERSION)(8430,8530).....	42-4
WIRING HARNESS, CAB POWER JUNCTION BLOCK.....	42-18
WIRING HARNESS, CHASSIS (AUTOTRAC).....	93-10
WIRING HARNESS, COLD WEATHER START.....	41-14
WIRING HARNESS, ENG & CHASSIS (ILS).....	41-6
WIRING HARNESS, ENG AND CHASSIS(EUROPE).....	41-6
WIRING HARNESS, ENG AND CHASSIS(N.A.).....	41-6
WIRING HARNESS, ENGINE AND CHASSIS.....	41-4

## ALPHABETICAL INDEX - CONTINUED

	PAGE		PAGE
WIRING HARNESS, ENGINE AND CHASSIS .....	41-6		
WIRING HARNESS, ENGINE AND CHASSIS .....	42-18		
WIRING HARNESS, EXTREMITY WARNING LAMP .....	44-14		
WIRING HARNESS, EXTREMITY WARNING LAMP, 2.85M REGII.....	44-16		
WIRING HARNESS, EXTREMITY WARNING LIGHTS (8130-8330)(NORTH AMERICAN VERSION).....	42-2		
WIRING HARNESS, EXTREMITY WARNING LIGHTS (8430,8530)(NORTH AMERICAN VERSION).....	42-4		
WIRING HARNESS, FIELD OFFICE .....	42-24		
WIRING HARNESS, FRONT HEADLIGHTS (UNITED KINGDOM) .....	44-6		
WIRING HARNESS, FRONT HITCH .....	41-21		
WIRING HARNESS, FUEL SENDER .....	35-14		
WIRING HARNESS, FUSE LINK .....	42-18		
WIRING HARNESS, GPS RECEIVER GREENSTAR .....	41-8		
WIRING HARNESS, GPS, GREENSTAR .....	41-8		
WIRING HARNESS, HEADLIGHTS .....	41-6		
WIRING HARNESS, HEADLIGHTS (UNITED KINGDOM) .....	41-6		
WIRING HARNESS, IMPLEMENT SWITCH .....	41-22		
WIRING HARNESS, LICENSE PLATE LAMP (EUROPEAN VERSION).....	42-71		
WIRING HARNESS, MOBILE RADIO .....	42-58		
WIRING HARNESS, OPTIONAL EH CONTROLLER.....	42-11		
WIRING HARNESS, ROOF .....	42-64		
WIRING HARNESS, ROOF (NORTH AMERICAN VERSION) .....	44-9		
WIRING HARNESS, ROTARY BEACON LIGHT .....	42-66		
WIRING HARNESS, SCV .....	41-4		
WIRING HARNESS, SEAT .....	42-21		
WIRING HARNESS, SELECTIVE CONTROL LEVERS 1, 2, 3 (ARMREST) .....	42-40		
WIRING HARNESS, SELECTIVE CONTROL LEVERS 4 AND 5 (ARMREST).....	42-42		
WIRING HARNESS, SERVICE ADVISOR .....	42-28		
WIRING HARNESS, SPEED SENSOR JUMPER (ILS).....	55-8		
WIRING HARNESS, TRANSMISSION .....	41-2		
WORK LAMP BRACKET (UPPER MID-BODY) .....	44-1		
WORK LAMP COVER (UPPER MID-BODY) .....	44-1		
WORK LAMP KIT (UPPER MID-BODY) .....	44-1		
WORK LAMP, FRONT ROOF .....	44-2		
WORK LIGHT, REAR FENDER .....	44-12		
WORK LIGHT, REAR FENDER .....	44-13		
WORKLAMPS (CAB) (UPPER MID-BODY) .....	44-1		
Y			
YOKE, DIFFERENTIAL OUTPUT (L.H.) (ILS).....	55-24		
YOKE, DIFFERENTIAL OUTPUT (L.H.) (ILS) (W/ BRAKES) (50K/IVT/ILS) .....	55-26		
YOKE, DIFFERENTIAL OUTPUT (R.H.) (ILS) .....	55-20		
YOKE, DIFFERENTIAL OUTPUT (R.H.) (ILS) (W/ BRAKES) (50K/IVT/EV) .....	55-22		

SECTIONAL INDEX  
INDEX DE SECTION  
GRUPPENINDEX  
INDICE DELLA SEZIONE  
INDICE DE SECCION  
GRUPPSFORTECKNING

4398- 42

RXA0084085 -UN-

## SECTION 20

### ENGINE

FOR ENGINE INFORMATION  
REFER TO PARTS CATALOG

### 9437

THE FOLLOWING ENGINE DESIGNATIONS ARE INDICATED  
FOR TRACTOR APPLICATIONS.

6090HRW01 - 8130 TRACTOR with MFWD  
6090HRW02 - 8230/8330 TRACTOR with MFWD  
6090HRW04 - 8430 TRACTOR with MFWD  
6090HRW05 - 8130 TRACTOR with ILS  
6090HRW06 - 8230/8330 TRACTOR with ILS  
6090HRW08 - 8430/8530 TRACTOR with ILS

MEMORANDA  
MEMORANDA  
MEMORANDA  
MEMORANDA  
MEMORANDA

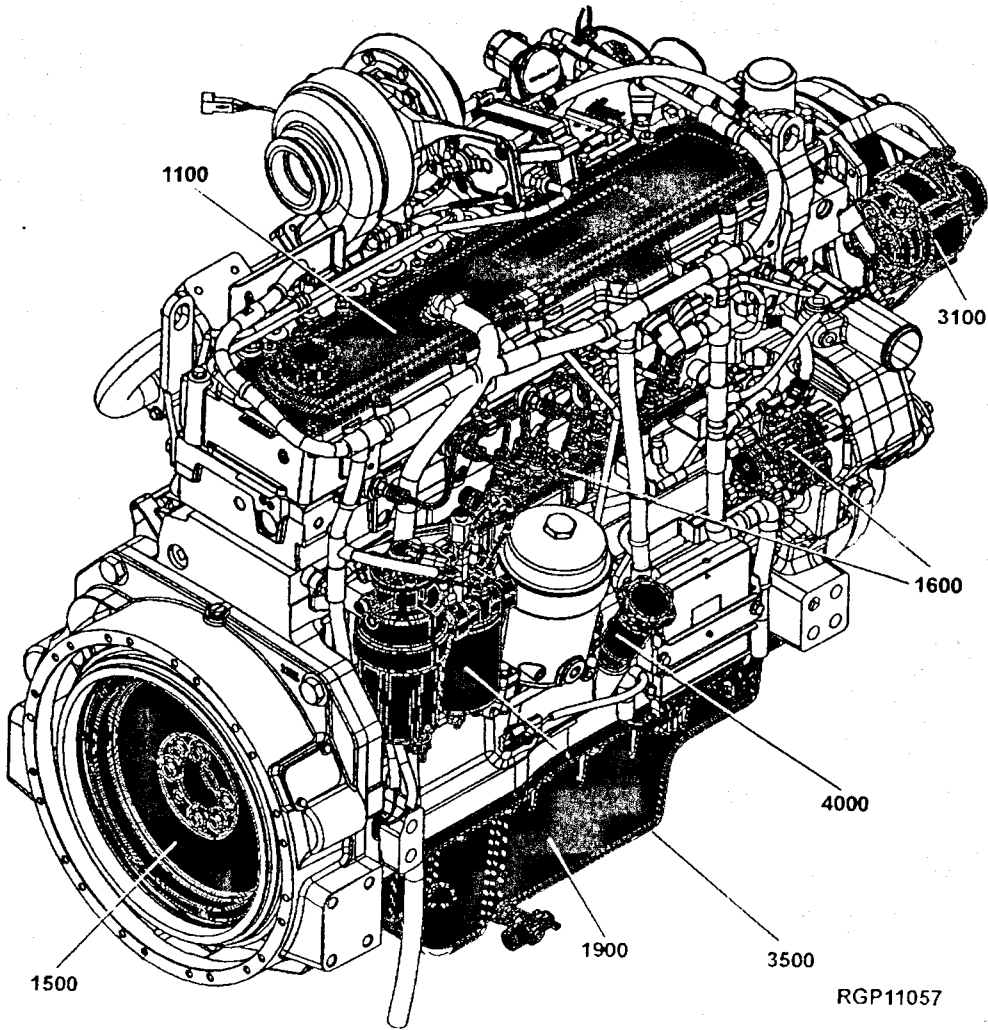
# 20-A02

ENGINE

SECTIONAL INDEX  
 INDEX DE SECTION  
 GRUPPENINDEX  
 INDICE DELLA SEZIONE  
 INDICE DE SECCION

RGP11057 -UN-31JAN05

1100-	1
1500-	5
1600-	6
1600-	8
1600-	10
1600-	12
1600-	14
1600-	16
1900-	20
1900-	22
1900-	24
1900-	26
3500-	34
4000-	40
4000-	41



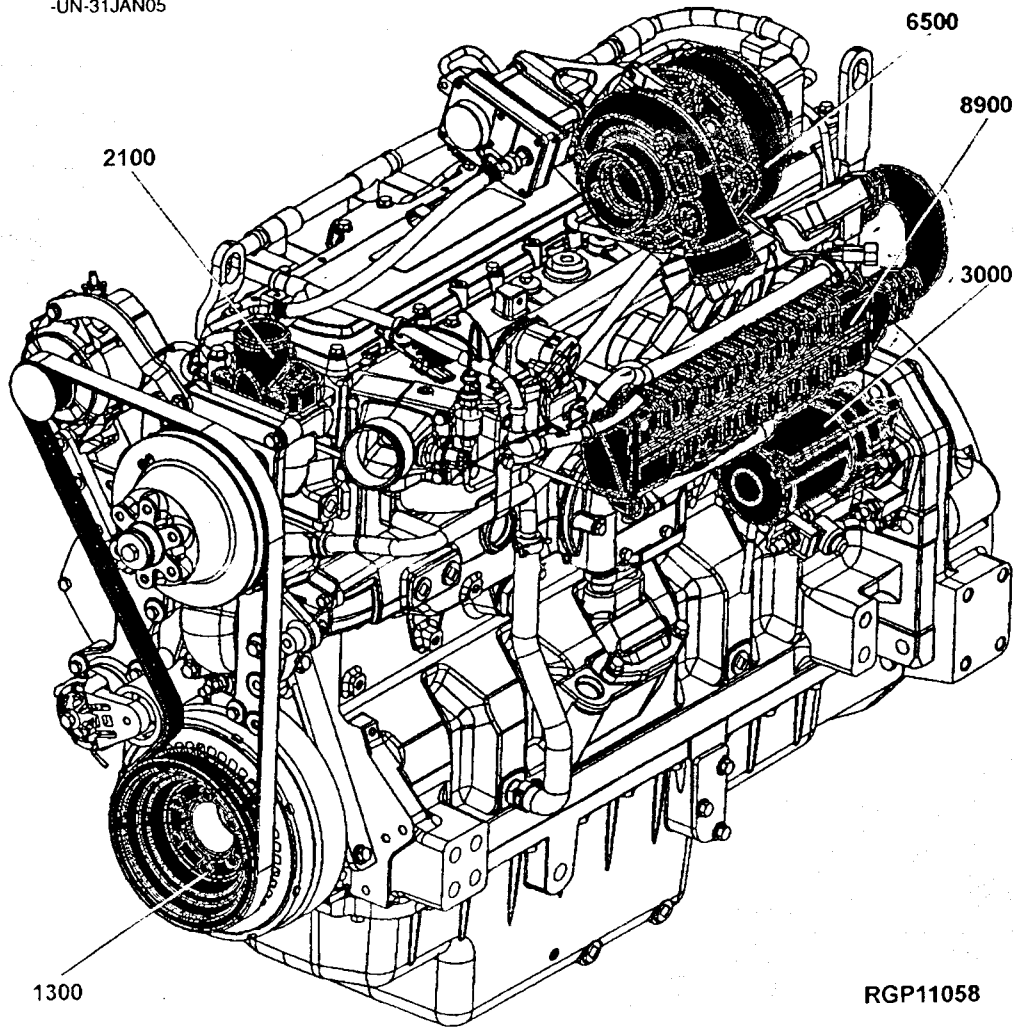
RGP11057

# 20-A03

ENGINE

SECTIONAL INDEX  
INDEX DE SECTION  
GRUPPENINDEX  
INDICE DELLA SEZIONE  
INDICA DE SECCION  
GRUPPSFORTECKNING

RGP11058 -UN-31JAN05



1300-	2
1300-	3
2100-	29
3000-	33
5101-	54
6500-	62
6500-	64
6500-	66
6500-	68
6500-	70
6500-	72
8900-	76

RGP11058

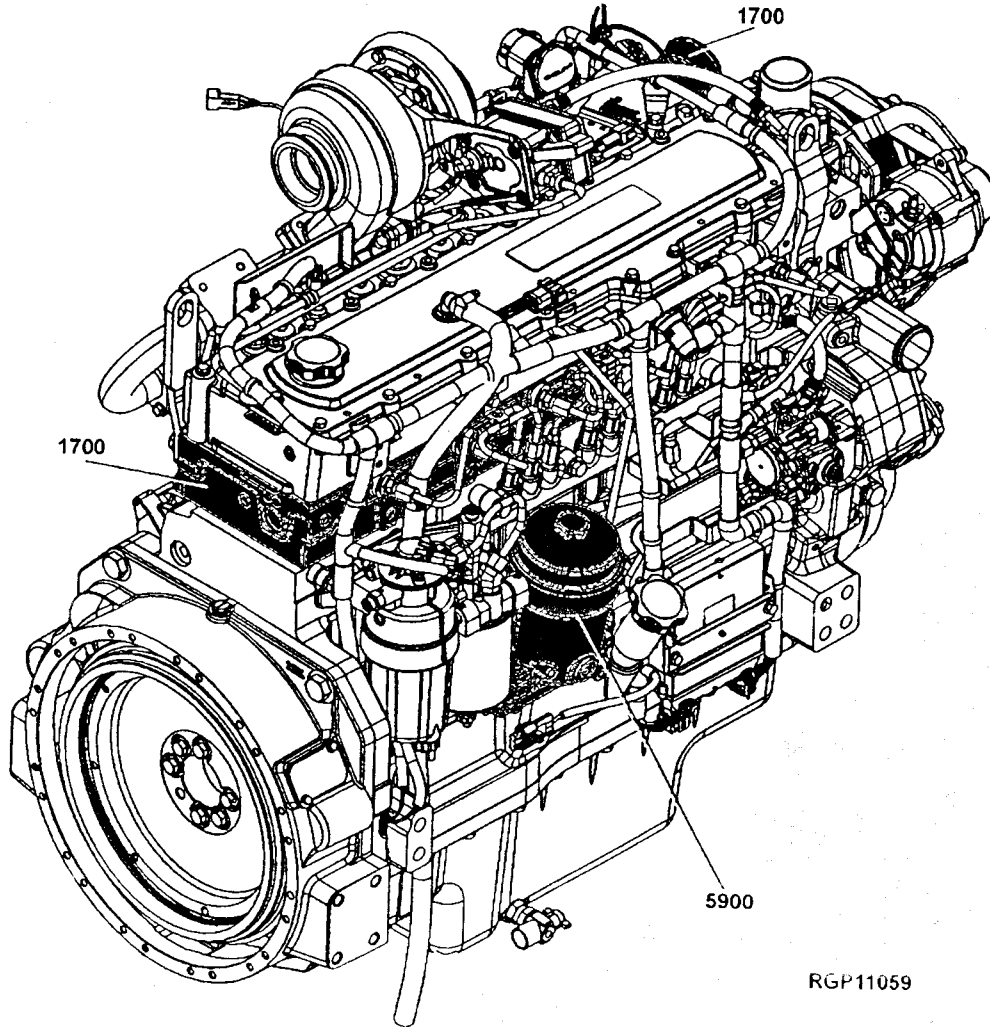
# 20-A04

ENGINE

SECTIONAL INDEX  
INDEX DE SECTION  
GRUPPENINDEX  
INDICE DELLA SEZIONE  
INDICA DE SECCION  
GRUPPSFORTECKNING

RGP11059 -UN-31JAN05

1700- 18



RGP11059



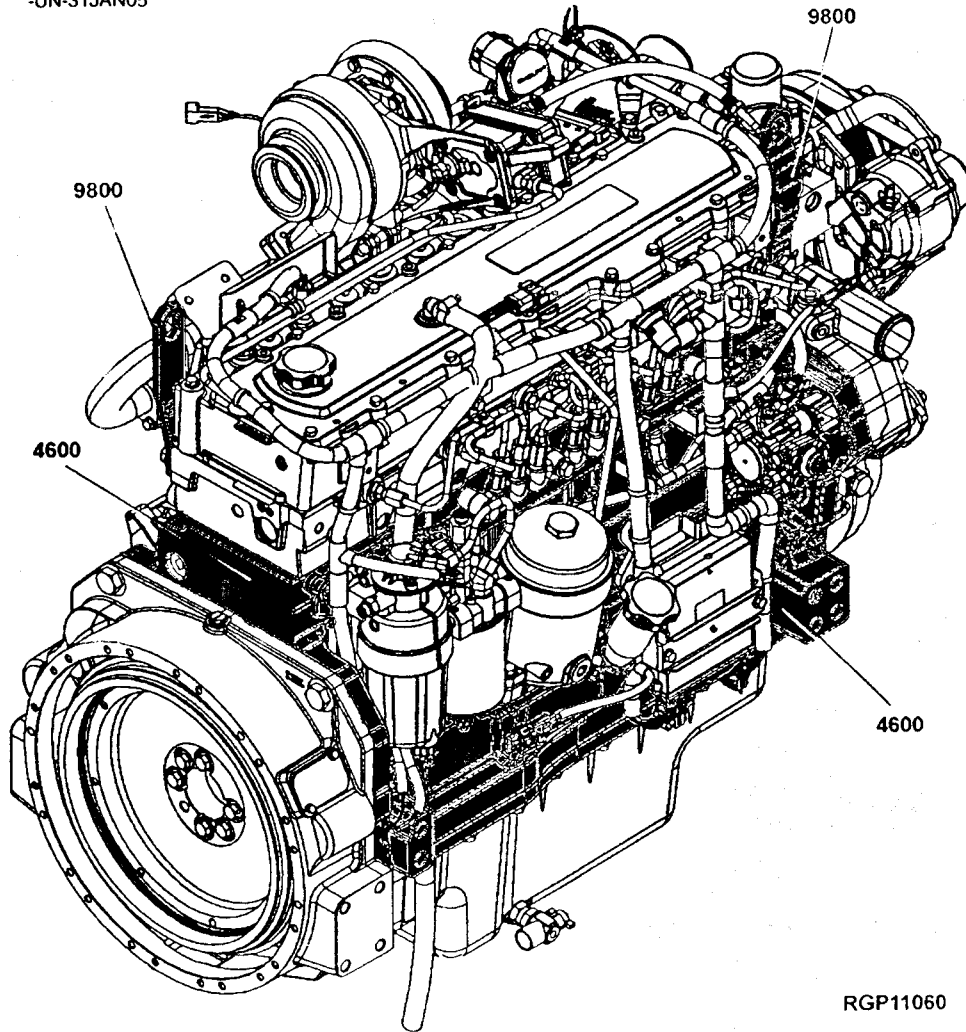
# 20-A05

ENGINE

SECTIONAL INDEX  
INDEX DE SECTION  
GRUPPENINDEX  
INDICE DELLA SEZIONE  
INDICA DE SECCION  
GRUPPSFORTECKNING

9800- 78

RGP11060 -UN-31JAN05



RGP11060

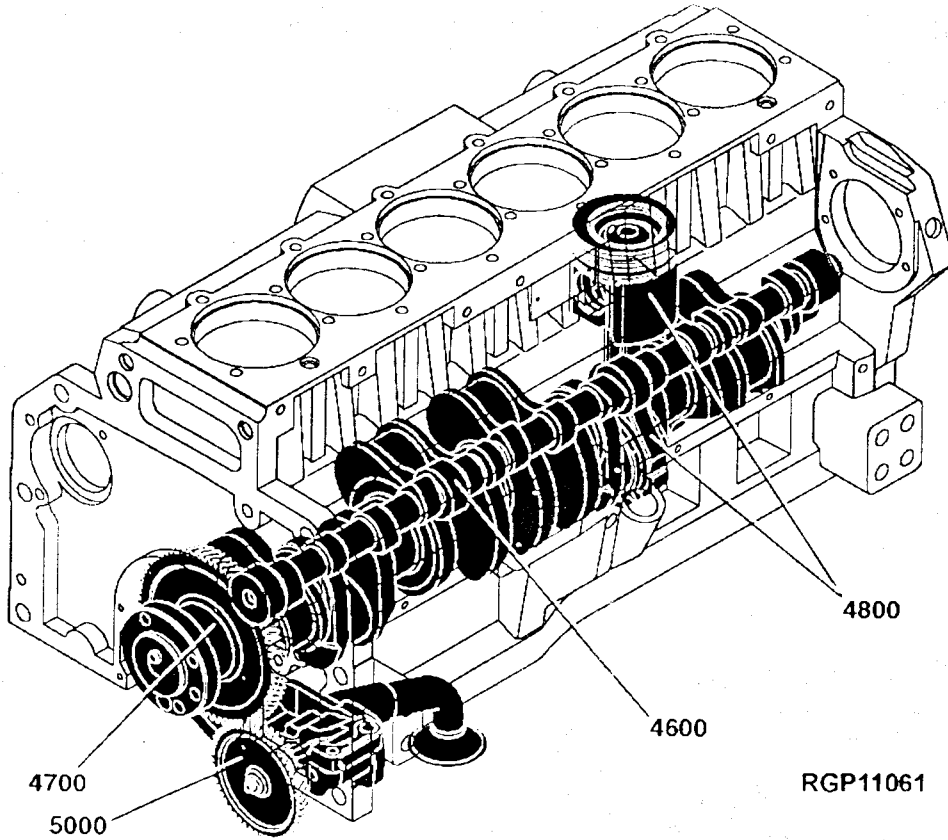
# 20-A06

ENGINE

SECTIONAL INDEX  
INDEX DE SECTION  
GRUPPENINDEX  
INDICE DELLA SEZIONE  
INDICA DE SECCION  
GRUPPSFORTECKNING

RGP11061 -UN-24JAN05

4600-	44
4700-	46
4800-	48



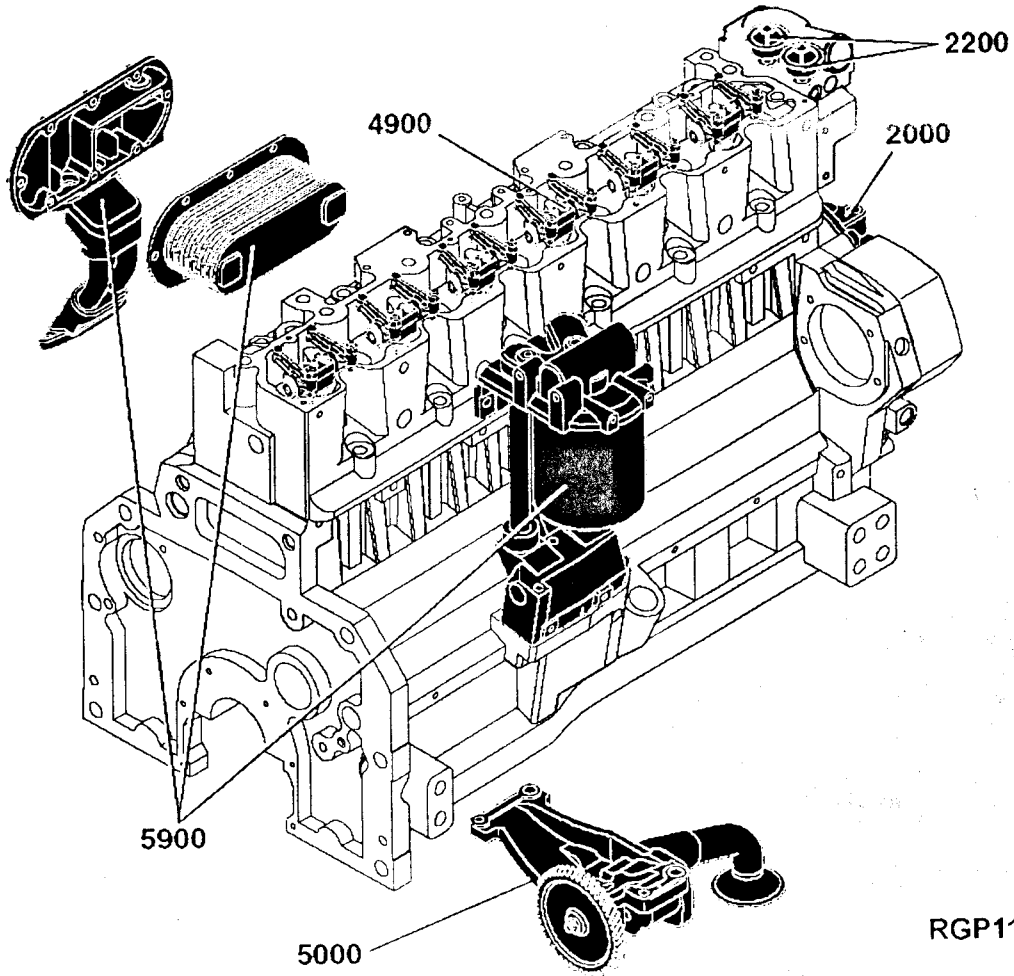
# 20-A07

ENGINE

SECTIONAL INDEX  
INDEX DE SECTION  
GRUPPENINDEX  
INDICE DELLA SEZIONE  
INDICA DE SECCION  
GRUPPSFORTECKNING

RGP11062 -UN-24JAN05

2000-	28
2200-	30
4900-	50
5000-	52
5900-	58



RGP11062

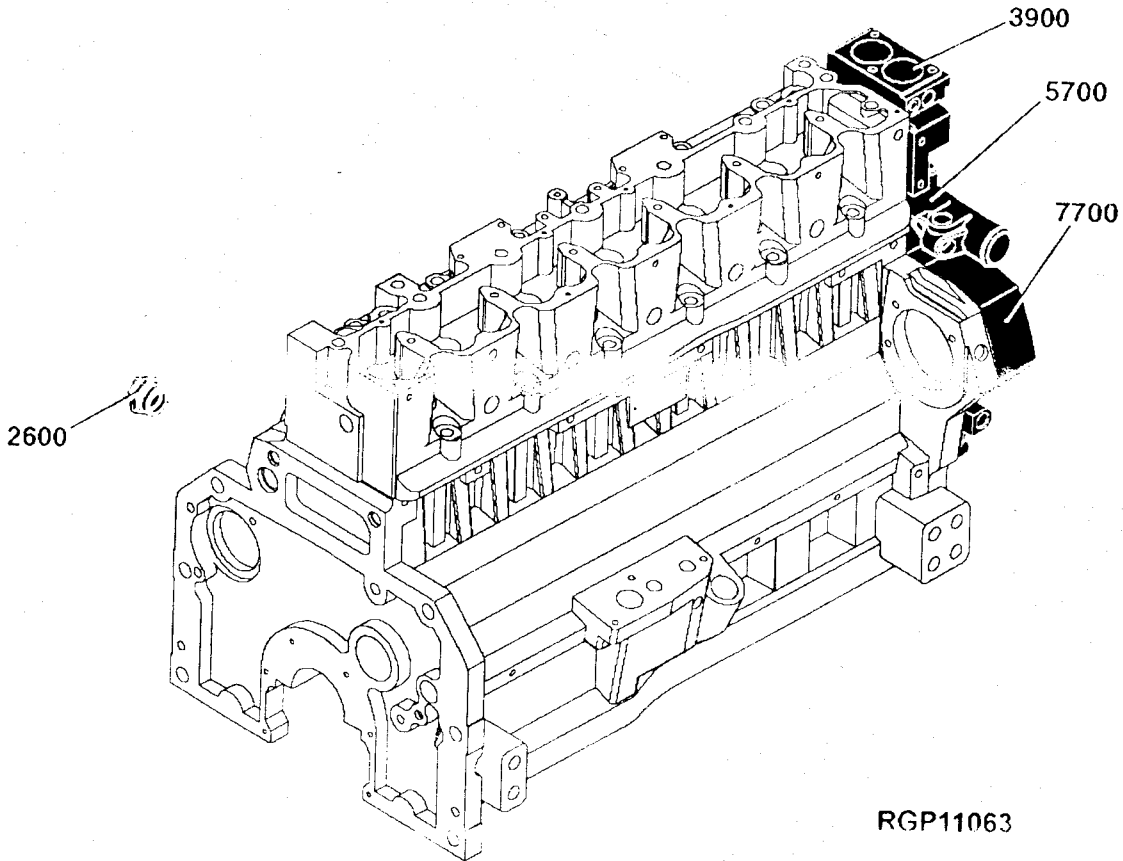
# 20-A08

ENGINE

SECTIONAL INDEX  
INDEX DE SECTION  
GRUPPENINDEX  
INDICE DELLA SEZIONE  
INDICA DE SECCION  
GRUPPSFORTECKNING

RGP11063 -UN-24JAN05

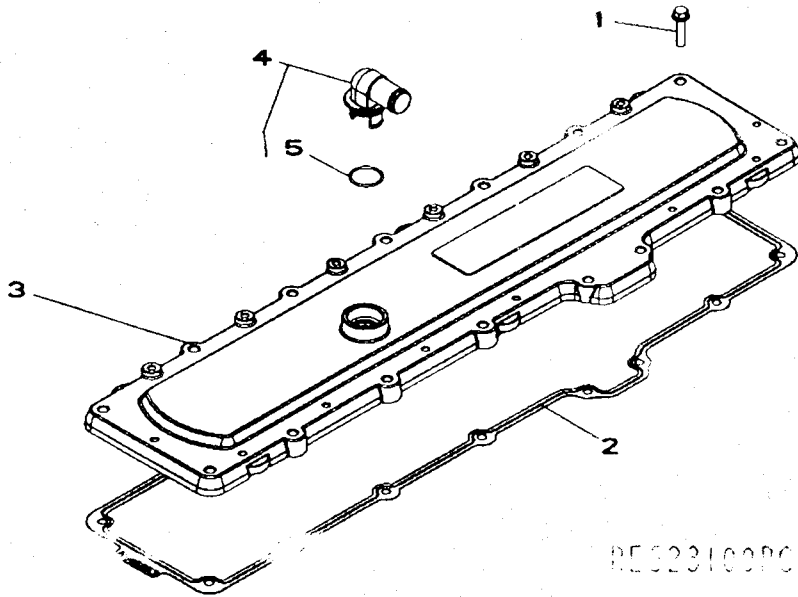
2600-	31
3900-	36
3900-	38
5700-	57
7700-	74



RGP11063

1102 (ROCKER ARM COVER)  
 1102 (CACHE-CULBUTEURS)  
 1102 (ZYLINDERKOPFDECKEL)  
 1102 (COPERCHIO BILANCIERI)  
 1102 (TAPA DE BALANCINES)  
 1102 (VENTILKAAPA)

RE523109PCDC01 -UN-10JAN06



RE523109PCDC01

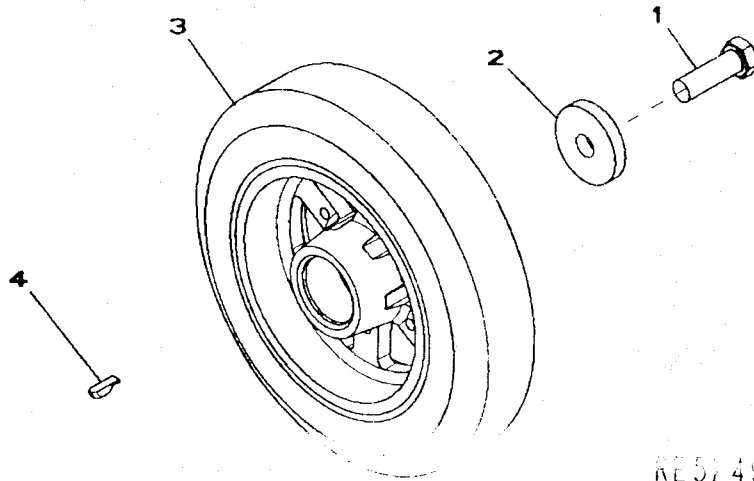
KEY	PART NO	PART NAME	QTY.	ENGINE SERIAL NO.	A L L	REMARKS
1	19M8291	SCREW	15		X	M8 X 35
2	R518263	GASKET	1		X	
3	RE529972	COVER	1		X	
4	RE529871	ELBOW FITTING	1		X	
5	T122075	O-RING	1		X	

# 20-2

ENGINE

1311 (CRANKSHAFT PULLEY AND DAMPER) (8130, 8230, AND 8330)  
 1311 (POULIE DU VILEBREQUIN)  
 1311 (KURBELWELLEN RIEMENSCHLEIBE)  
 1311 (PULEGGIA ALBERO A GOMITI)  
 1311 (POLEA DEL CIGUENAL)  
 1311 (VEVAXELNS REMSKIVA)

RE524943PCDD01 -UN-10JAN06

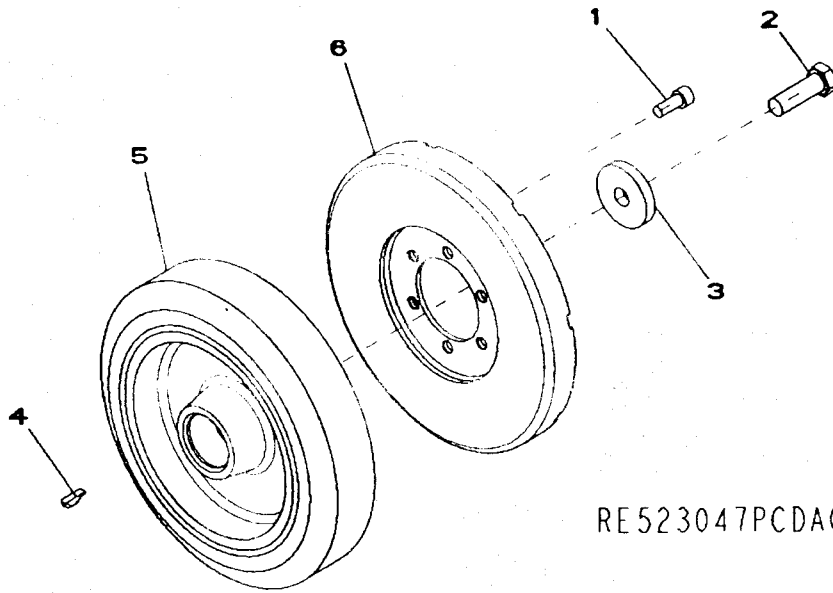


RE524943PCDD01

KEY	PART NO.	PART NAME	QTY	ENGINE SERIAL NO	REMARKS
1	19M8889	CAP SCREW	1	8 8 8	
2	R26333	WASHER	1	1 2 3	X X X M16 X 50
3	RE523527	PULLEY WITH DAMPENER	1	3 3 3	X X X
4	R523306	KEY	1	0 0 0	X X X

- 1341 (CRANKSHAFT PULLEY) (8430 - 8530)
- 1341 (POULIE DU VILEBREQUIN)
- 1341 (KURBELWELLEN RIEMENSCHIEBE)
- 1341 (PULEGGIA ALBERO A GOMITI)
- 1341 (POLEA DEL CIGUENAL)
- 1341 (VEVAXELNS REMSKIVA)

RE523047PCDA01 -UN-12JAN05



RE523047PCDA01

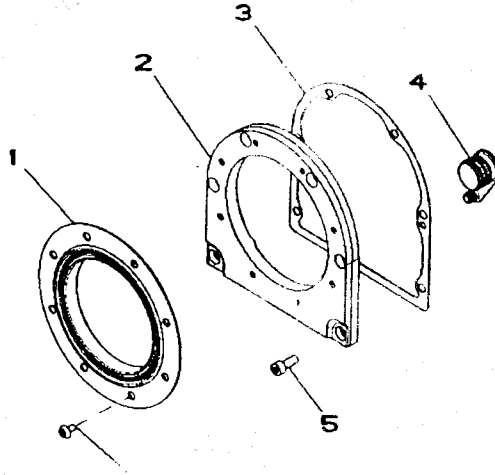
KEY	PART NO.	PART NAME	QTY	ENGINE SERIAL NO.	REMARKS
				8 8	
				4 5	
				3 3	
				0 0	
1	19M8533	SCREW	6	X X	M10 X 25
2	19M8889	CAP SCREW	1	X X	M16 X 50
3	R26333	WASHER	1	X X	
4	R523306	KEY	1	X X	
5	RE520465	TORSIONAL DAMPER	1	X X	
6	RE57604	TORSIONAL DAMPER	1	X X	

# 20-4

ENGINE

- 1499 (FLYWHEEL HOUSING)
- 1499 (CARTER VOLANT)
- 1499 (SCHWUNGRADGEHAEUSE)
- 1499 (ARCASSAVOLANO)
- 1499 (CARCASVOLANTE)
- 1499 (HUS SVAENGHJUL)

RE523301PCDE01 -UN-17JAN06



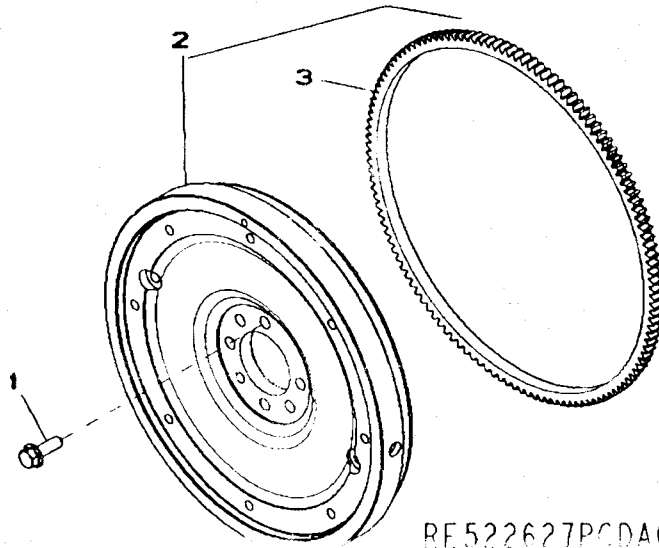
RE523301PCDE01

KEY	PART NO.	PART NAME	QTY	ENGINE SERIAL NO	A L L	REMARKS
1	RE521060	SEAL	1		X	
2	R518551	HOUSING	1		X	
3	R522768	GASKET	1		X	
4	R121929	PLUG	1		X	
5	19M8446	SCREW	6		X	M8 X 20
6	R194506	SCREW	8		X	M6 X 16



- 1501 (FLYWHEEL)
- 1501 (VOLANT)
- 1501 (CHWUNGRAD)
- 1501 (VOLANO)
- 1501 (VOLANTE)
- 1501 (SVAENGHJUL)

RE522627PCDA01 -UN-24MAY04

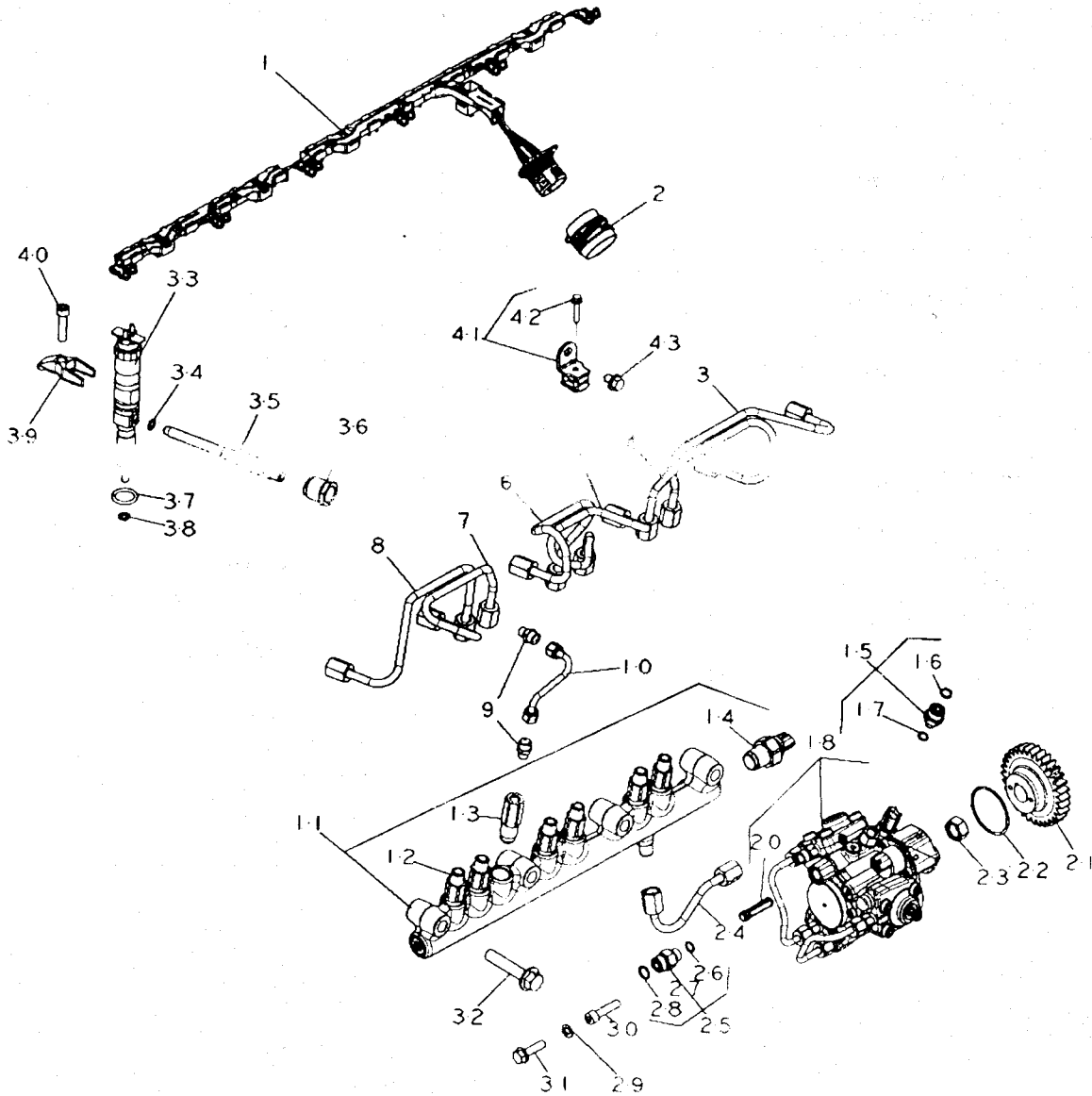


RE522627PCDA01

KEY	PART NO.	PART NAME	QTY	ENGINE SERIAL NO.	A L L	REMARKS
1	R520662	CAP SCREW	6		X	
2	RE522628	FLYWHEEL	1		X	
3	R28811	RING GEAR	1		X	

1604 (FUEL INJECTION PUMP) 8130MFWD & 8130 2WD  
1604 (POMPE D'INJECTION)  
1604 (EINSPRITZPUMPE)  
1604 (POMPA D'INIEZIONE)  
1604 (BOMBA DE INYECCION)  
1604 (INSPRUTNINGSPUMP)

RE524204PCDF01 -UN-17FEB06



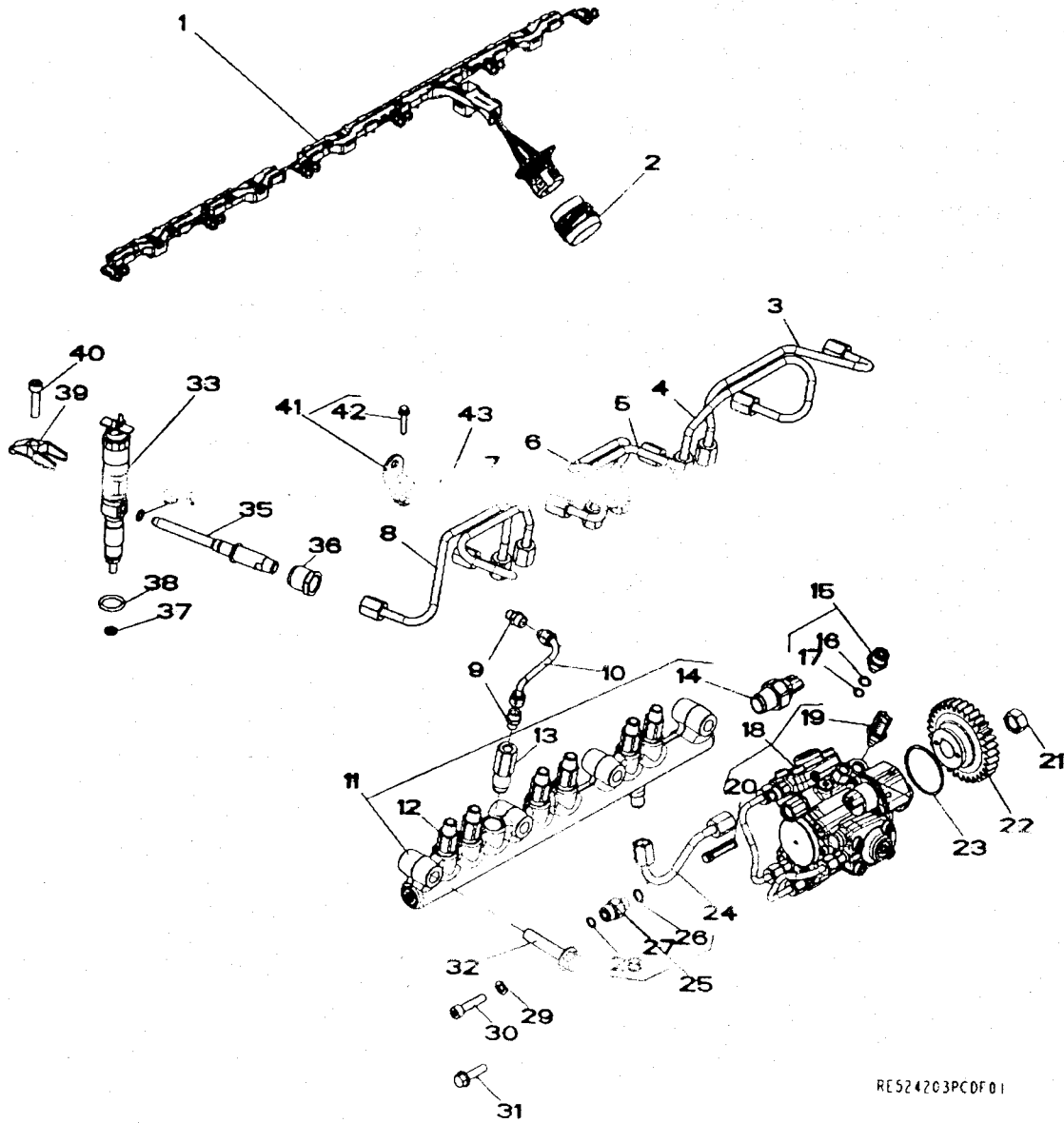
RE524204PCDF01

THIS PARTS LISTING IS CONTINUED

KEY	PART NO.	PART NAME	QTY.	ENGINE SERIAL NO	H R W O 1	REMARKS
1	RE522672	WIRING HARNESS	1		X	
2	R520441	ELEC. CONNECTOR ACCESSORY	1		X	
3	RE525513	FUEL LINE	1		X	
4	RE525514	FUEL LINE	1		X	
5	RE525515	FUEL LINE	1		X	
6	RE525516	FUEL LINE	1		X	
7	RE525517	FUEL LINE	1		X	
8	RE525518	FUEL LINE	1		X	
9	RE506624	ADAPTER FITTING	2		X	
10	RE520032	LINE	1		X	
11	RE521599	RAIL	1		X	
12	RE515636	RESTRICTOR	6		X	
13	RE524529	PRESSURE RELIEF VALVE	1		X	
14	RE523811	SENSOR	1		X	
15	RE524399	ADAPTER FITTING	1		X	
16	T77613	O-RING	1		X	
17	51M7039	O-RING	1		X	8.100 X 1.600 MM
18	RE519597	FUEL PUMP	1		X	
19	RE516336	FUEL TEMPERATURE SENSOR	1		X	
20	RE524528	KIT	1		X	
21	R518254	GEAR	1		X	
22	R521040	O-RING	1		X	
23	R91360	NUT	1		X	
24	RE520030	FUEL LINE	1		X	
25	61M5002	ADAPTER FITTING	1		X	
26	T77613	O-RING	1		X	
27	38H5002	ADAPTER FITTING	1		X	
28	51M7041	O-RING	1		X	
29	24M7095	WASHER	1		X	8.400 X 15 X 1.600 MM
30	19M8274	SCREW	1		X	M8 X 35
31	19M7868	SCREW	2		X	M8 X 30
32	19M7815	SCREW	4		X	
33	.....	KIT	1		X	(ORDER RE528409)
34	R63548	O-RING	6		X	
35	RE521635	FITTING	6		X	
36	R518871	TUBE NUT	6		X	
37	R505452	O-RING	6		X	
38	R131051	WASHER	6		X	
39	R518345	CLAMP	6		X	
40	R504781	CAP SCREW	6		X	
41	RE525519	CLAMP	3		X	
42	RE527756	SCREW WITH WASHER	1		X	
43	RE527730	CAP SCREW	3		X	

1603 (FUEL INJECTION PUMP) 8230 MFWD & 8330 MFWD  
 1603 (POMPE D'INJECTION)  
 1603 (EINSPRITZPUMPE)  
 1603 (POMPA D'INIEZIONE)  
 1603 (BOMBA DE INYECCION)  
 1603 (INSRUTNINGSPUMP)

RE524203PCDF01 UN-19FEB06

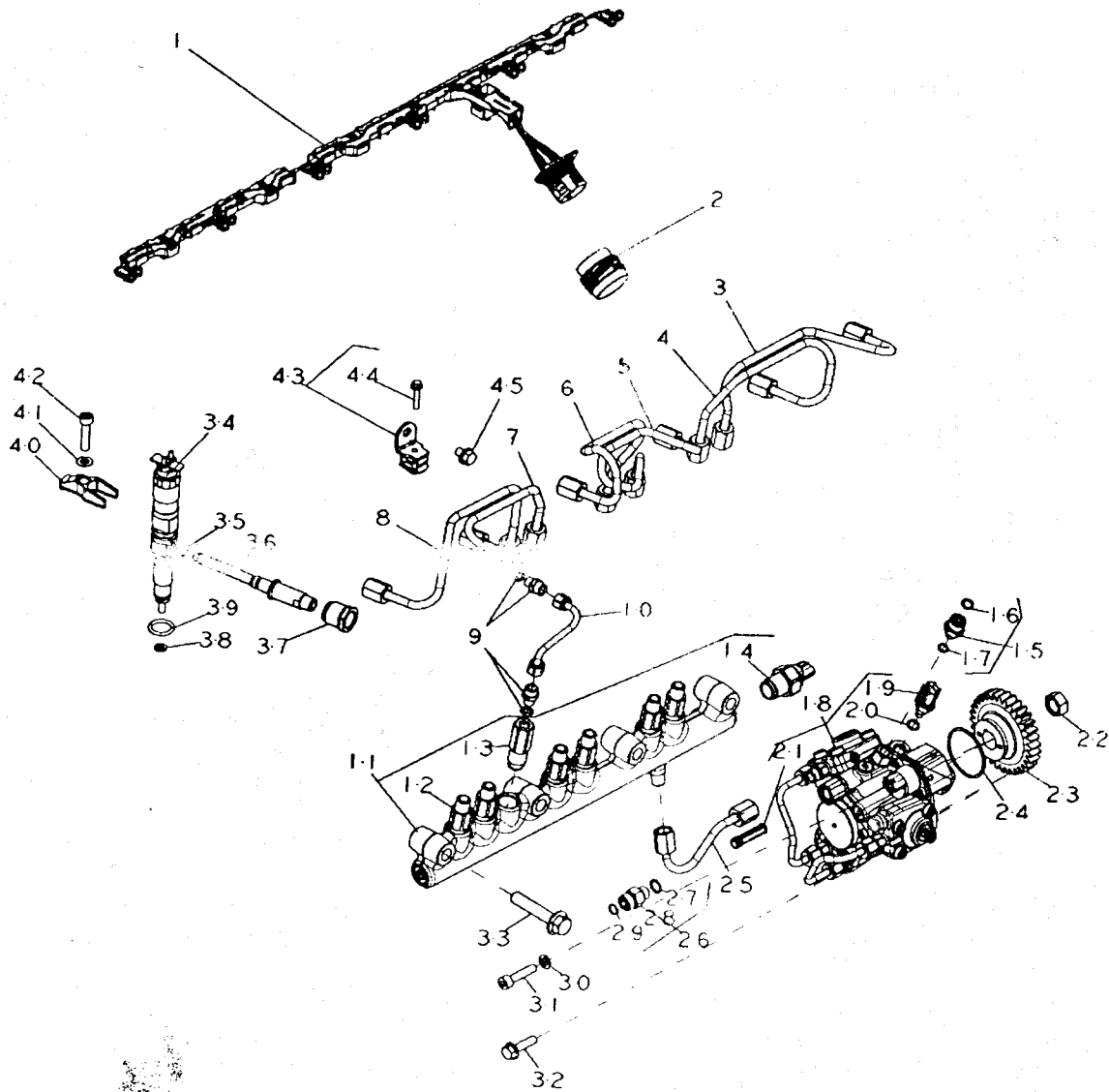


RE524203PCDF01

KEY	PART NO.	PART NAME	QTY	ENGINE SERIAL NO.	H R W O 2	REMARKS
1	RE522672	WIRING HARNESS	1		X	
2	R520441	ELEC. CONNECTOR ACCESSORY	1		X	
3	RE525513	FUEL LINE	1		X	
4	RE525514	FUEL LINE	1		X	
5	RE525515	FUEL LINE	1		X	
6	RE525516	FUEL LINE	1		X	
7	RE525517	FUEL LINE	1		X	
8	RE525518	FUEL LINE	1		X	
9	RE506624	ADAPTER FITTING	2		X	
10	RE520032	LINE	1		X	
11	RE521599	RAIL	1		X	
12	RE515636	RESTRICTOR	6		X	
13	RE524529	PRESSURE RELIEF VALVE	1		X	
14	RE523811	SENSOR	1		X	
15	RE524399	ADAPTER FITTING	1		X	
16	T77613	O-RING	1		X	
17	51M7039	O-RING	1		X	8 100 X 1 600 MM
18	RE519597	FUEL PUMP	1		X	
19	RE516336	FUEL TEMPERATURE SENSOR	1		X	
20	RE524528	KIT	1		X	
21	R91360	NUT	1		X	
22	R518254	GEAR	1		X	
23	R521040	O-RING	1		X	
24	RE520030	FUEL LINE	1		X	
25	61M5002	ADAPTER FITTING	1		X	
26	51M7041	O-RING	1		X	
27	38H5002	ADAPTER FITTING	1		X	
28	T77613	O-RING	1		X	
29	24M7095	WASHER	1		X	8.400 X 15 X 1.600 MM
30	19M8274	SCREW	1		X	M8 X 35
31	19M7868	SCREW	2		X	M8 X 30
32	19M7815	SCREW	4		X	
33	.....	KIT	1		X	(ORDER RE528408)
34	R63548	O-RING	6		X	
35	RE521635	FITTING	6		X	
36	R518871	TUBE NUT	6		X	
37	R131051	WASHER	6		X	
38	R505452	O-RING	6		X	
39	R518345	CLAMP	6		X	
40	R504781	CAP SCREW	6		X	
41	RE525519	CLAMP	3		X	
42	RE527756	SCREW WITH WASHER	1		X	
43	RE524730	CAP SCREW	3		X	

1601 (FUEL INJECTION PUMP) 8430 MFWD  
1601 (POMPE D'INJECTION)  
1601 (EINSPRITZPUMPE)  
1601 (POMPA D'INIEZIONE)  
1601 (BOMBA DE INYECCION)  
1601 (INSPRUTNINGSPUMP)

RE523113PCDG01 -UN-17FEB06



RE523113PCDG01

KEY	PART NO.	PART NAME	QTY	ENGINE SERIAL NO.	H R W O 4	REMARKS
1	RE522672	WIRING HARNESS	1		X	
2	R520441	ELEC. CONNECTOR ACCESSORY	1		X	
3	RE525513	FUEL LINE	1		X	
4	RE525514	FUEL LINE	1		X	
5	RE525515	FUEL LINE	1		X	
6	RE525516	FUEL LINE	1		X	
7	RE525517	FUEL LINE	1		X	
8	RE525518	FUEL LINE	1		X	
9	RE506624	ADAPTER FITTING	2		X	
10	RE520032	LINE	1		X	
11	RE521599	RAIL	1		X	
12	RE515636	RESTRICTOR	6		X	
13	RE524529	PRESSURE RELIEF VALVE	1		X	
14	RE523811	SENSOR	1		X	
15	RE524399	ADAPTER FITTING	1		X	
16	T77613	O-RING	1		X	
17	51M7039	O-RING	1		X	8.100 X 1.600 MM
18	RE519597	FUEL PUMP	1		X	
19	RE516336	FUEL TEMPERATURE SENSOR	1		X	
20	R524234		1		X	
21	RE524528	KIT	1		X	
22	R91360	NUT	1		X	
23	R518254	GEAR	1		X	
24	R521040	O-RING	1		X	
25	RE520030	FUEL LINE	1		X	
26	61M5002	ADAPTER FITTING	1		X	
27	51M7041	O-RING	1		X	
28	38H5002	ADAPTER FITTING	1		X	
29	T77613	O-RING	1		X	
30	24M7095	WASHER	1		X	8.400 X 15 X 1.600 MM
31	19M8274	SCREW	1		X	M8 X 35
32	19M7868	SCREW	2		X	M8 X 30
33	19M7815	SCREW	4		X	
34	.....	KIT	1		X	RE528407
35	R63548	O-RING	6		X	
36	RE521635	FITTING	6		X	
37	R518871	TUBE NUT	6		X	
38	R131051	WASHER	6		X	
39	R505452	O-RING	6		X	
40	R518345	CLAMP	6		X	
41	R522416		6		X	
42	R504781	CAP SCREW	6		X	
43	RE525519	CLAMP	2		X	
44	RE527756	SCREW WITH WASHER	1		X	
45	RE524730	CAP SCREW	3		X	

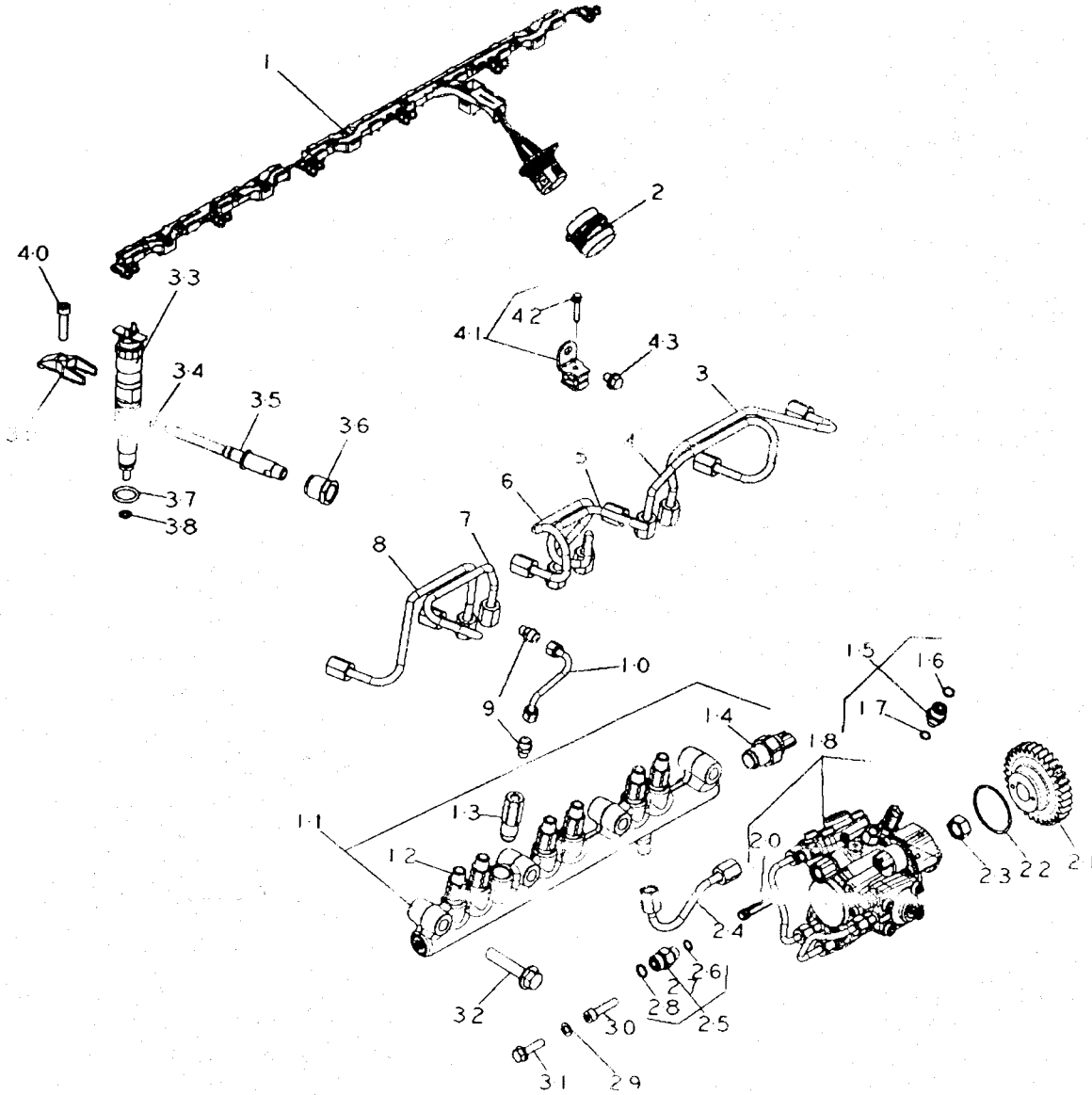
# 20-12

ENGINE

- 1604 (FUEL INJECTION PUMP) 8130 ILS
- 1604 (POMPE D'INJECTION)
- 1604 (EINSPRITZPUMPE)
- 1604 (POMPA D'INIEZIONE)
- 1604 (BOMBA DE INYECCION)
- 1604 (INSPRUTNINGSPUMP)

RE524204PCDF01

-UN-17FEB06



RE524204PCDF01



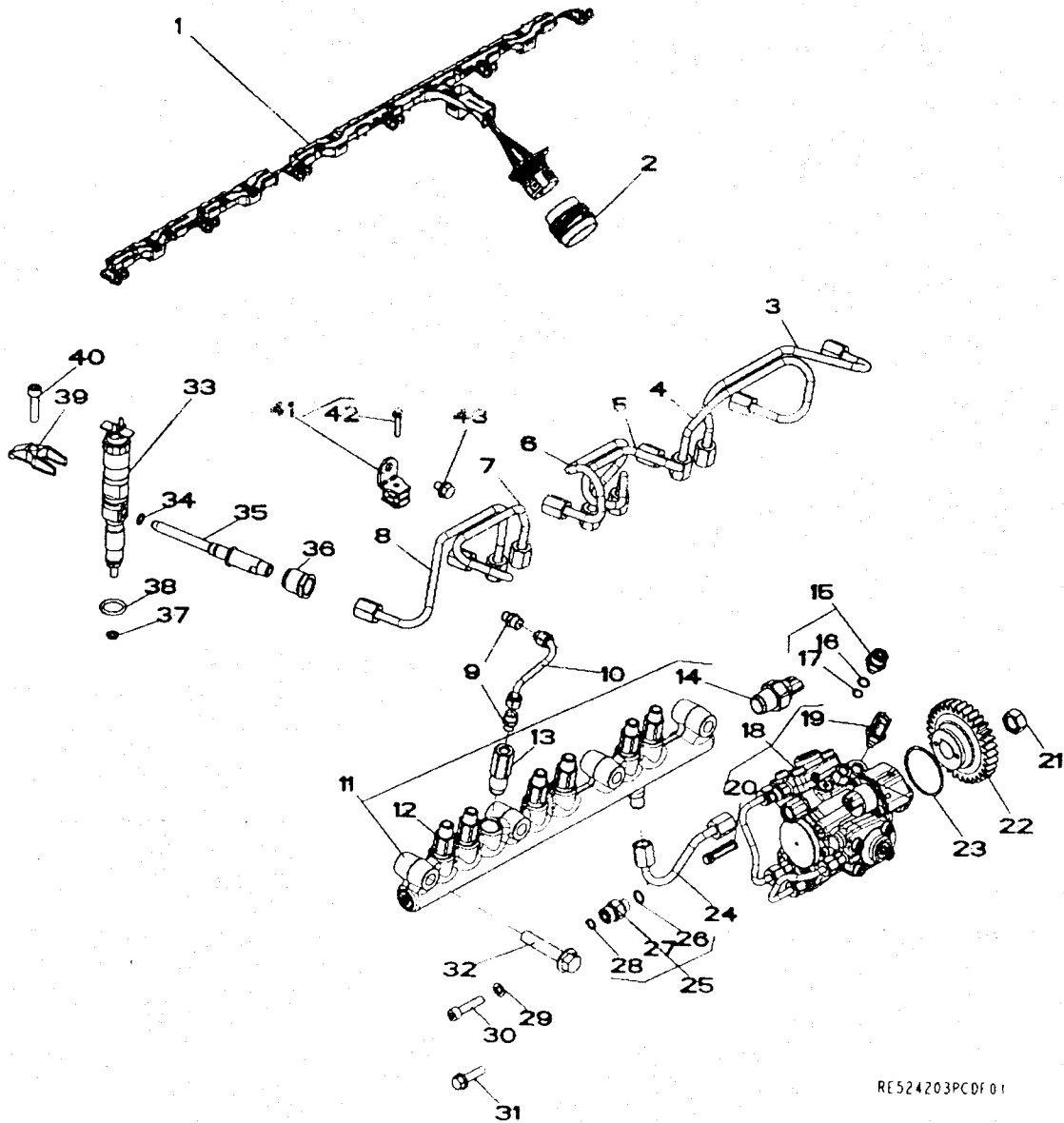
KEY	PART NO.	PART NAME	QTY.	ENGINE SERIAL NO.	H R W O 5	REMARKS
1	RE522672	WIRING HARNESS	1		X	
2	R520441	ELEC. CONNECTOR ACCESSORY	1		X	
3	RE525513	FUEL LINE	1		X	
4	RE525514	FUEL LINE	1		X	
5	RE525515	FUEL LINE	1		X	
6	RE525516	FUEL LINE	1		X	
7	RE525517	FUEL LINE	1		X	
8	RE525518	FUEL LINE	1		X	
9	RE506624	ADAPTER FITTING	2		X	
10	RE520032	LINE	1		X	
11	RE521599	RAIL	1		X	
12	RE515636	RESTRICTOR	6		X	
13	RE524529	PRESSURE RELIEF VALVE	1		X	
14	RE523811	SENSOR	1		X	
15	RE524399	ADAPTER FITTING	1		X	
16	T77613	O-RING	1		X	8.100 X 1.600 MM
17	51M7039	O-RING	1		X	
18	RE519597	FUEL PUMP	1		X	
19	RE516336	FUEL TEMPERATURE SENSOR	1		X	
20	RE524528	KIT	1		X	
21	R518254	GEAR	1		X	
22	R521040	O-RING	1		X	
23	R91360	NUT	1		X	
25	51M5002	ADAPTER FITTING	1		X	
26	T77613	O-RING	1		X	
27	38H5002	ADAPTER FITTING	1		X	
28	51M7041	O-RING	1		X	8.400 X 15 X 1.600 MM
29	24M7095	WASHER	1		X	M8 X 35
30	19M8274	SCREW	1		X	M8 X 30
31	19M7868	SCREW	2		X	
32	19M7815	SCREW	4		X	RE528409
33		KIT	1		X	
34	R63548	O-RING	6		X	
35	RE521635	FITTING	6		X	
36	R518871	TUBE NUT	6		X	
37	R505452	O-RING	6		X	
38	R131051	WASHER	6		X	
39	R518345	CLAMP	6		X	
40	R504781	CAP SCREW	6		X	
41	RE525519	CLAMP	3		X	
42	RE527756	SCREW WITH WASHER	1		X	
43	RE524730	CAP SCREW	3		X	

# 20-14

ENGINE

1603 (FUEL INJECTION PUMP) 8230 ILS & 8330 ILS  
1603 (POMPE D'INJECTION)  
1603 (EINSPRITZPUMPE)  
1603 (POMPA D'INIEZIONE)  
1603 (BOMBA DE INYECCION)  
1603 (INSPRUTNINGSPUMP)

RE524203PCDF01 -UN-19FEB06



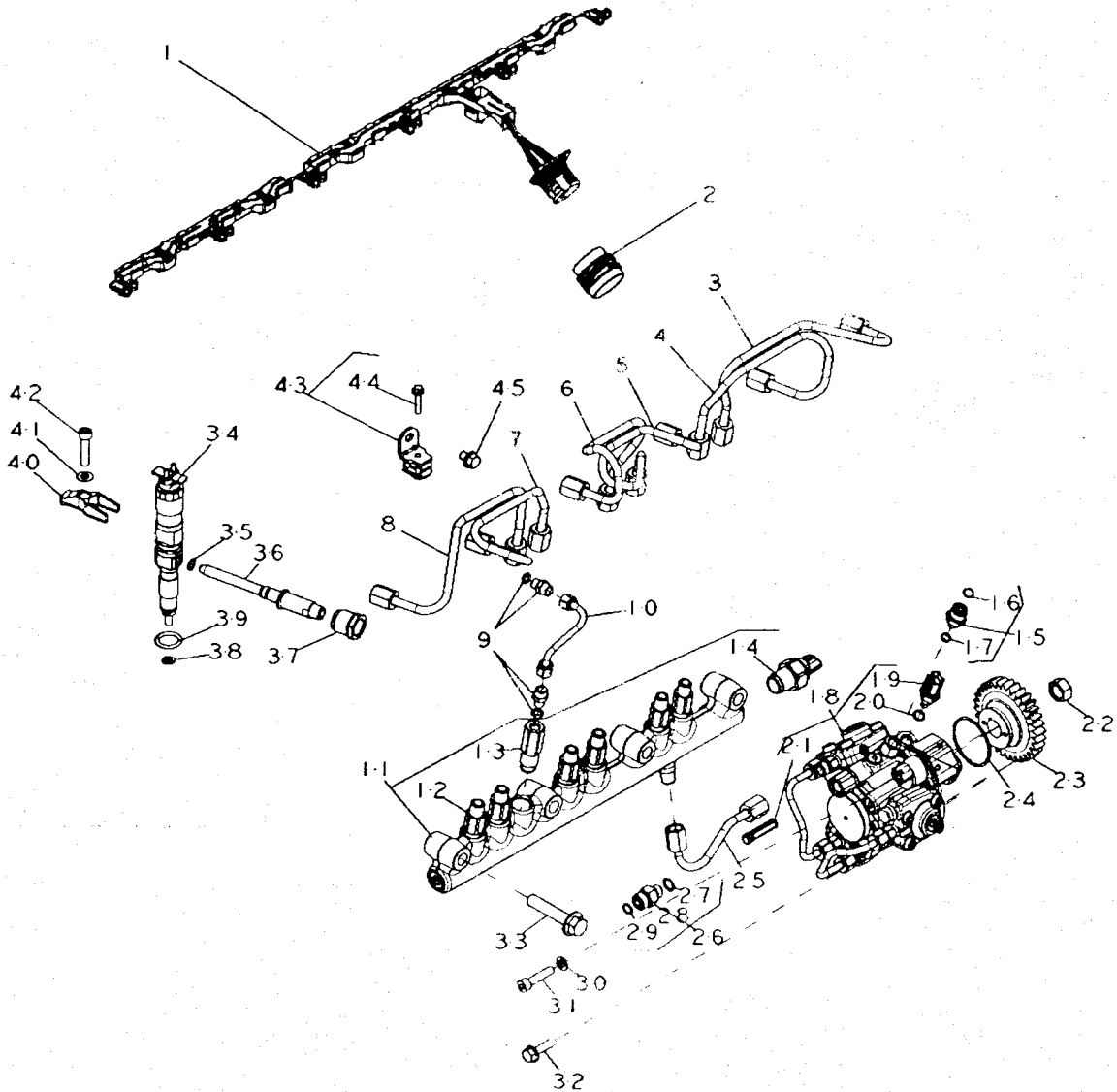
RE524203PCDF01

KEY	PART NO.	PART NAME	QTY.	ENGINE SERIAL NO.	H R W O G	REMARKS
1	RE522672	WIRING HARNESS	1		X	
2	R520441	ELEC. CONNECTOR ACCESSORY	1		X	
3	RE525513	FUEL LINE	1		X	
4	RE525514	FUEL LINE	1		X	
5	RE525515	FUEL LINE	1		X	
6	RE525516	FUEL LINE	1		X	
7	RE525517	FUEL LINE	1		X	
8	RE525518	FUEL LINE	1		X	
9	RE506624	ADAPTER FITTING	2		X	
10	RE520032	LINE	1		X	
11	RE521599	RAIL	1		X	
12	RE515636	RESTRICTOR	6		X	
13	RE524529	PRESSURE RELIEF VALVE	1		X	
14	RE523811	SENSOR	1		X	
15	RE524399	ADAPTER FITTING	1		X	
16	T77613	O-RING	1		X	
17	51M7039	O-RING	1		X	8.100 X 1.500 MM
18	RE519597	FUEL PUMP	1		X	
19	RE516336	FUEL TEMPERATURE SENSOR	1		X	
20	RE524528	KIT	1		X	
21	R91360	NUT	1		X	
22	R518254	GEAR	1		X	
23	R521040	O-RING	1		X	
24	RE520030	FUEL LINE	1		X	
25	61M5002	ADAPTER FITTING	1		X	
26	51M7041	O-RING	1		X	
27	38H5002	ADAPTER FITTING	1		X	
28	T77613	O-RING	1		X	
29	24M7095	WASHER	1		X	8.400 X 15 X 1.600 MM
30	19M8274	SCREW	1		X	M8 X 35
31	19M7868	SCREW	2		X	M8 X 30
32	19M7815	SCREW	4		X	
33	.....	KIT	1		X	RE528408
34	R63548	O-RING	6		X	
35	RE521635	FITTING	6		X	
36	R518871	TUBE NUT	6		X	
37	R131051	WASHER	6		X	
38	R505452	O-RING	6		X	
39	R518345	CLAMP	6		X	
40	R504781	CAP SCREW	6		X	
41	RE525519	CLAMP	3		X	
42	RE527756	SCREW WITH WASHER	1		X	
43	RE524730	CAP SCREW	3		X	

# 20-16

ENGINE

501 (FUEL INJECTION PUMP) 8430 ILS & 8530 ILS  
501 (POMPE D'INJECTION)  
501 (EINSPRITZPUMPE)  
501 (POMPA D'INIEZIONE)  
501 (BOMBA DE INYECCION)  
501 (INSPRUTNINGSPUMP)  
E523113PCDG01 -UN-17FEB06



RE523113PCDG01

THIS PARTS LISTING IS CONTINUED

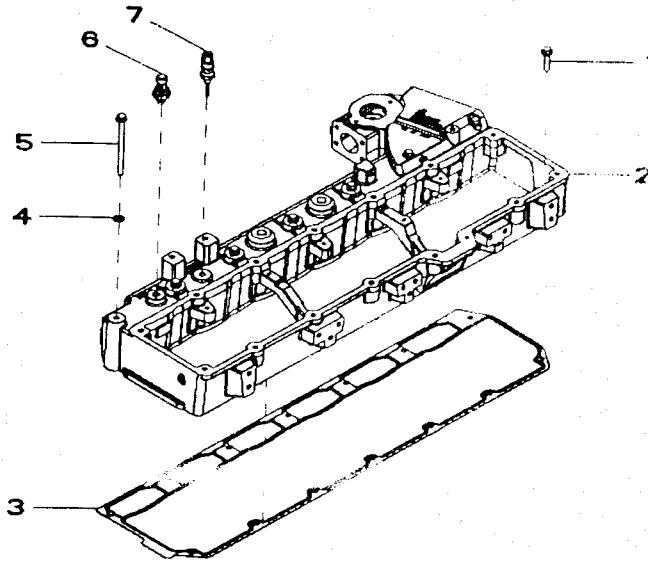
KEY	PART NO.	PART NAME	QTY	ENGINE SERIAL NO.	H R W O 8	REMARKS
1	RE522672	WIRING HARNESS	1		X	
2	R520441	ELEC. CONNECTOR ACCESSORY	1		X	
3	RE525513	FUEL LINE	1		X	
4	RE525514	FUEL LINE	1		X	
5	RE525515	FUEL LINE	1		X	
6	RE525516	FUEL LINE	1		X	
7	RE525517	FUEL LINE	1		X	
8	RE525518	FUEL LINE	1		X	
9	RE506624	ADAPTER FITTING	2		X	
10	RE520032	LINE	1		X	
11	RE521599	RAIL	1		X	
12	RE515636	RESTRICTOR	6		X	
13	RE524529	PRESSURE RELIEF VALVE	1		X	
14	RE523811	SENSOR	1		X	
15	RE524399	ADAPTER FITTING	1		X	
16	T77613	O-RING	1		X	
17	51M7039	O-RING	1		X	8.100 X 1.600 MM
18	RE519597	FUEL PUMP	1		X	
19	RE516336	FUEL TEMPERATURE SENSOR	1		X	
20	R524234		1		X	
21	RE524528	KIT	1		X	
22	R91360	NUT	1		X	
23	R518254	GEAR	1		X	
24	R521040	O-RING	1		X	
25	RE525530	FUEL LINE	1		X	
26	61M5002	ADAPTER FITTING	1		X	
27	51M7041	O-RING	1		X	
28	38H5002	ADAPTER FITTING	1		X	
29	T77613	O-RING	1		X	
30	24M7095	WASHER	1		X	8.400 X 15 X 1.600 MM
31	19M8274	SCREW	1		X	M8 X 35
32	19M7868	SCREW	2		X	M8 X 30
33	19M7815	SCREW	4		X	
34	.....	KIT	1		X	RE528407
35	R63548	O-RING	6		X	
36	RE521635	FITTING	6		X	
37	R518871	TUBE NUT	6		X	
38	R131051	WASHER	6		X	
39	R505452	O-RING	6		X	
40	R518345	CLAMP	6		X	
41	R522416		6		X	
42	R504781	CAP SCREW	6		X	
43	RE525519	CLAMP	-3		X	
44	RE527756	SCREW WITH WASHER	1		X	
45	RE524730	CAP SCREW	3			

# 20-18

ENGINE

- 1701 (AIR INTAKE)
- 1701 (ADMISSION D'AIR)
- 1701 (LUFTEINLASS)
- 1701 (INGRESSO ARIA)
- 1701 (ENTRADA DE AIRE)
- 1701 (LUFTINTAG)

RE523114PCDC01 -UN-21FEB06



RE523114PCDC01

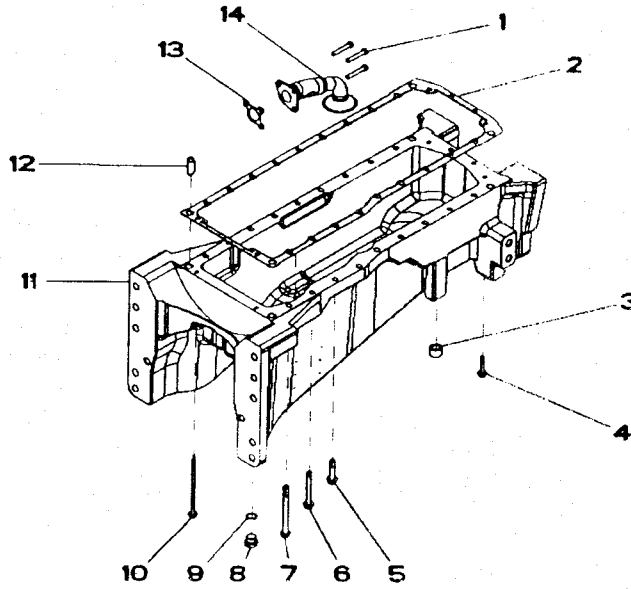
KEY	PART NO.	PART NAME	QTY.	ENGINE SERIAL NO.	A L L	REMARKS
1	19M8291	SCREW	7		X	M8 X 35
2	RE520442	INTAKE MANIFOLD	1		X	
3	R518260	GASKET	1		X	
4	R520424	SEALING WASHER	7		X	
5	19M7873	SCREW	7		X	M8 X 110
6	RE522723	MANIFOLD AIR PRESS. SENSOR	1		X	
7	RE522823	TEMPERATURE SENSOR	1		X	

# 20-20

ENGINE

- 1910 (OIL PAN) - 8130MFWD & 8130 2WD
- 1910 (CARTER D'HUILE)
- 1910 (OELWANNE)
- 1910 (COPPA DELL'OLIO)
- 1910 (CARTER DE ACEITE)
- 1910 (OLJETRAAG)

RE524916PCDC01 -UN-21FEB06



RF 524916PCDC01



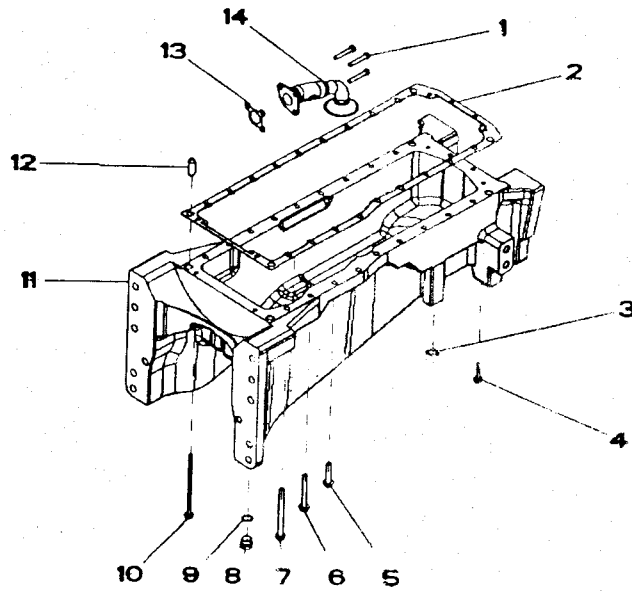
# 20-21

ENGINE

KEY	PART NO.	PART NAME	QTY.	ENGINE SERIAL NO.	H R W O 1	REMARKS
1	19M9399	CAP SCREW	3		X	M10 X 60
2	R520844	GASKET	1		X	
3	ET14521	BUSHING	4		X	
4	19M8292	SCREW	4		X	
5	19M7815	SCREW	6		X	
6	19M7820	SCREW	4		X	M12 X 100
7	19M7840	SCREW	8		X	
8	R84262	FITTING PLUG	1		X	
9	F3171R	O-RING	1		X	
10	19M8526	SCREW	2		X	
11	RE222026	FRAME	1		X	FURNISH (2) R119654 FOR 8020 SERIES AND (4) R119654 FOR 8030 SERIES
12	R119654	DOWEL PIN	4		X	
13	R100569	GASKET	1		X	
14	RE520585	OIL PUMP INTAKE	1		X	

1910 (OIL PAN) 8230MFWD & 8330MFWD  
1910 (CARTER D'HUILE)  
1910 (OELWANNE)  
1910 (COPPA DELL'OLIO)  
1910 9CARTER DE ACEITE)  
1910 (OLJETRAAG)

RE524916PCDC01 -UN-21FEB06



RE524916PCDC01

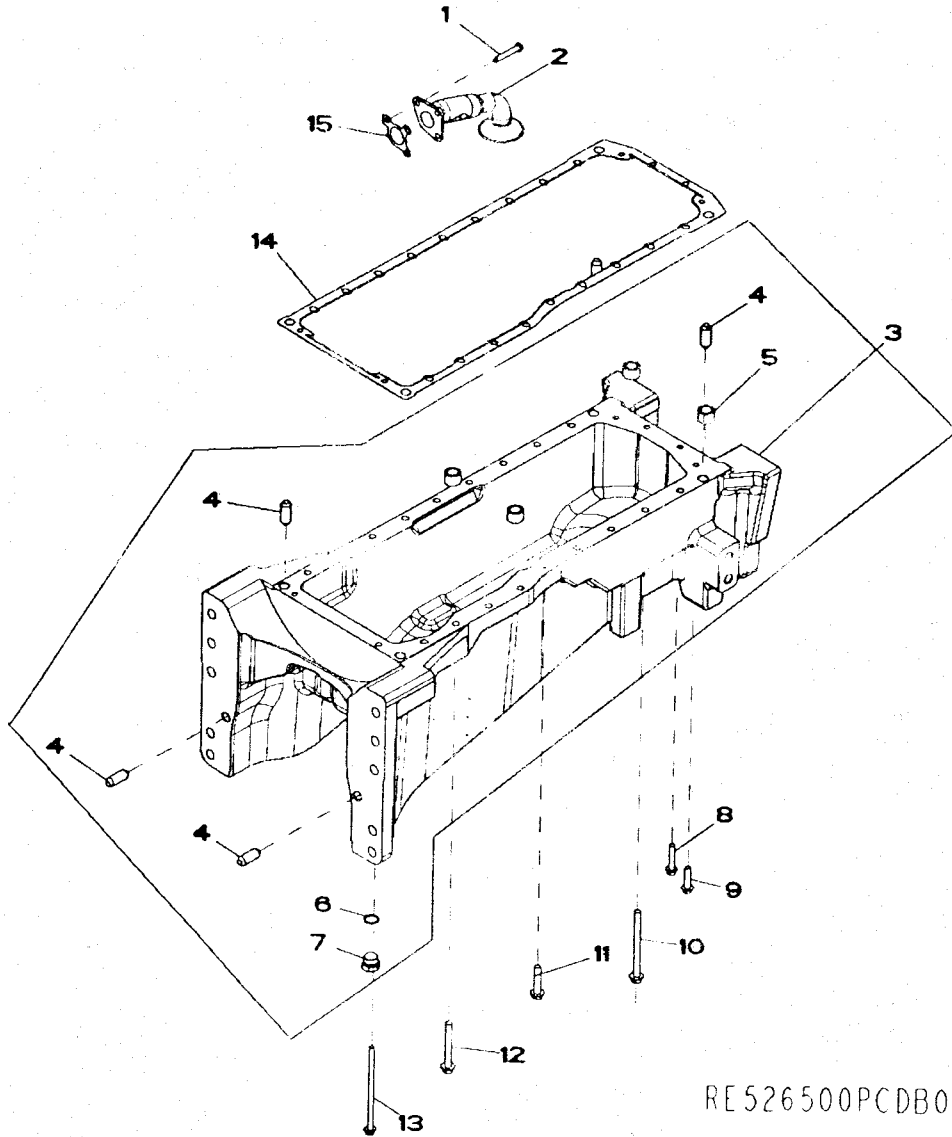
KEY	PART NO.	PART NAME	QTY	ENGINE SERIAL NO.	H R W O 2	REMARKS
1	19M9399	CAP SCREW	3		X	M10 X 60
2	R520844	GASKET	1		X	
3	ET14521	BUSHING	4		X	
4	19M8292	SCREW	4		X	
5	19M7815	SCREW	6		X	
6	19M7820	SCREW	4		X	
7	19M7840	SCREW	8		X	
8	R84262	FITTING PLUG	1		X	
9	F3171R	O-RING	1		X	23.470 X 2.950 MM
10	19M8526	SCREW	2		X	M10 X 190
11	R241173		1		X	
12	R119654	DOWEL PIN	4		X	18.935 X 50.500 MM
13	R100569	GASKET	1		X	
14	RE520585	OIL PUMP INTAKE	1		X	

# 20-24

ENGINE

1917 (OIL PAN) 8430MFWD  
1917 (CARTER D'HUILE)  
1917 (OELWANNE)  
1917 (COPPA DELL'OLIO)  
1917 9CARTER DE ACEITE)  
1917 (OLJETRAAG)

RE526500PCDB02 -UN-04JAN06



RE526500PCDB02

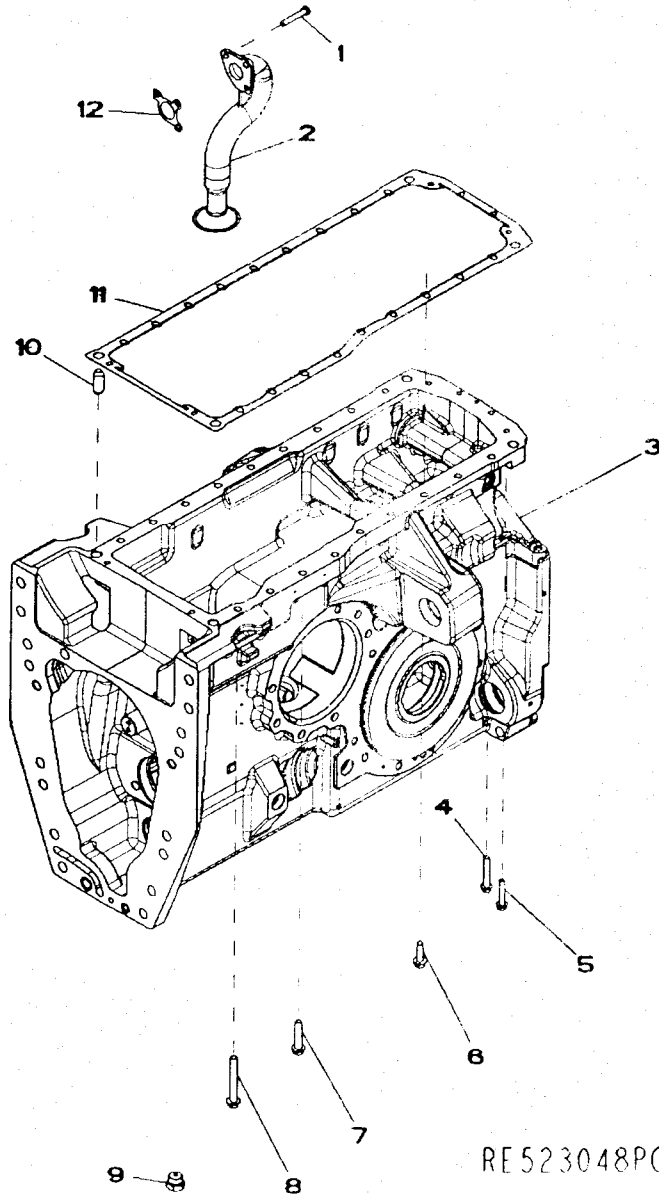
THIS PARTS LISTING IS CONTINUED

KEY	PART NO.	PART NAME	QTY.	ENGINE SERIAL NO.	H R W 0 4	REMARKS
1	19M9399	CAP SCREW	3		X	M10 X 60
2	RE520585	OIL PUMP INTAKE	1		X	
3	RE254499	FRAME	1		X	
4	R119654	DOWEL PIN	6		X	
5	ET14521	BUSHING	4		X	
6	F3171R	O-RING	1		X	
7	R84262	FITTING PLUG	1		X	
8	19M8528	SCREW	2		X	M10 X 55
9	19M8320	SCREW	2		X	M10 X 45
10	19M7843	SCREW	3		X	M12 X 150
11	19M7815	SCREW	6		X	M12 X 60
12	19M7820	SCREW	4		X	M12 X 100
13	19M8526	SCREW	2		X	M10 X 190
14	RE20844	GASKET	1		X	
15	RE20844	GASKET	1		X	

# 20-26

1904 (OIL PAN) - ALL ILS TRACTORS  
1904 (CARTER D'HUILE)  
1904 (OELWANNE)  
1904 (COPPA DELL'OLIO)  
1904 9CARTER DE ACEITE)  
1904 (OLJETRAAG)

RE523048PCDB01 -UN-11MAY05



RE 523048PCDB01

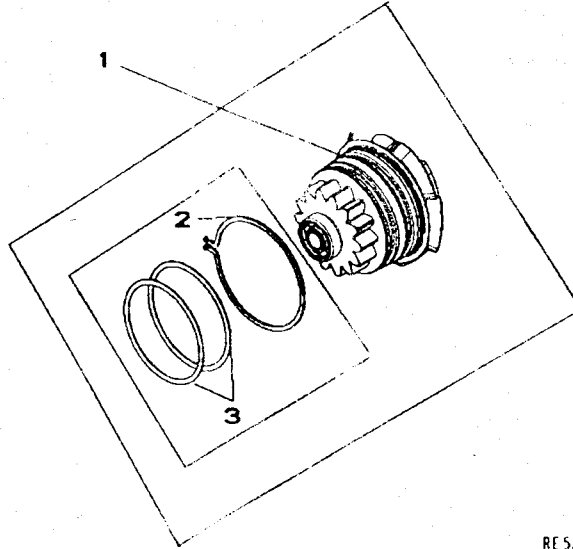
THIS PARTS LISTING IS CONTINUED

# 20-27

KEY	PART NO.	PART NAME	QTY	ENGINE SERIAL NO.	HHH	REMARKS
					RRR	
					WWW	
					0 0 0	
					5 6 8	
1	19M9399	CAP SCREW	2		X X X	M10 X 60
2	RE525899	OIL PUMP INTAKE	1		X X X	
3		OIL PAN	1		X X X	
4	19M7808	SCREW	4		X X X	M10 X 65
5	19M8528	SCREW	4		X X X	M10 X 55
6	19M7791	BOLT	6		X X X	M12 X 40
7	19M7815	SCREW	4		X X X	M12 X 60
8	19M7820	SCREW	4		X X X	M12 X 60
9	R27175	DRAIN PLUG	1		X X X	
10	R119654	DOWEL PIN	4		X X X	
11	R520844	GASKET	1		X X X	
12	R100569	GASKET	1		X X X	

- 2001 (WATER PUMP)
- 2001 (POMPE A EAU)
- 2001 (WASSERPUMPE)
- 2001 (POMPA DELL'ACQUA)
- 2001 (BOMBA DE AGUA)
- 2001 (VATTENPUMP)

RE523116PCDC01 -UN-17MAY05

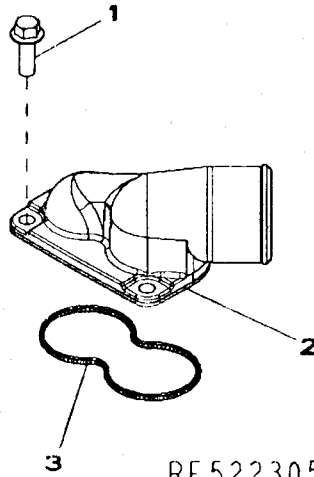


RE523116PCDC01

KEY	PART NO.	PART NAME	QTY	ENGINE SERIAL NO	A L L	REMARKS
1	RE523828	WATER PUMP	1		X	
2	R520701	SNAP RING	1		X	
3	RE509463	KIT	1		X	



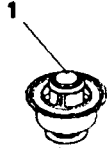
2101 (THERMOSTAT COVER)  
 2101 (COUVERCLE DE THERMOSTAT)  
 2101 (THERMOSTATDECKEL)  
 2101 (COPERCHIO TERMOSTATO)  
 2101 (TAPADERA TERMOSTATO)  
 2101 (SKYDDSKAAPA TERMOSTAT)  
 RE522305PCDA01 -UN-30NOV04



RE522305PCDA01

KEY	PART NO.	PART NAME	QTY.	ENGINE SERIAL NO.	A L L	REMARKS
1	19M7786	SCREW	3	-001819	X	M10 X 30
2	RE502569	COVER	1	-001819	X	
	RE529970	HOUSING	1	001820-	X	SEE THERMOSTAT HOUSING
3	R136151	SEAL	1	-001819	X	

2201 (THERMOSTAT) (ESN -001819)  
 2201 (THERMOSTAT) (ESN -001819)  
 2201 (THERMOSTAT) (ESN -001819)  
 2201 (THERMOSTATO) (ESN -001819)  
 2201 (THERMOSTATO) (ESN -001819)  
 2201 (THERMOSTAT) (ESN -001819)  
 RE522968PCDA01 -UN-06OCT04

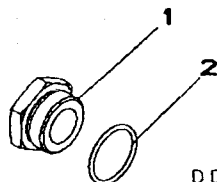


RE522968PCDA01

KEY	PART NO.	PART NAME	QTY.	ENGINE SERIAL NO.	A L L	REMARKS
1	RE69581	THERMOSTAT	2	-00819	X	
	RE528652	THERMOSTAT	2	001820-	X	SEE THERMOSTAT HOUSING

2699 (ENGINE COOLANT HEATER)  
 2699 (RECHAUFFEUR DU LIQUIDE DE REFROIDISSEMENT)  
 2699 (KUEHLWASSER-VORWAERMER)  
 2699 (RISCALDATORE REFRIGERANTE)  
 2699 (DISPOSITIVO PARA EL CALENTAMIENTO DEL LIQUIDO REFRIGERANTE)  
 2699 (KYLVATSKEVARMARE)

RE523130PCDA01 -UN-01FEB05



RE523130PCDA01

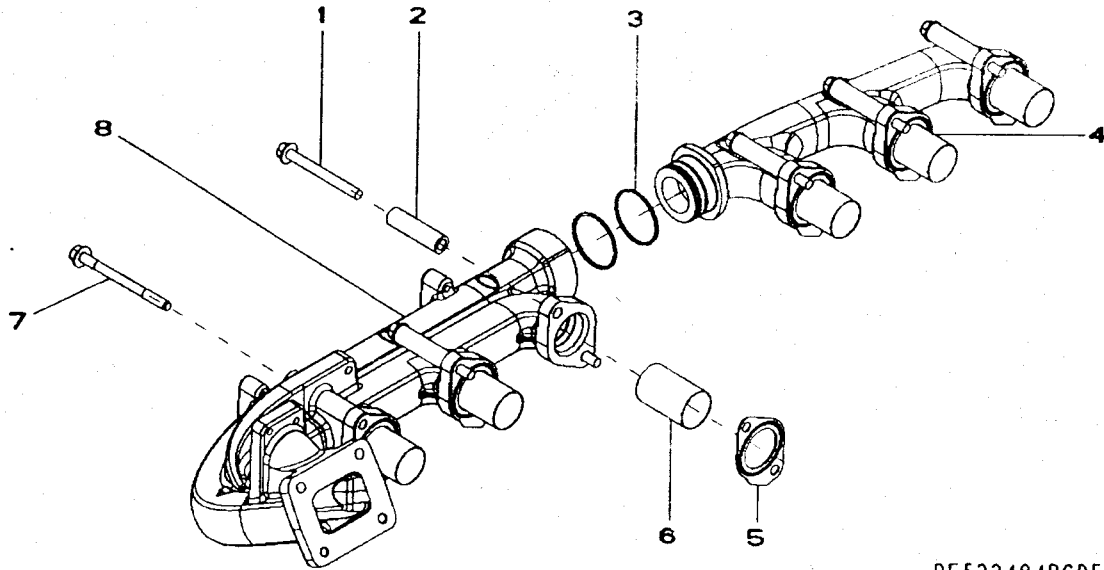
KEY	PART NO.	PART NAME	QTY.	ENGINE SERIAL NO.	H R W 0 1	REMARKS
1	R39741	DRAIN PLUG	1		X	
2	U13639	O-RING	1		X	

# 20-32

ENGINE

2801 (EXHAUST MANIFOLD)  
 2801 (COLLECTEUR D'ECHAPPEMENT)  
 2801 (AUSPUFFKRUEMMER)  
 2801 (COLLETTORE DI SCARICO)  
 2801 (COLECTOR DE ESCAPE)  
 2801 (AVGASGRENROER)

RE522484PCDE01 -UN-22FEB06

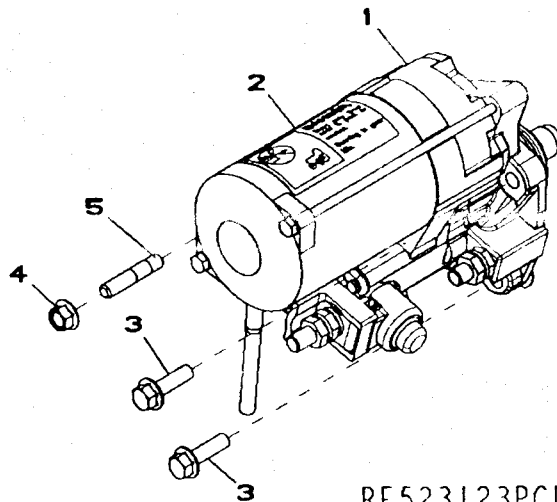


RE522484PCDE01

KEY	PART NO.	PART NAME	QTY.	ENGINE SERIAL NO.	A L L	REMARKS
1	R521323	SCREW	11		X	
2	R520632	SPACER	11		X	
3	R135482	RING	2		X	
4	R524337	EXHAUST MANIFOLD	1		X	
5	R519361	GASKET	6		X	
6	R522574	SLEEVE	6		X	
7	R520410	CAP SCREW	1		X	
8	R519311	EXHAUST MANIFOLD	1		X	

3001 (STARTING MOTOR)  
 3001 (DEMARREUR)  
 3001 (ANLASSER)  
 3001 (MOTORINO DI AVVIAMENTO)  
 3001 (MOTOR DA ARRANQUE)  
 3001 (STARTMOTOR)

RE523123PCDA01 -UN-11MAY05

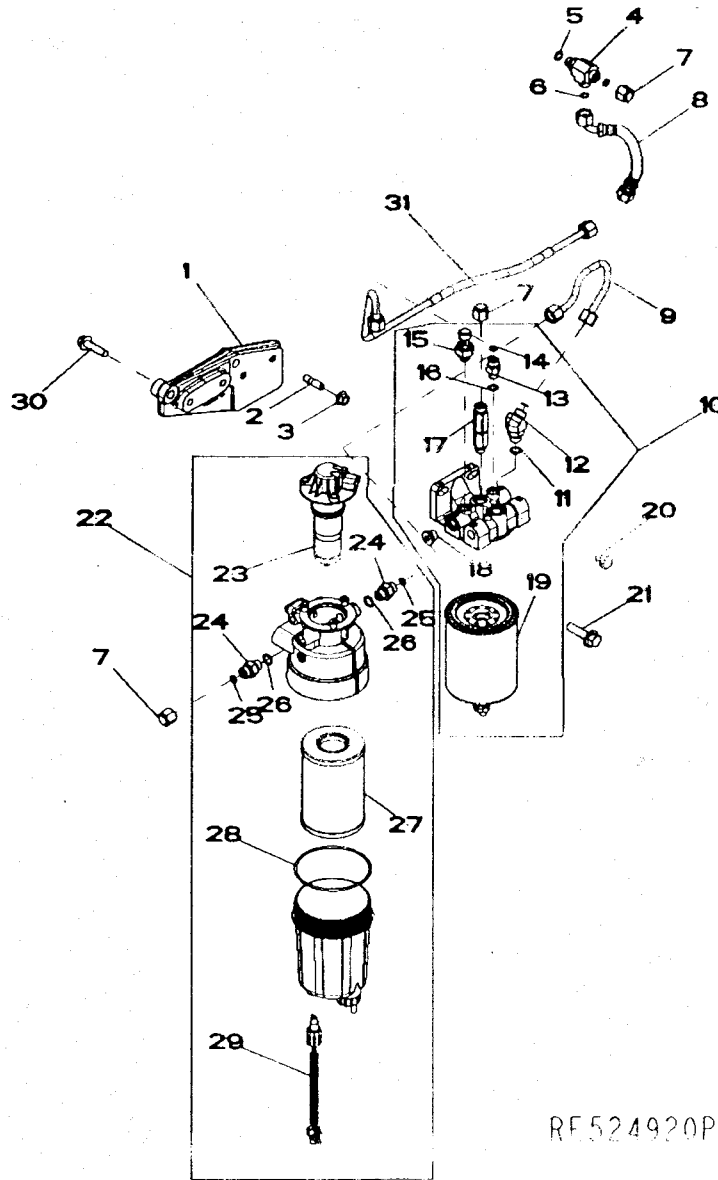


RE523123PCDA01

KEY	PART NO.	PART NAME	QTY.	ENGINE SERIAL NO.	A	REMARKS
					L	
1	RE529661	STARTER MOTOR	1		X	
2	T146102	LABEL	1		X	
3	19M7835	SCREW	2		X	M10 X 35
4	14M7296	FLANGE NUT	1		X	M10
5	42M7036	STUD	1		X	

3507 (FUEL FILTER)  
3507 (FILTRE A COMBUSTIBLE)  
3507 (KRAFTSTOFFFILTER)  
3507 (FILTRO DEL COMBUSTIBILE)  
3507 (FILTRO DE COMBUSTIBLE)  
3507(BRAENSLEFILTER)

RE524920PCDD01 -UN-16FEB06



RE524920PCDD01

THIS PARTS LISTING IS CONTINUED

KEY	PART NO.	PART NAME	QTY	ENGINE SERIAL NO.	A L L	REMARKS
1	R520102	BRACKET	1		X	
2	42M7089	STUD	2		X	
3	14M7296	FLANGE NUT	2		X	
4	38H5067	TEE FITTING	1		X	
5	51M7041	O-RING	1		X	
6	T77613	O-RING	2		X	
7	38H1415	FITTING	3		X	
8	RE525509	FUEL LINE	1		X	
9	RE523346	FUEL LINE	1		X	
10	RE528865	FILTER	1		X	
11	51M7096	O-RING	2		X	
12	38H5154	ELBOW FITTING	1		X	
13	38H5002	ADAPTER FITTING	1		X	
14	R63548	O-RING	2		X	
15	RE522794	SENSOR	1		X	
16	51M7095	O-RING	1		X	
17	RE528864	BLEED VALVE	1		X	
18	T122803	FITTING PLUG	1		X	
19	RE523236	FILTER ELEMENT	1		X	(SUB RE525523) 2 MICRON
	RE525523	FILTER ELEMENT	1		X	(INCLUDES RE520906, R522921 AND RE523236 AND R501388 AND RE523787)
20	RE46684	PLUG	1		X	
21	19M7813	SCREW	2		X	M12 X 45
22	RE528991	PUMP	1		X	FUEL PUMP AND FILTER ASSEMBLY
23	RE528990	FUEL PUMP	1		X	
24	38H5037	ADAPTER FITTING	2		X	
25	R63548	O-RING	2		X	
26	51M7096	O-RING	2		X	1. 300 x 2,200 MM
27	RE520906	FILTER ELEMENT	1		X	(SUB RE525523) 10 MICRON
	RE525523	FILTER ELEMENT	1		X	(INCLUDES RE520906 AND R522921 AND RE523236 AND R501388 AND RE523787)
28	R522921	O-RING	1		X	
29	RE503590	MOISTURE SENSOR	1		X	
30	19M7804	SCREW	2		X	M10 X 40
31	RE520044	FUEL LINE	1		X	

KEY	PART NO.	PART NAME	QTY.	ENGINE SERIAL NO.	A L L	REMARKS
1	19M7786	SCREW	4	-001819	X	M10 X 30
2	RE48419	SENSOR	1	-001819	X	
3	R505514	TUBE	1	-001819	X	
4	R515407	GASKET	1	-001819	X	
5	RE500576	FITTING	1	-001819	X	
6	RE522304	HOUSING	1	001819	X	

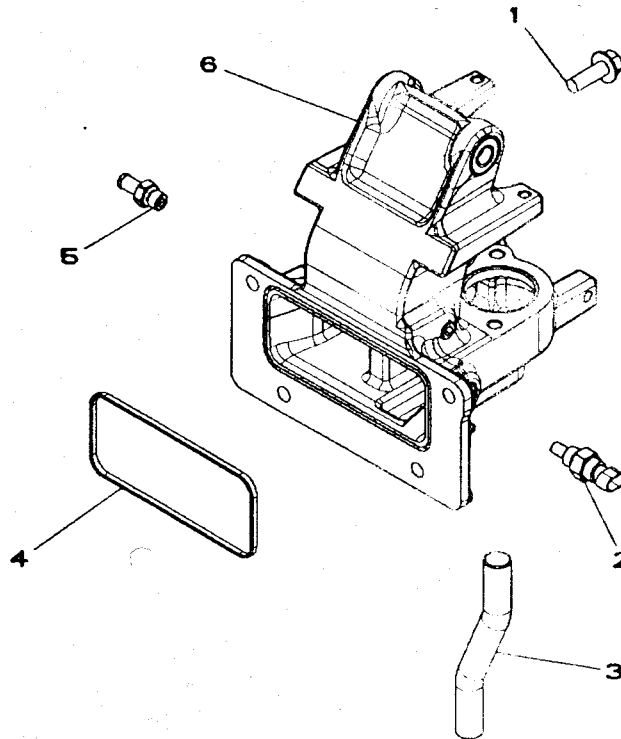


# 20-36

ENGINE

3901 (THERMOSTAT HOUSING / BY PASS TUBE TO WATER PUMP) (-001819)  
3901 (BOITIER DE THERMOSTAT / TUBE DE DERIVATION A LA POMPE A EAU)  
3901 (THERMOSTAT-GEHAEUSE / ABLEITUNGSROHR ZUR WASSERPUMPE)  
3901 (CARCASSA TERMOSTATO / TUBO BY-PASS ALLA POMPA DELL'ACQUA)  
3901 (CARCASA DEL TERMOSTATO / TUBO DE DERIVACION A LA BOMBA DE AGUA)  
3901 (TERMOSTATHUS / OVER STROMNINGSROR TILL VATTENPUMPEN)

RE522303PCDA01 -UN-03JAN05



RE522303PCDA01

# 20-37

ENGINE

KEY	PART NO.	PART NAME	QTY.	ENGINE SERIAL NO.	A L L	REMARKS
1	19M7786	SCREW	4	-001819	X	M10 X 30
2	RE48419	SENSOR	1	-001819	X	
3	R505514	TUBE	1	-001819	X	
4	R515407	GASKET	1	-001819	X	
5	RE500576	FITTING	1	-001819	X	
6	RE522304	HOUSING	1	-001819	X	

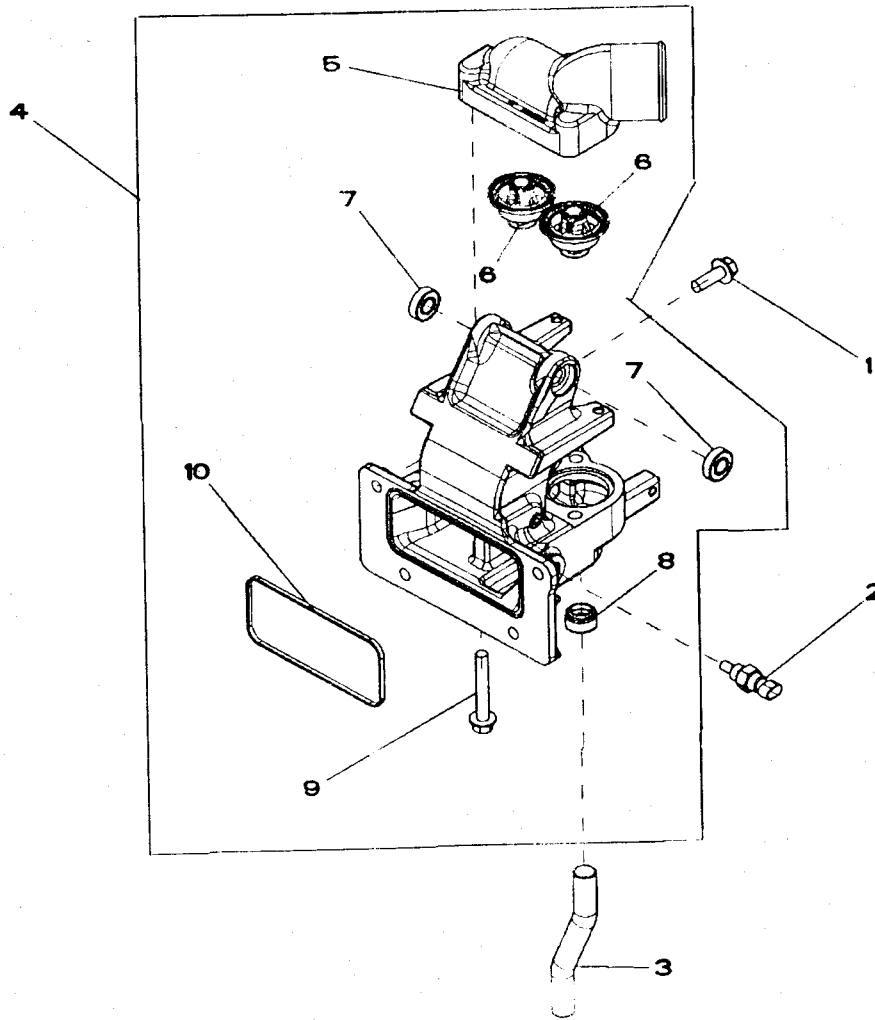
# 20-38

ENGINE

- 3901 (THERMOSTAT HOUSING / BY PASS TUBE TO WATER PUMP) (001820-)
- 3901 (BOITIER DE THERMOSTAT / TUBE DE DERIVATION A LA POMPE A EAU)
- 3901 (THERMOSTAT-GEHAEUSE / ABLEITUNGSROHR ZUR WASSERPUMPE)
- 3901 (CARCASSA TERMOSTATO / TUBO BY-PASS ALLA POMPA DELL'ACQUA)
- 3901 (CARCASA DEL TERMOSTATO / TUBO DE DERIVACION A LA BOMBA DE AGUA)
- 3901 (TERMOSTATHUS / OVER STROMNINGSROR TILL VATTENPUMPEN)

RE522303PCDB01

-UN-20JAN06



RE522303PCDB01

THIS PARTS LISTING IS CONTINUED

8130, 8230, 8330, 8430, 8530 TRACTORS PC9451 (12-APR-06) PN=110

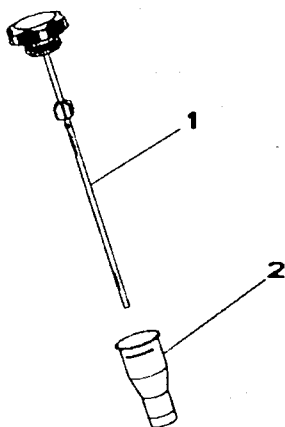
KEY	PART NO.	PART NAME	QTY.	ENGINE SERIAL NO.	A L L	REMARKS
1	19M7786	SCREW	4	001820-	X	M10 X 30
2	RE48419	SENSOR	1	001820-	X	
3	R505514	TUBE	1	001820-	X	
4	RE529970	HOUSING	1	001820-	X	
5	R523097	COVER	1	001820-	X	
6	RE528652	THERMOSTAT	2	001820-	X	
7	RE191783	BALL BEARING	2	001820-	X	
8	RE57190	SEAL	1	001820-	X	
9	19M7808	SCREW	3	001820-	X	M10 X 65
10	R515407	GASKET	1	001820-	X	

# 20-40

ENGINE

4015 (ENGINE OIL DIPSTICK TUBE) (ALL) (NO 8430 MFWD)  
 4015 (JAUGE A HUILE MOTEUR)  
 4015 (MOTOROELMESSSTAB)  
 4015 (ASTINA DE LIVELLO OLIO MOTORE)  
 4015 (ASPILLA PARA MEDIR EL NIVEL DE ACEITE DEL MOTOR)  
 4015 (MOTORNS OLJETICKA)

RE526502PCDA01 UN-04JAN05



RE526502PCDA01 3 ————

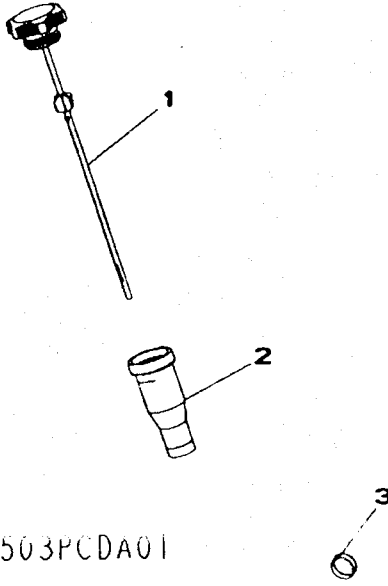
KEY	PART NO.	PART NAME	QTY.	ENGINE SERIAL NO.	A L L	REMARKS
1	RE500209	DIPSTICK	1		X	
2	R121764	DIPSTICK TUBE	1		X	
3	T35390	PLUG	1		X	

# 20-41

ENGINE

4014 (ENGINE OIL DIPSTICK) 8430 MFWD ONLY  
 4014 (JAUGE A HUILE MOTEUR)  
 4014 (MOTOROELMESSSTAB)  
 4014 (ASTINA DE LIVELLO OLIO MOTORE)  
 4014 (ASPILLA PARA MEDIR EL NIVEL DE ACEITE DEL MOTOR)  
 4014 (MOTORNIS OLJETICKA)

RE526503PCDA01 -UN-12JAN05



RE526503PCDA01

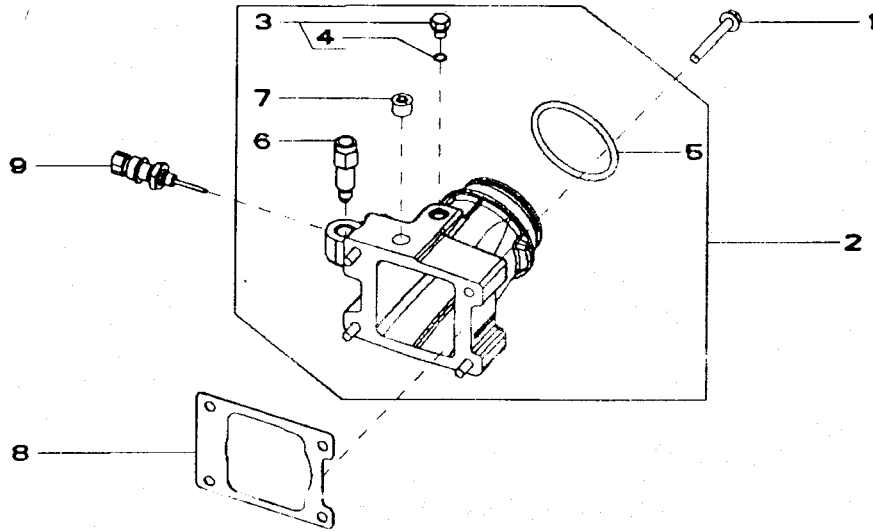
KEY	PART NO.	PART NAME	QTY.	ENGINE SERIAL NO	H R W O 4	REMARKS
1	RE500209	DIPSTICK	1		X	
2	R121765	DIPSTICK TUBE	1		X	
3	T35390	PLUG	1		X	

# 20-42

ENGINE

4398 (STARTING AID)  
4398 (AIDE AU DEMARRAGE)  
4398 (STARHILFE)  
4398 (AUSILIO DI AVVIAMENTO)  
4398 (TERMOARRANQUE)  
4398 (STARHJAEPL)

RE526355PCDC01 -UN-23FEB06



THIS PARTS LISTING IS CONTINUED

# 20-43

ENGINE

KEY	PART NO.	PART NAME	QTY.	ENGINE SERIAL NO.	A L L	REMARKS
1	19M7801	SCREW	4		X	M8 X 60, M8 X 60
2	RE529511	AIR INTAKE	1		X	
3	RE60071	FITTING	1		X	(INCLUDES 51M7039)
4	51M7039	O-RING	1		X	
5	R520928	O-RING	1		X	
6	R521500	FITTING	1		X	
7	RE501734	PIPE PLUG	1		X	(ORDER 15H666)
8	R519414	GASKET	1		X	
9	RE522823	TEMPERATURE SENSOR	1		X	

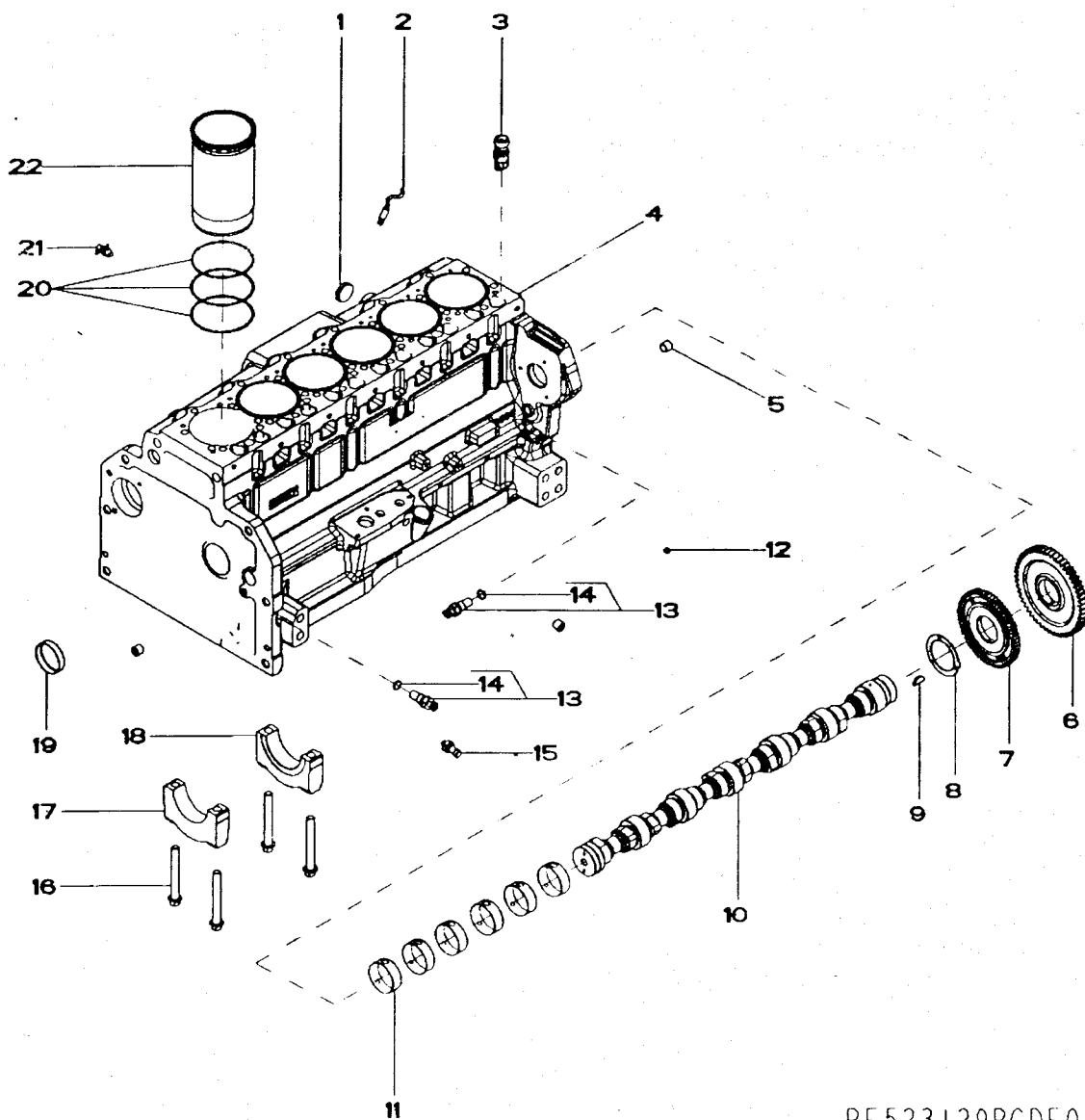


# 20-44

ENGINE

4601 (CYLINDER BLOCK)  
4601 (BLOC-CYLINDRES)  
4601 (ZYLINDERBLOCK)  
4601 (MONOBLOCCO)  
4601 (BLOQUE DE CILINDROS)  
4601 (MOTORBLOCK)

RE523129PCDE01 -UN-09MAR06



RE523129PCDE01

# 20-45

ENGINE

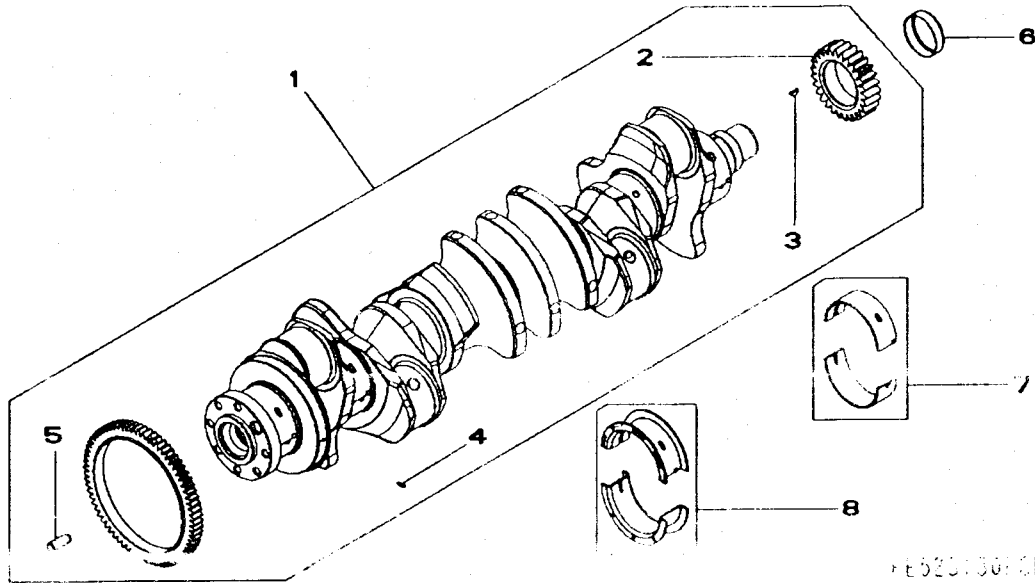
KEY	PART NO.	PART NAME	QTY.	ENGINE SERIAL NO.	A L L	REMARKS
1	R43409	PLUG	1		X	
2	RE522991	ORIFICE	6		X	
3	RE519889	CAM FOLLOWER ROLLER	12		X	
4	.....	CYLINDER BLOCK	1		X	
5	RE57836	PIPE PLUG	3		X	
6	R518212	GEAR	1		X	
7	R518255	GEAR	1		X	
8	R504811	WASHER	1		X	
9	26H91	SHAFT KEY	1		X	
10	.....	CAMSHAFT	1		X	(SERVICED IN RE531150)
11	R87561	BUSHING	6		X	
12	RE71255	PIPE PLUG	5		X	
13	RE519144	SENSOR	2		X	
14	51M7044	O-RING	1		X	
15	RE167207	PRESSURE SENSOR	1		X	
16	R519287	CAP SCREW	14		X	
17	R120953	BEARING CAP	6		X	MAIN BEARING CAP
18	R120954	BEARING CAP	1		X	THRUST BEARING CAP
19	R82007	PLUG	1		X	
20	.....	O-RING KIT	6		X	(ORDER AR98850)
21	RE56403	DRAIN VALVE	1		X	(ORDER AT 13740)
22	.....	PISTON-LINER KIT	6		X	(SERVICED IN RE531072)

# 20-46

ENGINE

- 4701 (CRANKSHAFT AND BEARINGS)
- 4701 (VILEBREQUIN / COUSSINETS)
- 4701 (KURBELWELLE / LAGER)
- 4701 (ALBERO A GOMITI / CUSCINETTO)
- 4701 (CIGUENAL / COJINETE)
- 4701 (VEVAXEL / LAGER)

RE523130PCDC01 -UN-24FEB06



RE523130PCDC01

KEY	PART NO.	PART NAME	QTY.	ENGINE SERIAL NO.	A		REMARKS
					L	L	
1	RE530668	CRANKSHAFT	1		X		
2	R104587	GEAR	1		X		
3	R120752	KEY	1		X		
4	34M7089	DOWEL PIN	1		X		
5	R41934	DOWEL PIN	1		X		
6	R32617	RETAINER	1		X		
7	R519427	BEARING	6		X		(SERVICED IN RE529319)
8	R519429	BEARING	1		X		(SERVICED IN RE529320)

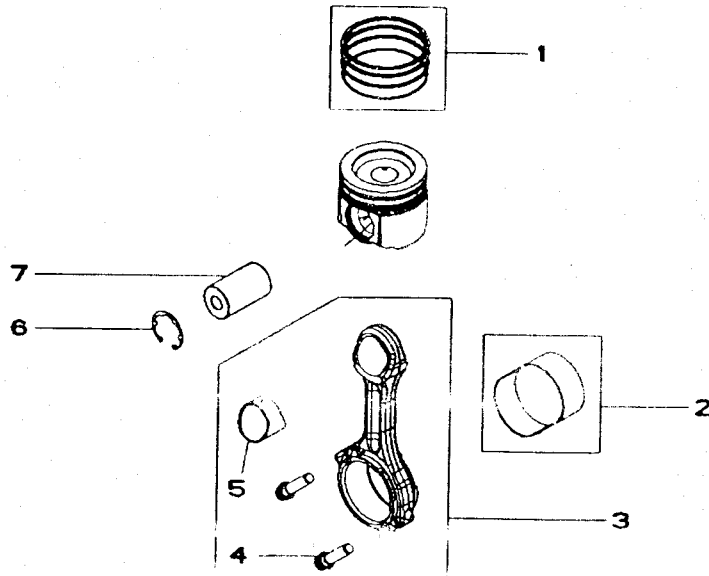
MEMORANDA  
MEMORANDA  
MEMORANDA  
MEMORANDA  
MEMORANDA  
MEMORANDA

# 20-48

ENGLISH

4801 (CONNECTING RODS AND PISTONS)  
4801 (BIELLES ET PISTONS)  
4801 (PLEUELSTANGEN UND KOLBEN)  
4801 (BIELLE E PISTONI)  
4801 (BIELA Y PISTONES)  
4801 (VEVSTAKAR OCH KOLVAR)

RE523131PCDF01 -UN-24FEB06



RE523131PCDF01

# 20-49

ENGINE

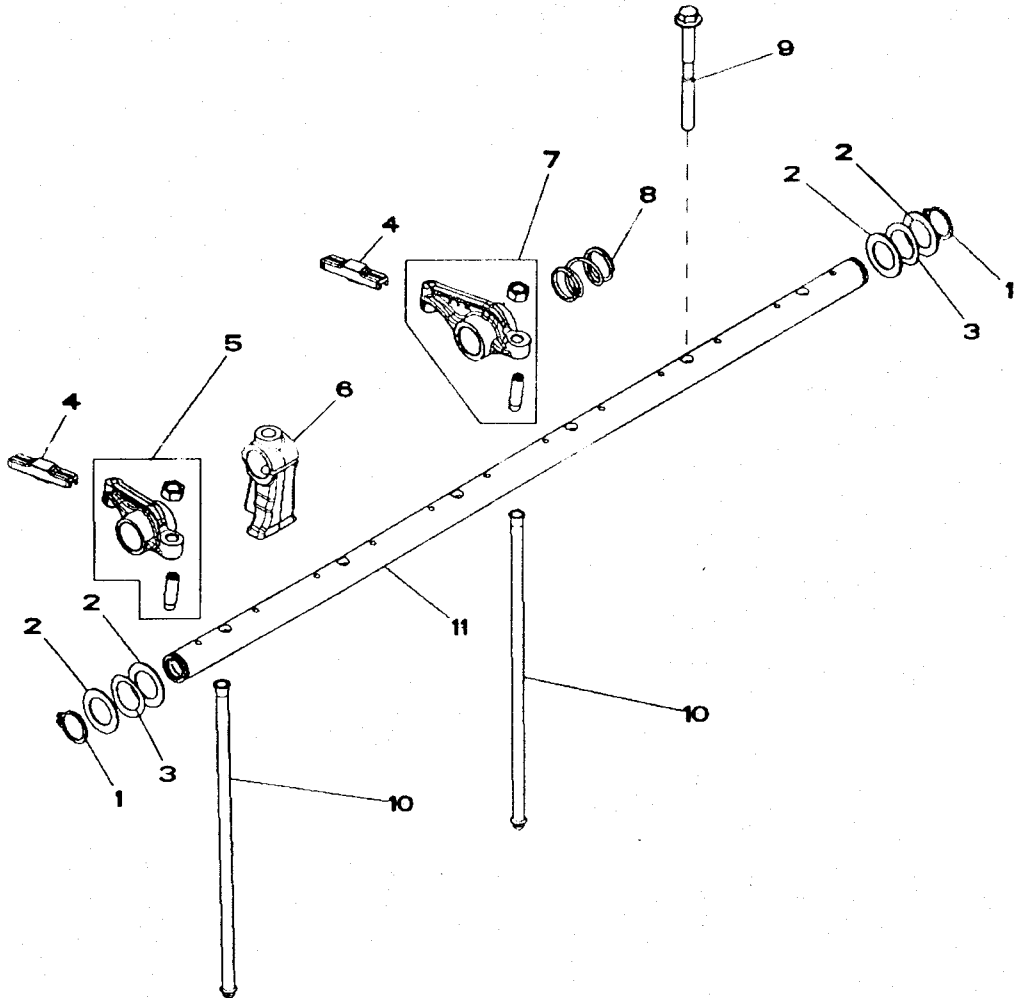
KEY	PART NO.	PART NAME	QTY.	ENGINE SERIAL NO.	A L L	REMARKS
1	RE531077	PISTON RING KIT	6		X	
2	RE529318	BEARING KIT	6		X	
3	RE517436	CONNECTING ROD	6		X	
4	R501035	CAP SCREW	1		X	PKG OF (12)
5	R71077		6		X	(ORDER R74008)
6	R519640	SNAP RING	12		X	
7	R517073	PISTON PIN	6		X	

# 20-50

ENGINE

- 4901 (VALVE ACTUATING MECHANISM)
- 4901 (CULBUTEUR / ARBRE / POUSSOIR DE SOUPE / TIGE)
- 4901 (KIPPEBEL / WELLE / VENTILSTOESSEL / STOESSELSTANGE)
- 4901 (TERGICRISTALLO / ALBERO / CEDENTE / ASTINA PUNTERIE)
- 4901 (BALANCIN / ARBOL / BOTADOR / VARILLA DE EMPUJE)
- 4901 (VIPPARM / AXEL / KAMFOELJARE / STOETSTAANG)

RE523132PCDB01 -UN-08FEB06



RE523132PCDB01

# 20-51

ENGINE

KEY	PART NO.	PART NAME	QTY.	ENGINE SERIAL NO.	A L L	REMARKS
1	40M7259	SNAP RING	2		X	
2	R521316	WASHER	4		X	
3	R35022	WASHER	2		X	
4	R519336	GUIDE	12		X	
5	RE519803	ROCKER ARM	6		X	
6	R518087	PEDESTAL	6		X	
7	RE519802	ROCKER ARM	6		X	
8	R517522	SPRING	5		X	
9	R521261	CAP SCREW	6		X	
10	R85027	PUSH ROD	12		X	
11	RE519810	ROCKER ARM SHAFT	1		X	

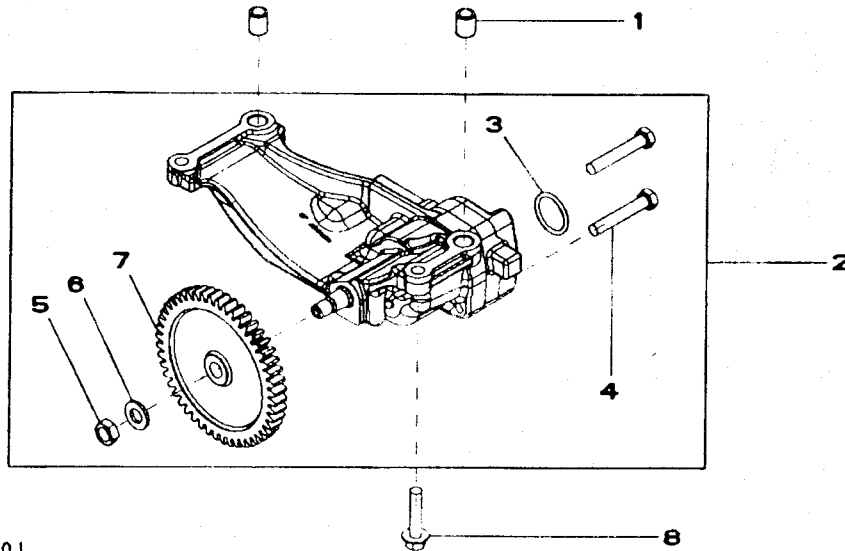


# 20-52

ENGINE

5001 (OIL PUMP)  
 5001 (POMPE A HUILE)  
 5001 (OELPUMPE)  
 5001 (POMPA DELL'OLIO)  
 5001 (BOMBA DE ACEITE)  
 5001 (OLJEPUMP)

RE523133PCDB01 -UN-27FEB06



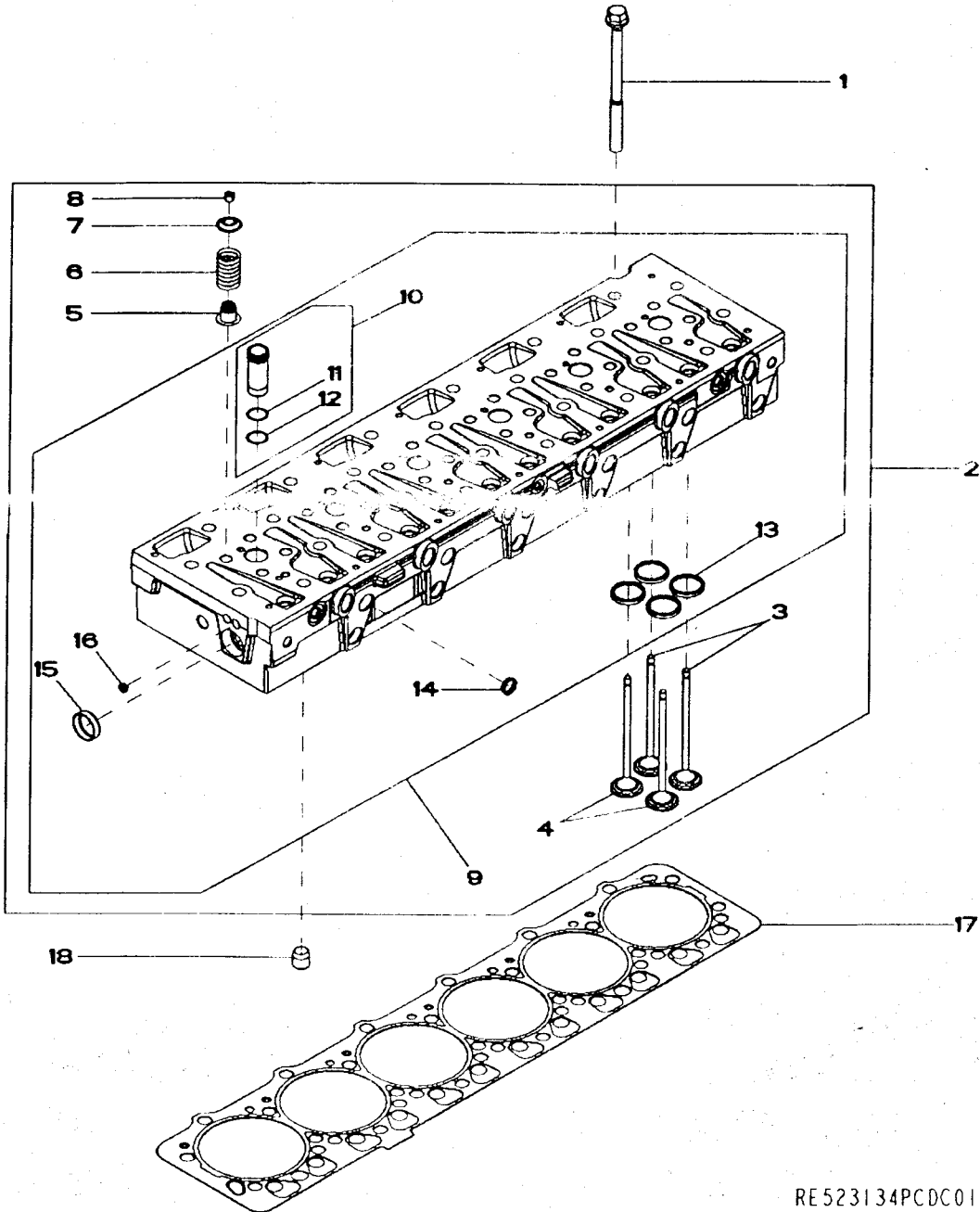
RE523133PCDB01

KEY	PART NO.	PART NAME	QTY.	ENGINE SERIAL NO.	A L L	REMARKS
1	R500642	DOWEL PIN	2		X	
2	RE519513	OIL PUMP	1		X	
3	R71732	O-RING	1		X	31.344 X 3.531 MM
4	19M9399	CAP SCREW	2		X	M10 X 60, M10 X 60
5	14H826	NUT	1		X	12.700 MM
6	T21242	WASHER	1		X	
7	R502773	GEAR	1		X	
8	19M9766	SCREW	4		X	M10 X 45

MEMORANDA  
MEMORANDA  
MEMORANDA  
MEMORANDA  
MEMORANDA

- 5101 (CYLINDER HEAD WITH VALVES)
- 5101 (CULASSE)
- 5101 (ZYLINDERKOPF)
- 5101 (TESTATA DEL MOTORE)
- 5101 (CULATA)
- 5101 (CYLINDERTOPLOCK)

RE523134PCDC01 -UN-27FEB06



RE 5231 34PCDC01

# 20-55

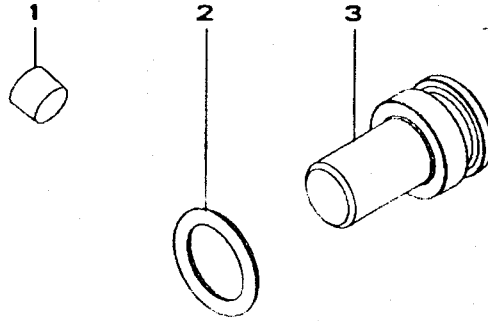
ENGINE

KEY	PART NO.	PART NAME	QTY.	ENGINE SERIAL NO	A L L	REMARKS
1	R121322	SCREW	26		X	
2	RE523680		1		X	
3	R520224	EXHAUST VALVE	12		X	
4	R520223	INTAKE VALVE	12		X	
5	RE529187	SEAL	24		X	
6	R504235	SPRING	24		X	
7	R518233	RETAINER	24		X	
8	R520798	RETAINER	48		X	
9	RE520142	CYLINDER HEAD	1		X	
10	RE517435	SLEEVE	6		X	
11	RE530609	O-RING	1		X	
12	RE528349	O-RING	1		X	
13	R522049	VALVE SEAT INSERT	24		X	
14	30M5581	PLUG	17		X	
15	T13519	PLUG	1		X	
16	30M7029	PLUG	3		X	
17	R504829	ENGINE CYLINDER HEAD GASKET	1		X	
18	R42340	BUSHING	2		X	

# 20-56

ENGINE

5299 (AUXILIARY DRIVE)  
 5299 (ENTRAINEMENT AUXILIAIRE)  
 5299 (ZUSATZANTRIEB)  
 5299 (COMANDO AUSILIARIO)  
 5299 (TRANSMISION ADICIONAL)  
 5299 (HJAELPDRIFT)  
 RE525552PCDC01 -UN-27FEB06



RE525552PCDC01

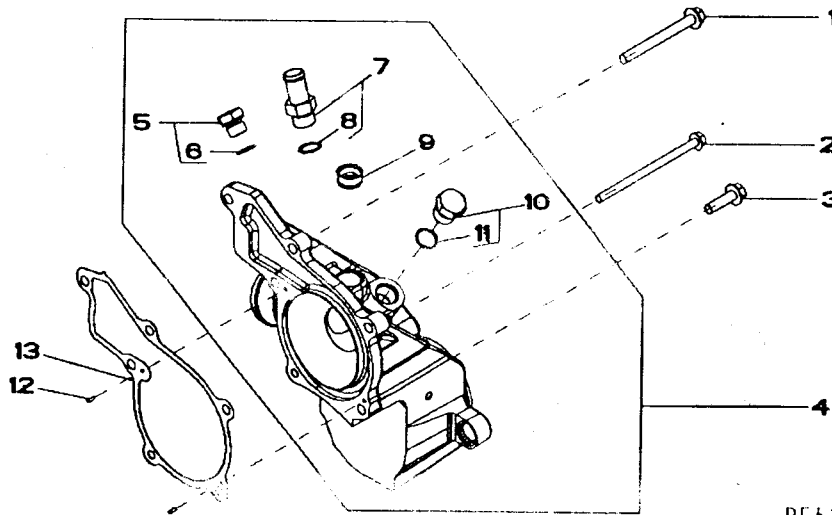
KEY	PART NO.	PART NAME	QTY.	ENGINE SERIAL NO.	A L L	REMARKS
1	RE71255	PIPE PLUG	1		X	
2	R522412	O-RING	1		X	
3	R128670	CAP SCREW	1		X	

# 20-57

ENGINE

5702 (WATER PUMP INLET)  
 5702 (ENTREE DE LA POMPE A EAU)  
 5702 (WASSERPUMPENEINLASS)  
 5702 (INGRESSO POMPA ACQUA)  
 5702 (ENTRADA DE BOMBA DE AGUA)  
 5702 (VATTENPUMPSINLOPP)

RE522760PCDC01 -UN-28FEB06

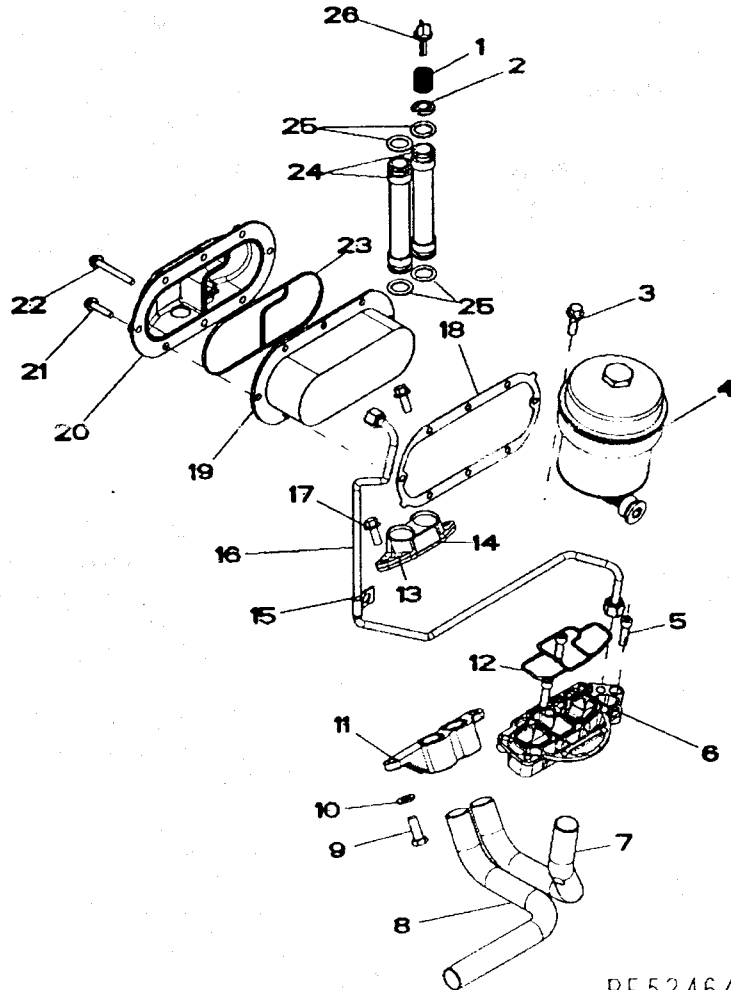


RE522760PCDC01

KEY	PART NO.	PART NAME	QTY	ENGINE SERIAL NO	A L I	REMARKS
1	19M7812	SCREW	3		X	M10 X 100, M10 X 100
2	19M8125	SCREW	1		X	M8 X 140
3	19M7835	SCREW	2		X	M10 X 35
4	RE529632	COVER	1		X	
5	RE46685	PLUG	1		X	
6	51M7043	O-RING	1		X	
7	RE223627	HOSE FITTING	1		X	
8	51M7045	O-RING	1		X	19.300 X 2.200 MM
9	RE57190	SEAL	1		X	
10	RE46687	DRAIN PLUG	1		X	
11	51M7045	O-RING	1		X	
12	R11086	DOWEL PIN	2		X	
13	R504885	GASKET	1		X	

5902 (OIL COOLER AND FILTER )  
 5902(REFROIDISSEUR D'HUILE)  
 5902 (OELKUEHLER)  
 5902 (RADIATORE DELL'OLIO)  
 5902 (REFRIGERADOR DE ACEITE)  
 5902 (OLJEKYLARE)

RE524647PCDA01 -UN-20MAY05



RE524647PCDA01

THIS PARTS LISTING IS CONTINUED

# 20-59

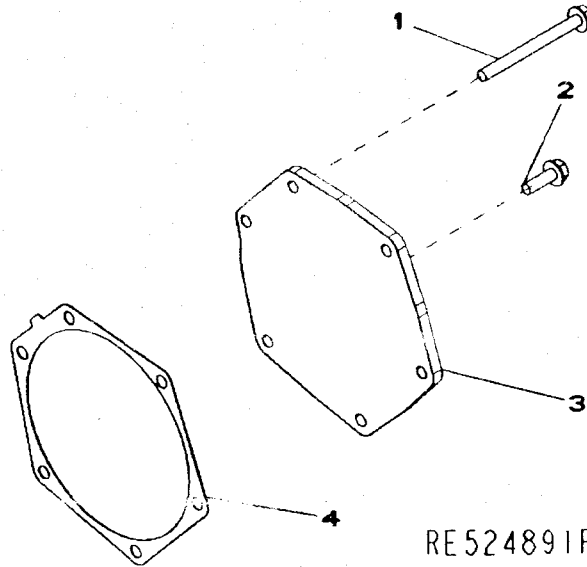
ENGINE

KEY	PART NO.	PART NAME	QTY.	ENGINE SERIAL NO	A L L	REMARKS
1	R98064	SPRING	1		X	
2	R504670	RETAINER	1		X	
3	19M7835	SCREW	4		X	M10 X 35
4	RE505743	FILTER	1		X	
	RE509672	FILTER ELEMENT	1		X	
5	R521449	CAP SCREW	3		X	
6	RE520538	ADAPTER FITTING	1		X	
7	R518376	OIL TUBE	1		X	
8	R116718	OIL TUBE	1		X	
9	19M8011	CAP SCREW	2		X	M12 X 30
10	24M7240	WASHER	2		X	13 X 25 X 3 MM
11	RE524007	ADAPTER FITTING	1		X	
12	RE516171	SEAL KIT	2		X	
13	R504669	SEAL	2		X	
14	R518353	ADAPTER FITTING	1		X	
15	AH76883	CLIP	1		X	
16	RE522807	LINE	1		X	
17	19M7785	SCREW	2		X	M10 X 25
18	AR58952	GASKET	1		X	
19	AR55394	OIL COOLER	1		X	
20	R504289	COVER	1		X	
21	19M7897	SCREW	7		X	M8 X 35
22	19M7802	SCREW	1		X	M8 X 65
23	R504668	SEAL	1		X	
24	RE515781	OIL TUBE	2		X	
25	R518804	PACKING	4		X	
26	R500055	VALVE	1		X	



6293 (ALTERNATOR MOUNTING)  
 6293 (SUPPORT DE L'ALTERNATEUR)  
 6293 (HALTER FUER DREHSTROMGENERATOR)  
 6293 (COMANDO AUSILIARIO)  
 6293 (SOPORTE DEL ALTERNADOR)  
 6293 (FAESTE FOER VAEXELSTROEMSGENERATOR)

RE524891PCDA01 -UN-04JAN05



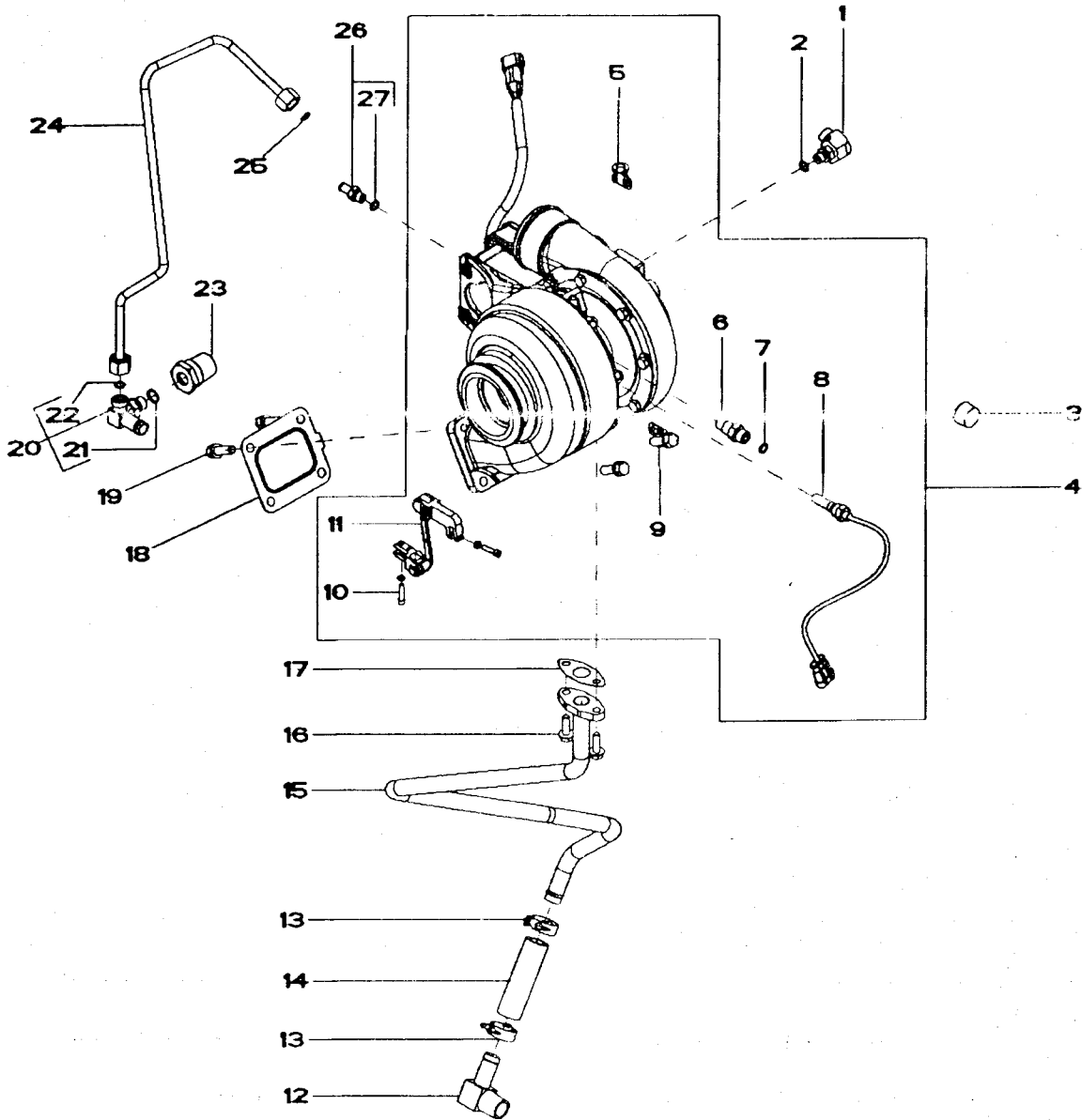
RE524891PCDA01

KEY	PART NO.	PART NAME	QTY.	ENGINE SERIAL NO.	A L L	REMARKS
1	19M7913	SCREW	5		X	M8 X 90
2	19M7867	SCREW	1		X	M8 X 25
3	R520135	COVER	1		X	
4	R502011	GASKET	1		X	

MEMORANDA  
MEMORANDA  
MEMORANDA  
MEMORANDA  
MEMORANDA  
MEMORANDA

6501 (TURBOCHARGER) 8130 MFWO AND 8130 2 WD  
 6501 (TURBOCOMPRESSEUR)  
 6501 (TURBOLADER)  
 6501 (TURBO-SOVRALIMENTATORE)  
 6501 (TURBOCARGADOR)  
 6501 (TURBOAGGREGAT)

RE522299PCDC02 -UN-02MAR06

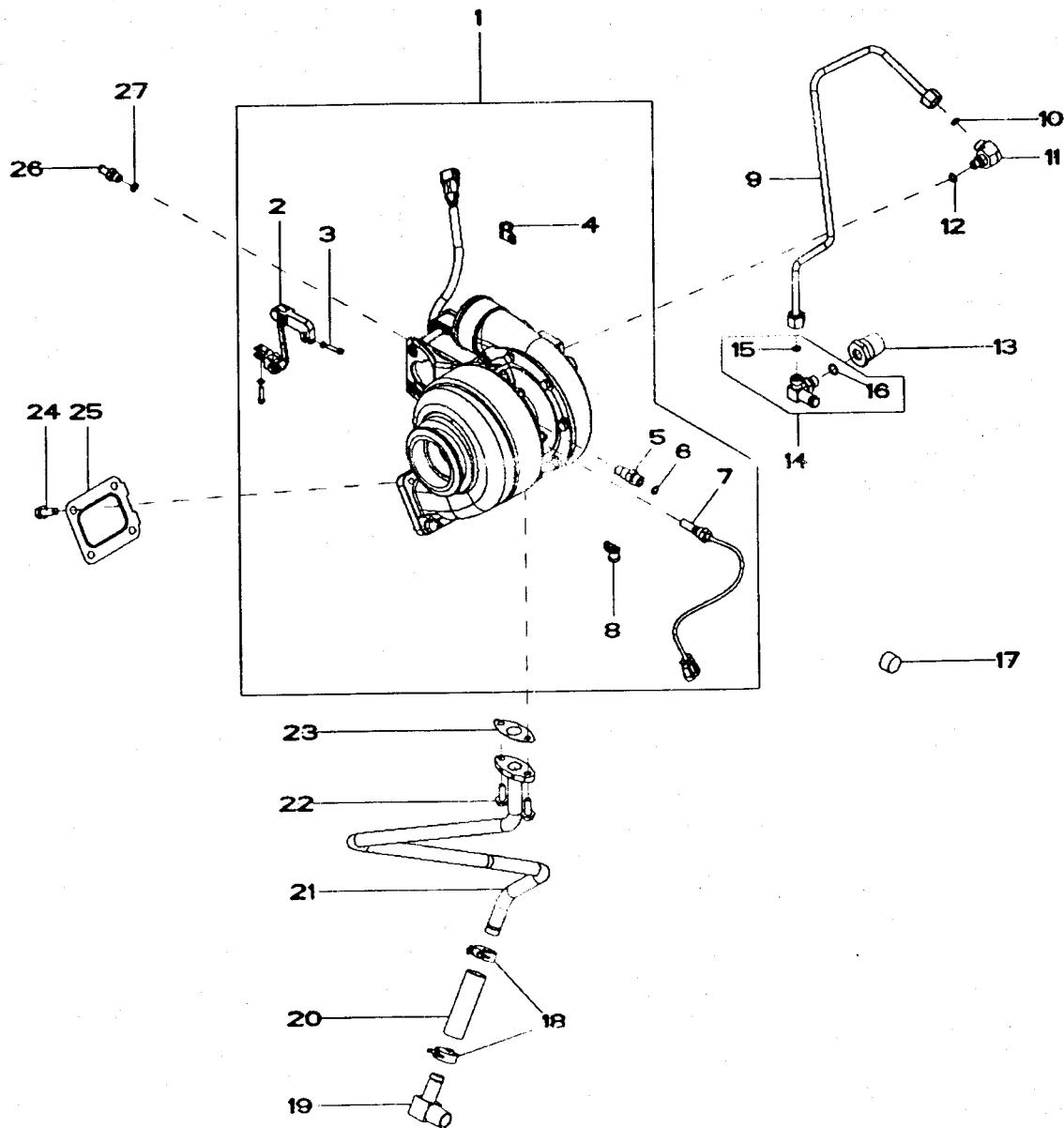


RE522299PCDC02

KEY	PART NO.	PART NAME	QTY.	ENGINE SERIAL NO.	H R W O 1	REMARKS
1	38H5022	ELBOW FITTING	1		X	
2	51M7040	O-RING	1		X	
3	15H690	PIPE PLUG	1		X	
4	RE529977	TURBOCHARGER	1		X	
5	R521407	CLAMP	1		X	
6	RE524231	FITTING	1		X	
7	R63548	O-RING	1		X	
8	RE530046	SENSOR	1		X	
9	R521406	CLAMP	1		X	
10	RE528219	SCREW WITH WASHER	1		X	
11	RE523822	LINKAGE	1		X	
12	H63773	THREADED NIPPLE	1		X	
13	RE526400	HOSE CLAMP	2		X	
14	R115138	HOSE	1		X	MAKE FROM BULK HOSE R120013
15	RE522780	OIL LINE	1		X	
16	N275830	SCREW	2		X	
17	R521158	GASKET	1		X	
18	R92097	GASKET	1		X	
19	R520121	CAP SCREW	4		X	
20	RE524196	FITTING	1		X	
21	51M7042	O-RING	1		X	
22	T77613	O-RING	1		X	
23	RE524055	ADAPTER FITTING	1		X	
24	RE522804	LINE	1		X	
25	T77613	O-RING	1		X	
26	RE500576	FITTING	1		X	
27	51M7040	O-RING	1		X	

6512 (TURBOCHARGER) 8230MFWD AND 8330 MFWD  
6512 (TURBOCOMPRESSEUR)  
6512 (TURBOLADER)  
6512 (TURBO-SOVRALIMENTATORE)  
6512 (TURBOCARGADOR)  
6512 (TURBOAGGREGAT)

RE524927PCDC01 -UN-03MAR06



RE524927PCDC01

THIS PARTS LISTING IS CONTINUED

8130, 8230, 8330, 8430, 8530 TRACTORS PC9451 (12-APR-06) PN=136

# 20-65

ENGINE

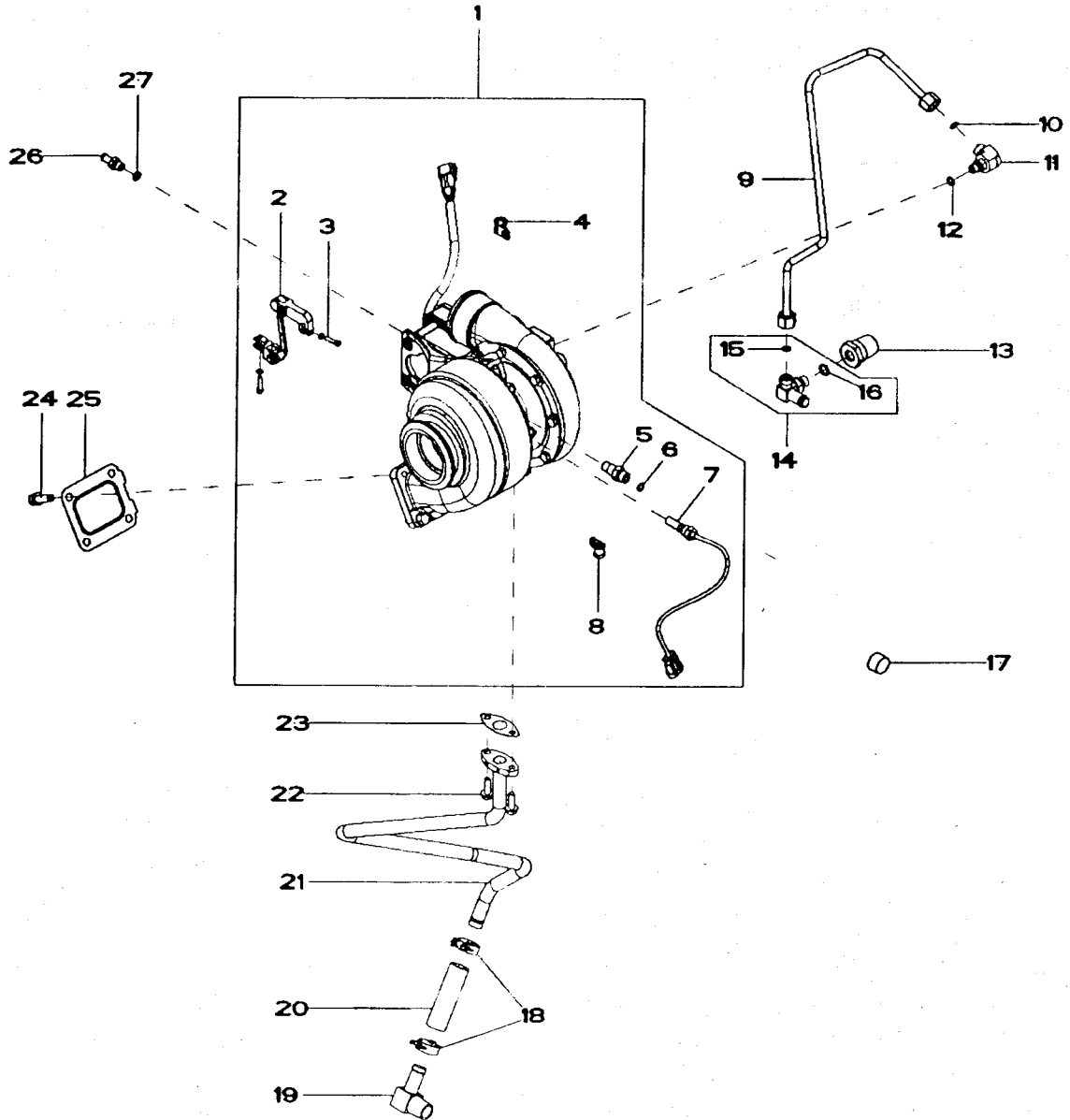
KEY	PART NO.	PART NAME	QTY.	ENGINE SERIAL NO.	H R W O 2	REMARKS
1	RE529978	TURBOCHARGER	1		X	
2	RE523822	LINKAGE	1		X	
3	RE528219	SCREW WITH WASHER	2		X	
4	R521407	CLAMP	1		X	
5	RE524231	FITTING	1		X	
6	R63548	O-RING	1		X	
7	RE530046	SENSOR	1		X	
8	R521406	CLAMP	1		X	
9	RE522804	LINE	1		X	
10	T77613	O-RING	1		X	
11	38H5022	ELBOW FITTING	1		X	
12	51M7040	O-RING	1		X	
13	RE524055	ADAPTER FITTING	1		X	
14	RE524196	FITTING	1		X	
16	51M7042	O-RING	1		X	
17	15H690	PIPE PLUG	1		X	
18	RE526400	HOSE CLAMP	2		X	
19	H63773	THREADED NIPPLE	1		X	
20	R115138	HOSE	1		X	MAKE FROM BULK HOSE R120013
21	RE522780	OIL LINE	1		X	
22	N275830	SCREW	2		X	
23	R521158	GASKET	1		X	
24	R520121	CAP SCREW	4		X	
25	R92097	GASKET	1		X	
26	RE500576	FITTING	1		X	
27	51M7040	O-RING	1		X	

# 20-66

ENGINE

6512 (TURBOCHARGER) 8430 MFWD  
6512 (TURBOCOMPRESSEUR)  
6512 (TURBOLADER)  
6512 (TURBO-SOVRALIMENTATORE)  
6512 (TURBOCARGADOR)  
6512 (TURBOAGGREGAT)

RE524927PCDC01 -UN-03MAR06



RE524927PCDC01

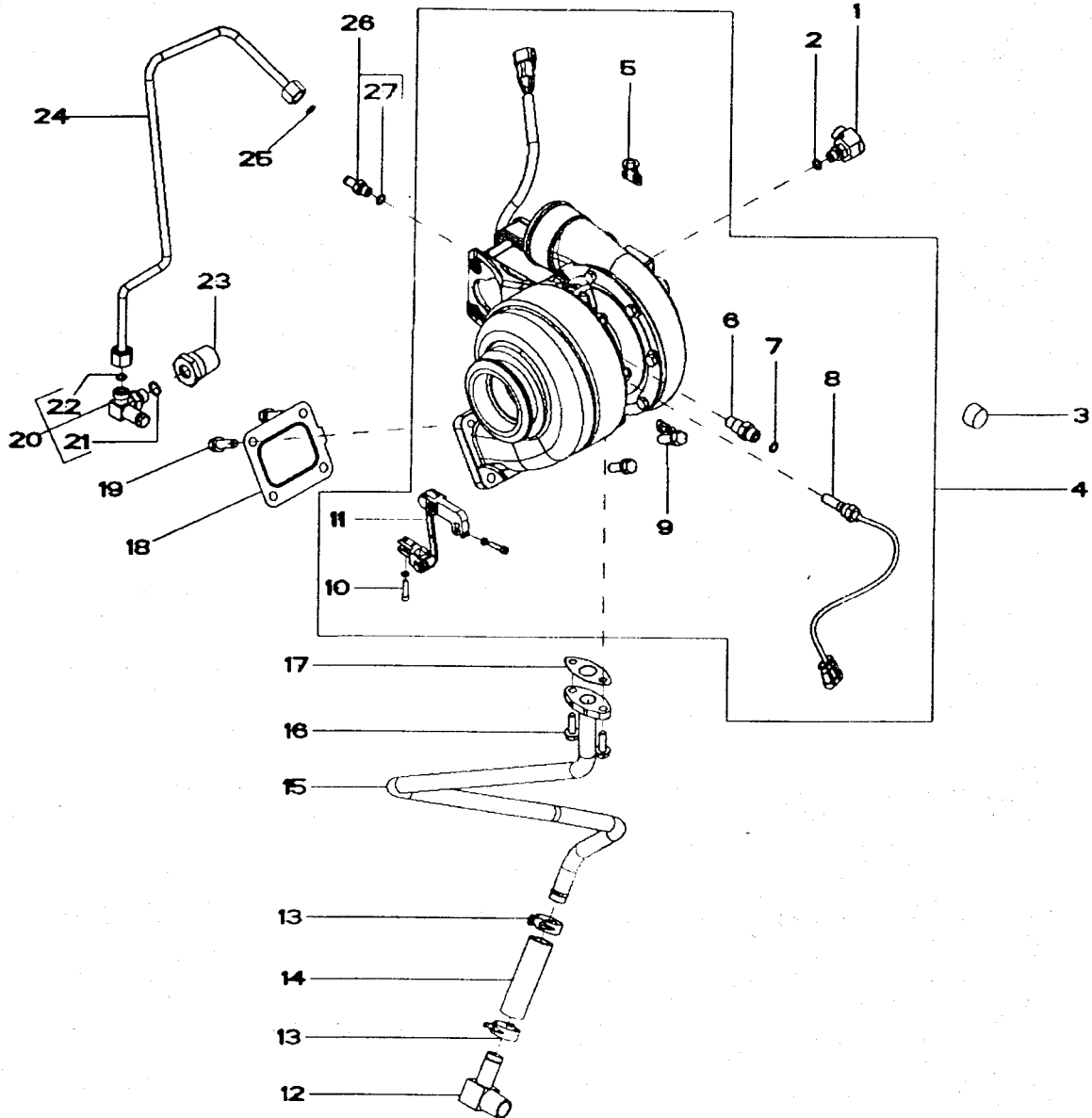
THIS PARTS LISTING IS CONTINUED

KEY	PART NO.	PART NAME	QTY.	ENGINE SERIAL NO.	H R W O 4	REMARKS
1	RE529978	TURBOCHARGER	1		X	
2	RE523822	LINKAGE	1		X	
3	RE528219	SCREW WITH WASHER	2		X	
4	R521407	CLAMP	1		X	
5	RE524231	FITTING	1		X	
6	R63548	O-RING	1		X	
7	RE530046	SENSOR	1		X	
8	R521406	CLAMP	1		X	
9	RE522804	LINE	1		X	
10	T77613	O-RING	1		X	
11	38H5022	ELBOW FITTING	1		X	
12	51M7040	O-RING	1		X	
13	RE524055	ADAPTER FITTING	1		X	
14	RE524196	FITTING	1		X	
16	51M7042	O-RING	1		X	
17	15H690	PIPE PLUG	1		X	
18	RE526400	HOSE CLAMP	2		X	
19	H63773	THREADED NIPPLE	1		X	
20	R115138	HOSE	1		X	MAKE FROM BULK HOSE R120013
21	RE522780	OIL LINE	1		X	
22	N275830	SCREW	2		X	
23	R521158	GASKET	1		X	
24	R520121	CAP SCREW	4		X	
25	R92097	GASKET	1		X	
26	RE500576	FITTING	1		X	
27	51M7040	O-RING	1		X	



6501 (TURBOCHARGER) 8130 ILS  
6501 (TURBOCOMPRESSEUR)  
6501 (TURBOLADER)  
6501 (TURBO-SOVRALIMENTATORE)  
6501 (TURBOCARGADOR)  
6501 (TURBOAGGREGAT)

RE522299PCDC02 -UN-02MAR06

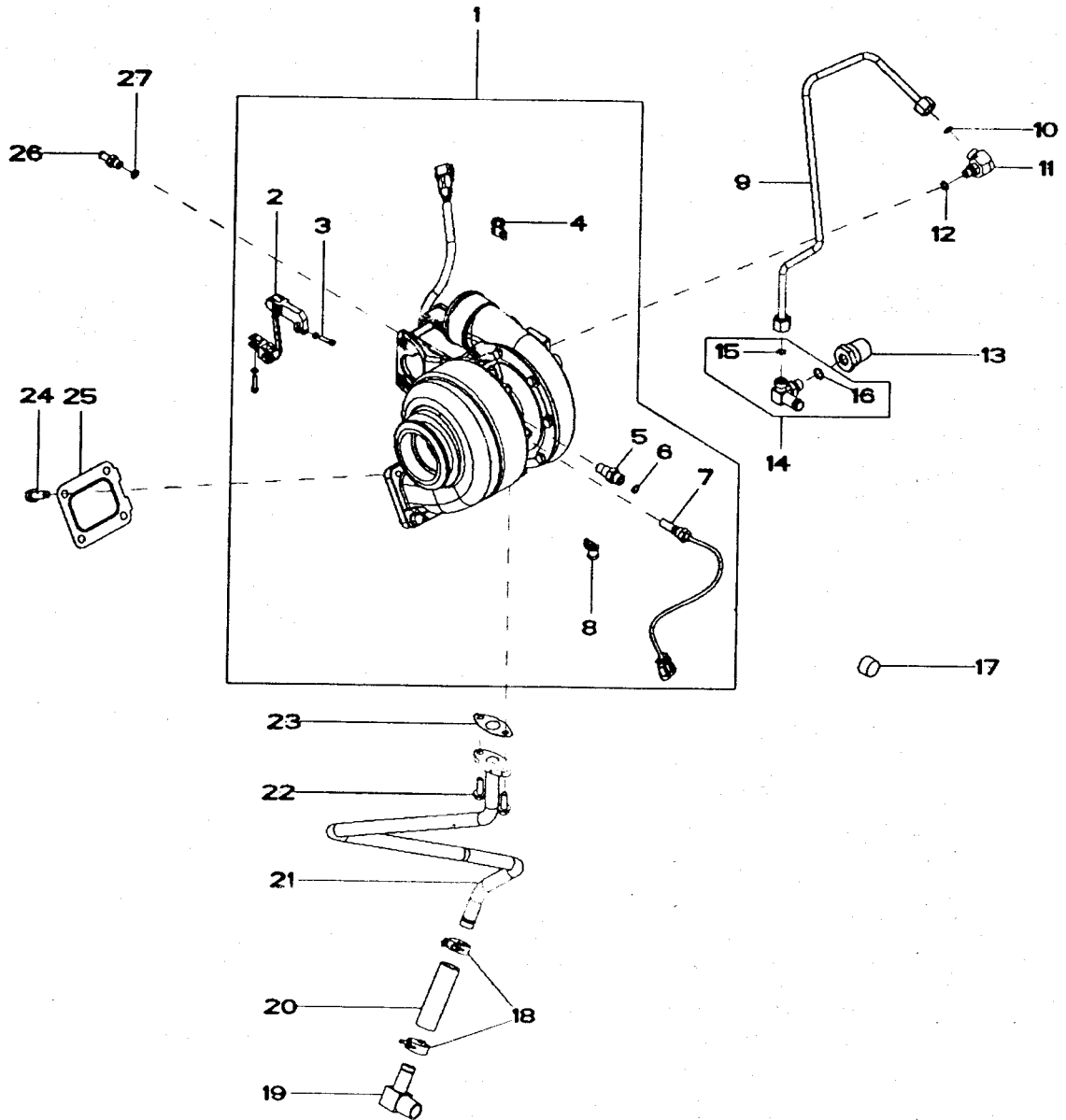


RE522299PCDC02

KEY	PART NO.	PART NAME	QTY.	ENGINE SERIAL NO.	H R W O S	REMARKS
1	38H5022	ELBOW FITTING	1		X	
2	51M7040	O-RING	1		X	
3	15H690	PIPE PLUG	1		X	
4	RE529977	TURBOCHARGER	1		X	
5	R521407	CLAMP	1		X	
6	RE524231	FITTING	1		X	
7	R63548	O-RING	1		X	
8	RE530046	SENSOR	1		X	
9	R521406	CLAMP	1		X	
10	RE528219	SCREW WITH WASHER	1		X	
11	RE523822	LINKAGE	1		X	
12	H63773	THREADED NIPPLE	1		X	
13	RE526400	HOSE CLAMP	2		X	
14	R115138	HOSE	1		X	MAKE FROM BULK HOSE R120013
15	RE522780	OIL LINE	1		X	
16	N275830	SCREW	2		X	
17	R521158	GASKET	1		X	
18	R92097	GASKET	1		X	
19	R520121	CAP SCREW	4		X	
20	RE524196	FITTING	1		X	
21	51M7042	O-RING	1		X	
22	T77613	O-RING	1		X	
23	RE524055	ADAPTER FITTING	1		X	
24	RE522804	LINE	1		X	
25	T77613	O-RING	1		X	
26	RE500576	FITTING	1		X	
27	51M7040	O-RING	1		X	

6512 (TURBOCHARGER) 8230 ILS & 8330 ILS  
6512 (TURBOCOMPRESSEUR)  
6512 (TURBOLADER)  
6512 (TURBO-SOVRALIMENTATORE)  
6512 (TURBOCARGADOR)  
6512 (TURBOAGGREGAT)

RE524927PCDC01 -UN-03MAR06



RE524927PCDC01

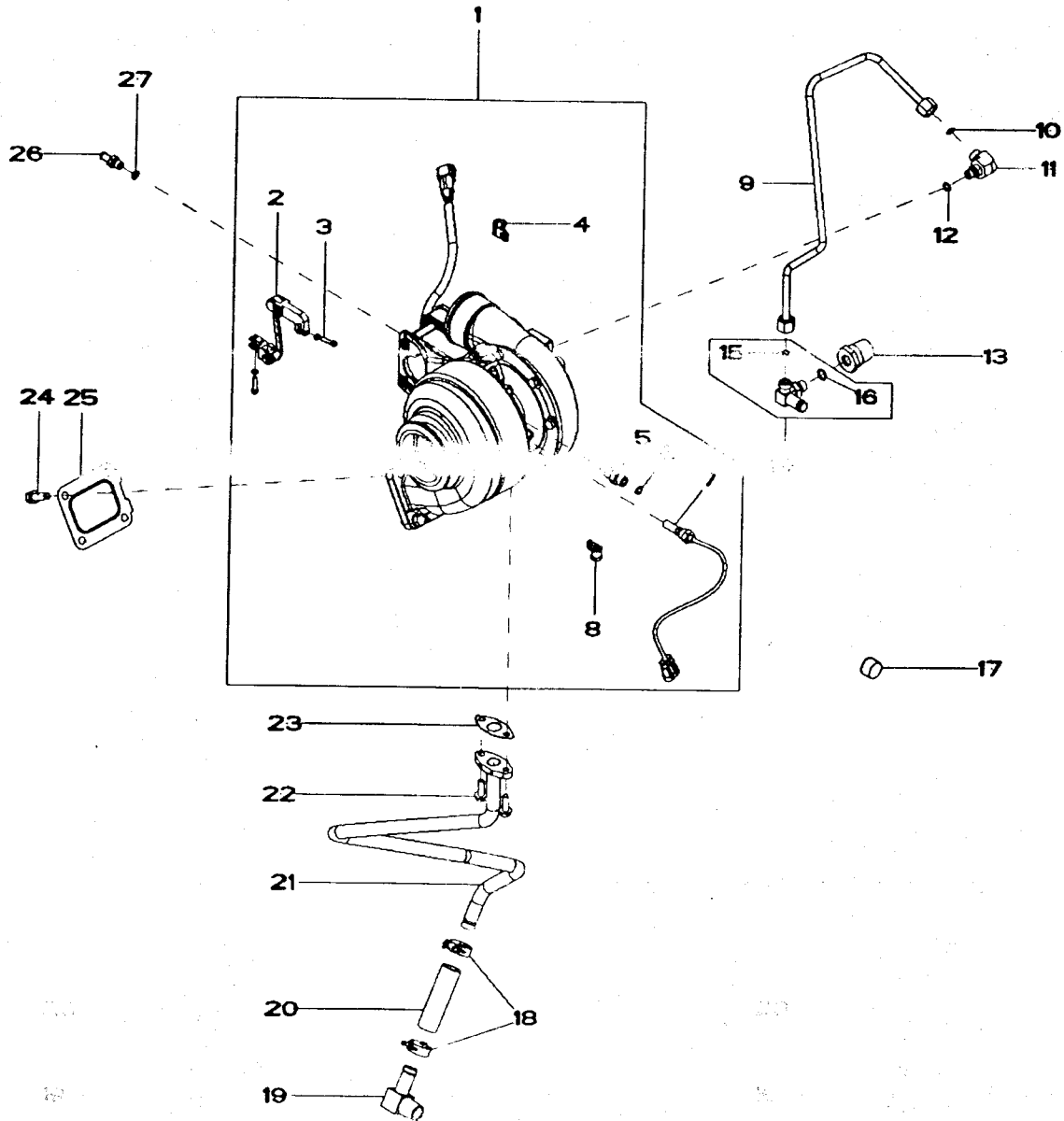
# 20-71

ENGINE

KEY	PART NO.	PART NAME	QTY.	ENGINE SERIAL NO.	H R W O 6	REMARKS
1	RE529978	TURBOCHARGER	1		X	
2	RE523822	LINKAGE	1		X	
3	RE528219	SCREW WITH WASHER	2		X	
4	R521407	CLAMP	1		X	
5	RE524231	FITTING	1		X	
6	R63548	O-RING	1		X	
7	RE530046	SENSOR	1		X	
8	R521406	CLAMP	1		X	
9	RE522804	LINE	1		X	
10	T77613	O-RING	1		X	
11	38H5022	ELBOW FITTING	1		X	
12	51M7040	O-RING	1		X	
13	RE524055	ADAPTER FITTING	1		X	
14	RE524196	FITTING	1		X	
16	51M7042	O-RING	1		X	
17	15H690	PIPE PLUG	1		X	
18	RE526400	HOSE CLAMP	2		X	
19	H63773	THREADED NIPPLE	1		X	
20	R115138	HOSE	1		X	MAKE FROM BULK HOSE R120013
21	RE522780	OIL LINE	1		X	
22	N275830	SCREW	2		X	
23	R521158	GASKET	1		X	
24	R520121	CAP SCREW	4		X	
25	R92097	GASKET	1		X	
26	RE500576	FITTING	1		X	
27	51M7040	O-RING	1		X	

6512 (TURBOCHARGER) 8430 ILS & 8530 ILS  
6512 (TURBOCOMPRESSEUR)  
6512 (TURBOLADER)  
6512 (TURBO-SOVRALIMENTATORE)  
6512 (TURBOCARGADOR)  
6512 (TURBOAGGREGAT)

RE524927PCDC01 -UN-03MAR06



RE524927PCDC01

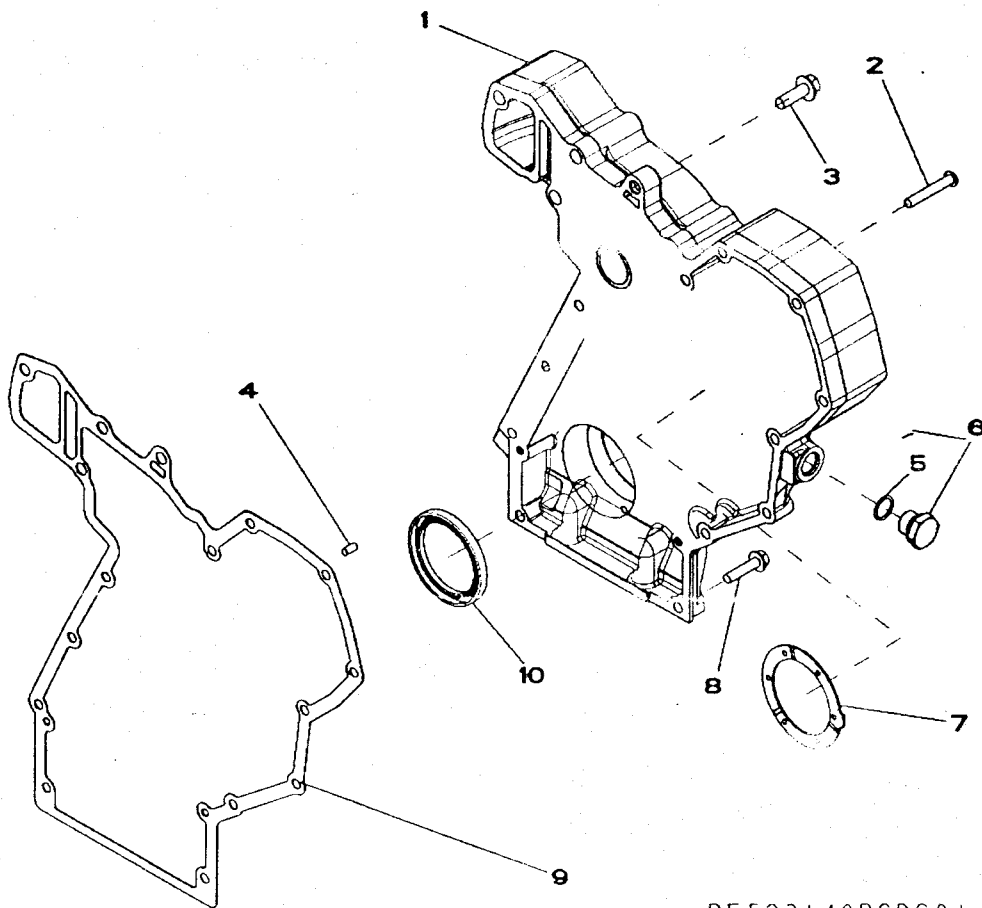
KEY	PART NO.	PART NAME	QTY.	ENGINE SERIAL NO.	H R W O 8	REMARKS
1	RE529978	TURBOCHARGER	1		X	
2	RE523822	LINKAGE	1		X	
3	RE528219	SCREW WITH WASHER	2		X	
4	R521407	CLAMP	1		X	
5	RE524231	FITTING	1		X	
6	R63548	O-RING	1		X	
7	RE530046	SENSOR	1		X	
8	R521406	CLAMP	1		X	
9	RE522804	LINE	1		X	
10	T77613	O-RING	1		X	
11	38H5022	ELBOW FITTING	1		X	
12	51M7040	O-RING	1		X	
13	RE524055	ADAPTER FITTING	1		X	
14	RE524196	FITTING	1		X	
16	51M7042	O-RING	1		X	
17	15H690	PIPE PLUG	1		X	
18	RE526400	HOSE CLAMP	2		X	
19	H63773	THREADED NIPPLE	1		X	
20	R115128	HOSE	1		X	MAKE FROM BULK HOSE R120013
21	RE522780	OIL LINE	1		X	
22	N275830	SCREW	2		X	
23	R521158	GASKET	1		X	
24	R520121	CAP SCREW	4		X	
25	R92097	GASKET	1		X	
26	RE500576	FITTING	1		X	
27	R511511	O-RING	1		X	

# 20-74

ENGINE

7701 (TIMING GEAR COVER)  
7701 (COUVERCLE DE DISTRIBUTION)  
7701 (STEUERGEHAEUSE)  
7701 (COPERCHIO DISTRIBUZIONE)  
7701 (TAPA DE LA DISTRIBUCION)  
7701 (TIDHJULSKAPA)

RE523149PCDC01 -UN-08FEB06



RE523149PCDC01

THIS PARTS LISTING IS CONTINUED

# 20-75

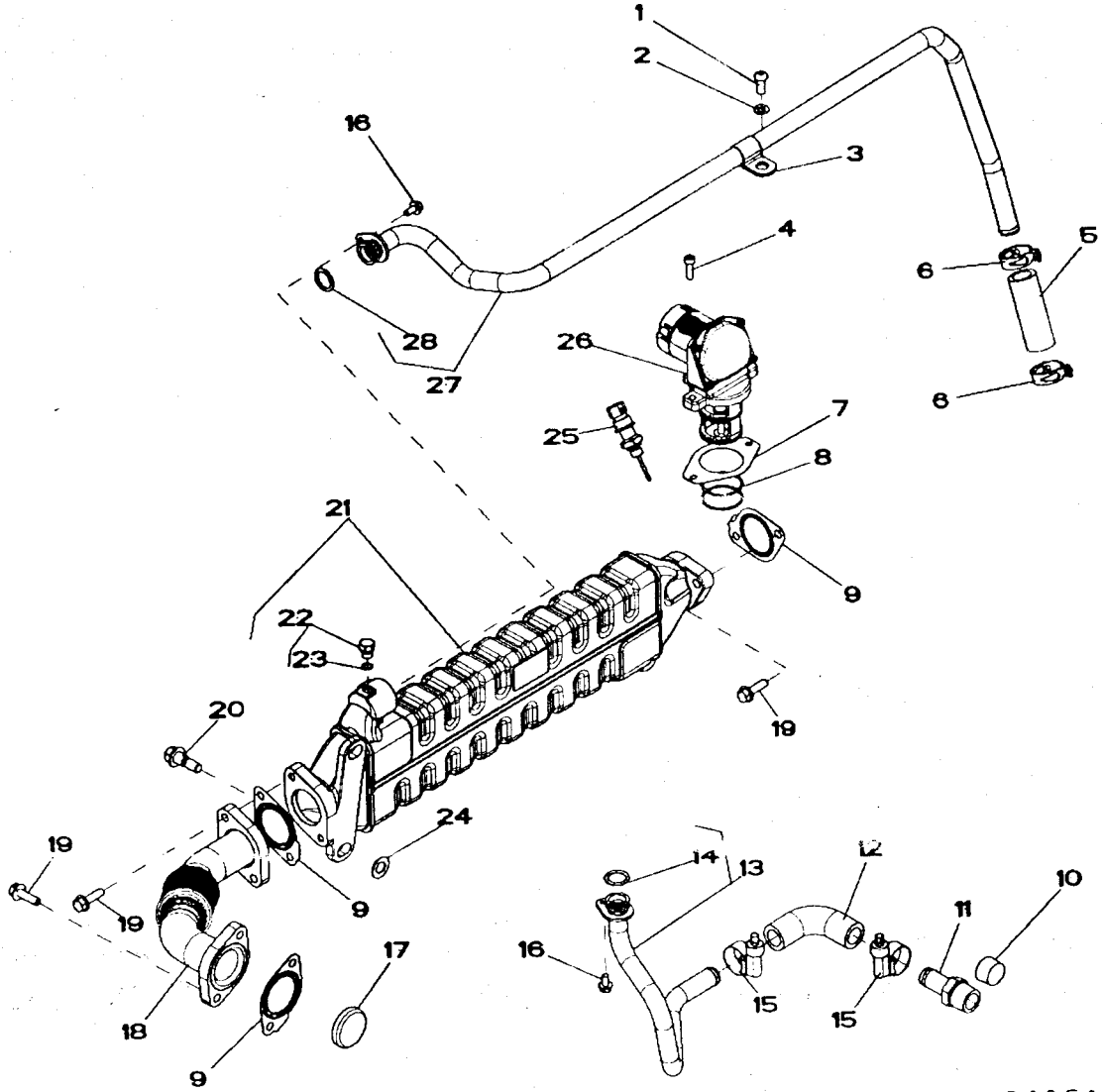
ENGINE

KEY	PART NO.	PART NAME	QTY.	ENGINE SERIAL NO.	A	REMARKS
					L	
1	R518319	COVER	1		X	
2	21M7473	SCREW	3		X	
3	19M7786	SCREW	1		X	M10 X 30
4	F1743R	DOWEL PIN	2		X	
5	51M7044	O-RING	1		X	17.300 X 2.200 MM
6	RE517370	FITTING	1		X	
7	R504811	WASHER	1		X	
8	19M8291	SCREW	3		X	M8 X 35
9	R119384	GASKET	1		X	
10	AR49025	SEAL	1		X	



8901 (EXHAUST GAS RECIRCULATION (EGR))  
8901 (RECIRCULATION DES GAZ D'ECHAPPEMENT (EGR))  
8901 (ABGASRUECKFUHRUNG (EGR))  
8901 (RICIRCOLAZIONE GAS DI SCARICO (EGR))  
8901 (RECIRCULACION DEL GAS DE ESCAPE (EGR))  
8901 (AVGASAATERCIRKULERING (EGR))

RE522301PCDE01 -UN-27FEB06



RE522301PCDE01

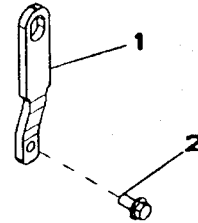
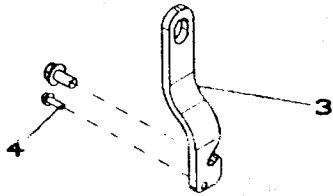
# 20-77

ENGINE

KEY	PART NO.	PART NAME	QTY.	ENGINE SERIAL NO.	A	REMARKS
					L	
1	R189346	SCREW	1		X	
2	24M7055	WASHER	1		X	8.400 X 16 X 1.600 MM
3	H26065	CLIP	1		X	
4	19M8627	SCREW	2		X	M6 X 20
5	R129607	HOSE	1		X	
6	RE526400	HOSE CLAMP	4		X	
7	R519398	GASKET	1		X	
8	R519989	O-RING	2		X	
9	R518619	GASKET	3		X	
10	15H690	PIPE PLUG	1		X	
11	H33801	HOSE FITTING	1		X	
12	R129608	HOSE	1		X	
13	RE522519	TUBE	1		X	
14	R504810	O-RING	1		X	
15	R524513	HOSE CLAMP	2		X	
16	19M7774	SCREW	2		X	M6 X 12
17	R43409	PLUG	1		X	
18	RE522295	LINE	1		X	
19	R519439	CAP SCREW	6		X	
20	R519426	BOLT	1		X	
21	RE522294	HEAT EXCHANGER	1		X	
22	RE60071	FITTING	1		X	
23	51M7039	O-RING	1		X	
24	12M1646	WASHER	1		X	13 X 24 X 1.200 MM
25	RE522824	TEMPERATURE SENSOR	1		X	
26	RE528297	EXHAUST GAS RECYCLING VALVE	1		X	
27	RE522520	TUBE	1		X	
28	R504810	O-RING	1		X	

9803 (LIFT STRAPS)  
 9803 (OUILLETS DE LEVAGE)  
 9803 (AUFHAENGESEEN)  
 9803 (PIASTRINE DI SOLLEVAMENTO)  
 9803 (CINTAS DE ELEVACION)  
 9803 (LYFTOEGLOR)

RE524938PCDA01 -UN-06JAN05



RE524938PCDA01

KEY	PART NO.	PART NAME	QTY.	ENGINE SERIAL NO	A L L	REMARKS
1	R504016	STRAP	1		X	
2	19M8832	SCREW	2		X	M14 X 30
3	R519690	STRAP	1		X	
4	19M7867	SCREW	1		X	

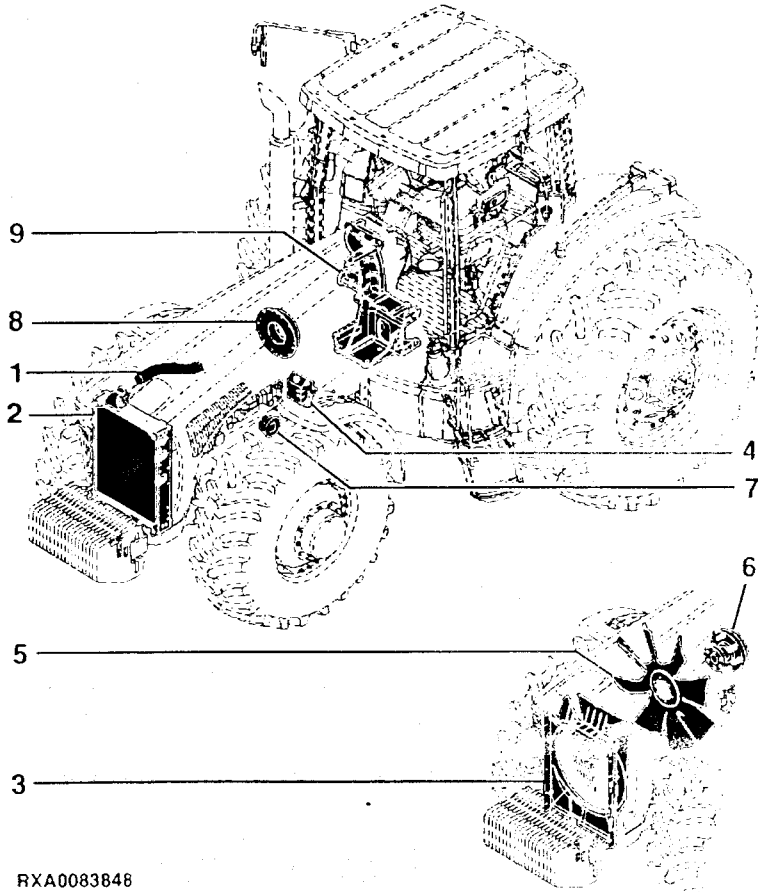
# 25-A01

FAN AND RADIATOR

SECTIONAL INDEX  
INDEX DE SECTION  
GRUPPENINDEX  
INDICE DELLA SEZIONE  
INDICE DE SECCION  
GRUPPSFORTECKNING

RXA0083848 -UN-

1-	2
2-	4
3-	6
4-	7
5-	8
6-	10
7-	12
7-	13
8-	14
9-	16



RXA0083848

# 25-A02

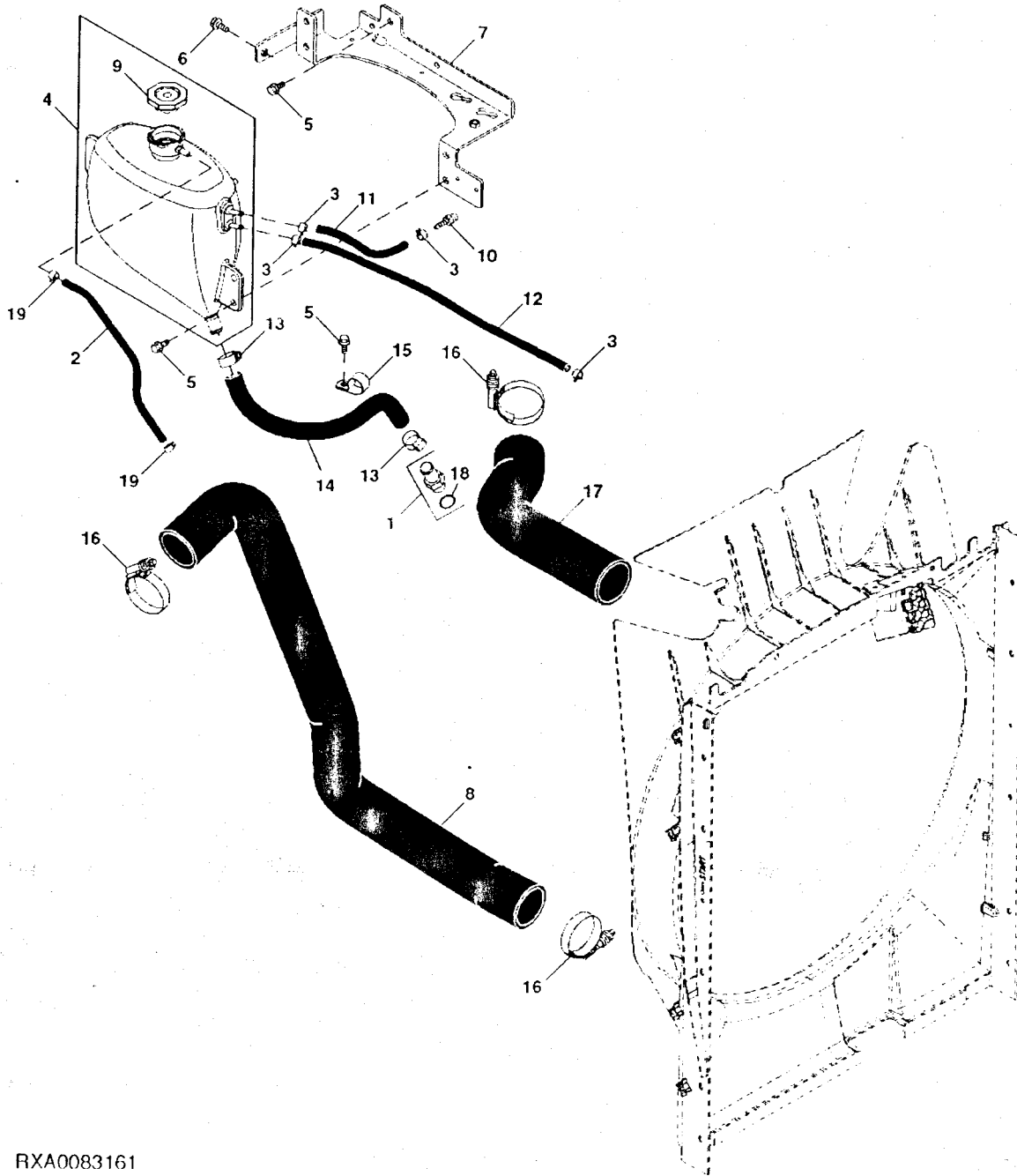
FAN AND RADIATOR

MEMORANDA  
MEMORANDA  
MEMORANDA  
MEMORANDA  
MEMORANDA

MEMORANDA  
MEMORANDA  
MEMORANDA  
MEMORANDA  
MEMORANDA  
MEMORANDA

RADIATOR HOSES/DEAERATION TANK  
FLEXIBLES (DURITS) DE RADIATEUR/RESERVOIR DE DESAERATION  
KUEHLERSCHLAEUICHE/ENTLUEFTUNGSBEHAELTER  
TUBI FLESSIBLI DEL RADIATORE/SERBATOIO DI SFIATO  
MANGUERAS DEL RADIADOR/TANQUE DE DESAIREACION  
KYLARSLANGAR/AVLUFTNINGSTANK

RXA0083161 -UN-11AUG05



RXA0083161

THIS PARTS LISTING IS CONTINUED

KEY	PART NO.	PART NAME	QTY.	TRACTOR SERIAL NO.	A L L	REMARKS
1	RE223627	HOSE FITTING	1		X	
2	.....	HOSE	1		X	(CUT FROM TY22565)
3	R251581	CLAMP	4		X	
4	R243288	TANK	1		X	
5	19M7866	SCREW	7		X	M8 X 20, HS 10.9
6	19M7775	SCREW	2		X	M6 X 16
7	RE243528	BRACKET	1		X	
8	RE243535	RADIATOR HOSE	1		X	
9	RE43593	FILLER CAP	1		X	
10	A60341	FITTING	1		X	
11	R243540	HOSE	1		X	
12	R243542	HOSE	1		X	
13	H156922	HOSE CLAMP	2		X	
14	R250598	HOSE	1		X	(SUB R259538)
15	T27550	CLIP	1		X	
16	AH170895	CLAMP	4		X	
17	R210589	RADIATOR HOSE	1		X	(A)
18	51M7045	O-RING	1		X	19.300 X 2.200 MM
19	R56101	CLIP	2		X	

(A) UPPER  
SUPERIEUR  
OBER  
SUPERIORE  
SUPERIOR  
OEVRE

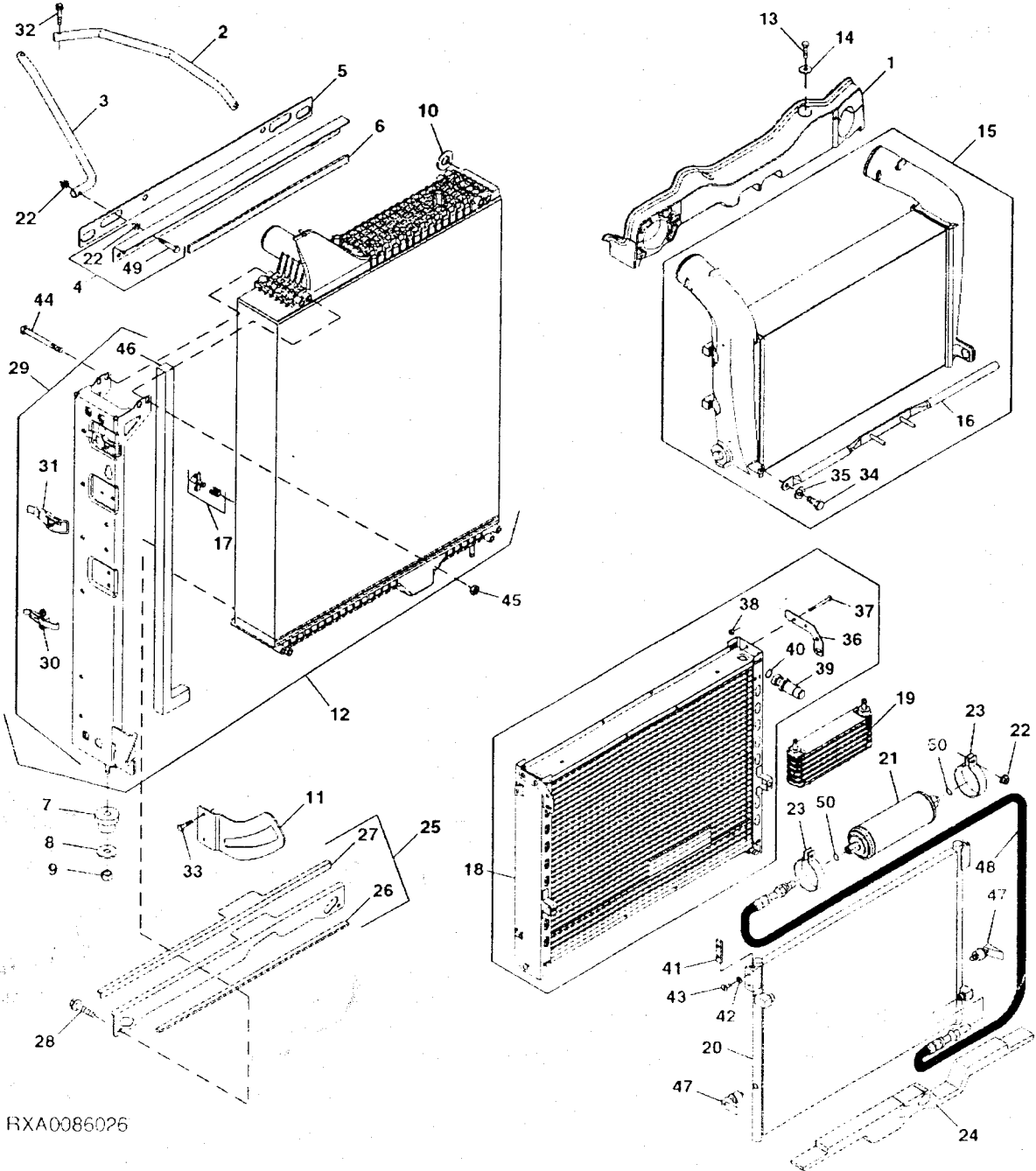


# 25-4

FAN AND RADIATOR

RADIATOR/AFTERCOOLER/CONDENSER/FUEL COOLER/HYD OIL COOLER  
 RADIATEUR/ECHANGEUR THERMIQUE AIR EAU/CONDENSEUR/REFROIDISSEUR DE CARBURANT/REFROIDISSEUR D'HUILE  
 KUEHLER/LADELUFTKUEHLER/KONDENSATOR/KRAFTSTOFFKUEHLER/OELKUEHLER  
 RADIATORE/REFRIGERATORE SUCCESSIVO/CONDENSATORE/RADIATORE DEL CARBURANTE/RADIATORE ALIO  
 RADIADOR/POSREFRIGERADOR/CONDENSADOR/ENFRIADOR DE COMBUSTIBLE/REFRIGERADOR DE ACEITE  
 KYLAARE/MELLANKYLARE/KONDENSATOR/BRAENSLEKYLARE/OLJEKYLARE

RXA0086026 -UN-23JAN06



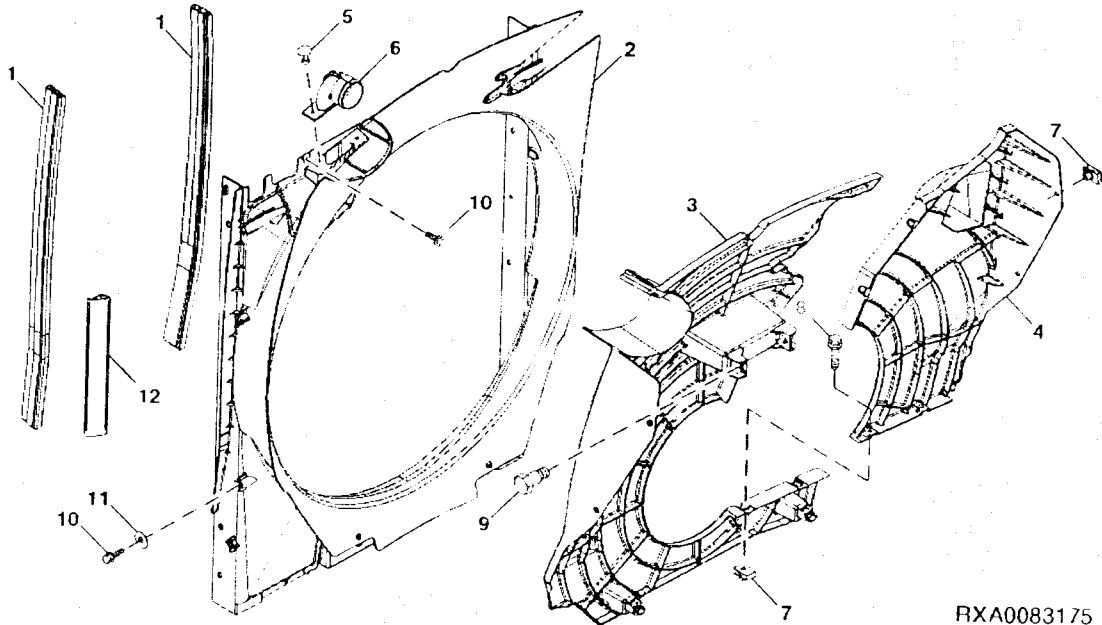
RXA0086026

THIS PARTS LISTING IS CONTINUED

KEY	PART NO.	PART NAME	QTY.	TRACTOR SERIAL NO	A L L	REMARKS
1	R242907	SEAL	1		X	
2	R243210	SUPPORT	1		X	
3	RE210733	SUPPORT	1		X	
4	RE210933	BRACKET	1		X	(INCLUDES (2) 19M7799 AND (2) 14M7298)
5	R210736	SEAL	1		X	
6	R210738	ISOLATOR	1		X	
7	AT139776	ISOLATOR	2		X	
8	24M7180	WASHER	2		X	13 X 37 X 3 MM
9	14M7275	NUT	2		X	M12
10	R230240	WASHER	8		X	
11	R230233	BRACKET	1		X	R.H.
	R230232	BRACKET	1		X	L.H.
12	RE242256	RADIATOR	1		X	
13	53M7003	SCREW	2		X	M8 X 25
14	24H1122	WASHER	2		X	3/8" X 7/8" X 0.083"
15	RE210864	AFTERCOOLER	1		X	(SUB RE251687, RE230241, 19M8324 AND 24M7028)
16	RE230241	HANDLEBAR	1		X	
17	AT13740	DRAIN VALVE	1		X	
18	RE242252	OIL COOLER	1		X	
19	RE241176	FUEL COOLER	1		X	
20	RE242255	VAPOR CONDENSER	1		X	
21	RE214440	RECEIVER-DRYER	1		X	
22	14M7298	FLANGE NUT	8		X	M8
23	R232254	CLAMP	2		X	
24	R242454	SEAL	1		X	
25	RE210886	SUPPORT	1		X	
26	R230239	SEAL	1		X	
27	R230237	ISOLATOR	1		X	
28	37M7083	SCREW	6		X	M8 X 12
29	RE210877	SUPPORT	1		X	L.H.
	RE210879	SUPPORT	1		X	R.H.
30	RE230665	LATCH	2		X	
31	RE230231	LATCH	4		X	
32	19M7897	SCREW	2		X	M8 X 35
33	19M7932	CAP SCREW	4		X	M8 X 16
34	19M8324	CAP SCREW	1		X	M10 X 16
35	24M7028	WASHER	1		X	10.500 X 20 X 2 MM
36	R238617	BRACKET	2		X	
37	21M7312	SCREW	4		X	M6 X 12
38	14M7303	FLANGE NUT	4		X	M6
39	RE190805	DIAGNOSTIC COUPLING	1		X	
40	51M7041	O-RING	1		X	11.300 X 2.200 MM
41	R238619	STRAP	2		X	
42	R238618	WASHER	2		X	
43	R238930	BOLT	4		X	
44	19M9225	CAP SCREW	4		X	M8 X 150
45	14M7426	LOCK NUT	4		X	M8
46	R230234	ISOLATOR	1		X	
47	M133730	LATCH	2		X	
48	RE242918	REFRIGERANT HOSE	1		X	
49	19M7799	SCREW	4		X	M8 X 45
50	R183409	O-RING	2		X	

FAN SHROUD ASSEMBLY  
 RADIATEUR/ECHANGEUR THERMIQUE AIR/EAU  
 KUEHLER/LADELUFTKUEHLER  
 RADIATORE/REFRIGERATORE SUCCESSIVO  
 RADIADOR/POSREFRIGERADOR  
 KYLAARE/MELLANKYLARE

RXA0083175 -UN-09AUG05

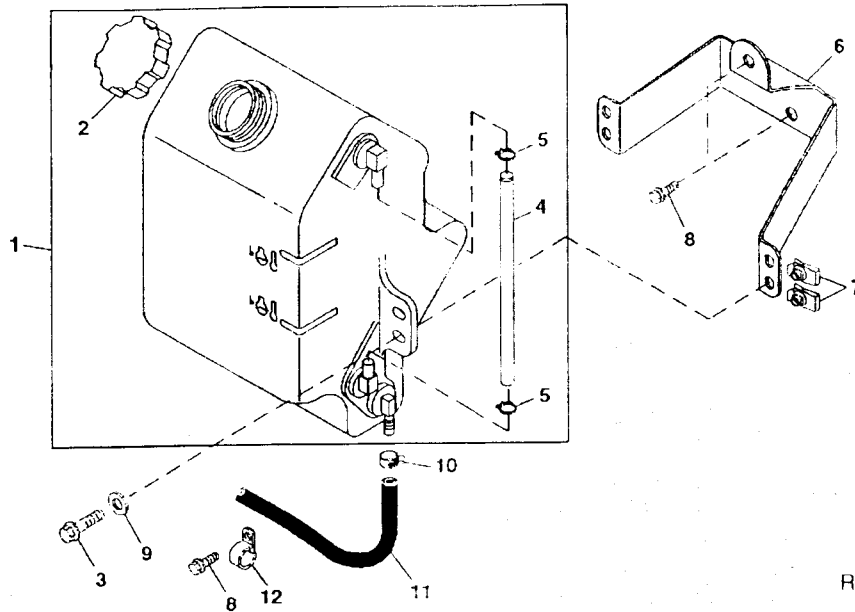


RXA0083175

KEY	PART NO.	PART NAME	QTY.	TRACTOR SERIAL NO.	A L L	REMARKS
1	R210924	SEAL	2		X	
2	RE243485	SHROUD	1		X	
3	R210745	DEFLECTOR	1		X	
4	R210746	DEFLECTOR	1		X	
5	R55326	RIVET	2		X	
6	R232652	ADAPTER	1		X	
7	M84971	NUT	2		X	
8	19M7867	SCREW	4		X	M8 X 25
9	R208851	BOLT	2		X	
10	19M7866	SCREW	10		X	M8 X 20
11	24M7207	WASHER	8		X	8.400 X 24 X 2 MM
12	R228286	SEAL	2		X	

COOLANT RECOVERY TANK  
 RESERVOIR DE COMPENSATION, LIQUIDE DE REFROIDISSEMENT  
 KUEHLMITTEL-UEBERLAUFTANK  
 SERBATOIO DI RECUPERO DEL LIQUIDO DI RAFFREDDAMENTO  
 TANQUE DE RECUPERACION DE REFRIGERANTE  
 AATERVINNINGSTANK FOER KYLMEDEL

RXA0086444 -UN-01FEB06

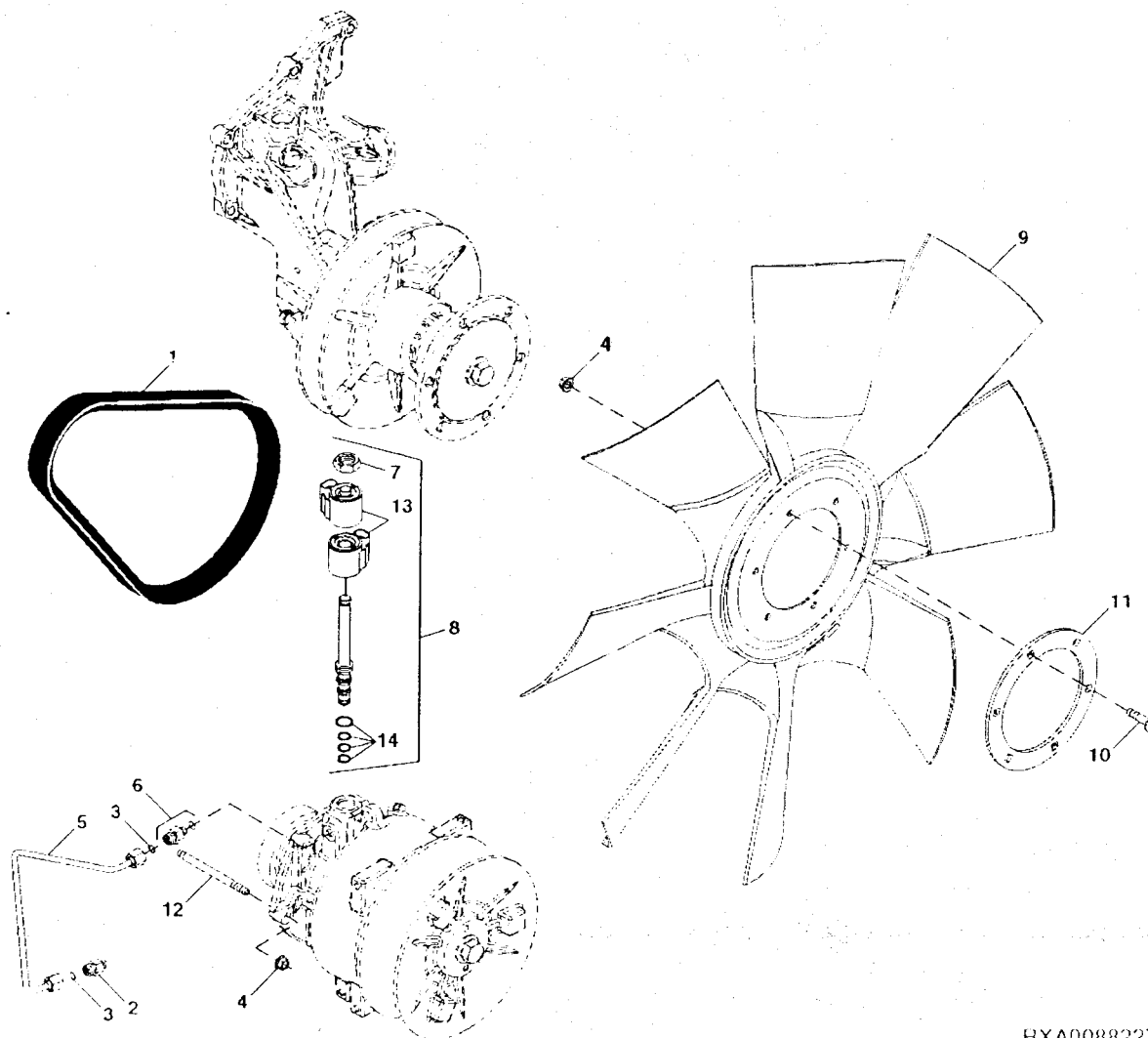


RXA0086444

KEY	PART NO.	PART NAME	QTY.	TRACTOR SERIAL NO.	A L L	REMARKS
1	RE65856	TANK	1		X	
2	RE63194	FILLER CAP	1		X	
3	19M7862	SCREW	4		X	M6 X 20, HS 10.9
4	R130490	TUBE	1		X	
5	R187357	CLAMP	2		X	
6	R215501	BRACKET	1		X	
7	M84972	NUT	4		X	
8	19M7784	SCREW	3		X	M10 X 20, HS 10.9
9	24M7139	WASHER	4		X	6.400 X 18 X 1.600 MM
10	R56101	CLIP	1		X	
11	TY22565	BULK HOSE	1		X	(SUB FOR R250649) 1265 MM
12	R46414	CLAMP	1		X	

FAN DRIVE  
VISCO-COUPLEUR DE VENTILATOR  
LUEFTERANTRIEB  
COMANDO VISCOSO VENTOLA  
EMBRAGUE VISCO D. VENTILADOR  
FLAEKTRIVNING

RXA0088227 -UN-11APR06



HXA0088227

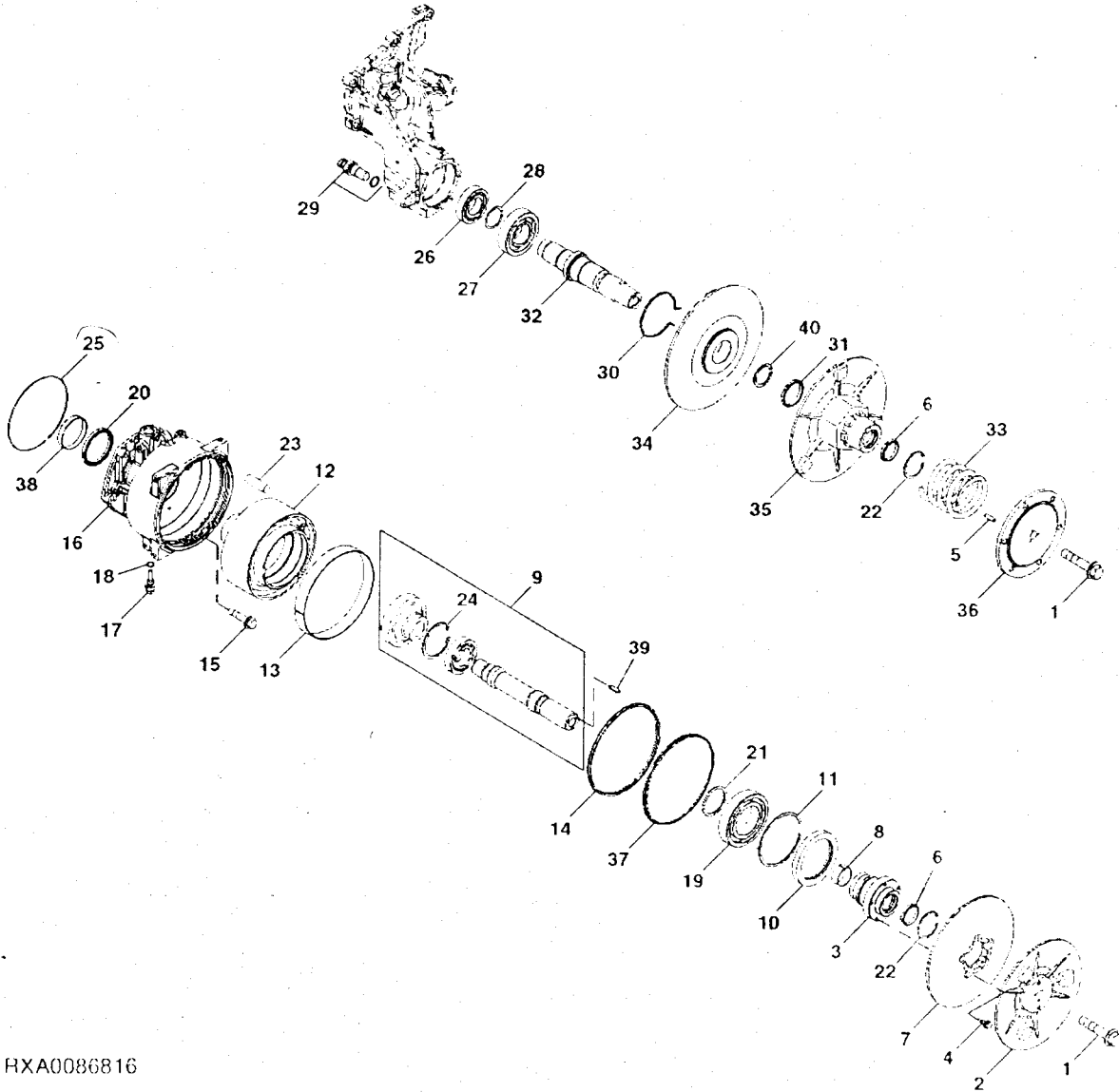
QTY	PART NO.	PART NAME	UNIT	REMARKS
1	R222385	V-BELT		
2	180937	ADAPTER FITTING		
1	177814	O-RING		
1	14M7749	FLANGE NUT		
5	RF 243278	OIL LINE		
1	39H5174	ADAPTER FITTING		
1	51M7030	O-RING		
1	178337	NUT		
1	RE222328	SOLENOID VALVE		
1	RE210585	SUCTION FAN		
1	03M7187	BOLT		
1	R222639	RING		
1	14M7093	STUD		
1	AT195144	SOLENOID VALVE COIL		
1	433465	SEAL KIT		

# 25-10

FAN AND RADIATOR

VARIABLE SPEED FAN DRIVE  
ENTRAINEMENT DE VENTILATEUR A VITESSE VARIABLE  
GEBLAESEANTRIEB MIT VARIABLER DREHZAHL  
COMANDO VENTOLA A VELOCITA' VARIABILE  
MANDO DE VENTILADOR DE VELOCIDAD VARIABLE  
FLAEKTDREV MED VARIABEL HASTIGHET

RXA0086816 -UN-15FEB06



RXA0086816

THIS PARTS LISTING IS CONTINUED

# 25-11

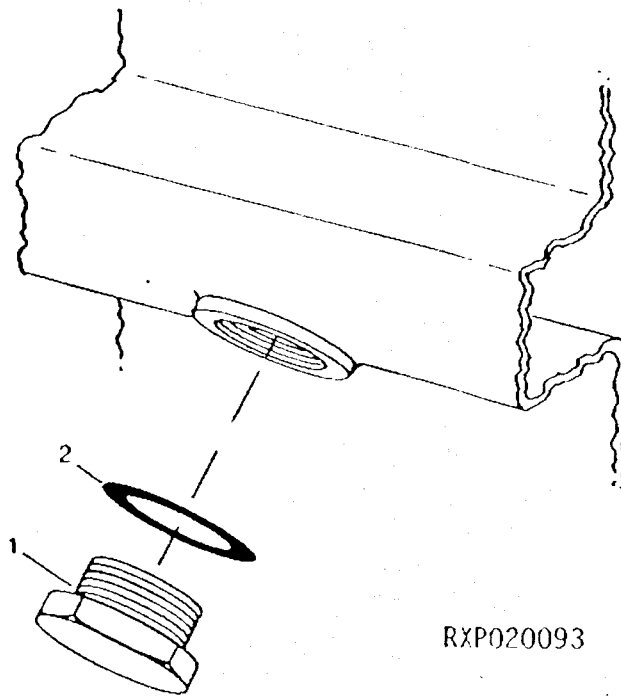
FAN AND RADIATOR

KEY	PART NO.	PART NAME	QTY.	TRACTOR SERIAL NO.	A L L	REMARKS
1	R226347	CAP SCREW	2		X	
2	R250296	HALF SHEAVE	1		X	
3	R242916	HUB	1		X (A)	
4	19M7775	SCREW	5		X	M6 X 16
5	34M7038	SPRING PIN	3		X	6 X 20 MM
v 6	RE242986	SEAL	2		X (A)	
7	R250298	HALF SHEAVE	1		X	
8	R238914	WEAR RING	1		X (A)	
9	RE238507	SHAFT	1		X (A)	
10	RE247417	SEAL	1		X (A)	
11	R108496	SNAP RING	1		X (A)	
12	R217220	ACTUATOR	1		X (A)	
13	R222289	SCRAPER RING	1		X (A)	
14	RE222288	SEAL	1		X (A)	
15	19M8317	SCREW	1		X	M8 X 40
16	.....	HOUSING	1		X (A)	(ORDER RE217219)
17	RE42567	FITTING PLUG	1		X (A)	
	R27296	NUT	1		X (A)	
18	R26286	O-RING	1		X (A)	
19	RE191665	BALL BEARING	1		X	
20	RE222327	SEAL	1		X (A)	
21	R196555	SNAP RING	1		X (A)	
22	R243272	SNAP RING	2		X (A)	
23	R60161	DOWEL PIN	1		X (A)	
24	40M7044	SNAP RING	1		X (A)	
v 25	T80123	O-RING	1		X	
26	RE65610	BALL BEARING	1		X	
27	RE222978	BALL BEARING	1		X	
28	T15509	SNAP RING	1		X	
29	RE519144	SENSOR	1		X	
	51M7044	O RING	1		X	
30	R234148	SNAP RING	1		X	
31	RE242987	SEAL	1		X	
32	.....	SHAFT	1		X	(ORDER RE234176)
33	R215765	COMPRESSION SPRING	1		X	
34	.....	HALF SHEAVE	1		X	(ORDER RE234176)
35	R250294	HALF SHEAVE	1		X	
36	R215871	HUB	1		X	
37	RE223007	SEAL	1		X (A)	
38	R234154	WEAR RING	1		X (A)	
39	34M7038	SPRING PIN	3		X (A)	6 X 20 MM
40	40M7228	SNAP RING	1		X	
	RE217219	VISCOUS FAN DRIVE	1		X	(INCL KEYS MARKED (A) )



ENGINE COOLANT HEATER (W/O HEATER)  
 RECHAUFFEUR DU LIQUIDE DE REFROIDISSEMENT (SANS CHAUFFAGE)  
 KUEHLWASSER-VORWAERMER (OHNE HEIZUNG)  
 RISACALDATORE REFRIGERANTE (SENZA RISCALDATORE)  
 DISPOSITIVO PARA EL CALENTAMIENTO DEL LIQUIDO REFRIGERANTE (SIN CALEFACTOR)  
 KYLVATSKEVARMARE (UTAN VAERMEAPPARAT)

RXP020093 UN-01JAN94



RXP020093

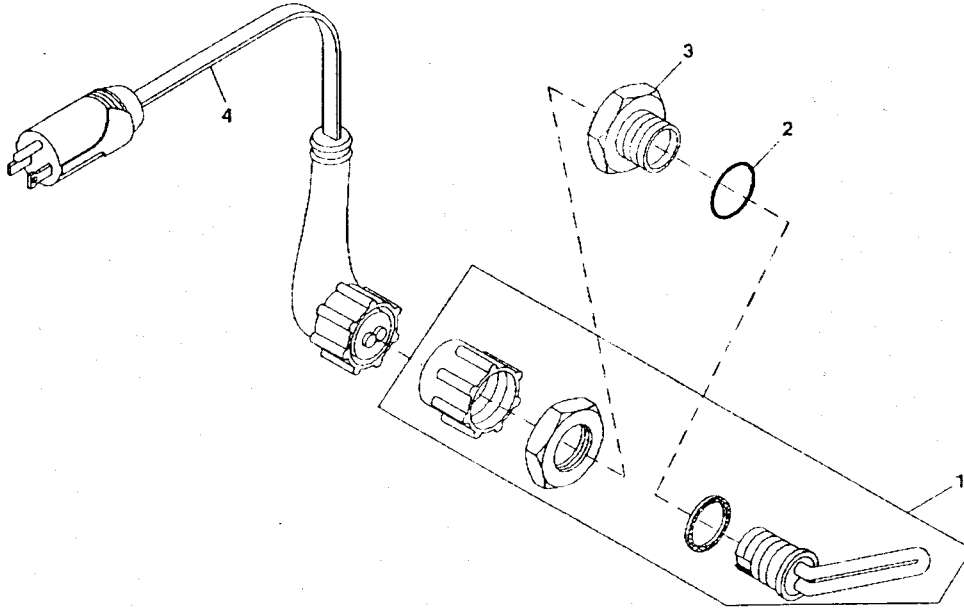
KEY	PART NO.	PART NAME	QTY	ENGINE SERIAL NO.	A L L	REMARKS
1	R39741	DRAIN PLUG	1		X	
2	U13639	O-RING	1		X	

# 25-13

FAN AND RADIATOR

ENGINE COOLANT HEATER (120 V)  
 RECHAUFFEUR DU LIQUIDE DE REFROIDISSEMENT (120 V)  
 KUEHLWASSER-VORWAERMER (120 V)  
 RISACALDATORE REFRIGERANTE (120 V)  
 DISPOSITIVO PARA EL CALENTAMIENTO DEL LIQUIDO REFRIGERANTE (120 V)  
 KYLVATSKEVARMARE (120 V)

RXA0066032 -UN-05MAR03



RXA0066032

KEY	PART NO.	PART NAME	QTY.	ENGINE SERIAL NO.	A	REMARKS
					L	
1	RE524676	HEATING ELEMENT	1		X	(120 V)
	RE524675	HEATING ELEMENT	1		X	(A) (240 V)
2	R54123	ADAPTER FITTING	1		X	
3	U13639	O-RING	1		X	
4	AR50411	WIRING LEAD	1		X	(120 V)
	AR87079	POWER CORD	1		X	(A) (240 V)

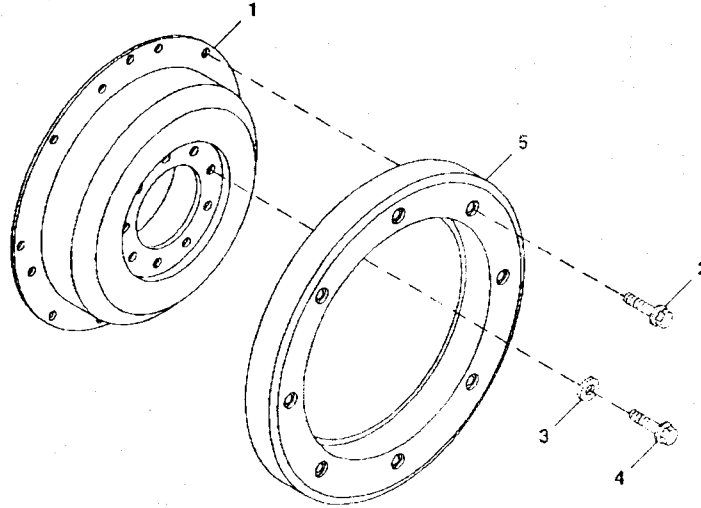
(A) EUROPEAN VERSION  
 VERSION EUROPEENNE  
 EUROPÄISCHE AUSFUEHRUNG  
 VERSIONE EUROPEA  
 VERSION EUROPEA  
 EUROPEISK VERSION

# 25-14

FAN AND RADIATOR

ENGINE COUPLING  
 ACCOUPLEMENT DE MOTEUR  
 MOTORKUPPLUNG  
 RACCORDO DEL MOTORE  
 ACOPLAMIENTO DEL MOTOR  
 MOTORKOPPLING

RXA0081348 -UN-14JUN05



HXA0081348

KEY	PART NO	PART NAME	QTY	ENGINE SERIAL NO.	A L L	REMARKS
1	RE213694	TORSIONAL DAMPER	1		X	
2	19M7835	SCREW	8		X	M10 X 35, HS 10.9
3	24M7240	WASHER	9		X	13 X 25 X 3 MM
4	19M7789	SCREW	9		X	M12 X 30, HS 10.9
5	R219527	RING	1		X	

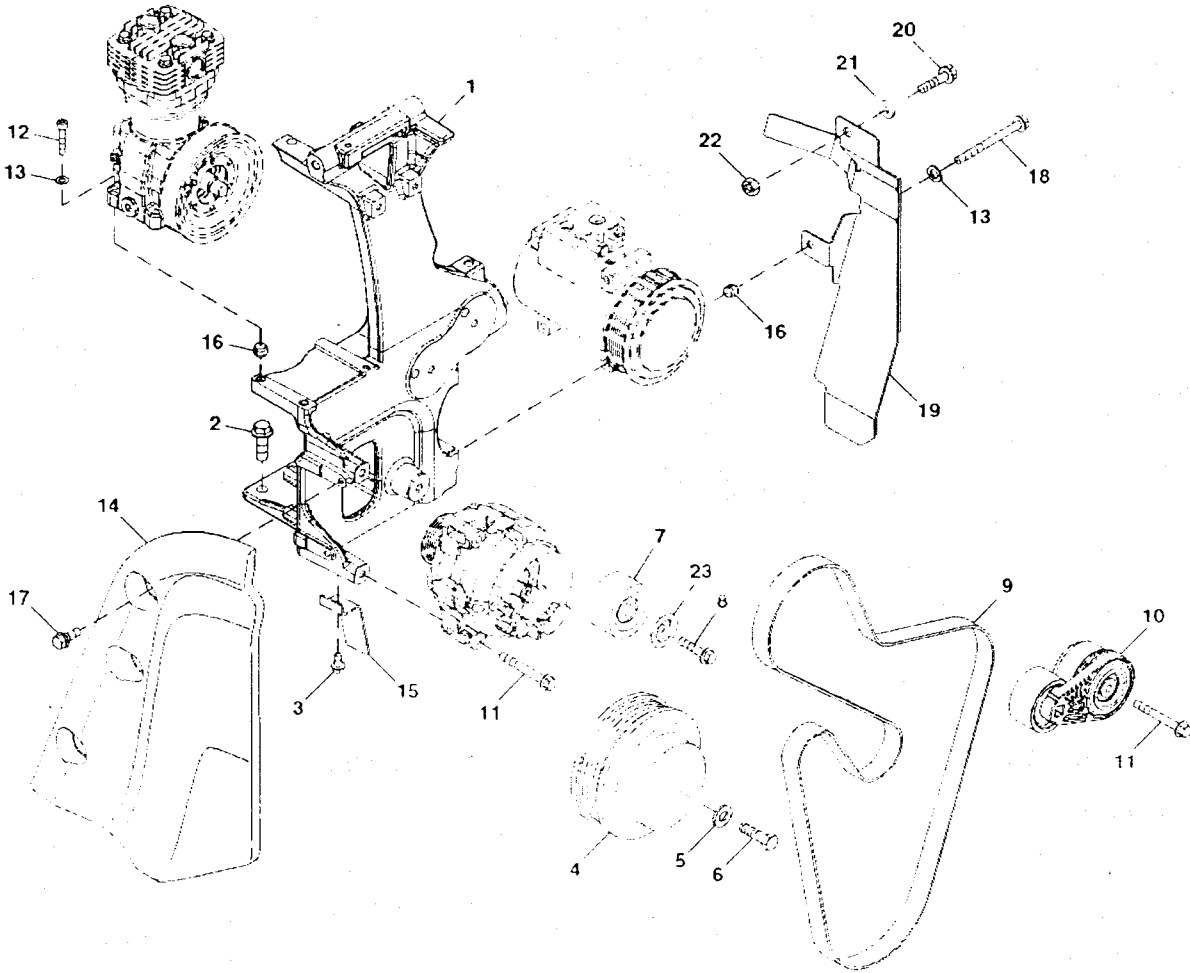
MEMORANDA  
MEMORANDA  
MEMORANDA  
MEMORANDA  
MEMORANDA

# 25-16

FAN AND RADIATOR

AUXILIARY DRIVE AND SHIELDS  
BOULIE/TENDEUR/DISPOSITIF DE PROTECTION  
MEMENSCHENSCHEIBE/ZWISCHENSCHENSCHEIBE/ABDECKUNG  
PULLEGIA/PULEGGIA FOLLE/PROTEZIONE  
POLEA/POLEA TENSORA/ESCUDO  
TOMGAANGSSKIVA/TOMGAANGSSKIVA/SKDD

XA0085165 -UN-28NOV05



RXA0085165

THIS PARTS LISTING IS CONTINUED

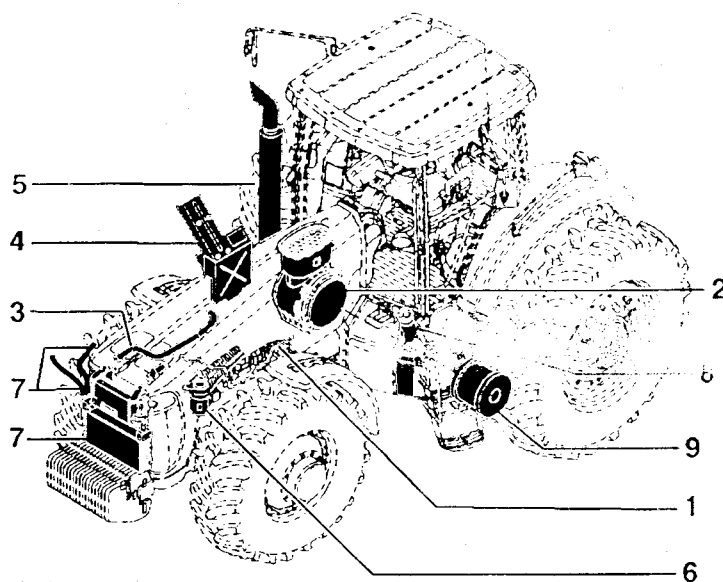
# 35-A01

AIR AND FUEL TANK

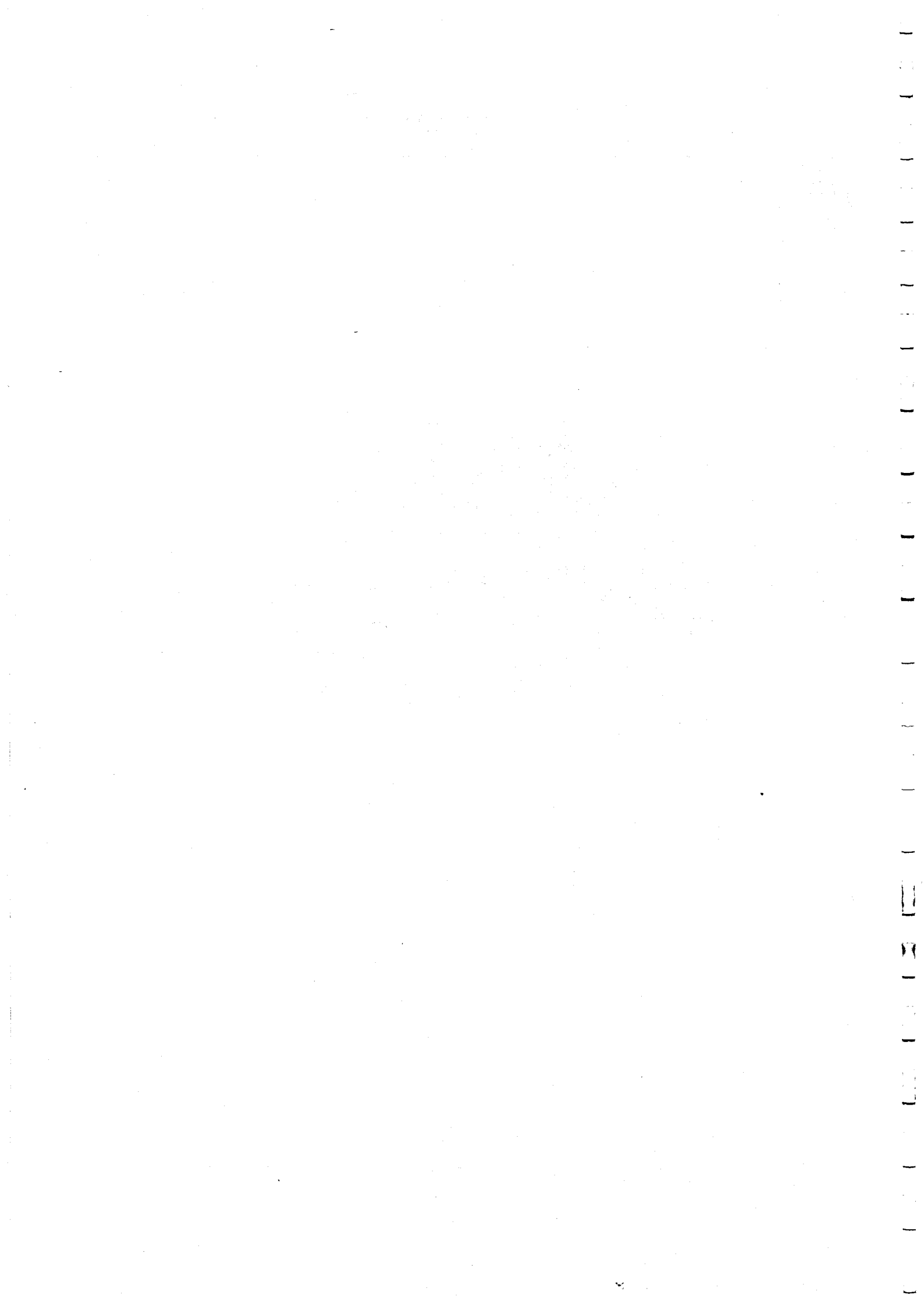
SECTIONAL INDEX  
INDEX DE SECTION  
GRUPPENINDEX  
INDICE DELLA SEZIONE  
INDICE DE SECCION  
GRUPPSFORTECKNING

RXA0082023 -UN-

1-	1
2-	2
3-	4
4-	6
5-	8
6-	10
7-	12
8-	14
9-	16



RXA0082023



# 25-17

FAN AND RADIATOR

KEY	PART NO.	PART NAME	QTY.	TRACTOR SERIAL NO.	A L L	REMARKS
1	R242396	SUPPORT	1		X	
2	19M7791	BOLT	4		X	M12 X 40, HS 10.9
3	19M7865	SCREW	1		X	M8 X 16
4	R107078	PULLEY	1		X	
5	24H1900	WASHER	1		X	17/32" X 2" X 1/4"
6	19M7791	BOLT	1		X	M12 X 40, HS 10.9
7	RE232483	PULLEY	1		X	(B)
8	19M7785	SCREW	1		X	(B) M10 X 25 M10 X 59, HS 10.9
9	R211183	V-BELT	1		X	(A)
	R210808	V-BELT	1		X	(B)
10	RE243199	BELT TENSIONER	1		X	(INCLUDES RE232483, R242392 AND 19M7785)
11	19M7810	SCREW	3		X	M10 X 80, HS 10.9
12	19M8300	SCREW	4		X	(B) M8 X 40
13	24M7336	WASHER	8		X	9 X 16 X 1.600 MM
14	R250072	SHIELD	1		X	(SUB R253051) (SUB FOR R243254)
15	R236606	SHIELD	1		X	(B)
16	L115093	SPRING PIN	2		X	
17	R232522	BOLT	6		X	(SUB R250746)
18	19M7913	SCREW	3		X	M8 X 90
19	R244255	SHIELD	1		X	(SUB R253894)
20	19M7867	SCREW	1		X	M8 X 25, HS 10.9
21	24M7036	WASHER	1		X	9 X 16 X 1.600 MM
22	14M7298	FLANGE NUT	1		X	M8
23	R242392	DUST SHIELD	1		X	

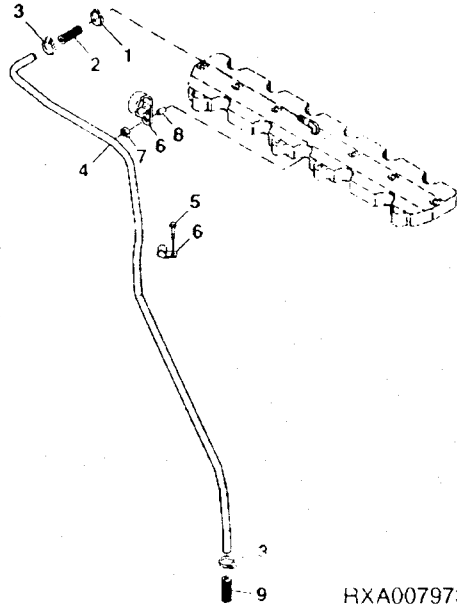
(A) W/O AIR BRAKE  
W/O FREIN A AIR COMPRIME  
W/O DRUCKLUFTBREMS  
W/O FRENO AD ARIA COMPRESSA  
W/O FRENOS NEUMATICOS  
W/O TRYCKLUFTSBROMS

(B) W/AIR BRAKE  
W/FREIN A AIR COMPRIME  
W/DRUCKLUFTBREMS  
W/FRENO AD ARIA COMPRESSA  
W/FRENOS NEUMATICOS  
W/TRYCKLUFTSBROMS



**ENGINE VENTILATOR TUBE  
TUBE D'AERATION DU MOTEUR  
MOTORENTLUEFTUNGSROHR  
TUBO DI VENTILAZIONE MOTORE  
TUBO DE VENTILACION DEL MOTOR  
VENTILATIONSROER FOER MOTOR**

RXA0079736 -UN-28JUL05

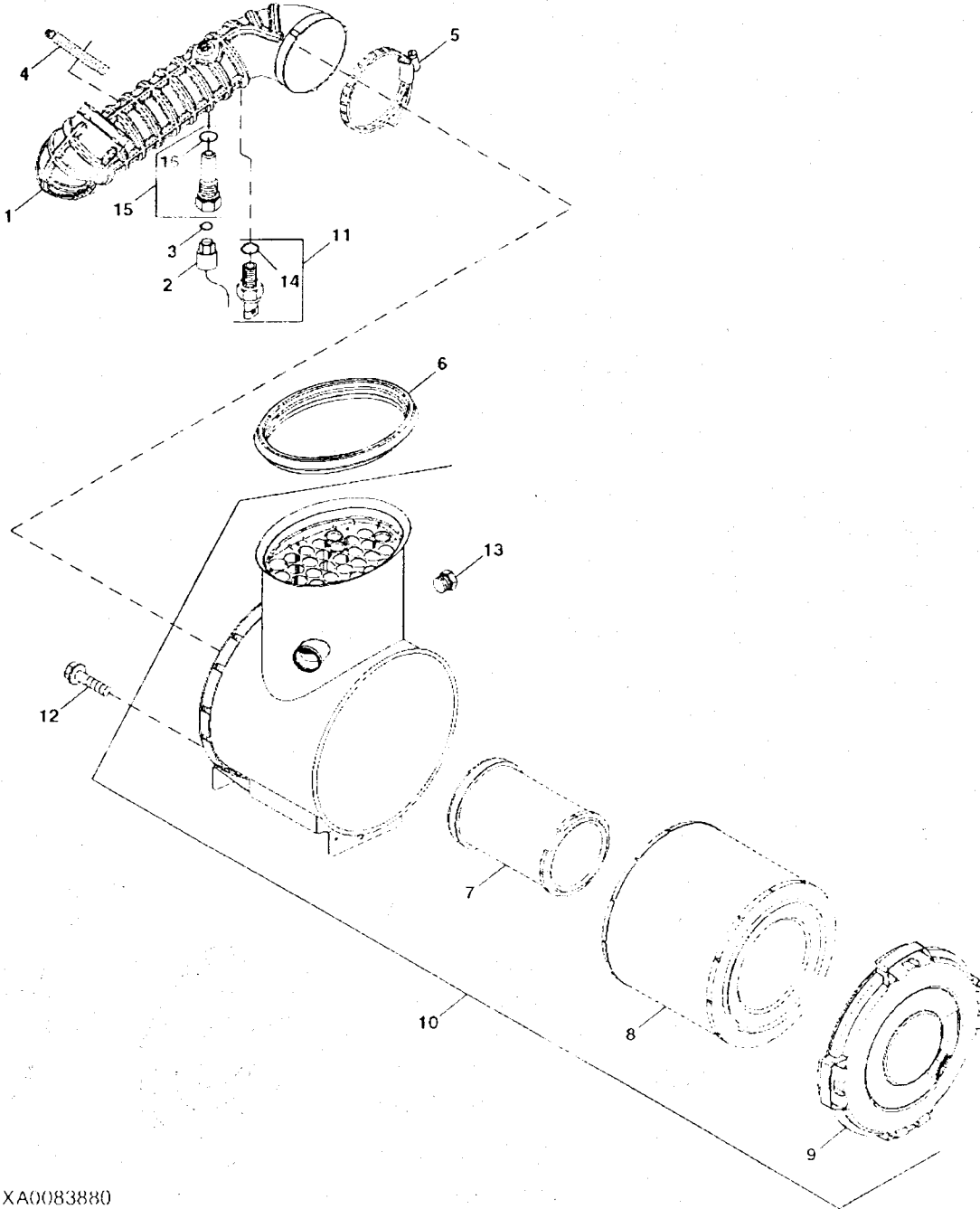


HXA0079736

KEY	PART NO.	PART NAME	QTY.	TRACTOR SERIAL NO	A	REMARKS
					L	
1	R196590	HOSE CLAMP	1		X	
2	R243521	HOSE	1		X	(SUB R257332)
3	LVU13421	CLAMP	2		X	(SUB R132609)
4	R243520	LINE	1		X	(SUB R257305)
5	19M7864	SCREW	1		X	M8 X 12
6	T27523	CLAMP	2		X	
7	14M7298	FLANGE NUT	1		X	M8
8	28H3392	WASHER	1		X	0.364" X 0.540" X 5/16"
9	R243522	HOSE	1		X	(SUB R257306)

DRY AIR CLEANER  
FILTRE A AIR SEC  
TROKENLUFTFILTER  
FILTRO ARIA SECCO  
FILTRO DE AIRE EN SECO  
TORRLUFTRENARE

RXA0083880 UN-07SEP05



RXA0083880

THIS PARTS LISTING IS CONTINUED

# 35-3

AIR AND FUEL TANK

KEY	PART NO.	PART NAME	QTY	TRACTOR SERIAL NO.	A	REMARKS
					L L	
1	RE241957	TUBE	1		X	
	RE241958	TUBE	1		X (A)	
2	RE219835	AIR RESTRICTION SENSOR	1		X	
3	R77673	O-RING	1		X	
4	RE52703	HOSE CLAMP	1		X	
5	RE66534	CLAMP	1		X	
6	R243465	SEAL	1		X	(SUB R254022)
7	RE210103	FILTER ELEMENT	1		X	
8	RE210102	FILTER ELEMENT	1		X	
9	RE210105	COVER	1		X	
10	RE242336	AIR CLEANER	1		X	
11	RE525016	THERMOCOUPLE	1		X (B)	
12	19M7788	SCREW	3		X	M12 X 25
13	M122275	FITTING	1		X	
14	51M7041	O-RING	1		X	11.300 X 2.200 MM
15	RE239083	ADAPTER FITTING	1		X	
16	51M7040	O-RING	1		X	9.300 X 2.200 MM

(A) TRAILER BRAKE  
 FREIN DE REMORQUE  
 ANHAENGERBREMSE  
 FRENO DEL RIMORCHIO  
 FRENO DEL REMOLQUE  
 SLAEPVAGNSBROMS

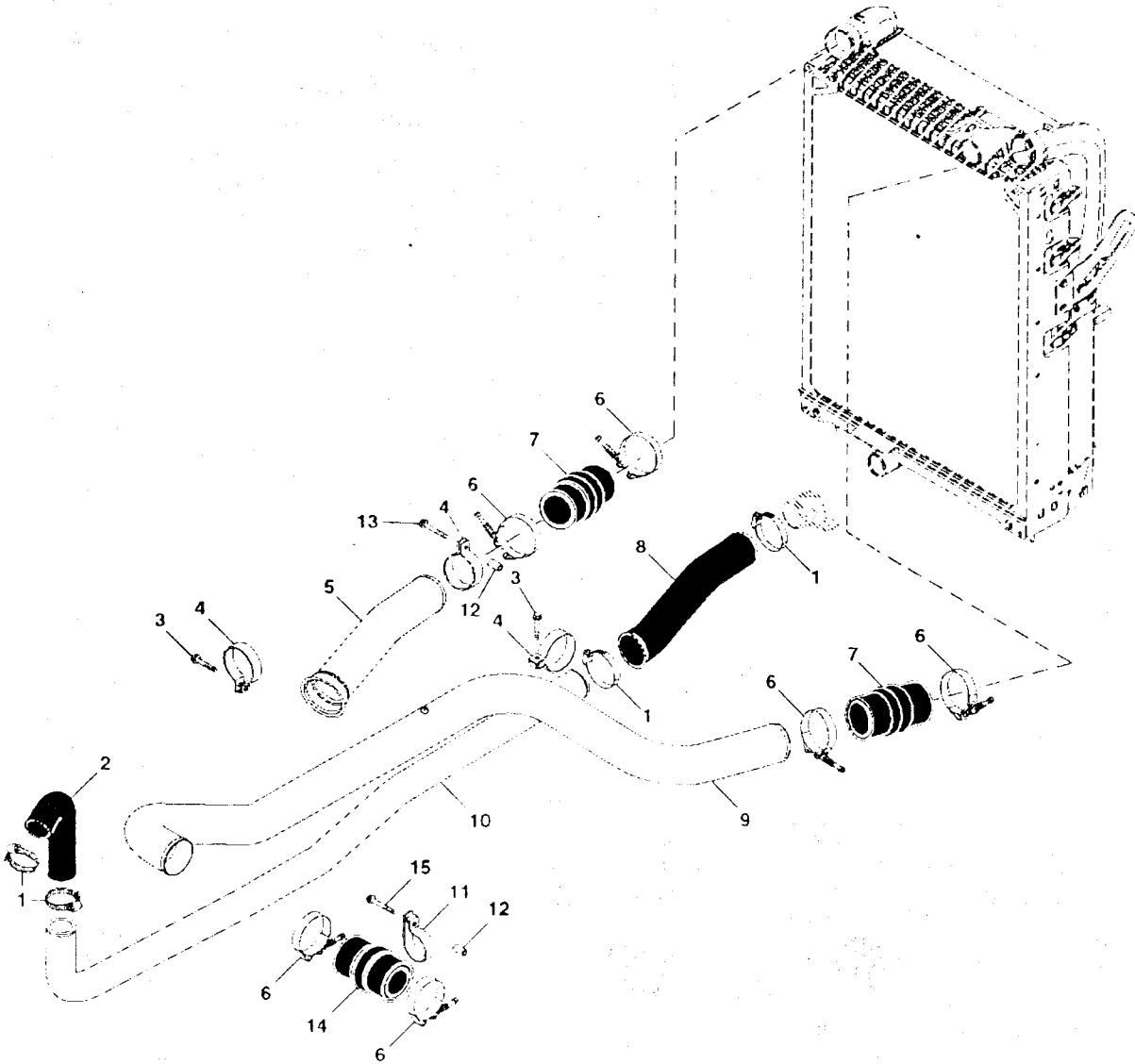
(B) AIR TEMPERATURE  
 TEMPERATURE DE L'AIR  
 LUFTTEMPERATUR  
 TEMPERATURA ARIA  
 TEMPERATURA DEL AIRE  
 LUFTTEMPERATUR

# 35-4

AIR AND FUEL TANK

AIR INTAKE PIPES  
TUYAU D'ADMISSION D'AIR  
LUFTANSAUGROHR  
TUBAZIONE D'ASPIRAZIONE DELL'ARIA  
TUBO DE ADMISION DE AIRE  
LUFTINSUGNINGSROER

RXA0083884 -UN-12SEP05

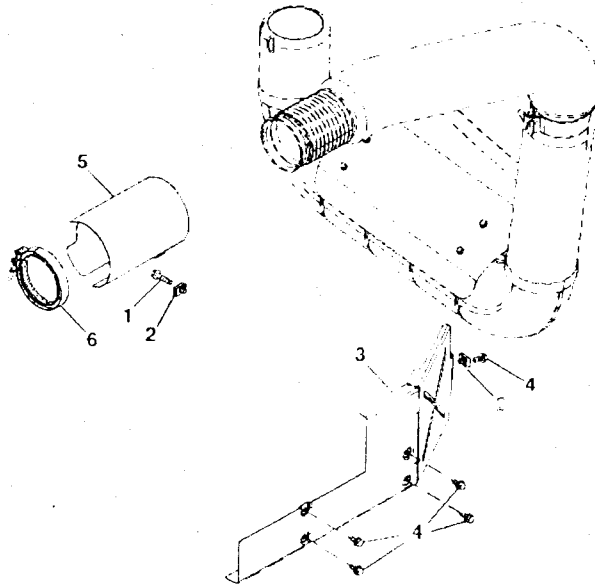


HXA0083884

KEY	PART NO.	PART NAME	QTY	TRACTOR SERIAL NO.	A L L	REMARKS
1	AL170672	CLAMP	4		X	
2	R243407	HOSE	1		X	
3	19M7800	SCREW	2		X	M8 X 50
4	R232254	CLAMP	3		X	
5	R243202	PIPE	1		X	
6	AT301456	CLAMP	6		X	
7	R210097	HOSE	2		X	
8	R239739	HOSE	1		X	
9	R210100	PIPE	1		X	
10	R241966	TUBE	1		X	
11	R241967	CLAMP	2		X	
12	28H3390	SPACER	3		X	0.364" X 0.540" X 1"
13	19M8040	SCREW	1		X	M6 X 60
14	R226646	HOSE	1		X	
15	19M7979	SCREW	2		X	M8 X 55, HS 10.9

ECHAPPEMENT, DISPOSITIFS DE PROTECTION  
 AUSPUFF-SCHILDER  
 PROTEZIONI DI SCARICO  
 PROTECTORES DEL ESCAPE  
 AVGASSKYDD

HXA0077509 -UN-13JUN05

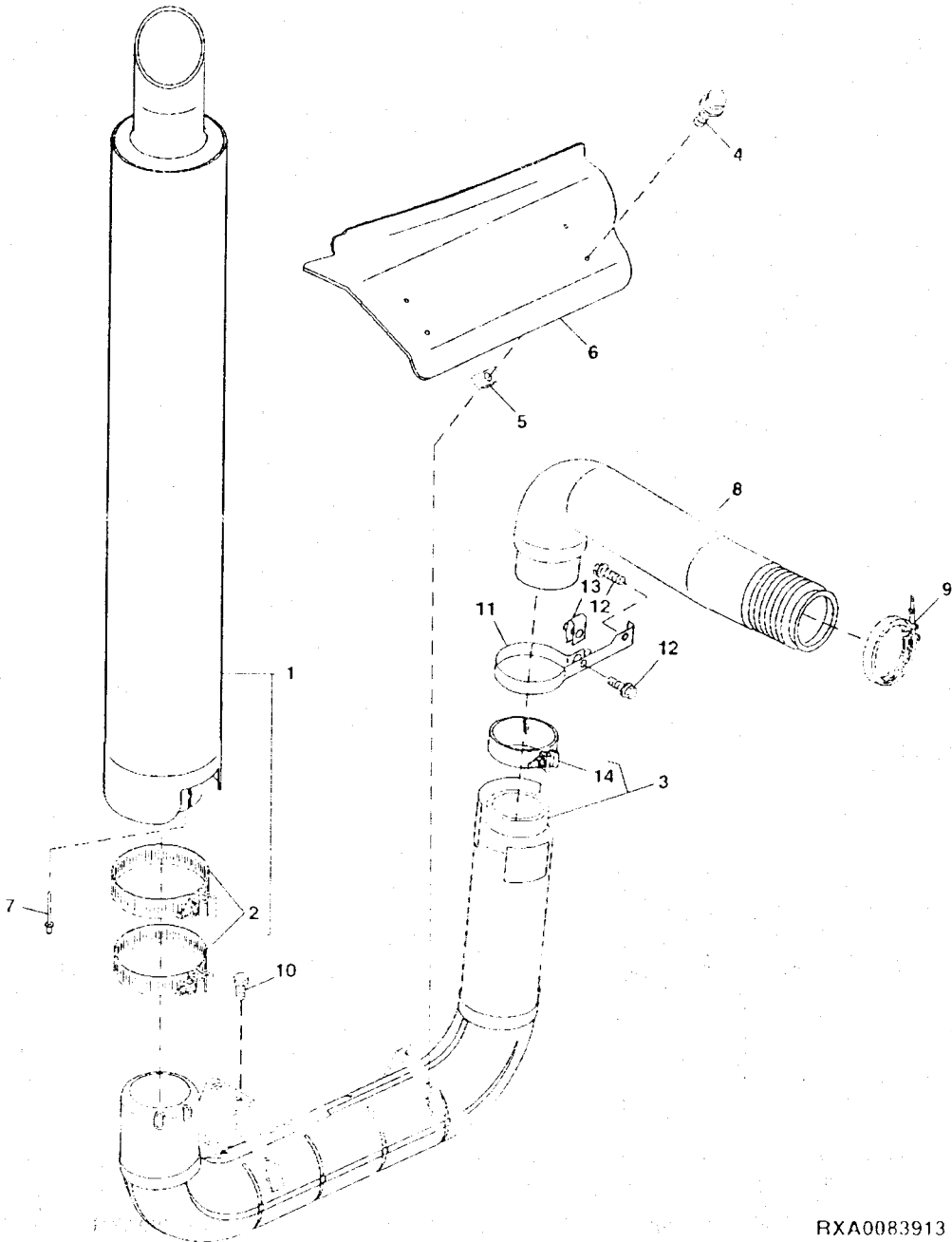


HXA0077509

KEY	PART NO.	PART NAME	QTY.	TRACTOR SERIAL NO.	A L L	REMARKS
1	19M7897	SCREW	1		X	M8 X 35, HS 10.9
2	L55969	NUT	2		X	
3	RE210824	SHIELD	1		X	
4	19M7865	SCREW	5		X	M8 X 16
5	R210827	SHIELD	1		X	
6	RE166242	CLAMP	1		X	

EXHAUST SYSTEM  
ECHAPPEMENT  
ABGASANLAGE  
SCARICO  
SISTEMA DE ESCAPE  
AVGASSYSTEM

RXA0083913 -UN-08SEP05



RXA0083913

THIS PARTS LISTING IS CONTINUED

# 35-9

AIR AND FUEL TANK

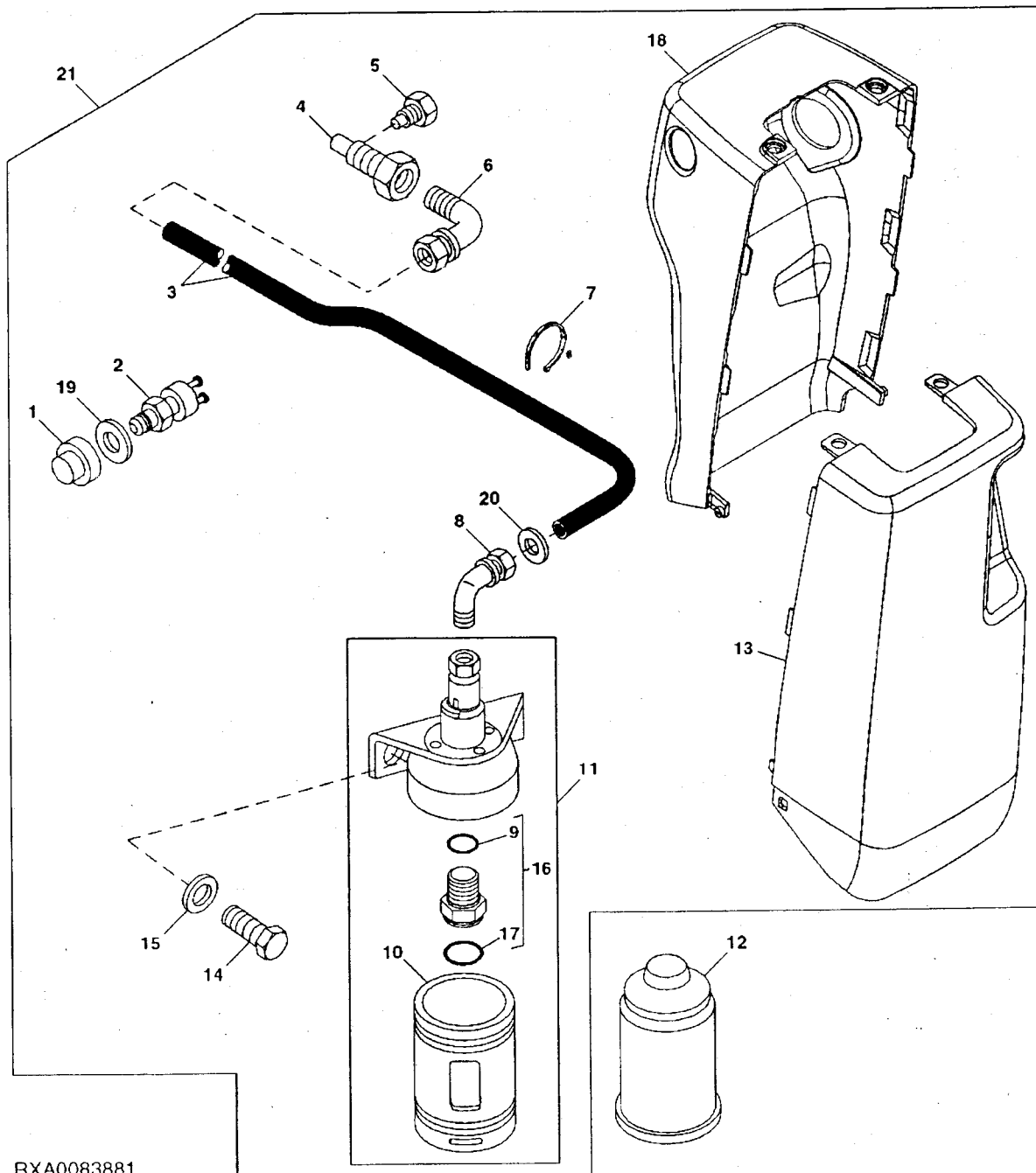
KEY	PART NO.	PART NAME	QTY.	TRACTOR SERIAL NO.	A L L	REMARKS
1	RE210829	MUFFLER	1		X	(ALSO ORDER R54477)
2	RE53282	CLAMP	2		X	
3	RE210825	EXHAUST PIPE	1		X	
4	M72077	CAP SCREW	4		X	
5	M84972	NUT	4		X	
6	R179927	SHIELD	1		X	
7	R54477	RIVET	1		X	
8	RE210826	EXHAUST PIPE	1		X	
9	RE166242	CLAMP	1		X	
10	19M7788	SCREW	3		X	M12 X 25, HS 10.9
11	R235616	CLAMP	1		X	
	RE243548	CLAMP	1		X (A)	
12	19M7791	BOLT	2		X	M12 X 40
13	R120213	NUT	1		X	
14	RE52087	CLAMP	1		X	

(A) W/ TRAILER AIR BRAKE  
W/ RACCORDS DU FREIN A AIR COMPRIME  
W/ ANHAENGER-LUFTDRUCKBREMSE  
W/ FRENO PHEUMATICO DEL RIMORCHIO  
W/ FRENOS DE AIRE DEL REMOLQUE  
W/ SLAEPVAGNSBROMS



ETHER COLD WEATHER STARTING AID  
 AIDE AU DEMARRAGE A L'ETHER  
 AETHER-STARHILFE  
 DISP. PER L'AVVIAMENTO A FREDDO CON ETRE  
 DISP. PARA FACILITAR EL ARRANQUE EN FRIJO CON ETRE  
 KALLSTART(ETER)

RXA0083881 -UN-07SEP05



RXA0083881

THIS PARTS LISTING IS CONTINUED

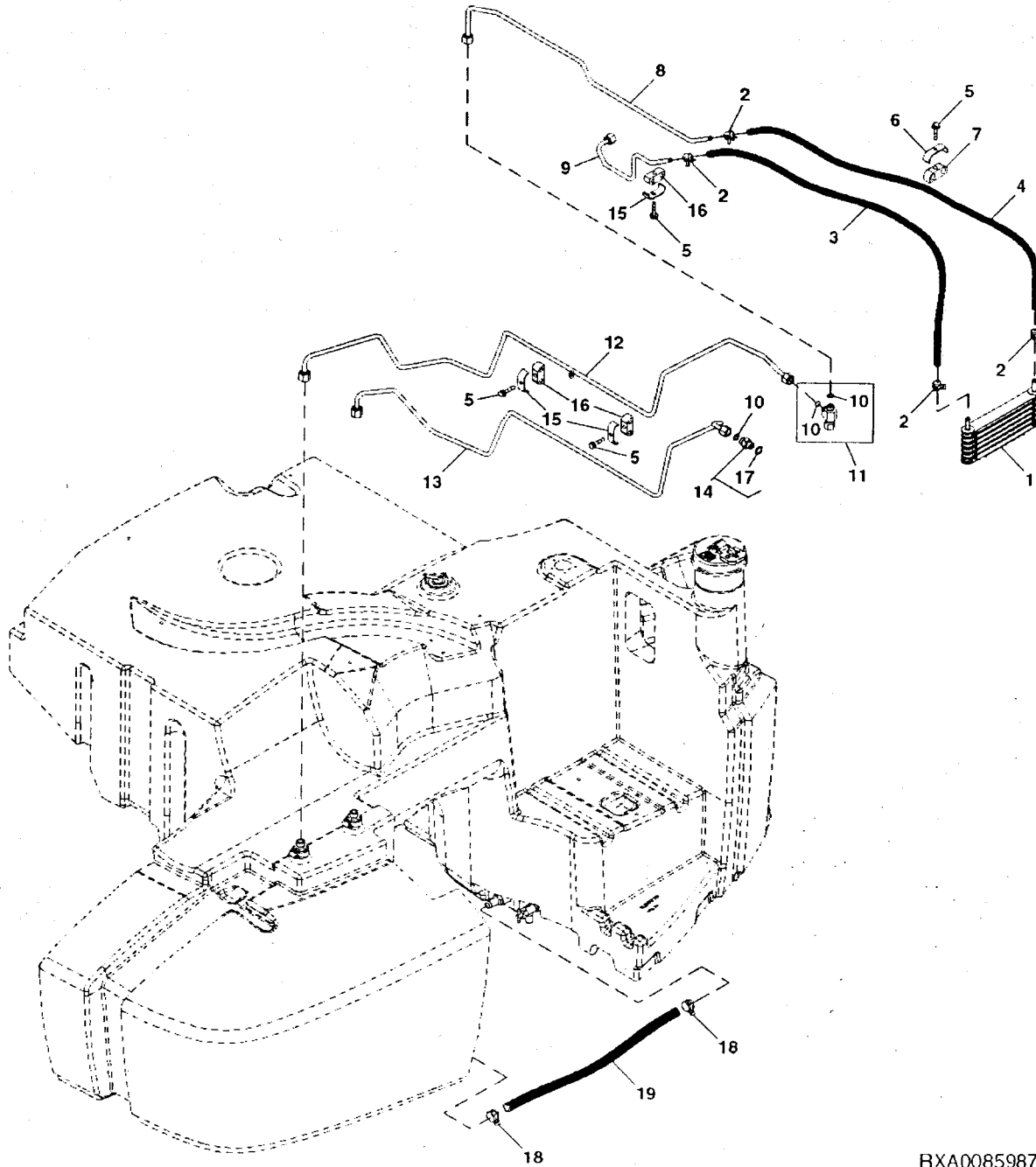
## 35-11

AIR AND FUEL TANK

KEY	PART NO.	PART NAME	QTY.	TRACTOR SERIAL NO.	A L L	REMARKS
1	T55585	CAP	1		X	
2	R39554	SWITCH	1		X	
3	TY22417	BULK HOSE	1		X	
4	R47160	NOZZLE HOLDER	1		X	
5	R28583	NOZZLE	1		X	
6	RE21790	ELBOW FITTING	1		X	
7	R44302	TIE BAND	AR		X	
8	RE21790	ELBOW FITTING	1		X	
9	T15712	O-RING	1		X	
10	R73498	CONTAINER	1		X	
11	RE48310	STARTING AID SOLENOID	1		X	
12	RE33636	STARTING FLUID	1		X	
13	R241156	COVER	1		X	
14	19M7923	CAP SCREW	2		X	M6 X 12
15	24M7088	WASHER	2		X	6.600 X 12 X 1.600 MM
16	RE48321	ADAPTER FITTING	1		X	
17	T13119	O-RING	1		X	
18	R241157	COVER	1		X	
19	24M7053	WASHER	1		X	17 X 30 X 3 MM
20	24M7096	WASHER	1		X	10.500 X 18 X 1.600 MM
21	AR247328	FIELD INSTALLATION KIT	1		X	

FUEL COOLER/FUEL LINES  
REFROIDISSEUR DE CARBURANT/TUYAUX D'INJECTION  
KRAFTSTOFFKUEHLER/KRAFTSTOFFLEITUNGEN  
RADIATORE DEL CARBURANTE/TUBAZIONI COMBUSTIBILE  
ENFRIADOR DE COMBUSTIBLE/TUBERIAS DE COMBUSTIBLE  
BRAENSLEKYLARE/BRAENSLEEDNINGAR

RXA0085987 -UN-23JAN06



RXA0085987

# 35-13

AIR AND FUEL TANK

KEY	PART NO.	PART NAME	QTY.	TRACTOR SERIAL NO.	A L L	REMARKS
1	RE241176	FUEL COOLER	1		X	
2	R202160	CLAMP	4		X	
3	R221911	HOSE	1		X	
4	R221912	HOSE	1		X	
5	19M7897	SCREW	4		X	M8 X 35
6	R184062	CLAMP	1		X	
7	R184067	CLAMP	1		X	
8	RE243512	FUEL LINE	1		X	
9	RE220195	FUEL LINE	1		X	
10	T77613	O-RING	3		X	
11	38H5105	TEE FITTING	1		X	
12	RE243514	FUEL LINE	1		X	(A)
13	RE220209	FUEL LINE	1		X	(B)
14	38H5037	ADAPTER FITTING	1		X	
15	R184060	COVER	3		X	
16	R184064	CLAMP	3		X	
17	51M7042	O-RING	1		X	
18	R117721	CLAMP	2		X	
19	R221914	HOSE	1		X	

(A) RETURN  
 RETOUR  
 RUECKLAUF  
 RITORNO  
 RITORNO  
 RETUR

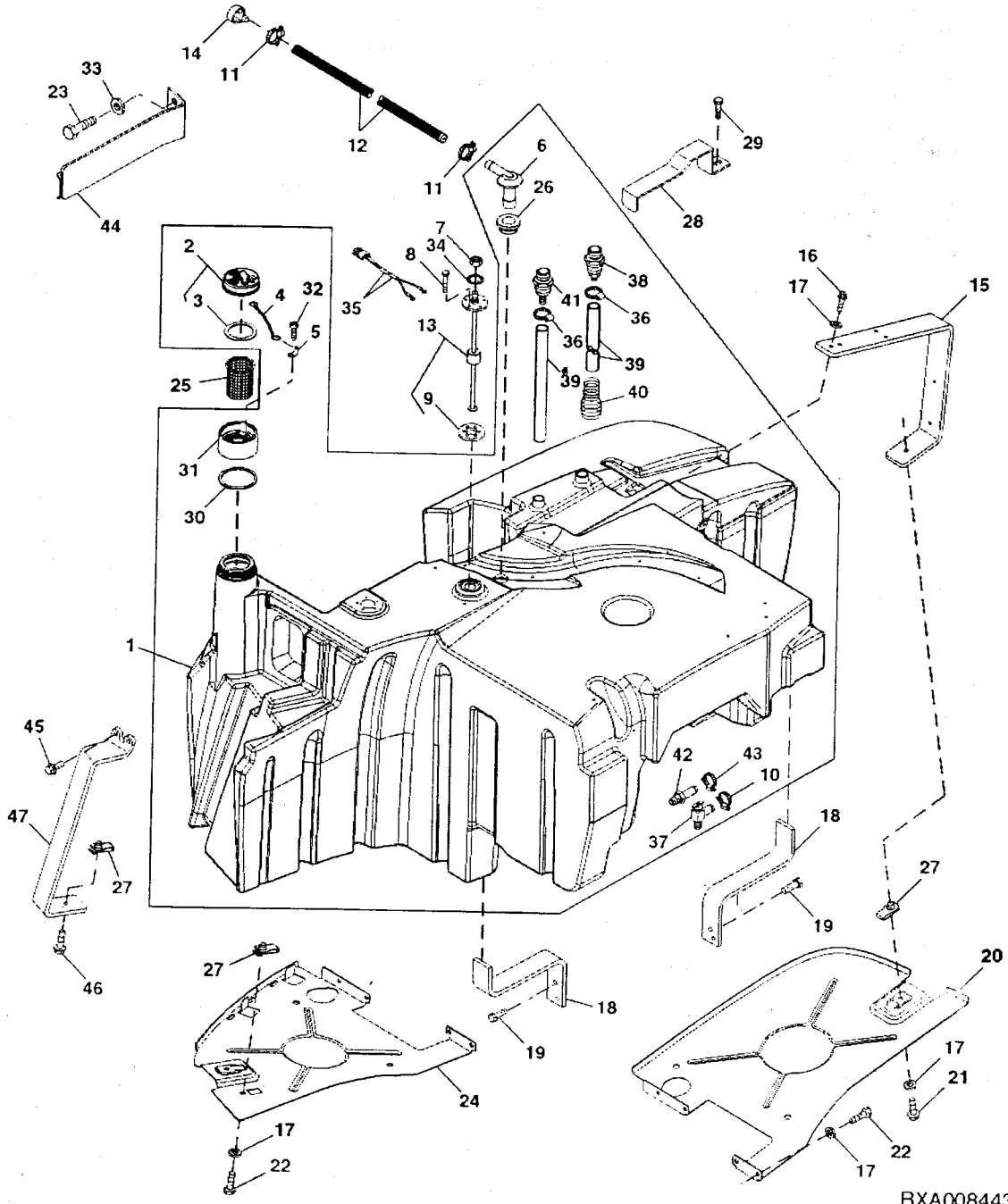
(B) SUPPLY  
 ALIMENTATION  
 VORRAT  
 FORNITURA  
 ABASTECIMIENTO  
 MATNING

# 35-14

AIR AND FUEL TANK

FUEL TANK  
RESERVOIR A COMBUSTIBLE  
KRAFTSTOFFTANK  
SERBATOIO COMBUSTIBILE  
DEPOSITO DE COMBUSTIBLE  
BRANSETANK

RXA0084436 -UN-30SEP05



RXA0084436

KEY	PART NO.	PART NAME	QTY.	TRACTOR SERIAL NO.	A L L	REMARKS
1	RE242492	FUEL TANK	1		X	
2	RE234193	FILLER CAP	1		X	
3	R122754	GASKET	1		X	
4	AH159448	LINK CHAIN	1		X	
5	H174831	ANCHOR	1		X	
6	R237815	VENT	1		X	
7	14H631	NUT	1		X	0.190"
8	19M7640	CAP SCREW	6		X	M5 X 12
9	RE234561	GASKET	1		X	
10	TY22467	CLAMP	1		X	
11	R56101	CLIP	2		X	
12	R169364	HYDRAULIC HOSE - FABRICATE	1		X	
13	RE213502	FUEL SENDER	1		X	(INCLUDES RE234561)
14	RE52504	BREATHER	1		X	
15	R210376	STRAP	1		X	R.H.
16	19M7402	CAP SCREW	2		X	M10 X 25, HS 10.9
17	24M7346	WASHER	11		X	11 X 20 X 2 MM
18	R210373	SUPPORT	2		X	
19	19M7790	SCREW	2		X	M12 X 35, HS 10.9
20	R210374	PLATE	1		X	R.H.
21	19M7550	CAP SCREW	1		X	M10 X 35, HS 10.9
22	19M7938	CAP SCREW	10		X	M10 X 20, HS 10.9
23	19M7946	CAP SCREW	2		X	M20 X 40
24	R210375	PLATE	1		X	L.H.
25	AH162914	STRAINER	1		X	(C)
26	R114023	GROMMET	1		X	
27	H137447	NUT	2		X	
28	R193187	HALF CLAMP	1		X	
29	19M7865	SCREW	1		X	M8 X 16
30	R120233	O-RING	1		X	
31	AH165079	ADAPTER FITTING	1		X	
32	T164203	SCREW	1		X	
33	24M7242	WASHER	2		X	21.400 X 42 X 5 MM
34	12H295	LOCK WASHER	1		X	0.190"
35	RE216338	SENSOR WIRING HARNESS	1		X	(B)
36	TY22467	CLAMP	2		X	
37	AT35831	DRAIN VALVE	1		X	
38	R193666	FITTING	1		X	
39	R234677	TUBE	2		X	
40	R194311	COMPRESSION SPRING	1		X	
41	R193666	FITTING	1		X	
42	R173934	FITTING	2		X	(A)
43	TY22467	CLAMP	2		X	
44	RE218223	BRACKET	1		X	ILS
45	19M7785	SCREW	2		X	M10 X 25, HS 10.9
46	19M7835	SCREW	1		X	M10 X 35, HS 10.9
47	R210337	STRAP	1		X	

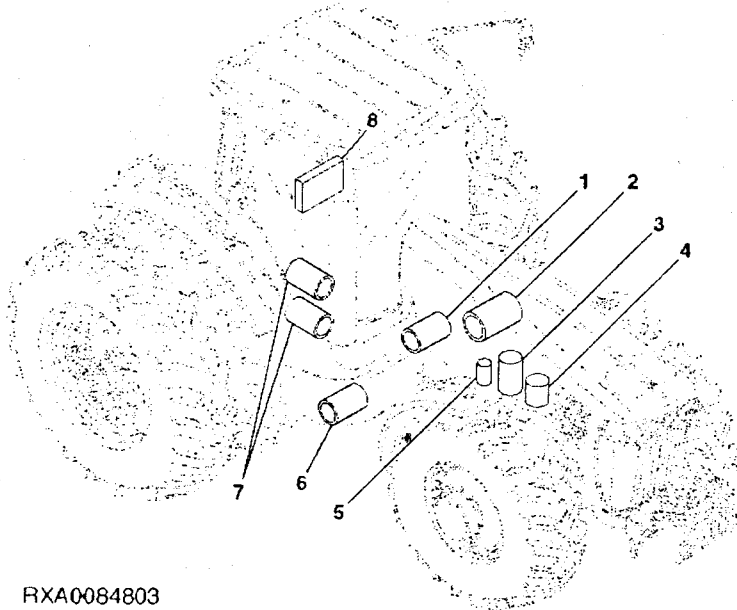
(A) CROSSOVER HOSE  
FLEXIBLE DE RACCORDEMENT  
QUERVERBINDUNGSSCHLAUCH  
TUBO FLISSIBILE INCROCIATO  
MANGUERA DE TRASPASO  
OEVERGAANGSSLANG

(B) FUEL SENDER  
CAPTEUR DE CARBURANT  
KRAFTSTOFF-MESSWERTGEBER  
TRASMETTITORE DEL LIVELLO DEL CARBURANTE  
EMISOR COMBUSTIBLE  
BRAENSLEGIVARE

(C) OPTIONAL  
EN OPTION  
SONDERZUBEHOER  
FACOLTATIVO  
OPCIONAL  
VALFRITT

FILTERS  
 FILTRES  
 FILTER  
 FILTRI  
 FILTROS  
 FILTER

RXA0084803 -UN-31OCT05



RXA0084803

KEY	PART NO.	PART NAME	QTY.	ENGINE SERIAL NO.	A L L	REMARKS
1	RE210103	AIR FILTER	1		X (D)	
2	RE210102	FILTER ELEMENT	1		X (C)	
3	RE523236	FILTER ELEMENT	1		X (E) (2 MICRON)	
4	RE509672	FILTER ELEMENT	1		X (F)	
5	RE520906	FILTER ELEMENT	1		X (B) (10 MICRON)	
6	RE24619	AIR FILTER	1		X	
	RE67829	AIR FILTER	1		X (A)	
7	RE210857	OIL FILTER	2		X	
8	RE187966	AIR FILTER	1		X	

(A) HIGH EFFICIENCY  
 HAUT RENDEMENT  
 HOCHLEISTUNGSFAEHIG  
 ALTA EFFICIENZA  
 ALTA EFICIENCIA  
 HOEG EFFEKTIVITET

(C) PRIMARY ENGINE AIR FILTER  
 FILTRE A AIR PRIMAIRE DU MOTEUR  
 MOTOR-LUFTVORFILTER  
 FILTRO PRIMARIO DELL'ARIA MOTORE  
 FILTRO PRIMARIO DE AIRE DEL MOTOR  
 MOTORNS PRIMAERLUFTFILTER

(E) FUEL FILTER  
 FILTRE A COMBUSTIBLE  
 KRAFTSTOFF-FILTER  
 FILTRO COMBUSTIBILE  
 FILTRO DE COMBUSTIBLE  
 BRANSLEFFILTER

(B) PRIMARY FUEL FILTER  
 FILTRE A COMBUSTIBLE PRIMAIRE  
 KRAFTSTOFFVORFILTER  
 FILTRO PRIMARIO DEL COMBUSTIBILE  
 FILTRO PRIMARIO DE COMBUSTIBLE  
 BRAENSLEFOERFILTER

(D) SECONDARY ENGINE AIR FILTER  
 FILTRE A AIR SECONDAIRE DU MOTEUR  
 MOTOR-LUFTHAUPTFILTER  
 FILTRO SECONDARIO DELL'ARIA MOTORE  
 FILTRO SECUNDARIO DE AIRE DEL MOTOR  
 MOTORNS SEKUNDAERLUFTFILTER

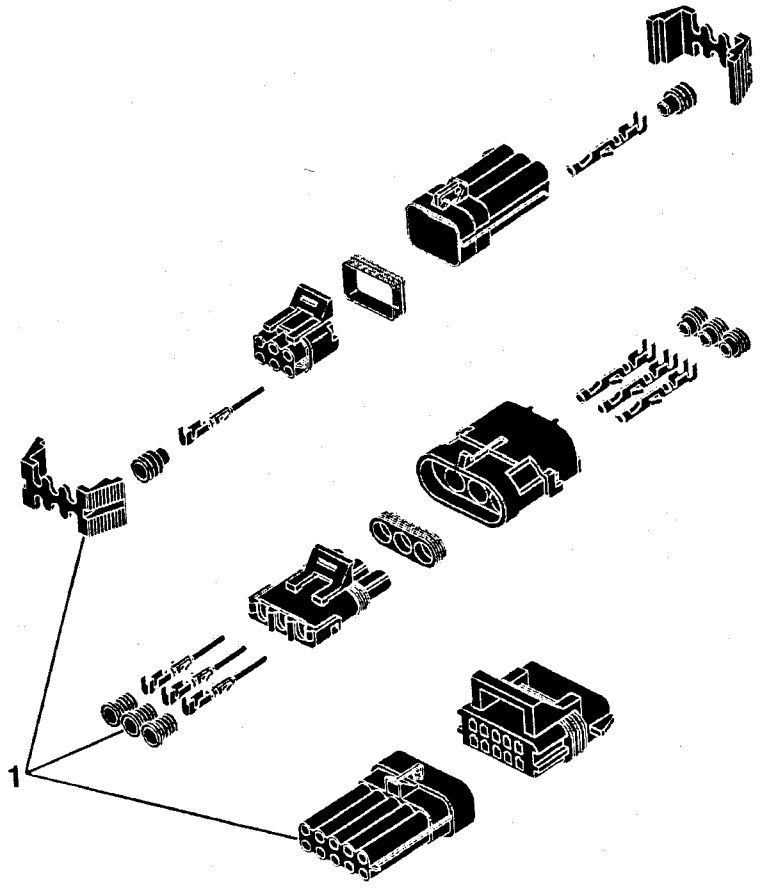
(F) ENGINE OIL FILTER  
 FILTRE A HUILE MOTEUR  
 MOTOROELFILTER  
 FILTRO OLIO MOTORE  
 FILTRO DE ACEITE DEL MOTOR  
 MOTOROLJEFILTER

# 40-A01

SECTIONAL INDEX  
INDEX DE SECTION  
GRUPPENINDEX  
INDICE DELLA SEZIONE  
INDICE DE SECCION  
GRUPPSFORTECKNING

RXA0081418 -UN-

1-	1
1-	2
1-	4
1-	6
1-	8
1-	9
1-	10



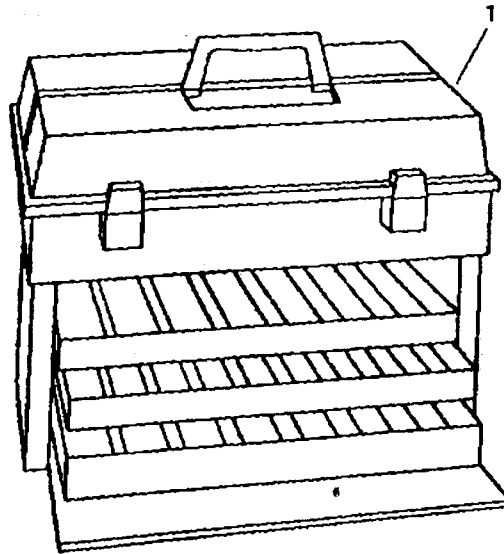
RXA0081418



MEMORANDA  
MEMORANDA  
MEMORANDA  
MEMORANDA  
MEMORANDA  
MEMORANDA

ELECTRICAL CONNECTOR AND TERMINAL KIT  
 JEU DE CONNECTEURS ELECTRIQUES ET DE BORNES  
 ELEKTROANSCHLUSS UND ANSCHLUSSKLEMMEN-TEILESATZ  
 KIT DI TERMINALI E CONNETTORI ELETTRICI  
 JUEGO DE CONECTORES Y BORNES ELECTRICOS  
 SATS MED ELEKTRISKA ANSLUTNINGAR OCH UTTAG

RXP010001 -UN-01JAN94



RXP010001

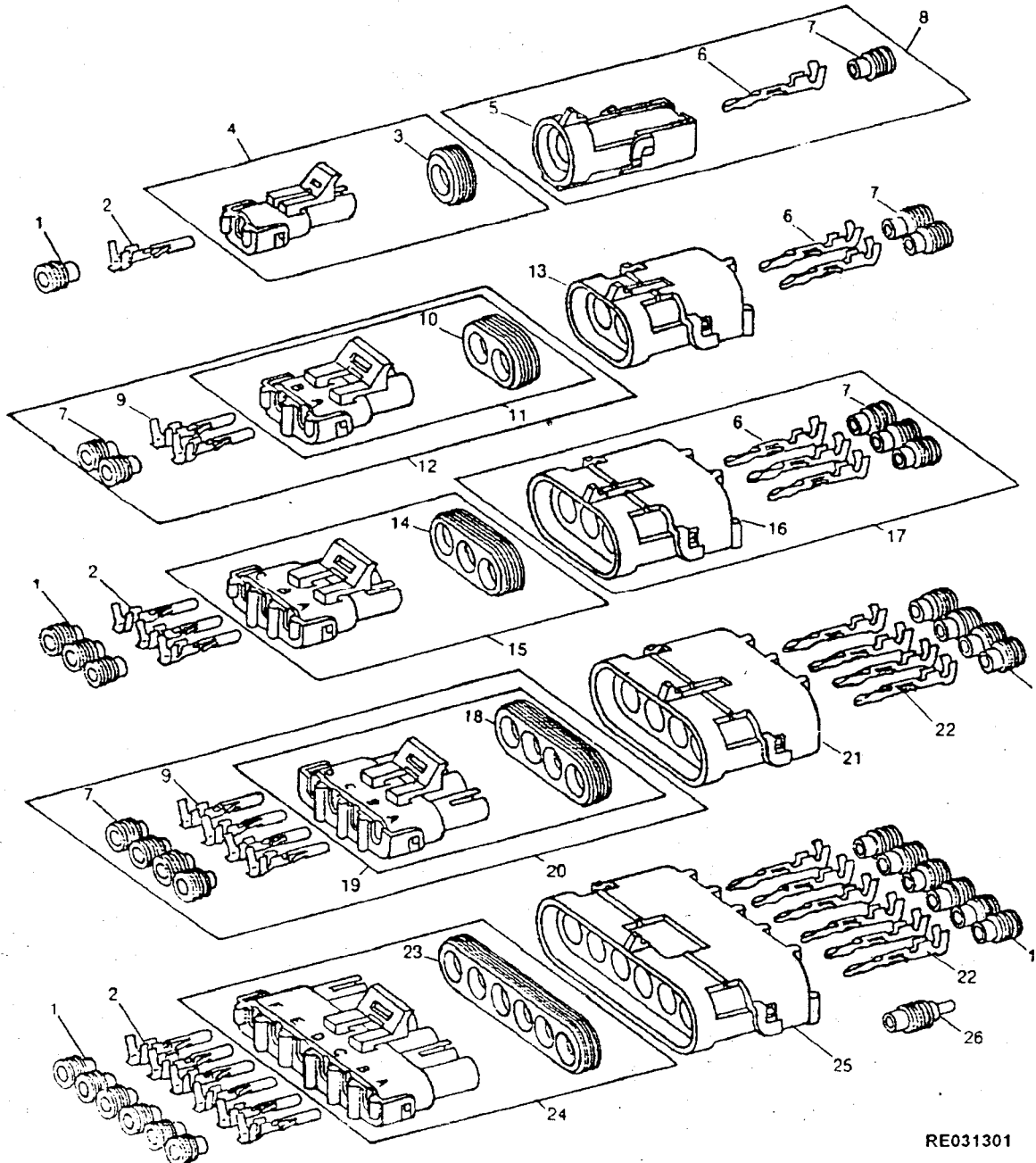
KEY	PART NO.	PART NAME	QTY.	TRACTOR SERIAL NO.	A L L	REMARKS
1	PM797NA	KIT	1			X (A) (SUB TY26194)

(A)KIT INCLUDES CONNECTORS,TERMINAL AND STORAGE TRAY  
 LE JEU COMPREND LES CONNECTEURS,LES BORNES RT LES BAC DE RANGEMENT  
 TEILESATZENTHAELTANSCHLUESSE,ANSCHLUSSKLEMMEN,UND ABLAGE  
 IL KIT COMPRENDE CONNECTORI,TERMINALI ED VASSOIO PORTAOGGETTI  
 EL JUEGO INCLUYS LOS CONECTORES,BORNES Y BANDEJA DE ALMACENAMIENTO  
 SATSEN INNEHAALLER ANSLUTNINGAR,UTTAG OCH FOERVARINGSLAADA

REFER TO ELECTRICAL CONNECTORS AND TERMINALS REF GUIDE(PI7148)  
 CONSULTER LE GUIDE DE REFERENCE DES CONNECTEURS ET BORNES ELECTRIQUES  
 SIEHE DAS REFERENZHANDBUCH UEBER ELEKTRISCHE STECKVERBINDER UND ANSCHLUSSKLEMMEN  
 CONSULTAR LA GUIDA DEI CONNETTORI E DEI TERMINALI ELETTRICI  
 CONSULTAR LA GUIA DE REFERENCIA DE CONECTORES Y BORNES ELECTRICOS  
 SE HANDLEDNINGEN SOM GAELLER ELANSLUTNINGSDON OCH UTTAG

WEATHERPACK TERMINALS AND CONNECTORS  
CONNECTEURS ET BORNES  
WETTERFEST STECKGEHAEUSE UND-ANSCHLUESSE  
COSSES ET CONNECTEURS WEATHERPACK  
WEATHERPACK ANSCHLUESSE  
MORSETTIE CONNETTORI TIPO WEATHERPACK

RE031301 -UN-03DEC99

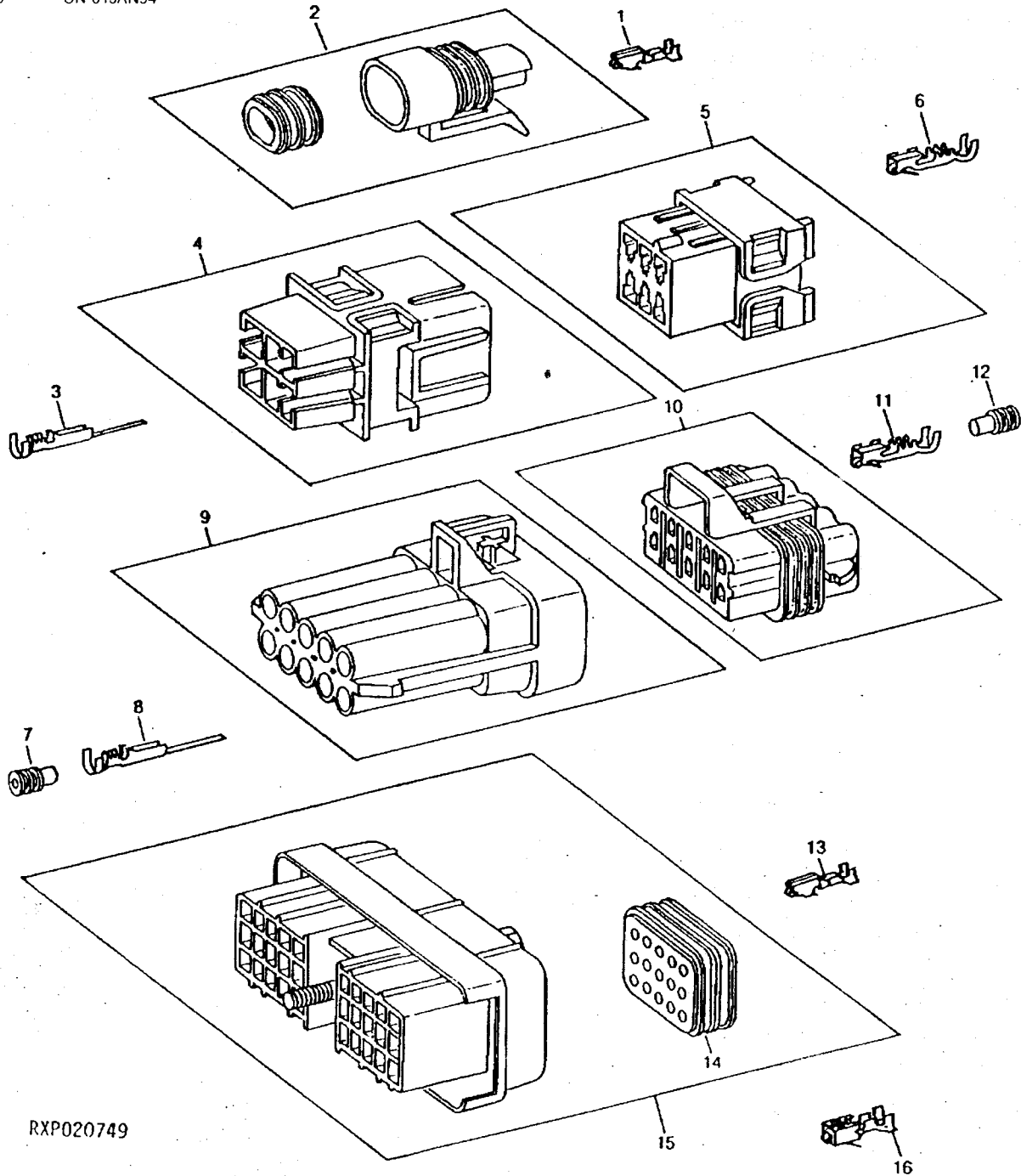


RE031301

KEY	PART NO.	PART NAME	QTY.	TRACTOR SERIAL NO.	A	REMARKS
					L	
1	R78063	ELEC. CONNECTOR SEAL	1		X	(16 GA.)
	R78059	ELEC. CONNECTOR SEAL	1		X	(18-20 GA.)
	R78062	ELEC. CONNECTOR ACCESSORY	1		X	(14 GA.)
2	R78057	ELEC. CONNECTOR TERMINAL	1		X	(18-20 GA.) (NO.19)
	R78060	ELEC. CONNECTOR TERMINAL	1		X	(14-16 GA.) (NO.15)
3	R78047	SEAL	1		X	
4	RE12362	ELECTRICAL CONNECTOR ASSY	1		X	
5	R78052	ELECTRICAL CONNECTOR ASSY	1		X	
6	R78061	ELEC. CONNECTOR TERMINAL	1		X	(14-16 GA.) (NO.15)
7	R78063	ELEC. CONNECTOR SEAL	1		X	(16 GA.)
8	RE12334	ELECTRICAL CONNECTOR ASSY	1		X	
9	R78060	ELEC. CONNECTOR TERMINAL	1		X	(14-16 GA.) (NO.15)
10	R78048	ELEC. CONNECTOR ACCESSORY	1		X	
11	RE12363	ELECTRICAL CONNECTOR ASSY	1		X	
12	RE12363	ELECTRICAL CONNECTOR ASSY	1		X	(ALSO ORDER (2) R78060 AND (2) R78063)
13	R78053	ELECTRICAL CONNECTOR ASSY	1		X	
14	R78049	SEAL	1		X	
15	RE12364	ELECTRICAL CONNECTOR ASSY	1		X	
16	R78054	ELECTRICAL CONNECTOR ASSY	1		X	
17	RE12332	ELECTRICAL CONNECTOR ASSY	1		X	
18	R78050	SEAL	1		X	
19	RE12365	ELECTRICAL CONNECTOR ASSY	1		X	
20	RE12333	ELECTRICAL CONNECTOR ASSY	1		X	
21	R78055	ELECTRICAL CONNECTOR ASSY	1		X	
22	R78061	ELEC. CONNECTOR TERMINAL	1		X	(14-16 GA.) (NO.15)
	R78058	ELEC. CONNECTOR TERMINAL	1		X	(18-20 GA.) (NO.19)
23	R78051	SEAL	1		X	
24	RE12366	ELECTRICAL CONNECTOR ASSY	1		X	
25	R78056	ELECTRICAL CONNECTOR ASSY	1		X	
26	R78064	ELEC. CONNECTOR CAVITY PLUG	1		X	

METRI-PACK TERMINAL AND CONNECTORS  
 COSSES ET CONNECTEURS METRI-PACK  
 METRI-PACKANSCHLUSSE UND VERBINDER  
 MORSETTI METRI-PACK E COLLEGAMENTI ELETTRICI  
 TERMINALES Y CONECTORES METRI-PACK  
 METRI-PACK ANSLUTNINGSDON OCH KONTAKTER

RXP020749 -UN-01JAN94



RXP020749

THIS PARTS LISTING IS CONTINUED

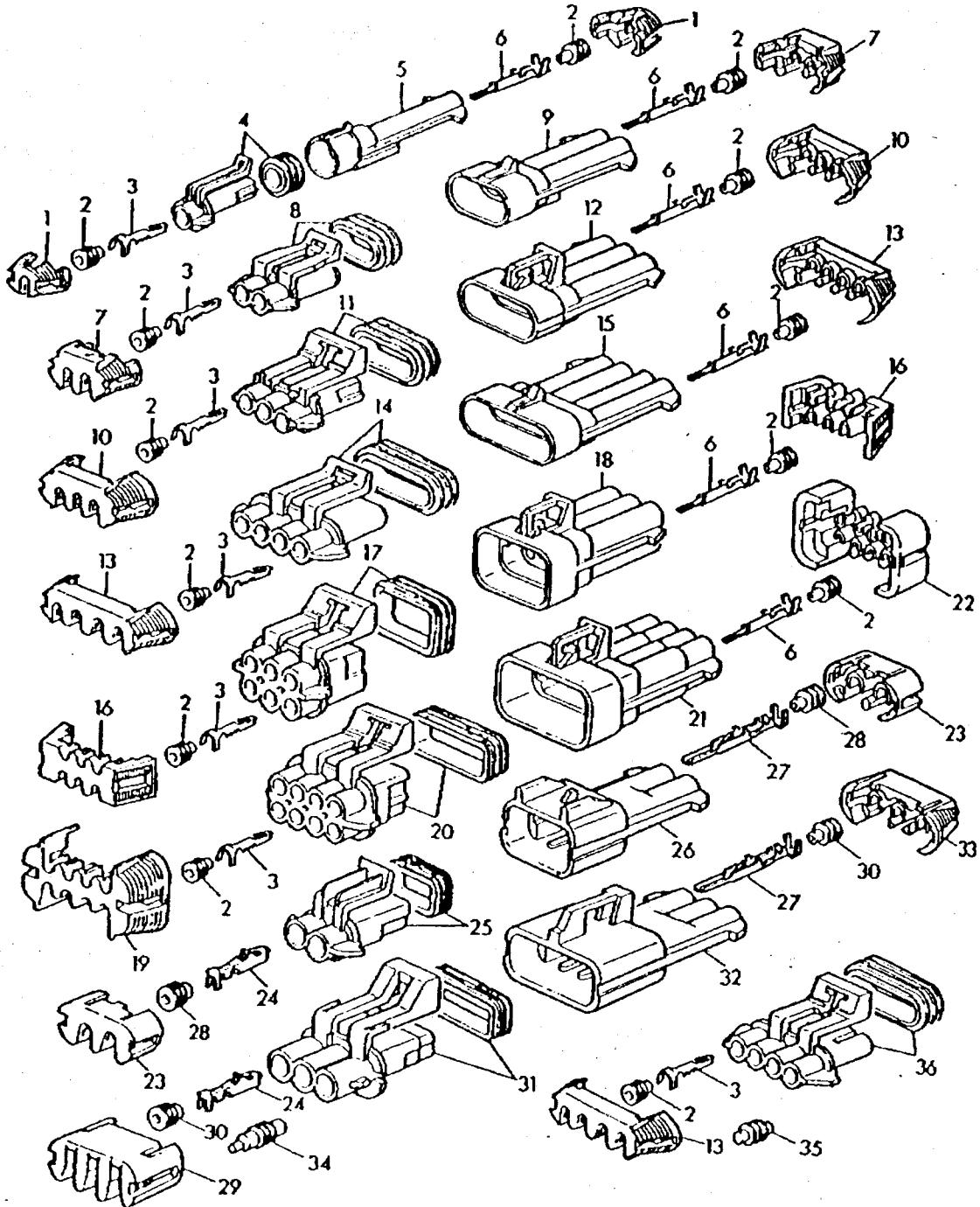
# 40-5

## ELECTRICAL CONNECTORS

KEY	PART NO.	PART NAME	QTY.	TRACTOR SERIAL NO.	A L L	REMARKS
1	R104701	ELEC. CONNECTOR TERMINAL	1		X	(14-16 GA.)
2	57M7278	ELECTRICAL CONNECTOR ASSY	1		X	
3	R104923	ELEC. CONNECTOR TERMINAL	1		X	(14-16 GA.)
4	R104920	ELECTRICAL CONNECTOR ASSY	1		X	
5	R104922	ELECTRICAL CONNECTOR ASSY	1		X	
6	R104921	ELEC. CONNECTOR TERMINAL	1		X	(14-16 GA.)
7	R78063	ELEC. CONNECTOR SEAL	1		X	(16 GA.)
8	R104919	ELEC. CONNECTOR TERMINAL	1		X	(18 GA.)
9	57M7265	ELEC. CONNECTOR HOUSING	1		X	
10	57M7262	ELEC. CONNECTOR HOUSING	1		X	
11	R104846	ELEC. CONNECTOR TERMINAL	1		X	(16 GA.)
12	R78063	ELEC. CONNECTOR SEAL	1		X	(16 GA.)
13	R104701	ELEC. CONNECTOR TERMINAL	1		X	(14-16 GA.)
14	R104700	ELEC. CONNECTOR SEAL	1		X	
15	RE41949	ELECTRICAL CONNECTOR ASSY	1		X	
16	R104936	ELEC. CONNECTOR TERMINAL	1		X	(14-16 GA.)
	R104937	ELEC. CONNECTOR TERMINAL	1		X	(18 GA.)
	R104938	ELEC. CONNECTOR TERMINAL	1		X	(12 GA.)

METRI-PACK TERMINALS AND CONNECTORS  
COSSES ET CONNECTEURS METRI-PACK  
METRI-PACKANSCHLUSSE UND VERBINDER  
MORSETTI METRI-PACK E COLLEGAMENTI ELETTRICI  
TERMINALES Y CONECTORES METRI-PACK  
METRI-PACK ANSLUTNINGSDON OCH KONTAKTER

RXP011000 -UN-01JAN94



RXP011000

# 40-7

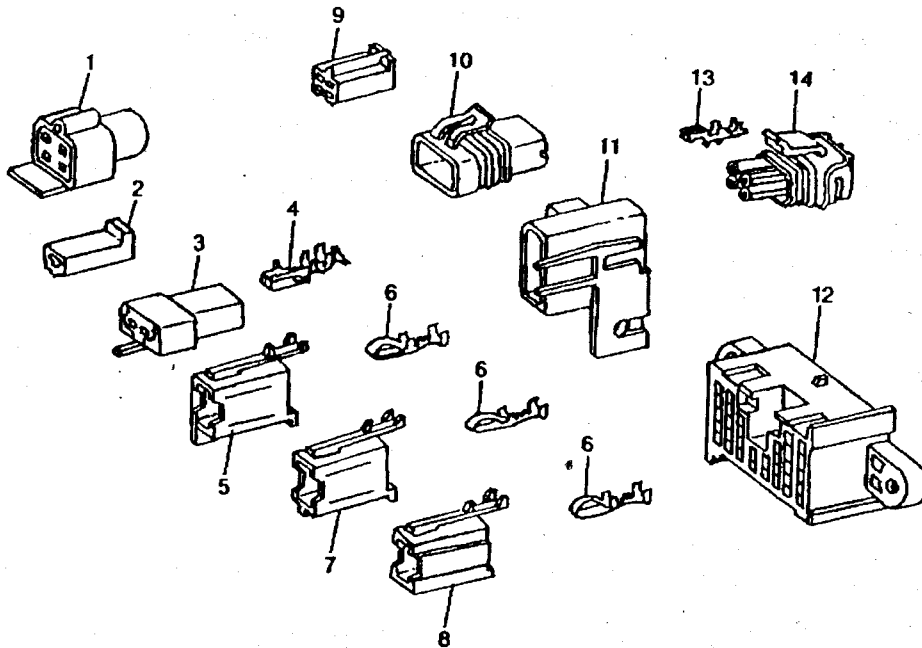
## ELECTRICAL CONNECTORS

KEY	PART NO.	PART NAME	QTY.	TRACTOR SERIAL NO.	A	REMARKS
					L	
1	57M7315	ELEC. CONNECTOR ACCESSORY	1		X	
2	57M7258	ELEC. CONNECTOR ACCESSORY	AR		X	
3	R104846	ELEC. CONNECTOR TERMINAL	AR		X	(16 GA.)
4	57M7266	ELECTRICAL CONNECTOR ASSY	1		X	
5	57M7267	ELEC. CONNECTOR HOUSING	1		X	
6	R104919	ELEC. CONNECTOR TERMINAL	AR		X	(18 GA.)
7	57M7316	CONNECTOR	1		X	
8	57M7254	ELECTRICAL CONNECTOR ASSY	1		X	
9	57M7256	ELECTRICAL CONNECTOR ASSY	1		X	
10	57M7317	ELEC. CONNECTOR ACCESSORY	1		X	
11	57M7255	ELEC. CONNECTOR TERMINAL	1		X	
12	57M7257	ELEC. CONNECTOR HOUSING	1		X	
13	57M7318	ELEC. CONNECTOR ACCESSORY	1		X	
14	57M7247	ELEC. CONNECTOR HOUSING	1		X	
15	57M7244	ELEC. CONNECTOR TERMINAL	1		X	
16	57M7291	ELECTRICAL CONNECTOR ASSY	1		X	
17	57M7260	ELEC. CONNECTOR HOUSING	1		X	
18	57M7263	ELEC. CONNECTOR HOUSING	1		X	
19	57M7296	ELEC. CONNECTOR ACCESSORY	1		X	
20	57M7261	ELEC. CONNECTOR HOUSING	1		X	
21	57M7264	ELEC. CONNECTOR HOUSING	1		X	
22	57M7283	ELECTRICAL CONNECTOR ASSY	1		X	
23	57M7306	ELECTRICAL CONNECTOR ASSY	1		X	
24	57M7298	ELEC. CONNECTOR TERMINAL	AR		X	(14-16 GA.)
	57M7299	ELEC. CONNECTOR TERMINAL	AR		X	(12 GA.)
25	57M7309	ELEC. CONNECTOR TERMINAL	1		X	
26	57M7304	ELECTRICAL CONNECTOR ASSY	1		X	
27	57M7286	ELEC. CONNECTOR TERMINAL	AR		X	(12 GA.)
	57M7277	ELEC. CONNECTOR TERMINAL	AR		X	(14-16 GA.)
28	R78063	ELEC. CONNECTOR SEAL	AR		X	
29	57M7274	ELEC. CONNECTOR ACCESSORY	1		X	
30	R78059	ELEC. CONNECTOR SEAL	AR		X	
31	57M7280	ELECTRICAL CONNECTOR ASSY	1		X	
32	57M7305	ELECTRICAL CONNECTOR ASSY	1		X	
33	57M7307	ELECTRICAL CONNECTOR ASSY	1		X	
34	R78064	ELEC. CONNECTOR CAVITY PLUG	AR		X	
35	57M7259	ELEC. CONNECTOR CAVITY PLUG	AR		X	
36	57M7364	ELEC. CONNECTOR HOUSING	1		X	



ELECTRICAL CONNECTORS AND TERMINALS  
 CONNECTEURS ET COSSES ELECTRIQUES  
 ELEKTROSTECKER UND ANSCHLUSSKLEMMEN  
 COLLEGAMENTI E MORSETTI ELETTRICI  
 CONECTORES Y TERMINALES ELECTRICOS  
 ELEKTRISKA KOPPLINGAR OCH ANSLUTNINGAR

RXP8696 -UN-01JAN94



RXP8696

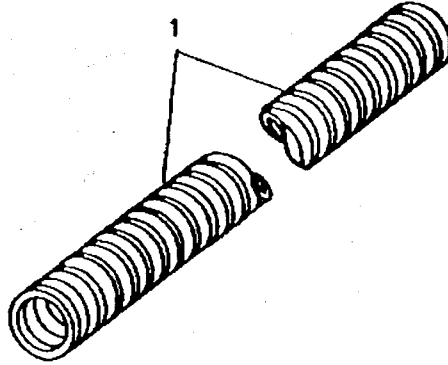
KEY	PART NO.	PART NAME	QTY.	TRACTOR SERIAL NO.	A L L	REMARKS
1	T24166	ELECTRICAL CONNECTOR ASSY	1			
2	R104926	ELECTRICAL CONNECTOR ASSY	1		X	
3	R104927	ELECTRICAL CONNECTOR ASSY	1		X	
4	R104928	ELEC. CONNECTOR TERMINAL	1		X	
5	R104929	ELECTRICAL CONNECTOR ASSY	1		X	(14-16 GA.)
6	R104932	ELEC. CONNECTOR TERMINAL	1		X	
7	R104930	ELECTRICAL CONNECTOR ASSY	1		X	(18-20 GA.)
8	R104931	ELECTRICAL CONNECTOR ASSY	1		X	
9	T24167	ELECTRICAL CONNECTOR ASSY	1		X	
10	R104570	ELECTRICAL CONNECTOR ASSY	1		X	
11	R104572	CAP	1		X	
12	R104934	ELECTRICAL CONNECTOR ASSY	1		X	
13	R104571	ELEC. CONNECTOR TERMINAL	1		X	(12 GA.)
14	R104933	ELEC. CONNECTOR TERMINAL	1		X	(14-16 GA.)
	RE42193	ELECTRICAL CONNECTOR ASSY	1		X	

# 40-10

ELECTRICAL CONNECTORS

CONDUIT  
 GAINE DE TUBULAIRE  
 ISOLIER SCHLAUCH  
 GUAINA TUBOLARE  
 VAINA  
 SKYDDSRÖER

RXP010999 -UN-01JAN94

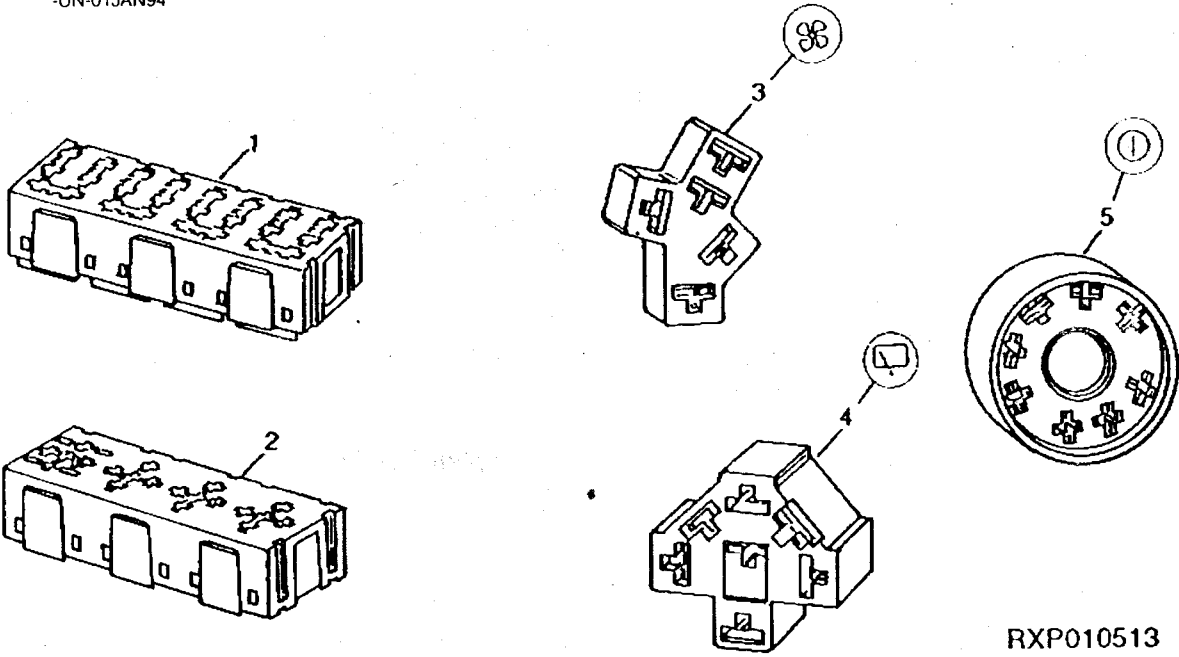


RXP010999

KEY	PART NO.	PART NAME	QTY.	TRACTOR SERIAL NO.	A L L	REMARKS
1	R93219	CONDUIT	1			X 6.3 X 3048 MM(1/4" X 120")
	R93220	CONDUIT	1			X 10.4 X 3048 MM(13/32" X 120")
	R93221	CONDUIT	1			X 15.9 X 3048 MM(5/8" X 120")
	R93222	CONDUIT	1			X 25.4 X 3048 MM(1" X 120")

ELECTRICAL CONNECTORS  
 CONNEXTEURS ELECTRIQUES  
 ELEKTRISCHE ANSCHLUESSE  
 CONNEXTORI ELETTRICI  
 CONECTORES ELECTRICOS  
 ELKOPPLINGAR

RXP010513 -UN-01JAN94



RXP010513

KEY	PART NO.	PART NAME	QTY.	TRACTOR SERIAL NO.	A L L	REMARKS
1	RE43737	ELEC. CONNECTOR ACCESSORY	4		X (A)	
2	RE49724	ELEC. CONNECTOR ACCESSORY	8		X (B)	
3	RE46734	ELECTRICAL CONNECTOR ASSY	1		X	
4	RE46735	ELECTRICAL CONNECTOR ASSY	1		X	
5	RE46736	ELECTRICAL CONNECTOR ASSY	1		X	

(A) FUSE  
 FUSIBLE  
 SICHERUNG  
 FUSIBILE  
 FUSIBLE  
 SAEKRING

(B) RELAYS  
 RELAIS  
 RELAIS  
 RELE'  
 RELE  
 RELAE

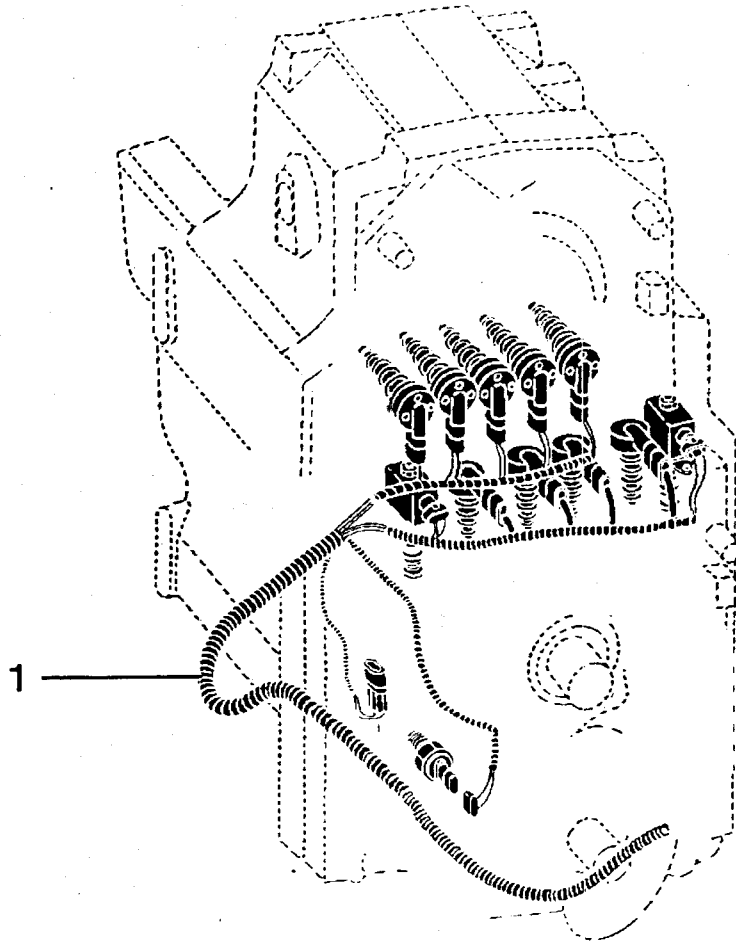
# 41-A01

ENGINE AND CHASSIS WIRING HARNESS

SECTIONAL INDEX  
INDEX DE SECTION  
GRUPPENINDEX  
INDICE DELLA SEZIONE  
INDICE DE SECCION  
GRUPPSFORTECKNING

RXA0081877 -UN-

1- 2



RXA0081877

# 41-A02

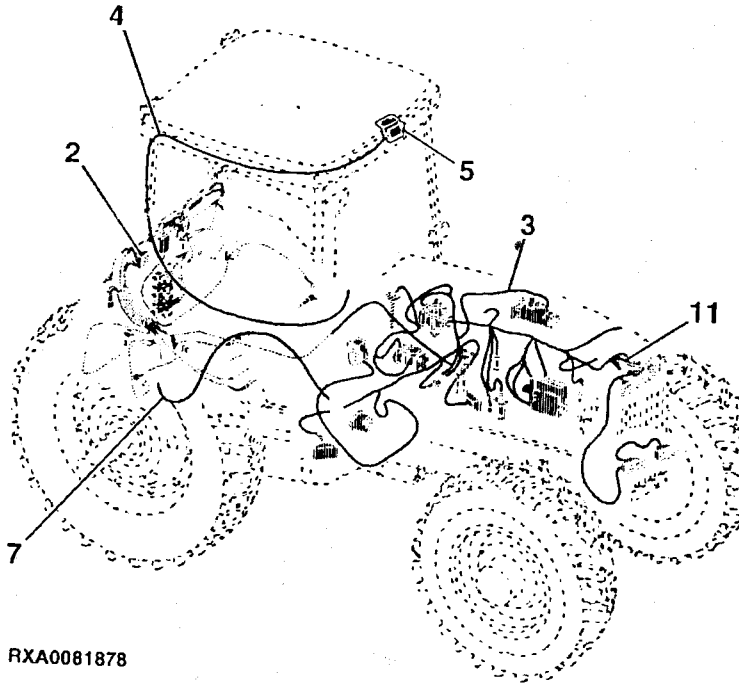
ENGINE AND CHASSIS WIRING HARNESS

SECTIONAL INDEX  
INDEX DE SECTION  
GRUPPENINDEX  
INDICE DELLA SEZIONE  
INDICE DE SECCION  
GRUPPSFORTECKNING

RXA0081878

-UN-

2-	4
3-	6
4-	8
5-	10
7-	12
11-	17



RXA0081878

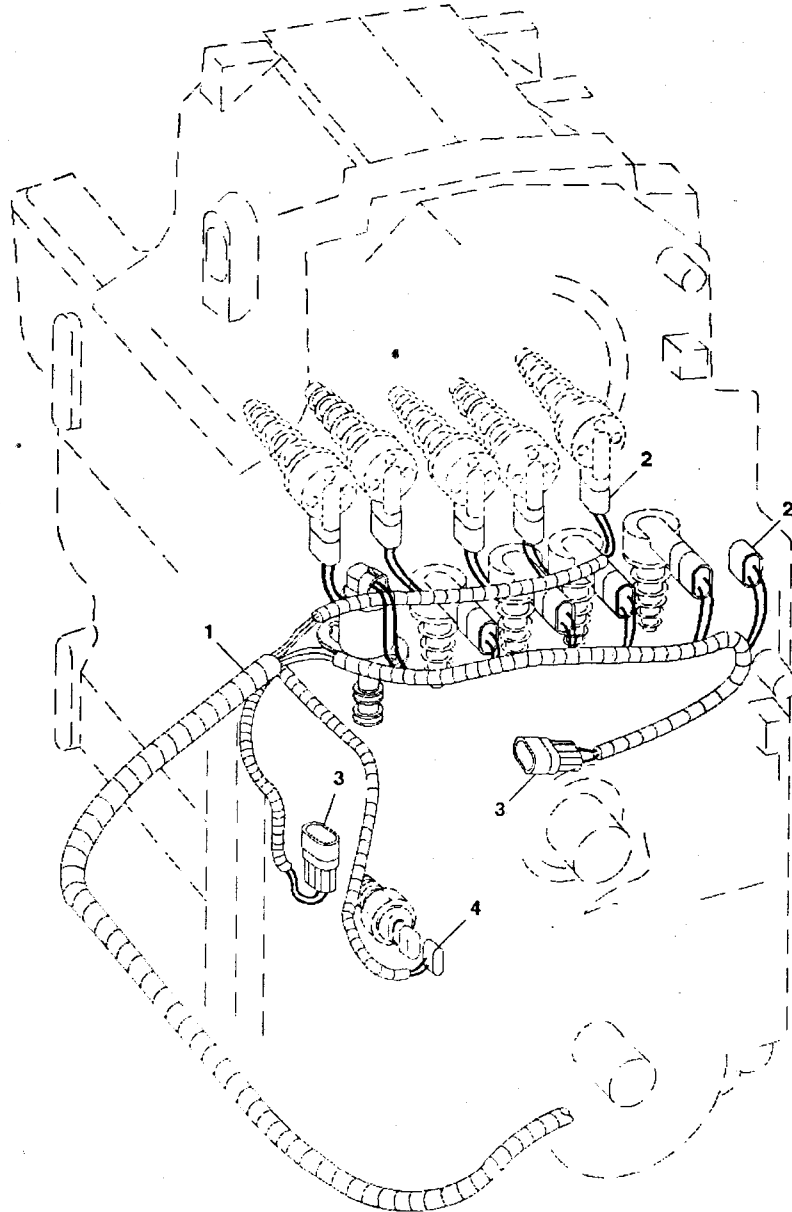
MEMORANDA  
MEMORANDA  
MEMORANDA  
MEMORANDA  
MEMORANDA

# 41-2

ENGINE AND CHASSIS WIRING HARNESS

WIRING HARNESS (TRANSMISSION)  
FAISCEAU DE CABLES (BOITE DE VITESSES)  
KABELBAUM (GETRIEBE)  
CABLAGGIO (TRASMISSIONE)  
GRUPO DE CABLES (TRANSMISION)  
KABELHAERVA (KRAFTOEVERFOERING)

RXA0081630 -UN-20JUN05



RXA0081630

# 41-3

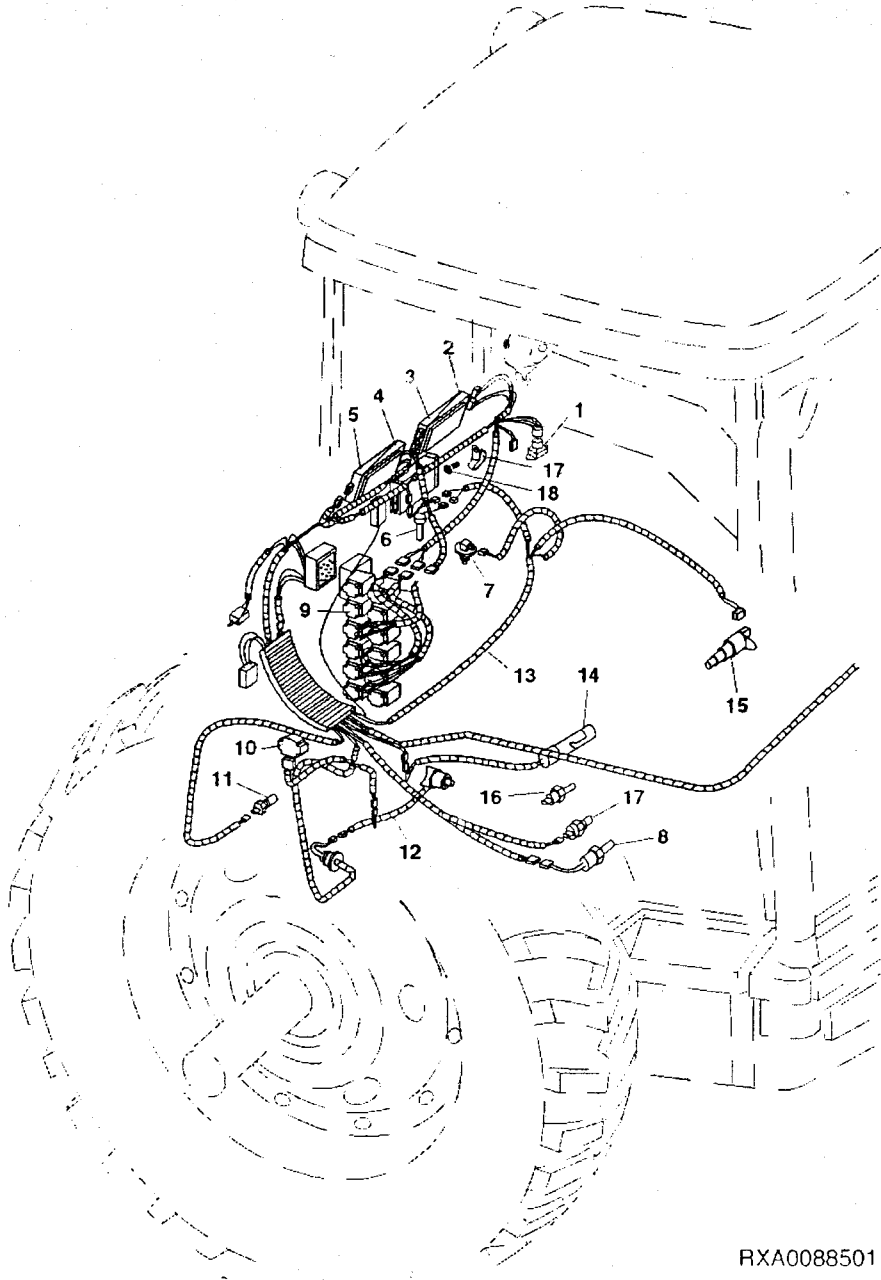
## ENGINE AND CHASSIS WIRING HARNESS

KEY	PART NO.	PART NAME	QTY.	TRANSMISSION SERIAL NO.	A L L	REMARKS
1	RE211489	CHASSIS WIRING HARNESS	1		X	(SUB RE250957)
2	57M7850	ELEC. CONNECTOR HOUSING	11		X	
3	57M7796	ELEC. CONNECTOR TERMINAL	2		X	
4	57M7328	ELEC. CONNECTOR HOUSING	1		X	
	57M7289	ELEC. CONNECTOR ACCESSORY	1		X	



WIRING HARNESS (ENGINE AND CHASSIS)  
FAISCEAU DE FILS (MOTEUR ET CHASSIS)  
KABELBAUM (MOTOR UND CHASSIS)  
CABLAGGIO (MOTORE E TELAI)  
GRUPO DE CABLES (MOTOR Y CHASIS)  
KABELHAERVA (MOTOR OCH CHASSI)

RXA0088501 -UN-



RXA0088501

KEY	PART NO.	PART NAME	QTY.	TRACTOR		REMARKS
				SERIAL NO.	A L L	
1	RE207311	ELECTRONIC TERMINATOR	1		X	
2	RE219046	ELECTRONIC CONTROL UNIT	1		X (HCU/SCU-1,2,3,4 SCV) (ILS)	
3	RE219046	ELECTRONIC CONTROL UNIT	1		X (H) (5 SCV)	
	RE231325	HITCH AND SCV CONTROLLER	1		X (H) (I) (J) (5 SCV) (IVT)(50K)	
4	RE520953	ENGINE CONTROLLER	1		X (ECU)	
5	RE245262	VEHICLE CONTROLLER	1		X (PST) (PTP)	
	RE245257	VEHICLE CONTROLLER	1		X (SUB RE247827) (IVT) (PTI)	
6	RE196310	SENSOR	2		X (PST)	
	RE204888	SENSOR	2		X (IVT)	
7	RE211157	SOLENOID VALVE	1		X	
	R211082	CLAMP	1		X	
8	RE213144	SENSOR	1		X (G)	
9	RE52722	SENSOR	1		X (A)	
10	RE232603	SENSOR	1		X	
11	RE519144	SENSOR	1		X (B) (C)	
12	RE228737	HITCH DRAFT SENSOR	1		X (SUB RE43738)	
13	RE250958	CHASSIS WIRING HARNESS	1		X (MFWD, 2WD)	
	RE250959	CHASSIS WIRING HARNESS	1		X (ILS)	
14	RE55516	SWITCH	1		X (E)	
15	RE203830	VALVE	1		X (D)	
16	RE519144	SENSOR	1		X (F)	
17	R124804	CLAMP	1		X	
18	R216838	SCREW	1		X	
	R44302	TIE BAND	1		X	

(A) HYDRAULIC OIL TEMPERATURE  
TEMPERATURE D'HUILE HYDRAULIQUE  
HYDRAULIKOELTEMPERATUR  
TEMPERATURA DELL'OLIO IDRAULICO  
TEMPERATURA DEL ACEITE HIDRAULICO  
HYDRAULOLJETEMPERATUR

(B) REAR PTO SPEED  
REGIME DE PDF ARRIERE  
DREHZAHL DER HINTEREN ZAPFWELLE  
VELOCITA'DELLA PTO POSTERIORE  
VELOCIDAD DE LA TRASERA  
VARVTAL,BAKRE KRAFTUTTAG

(C) OPTIONAL PTO  
PDF EN OPTION  
ZUSATZ-ZAPFWELLE  
PTO OPZIONALE  
TDF OPCIONAL  
ALTERNATIVT KRAFTUTTAG

(D) REAR PTO  
PDF ARRIERE  
HINTERE ZAPFWELLE  
PTO POSTERIORE  
TDF TRASERA  
BAKRE KRAFTUTTAG

(E) CLEAN OIL LEVEL RESERVOIR  
RESERVOIR,NIVEAU D'HUILE PROPRE  
BEHAELTER,OEELSTAND,SAUBER  
SERBATOIO,LIVELLO DELL'OLIO PULITO  
DEPOSITO,NIVEL DE ACEITE LIMPIO  
BEHALLARE,REN OLJENIVAA

(F) STANDARD PTO  
PDF STANDARD  
STANDARD-ZAPFWELLE  
PTO STANDARD  
TDF NORMAL  
STANDARDKRAFTUTTAG

(G) HYDRAULIC OIL FILTER RESTRICTION  
COLMATAGE DU FILTRE A HUILE HYDRAULIQUE  
HYDRAULIKOELFILTERVERSTOPFUNG  
OSTRUZIONE DEL FILTRO DELL'OLIO IDRAULICO  
RESTRICCION DE FILTRO DE ACEITE HIDRAULICO  
HYDRAULOLJEFILTERIGENSAETTNING

(H) FRONT HITCH  
ATTELAGE AVANT  
FRONTANHAENGEVORRICHTUNG  
GANCIO ANTERIORE  
ENGANCHE DELANTERO  
FRAEMRE DRAG

(I) INDEPENDENT LINK SUSPENSION  
SUSPENSION A BRAS INDEPENDANTS  
EINZELRADAUFHAENGUNG  
SOSPENSIONE AD ARTICOLAZIONE INDIPENDENTE  
SUSPENSION DE BRAZO INDEPENDIENTE  
SEPARAT LAENKUPPHAENGNING

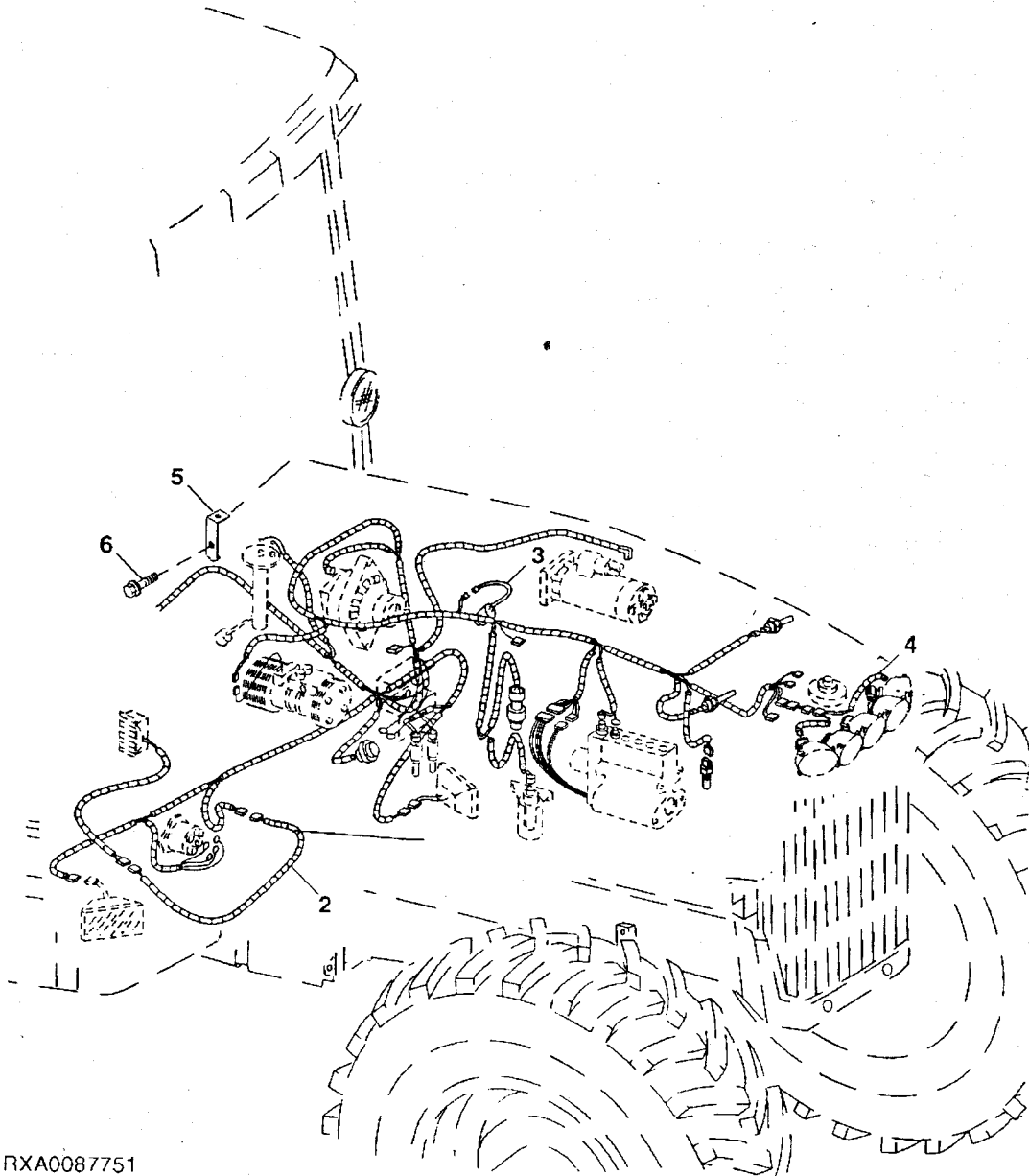
(J) EUROPEAN VERSION  
VERSION EUROPEENNE  
EUROPAEISCHE AUSFUEHRUNG  
VERSIONE EUROPEA  
VERSION EUROPEA  
EUROPEISK VERSION

# 41-6

ENGINE AND CHASSIS WIRING HARNESS

WIRING HARNESS (ENGINE AND CHASSIS)  
FAISCEAU DE FILS (MOTEUR ET CHASSIS)  
KABELBAUM (MOTOR UND CHASSIS)  
CABLAGGIO (MOTORE E TELAIO)  
GRUPO DE CABLES (MOTOR Y CHASIS)  
KABELHAERVA (MOTOR OCH CHASSI)

RXA0087751 -UN-15MAR06



RXA0087751

# 41-7

## ENGINE AND CHASSIS WIRING HARNESS

KEY	PART NO.	PART NAME	QTY.	TRACTOR SERIAL NO.	A L L	REMARKS
1	RE211488	CHASSIS WIRING HARNESS	1		X	(SUB RE250954) (IVT)
	RE211490	CHASSIS WIRING HARNESS	1		X	(SUB RE250958) (MFWD)
	RE211491	CHASSIS WIRING HARNESS	1		X	(A) (SUB RE250959)
	RE246041	CHASSIS WIRING HARNESS	1		X	(A) (B) (IVT) (50K)
2	RE52645	WIRING HARNESS	1		X	
3	RE219835	AIR RESTRICTION SENSOR	1		X	
4	RE216331	HEADLAMP WIRING HARNESS	1		X	
5	R243911	BRACKET	1		X	
6	RE524730	CAP SCREW	1		X	

(A) INDEPENDENT LINK SUSPENSION  
 SUSPENSION A BRAS INDEPENDANTS  
 EINZELRADAUFHAENGUNG  
 SOSPENSIONE AD ARTICOLAZIONE INDIPIENDETE  
 SUSPENSION DE BRAZO INDEPENDIENTE  
 SEPARAT LAENKUPPHAENGNING

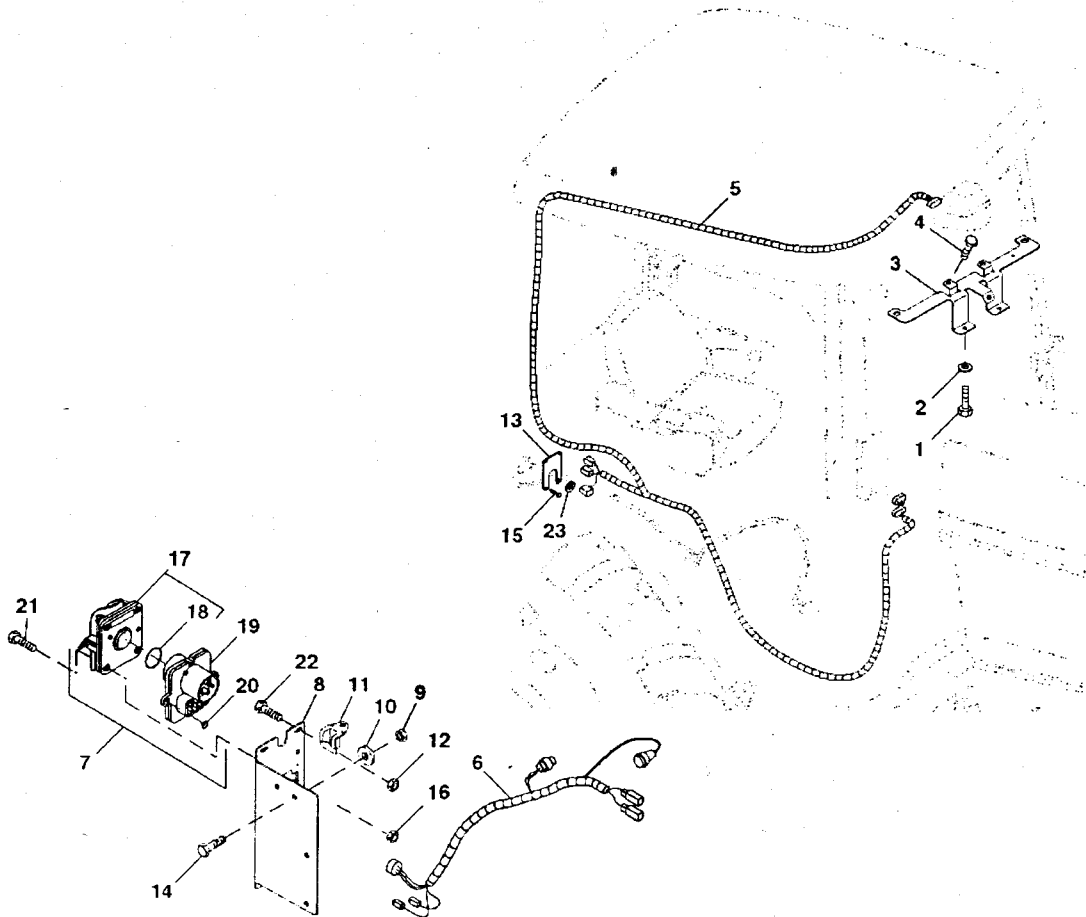
(B) EUROPEAN VERSION  
 VERSION EUROPEENNE  
 EUROPAEISCHE AUSFUEHRUNG  
 VERSIONE EUROPEA  
 VERSION EUROPEA  
 EUROPEISK VERSION

# 41-8

## ENGINE AND CHASSIS WIRING HARNESS

WIRING HARNESS (CAB) GREENSTAR  
FAISCHEAU DE CABLES (CABINE) GREENSTAR  
KABELBAUM (FAHRERKABINE) GREENSTAR  
CABLAGGIO (CABINA) GREENSTAR  
GRUPO DE CABLES (CABINA) GREENSTAR  
KABELHAERVA (HYTT) GREENSTAR

RXA0080532 -UN-05AUG05



RXA0080532

## 41-9

## ENGINE AND CHASSIS WIRING HARNESS

KEY	PART NO.	PART NAME	QTY.	TRACTOR SERIAL NO.	A L L	REMARKS
1	R117569	SCREW	4		X	
2	24M7100	WASHER	4		X	6.600 X 22 X 2 MM
3	RE220821	BRACKET	1		X	
4	19M7866	SCREW	3		X	M8 X 20, HS 10.9
5	RE216209	CAB WIRING HARNESS	1		X	
6	RE220740	WIRING HARNESS	1		X	
7	RE208786	ELECTRICAL CONNECTOR ASSY	1		X	
8	R241922	BRACKET	1		X	
9	14M7274	NUT	4		X	M10
10	24M7346	WASHER	4		X	11 X 20 X 2 MM
11	L154171	CLIP	4		X	
12	14M7296	FLANGE NUT	2		X	M10
13	R130962	PLATE	1		X	
14	19M8600	CAP SCREW	2		X	M10 X 50
15	37M7033	SCREW	4		X	
16	14M7165	LOCK NUT	4		X	M6
17	RE201032	ELECTRICAL CONNECTOR CAP	1		X	
18	R201046	O-RING	1		X	
19	RE201033	MODULE	1		X	
20	R205342	PUSH NUT	2		X	
21	37M7122	SCREW	4		X	M6 X 12
22	19M7783	SCREW	2		X	M10 X 16
23	R118309	GROMMET	1		X	

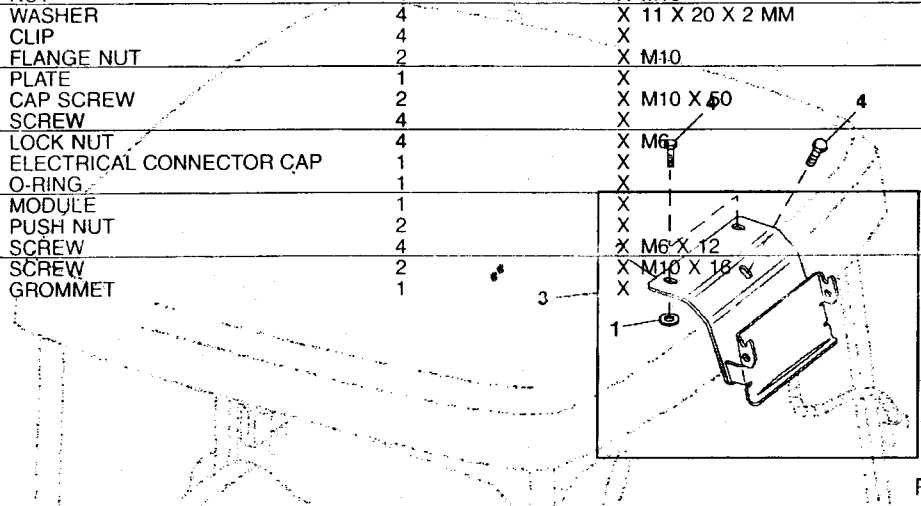
41-9  
41-10

ENGINE AND CHASSIS WIRING HARNESS

ENGINE AND CHASSIS WIRING HARNESS

**GREENSTAR RECEIVER BRACKET KIT**  
**KIT DE SUPPORT DE RECEPTEUR GREENSTAR**  
**GREENSTAR-EMPAENGERHALTERUNGSSATZ**  
**KIT STAFFA RICEVITORE GREENSTAR**  
**JUEGO DE ESCUADRA DE RECEPTOR GREENSTAR**  
**STAS MED FÄSTE FOER GREENSTAR-MOTTAGARE**

KEY	PART NO.	PART NAME	QTY.	TRACTOR SERIAL NO.	A L L	REMARKS
	R117589	SCREW	4		X	
	RXA0077250	24M7106 UN-27mm WASHER	4		X	6.600 X 22 X 2 MM
3	RE220821	BRACKET	1		X	
4	19M7866	SCREW	3		X	M8 X 20, HS 10.9
5	RE216209	CAB WIRING HARNESS	1		X	
6	RE220740	WIRING HARNESS	1		X	
7	RE208786	ELECTRICAL CONNECTOR ASSY	1		X	
8	R241922	BRACKET	1		X	
9	14M7274	NUT	4		X	M10
10	24M7346	WASHER	4		X	11 X 20 X 2 MM
11	L154171	CLIP	4		X	
12	14M7296	FLANGE NUT	2		X	M10
13	R130962	PLATE	1		X	
14	19M8600	CAP SCREW	2		X	M10 X 50
15	37M7033	SCREW	4		X	
16	14M7165	LOCK NUT	4		X	M6
17	RE201032	ELECTRICAL CONNECTOR CAP	1		X	
18	R201046	O-RING	1		X	
19	RE201033	MODULE	1		X	
20	R205342	PUSH NUT	2		X	
21	37M7122	SCREW	4		X	M6 X 12
22	19M7783	SCREW	2		X	M10 X 18
23	R118309	GROMMET	1		X	



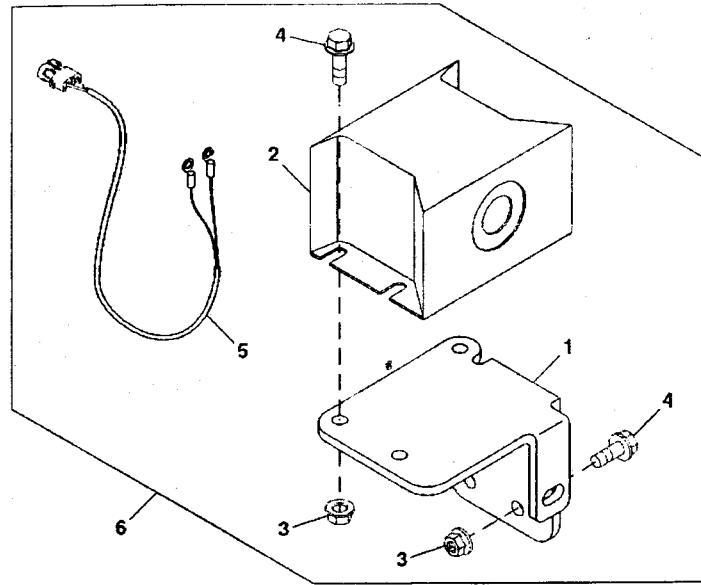
KEY	PART NO.	PART NAME	QTY.	TRACTOR SERIAL NO.	A L L	REMARKS
1	B32209	WASHER	3		X	9 X 22.500 X 2 MM
2	RE221797	BRACKET	1		X	
3	RE221798	FIELD INSTALLATION KIT	1		X	
4	19M8331	SCREW	3		X	M8 X 20 HS 10.9

# 41-13

ENGINE AND CHASSIS WIRING HARNESS

**BACK-UP ALARM KIT**  
**AVERTISSEUR DE MARCHE ARRIERE, JEU DE PIECES**  
**RUECKSTOSS-WARNANLAGE**  
**KIT DEL SEGNALATORE RETROMARCIA**  
**CONJUNTO DE ALAEMA DE RETROCESO**  
**BACKNINGSSIGNALSATS**

RXA0080091 -UN-04APR05



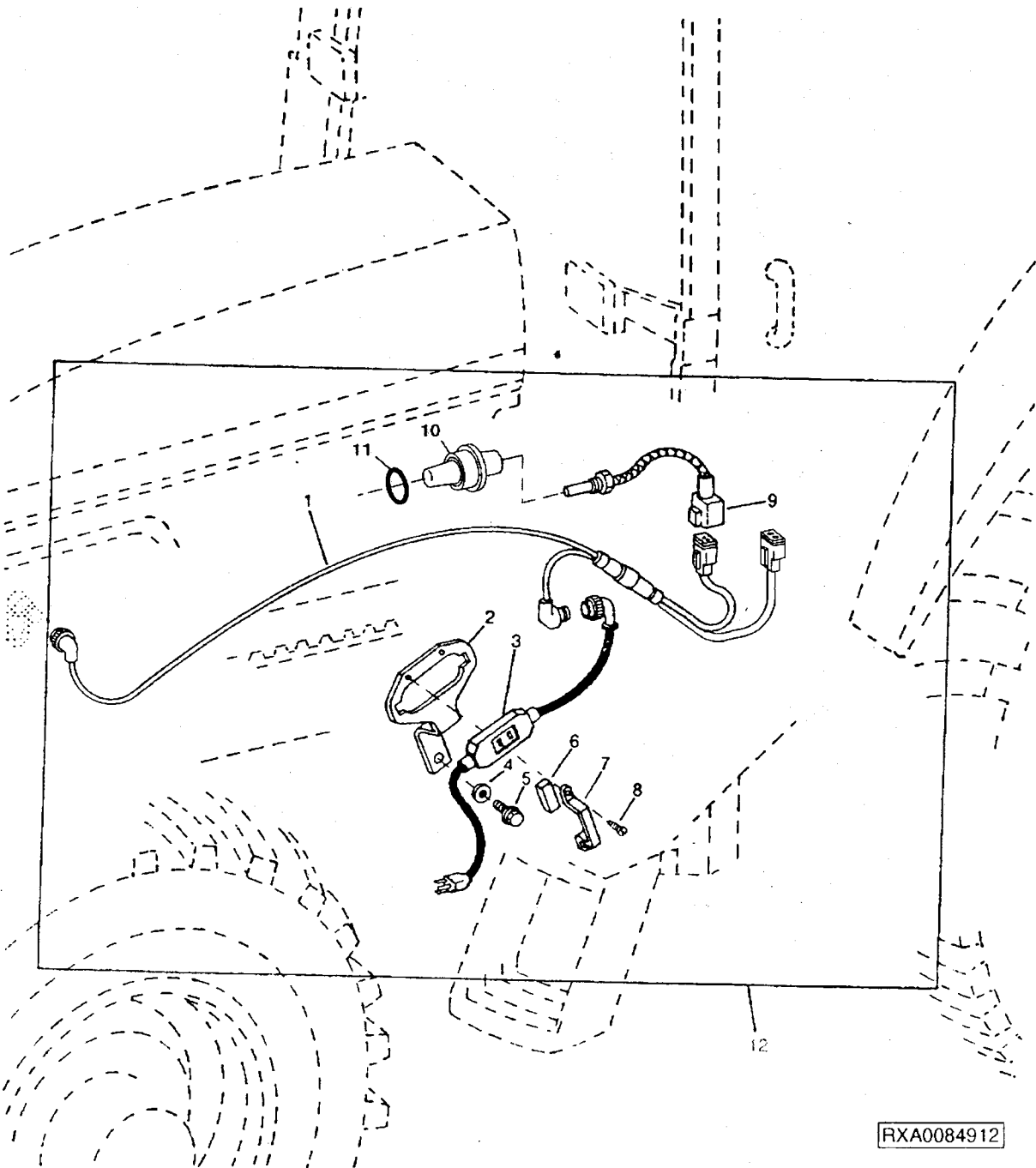
RXA0080091

KEY	PART NO.	PART NAME	QTY.	TRACTOR SERIAL NO.	A L L	REMARKS
1	R237275	BRACKET	1		X	
2	AT120461	TRAVEL WARNING ALARM	1		X	
3	14M7298	FLANGE NUT	5		X	M8
4	19M7865	SCREW	5		X	M8 X 16
5	RE239241	CHASSIS WIRING HARNESS	1		X	
6	RE224298	FIELD INSTALLATION KIT	1		X	



COLD WEATHER START KIT  
JEU D'AIDE AU DEMARRAGE PAR TEMPS FROID  
KALTSTART-BAUSATZ  
KIT AVVIAMENTO PER LA STAGIONE FREDDA  
CONJUNTO DE ARRANQUE PARA TIEMPO FRIO  
SATS FOER START I KALLT VAEDER

RXA0084912 -UN-09NOV05



RXA0084912

THIS PARTS LISTING IS CONTINUED

# 41-15

ENGINE AND CHASSIS WIRING HARNESS

KEY	PART NO.	PART NAME	QTY.	TRACTOR SERIAL NO.	A L L	REMARKS
1	RE55891	POWER CORD	1		X	
2	R122776	BRACKET	1		X	
3	RE153289	MODULE	1		X	
	R152283	LABEL	1		X	
4	24M7242	WASHER	1		X	21.400 X 42 X 5 MM
5	19M7946	CAP SCREW	1		X	M20 X 40, HS 10.9
6	R117260	ISOLATOR	2		X	
7	R117185	STRAP	2		X	
8	37M7089	SCREW	4		X	M6 X 12
9	RE61760	HEATER	2		X	(A)
10	R114108	PLUG	1		X	(A)
11	H63262	O-RING	1		X	(A) 2.237" X 0.103"
12	AR254653	FIELD INSTALLATION KIT	1		X	

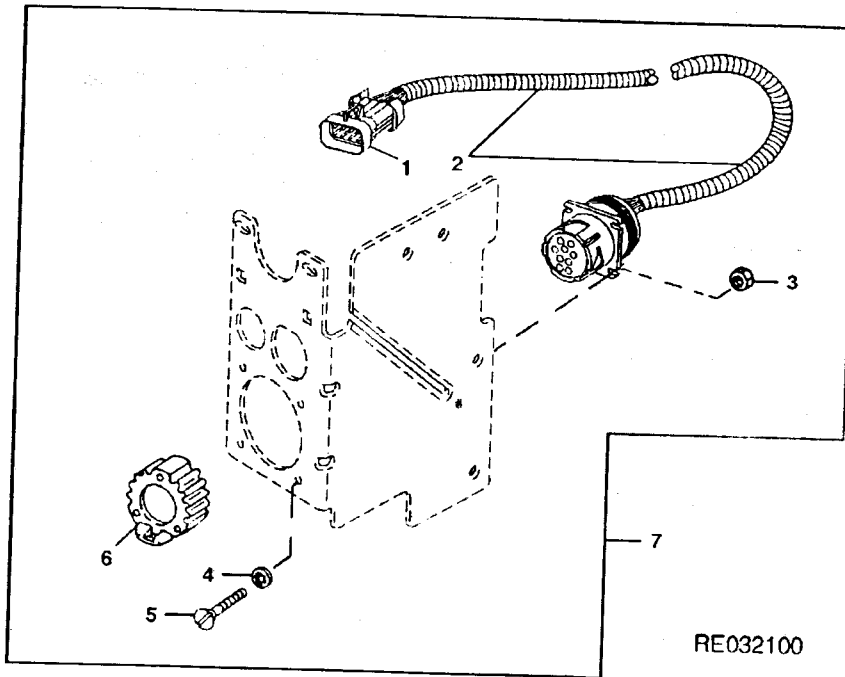
(A) TRANSMISSION  
BOITE DE VITESSES  
GETRIEBE  
TRANSMISSIONE  
TRANSMISSION  
KRAFTOEVERFOERING

# 41-16

ENGINE AND CHASSIS WIRING HARNESS

9-PIN IMPLEMENT FEEDBACK CONNECTOR  
 CONNECTEUR DE REACTION D'OUTIL A NEUF BROCHES  
 NEUNFACH-ANBAUGERAET-REGELUNGSSTECKER  
 CONNETTORE A 9 CONTATTI DI SEGNALAZIONE DELL'ATTREZZO  
 CONECTOR DE NUEVE CLAVIJAS DE REALIMENTACION DEL IMPLEMENTO  
 NIO-STIFTANSLUTNING FOER REDSKAPSRESPONS

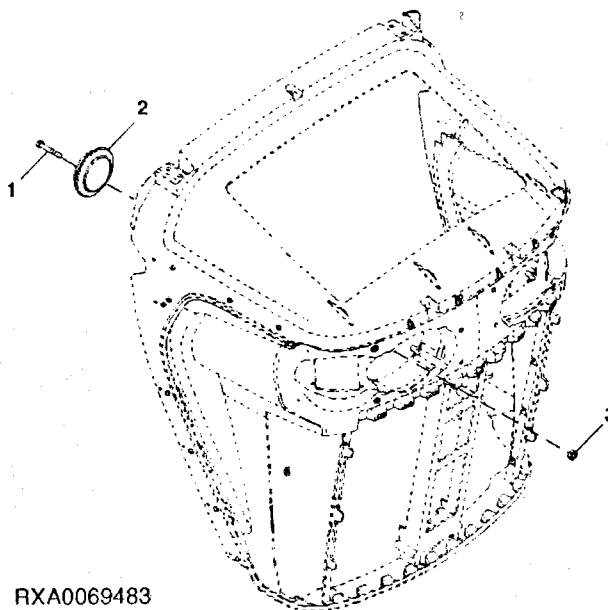
RE032100 -UN-11SEP00



KEY	PART NO.	PART NAME	QTY.	TRACTOR SERIAL NO.	A L L	REMARKS
1	57M7265	CONNECTOR	1		X	(ALSO ORDER (9) R78066 AND (9) R78063)
2	RE61404	WIRING HARNESS	1		X	
3	14H1000	NUT	1		X	
4	12H378	LOCK WASHER	4		X	0.112"
5	21H1176	SCREW	4		X	0.112"
6	57M7923	CAP	1		X	0.112" X 1/2"
7	RE58827	FIELD INSTALLATION KIT	1		X	

HORN  
 AVERTISSEUR SONORE  
 SIGNALHORN  
 AVVISATORE ACUSTICO  
 BOCINA  
 SIGNALHORN

RXA0069483 -UN-05AUG03



RXA0069483

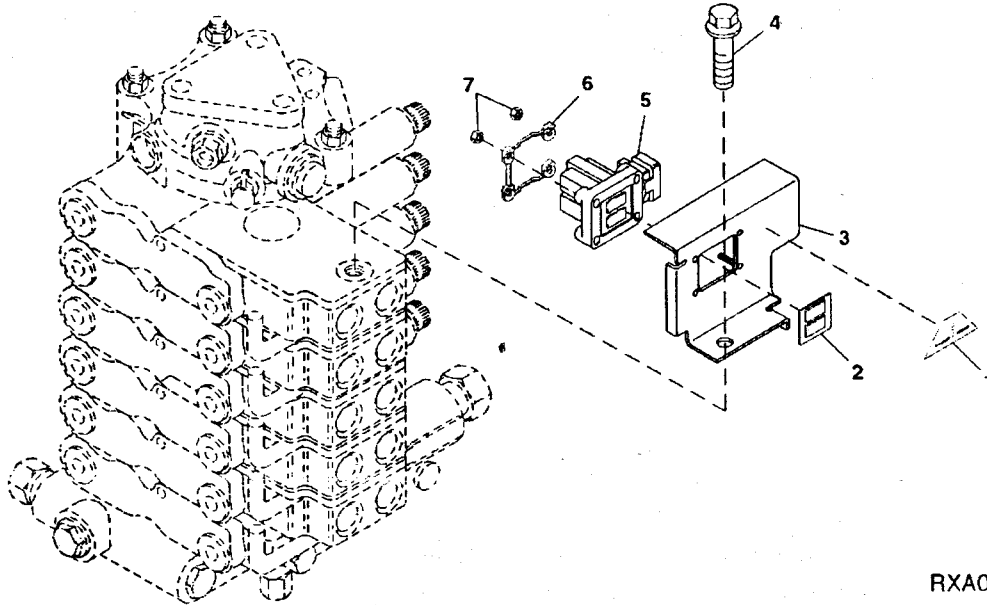
KEY	PART NO.	PART NAME	QTY.	SERIAL NO.	A L L	REMARKS
1	19M7185	CAP SCREW	1		X	M8 X 60
2	AL114614	HORN	1		X	
3	14M7273	NUT	1		X	M8

# 41-18

ENGINE AND CHASSIS WIRING HARNESS

HITCH CONTROL  
 COMMANDE D'ATTELAGE  
 ANHANGEVORRICHTUNGS-BEDIENUNGSELEMENT  
 CONTROLLO DISPOSITIVO DI ATTACCO  
 CONTROL DEL ENGANCHE  
 DRAGANORDNINGSREGLAGE

RXA0076634 -UN-02AUG04



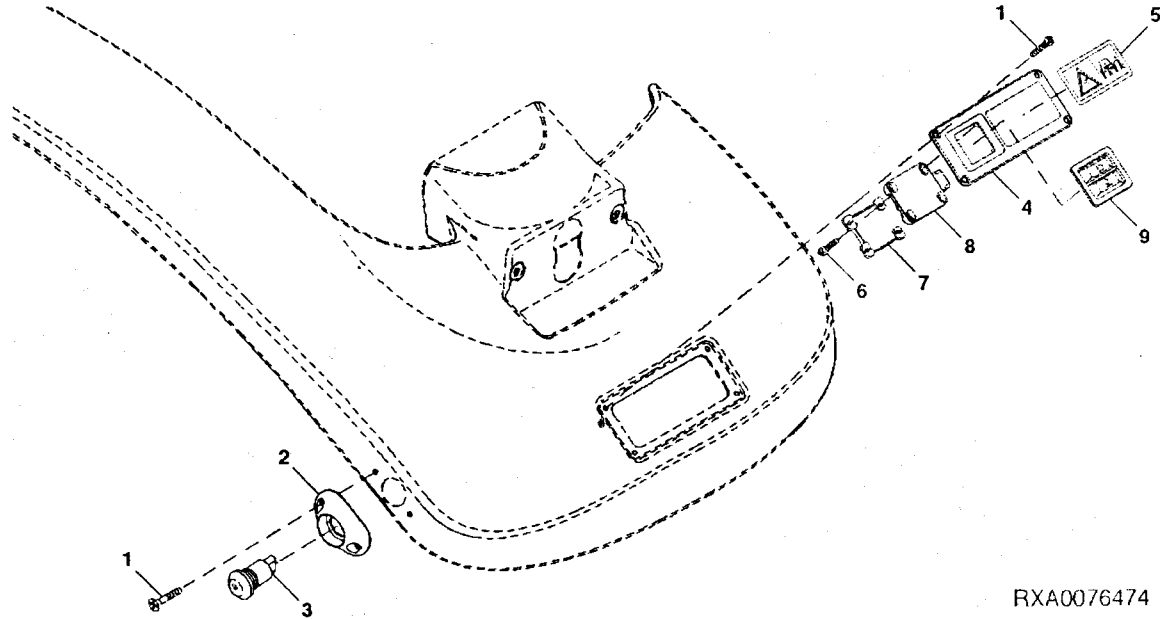
RXA0076634

KEY	PART NO.	PART NAME	QTY.	TRACTOR SERIAL NO.	A L L	REMARKS
1	R171920	LABEL	1		X	
2	L154458	BOOT	1		X	
3	R234849	BRACKET	1		X (A)	
	RE230492	BRACKET	1		X	
4	19M8242	SCREW	1		X	M12 X 16
5	AL170735	CONTROL	1		X	(SUB AL172871)
6	R178405	BUSHING	1		X	
7	14M7264	LOCK NUT	4		X	M4

(A) EUROPEAN VERSION  
 VERSION EUROPEENNE  
 EUROPÄISCHE AUSFÜHRUNG  
 VERSIONE EUROPEA  
 VERSION EUROPEA  
 EUROPEISK VERSION

REMOTE SWITCHES (REAR HITCH)  
 INTERRUPTEURS A DISTANCE (ATTELAGE ARRIERE)  
 FERNSTEUERUNGSSCHALTER (HECKKRAFTHEBER)  
 INTERRUITORI A DISTANZA (SOLLEVATORE POSTERIORE)  
 INTERRUPTORES DE CONTROL REMOTO (ENGANCHE TRASERO)  
 FJAERRKONTAKTER (BAKRE LYFT)

RXA0076474 -UN-20JUL04

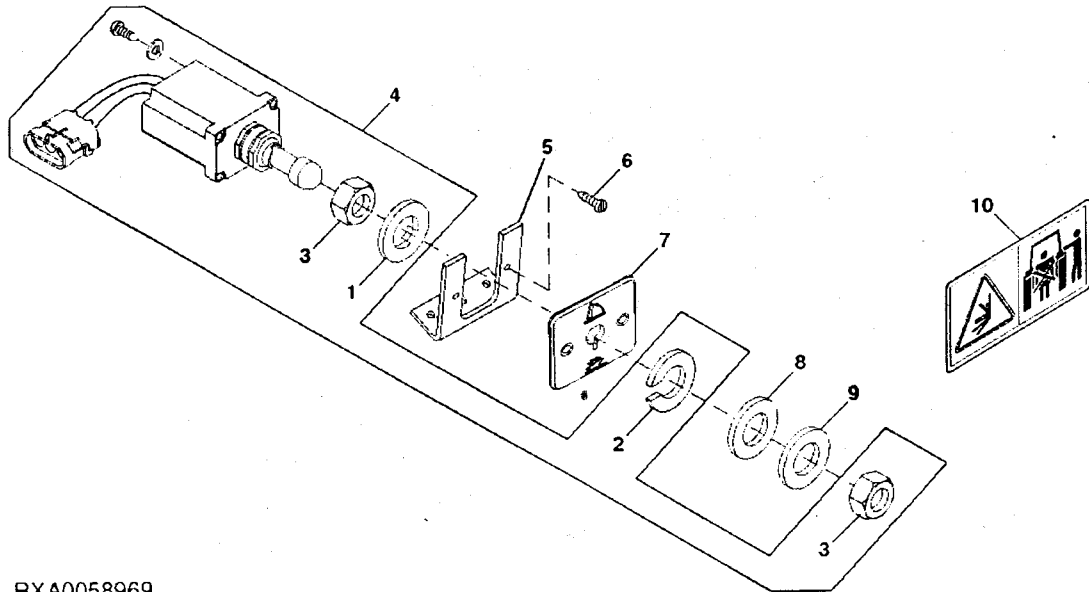


RXA0076474

KEY	PART NO.	PART NAME	QTY.	TRACTOR SERIAL NO.	A L L	REMARKS
1	19M8937	SCREW	6		X	M5 X 10
2	R182031	HOUSING	1		X	
3	AL112561	SWITCH	1		X	
4	R242230	PLATE	1		X	
5	R135481	LABEL	1		X	(RH)
	R135480	LABEL	1		X	(LH)
6	37M7181	SCREW	4		X	
7	R178405	BUSHING	1		X	
8	AL170735	CONTROL	1		X	(SUB AL172871)
9	L154458	BOOT	1		X	

HITCH CONTROL  
 COMMANDE D'ATTELAGE  
 ANHANGEVORRICHTUNGS-BEDIENUNGSELEMENT  
 CONTROLLO DISPOSITIVO DI ATTACCO  
 CONTROL DEL ENGANCHE  
 DRAGANORDNINGSREGLAGE

RXA0058969 -UN-11DEC01



RXA0058969

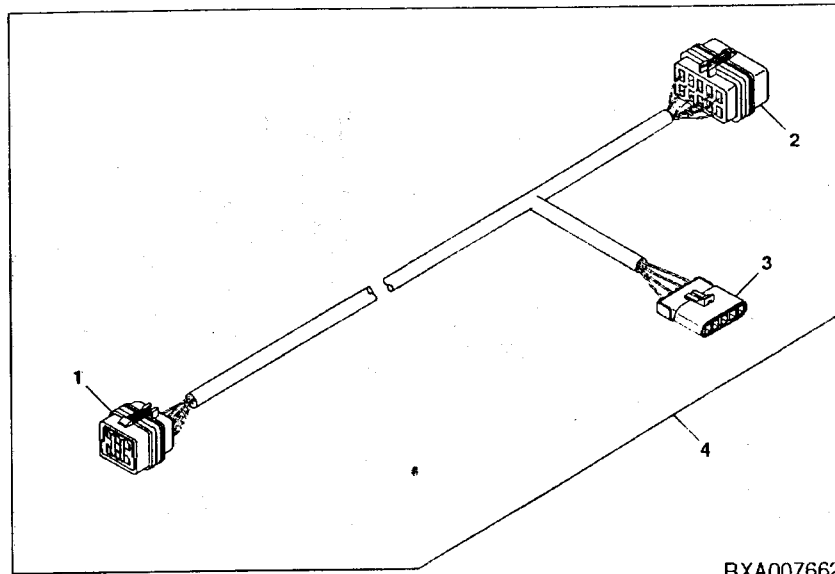
KEY	PART NO.	PART NAME	QTY.	TRACTOR SERIAL NO.	A L L	REMARKS
1	R121234	WASHER	1		X	
2	R121236	WASHER	1		X	
3	R44097	NUT	2		X	
4	RE160903	TOGGLE/ROCKER SWITCH	2		X	
5	R126716	PLATE	2		X	
6	37M7291	SCREW	4		X	
7	R115675	PLATE	2		X	
8	24H1325	WASHER	2		X	15/32" X 59/64" X 0.065"
9	24M7044	WASHER	2		X	0.512" X 0.787" X 0.079"
10	R135481	LABEL	1		X	R.H.
	R135480	LABEL	1		X	L.H.

# 41-21

## ENGINE AND CHASSIS WIRING HARNESS

WIRING HARNESS (FRONT HITCH)  
 FAISCEAU DE FILS (ATTELAGE AVANT)  
 KABELBAUM (FRONTANHAENGEVORRICHTUNG)  
 CAVO (GANCIO ANTERIORE)  
 ARNES DE ALAMBRADO (ENGANCHE DELANTERO)  
 KABELHAERVA (FRAEMRE DRAG)

RXA0076623 -UN-03AUG04

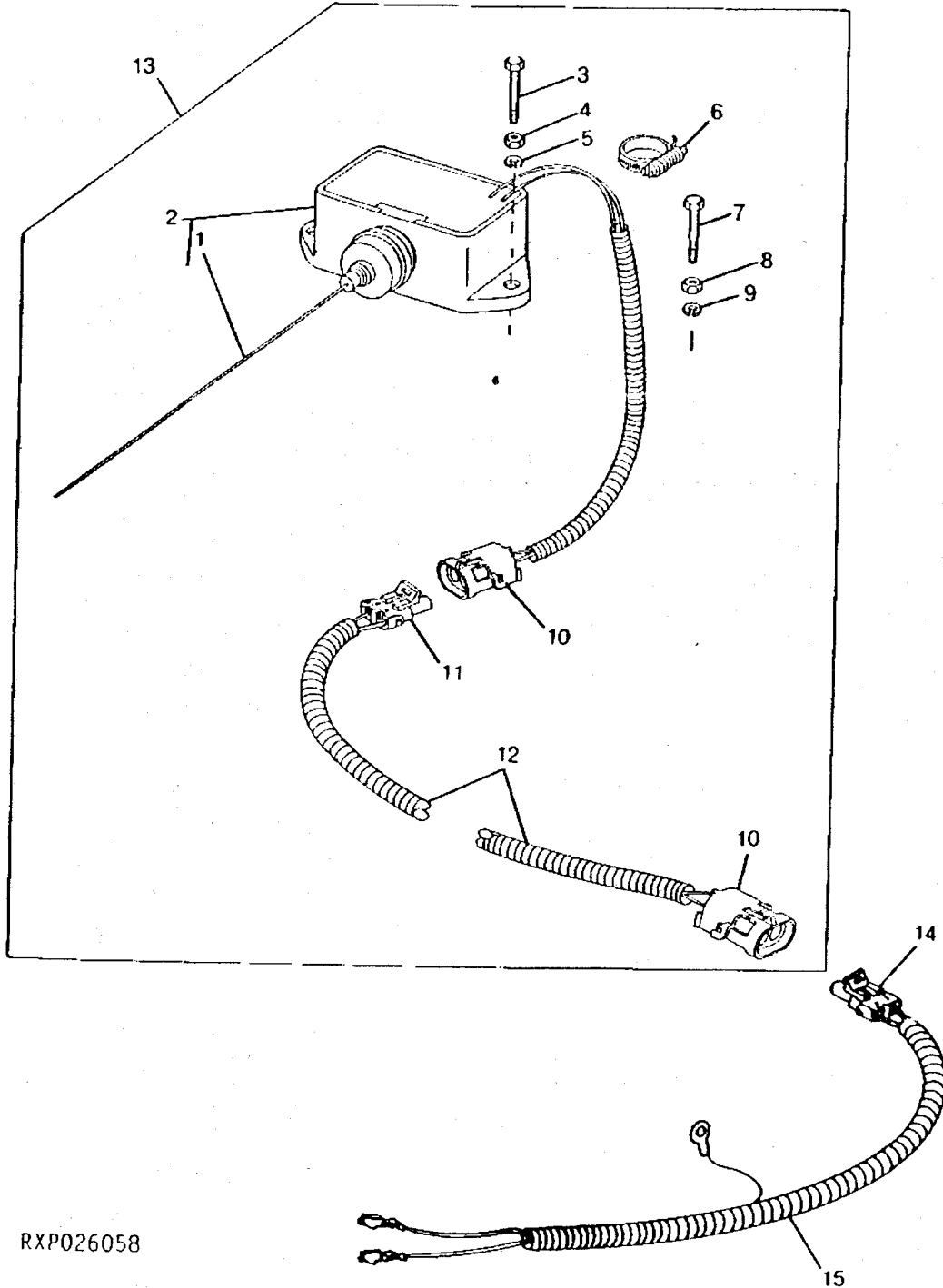


RXA0076623

KEY	PART NO.	PART NAME	QTY	TRACTOR SERIAL NO.	A L L	REMARKS
1	57M7260	ELEC. CONNECTOR HOUSING	1		X	
2	R125822	ELEC. CONNECTOR TERMINAL	1		X	
3	57M8416	ELEC. CONNECTOR TERMINAL	1		X	
4	RE211496	CHASSIS WIRING HARNESS	1		X	



IMPLEMENT SWITCH  
INTERRUPTEUR D'EQUIPEMENT  
GERAETESCHALTER  
INTERRUPTORE PER EQUIAGGIAMENTO  
INTERRUPTOR DE EJECUCION  
REDSKAPSSTROEMSTAELLARE  
RXP026058 -UN-07MAR95



RXP026058

THIS PARTS LISTING IS CONTINUED

## 41-23

ENGINE AND CHASSIS WIRING HARNESS

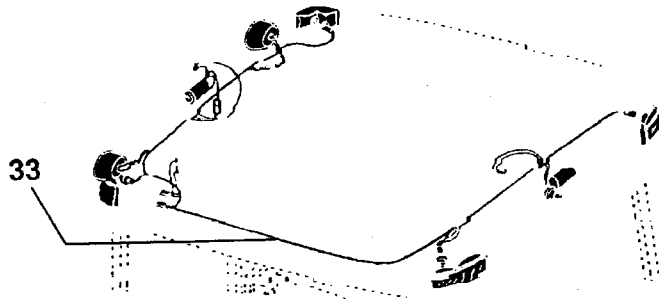
KEY	PART NO.	PART NAME	QTY.	TRACTOR SERIAL NO.	A L L	REMARKS
1	R83562	WIRE	1		X	
2	RE49242	SWITCH	1		X	
3	19H1914	CAP SCREW	2		X	1/4" X 1"
4	14H786	NUT	2		X	1/4"
5	12H302	LOCK WASHER	2		X	1/4"
6	TY22473	CLAMP	1		X	2 13/16" ID
	TY22475	CLAMP	1		X	4 1/16" ID
7	19H1914	CAP SCREW	2		X	1/4" X 1"
8	14H786	NUT	2		X	1/4"
9	12H302	LOCK WASHER	2		X	1/4"
10	R78053	CONNECTOR	1		X	(ALSO ORDER (2) R78061 AND R78063)
11	RE12363	ELECTRICAL CONNECTOR ASSY	1		X	(ALSO ORDER (2) R78060, (2) R78063 AND R78048)
12	RE21099	WIRING HARNESS	1		X	
13	RE21519	KIT	1		X	(FI)
14	RE12363	ELECTRICAL CONNECTOR ASSY	1		X	(ALSO ORDER (2) R78060, (2) R78063 AND R78048)
15	RE63376	WIRING HARNESS	1		X	

MEMORANDA  
MEMORANDA  
MEMORANDA  
MEMORANDA  
MEMORANDA  
MEMORANDA

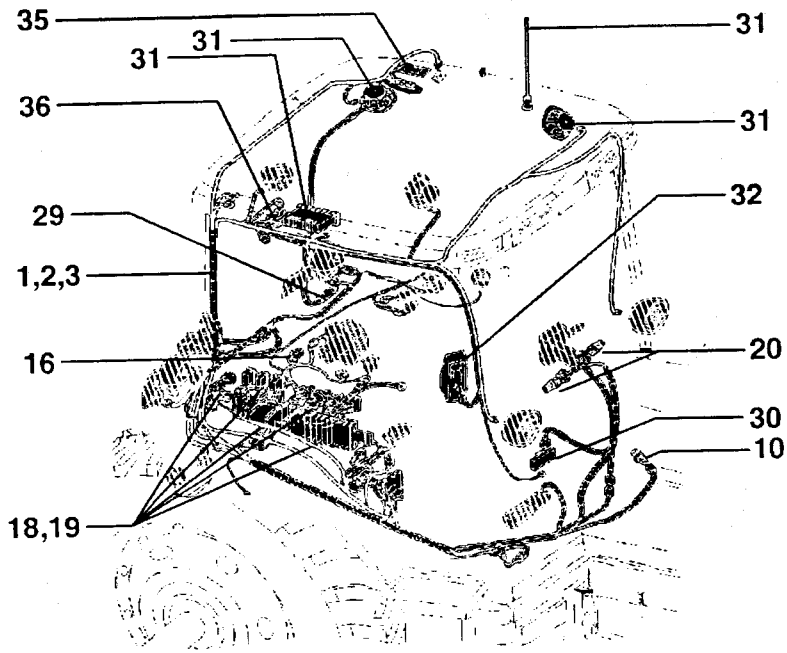
# 42-A01

SECTIONAL INDEX  
 INDEX DE SECTION  
 GRUPPENINDEX  
 INDICE DELLA SEZIONE  
 INDICE DE SECCION  
 GRUPPSFORTECKNING

RXA0081906 -UN-



1-	2
2-	4
3-	6
10-	17
16-	27
18-	28
19-	30
20-	31
29-	51
30-	52
31-	54
32-	57
31-	58
31-	60
31-	62
33-	64
35-	68
36-	69



RXA0081906

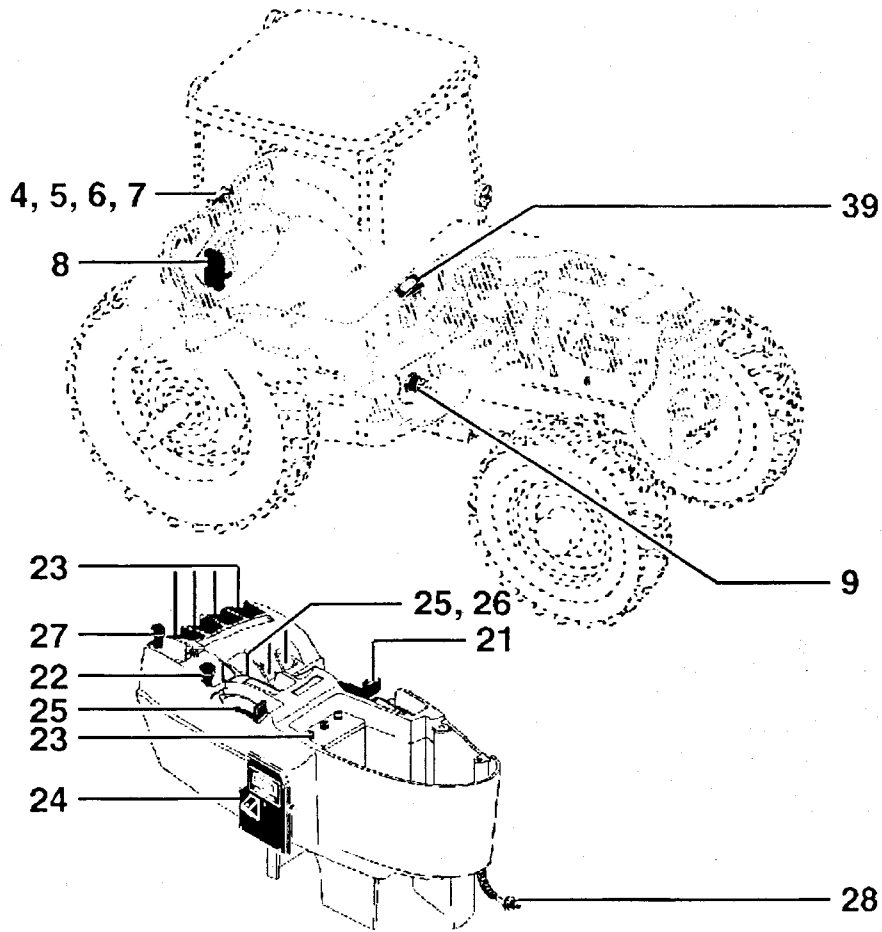
# 42-A02

OPERATOR'S STATION ELECTRICAL

SECTIONAL INDEX  
 INDEX DE SECTION  
 GRUPPENINDEX  
 INDICE DELLA SEZIONE  
 INDICE DE SECCION  
 GRUPPSFORTECKNING

RXA0081909 -UN-

4-	8
5-	9
6-	10
7-	11
7-	12
7-	13
8-	14
8-	15
9-	16
21-	32
22-	34
23-	36
24-	38
25-	40
26-	42
27-	44
28-	46
28-	50
39-	72

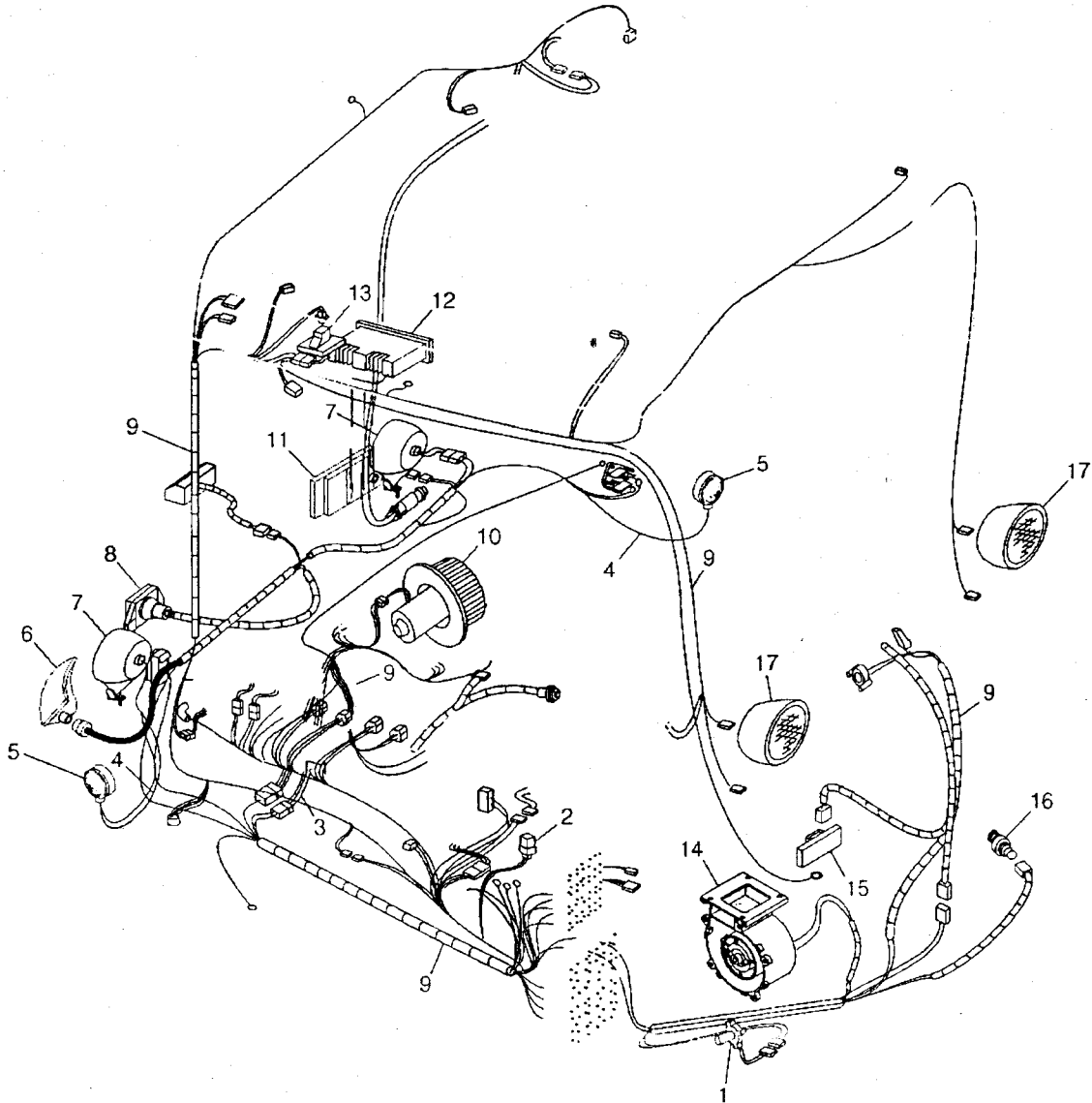


RXA0081909

MEMORANDA  
MEMORANDA  
MEMORANDA  
MEMORANDA  
MEMORANDA

WIRING HARNESS (CAB) (NORTH AMERICAN VERSION)  
FAISCEAU DE CABLES (CABINE) (VERSION NORD AMERICAINE)  
KABELBAUM (FAHRERKABINE) (NORDAMERIKANISCHE AUSFUEHRUNG)  
CABLAGGIO (CABINA) (VERSIONE NORDAMERICANA)  
GRUPO DE CABLES (CABINA) (VERSION NORTEAMERICANA)  
KABELHAERVA (HYTT) (NORDAMERIKANSK VERSION)

RXA0067229 -UN-16MAY03



RXA0067229

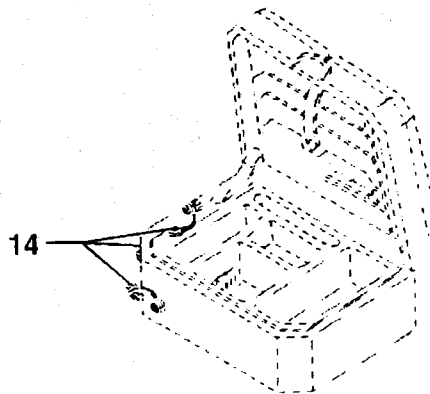
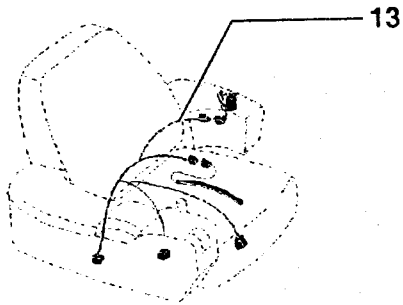
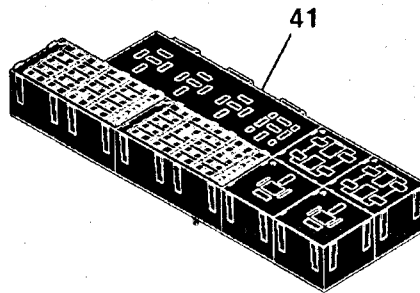
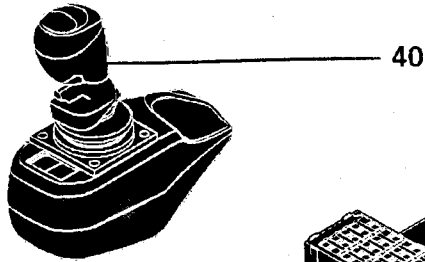
THIS PARTS LISTING IS CONTINUED

# 42-A03

SECTIONAL INDEX  
INDEX DE SECTION  
GRUPPENINDEX  
INDICE DELLA SEZIONE  
INDICE DE SECCION  
GRUPPSFORTECKNING

RXA0085209 -UN-

13-	21
13-	22
14-	24
40-	48
41-	74



RXA0085209

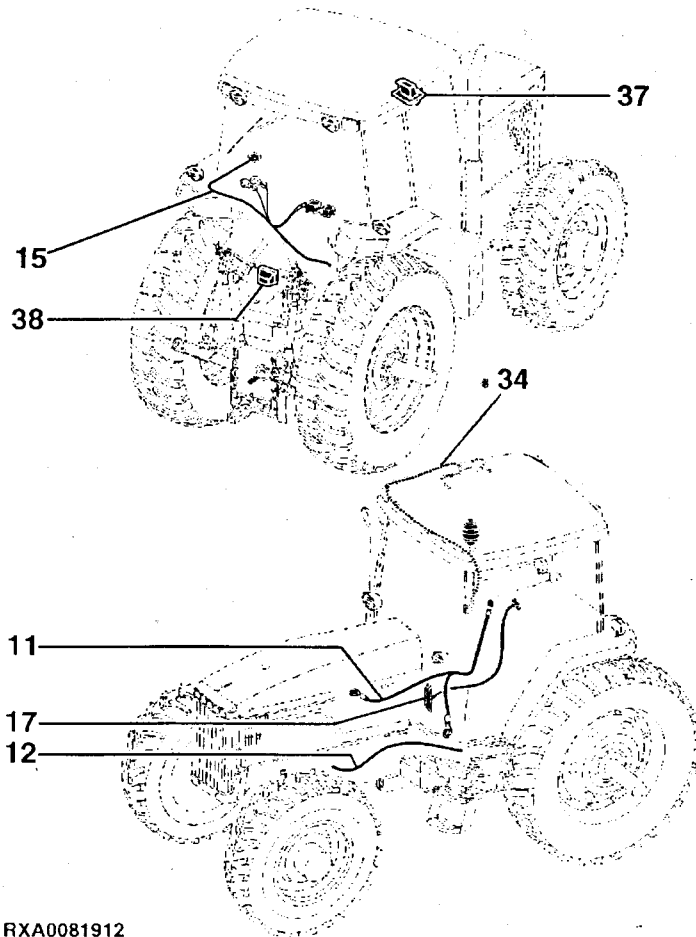


# 42-A04

SECTIONAL INDEX  
INDEX DE SECTION  
GRUPPENINDEX  
INDICE DELLA SEZIONE  
INDICE DE SECCION  
GRUPPSFORTECKNING

RXA0081912 -UN-

11-	18
12-	20
15-	25
17-	26
34-	66
37-	70
38-	71



RXA0081912

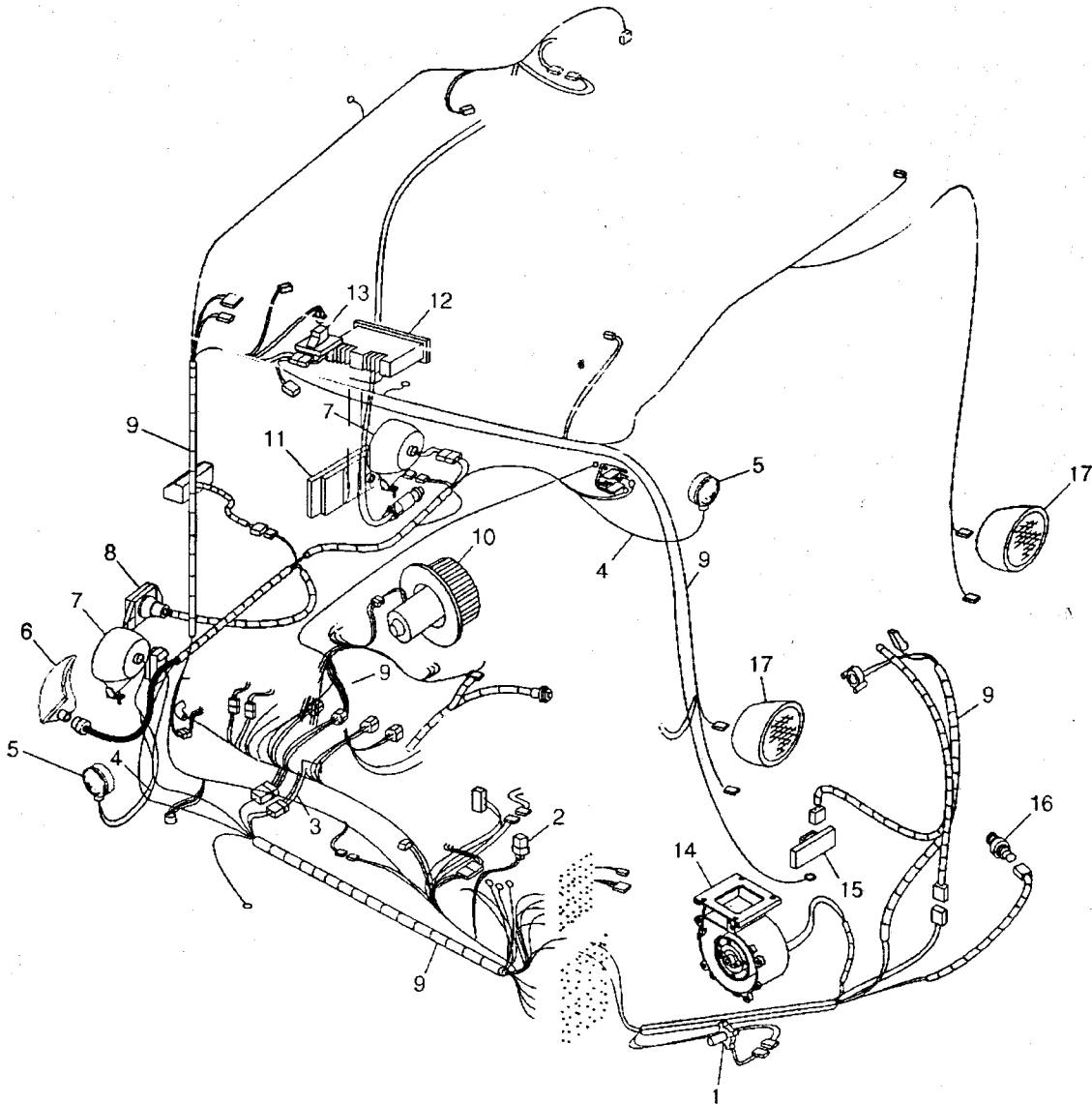
KEY	PART NO.	PART NAME	QTY.	TRACTOR SERIAL NO.			REMARKS
				8 8 8	1 2 3	3 3 3	
1	RE35704	SENSOR	1	X	X	X	
2	RE152796	TIMER	1	X	X	X	
3	RE204327	WIRING HARNESS	1	X	X	X	A/C
4	RE163804	WIRING HARNESS	2	X	X	X	
5	RE170543	LAMP	2	X	X	X	
6	RE48954	TAIL LAMP	1	X	X	X	R.H.
7	RE173604	FLOODLAMP	2	X	X	X	(SUB RE255988) (ALSO ORDER R175462 AND R252736)
8	AR75695	SOCKET OUTLET	1	X	X	X	
9	RE211464	CAB WIRING HARNESS	1	X	X	X	(SUB RE250943) (PST)
	RE211466	CAB WIRING HARNESS	1	X	X	X	(SUB RE250945) (IVT)
10	RE208337	MOTOR	1	X	X	X	(B)
11	RE48955	TAIL LAMP	1	X	X	X	L.H.
12	.....	RADIO	1	X	X	X	(FI)
13	RE57892	LAMP	1	X	X	X	
14	RE237675	BLOWER FAN	1	X	X	X	
15	RE66277	PUSH SWITCH	1	X	X	X	
16	RE46534	SWITCH	1	X	X	X	(A)
17	RE179973	FLOODLAMP	2	X	X	X	

(A) DIFFERENTIAL LOCK  
 BLOCCAGE DE DIFFERENTIEL  
 DIFFERENTIALSPERRE  
 DIFFERENZIALE BLOCCAGGIO  
 TRABA DEL DIFERENCIAL  
 DIFFERENTIALSPAERR

(B) AUTOMATIC TEMPERATURE CONTROL  
 COMMANDE DE TEMPERATURE AUTOMATIQUE  
 AUTOMATISCHE TEMPERATURREGELUNG  
 COMANDO AUTOMATICO DI REGOLAZIONE DELLA TEMPERATURA  
 CONTROL DE TEMPERATURA AUTOMATICO  
 AUTOMATISK TEMPERATURINSTALLNING

WIRING HARNESS (CAB) (NORTH AMERICAN VERSION)  
FAISCEAU DE CABLES (CABINE) (VERSION NORD AMERICAINE)  
KABELBAUM (FAHRERKABINE) (NORDAMERIKANISCHE AUSFUEHRUNG)  
CABLAGGIO (CABINA) (VERSIONE NORDAMERICANA)  
GRUPO DE CABLES (CABINA) (VERSION NORTEAMERICANA)  
KABELHAERVA (HYTT) (NORDAMERIKANSK VERSION)

RXA0067229 -UN-16MAY03



RXA0067229

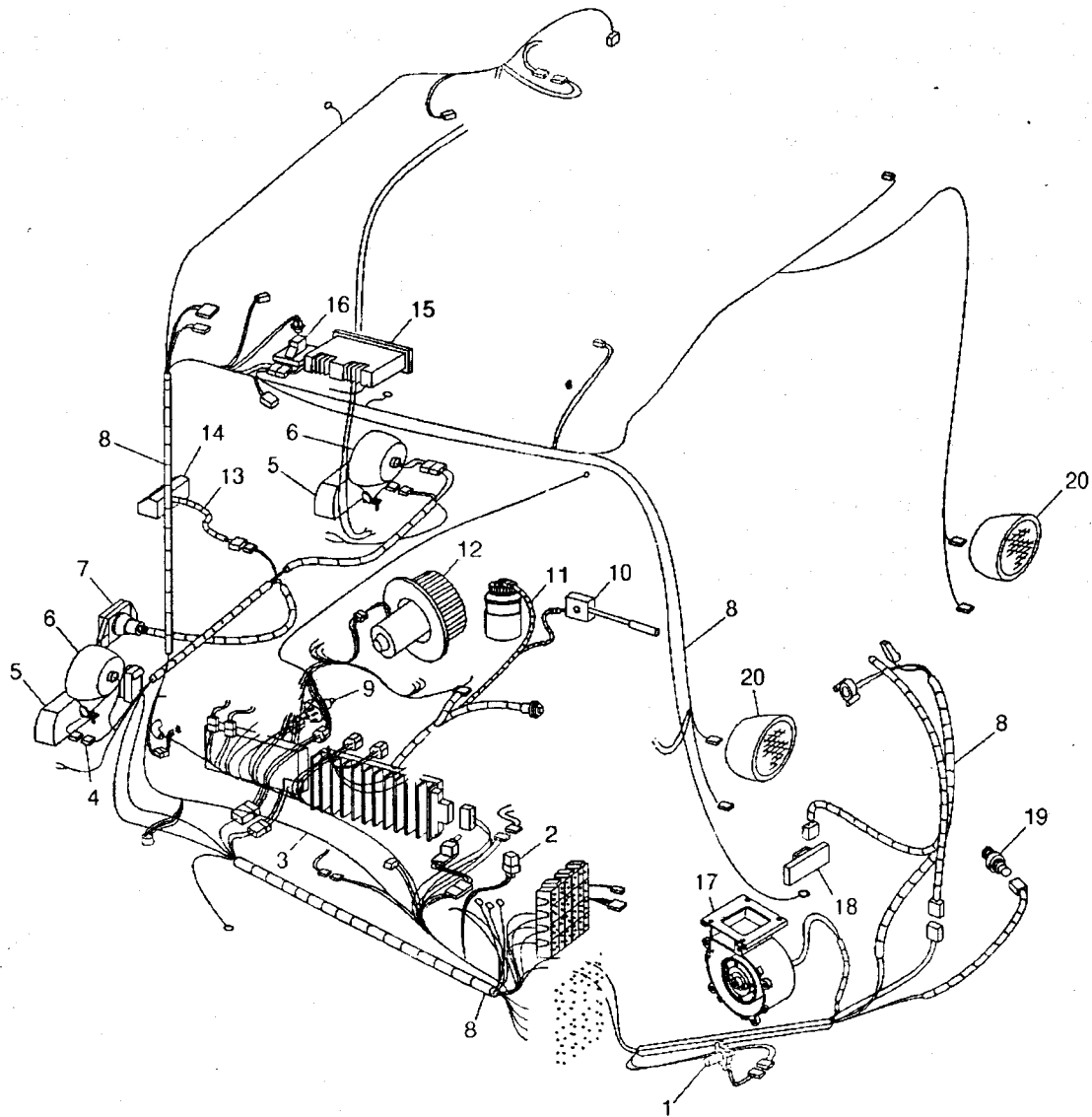
KEY	PART NO.	PART NAME	QTY.	TRACTOR SERIAL NO.	REMARKS
				8 8	
				4 5	
				3 3	
				0 0	
1	RE35704	SENSOR	1		X X
2	RE152796	TIMER	1		X X
3	RE204327	WIRING HARNESS	1		X X A/C
4	RE163804	WIRING HARNESS	2		X X
5	RE170543	LAMP	2		X X
6	RE48954	TAIL LAMP	1		X X R.H.
7	RE173604	FLOODLAMP	2		X X (SUB RE255988) (ALSO ORDER R175462 AND R252736)
8	AR75695	SOCKET OUTLET	1		X X
9	RE211464	CAB WIRING HARNESS	1		X (SUB RE250943) (PST)
	RE211466	CAB WIRING HARNESS	1		X X (SUB RE250945) (IVT)
10	RE208337	MOTOR	1		X X (B)
11	RE48955	TAIL LAMP	1		X X L.H.
12	.....	RADIO	1		X X (FI)
13	RE57892	LAMP	1		X X
14	RE237675	BLOWER FAN	1		X X
15	RE66277	PUSH SWITCH	1		X X
16	RE46534	SWITCH	1		X X (A)
17	RE179973	FLOODLAMP	2		X X

(A) DIFFERENTIAL LOCK  
 BLOCCAGE DE DIFFERENTIEL  
 DIFFERENTIALSPERRE  
 DIFFERENZIALE BLOCCAGGIO  
 TRABA DEL DIFERENCIAL  
 DIFFERENTIALSPAERR

(B) AUTOMATIC TEMPERATURE CONTROL  
 COMMANDE DE TEMPERATURE AUTOMATIQUE  
 AUTOMATISCHE TEMPERATURREGELUNG  
 COMANDO AUTOMATICO DI REGOLAZIONE DELLA TEMPERATURA  
 CONTROL DE TEMPERATURA AUTOMATICO  
 AUTOMATISK TEMPERATURINSTALLNING

WIRING HARNESS (CAB) (EUROPEAN VERSION)  
FAISCEAU DE CABLES (CABINE) (VERSION EUROPEENNE)  
KABELBAUM (FAHRERKABINE) (EUROPEAEISCHE AUSFUEHRUNG)  
CABLAGGIO (CABINA) (VERSIONE EUROPEA)  
GRUPO DE CABLES (CABINA) (VERSION EUROPEA)  
KABELHAERVA (HYTT) (EUROPEISK VERSION)

RXA0067230 -UN-16MAY03



RXA0067230

KEY	PART NO.	PART NAME	QTY.	TRACTOR SERIAL NO.	A L L	REMARKS
1	RE35704	SENSOR	1		X	
2	RE152796	TIMER	1		X	
3	RE204327	WIRING HARNESS	1		X	A/C
4	RE71246	WIRING HARNESS	2		X	
5	RE67285	TAIL LAMP	2		X	
6	RE173604	FLOODLAMP	2		X	(SUB RE255988) (ALSO ORDER R175462 AND R252736)
7	L83677	SOCKET OUTLET	1		X	
8	RE211465	CAB WIRING HARNESS	1		X	(SUB RE250944) (PST)
	RE211467	CAB WIRING HARNESS	1		X	(SUB RE250946) (IVT)
9	RE154222	SWITCH	1		X	
10	RE48234	SWITCH	1		X	
	RE33778	DIODE	1		X	(A)
11	RE63981	SWITCH	1		X	
12	RE208337	MOTOR	1		X	(C)
13	RE52633	WIRING HARNESS	1		X	
14	AL33161	LENS	1		X	
15	.....	RADIO	1		X	(FI)
16	RE57892	LAMP	1		X	
17	RE237675	BLOWER FAN	1		X	
18	RE66277	PUSH SWITCH	1		X	
19	RE46534	SWITCH	1		X	(B)
20	RE179973	FLOODLAMP	2		X	

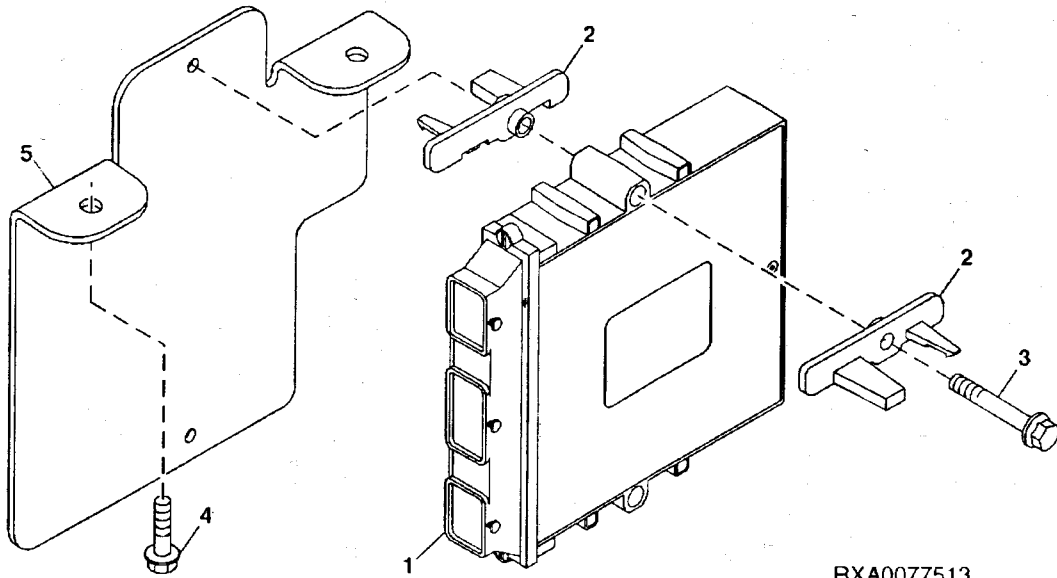
(A) W/O SECONDARY BRAKE  
W/O FREIN SECONDAIRE  
W/O ZWEITBREMSE  
W/O FRENO SECONDARIO  
W/O FRENO SECUNDARIO  
W/O PARKERINGSBROMS

(B) DIFFERENTIAL LOCK  
BLOCAGE DE DIFFERENTIEL  
DIFFERENTIALSPERRE  
BLOCCAGGIO DIFFERZIALE  
TRABA DEL DIFERENCIAL  
DIFFERENTIALSPAERR

(C) AUTOMATIC TEMPERATURE CONTROL  
COMMANDE DE TEMPERATURE AUTOMATIQUE  
AUTOMATISCHE TEMPERATURREGELUNG  
COMANDO AUTOMATICO DI REGOLAZIONE DELLA TEMPERATURE  
CONTROL DE TEMPERATURA AUTOMATICO  
AUTOMATISK TEMPERATURINSTALLNING

**CAB CONTROLLER (CAB/ASU)**  
**CONTROLEUR DE CABINE (CABINE/ASU)**  
**KABINEN-STEUERGERAET (FAHRERKABINE/ASU)**  
**UNITA DI COMANDO CABINA (CABINA/ASU)**  
**UNIDAD DE CONTROL DE CABINA (CABINA/ASU)**  
**HYTTSTYRENHET (HYTT/ASU)**

RXA0077513 -UN-16SEP04

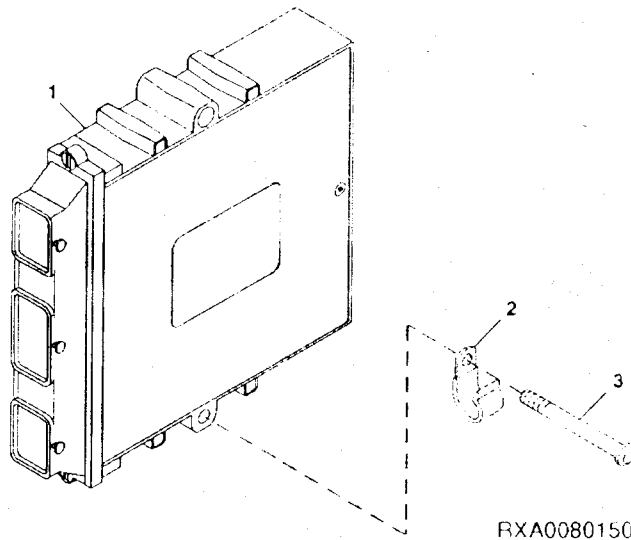


RXA0077513

KEY	PART NO.	PART NAME	QTY.	TRACTOR SERIAL NO.	A L L	REMARKS
1	RE231720	ELECTRONIC CONTROL UNIT	1		X	(SUB RE251605)
2	R231112	ISOLATOR	4		X	
3	37M7232	SCREW	2		X	M6 X 55
4	19M8649	SCREW	2		X	M6 X 20
5	R228251	BRACKET	1		X	

HYDRAULIC CONTROLLER  
 CONTROLEUR HYDRAULIQUE  
 HYDRAULIK-STEUERGERAET  
 UNIDAD DE COMANDO IDRAULICA  
 UNIDAD DE CONTROL HIDRAULICO  
 HYDRAULISK STYRENHET

RXA0080150 UN-08APR05



KEY	PART NO.	PART NAME	QTY	CAB SERIAL NO.	A L L	REMARKS
1	RE219046	ELECTRONIC CONTROL UNIT	1		X	(HITCH/SCV)(ILS)
	RE231325	HITCH AND SCV CONTROLLER	1		X	(A) (HITCH/SCV)(ILS/IVT/50K)
	RE219046	ELECTRONIC CONTROL UNIT	1		X	(MARKED RE227628) (HITCH/SCV)(MFWO)
2	AH117301	CLAMP	1		X	
3	R219318	SCREW	2		X	

(A) EUROPEAN VERSION  
 VERSION EUROPEENNE  
 EUROPÄISCHE AUSFÜHRUNG  
 VERSIONE EUROPEA  
 VERSION EUROPEA  
 EUROPEISK VERSION

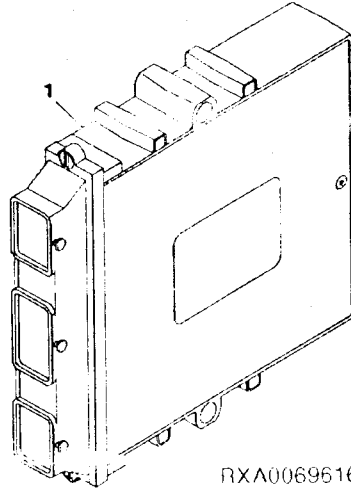


# 42-10

OPERATOR'S STATION ELECTRICAL

CONTROLLER, IMPLEMENT GATEWAY  
 CONTROLEUR, PASSERELLE D'ACCESSOIRE  
 STEUEREINHEITEN, ANBAUGERAET-GATEWAY  
 REGOLATORI, GATEWAY ATTREZZO  
 CONTROLADORES, PORTICO DE ACCESORIO  
 STYRENHETER, REDSKAPSNAETPORT

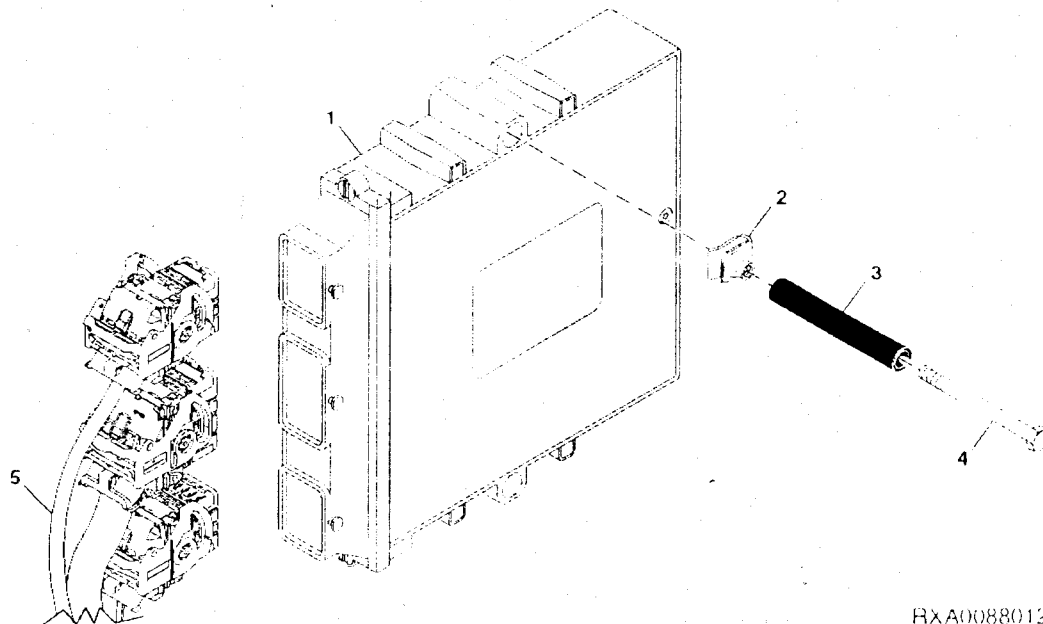
RXA0069616 -UN-30JUL03



KEY	PART NO	PART NAME	QTY	CAB SERIAL NO.	A L L	REMARKS
1	RE210850	ELECTRONIC CONTROL UNIT	1		X	(MARKED RE218999)

OPTIONAL (ELECTRONIC HITCH) CONTROLLER  
 CONTROLEUR (D'ATTELAGE ELECTRONIQUE) EN OPTION  
 OPTIONALES STEUERGERAET (FUER ELEKTRONISCHEN KRAFTHEBER)  
 UNITA DI COMANDO (SOLLEVATORE ELETTRONICO) A RICHIESTA  
 UNIDAD DE CONTROL OPCIONAL (ENGANCHE ELECTRONICO)  
 ALTERNATIV STYRENHET (ELEKTRONISK LYFT)

RXA0088012 -UN-27MAR06



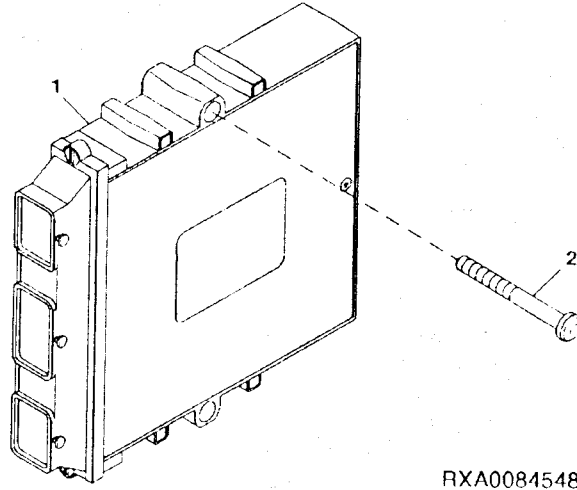
RXA0088012

KEY	PART NO	PART NAME	QTY	CAB SERIAL NO	A L L	REMARKS
1	RE231724	CONTROL	1		X	(MARKED RE231726) 5&6 SCV. GRAPPLE
2	H102554	NUT	2		X	
3	TY22552	SPACER	2		X	(116MM)
4	08H4804	BOLT	2		X	1/4" X 7"
5	RE250961	CHASSIS WIRING HARNESS	1		X	
	RE222869	WIRING HARNESS	1		X	(A) (USE WITH RE250961)

(A) W/LOADER  
 W/CHARGEUR  
 W/LADER  
 W/CARICATORE  
 W/CARGADORA  
 W/LASTARE

ELECTRONIC CONTROL UNIT (ENGINE)  
 UNITE DE COMMANDE ELECTRONIQUE (MOTEUR)  
 ELEKTRONISCHES STEUERMODUL (MOTOR)  
 CENTRALINA ELETTRICA DI CONTROLLO (MOTORE)  
 UNIDAD ELECTRONICA DE CONTROL (MOTOR)  
 ELEKTRONISK STYRENHET (MOTOR)

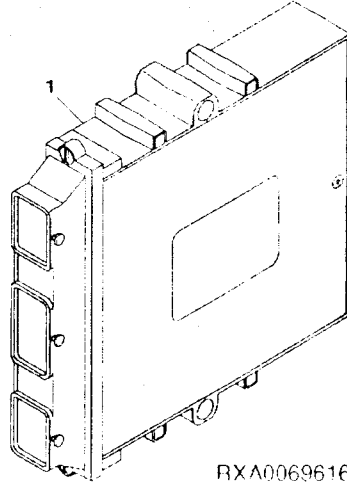
RXA0084548 -UN-11OCT05



KEY	PART NO	PART NAME	QTY	CAB SERIAL NO	A L L	REMARKS
1	RE520953	ENGINE CONTROLLER	1		X	
	R219317	SCREW	2		X	

VEHICLE CONTROLLER  
 CONTROLEUR DE VEHICULE  
 FAHRZEUG STEUERGERAT  
 IL CONTROLLORE DI VEICOLO  
 EL DIRECTOR DEL VEHICULO  
 FORDONSSTYRENHET

RXA0069616 -UN-30JUL03

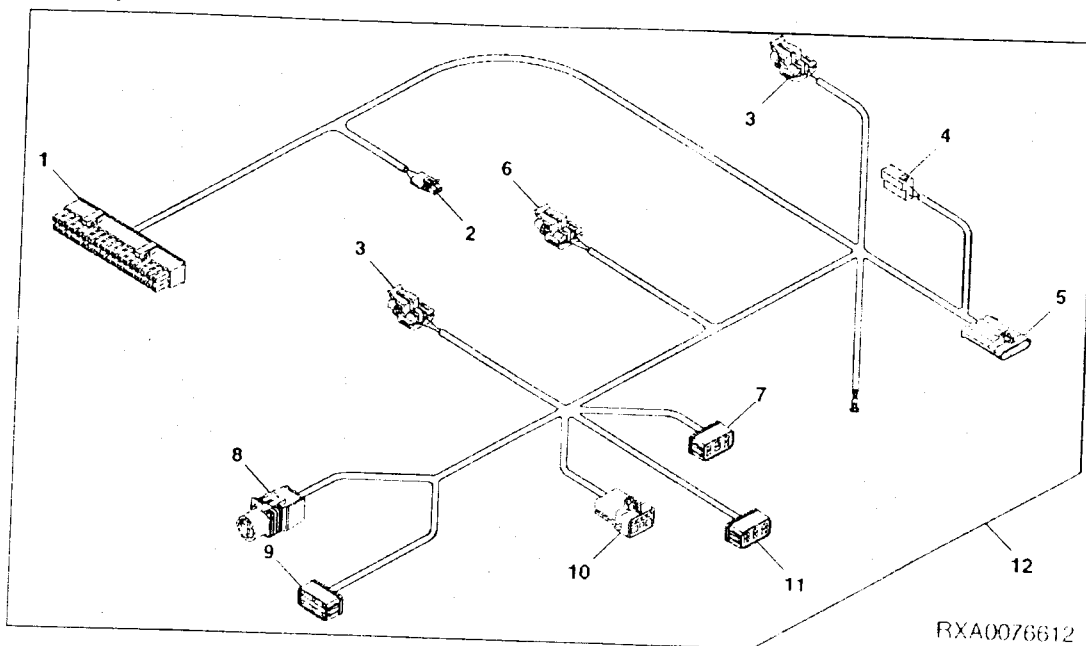


RXA0069616

KEY	PART NO	PART NAME	QTY	CAB SERIAL NO	A L L	REMARKS
1	RE245262	VEHICLE CONTROLLER	1		X	(PST)
	RE245257	VEHICLE CONTROLLER	1		X	(SUB RE247827) (IVT)

WIRING HARNESS (ATC)  
 FAISCEAU DE FILS (ATC)  
 KABELBAUM (ATC)  
 CABLAGGIO (ATC)  
 ARNES DE ALAMBRADO (ATC)  
 KABELHAERVA (ATC)

RXA0076612 UN-30JUL04

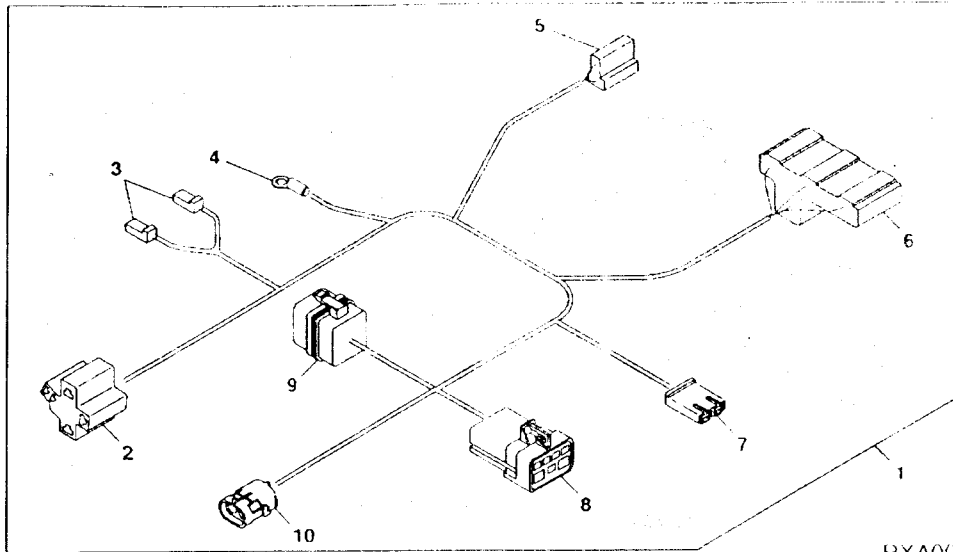


RXA0076612

KEY	PART NO.	PART NAME	QTY	TRACTOR SERIAL NO	A L L	REMARKS
1	.....	RECEPTACLE	1		X	
2	57M7328	ELEC. CONNECTOR HOUSING	1		X	
3	57M7813	ELEC. CONNECTOR TERMINAL	2		X	
4	T28586	ELECTRICAL CONNECTOR ASSY	1		X	
5	.....	RECEPTACLE	1		X	
6	57M7254	RECEPTACLE	1		X	
7	57M7263	ELEC. CONNECTOR HOUSING	1		X	
8	57M8557	ELEC. CONNECTOR HOUSING	1		X	
9	57M8013	ELEC. CONNECTOR TERMINAL	1		X	
10	57M7699	ELEC. CONNECTOR TERMINAL	1		X	
11	57M7251	ELECTRICAL CONNECTOR ASSY	1		X	
12	RE211470	CAB WIRING HARNESS	1		X	

WIRING HARNESS (MANUAL AIR CONDITIONING)  
 FAISCEAU DE CABLES (CLIMATISATION MANUELLE)  
 KABELBAUM (MANUELLE KLIMAANLAGE)  
 CABLAGGIO (CONDIZIONATORE MANUALE)  
 GRUPO DE CABLES (AIRE ACONDICIONADO MANUAL)  
 KABELHAERVA (MANUELL LUFTKONDITIONERING)

RXA0071356 -UN-10OCT03

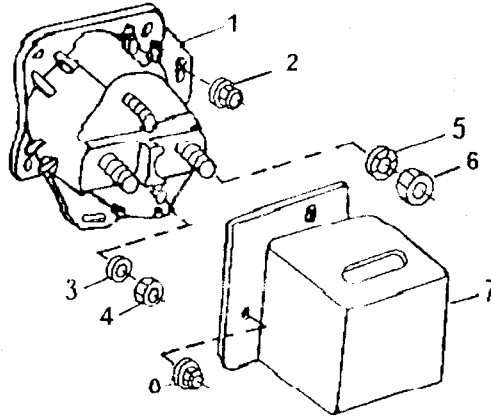


RXA0071356

KEY	PART NO	PART NAME	QTY	TRACTOR SERIAL NO	A L L	REMARKS
1	RE211471	CAB WIRING HARNESS	1		X	(SUB RE250948)
2	RE46734	ELECTRICAL CONNECTOR ASSY	1		X	
3	.....	ELEC. CONNECTOR HOUSING	2		X	
4	.....	ELEC. CONNECTOR TERMINAL	1		X	
5	R77476	ELECTRICAL CONNECTOR ASSY	1		X	
6	57M7457	ELECTRICAL CONNECTOR ASSY	1		X	
7	R77480	ELECTRICAL CONNECTOR ASSY	1		X	
8	.....	CONNECTOR	1		X	
9	ET15766	ELEC. CONNECTOR HOUSING	1		X	
10	57M7328	ELEC. CONNECTOR HOUSING	1		X	

STARTING CIRCUIT RELAY  
 RELAIS DU CIRCUIT DE MARRAGE  
 ANLASSERSTROMKREISRELAY  
 INTERRUTTORE CIRCUITO DI ACCENSIONE  
 RELE DEL CIRCUITO DE ARRANQUE  
 STARTRELAE

RE031148 UN-20OCT99

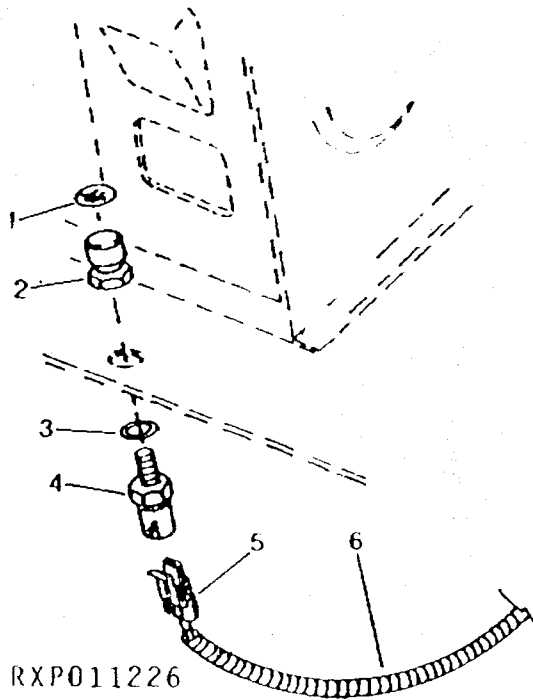


RE031148

KEY	PART NO	PART NAME	QTY	TRACTOR SERIAL NO	A	REMARKS
					L	
1	RE164448	STARTER RELAY	1		X	
2	14M7303	FLANGE NUT	2		X	M6
3	12M7060	LOCK WASHER	2		X	0.209"
4	14H631	NUT	1		X	0.190"
5	12M7032	LOCK WASHER	2		X	8.400 MM
6	14H785	NUT	2		X	5/16"
7	R113164	COVER	1		X	
8	14M7303	FLANGE NUT	2		X	M6

HYDRAULIC DIFFERENTIAL LOCK SWITCH  
 INTERRUPTEUR DE BLOCAGE HYDRAULIQUE DE DIFFERENTIEL  
 HYDRAULISCHER DIFFERENTIALSPERREN-SCHALTER  
 INTERRUPTORE DI BLOCCAGGIO IDRAULICO DIFFERENZIALE  
 INTERRUPTOR DE LA TRABA HIDRAULICO DEL DIFERENCIAL  
 STROEMBRYTARE FOER HYDRAULDIFFERENTIALSPAERR

RXP011226 -UN-01JAN94



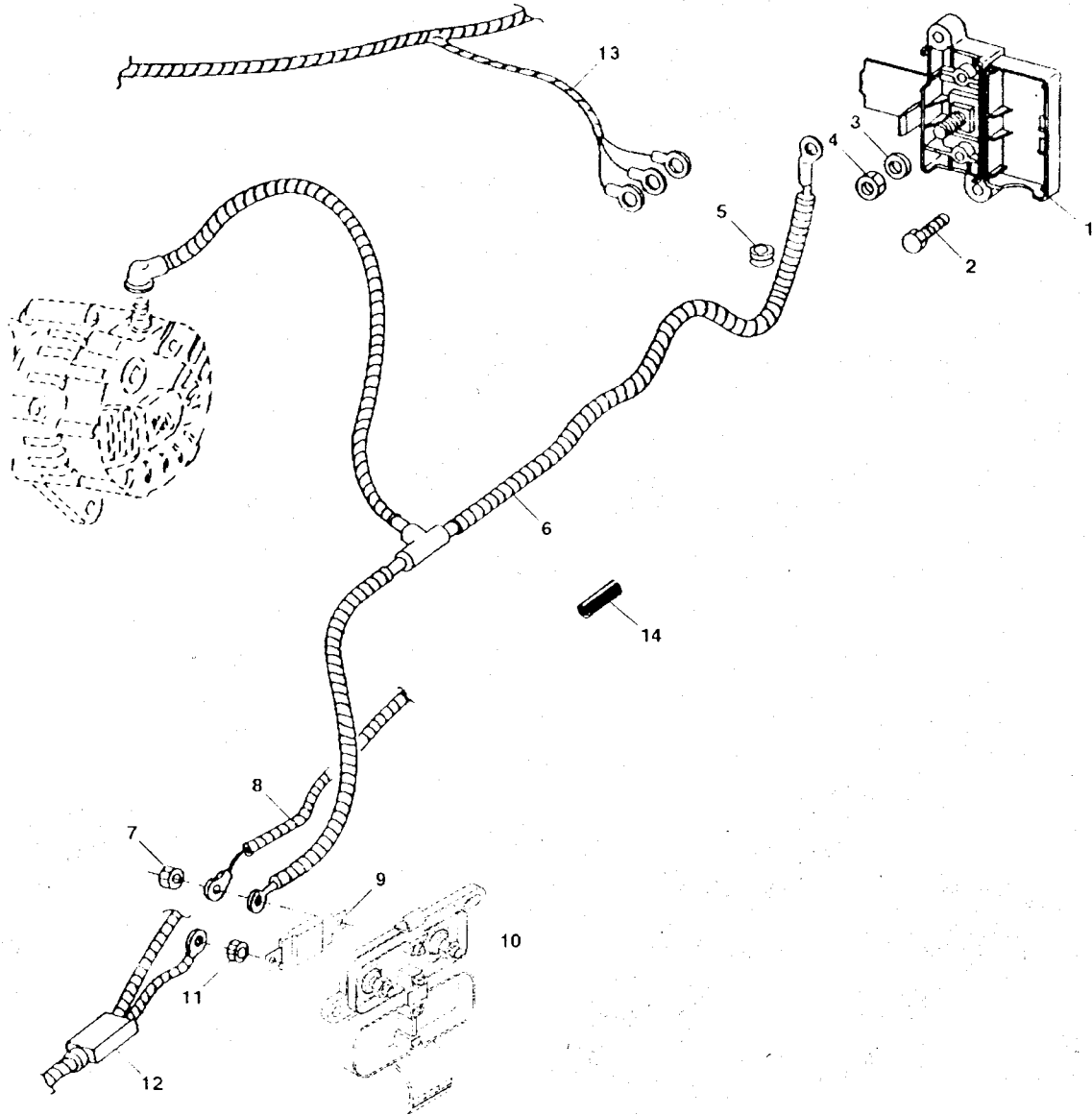
RXP011226

KEY	PART NO.	PART NAME	QTY.	SERIAL NO.	A L L	REMARKS
1	L80302	LABEL	1		X	
2	RE43637	ACTUATOR	1		X	
3	51M7042	O-RING	1		X	13.300 X 2.200 MM
4	RE46534	SWITCH	1		X	
5	57M7328	CONNECTOR	1		X	
6		CAB WIRING HARNESS	1		X	



WIRING HARNESS (CAB POWER)  
 FAISCEAU DE CABLES (ALIMENTATION DE CABINE)  
 KABELBAUM (FAHRERKABINE-STROMVERSORGUNG)  
 CABLAGGIO (ALIMENTAZIONE DELLA CABINA)  
 GRUPO DE CABLES (ENERGIA DE LA CABINA)  
 KABELHAERVA (HYTTSTROEMFOERSOERJNING)

RXA0081635 UN-16JUN05



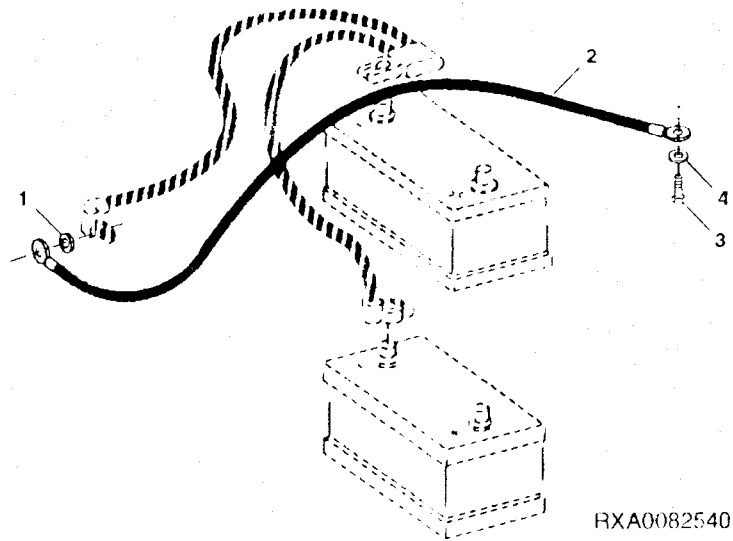
RXA0081635

KEY	PART NO.	PART NAME	QTY.	TRACTOR SERIAL NO	A L L	REMARKS
1	RE48875	JUNCTION BLOCK	1		X	
2	19M7372	CAP SCREW	2		X	M5 X 16
3	24M7146	WASHER	1		X	4.300 X 12 X 1 MM
4	14M7100	NUT	1		X	M4
5	R186344	GROMMET	1		X	
6	RE211485	BATTERY CABLE	1		X	(+)
7	14M7273	NUT	1		X	
	12H291	LOCK WASHER	1		X	5/16"
8	RE211490	CHASSIS WIRING HARNESS	1		X	(SUB RE250958)
	RE211491	CHASSIS WIRING HARNESS	1		X	(A) (SUB RE250959)
9	57M8964	FUSE	1		X	
10	RE239622	JUNCTION BLOCK	1		X	(250 AMP)
11	14M7274	NUT	1		X	M10
	12M7033	LOCK WASHER	1		X	10.500 MM
12	RE234018	BATTERY CABLE	1		X	
13	RE227767	ROOF WIRING HARNESS	1		X	
14	R210115	HOSE	1		X	

(A) INDEPENDENT LINK SUSPENSION  
 SUSPENSION A BRAS INDEPENDANTS  
 EINZELRADAUFHAENGUNG  
 SOSPENSIONE AD ARTICOLAZIONE INDIPENDENTE  
 SUSPENSION DE BRAZO INDEPENDIENTE  
 SEPARAT LAENKUPPHAENGNING

CAB AND CHASSIS GROUND CABLE  
 CABLE DE MASSE, CABINE ET CHASSIS  
 MASSEKABEL, KABINE UND FAHRGESTELL  
 FILO DI TERRA DI CABINA E TELAIO  
 CABLE A TIERRA DE CABINA Y CHASIS  
 JORDKABEL, HYTT OCH CHASSI

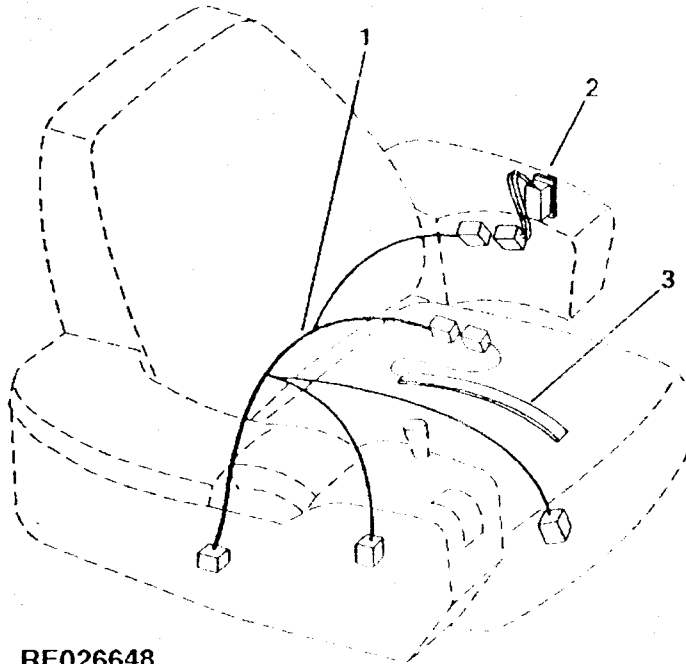
RXA0082540 -UN-27JUL05



KEY	PART NO.	PART NAME	QTY.	TRACTOR SERIAL NO	A L L	REMARKS
1	14M7296	FLANGE NUT	1		X M10	
2	RE60634	BATTERY CABLE	1		X (-)	
3	19M7167	CAP SCREW	1		X M10 X 25, HS 10.9	
4	24M7028	WASHER	1		X 10.500 X 20 X 2 MM	

**WIRING HARNESS (SEAT)**  
**FAISCEAU COND.DE GRAISSAGE (SIEGE)**  
**SCHMIERLEITUNGSPAKET (SITZ)**  
**CONDOTTI DI LUBRIFICAZIONE (SEDILE)**  
**SISTEMA DE ENGRASE (ASIENTO)**  
**CENTRALSMOERJNING (SAETE)**

RE026648 -UN-19DEC95



RE026648

KEY	PART NO.	PART NAME	QTY.	TRACTOR SERIAL NO.	A L L	REMARKS
1	RE239997	WIRING HARNESS	1		X (A)	
	RE225255	WIRING HARNESS	1		X (B)	
2	RE228095	TOGGLE/ROCKER SWITCH	1		X (A) (C)	
	RE225257	SWITCH	1		X (B) (C)	
	RE189796	KIT	1		X (A) (D)	
3	RE43526	SWITCH	1		X (A)	

(A) ACTIVE SEAT  
 SIEGE ACTIF  
 AKTIVE SITZ-BAUGRUPPE  
 GRUPPO SEDILE ATTIVO  
 CONJUNTO DE ASIENTO ACTIVO  
 AKTIV SITS

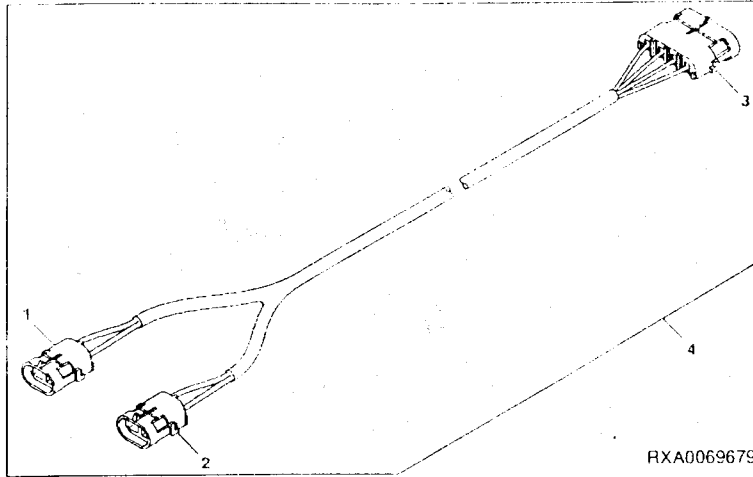
(B) AIR SEAT  
 SIEGE PNEUMATIQUE  
 LUFTGEFEDERTER SITZ  
 SEDILE PNEUMATICO  
 ASIENTO NEUMATICO  
 LUFTFJAFDRAT SAETE

(C) SEAT HEIGHT ADJUSTMENT  
 REGULATION DE HAUTEUR DE SIEGE  
 SITZHOEHENEINSTELLUNG  
 REGOLAZIONE ALTEZZA SEDILE  
 AJUSTE DE ALTURA DEL ASIENTO  
 INSTAELLNING AV SITSHOEJDEN

(D) SEAT FIRMNESS  
 RIGIDITA DEL SIEGE  
 SITZDAEMPUNGSEINSTELLUNG  
 RIGIDITA SEDILE  
 FIRMEZA DEL ASIENTO  
 SAETETS FASTHET

WIRING HARNESS (ACTIVE SEAT)  
 FAISCEAU DE FILS (SIEGE REGLABLE)  
 KABELBAUM (EINSTELLBARER SITZ)  
 CAVO (SEDILE REGOLABILE)  
 ARNES DE ALAMBRADO (ASIENTO AJUSTABLE)  
 KABELHAERVA (INSTAELLBART SAETE)

RXA0069679 UN-31JUL03



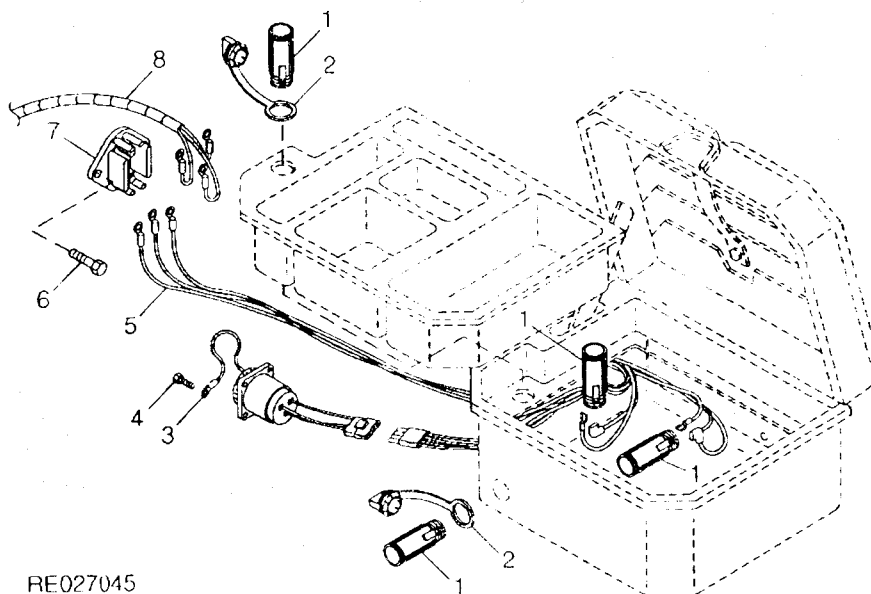
RXA0069679

KEY	PART NO.	PART NAME	QTY	TRACTOR SERIAL NO	A	REMARKS
					L	
1	57M7254	ELECTRICAL CONNECTOR ASSY	1		X	
2	57M7850	ELEC. CONNECTOR HOUSING	1		X	
3	57M7839	ELECTRICAL CONNECTOR ASSY	1		X	
4	RE180696	CAB WIRING HARNESS	1		X	

MEMORANDA  
MEMORANDA  
MEMORANDA  
MEMORANDA  
MEMORANDA

WIRING HARNESS (FIELD OFFICE)  
 FAISCEU DE CABLES (BUREAU MOBILE)  
 KABELBAUM (BORD-BUERO)  
 CABLAGGIO (UFFICIO MOBILE)  
 GRUPO DE CABLES (OFICINA PORTATIL)  
 KABELHAERVA (TRAKTORKONTOR)

RE027045 UN-17JUL96



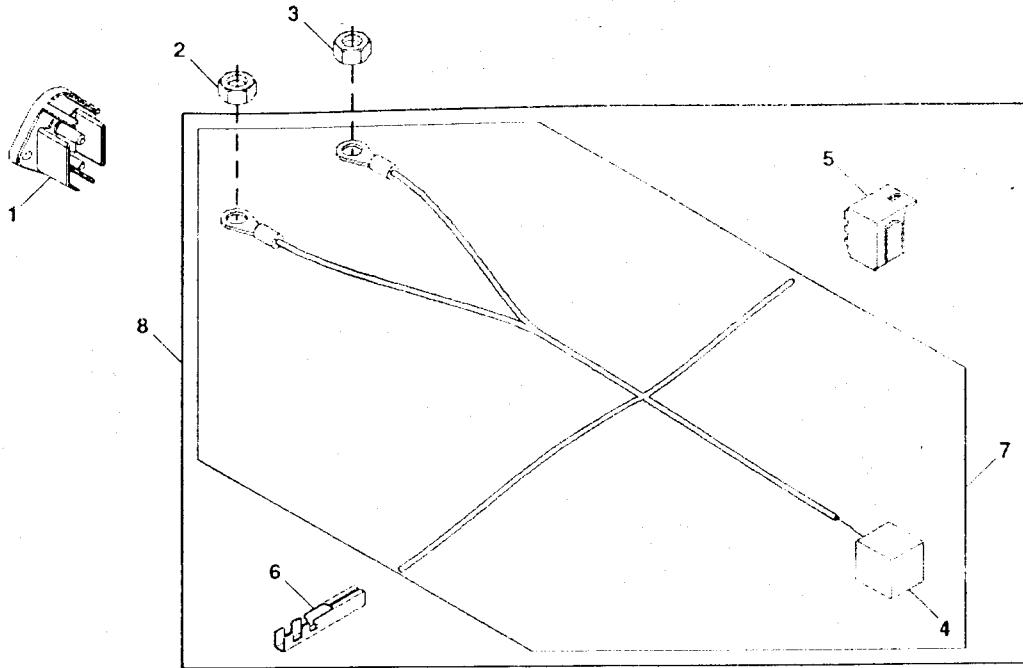
RE027045

KEY	PART NO.	PART NAME	QTY.	CAB SERIAL NO	A L L	REMARKS
1	AR56766	HOUSING	2		X	
2	R131671	PLUG	2		X	
3	RE37640	SOCKET OUTLET	1	XXXXXX	X	
	RE241868	WIRING HARNESS	1	XXXXXX-	X (A)	
4	R133192	RIVET	4		X	
5	RE67821	WIRING HARNESS	1		X	
6	21H1463	CAP SCREW	2		X	0.190" X 7/8"
7	R111931	JUNCTION BLOCK	1		X	
8	RE227767	ROOF WIRING HARNESS	1		X	

(A) EUROPEAN VERSION  
 VERSION EUROPEENNE  
 EUROPÄISCHE AUSFUEHRUNG  
 VERSIONE EUROPEA  
 VERSION EUROPEA  
 EUROPEISK VERSION

**WIRING HARNESS (BRAKE LIGHTS)**  
**FAICEAU DE CABLES (FEUX DES FREINS)**  
**KABELBAUM (BREMSLICHT)**  
**CABLAGGIO (LUCE DEI FRENI)**  
**GRUPO DE CABLES (LUCES DE FRENO)**  
**KABELHAERVA (BROMSLJUS)**

RXA0082204 -UN-11JUL05



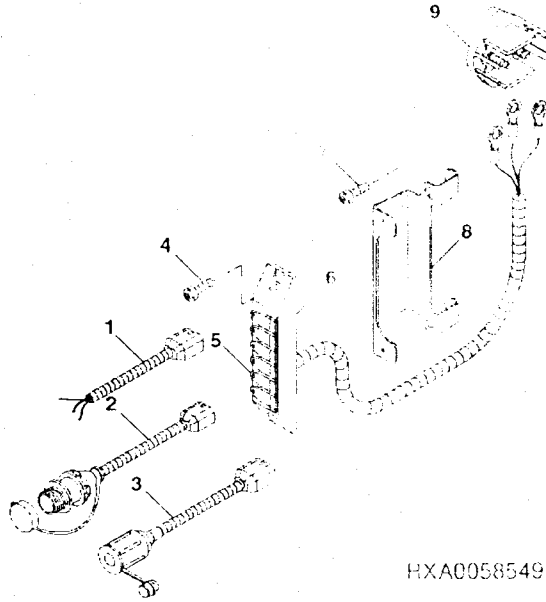
HXA0082204

KEY	PART NO.	PART NAME	QTY.	TRACTOR SERIAL NO.	A	REMARKS
					L	
1	R111931	JUNCTION BLOCK	1		X	
2	14M7194	NUT	1		X M6	
3	14M7297	NUT	1		X M5	
4	RE68327	RELAY	1		X	
5	ET15766	ELEC. CONNECTOR HOUSING	1		X	
6	R104846	ELEC. CONNECTOR TERMINAL	1		X	
	57M7258	ELEC. CONNECTOR ACCESSORY	1		X	
7	RE61403	WIRING HARNESS	1		X	
8	RE236713	FIELD INSTALLATION KIT	1		X	



AUXILIARY POWER STRIP  
 MULTIPRISE AUXILAIRES  
 ZUSAETZLICHE MEHRFACH-STECKDOSE  
 BASETTA AUSILIARIA DI ALIMENTAZIONE  
 TIRA DE CONEXION DE ALIMENTACION AUXILIAR  
 RESERVUTTAGSPLINT

RXA0058549 -UN-21NOV01



HXA0058549

KEY	PART NO.	PART NAME	QTY	TRACTOR SERIAL NO	A L L	REMARKS
1	RE67013	ADAPTER FITTING	1		X	
2	RE67015	ADAPTER FITTING	1		X (A)	
	RE67016	ADAPTER FITTING	1		X (B)	
3	RE67014	ADAPTER FITTING	1		X	
4	37M7160	SCREW	2		X	M6 X 16
5	RE67019	CAP	5		X	
6	RE68495	FIELD INSTALLATION KIT	1		X	
7	R52931	SCREW	2		X	
8	R132150	BRACKET	1		X	
9	R111931	JUNCTION BLOCK	1		X	

(A) NORTH AMERICAN VERSION  
 VERSION NORD AMERICAINE  
 NORDAMERIKANISCHE  
 VERSIONE NORDAMERICANA  
 VERSION NORTEAMERICANA  
 NORDAMERIKANISKA VERSION

(B) EUROPEAN VERSION  
 VERSION EUROPEENNE  
 AUSFUEHRUNG EUROPEAEISCHE  
 VERSIONE EUROPEA  
 VERSION EUROPEA  
 EUROPEISK VERSION

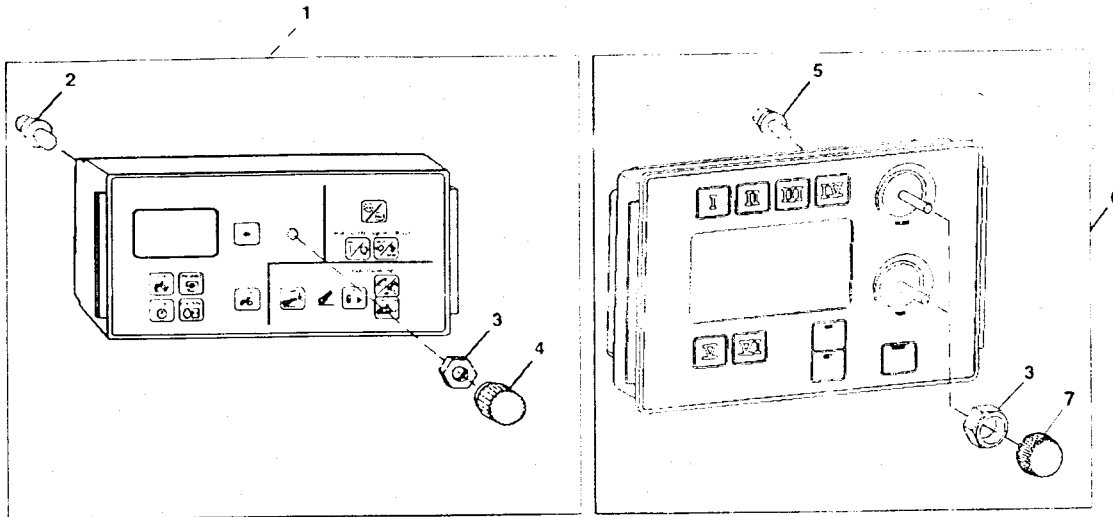
# 42-30

OPERATOR'S STATION ELECTRICAL

- INSTRUMENT CONTROL UNIT (ICU) AND SCV SETUP PANEL (SUP)
- UNITE DE COMMANDE DE TABLEAU DE BORD ET PANNEAU DE PREPARATION DE DISTRIBUTEUR SELECTIF
- INSTRUMENTEN-STEUEREINHEIT UND ZUSATZSTUERGERAET-VORBEREITUNGS-BEDIENUNGSFELD
- UNITA' DI CONTROLLO DEGLI STRUMENTI E PANNELLO DI APPRONTAMENTO DEI DISTRIBUTORI IDRAULICI
- UNIDAD DE CONTROL DE INSTRUMENTOS Y PANEL DE PREPARACION DE LA VCS
- INSTRUMENTSTYRENHET OCH FOERBEREDNINGSPANEL FOER SMV

RXA0077511

UN-16SEP04



RXA0077511

KEY	PART NO.	PART NAME	QTY	TRACTOR SERIAL NO	A L L	REMARKS
1	RE219034	VEHICLE MONITOR	1		X	(A) (PST)
	RE219053	VEHICLE MONITOR	1		X	(B) (PST)
	RE183707	VEHICLE MONITOR	1		X	(B) (IVT)
	RE183708	VEHICLE MONITOR	1		X	(A) (IVT)
2	R107890	BULB	10		X	
3	R121797	NUT	3		X	
4	R222397	KNOB	1		X	
5	R107890	BULB	8		X	
6	RE177049	SCV SETUP PANEL	1		X	
7	R121797	KNOB	2		X	

(A) NORTH AMERICAN VERSION  
 VERSION NORD AMERICAINE  
 NORDAMERIKANISCHE AUSFUEHRUNG  
 VERSIONE NORDAMERICANA  
 VERSION NORTEAMERICANA  
 NORDAMERIKANSK VERSION

(B) EUROPEAN VERSION  
 VERSION EUROPEENNE  
 EUROPÄISCHE AUSFUEHRUNG  
 VERSIONE EUROPEA  
 VERSION EUROPEA  
 EUROPEISK VERSION

KEY	PART NO.	PART NAME	QTY	TRACTOR SERIAL NO.	A L L	REMARKS
1	M115279	PLUG	AR		X	
2	RE55476	TOGGLE/ROCKER SWITCH	1		X	REAR
3	57M7255	CONNECTOR	1		X	
4	RE55477	TOGGLE/ROCKER SWITCH	1		X	MFWD
5	57M7260	CONNECTOR	1		X	
6	RE55036	HAZARD LIGHTS SWITCH	1		X	
	RE183929	TOGGLE/ROCKER SWITCH	1		X	(A)
7	AL76568	KNOB	1		X	
8	R44165	LOCK NUT	1		X	
9	RE61418	KNOB	1		X	
10	RE154222	TOGGLE/ROCKER SWITCH	1		X	(C)
	RE152475	SWITCH	1		X	(C) ATC
11	RE46634	SWITCH	1		X	FRONT
12	RE43497	ROTARY SWITCH	1		X	
13	AL76568	KNOB	1		X	
14	RE46742	TEMPERATURE SWITCH	1		X	
15	RE165815	AC COMPRESSOR SWITCH	1		X	
16	RE152147	KNOB	1		X	
17	RE203028	TOGGLE/ROCKER SWITCH	1		X	(A) PTO
18	RE188579	FIELD INSTALLATION KIT	1		X	ATC
19	RE170307	SWITCH	1		X	(B)
20	57M7247	CONNECTOR	1		X	
21	RE49727	HORN	1		X	
22	57M7254	CONNECTOR	1		X	
23	R125138	LABEL	1		X	
24	AL32891	FLASHER	1		X	(A)
25	37M7089	SCREW	1		X	M6 X 12
26	R191931	RETAINER	1		X	
27	R64822	NUT	2		X	
28	37H215	SCREW	1		X	
29	RE217864	CAP	1		X	(D)
30	R108166	RIVET	4		X	
31	R131671	PLUG	1		X	
32	AR56766	HOUSING	1		X	
33	RE221356	CONTROL	1		X	ATC
34	RE58614	PUSH PULL CABLE	1		X	
35	L155075	PLATE	1	-XXXXXX	X	(D)
36	R47474	CLIP	1		X	

(A) EUROPEAN VERSION  
VERSION EUROPEENNE  
EUROPAEISCHE  
VERSIONE EUROPEA  
VERSION EUROPEA  
EUROPEISK VERSION

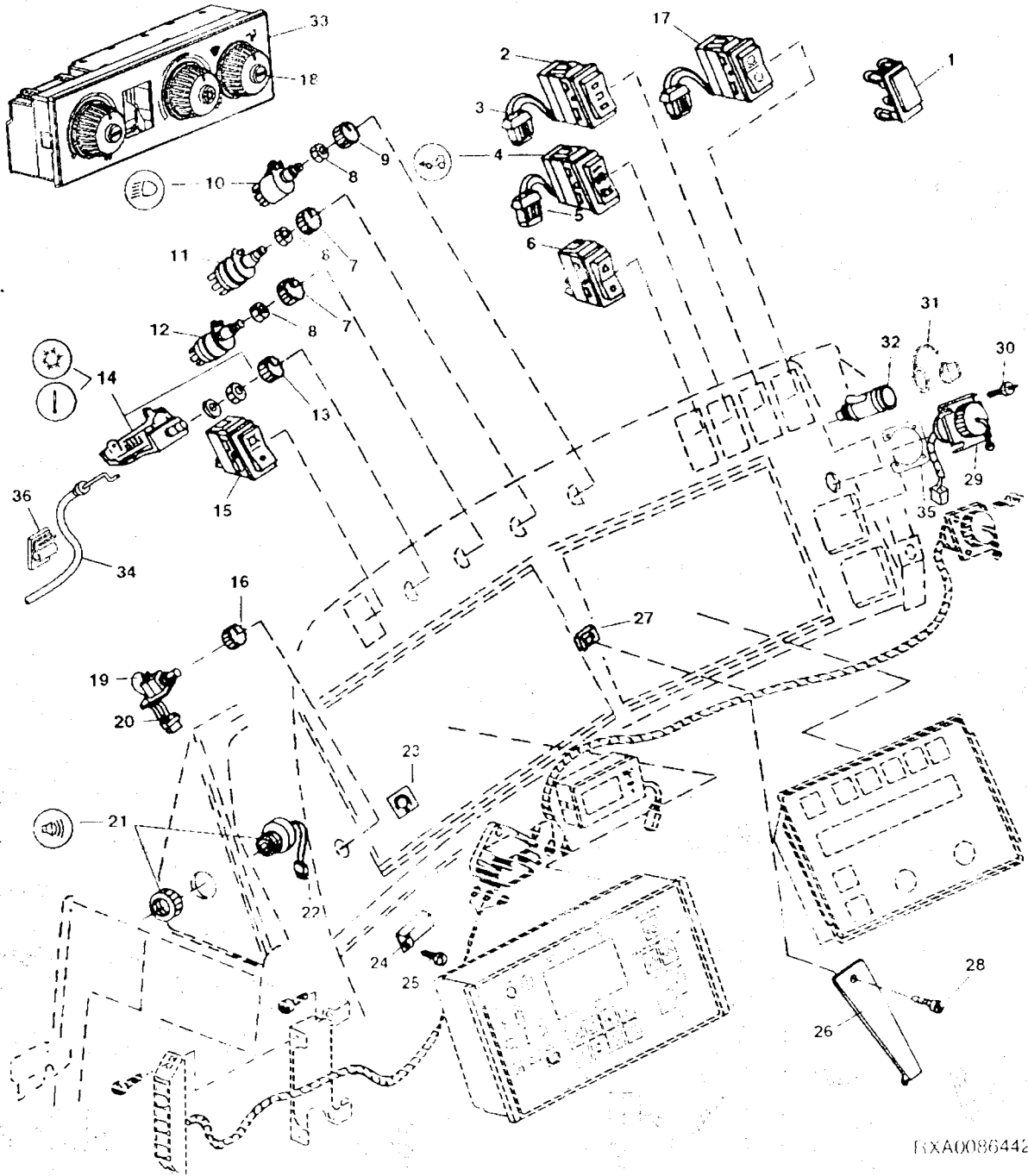
(B) FIELD CRUISE  
REGULATEUR DE VITESSE  
ARBEITSTEMPOREGLER  
VELOCITA' DI CROCIERA  
CONTROL DE CRUCERO  
ARBETSFARTHAALLARE

(C) FIELD LIGHT  
PROJECTEUR DE TRAVAIL  
ARBEITSLICHT  
LUCE DI LAVORO  
LUZ DE TRABAJO  
ARBETSLYKTA

(D) SERVICE ADVISOR  
PRISE SERVICE OUTLET  
SERVICE ADVISOR-ANSCHLUSS  
PRESA PER SERVICE ADVISOR  
SALIDA PARA SERVICE ADVISOR  
DATORUTTAG(SERVICE ADVISOR)

CONSOLE CONTROLS AND SWITCHES  
CONSOLE, COMMANDES ET INTERRUPTEURS  
KONSOLEN-BEDIENUNGSELEMENTE UND-SCHALTER  
INTERRUTTORI E COMANDI DELLA CONSOLLE  
CONTROLES E INTERRUPTORES EN LA CONSOLA  
KONSOL, REGLAGE OCH KONTAKTER

RXA0086442 -UN-01FEB06

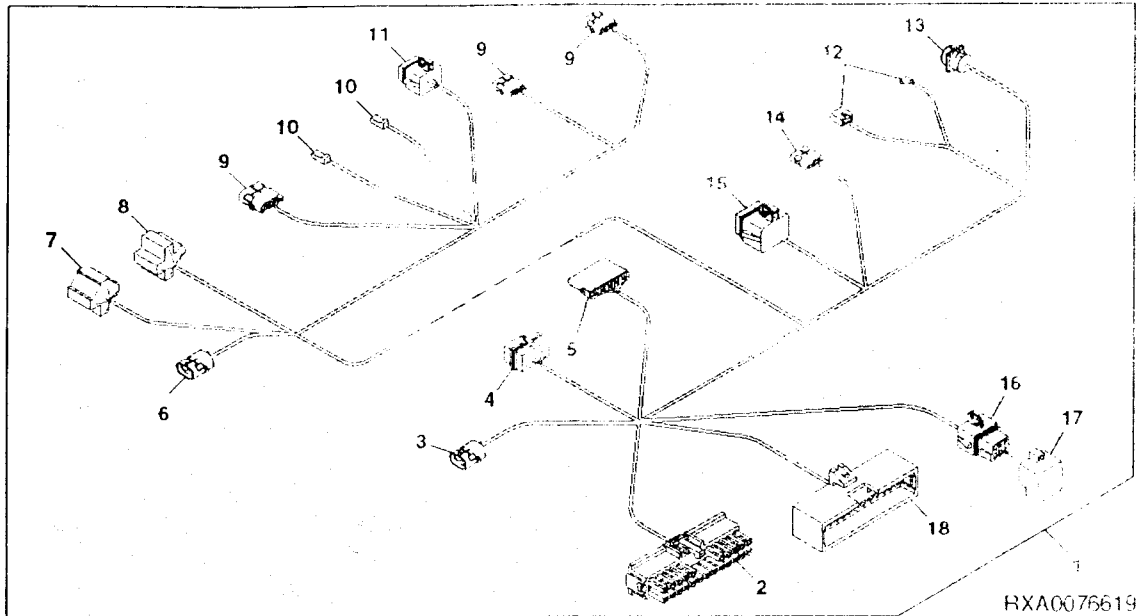


RXA0086442

THIS PARTS LISTING IS CONTINUED

**WIRING HARNESS (CONSOLE)**  
**FAISCEAU DE CABLES (CONSOLE)**  
**KABELBAUM (SCHALTKNOSOLE)**  
**CABLAGGIO (QUADRO)**  
**GRUPO DE CABLES (CONSOLA)**  
**KABELHAERVA (MANOEVERBORD)**

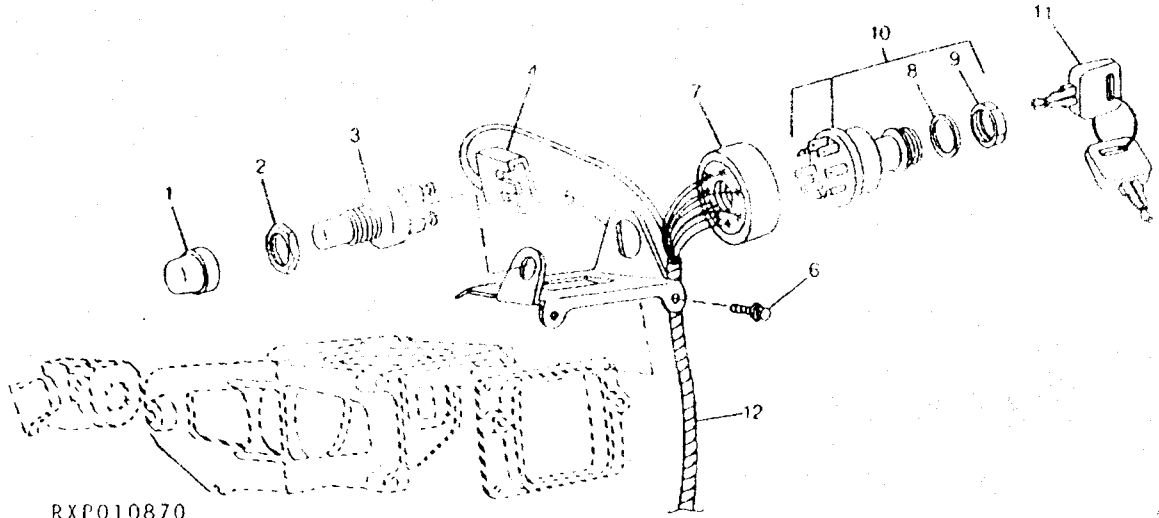
RXA0076619 -UN-30JUL04



KEY	PART NO.	PART NAME	QTY	TRACTOR SERIAL NO.	A L L	REMARKS
1	RE211474	CAB WIRING HARNESS	1	-001744	X	
	RE256016	CAB WIRING HARNESS	1	001745-	X	
2	.....	CONNECTOR	1		X	
3	57M7256	ELECTRICAL CONNECTOR ASSY	1		X	
4	.....	CONNECTOR	1		X	
5	57M7839	ELECTRICAL CONNECTOR ASSY	1		X	
6	57M7365	ELEC. CONNECTOR TERMINAL	1		X	
7	RE46735	CONNECTOR	1		X	
8	.....	CONNECTOR	1		X	
9	57M7257	ELEC. CONNECTOR HOUSING	3		X	
10	T28583	ELEC. CONNECTOR HOUSING	2		X	
11	57M7263	ELEC. CONNECTOR HOUSING	1		X	
12	.....	CONNECTOR	1		X	
13	57M7259	ELEC. CONNECTOR CAVITY PLUG	1		X	
14	R78054	ELECTRICAL CONNECTOR ASSY	1		X	
15	57M7714	ELECTRICAL CONNECTOR ASSY	1		X	
16	57M7260	ELEC. CONNECTOR HOUSING	1		X	
17	RE207311	ELECTRONIC CONTROL UNIT	1		X	
18	.....	CONNECTOR	1		X	

KEY AND ETHER AID SWITCHES  
 CONTACTEUR A CLE ET INTERRUPTEUR D'AIDE AU DEMARRAGE A L'ETHER  
 ZUNDSCHALTER UND STAATHILFESCHALTER  
 INTERRUPTORE A CHIVE E PULSANTE DI AVVIAMENTO AD ETERE  
 INTERRUPTORES DE LLAVE Y DEL AUXILIAR DE ARRANQUE CON ETER  
 TAENDLAAS OCH ETERSTARHJAELPKONTAKT

RXP010870 -UN-01JAN94



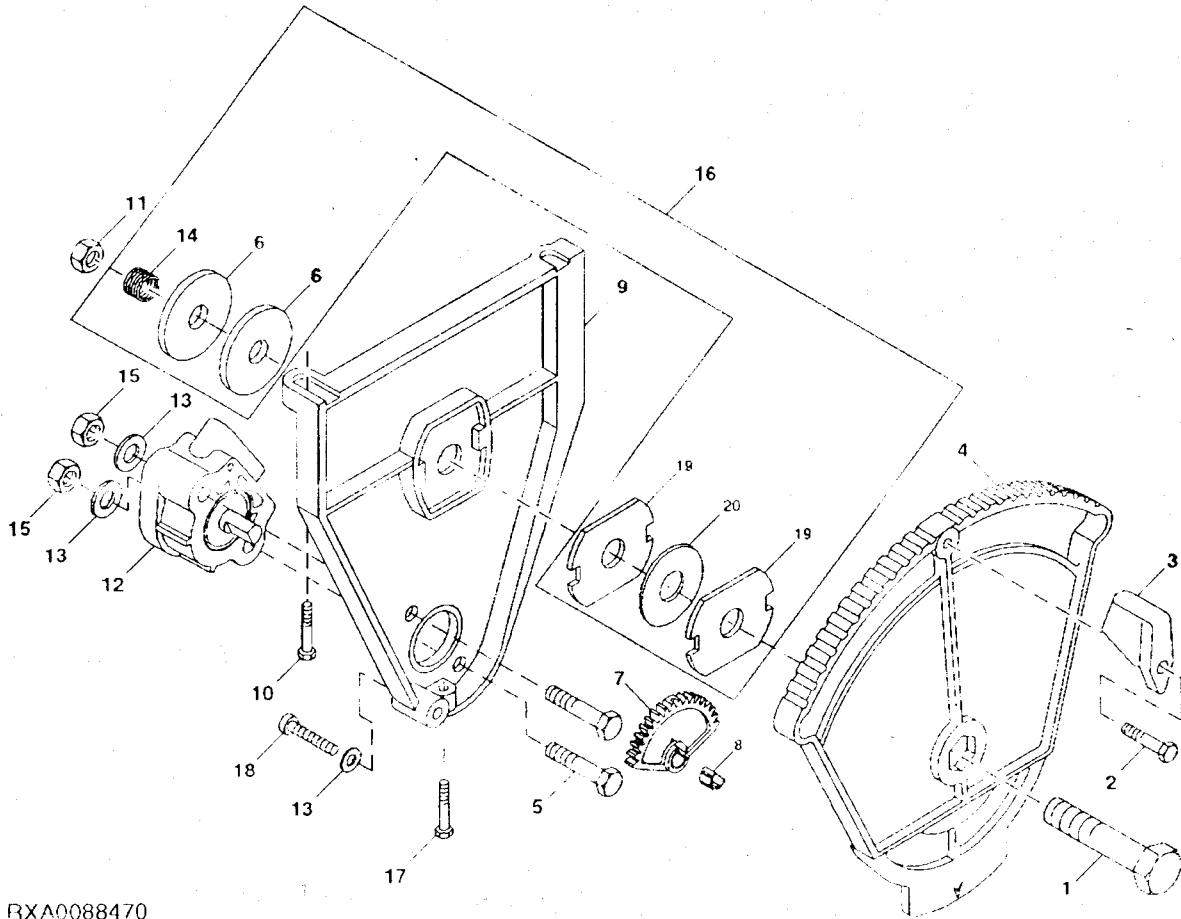
RXP010870

KEY	PART NO	PART NAME	QTY	TRACTOR SERIAL NO	A L L	REMARKS
1	T55585	CAP	1		X	
2	T15969	NUT	1		X	15.875 MM
3	R39554	SWITCH	1		X	
4	R77480	CONNECTOR	1		X	(ALSO ORDER (2) U46662)
5	R107598	BRACKET	1		X	
6	19M7775	SCREW	2		X	M6 X 16, HS 10.9
7	RE46736	ELECTRICAL CONNECTOR ASSY	1		X	(ALSO ORDER (3) 57M7429, (3) 57M7511 AND 57M7512)
8	A4827R	WASHER	1		X	
9	R44342	NUT	1		X	
10	RE61717	ROTARY SWITCH	1		X	
11	RE183935	KEY	1		X	
12	.....	CAB WIRING HARNESS	1		X	

ENGINE SPEED CONTROL (ARMREST)  
 COMMANDE DE REGIME NOTEUR (ACCOUDOIR)  
 MOTORDREHZAHLSSTEUERUNG (ARMLEHNE)  
 CONTROLLO DEL REGIME DEL MOTORE (A BRACCIOLO)  
 CONTROL DE VELOCIDAD DEL MOTOR (APOYABRAZOS)  
 MOTORVARVTALSREGLAGE (ARMSTOED)

RXA0088470

-UN-



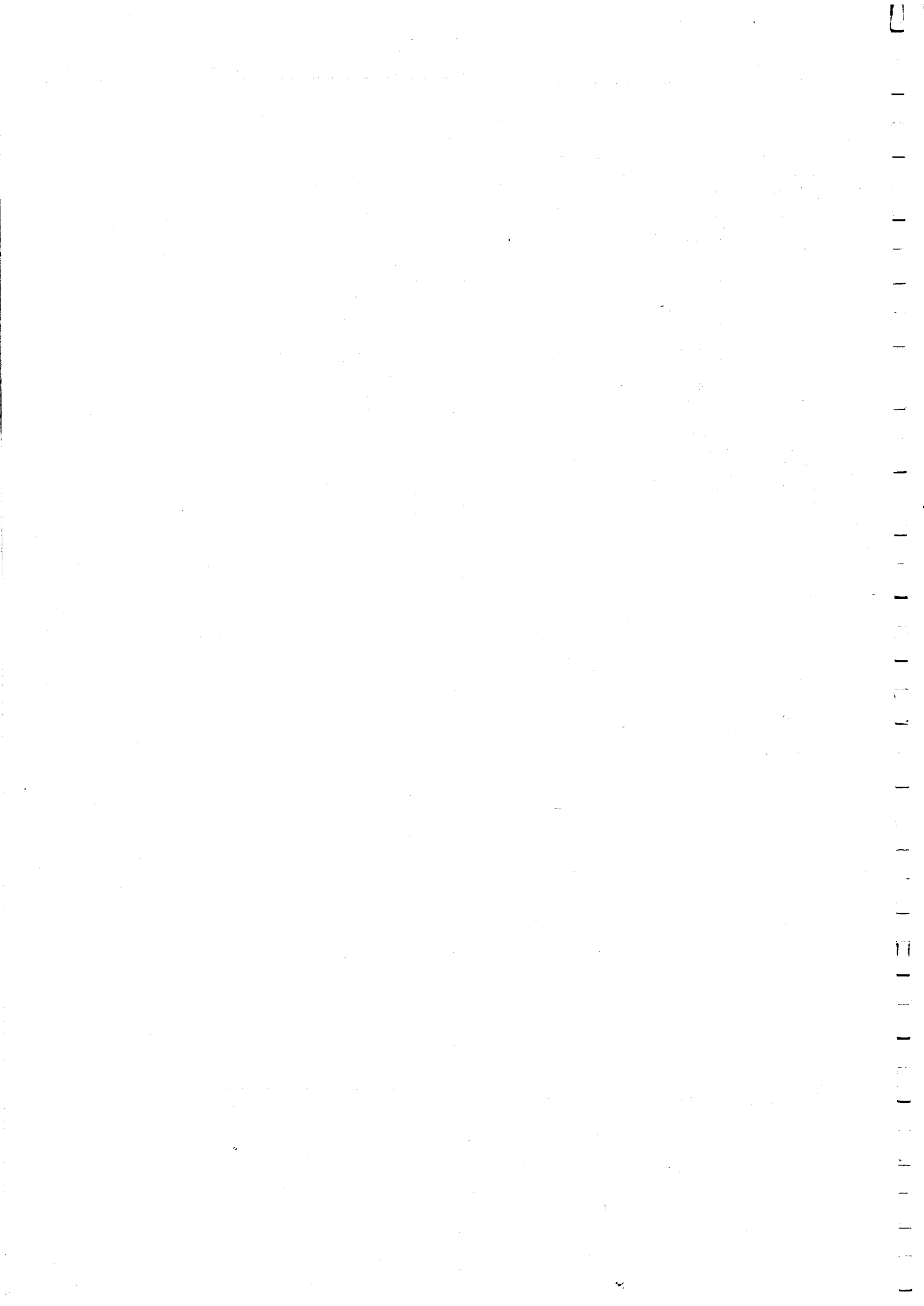
RXA0088470

THIS PARTS LISTING IS CONTINUED

KEY	PART NO.	PART NAME	QTY	TRACTOR SERIAL NO.	A L L	REMARKS
1	19M7177	CAP SCREW	1		X	M6 X 35, HS 10.9
2	19M9805	SOCKET HEAD SCREW	1		X	M3 X 16
3	R153185	KNOB	1		X	
4	R110682	LEVER	1		X	
5	21M7475	SCREW	2		X	
6	R112513	WASHER	2		X	
7	R160971	GEAR	1		X	
8	R161080	CLIP	1		X	
9	R160970	BRACKET	1		X	
10	37M7340	SCREW	2		X	
11	14M7165	LOCK NUT	1		X	M6
12	RE240198	SENSOR	1		X	
13	24M7117	WASHER	3		X	4.300 X 9 X 0.800 MM
14	R124873	SPRING	1		X	
15	14M7264	LOCK NUT	2		X	
16	RE68290	KIT	1		X	(A)
17	R117569	SCREW	1		X	
18	H111706	SCREW	1		X	
19	R122339	WASHER	2		X	
20	R259090	WASHER	1		X	

(A) FURNISH COMPONENTS  
 COMPOSANTS UNIQUEMENT  
 NUR KOMPONENTEN  
 SOLO COMPONENTI  
 SOLO COMPONENTES  
 ENDAST DELAR



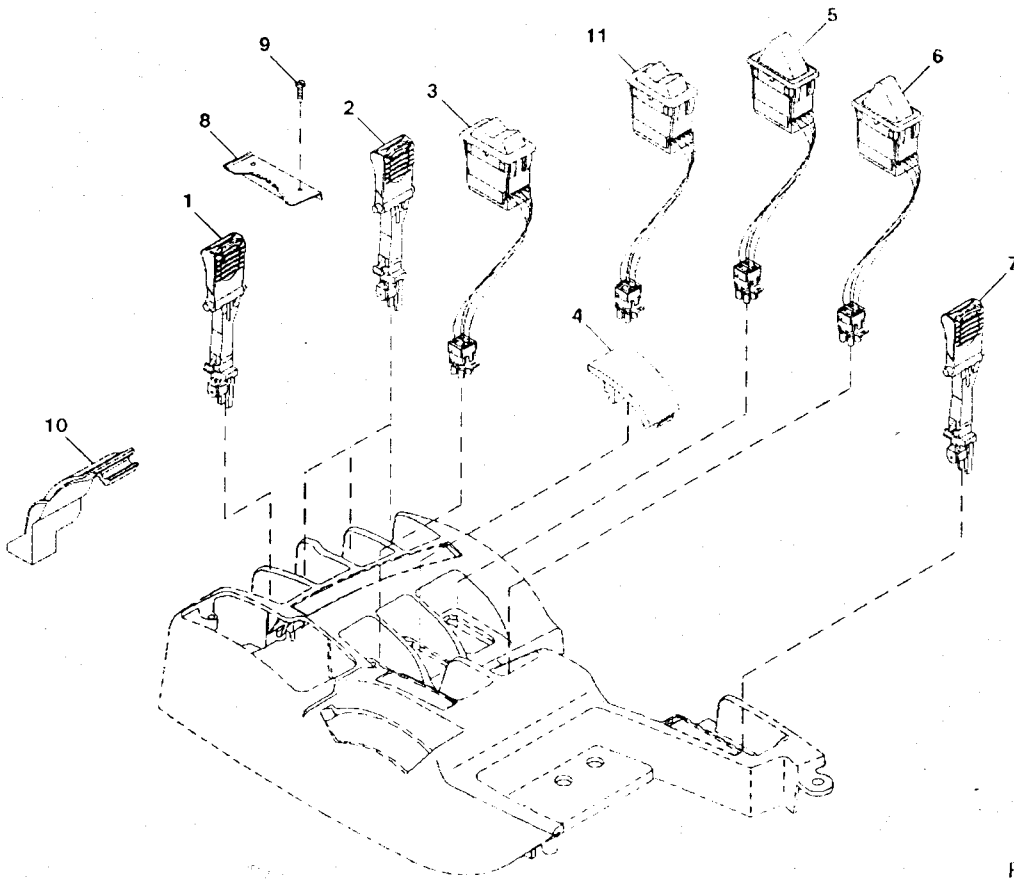


KEY	PART NO.	PART NAME	QTY.	CAB SERIAL NO.	A L L	REMARKS
1	R113246	SCREW	2		X	
2	R107588	COVER	1		X	
3	R166258	GUIDE	1		X	
4	R187690	SPRING	1		X	
5	RE218979	SENSOR	1		X	
6	R124241	SPRING	1		X	
7	19M9326	SCREW	1		X	M4 X 30
8	21M7216	SCREW	1		X	M4 X 20
9	40M7041	SNAP RING	1		X	
10	R127879	BRACKET	1		X	
11	RE174520	SWITCH	1		X	(A)
12	RE63687	SECTOR	1		X	
13	R107583	EXTENSION SPRING	1		X	
14	R153184	KNOB	1		X	
15	RE245557	LEVER	1	-002712	X	(SUB RE258526)
	RE258526	LEVER	1	002713-	X	
16	R40687	SNAP RING	1		X	
17	24M7117	WASHER	1		X	0.169" X 0.354" X 0.031"
18	R134449	SPRING	1		X	
19	R121919	PIN	1		X	
20	R121918	PIN	1		X	
21	R40687	SNAP RING	1		X	
22	R123999	PIVOT	1		X	
23	R124711	SPRING	1		X	
24	R196998	COVER	1		X	
25	R113246	SCREW	3		X	

(A) NEUTRAL START  
 DEMARRAGE AU POINT MORT  
 ANLASSICHERUNG  
 AVVIAMENTO IN FOLLE  
 ARRANQUE EN PUNTO MUERTO  
 START I NEUTRALLAEGE

ARMREST ELECTRICAL COMPONENTS  
COMPOSANTS ELECTRIQUES D'ACCOURDOIR  
ELEKTRISCHE KOMPONENTEN D.ARMSTUETZE  
COMPONENTI ELETTRICI DEL BRACCIOLO  
COMPONENTES ELECTRICOS DEL APOYABRAZOS  
ELKOMPONENTER I ARMSTOED

RXA0080184 -UN-07APR05



RXA0080184

KEY	PART NO.	PART NAME	QTY.	TRACTOR SERIAL NO.	A L L	REMARKS
1	RE216533	CONTROL LEVER	1		X	(A)
2	RE216530	ROCKER SWITCH	3		X	
3	RE223554	TOGGLE/ROCKER SWITCH	1		X	(C)
4	R166260	COVER	1		X	(W/O (E))
5	RE160963	TOGGLE/ROCKER SWITCH	1		X	(B)
	R166259	COVER	1		X	(W/O (B))
6	RE160963	ROCKER SWITCH	1		X	(D)
7	RE216530	LEVER	1		X	
8	R162125	COVER	1		X	
9	37M7384	SCREW	2		X	
10	R166261	COVER	1		X	
11	RE175353	TOGGLE/ROCKER SWITCH	1		X	(E) (SUB RE254460)
	RE236819	SWITCH	1		X	(F) (SUB RE258928)

(A) HITCH RAISE/LOWER  
 ATTELAGE, RELEVAGE ET ABAISSEMENT  
 ANHAENGEVORRICHTUNG HEBEN/SENKEN  
 SOLLEVATORE, SOLLEVAMENTO/ABBASSAMENTO  
 ELEVAR/BAJAR ENGANCHE  
 LYFT, HOE J/SAENK

(B) FRONT PTO  
 INTERRUPTEUR DE LA PDF AVANT  
 VORDERE ZAPFWELLE, SCHALTER  
 INTERRUPTORE DELLA PTO ANTERIORE  
 INTERRUPTOR DE LA TDF DELANTERA  
 KONTAKT FOER FRAEMRE KRAFTUTTAG

(D) REAR PTO  
 PDF ARRIERE  
 HINTERE ZAPFWELLE  
 PTO POSTERIORE  
 TDF TRASERA  
 BAKRE KRAFTUTTAG

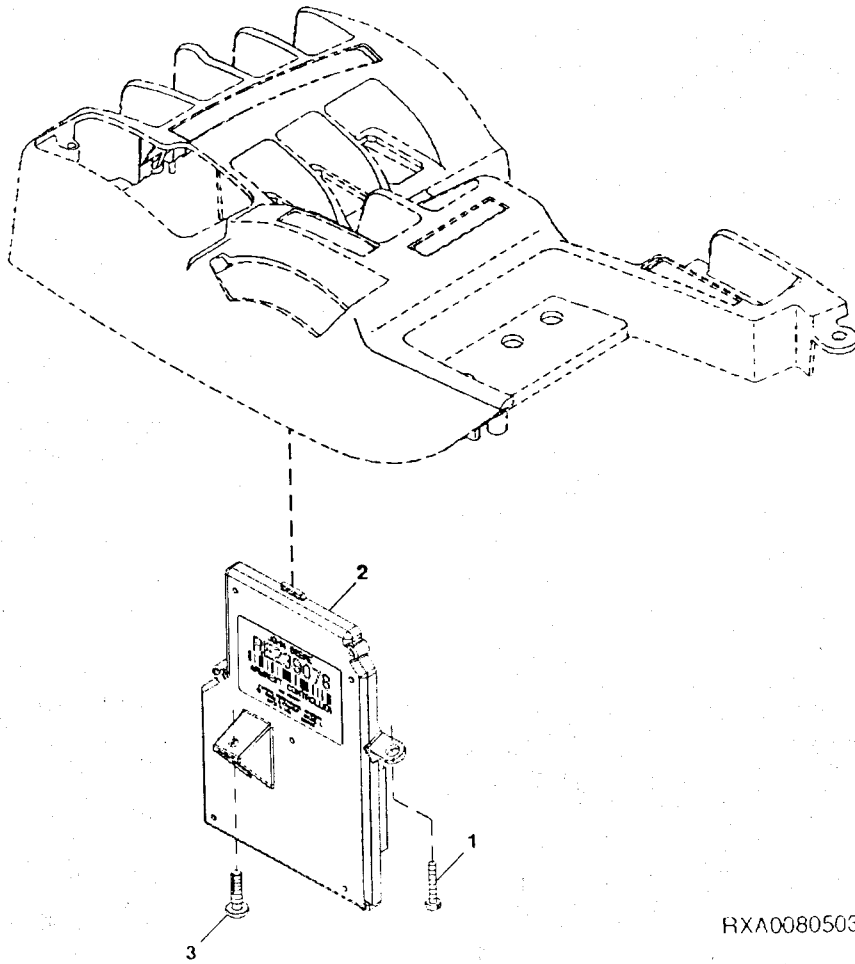
(F) AUTOTRAC  
 AUTOTRAC  
 AUTOTRAC  
 AUTOTRAC  
 AUTOTRAC  
 AUTOTRAC

(C) IMPLEMENT MANAGEMENT SYSTEM  
 SYSTEME DE CONTROLE DES ACCESSOIRES  
 ANBAUGERAETS SYSTEM  
 SISTEMA DI GESTIONE ATTREZZO  
 SISTEMA DE GESTION DE ACCESORIOS  
 REDSKAPSHANTERINGSSYSTEM

(E) AUTO SHIFT RESUME  
 RAPPEL DE CHANGEMENT DE VITESSES AUTOMATIQUE  
 SCHALTAUTOMATIK-WIEDERAUFNAHME  
 RIPRISTINO CABBIO AUTOMATICO  
 RESTABLECIMIENTO DE CAMBIOS AUTOMATICOS  
 AATERGAANG TILL AUTOMATVAEXLING

ARMREST CONTROLLER UNIT (ACU)  
ACCOUDOIR, UNTIE DE COMMANDE (ACU)  
ARMLEHNE-STEUERUNGSEINHEIT (ACU)  
UNITA' DEL REGOLATORE DEL BRACCIOLO (ACU)  
UNIDAD DE CONTROL EN EL APOYABRAZOS (ACU)  
ARMSTOED, STYRENHET (ACU)

RXA0080503 -UN-03MAY05



RXA0080503

THIS PARTS LISTING IS CONTINUED

8130, 8230, 8330, 8430, 8530 TRACTORS PC9451 (12-APR-06)  
PN=270

# 42-39

OPERATOR'S STATION ELECTRICAL

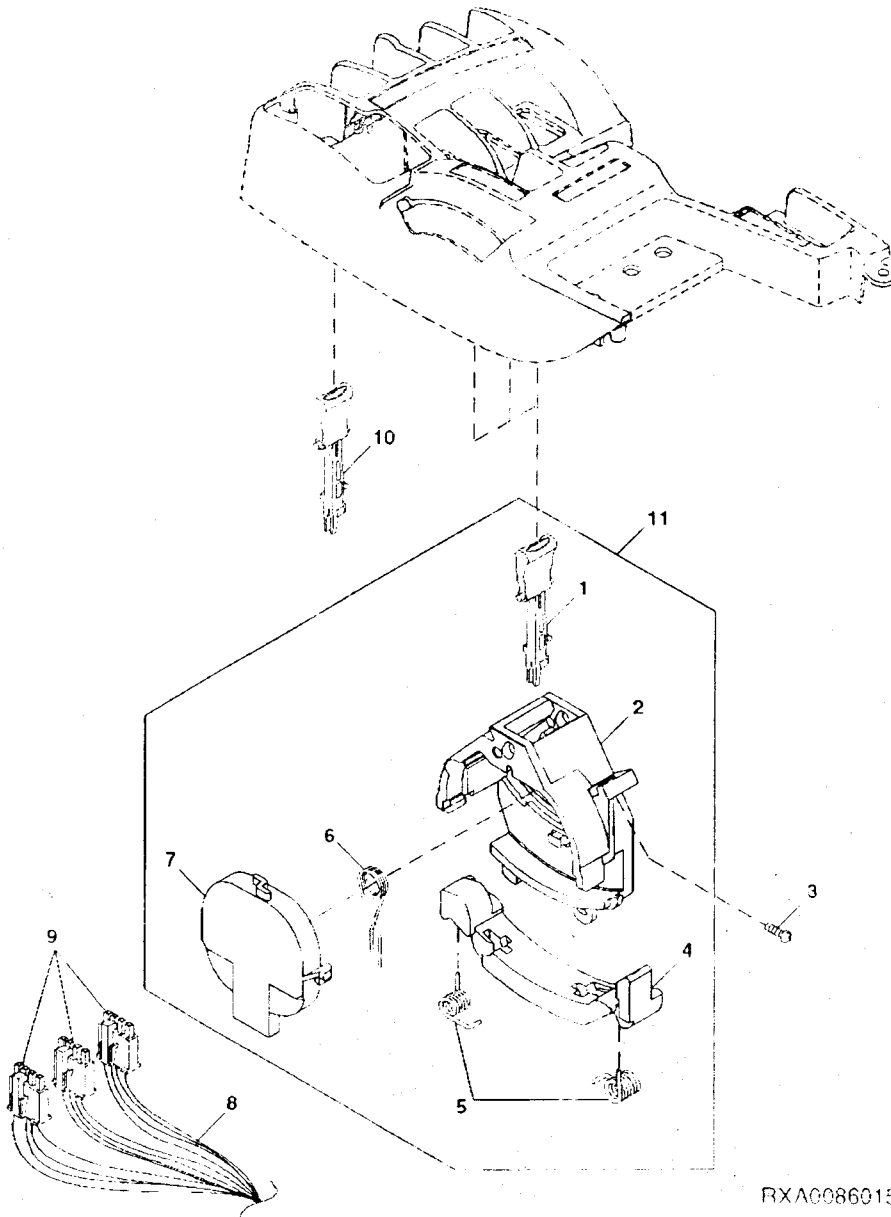
KEY	PART NO.	PART NAME	QTY.	TRACTOR SERIAL NO.	A L L	REMARKS
1	37M7384	SCREW	2		X	
2	RE239078	ELECTRONIC CONTROL UNIT	1		X	
3	R115850	SCREW	1		X	

# 42-40

OPERATOR'S STATION ELECTRICAL

SELECTIVE CONTROL LEVERS 1, 2 AND 3 (ARMREST)  
DISTRIBUTEURS SELECTIFS 1, 2 ET 3, LEVIERS (ACCOUDOIR)  
ZUSATZSTEUERGERAETHABEL 1, 2 UND 3 (ARMLEHNE)  
LEVE DI DISTRIBUTORI IDRAULICI 1, 2 E 3 (A BRACCIOLO)  
PALANCAS DE CONTROL SELECTIVO 1, 2 Y 3 (APOYABRAZOS)  
SELEKTIV MANOEVERTENTIL NR 1,2 OCH 3, SPAKAR (ARMSTOED)

RXA0086015 -UN-18JAN06



RXA0086015

# 42-41

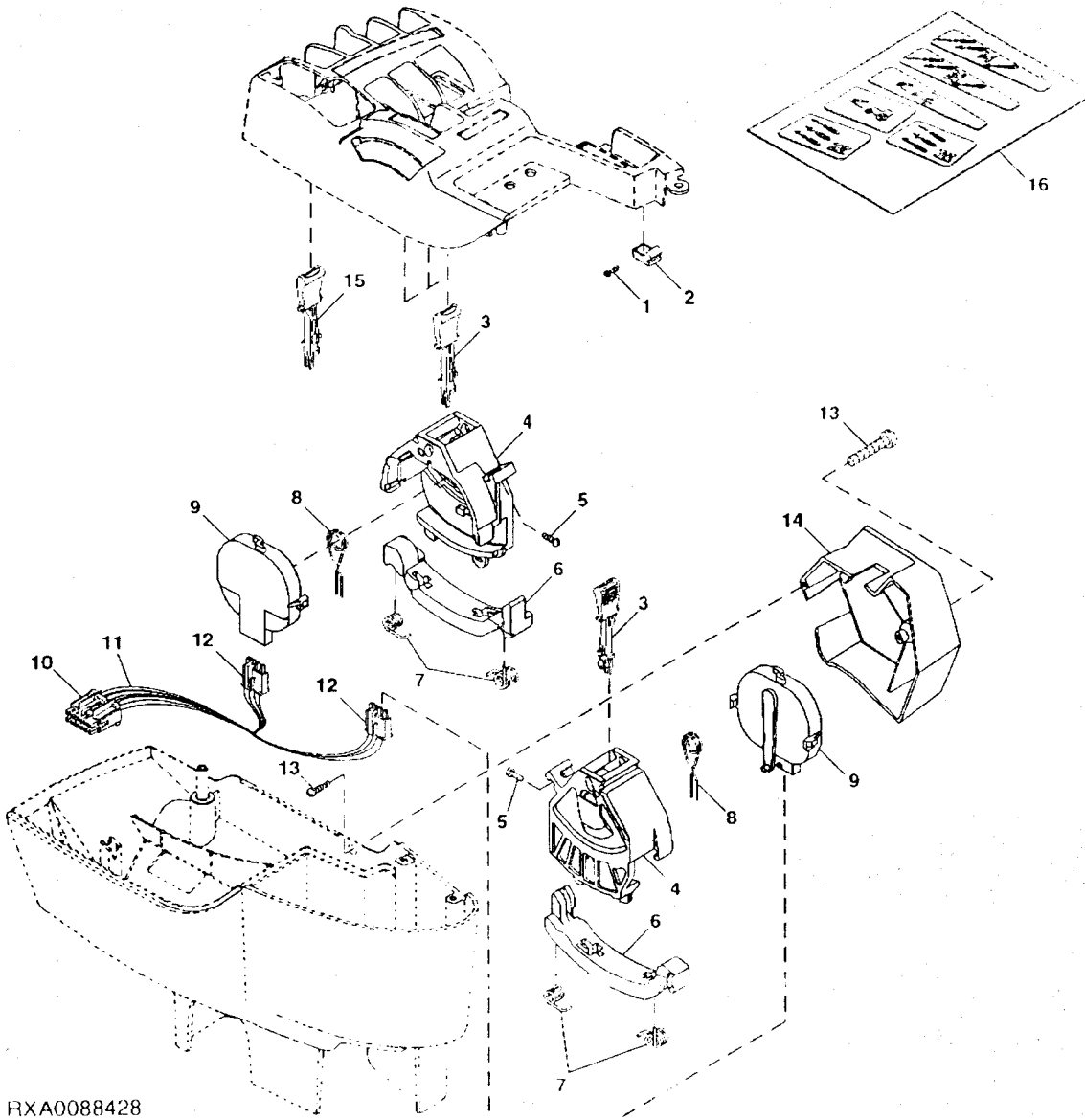
OPERATOR'S STATION ELECTRICAL

KEY	PART NO.	PART NAME	QTY.	TRACTOR SERIAL NO.	A L L	REMARKS
1	RE216530	LEVER	3		X	
2	R171535	BRACKET	3		X	
3	R115850	SCREW	3		X	
4	R125878	ARM	3		X	
5	R217571	TORSION SPRING	6		X	
6	R125879	TORSION SPRING	3		X	
7	RE60659	SENSOR	3		X	
8	RE211478	CAB WIRING HARNESS	1		X	
9	57M7708	ELECTRICAL CONNECTOR ASSY	3		X	(ALSO ORDER (4) 57M7551)
10	RE216533	CONTROL LEVER	1		X	
11	AR114522	SCV CONTROLLER	1		X	



SELECTIVE CONTROL LEVERS 4 AND 5 (ARMREST)  
 DISTRIBUTEURS SELECTIFS 4 ET 5 LEVIERS (ACCOUDOIR)  
 ZUSATZSTEUERGERAETHEBEL 4 UND 5 (ARMLEHNE)  
 LEVE DI DISTRIBUTORI IDRAULICI 4 E 5 (A BRACCIOLO)  
 PALANCAS DE CONTROL SELECTIVO 4 Y 5 (APOYABRAZOS)  
 SELEKTIV MANOEVERVENTIL NR 4 OCH 5, SPAKAR (ARMSTOED)

RXA0088428 -UN-11APR06



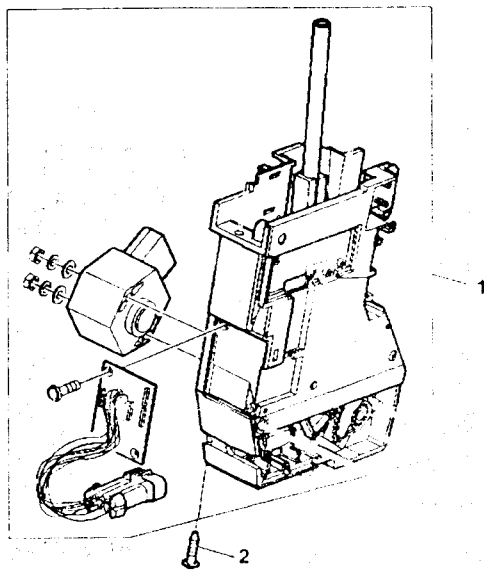
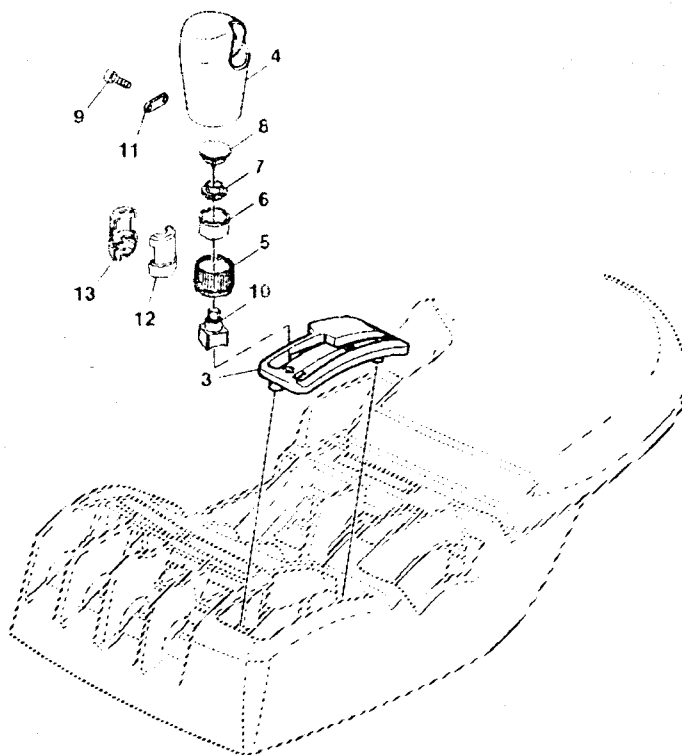
RXA0088428

THIS PARTS LISTING IS CONTINUED

KEY	PART NO.	PART NAME	QTY	TRACTOR SERIAL NO	A L L	REMARKS
1	R115850	SCREW	1		X	
2	R162124	COVER	1		X	
3	RE216530	LEVER	2		X	
4	R171535	BRACKET	1		X	
5	R115850	SCREW	1		X	
6	R125878	ARM	1		X	
7	R217571	TORSION SPRING	2		X	
8	R125879	TORSION SPRING	1		X	
9	RE60659	SENSOR	1		X	
10	57M7714	ELECTRICAL CONNECTOR ASSY	1		X	(ALSO ORDER (6) 57M7549)
11	RE223879	WIRING HARNESS	1		X	
12	57M7708	ELECTRICAL CONNECTOR ASSY	2		X	(ALSO ORDER (8) 57M7549)
13	37M7406	SCREW	2		X	
14	R162126	HOUSING	1		X	
15	RE216533	CONTROL LEVER	1		X	
16	RE253625	LABEL KIT	1		X	

IVT SHIFTING (COMMAND ARM)  
COMMANDE IVT (ACCOUDOIR "COMMAND ARM")  
IVT SCHALTUNG (COMMAND ARM)  
CAMBIO RAPPORTI CON IVT (COMMAND ARM)  
CAMBIO DE LA TRANSM. IVT (CONSOLA COMMAND ARM)  
IVT VAEXLING (COMMAND ARM)

RXA0080185 -UN-02MAY05



RXA0080185

THIS PARTS LISTING IS CONTINUED

# 42-45

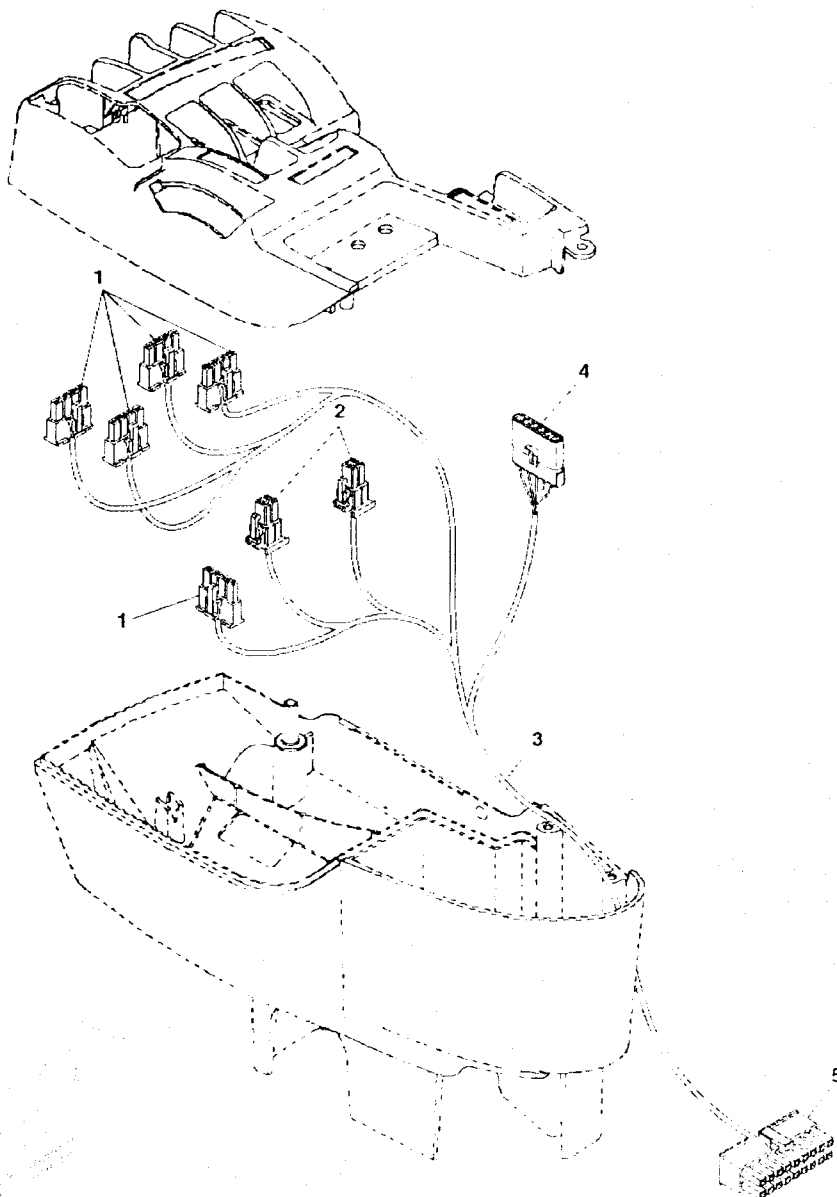
OPERATOR'S STATION ELECTRICAL

KEY	PART NO.	PART NAME	QTY.	SERIAL NO.	A L L	REMARKS
1	RE245190	CONTROL	1		X	
	RE245189	CONTROL	1		X	(A)
2	37M7345	SCREW	2		X	
3	R173025	GUIDE	1		X	
4	R243382	COVER	1		X	
5	L114997	KNOB	1		X	
6	L116193	NUT	1		X	
7	L116148	SUPPORT	1		X	
8	L116147	COVER	1		X	
9	37M7342	SCREW	2		X	
10	RE225573	SENSOR	1		X	(A)
11	L114994	STRAP	1		X	
12	R243381	GRIP	1		X	
13	R243380	GRIP	1		X	

(A) W/ REVERSER  
 W/ INVERSEUR DEMARCHE  
 W/ UMKEHRGETRIEBE  
 W/ INVERTITORE  
 W/ INVERSOR DE MARCHA  
 W/ FRAM-BACKKOPPLINGS

WIRING HARNESS (ARMREST TO CAB)  
FAISCEAU DE FILS (ENTRE ACCOUDOIR ET CABINE)  
KABELBAUM (ARMLEHNE ZUR KABINE)  
CABLAGGIO (DA BRACCIOLA A CABINA)  
GRUPO DE CABLES (APOYABRAZOS A LA CABINA)  
KABELHAERVA (ARMSTOED TILL HYTT)

RXA0069319 UN-23JUL03

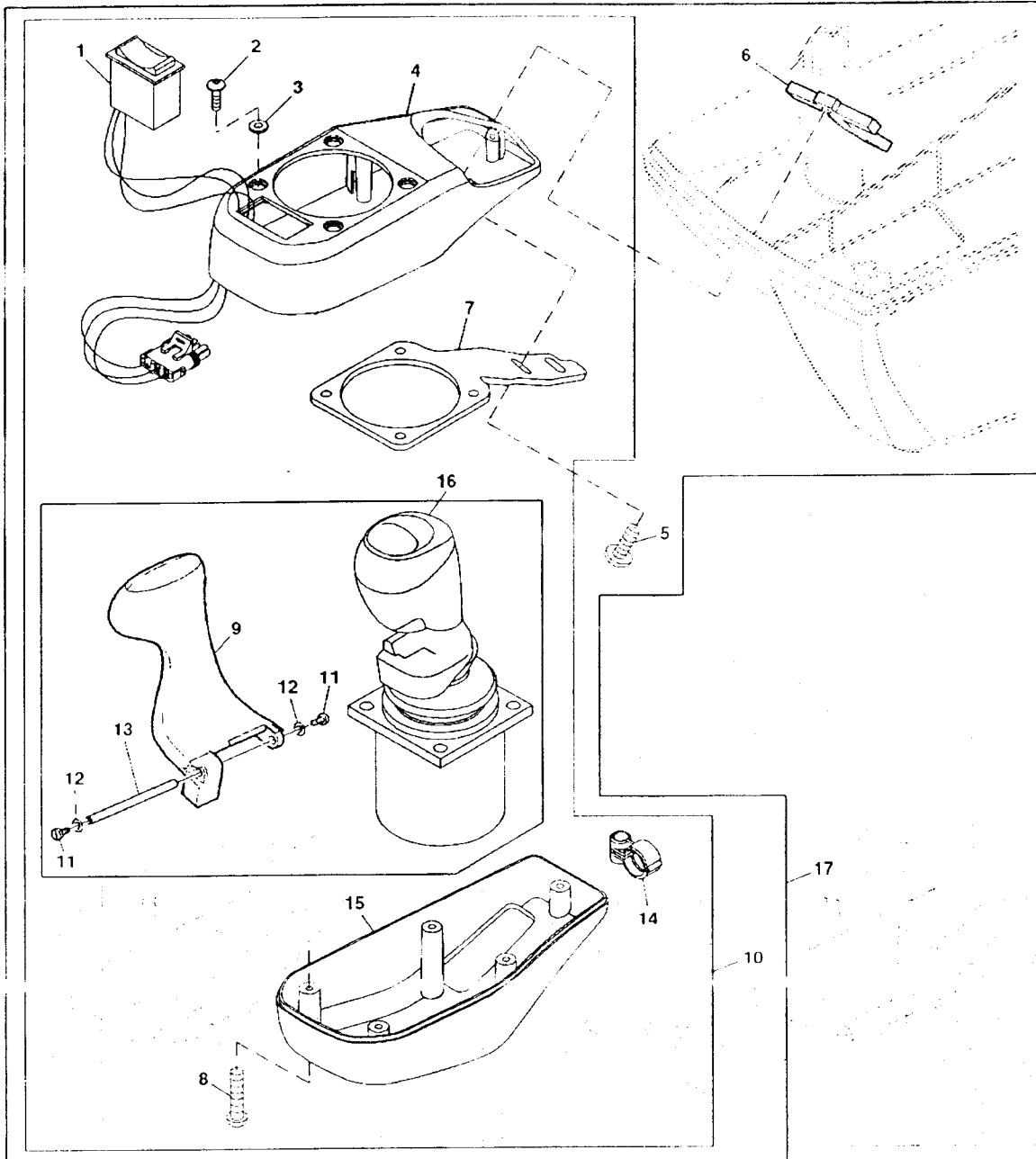


RXA0069319

KEY	PART NO.	PART NAME	QTY	TRACTOR SERIAL NO.	A	REMARKS
					L	
1	57M7708	CONNECTOR	5		X	(ALSO ORDER (20) 57M7551)
2	57M7713	CONNECTOR	2		X	
3	RE211478	WIRING HARNESS	1		X	
4	57M7708	ELECTRICAL CONNECTOR ASSY	1		X	
5	.....	CONNECTOR	1		X	
..	R105388	TIE BAND	2		X	
..	R44302	TIE BAND	1		X	

SINGLE LEVER CONTROL  
COMMANDE A LEVIER UNIQUE  
EINZELHEBELBEDIENUNG  
COMANDO A LEVA SINGOLA  
PALANCA SENCILLA DE CONTROL  
ENSPAKSSTYRNING

RXA0080295 -UN-14APR05



RXA0080295

THIS PARTS LISTING IS CONTINUED

## 42-49

OPERATOR'S STATION ELECTRICAL

KEY	PART NO.	PART NAME	QTY	SERIAL NO.	A L L	REMARKS
1	AL113865	TOGGLE/ROCKER SWITCH	1		X	
2	19M8831	SCREW	4		X	M5 X 16
3	L113119	WASHER	4		X	
4	L152161	HOUSING	1		X	
5	L151020	SCREW	2		X	
6	L153387	INSERT	1		X	
7	L151887	BRACKET	1		X	
8	37M7286	SCREW	5		X	
9	L116119	ACTUATOR	1		X	
10	RE236715	CONTROL LEVER	1		X	
11	L115772	BOLT	2		X	
12	L115773	WASHER	2		X	
13	L115253	PIN FASTENER	1		X	
14	L113570	CLAMP	1		X	
15	L152378	HOUSING	1		X	
16	RE233558	CONTROL LEVER	1		X	
17	AR243091	FIELD INSTALLATION KIT	1		X	

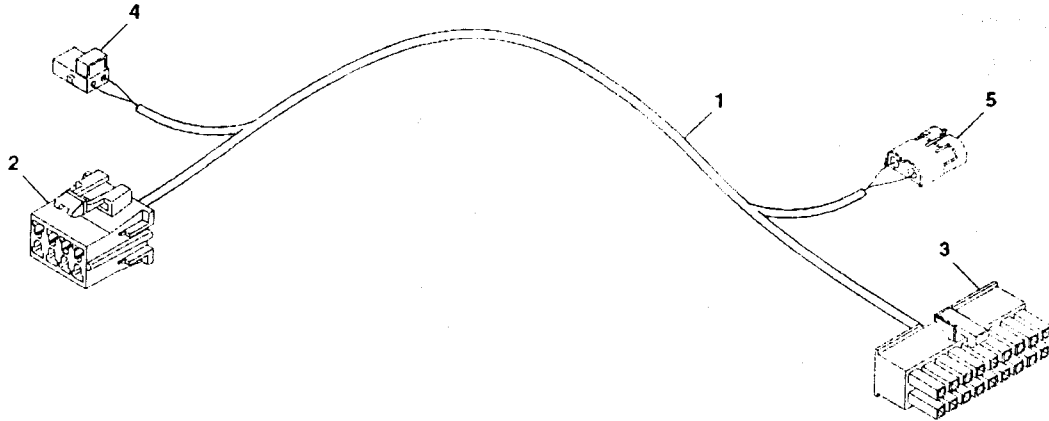


# 42-50

OPERATOR'S STATION ELECTRICAL

WIRING HARNESS (ACU) MAIN  
 FAISCEAU DE FILS (ACU) PRINCIPAL  
 KABELBAUM (ACU) HAUPT  
 CABLAGGIO (ACU) PRINCIPALE  
 ARNES DE ALAMBRADO (ACU) PRINCIPAL  
 KABELHAERVA (ACU) HUVUD

RXA0076621 -UN-03AUG04

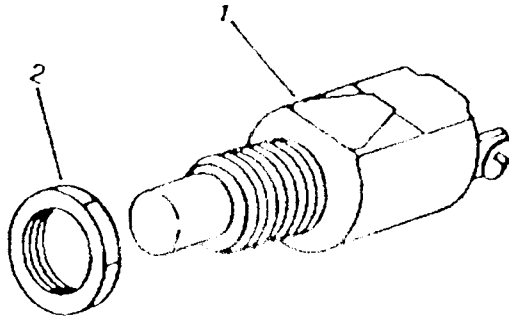


RXA0076621

KEY	PART NO.	PART NAME	QTY	TRACTOR SERIAL NO.	A L L	REMARKS
1	RE211476	CAB WIRING HARNESS	1		X	
2	57M8271	ELECTRICAL CONNECTOR ASSY	1		X	
3	.....	CONNECTOR	1		X	
4	.....	CONNECTOR	1		X	
5	.....	CONNECTOR	1		X	

DOOR LIGHT SWITCH  
 PORTE, INTERRUPTEUR D'ECLAIRAGE  
 TUER-LICHTSCHALTER  
 INTERRUPTORE DELLA LUCE DELLA PORTA  
 INTERRUPTOR DE LUZ DE PUERTA  
 DOERR, BELYSNINGSKONTAKT

RXP011179 -UN-01JAN94

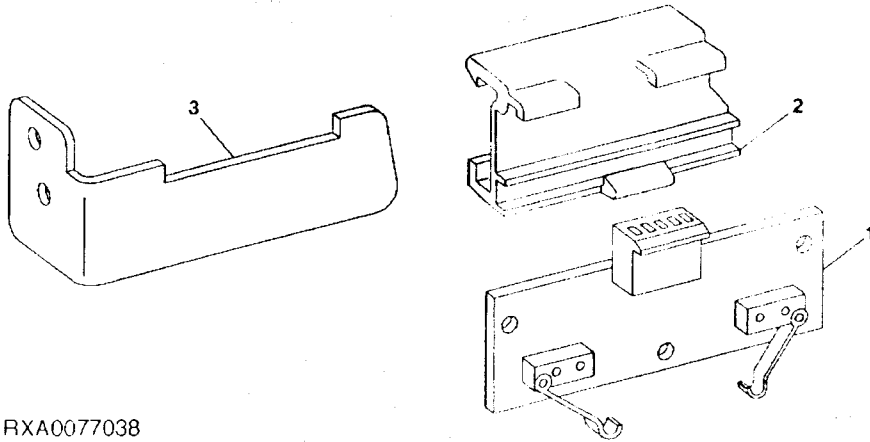


RXP011179

KEY	PART NO.	PART NAME	QTY.	CAB SERIAL NO.	A L L	REMARKS
1	RE51234	PUSH SWITCH	1		X	
2	R44097	NUT	1		X	

**BRAKE SWITCH**  
**FREIN, INTERRUPTEUR**  
**BREMSSCHALTER**  
**INTERRUPTORE DEL FRENO**  
**INTERRUPTOR DE FRENO**  
**BROMSKONTAKT**

RXA0077038 UN-20AUG04



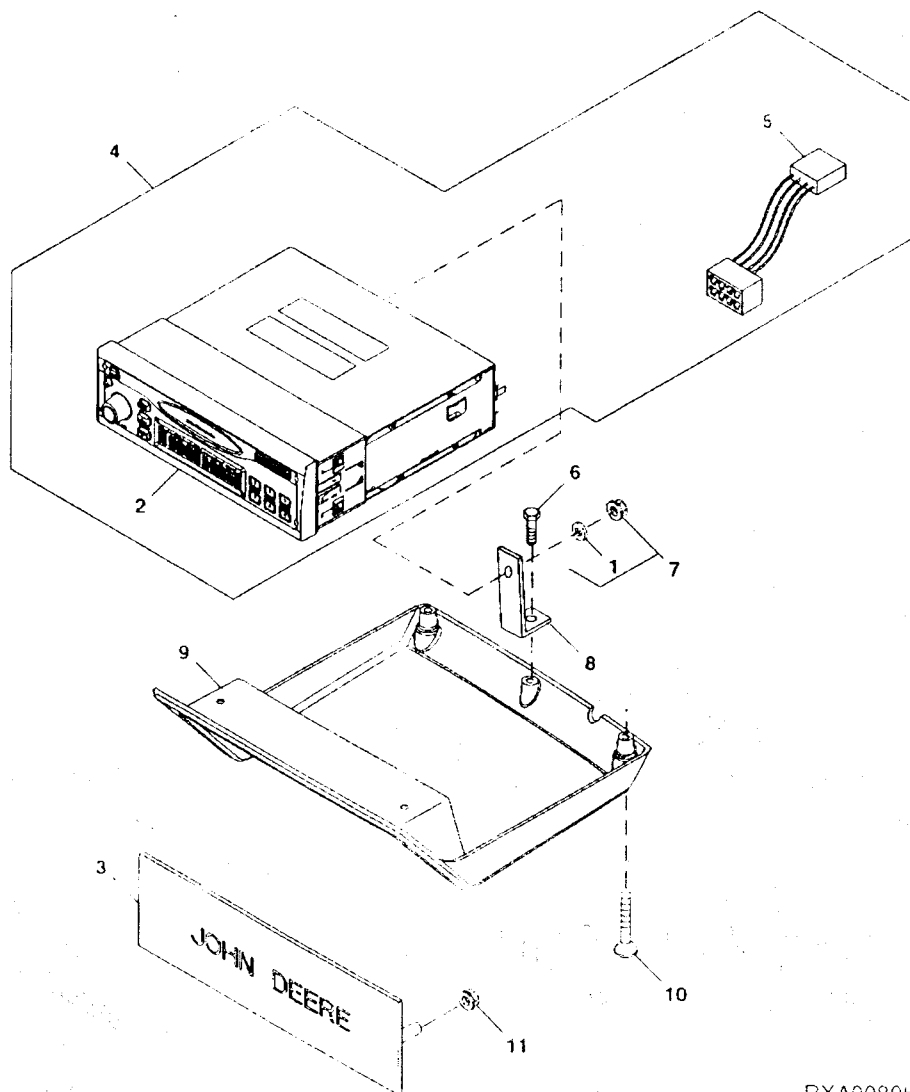
RXA0077038

KEY	PART NO.	PART NAME	QTY.	CAB SERIAL NO.	A L L	REMARKS
1	RE66277	PUSH SWITCH	1		X	
2	R124716	RETAINER	1		X	
3	R194599	BRACKET	1		X	

MEMORANDA  
MEMORANDA  
MEMORANDA  
MEMORANDA  
MEMORANDA

RADIO AND BRACKETS  
RADIO ET SUPPORT  
RADIO UND KONSOLE  
RADIO E STAFFA  
RADIO Y SOPORTE  
RADIO OCH KONSOL

RXA0080568 -UN-05MAY05



RXA0080568

THIS PARTS LISTING IS CONTINUED

KEY	PART NO.	PART NAME	QTY.	CAB SERIAL NO.	A	REMARKS
					L	
1	24M7138	WASHER	1		X	5.300 X 15 X 1.200 MM
2	RE190139	RADIO	1		X	(A)
	RE190140	RADIO	1		X	(C)
3	RE227953	RADIO	1		X	(D)
	H132795	PANEL	4		X	(B)
4	RE196193	RADIO	1		X	(A) (Fi)
	RE234151	RADIO	1		X	(D) (Fi)
5	RE165739	RADIO SPEAKER WRG HARNESS	1		X	
6	21M7395	SCREW	1		X	M4 X 8
7	14M7207	NUT	1		X	M5
8	R113042	BRACKET	1		X	
9	R95800	BEZEL	1		X	
10	37M7369	SCREW	4		X	
11	H117239	PUSH NUT	2		X	(B)

(A) AM/FM STEREO/WEATHERBAND	(B) W/O RADIO
STEREO MA/MF/BANDE METEOROLOGIE	W/O RADIO
AM/FM STEREO/WETTER-FREGUEZBAND	W/O RADIO
STEREO AM/FM/BANDA METEOROLOGICA	W/O RADIO
AM/FM ESTEREOFONICO/BANDA METEOROLOGIA	W/O RADIO
AM/FM STEREO/VAEDERBAND	W/O RADIO

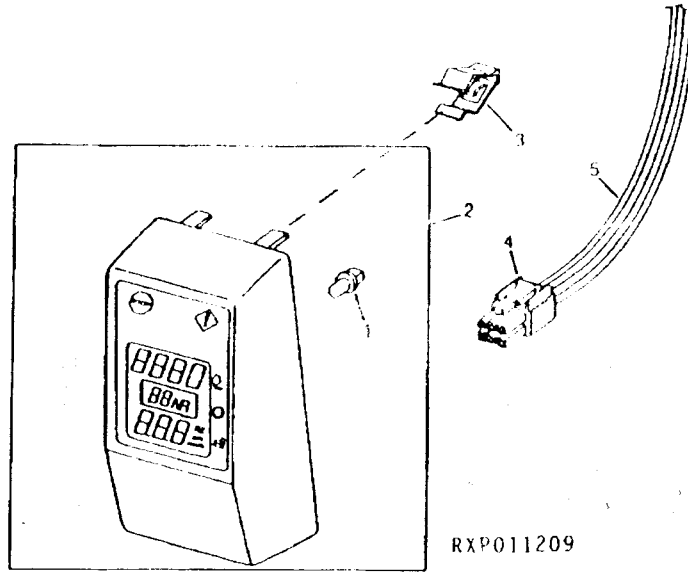
(C) AM/FM STEREO/CASSETTE/WEATHERBAND  
 STEREO MA/MF-LECTEUR DE CASSETTES-BANDE METEOROLOGIE  
 AM/FMSTEREO/KASSETTE/WETTER-FREQUENZBAND  
 STEREO AM/FM/CASSETTE/BANDAMETEOROLOGICA  
 AM/FMESTEREOFONICO/TOCACINTAS/BANDA/METEOROLOGICA  
 AM/FM STEREO/KASSETT/VAEDERBAND

(D) AM/FM STEREO/WEATHERBAND/COMPACT DISK/SATELLITE READY  
 AM/FM STEREO/BANDE METEO/DISQUE COMPACT/PRET POUR SATELLITE  
 MW/UKW STEREO/WETTERBAND/CD-PLAYER/SATELLITENBEREIT  
 STEREO AM/FM/SERVIZIO METEO/COMPACT DISK/SATELLITE PRONTO  
 RADIO AM/FM ESTEREO/BANDA METEOROLOGICA/TOCADISCOS COMPACTOS/LISTO PARA SATELITE  
 AM/FM STEREO/VAEDERBAND/CD/FAERDIG FOER SATELLIT

MEMORANDA  
MEMORANDA  
MEMORANDA  
MEMORANDA  
MEMORANDA

CORNER POST DISPLAY  
 AFFICHAGE, MONTANT D'ANGLE  
 ECKPFOSTEN-ANZEIGE  
 DISPLAY SUL MONTANTE  
 PANTALLA DE POSTE DE ESQUINA  
 HOERNSTOLPVISNING

RXP011209 -UN-01JAN94

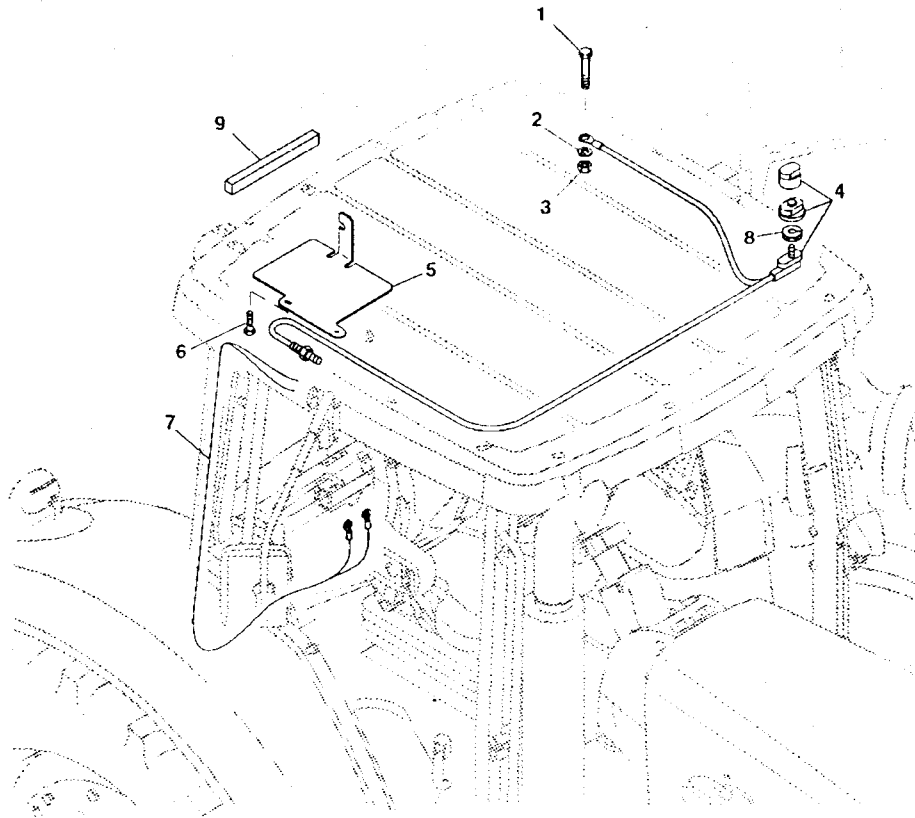


KEY	PART NO.	PART NAME	QTY.	TRACTOR SERIAL NO.	A L L	REMARKS
1	R107890	BULB	4		X (LOW)	
	R117645	BULB	3		X (UP)	
2	RE221495	TACHOMETER	1		X (SUB RE246544)	
3	R120160	CLIP	4		X	
4	57M7715	ELECTRICAL CONNECTOR ASSY	1		X	
5		CAB WIRING HARNESS	1		X	



ANTENNA CABLE AND RADIO BRACKET (MOBILE RADIO)  
 ANTENNE CABLE ET SUPPORT RADIO (RADIO MOBILE)  
 ANTENNE KABEL MIT RADIO-HALTERRUNG (FUNKGERAET)  
 ANTENNA CAVO E STAFFA DELLA RADIO (RADIO PORTATILE)  
 ESCUADRA DE ANTENA CABLES Y RADIO (TRANSCPTOR DE RADIO)  
 ANTENN KABELVAJER-OCH RADIO (MOBILRADIO)

RXA0083636 -UN-25AUG05



RXA0083636

THIS PARTS LISTING IS CONTINUED

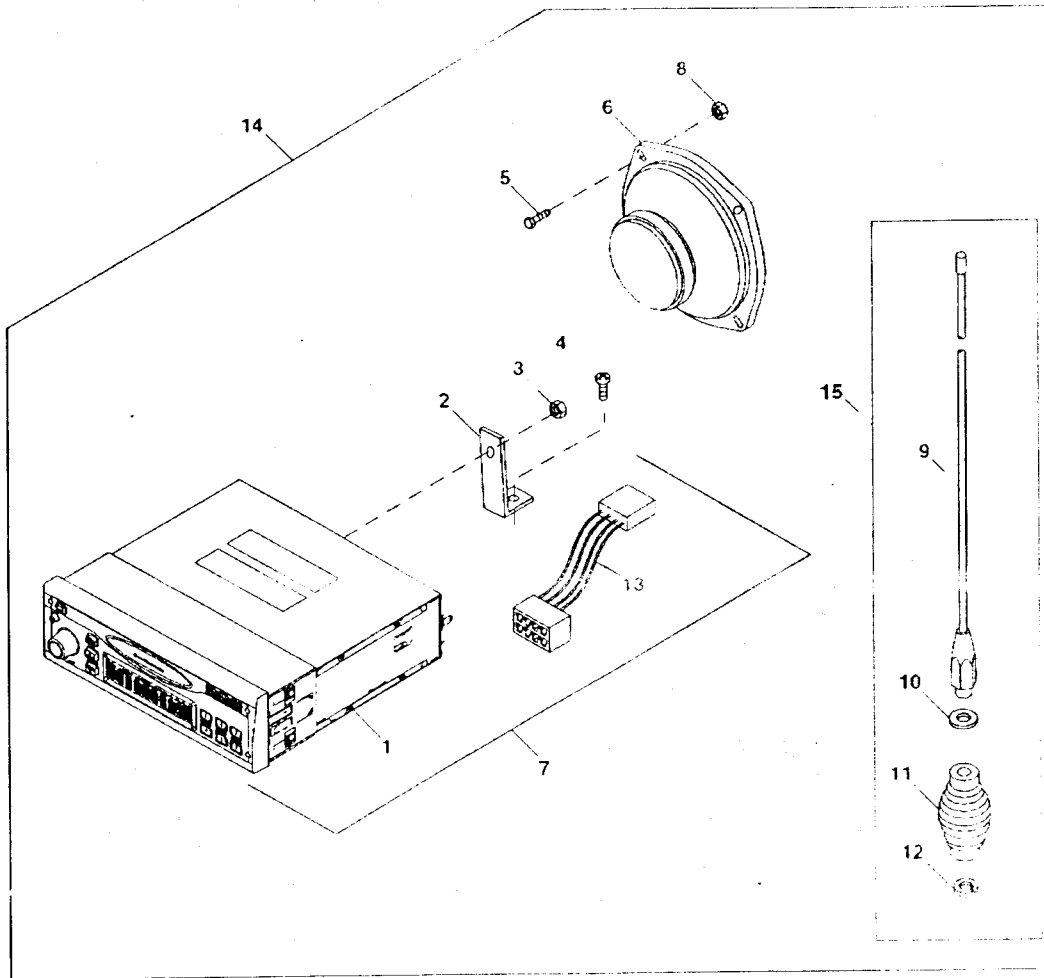
# 42-59

OPERATOR'S STATION ELECTRICAL

KEY	PART NO.	PART NAME	QTY	CAB SERIAL NO	A L L	REMARKS
1	19M7932	CAP SCREW	1		X	M8 X 16, HS 10.9
2	12M7032	LOCK WASHER	1		X	8.400 MM
3	14M7166	LOCK NUT	1		X	M8
4	RE70019	CABLE	1		X	(A)
	99M7073	PLUG	1		X	
	R134326	PLATE	1		X	(A)
6	R126355	SCREW	2		X	(A)
7	RE67820	WIRING HARNESS	1		X	
8	R41440	GROMMET	1		X	(A)
9	R125869	PAD	2		X	(A)
..	RE219922	FIELD INSTALLATION KIT	1		X	INCL KEYS MARKED (A)

RADIO, ANTENNA AND SPEAKER KIT  
 JEU DE RADIO, ANTENNE ET HAUT-PARLEURS  
 RADIO, ANTENNE UND LAUTSPRECHER-SATZ  
 KIT DELLA RADIO, ANTENNA E DEGLI ALTOPARLANTI  
 JUEGO DE RADIO, ANTENA Y ALTOPARLANTE  
 RADIO, ANTENN-OCH HOEGTALARSATS

RXA0083991 -UN-19SEP05



HXA0083991

THIS PARTS LISTING IS CONTINUED

# 42-61

OPERATOR'S STATION ELECTRICAL

KEY	PART NO.	PART NAME	QTY.	CAB SERIAL NO.	A L L	REMARKS
1	RE190139	RADIO	1		X	(A)
	RE190140	RADIO	1		X	(B)
	RE227953	RADIO	1		X	(C)
2	R113042	BRACKET	1		X	
3	14M7297	NUT	1		X	M5
4	21M7395	SCREW	1		X	M4 X 8
5	37M7218	SCREW	16		X	
6	RE61545	SPEAKER	2		X	(FRONT)(6") (4 OHM)
	RE61546	SPEAKER	2		X	(REAR)(5") (4 OHM)
7	RE196193	KIT	1		X	(A) (Fi)
	RE234151	KIT	1		X	(C) (Fi)
8	R64822	NUT	16		X	
9	AR104516	ANTENNA	1		X	(SUB RE247791)
10	12H310	LOCK WASHER	1		X	3/8", (USE WITH AR104516)
	T143167	O-RING	1		X	
11	RE61651	SPRING	1		X	(ORDER RE247791)
12	12H302	LOCK WASHER	1		X	1/4"
13	RE165739	RADIO SPEAKER WRG HARNESS	1		X	
14	RE196195	KIT	1		X	(A) (Fi)
	RE234153	KIT	1		X	(C) (Fi)
15	RE247791	ANTENNA	1		X	

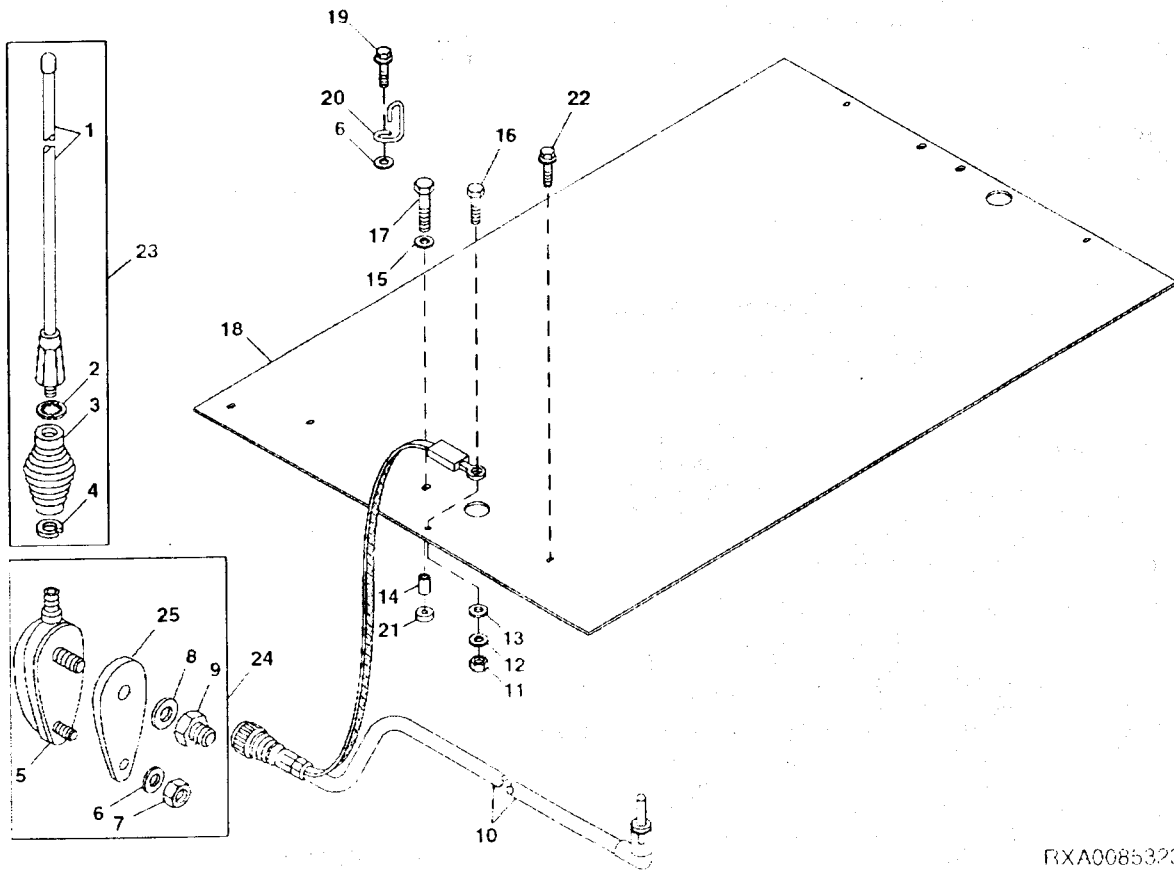
(A) AM/FM STEREO/WEATHERBAND  
 STEREO MA/MF/BANDE METEO  
 AM/FM STEREO/WETTERBAND  
 STEREO AM/FM/SERVIZIO METEO  
 AM/FM ESTEREOFONICO/BANDA METEOROLOGICA  
 AM/FM STEREO/VAEDERBAND

(B) AM/FM STEREO/CASSETTE/WEATHERBAND  
 STEREO MA/MF - LECTEUR DE CASSETTES - BANDE METEOROLOGIE  
 AM/FMSTEREO/KASSETTE/WETTER-FREQUENZBAND  
 STEREO AM/FM/CASSETTE/BANDA METEOROLOGICA  
 AM/FM ESTEREOFONICO/TOCACINTAS/BANDA METEOROLOGICA  
 AM/FM STEREO/KASSETT/VAEDERBAND

(C) AM/FM STEREO/WEATHERBAND/COMPACT DISK/SATELLITE READY  
 AM/FM STEREO/BANDE METEO/DISQUE COMPACT/PRET POUR SATELLITE  
 MW/UKW STEREO/WETTERBAND/CD-PLAYER/SATELLITENBEREIT  
 STEREO AM/FM/SERVIZIO METEO/COMPACT DISK/SATELLITE PRONTO  
 RADIO AM/FM ESTEREO/BANDA METEOROLOGICA/TOCADISCOS COMPACTOS/LISTO PARA SATELLITE  
 AM/FM STEREO/VAEDERBAND/CD/FAERDIG FOER SATELLIT

RADIO ANTENNA  
RADIO, ANTENNE  
RADIO ANTENNE  
ANTENNA RADIO  
ANTENA DE RADIO  
RADIOANTENN

RXA0085323 -UN-20DEC05



RXA0085323

THIS PARTS LISTING IS CONTINUED

# 42-63

OPERATOR'S STATION ELECTRICAL

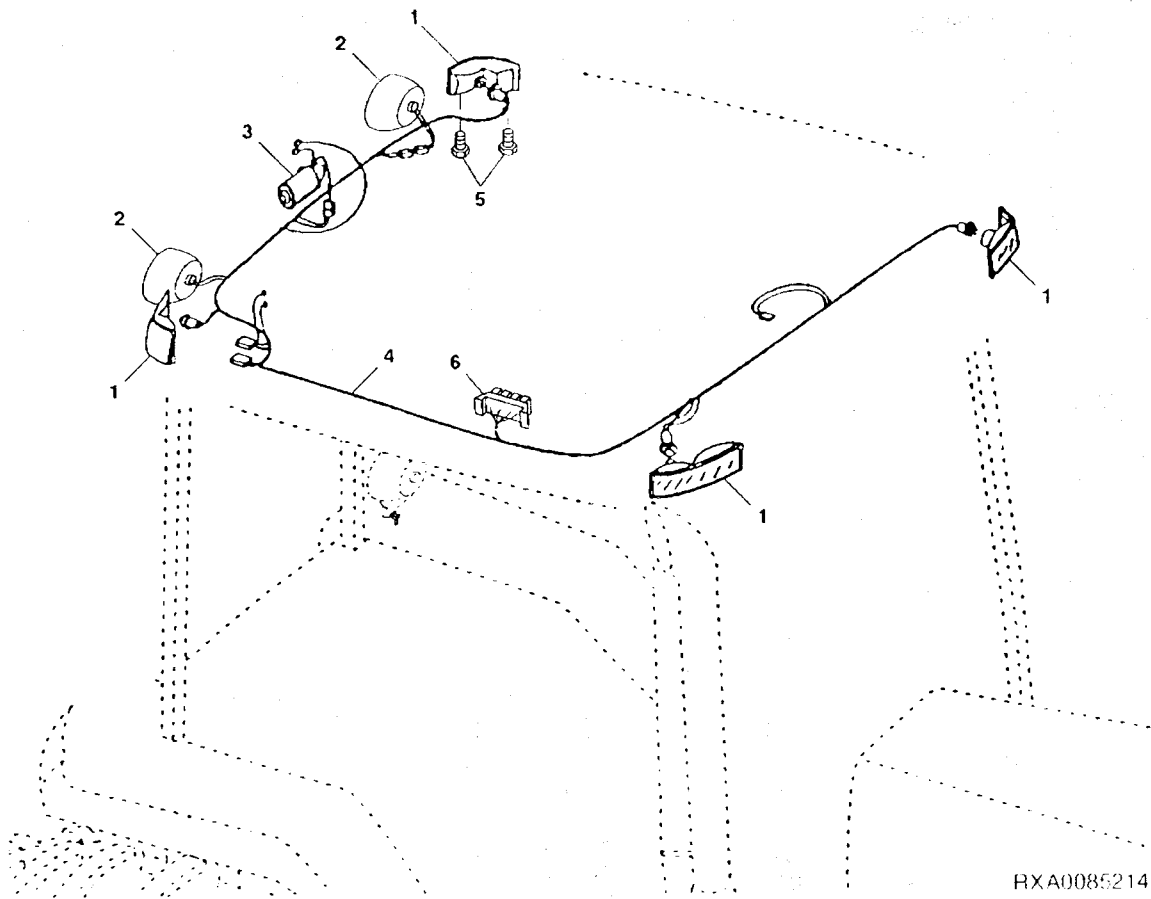
KEY	PART NO.	PART NAME	QTY	CAB SERIAL NO.	A L L	REMARKS
1	AR104516	ANTENNA	1		X	(SUB RE247791)
2	12H310	LOCK WASHER	1		X	3/8", (USE WITH AR104516)
	R34812	O-RING	1		X	
3	RE61651	SPRING	1		X	(ORDER RE247791)
4	12H302	LOCK WASHER	1		X	1/4"
5	RE168454	BASE	1	XXXXXX	X	(SUB RE247775)
	RE252092	ANTENNA	1	XXXXXX	X	
	R131991	CAP	1		X	(C)
6	24M7100	WASHER	1		X	6.600 X 22 X 2 MM, (USE WITH RE168454)
	12H356	LOCK WASHER	1		X	1/4"
7	14H786	NUT	1		X	1/4"
8	R47172	WASHER	1		X	0.516" X 0.900" X 0.048", (USE WITH
	12H292	LOCK WASHER	1		X	1/2"
9	R76695	NUT	1		X	
10	RE229756	ANTENNA CABLE	1		X	(SUB RE252835)
11	14M7166	LOCK NUT	1		X	M8
12	12M7032	LOCK WASHER	1		X	8.400 MM
13	24M7055	WASHER	1		X	8.400 X 16 X 1.600 MM
14	R115968	SPACER	4		X	
15	24H1318	WASHER	4		X	7/16" X 2" X 0.134"
16	19M7932	CAP SCREW	1		X	M8 X 16, HS 10.9
17	19M7808	SCREW	4		X	M10 X 65
18	R203289	PLATE	1		X	(A) (-)
19	R117569	SCREW	1		X	
20	R126033	HOOK	1		X	
21	R127769	SEAL	4		X	
22	37M7357	SCREW	4		X	
23	RE247791	ANTENNA	1		X	
24	RE250304	ANTENNA	1	XXXXXX	X	
	RE252087	ANTENNA	1	XXXXXX	X	
25	RE252821	SPACER	1	XXXXXX	X	

(A) ANTENNA GROUND  
 ANTENNE.MASSE  
 ANTENNENMASSE  
 MESSA A TERRA DELL ANTENNA  
 TIERRA DE ANTENA  
 ANTENNJORD

(B) W/O RADIO  
 W/O RADIO  
 W/O RADIO  
 W/O RADIO  
 W/O RADIO  
 W/O RADIO

WIRING HARNESS (ROOF)  
FAISCEAU DE CABLES (TOIT)  
KABELBAUM (DACH)  
CABLAGGIO (TETTO)  
GRUPO DE CABLES (TECHO)  
KABELHAERVA (TAK)

RXA0085214 -UN-29NOV05



RXA0085214

# 42-65

OPERATOR'S STATION ELECTRICAL

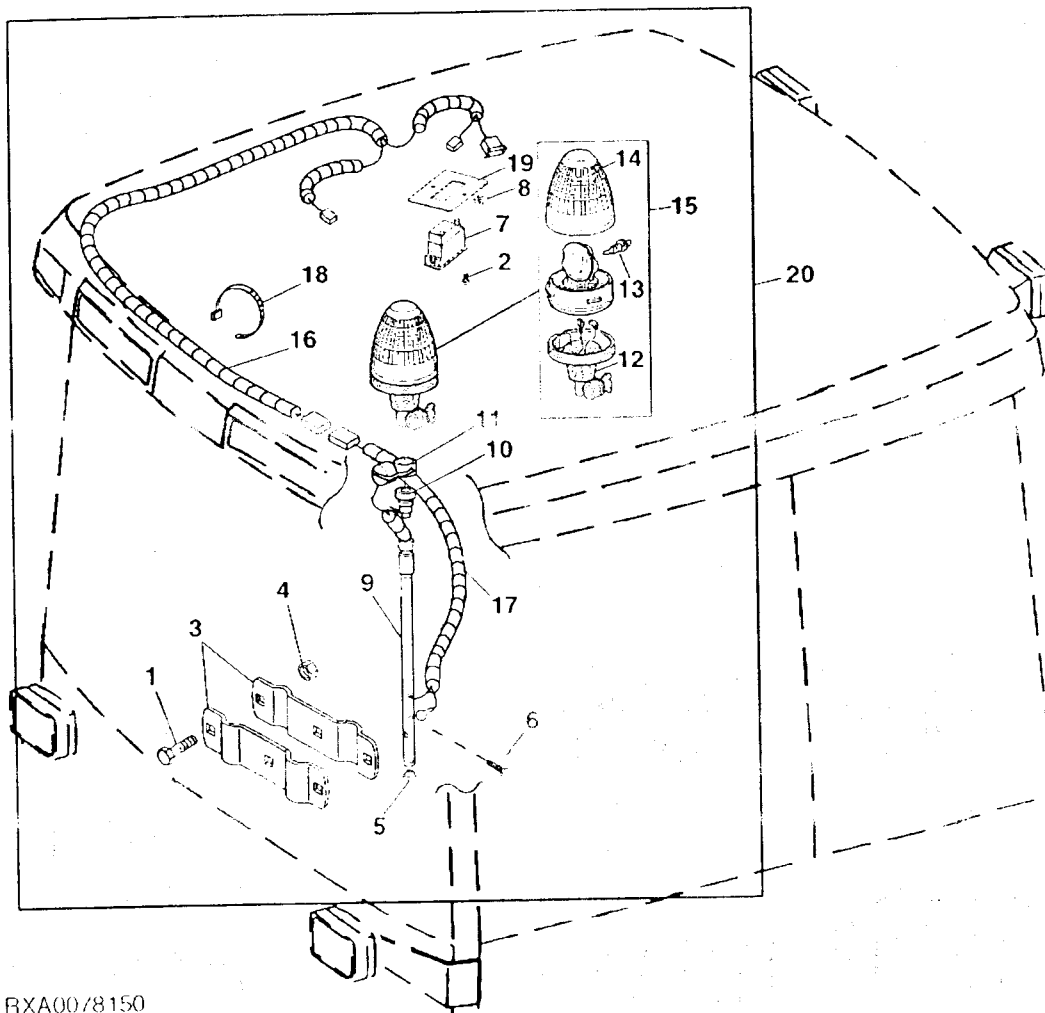
KEY	PART NO.	PART NAME	QTY.	TRACTOR SERIAL NO	A L L	REMARKS
1	AL151873	LAMP	4		X (A)	
2	RE173602	FLOODLAMP	2		X	
3	RE151494	WIPER MOTOR	1		X	
4	RE227767	ROOF WIRING HARNESS	1		X	
	RE238231	CAB WIRING HARNESS	1		X (B) (INCLUDES (4) AH201526)	
5	21M7452	SCREW	8		X M6 X 90	
6	AH201526	RELAY	4		X (B)	

(A) NORTH AMERICAN VERSION  
 REGION NORD AMERICAIN  
 NORDAMERIKANISCHE  
 VERSIONE NORDAMERICANA  
 VERSION NORTEAMERICANA  
 NORDAMERIKANSK VERSION

(B) EUROPEAN VERSION  
 VERSION EUROPEENNE  
 EUROPÄISCHE AUSFÜHRUNG  
 VERSIONE EUROPEA  
 VERSION EUROPEA  
 EUROPEISK VERSION



ROTARY BEACON LIGHT KIT  
KIT DE GYROPHARE  
RUNDUMLICHT-SATZ  
KIT LUCE ROTANTE  
JUEGO DE PROYECTOR GIRATORIO  
SATS MED ROTERANDE LJUS  
RXA0078150 -UN-19NOV04



RXA0078150

THIS PARTS LISTING IS CONTINUED

8130, 8230, 8330, 8430, 8530 TRACTORS PC9451 (12-APR-06)  
PN=296

## 42-67

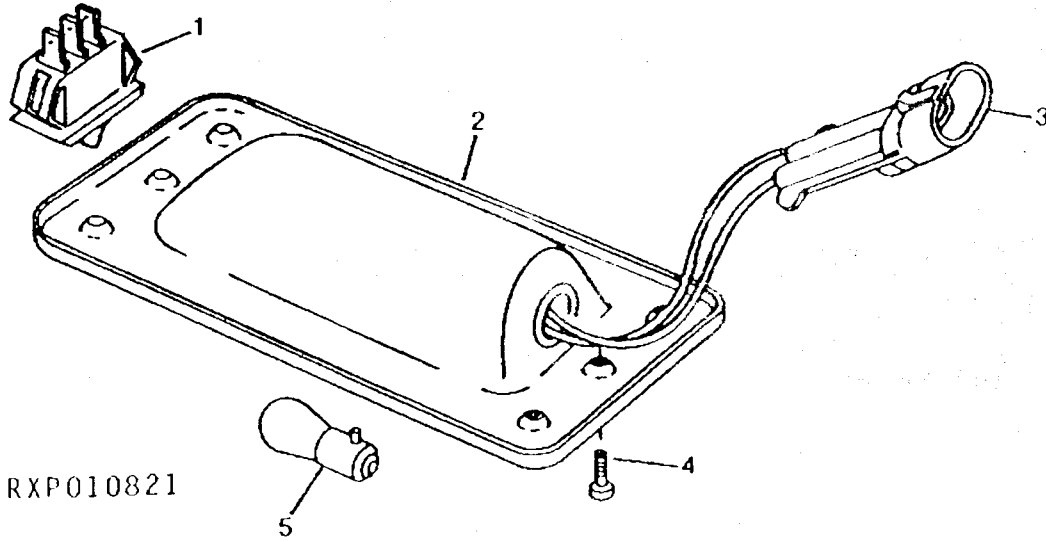
OPERATOR'S STATION ELECTRICAL

KEY	PART NO.	PART NAME	QTY.	SERIAL NO	A L L	REMARKS
1	03M7382	BOLT	3		X	M10 X 30
2	37M7185	SCREW	2		X	
3	R234331	CLAMP	1		X	
4	14M7546	LOCK NUT	3		X	M10
5	99M7032	PLUG	1		X	
6	37M7063	SCREW	1		X	M4.2 X 9.5 MM
7	AT140957	SWITCH	1		X	
8	R52130	LOCK NUT	2		X	
9	AL21691	RETAINER	1		X	
10	AZ34621	SOCKET OUTLET	1		X	
11	Z51982	PLUG	1		X	
12	AZ46924	BEZEL	1		X	
13	57M7019	BULB	1		X	
14	AZ46922	APERTURE	1		X	
15	AZ44705	REVOLVING LIGHT	1		X	
16	RE191835	CAB WIRING HARNESS	1		X	
	R78053	ELECTRICAL CONNECTOR ASSY	1		X	
	R41440	GROMMET	1		X (A)	
17	RE191836	CAB WIRING HARNESS	1		X	
18	R44302	TIE BAND	2		X	
19	R234527	PLATE	1		X	
20	RE239930	FIELD INSTALLATION KIT	1		X	

(A) INNER ROOF  
TOIT INTERIEUR  
INNENDACH  
TETTO INTERNO  
TECHO INTERNO  
INNERTAK

DOME LIGHT AND SWITCH  
 PLAFONNIER ET INTERRUPTEUR  
 KABINENBELEUCHTUNG UND SCHALTER  
 INTERRUTTORE E LUCE A PLAFONIERA  
 LUZ DEL TECHO E INTERRUPTOR  
 TAKLAMPA OCH KONTAKT

RXP010821 UN-01JAN94



RXP010821

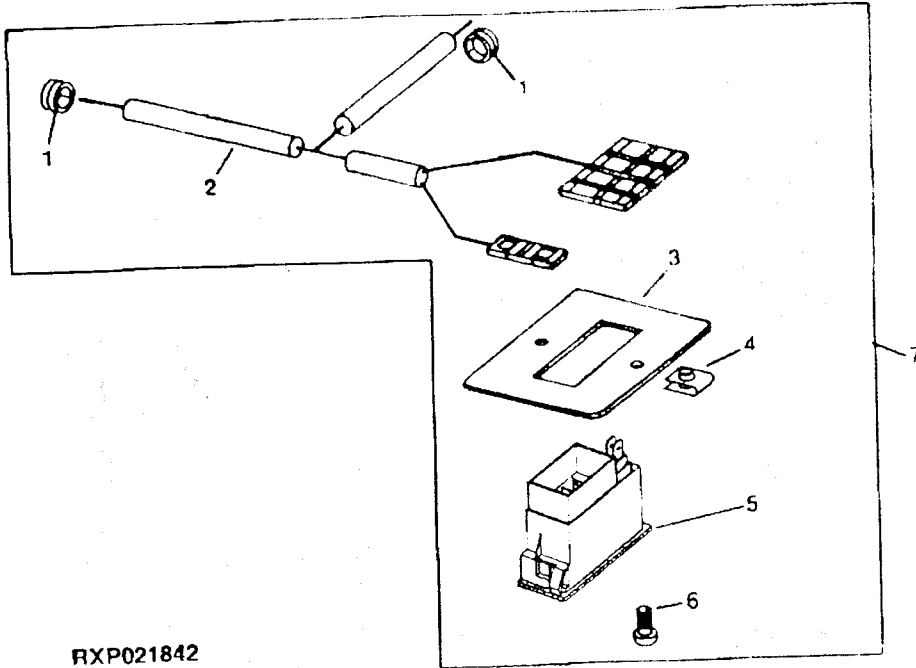
KEY	PART NO.	PART NAME	QTY.	CAB SERIAL NO.	A L L	REMARKS
1	RE48838	TOGGLE/ROCKER SWITCH	1		X	
2	RE44590	LAMP	1		X	
3	57M7256	CONNECTOR	1		X	(ALSO ORDER (2) R104919, (2) 57M7258 AND 57M7316)
4	37M7063	SCREW	2		X	
5	RE47095	BULB	1		X	

# 42-70

OPERATOR'S STATION ELECTRICAL

ROTATING BEACON SWITCH KIT  
 JEU D'INTERRUPTEUR DE PHARE A ECLATS  
 REHLICHSCHALTER-BAUSATZ  
 KIT DELL'INTERRUTTORE DE SEGNALE LUMINOSO ROTANTE  
 CONJUNTO DEL INTERRUPTOR DEL FARO GIRATORIO  
 STROEMBRYTARSATS FOER ROTERANDE STRAALKASTARE

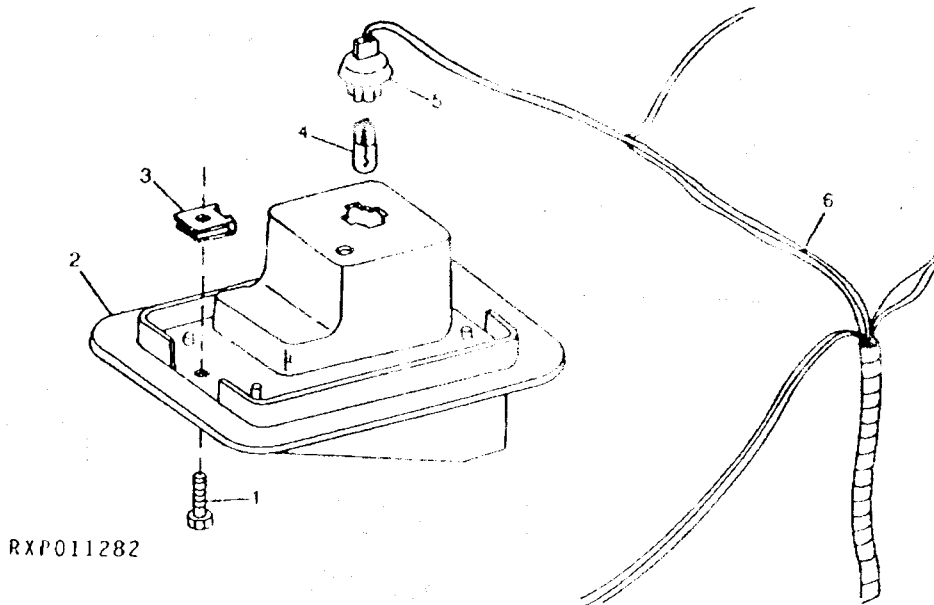
RXP021842 -UN-27JAN97



RXP021842

KEY	PART NO.	PART NAME	QTY.	CAB SERIAL NO.	A L L	REMARKS
1	R41440	GROMMET	2		X	
2	RE51267	WIRING HARNESS	1		X	
3	R234527	PLATE	1		X	
4	R52130	LOCK NUT	2		X	
5	AT140957	SWITCH	1		X	
6	37M7185	SCREW	2		X	
7	RE235448	FIELD INSTALLATION KIT	1		X	

**CONSOLE LIGHT**  
**ECLAIRAGE DE CONSOLE**  
**KONSOLEN-BELEUCHTUNG**  
**LUCE DELLA CONSOLLE**  
**LUZ DE LA CONSOLA**  
**INSTRUMENTBRAEDA, BELYSNING**  
 RXP011282 -UN-01JAN94



RXP011282

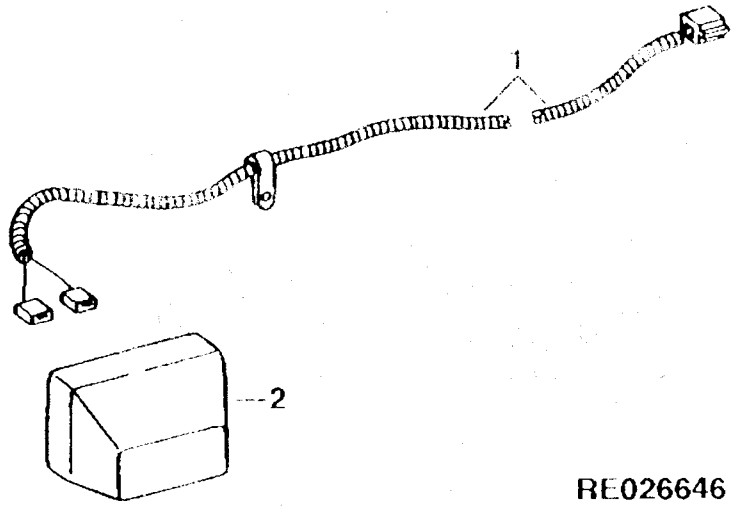
KEY	PART NO.	PART NAME	QTY.	TRACTOR SERIAL NO.	A L L	REMARKS
1	37H203	SCREW	2		X	
2	RE57892	LAMP	1		X	
3	R52130	LOCK NUT	2		X	
4	AR48015	BULB	1		X	
5	57M7458	ELECTRICAL CONNECTOR ASSY	1		X	
6		CAB WIRING HARNESS	1		X	

# 42-71

OPERATOR'S STATION ELECTRICAL

WIRING HARNESS (LICENSE PLATE LAMP) (EUROPEAN VERSION)  
 FAISCEAU DE FILS (PLAQUE MINERALOGIQUE, ECLAIRAGE) (VERSION EUROPEENNE)  
 KABELBAUM (NUMMERSCHILD-BELEUCHTUNG) (EUROPÄISCHE AUSFÜHRUNG)  
 CABLAGGIO (LUCE DELLA TARGA) (VERSIONE EUROPEA)  
 GRUPO DE CABLES (INTERRUPTOR DE FRENO) (VERSION EUROPEA)  
 KABELHAERVA (BROMSKONTAKT) (EUROPEISK VERSION)

RE026646 -UN-07DEC95

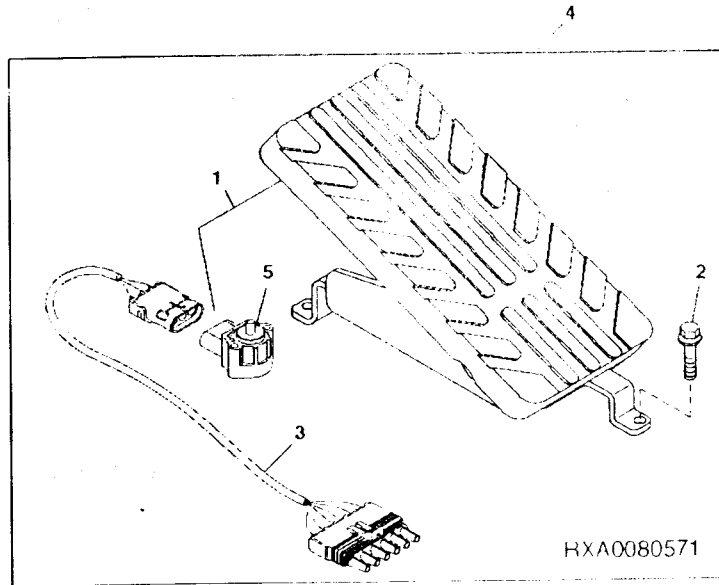


RE026646

KEY	PART NO.	PART NAME	QTY	TRACTOR SERIAL NO	A L L	REMARKS
1	RE52633	WIRING HARNESS	1		X	
2	AL33161	LENS	1		X	

FOOT THROTTLE  
 PEDALE D'ACCELLATEUR  
 GASPEDAL  
 PEDALE DEL GAS  
 ACELERADOR DE PEDAL  
 GASPEDAL

RXA0080571 -UN-05MAY05



KEY	PART NO	PART NAME	QTY	TRACTOR SERIAL NO	A L I	REMARKS
1	RE223399	ACCELERATOR	1		X	
2	37M7089	SCREW	3		X	
3	RE228541	WIRING HARNESS	1		X	
4	RE232550	FIELD INSTALLATION KIT	1		X (A)	
5	RE220069	SENSOR	1		X	

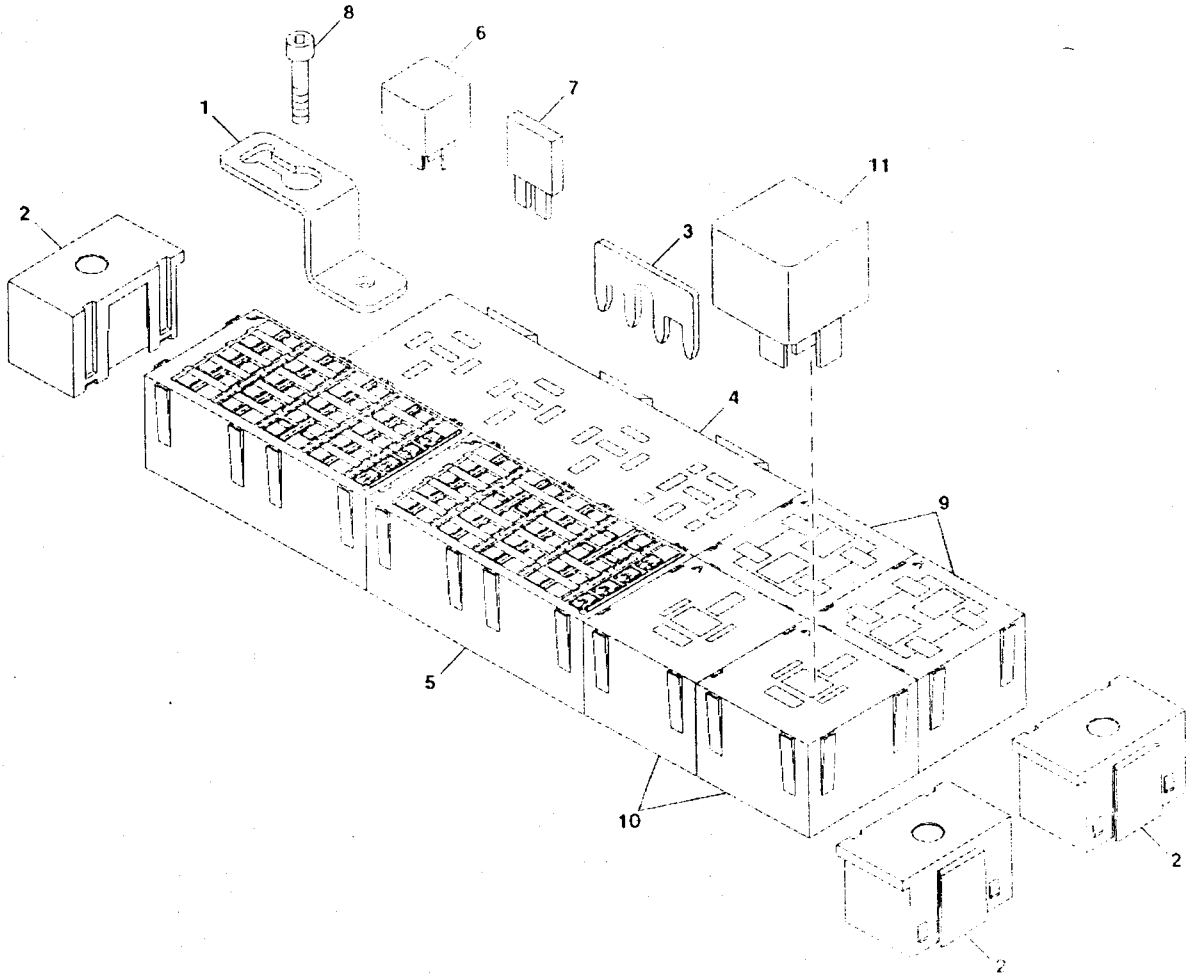
(A) NORTH AMERICAN ONLY  
 AMERIQUE DU NORD UNIQUEMENT  
 NUR NORDAMERIKANISCHE AUSFUEHRUNG  
 SOLO NEI MODELLI PER IL NORD AMERICA  
 VERSION NORTEAMERICANA SOLAMENTE  
 ENDAST FOER NORDAMERIKA

MEMORANDA  
MEMORANDA  
MEMORANDA  
MEMORANDA  
MEMORANDA  
MEMORANDA



LOAD CENTER  
POINT D'ALIMENTATION GENERALE  
ZENTRALER STROMANSCHLUSSPUNKT  
ALIMENTATORE  
CENTRO DE CARGA  
ELCENTRAL

RXA0086620 -UN-10FEB06



RXA0086620

THIS PARTS LISTING IS CONTINUED

# 42-75

OPERATOR'S STATION ELECTRICAL

KEY	PART NO.	PART NAME	QTY.	TRACTOR SERIAL NO.	A L L	RE MARKS
1	R208235	BRACKET	1		X	
2	RE191390	SUPPORT	3		X	
3	R212178	ISOLATOR	1		X	
4	57M8750	RECEPTACLE	1		X	
	57M8757	ELEC. CONNECT LOCKING DEVICE	1		X	
5	57M8756	ELEC. CONNECTOR ACCESSORY	2		X	
6	RE240999	RELAY	4		X	
7	57M7689	FUSE	8		X	10 AMP
	57M7691	FUSE	7		X	20 AMP
	57M8163	FUSE	8		X	30 AMP
	57M8800	FUSE	1		X	50 AMP
	57M8801	FUSE	1		X	60 AMP
	57M8799	FUSE	1		X	40 AMP
	57M7690	FUSE	1		X	15 AMP
8	19M8649	SCREW	1		X	M6 X 20
9	57M8752	ELEC. CONNECTOR ACCESSORY	2		X	
	57M8753	ELEC. CONNECT LOCKING DEVICE	2		X	
10	57M8754	ELEC. CONNECTOR ACCESSORY	2		X	
	57M8755	ELEC. CONNECT LOCKING DEVICE	2		X	
11	811828300	RELAY	2		X	
	RE194287	SPECIAL SERVICE TOOL	1		X	

42-76

OPERATOR'S STATION ELECTRICAL

MEMORANDA  
MEMORANDA  
MEMORANDA  
MEMORANDA  
MEMORANDA

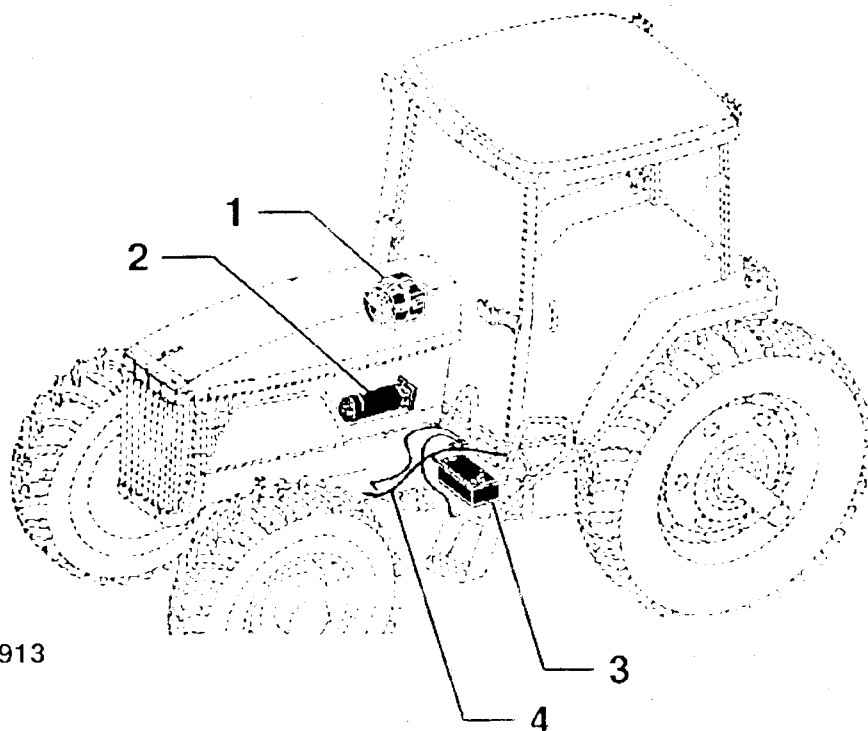
# 43-A01

ALTERNATOR, STARTER, BATTERY AND BATTERY CABLE

SECTIONAL INDEX  
INDEX DE SECTION  
GRUPPENINDEX  
INDICE DELLA SEZIONE  
INDICE DE SECCION  
GRUPPSFORTECKNING

RXA0081913 -UN-

1-	1
2-	2
3-	4
4-	5
4-	6



RXA0081913

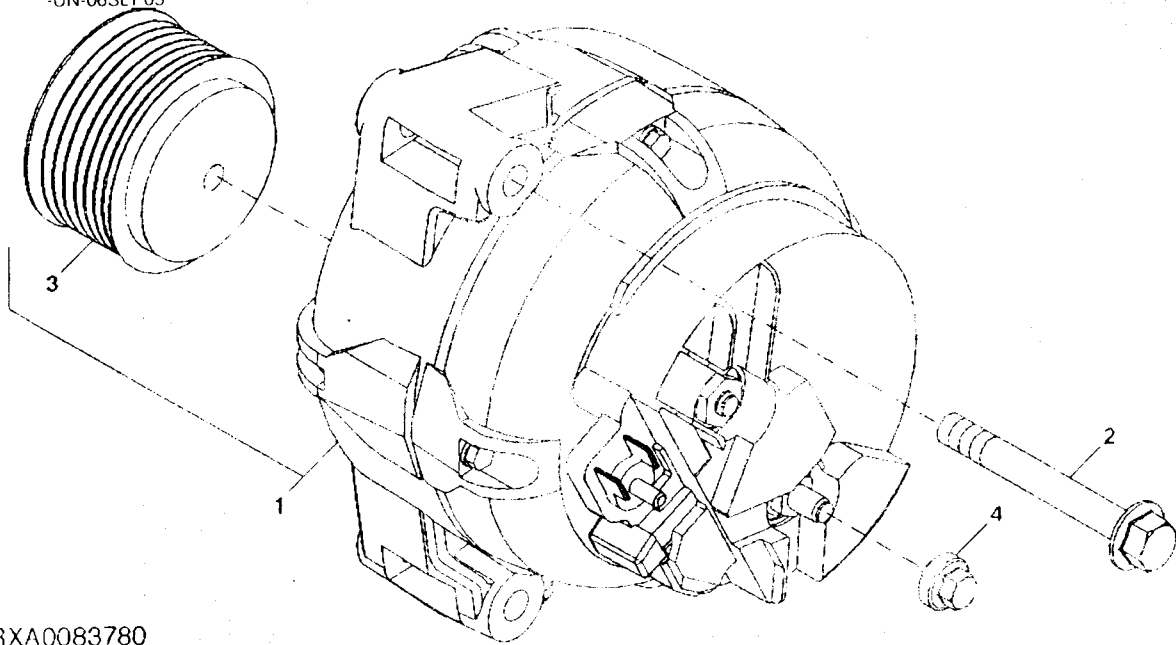
# 43-A02

ALTERNATOR, STARTER, BATTERY AND BATTERY CABLE

MEMORANDA  
MEMORANDA  
MEMORANDA  
MEMORANDA  
MEMORANDA  
MEMORANDA

ALTERNATOR  
 ALTERNATEUR  
 DREHSTROM-GENERATOR  
 ALTERNATORE  
 ALTERNADOR  
 VAXELSTROMSGENERATOR

RXA0083780 -UN-06SEP05



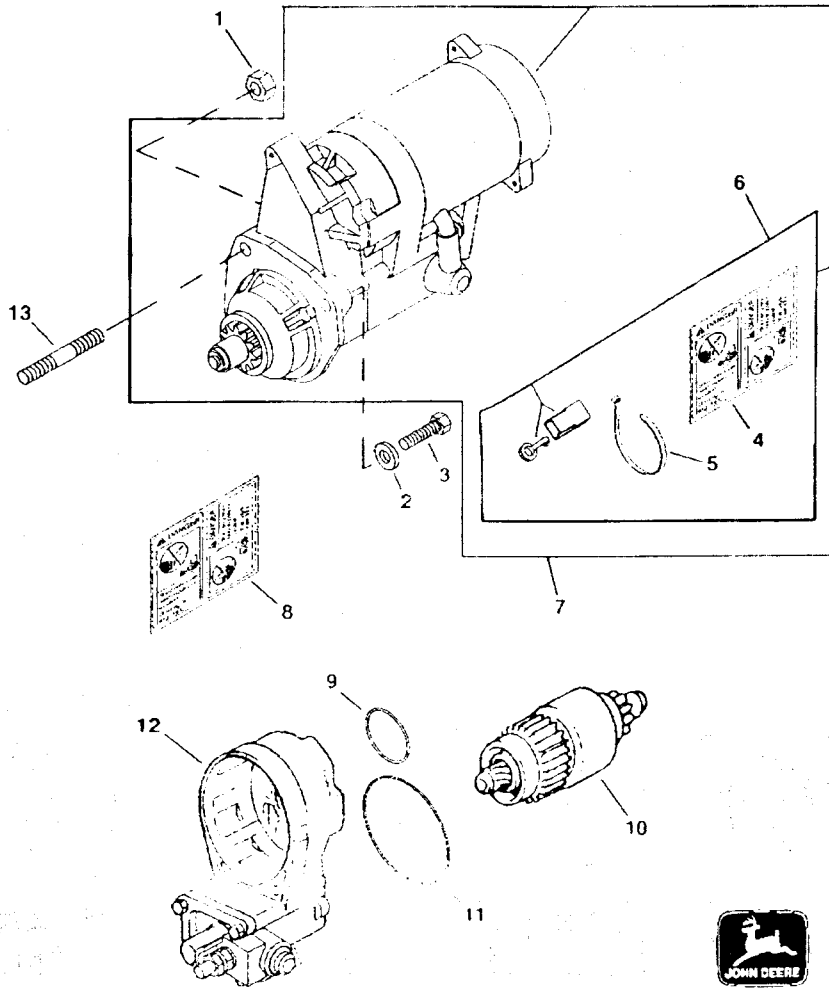
RXA0083780

KEY	PART NO	PART NAME	QTY	ENGINE SERIAL NO.	A L L	REMARKS
1	RE210793	ALTERNATOR	1		X	(BOSCH)(200 AMPS)
2	19M7810	SCREW	2		X	M10 X 80
3	R186317	PULLEY	1		X	
4	RE231948	NUT	1		X	(A) (+)

(A) PLASTIC COVERED  
 COUVERT DE PLASTIQUE  
 MIT KUNSTSTOFF UEBERZOGEN  
 CON COPERCHIO IN PLASTICA  
 CUBIERTO DE PLASTICO  
 OEVERDRAGEN MED PLAST

STARTING MOTOR  
 MOTEUR DU DEMARREUR  
 ANLASSER  
 MOTORE D'AVVIAMENTO  
 MOTOR DE ARRANQUE  
 STARTMOTOR

RGP4851 UN-11FEB97



RGP4851

THIS PARTS LISTING IS CONTINUED

KEY	PART NO.	PART NAME	QTY	ENGINE SERIAL NO	A L L	REMARKS
1	E55662	FLANGE NUT	1		X	
2	24H1303	WASHER	2		X	13/32" X 11/16" X 0.065"
3	19H3219	CAP. SCREW	2		X	3/8" X 1-3/8" HS SAE 8
4	T146102	LABEL	1		X	(ENGLISH)
5	R96703	TIE BAND	1		X	
6	RE70756	KIT	1		X	
7	RE70957	STARTER MOTOR KIT	1		X	(MARKED RE69704) (ALSO ORDER RE70756) (DENSO NO. 228000 6530)
	TY24439	STARTER MOTOR	1		X	(A)
8	T146106	SAFETY SIGN	1		X	(ESPANOL)
	T146104	SAFETY SIGN	1		X	(FRANCAIS)
	T146515	SAFETY SIGN	1		X	(DEUTSCH)
	T146516	SAFETY SIGN	1		X	(ITALIANO)
	T146517	SAFETY SIGN	1		X	(ENGLISH/FRANCAIS)
9	R135510	O-RING	1		X	
10	RE70487	CLUTCH	1		X	(NOT AS SHOWN)
11	R135509	SEAL	1		X	
12	RE70486	SWITCH	1		X	
13	RS15224	STUD	1		X	
	RE71256	SCREW WITH WASHER	1		X	

(A) REMANUFACTURED  
ECHANGE STANDARD  
GENERAUEBERHOLT  
RIGATTO  
REFABRICADO POR  
RENOVERAD

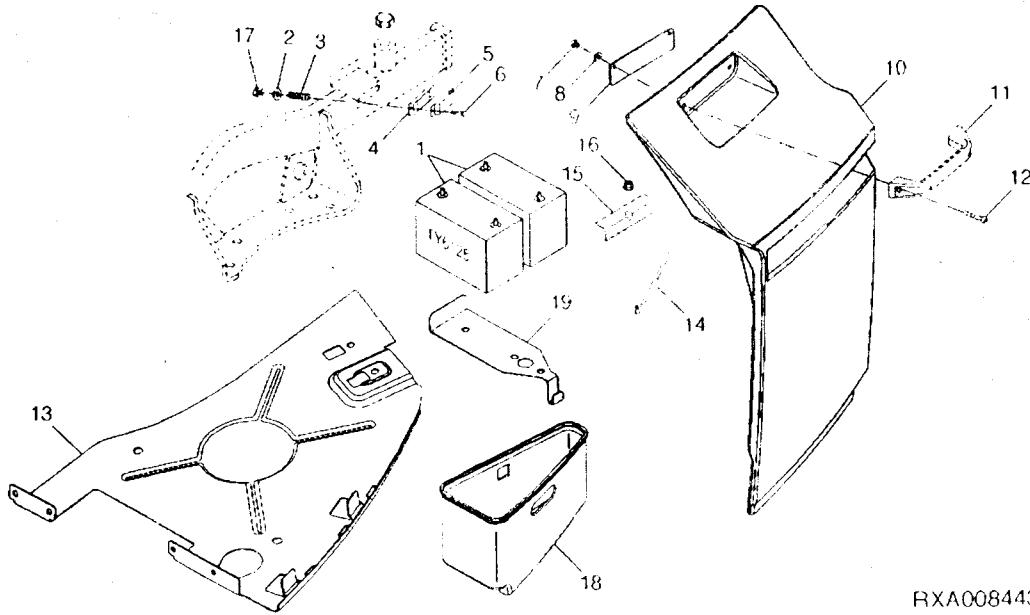


# 43-4

## ALTERNATOR, STARTER, BATTERY AND BATTERY CABLE

BATTERY AND COVER  
 BATTERIE ET COUVERCLE  
 BATTERIE UND ABDECKUNG  
 BATERIA E COPERCHIO  
 BATERIA Y CUBIERTA  
 BATTERI OCH LOCK

RXA0084437 UN-30SEP05



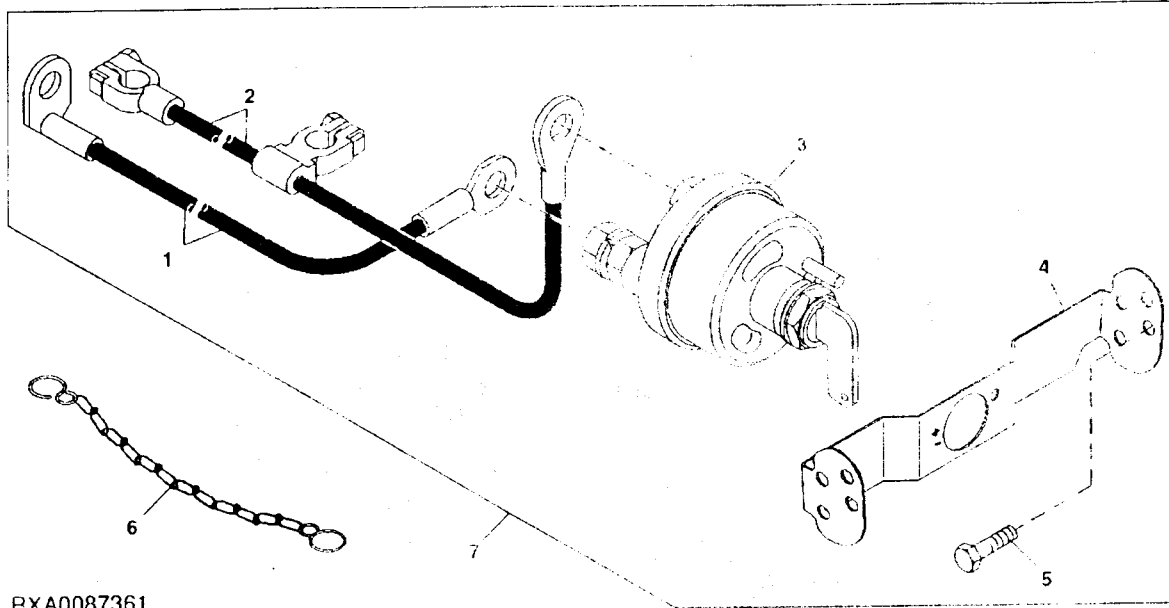
RXA0084437

KEY	PART NO.	PART NAME	QTY	TRACTOR SERIAL NO.	A L L	REMARKS
1	TY25879	DRY CHARGED BATTERY	2		X	(A) (+)
2	24M7244	WASHER	2		X	6.400 X 12 X 1.600 MM
3	R184730	SPRING	2		X	
4	AM102170	MAGNET	1		X	
5	M91405	SHIELD	1		X	
7	14M7350	LOCK NUT	2		X	1/16
8	24M7244	WASHER	2		X	6.400 X 12 X 1.600 MM
9	R218342	BRACKET	1		X	
10	R242374	COVER	1		X	
11	L57250	HANDLE	1		X	
12	19M8715	SCREW	2		X	M6 X 35
13	R210375	PLATE	1		X	L.H.
	R210374	PLATE	1		X	R.H.
14	R192571	HOOK BOLT	1		X	
15	R218343	BRACKET	1		X	
16	14M7298	FLANGE NUT	1		X	M8
17	14M7265	LOCK NUT	2		X	M5
18	R210335	TRAY	1		X	
19	R233642	SUPPORT	1		X	

(A) 950 COLD CRANKING AMPS  
 950 AMPERES EN DEMARRAGE A FROID  
 950 KALTSTART AMPERES  
 MOTORINO DI AVVIAMENTO 950  
 950 AMP DE ARRANQUE EN FROID  
 STARTSTROEM KALL MOTOR

BATTERY DISCONNECT KIT (EUROPEAN ONLY)  
 KIT DE SECTIONNEUR DE BATTERIE (EUROPE UNIQUEMENT)  
 BATTERIETRENNSCHALTER-SATZ (NUR EUROPÄISCHE AUSFÜHRUNG)  
 KIT DI SCOLLEGAMENTO BATTERIA (SOLO NEI MODELLI EUROPEI)  
 JUEGO DE INTERRUPTOR DE BATERIAS (VERSION EUROPEA SOLAMENTE)  
 BATTERIFRAANKOPPLINGSSATS (ENDAST FOER EUROPA)

RXA0087361 -UN-27FEB06



RXA0087361

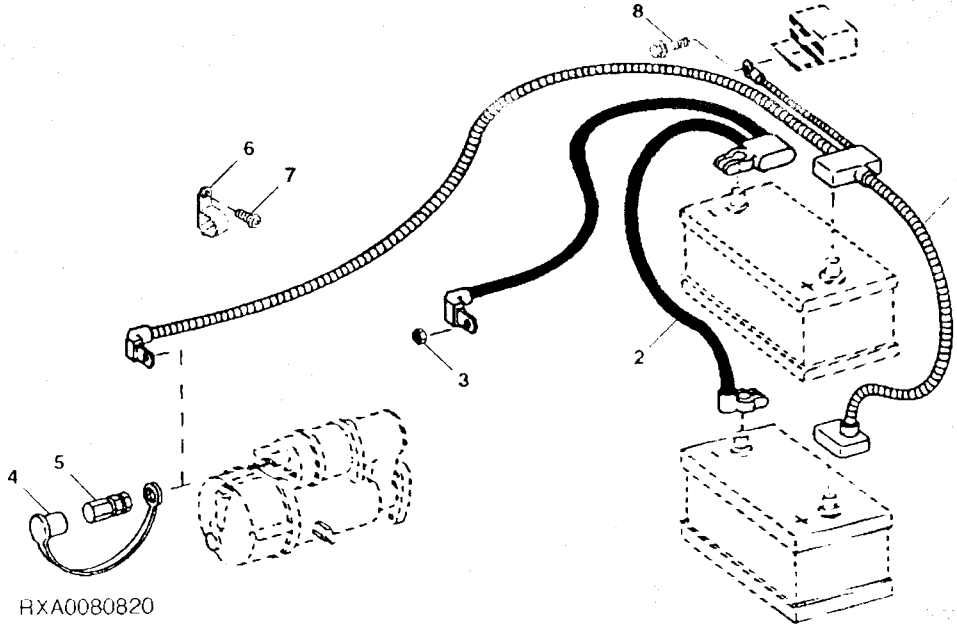
KEY	PART NO.	PART NAME	QTY.	SERIAL NO	A L L	REMARKS
1	RE243914	BATTERY CABLE	1		X	
2	RE243913	BATTERY CABLE	1		X	
3	DQ47593	SWITCH	1		X	
4	R255600	BRACKET	1		X	
5	37M7078	SCREW	4		X	M10 X 16
6	AZ12018	LINK CHAIN	1		X	
7	AR255881	FIELD INSTALLATION KIT	1		X	

# 43-6

## ALTERNATOR, STARTER, BATTERY AND BATTERY CABLE

BATTERY CABLES  
 BATTERIE CABLES  
 BATTERIE KABEL  
 BATERIA CABLES  
 BATTERIA CAVI  
 BATTERI KABELVAJRAR

RXA0080820 UN-16MAY05



RXA0080820

KEY	PART NO	PART NAME	QTY.	TRACTOR SERIAL NO	A L L	REMARKS
1	RE211504	BATTERY CABLE	1		X	(SUB RE253997) (+)
2	RE211519	BATTERY CABLE	1		X	(-)
3	14M7296	FLANGE NUT	1		X	M10
4	R96066	COVER	1		X	
5	R135871	ELEC. CONNECTOR TERMINAL	1		X	(+)
		CLAMP	1		X	
7	R189346	SCREW	1		^	
8	19M7784	SCREW	1		X	M10 X 20

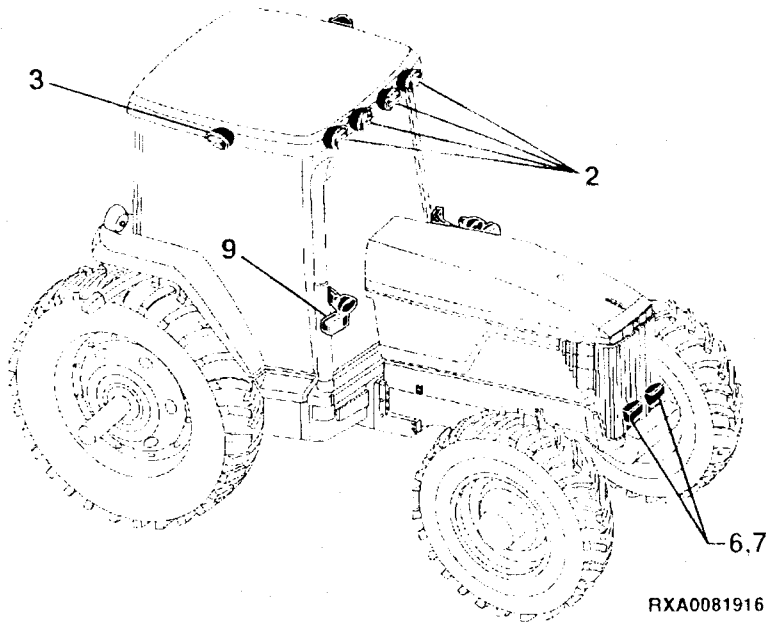
# 44-A01

LIGHTS

SECTIONAL PICTORIAL  
INDEX DE SECTION  
GRUPPENINDEX  
INDICE DELLA SEZIONE  
INDICE DE SECCION  
GRUPPSFORTECKNING

RXA0081916 -UN-

2-	2
3-	3
6-	6
7-	7
7-	8
9-	10



RXA0081916

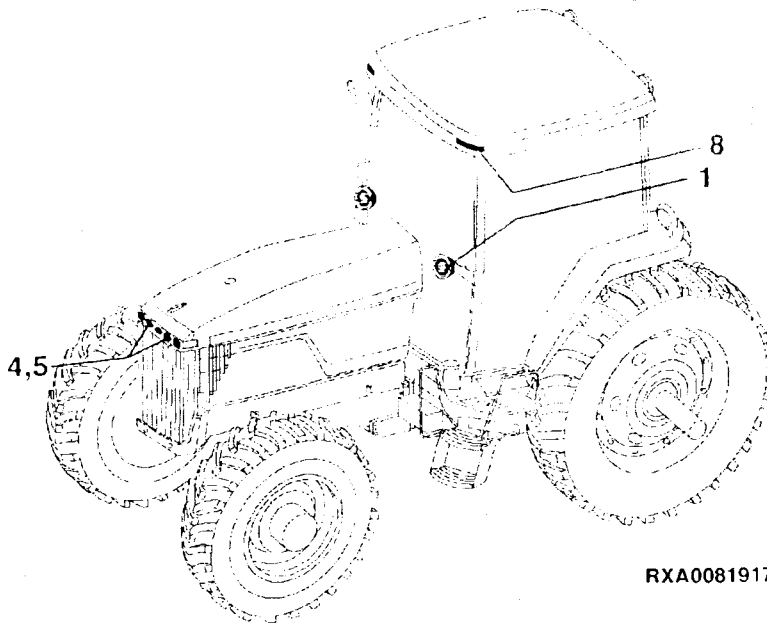
# 44-A02

LIGHTS

SECTIONAL INDEX  
INDEX DE SECTION  
GRUPPENINDEX  
INDICE DELLA SEZIONE  
INDICE DE SECCION  
GRUPPSFORTECKNING

RXA0081917 -UN-

1-	1
4-	4
5-	5
8-	9



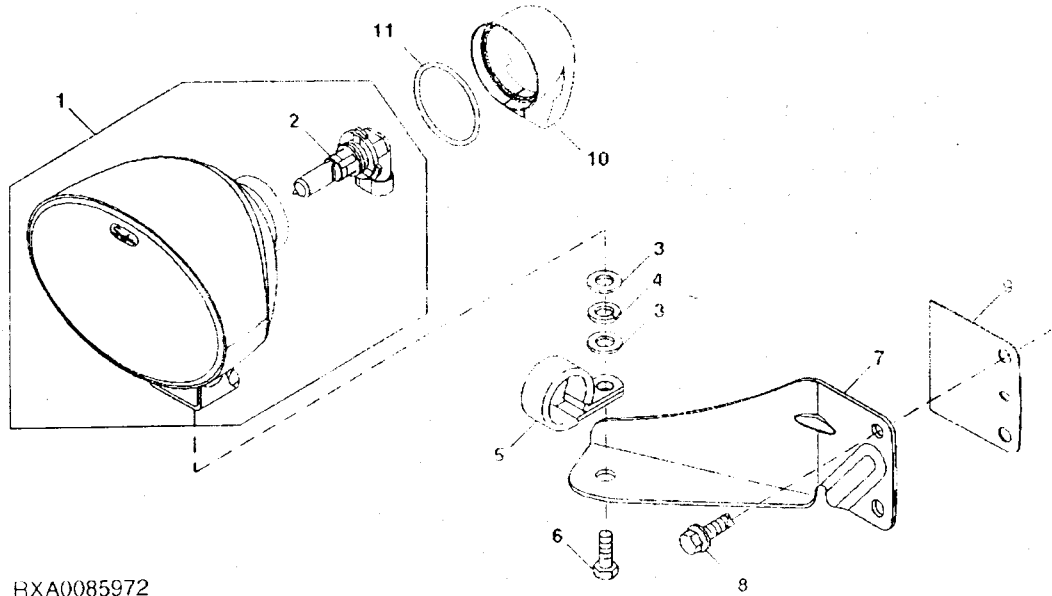
RXA0081917

# 44-1

LIGHTS

FRONT MID-BODY WORK LAMPS  
 PROJECEURS DE CEINTURE AVANT  
 VORDERE MITTELLINIEN-ARBEITSSCHEINWERFER  
 FARI A META' TELAIO ANTERIORE  
 LUCES DE TRABAJO CENTRALES DELANTERAS  
 ARBETSLYKTOR, FRAEMRE MITTLINJE

RXA0085972 UN-19JAN06

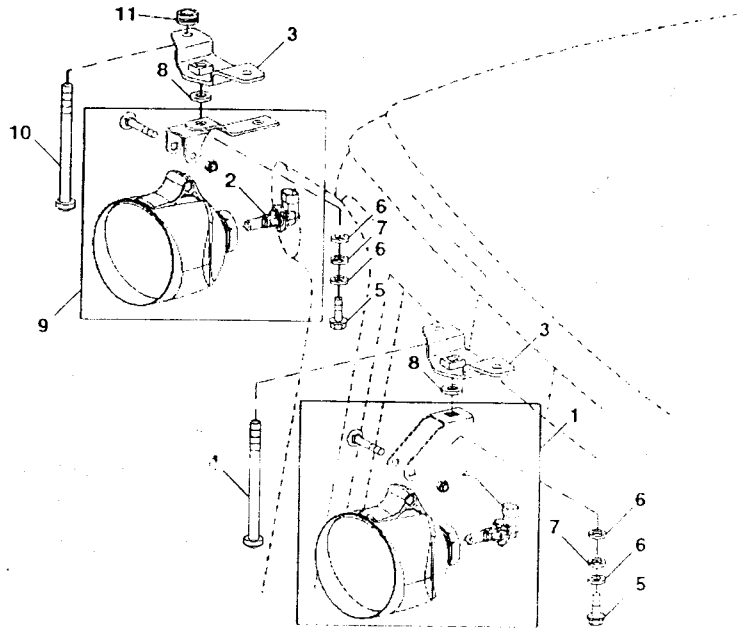


RXA0085972

KEY	PART NO	PART NAME	QTY	TRACTOR SERIAL NO.	A L L	REMARKS
1	RE179973	FLOODLAMP	1		X	
2	RE179326	BULB	1		X	
3	24M7047	WASHER	3		X	13 X 24 X 2.500 MM
4	12H301	LOCK WASHER	1		X	1/2"
5	AH76883	CLIP	1		X	
6	13M7285	CAP SCREW	1		X	M12 X 20
7	R175434	BRACKET	1		X	L.H.
	R208474	CLAMP	1		X	R.H.
8	37M7265	SCREW	2		X	M8 X 25
	24M7036	WASHER	2		X	9 X 16 X 1.600 MM
	24M7265	WASHER	2		X	R.H.
9	R220146	ISOLATOR	1		X	(SUB R254930)
10	R175462	BOOT	1		X	
11	R252736	BAND	1		X	

FRONT CAB ROOF WORK LAMP (EUROPEAN VERSION)  
 PROJECTEUR DE TRAVAIL AVANT DU TOIT DE CABINE (VERSION EUROPEENNE)  
 VORDERER KABINENDACH-ARBEITSSCHEINWERFER (EUROPAEISCHE AUSFUEHRUNG)  
 LUCE DI LAVORO SUL TETTO LATO ANTERIORE CABINA (VERSIONE EUROPEA)  
 LUZ DE TRABAJO DELANTERA DE TECHO DE CABINA (VERSION EUROPEA)  
 ARBETSLYKTA, TAKET FRAM (EUROPEISK VERSION)

RXA0086883 -UN-



RXA0086883

KEY	PART NO.	PART NAME	QTY	TRACTOR SERIAL NO	A L L	REMARKS
1	RE236315	FLOODLAMP	1		X (A)	
2	RE179326	BULB	1		X	
3	RE234354	BRACKET	2		X (LH)	
	RE234764	BRACKET	2		X (RH)	
4	21M7452	SCREW	2		X M6 X 90	
5	19M7867	SCREW	2		X M8 X 25	
6	24M7298	WASHER	4		X 8 400 X 25 X 2 MM	
7	12H304	LOCK WASHER	2		X 3/8"	
8	L110367	WASHER	2		X	
9	RE246425	FLOODLAMP	1		X (B)	
10	19M8903	SCREW	2		X M6 X 30	
11	L100644	GROMMET	4		X	

(A) INNER  
 INTERNE  
 INNEN  
 INTERNO  
 INTERIOR  
 INRE

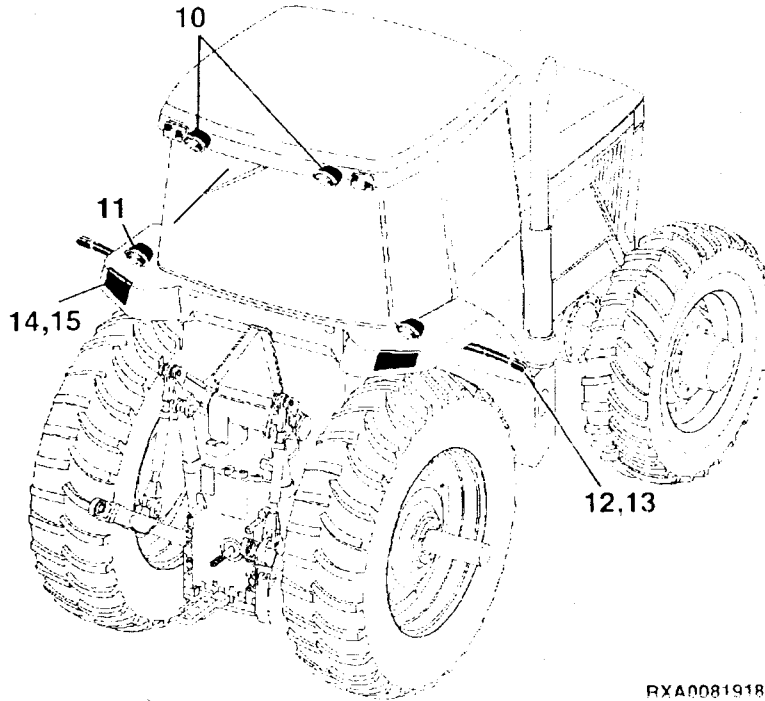
(B) OUTER  
 EXTERNE  
 AUßEN  
 ESTERNO  
 EXTERIOR  
 YTTRE

# 44-A03

SECTIONAL INDEX  
INDEX DE SECTION  
GRUPPENINDEX  
INDICE DELLA SEZIONE  
INDICE DE SECCION  
GRUPPSFORTECKNING

RXA0081918 -UN-

10-	11
11-	12
11-	13
12-	14
13-	16
14-	18
15-	19



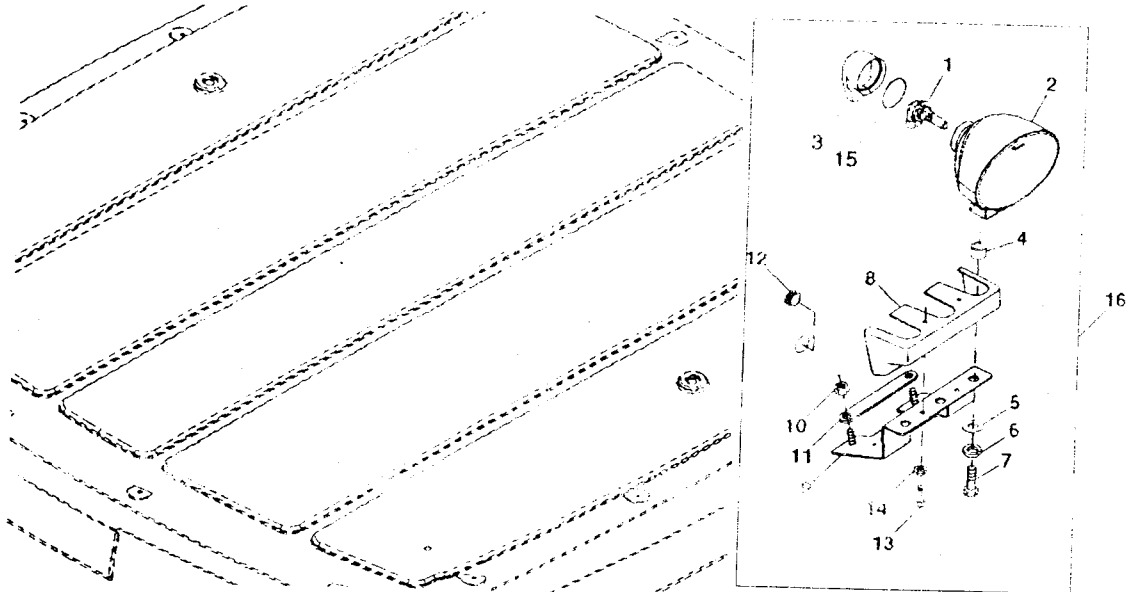
RXA0081918



MEMORANDA  
MEMORANDA  
MEMORANDA  
MEMORANDA  
MEMORANDA  
MEMORANDA

ROOF SIDE WORK LAMP  
 PROJECTEUR LATÉRAL DE TOIT  
 SEITLICHER DACH-ARBEITSSCHEINWERFER  
 LUCE DI LAVORO LATERALE SUL TETTO  
 LUZ DE TRABAJO LATERAL DE TECHO  
 SIDARBETSLYKTA PÅ TAKET

RXA0085233 -UN-01DEC05

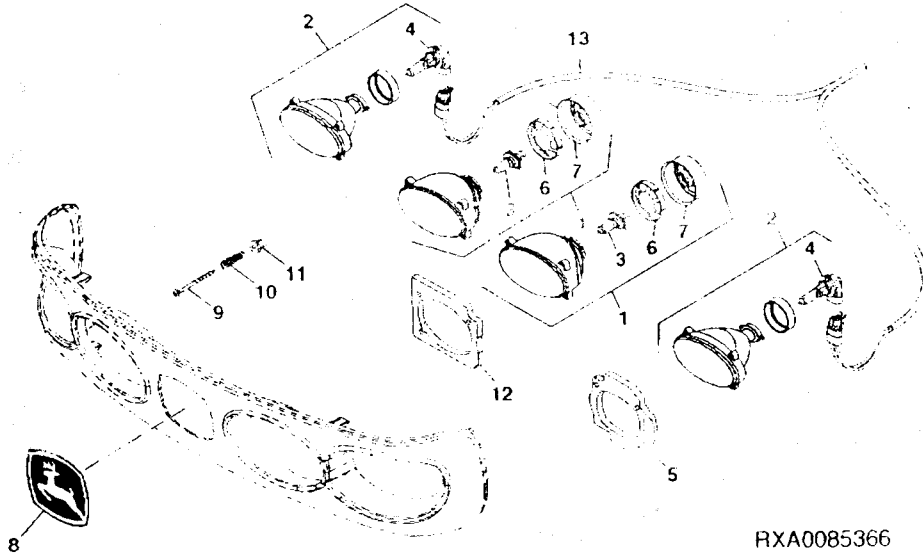


RXA0085233

KEY	PART NO.	PART NAME	QTY	TRACTOR SERIAL NO	A L L	REMARKS
1	RE179326	BULB	2			
2	RE181281	FLOODLAMP	2		X	
3	R175462	BOOT	2		X	
4	R183947	SPACER	2		X	
5	24M7047	WASHER	2		X	
6	12H301	LOCK WASHER	8		X	13 X 24 X 2.500 MM
7	19M7303	CAP SCREW	4		X	1/2"
8	D201599	COVER	2		X	M12 X 45
9	RE221395	BRACKET	2		X	M12 BRACKET
10	14M7517	LOCK NUT	2		X	M12 BRACKET
11	R230361	SUPPORT	4		X	M10
12	R113023	GROMMET	2		X	
13	37M7334	SCREW	2		X	
14	24M7419	WASHER	8		X	M4 X 20
15	R252736	BAND	2		X	4 300 X 12 X 1 MM
16	AR223359	FIELD INSTALLATION KIT	1		X	RH AND LH

STANDARD HOOD LIGHTING  
 ECLAIRAGE DE CAPOT STANDARD  
 STANDARD-HAUBENBELEUCHTUNG  
 ILLUMINAZIONE COFANO STANDARD  
 LUCES ESTANDAR DE CAPO  
 STANDARD HUVBELYSNING

RXA0085366 -UN-14DEC05

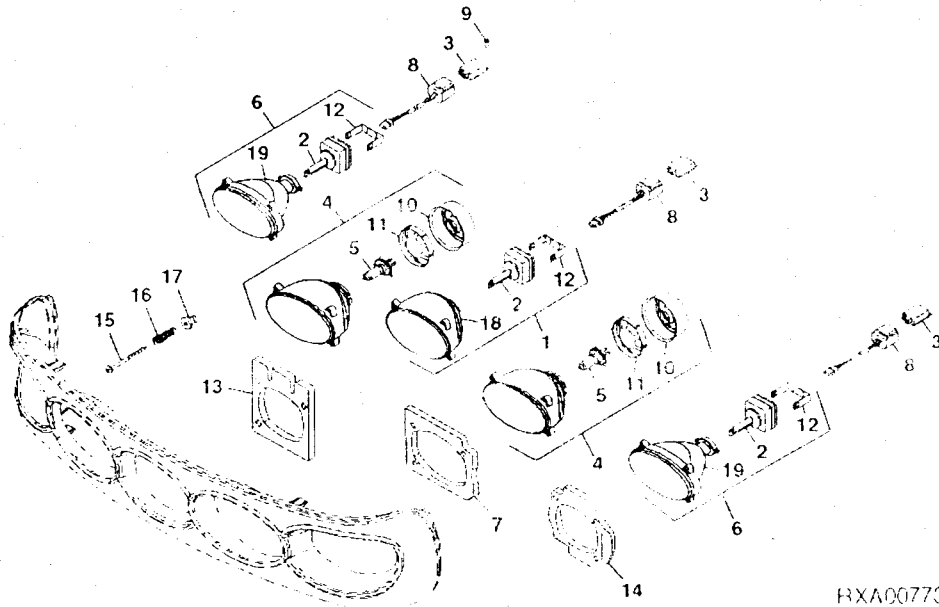


RXA0085366

KEY	PART NO.	PART NAME	QTY	TRACTOR SERIAL NO	A L L	REMARKS
1	RE173600	DUAL BEAM HEADLAMP	2		X	
2	RE180613	FLOODLAMP	2		X	
3	57M7166	BULB	2		X	
4	RE179326	BULB	2		X	
5	R210941	SEAL	1		X	L.H.
	R232916	SEAL	1		X	R.H.
6	R122858	LOCKING COLLAR	2		X	
7	R185676	BOOT	2		X	
8	JD5839	LABEL	1		X	
9	R191485	SCREW	12		X	
10	R184730	SPRING	12		X	
11	R180276	INSERT	12		X	
12	R210942	SEAL	1		X	L.H.
	R232917	SEAL	1		X	R.H.
13	RE211500	HEADLAMP WIRING HARNESS	1		X	(SUD RE250963)

**DELUXE HOOD LIGHTING**  
**ECLAIRAGE DE CAPOT DELUXE**  
**LUXUS-HAUBENBELEUCHTUNG**  
**ILLUMINAZIONE COFANO DELUXE**  
**CONJUNTO DE LUCES DE CAPO DE LUJO**  
**LYXHUVBELYSNING**

RXA0077360 -UN-02SEP04



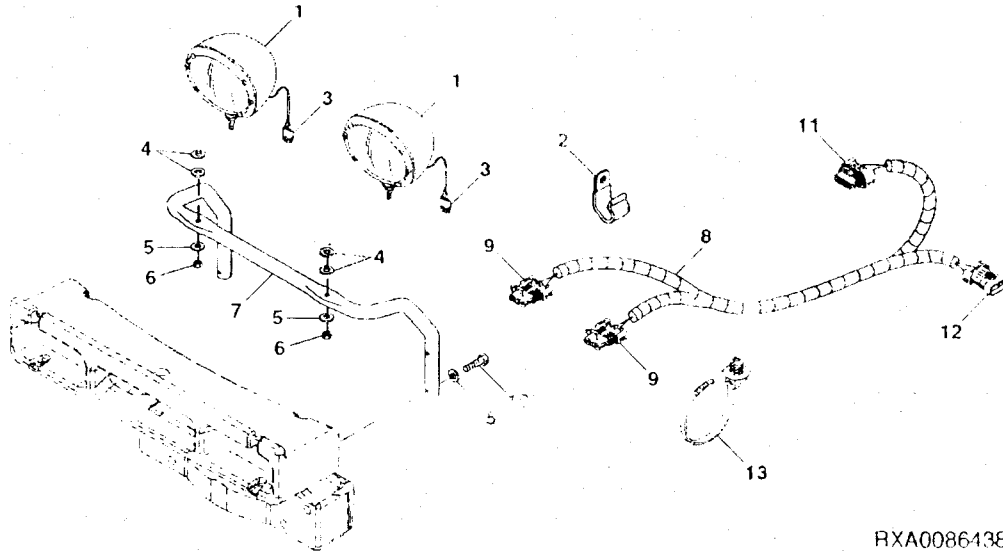
RXA0077360

KEY	PART NO.	PART NAME	QTY	TRACTOR SERIAL NO.		REMARKS
				A	L	
1	RE181282	FLOODLAMP	1		X	
2	RE179974	BULB	3		X	
3	RE179975	ELECTRIC BALLAST	3		X	
4	RE173600	LAMP	2		X	
5	57M7166	BULB	2		X	
6	RE169836	FLOODLAMP	2		X	
7	R210941	SEAL	1		X	LH
	R232918	SEAL	1		X	R.H.
8	RE185742	WIRING HARNESS	3		X	
9	37M7348	SCREW	9		X	
10	R185676	BOOT	2		X	
11	R122858	RETAINER	2		X	
12	R185678	CLIP	3		X	
13	R232918	SEAL	1		X	
14	R210941	SEAL	1		X	LH
	R232916	SEAL	1		X	R.H.
15	R191485	SCREW	15		X	
16	R184730	SPRING	15		X	
17	R180270	INSERT	15		X	
18	RE185680	LAMP	1		X	
19	RE185679	LAMP	1		X	

HEADLIGHTS LEFT-HAND TRAFFIC (UNITED KINGDOM)  
 PHARE ROUTE-GAUCHE (ROYAUME-UNI)  
 FRONTSCHWEINWERFER LINKSVERKEHR (ENGLAND)  
 FARO CIRCOLAZIONE DEL TRAFFICO SULLA SINISTRA (REGNO UNITO)  
 FARO DELANTERO CIRCULACION IZQUIERDA (REINO UNIDO)  
 STRAALKASTARE VAENSTERTRAFIK (ENGLAND)

RXA0086438

UN-01FEB06

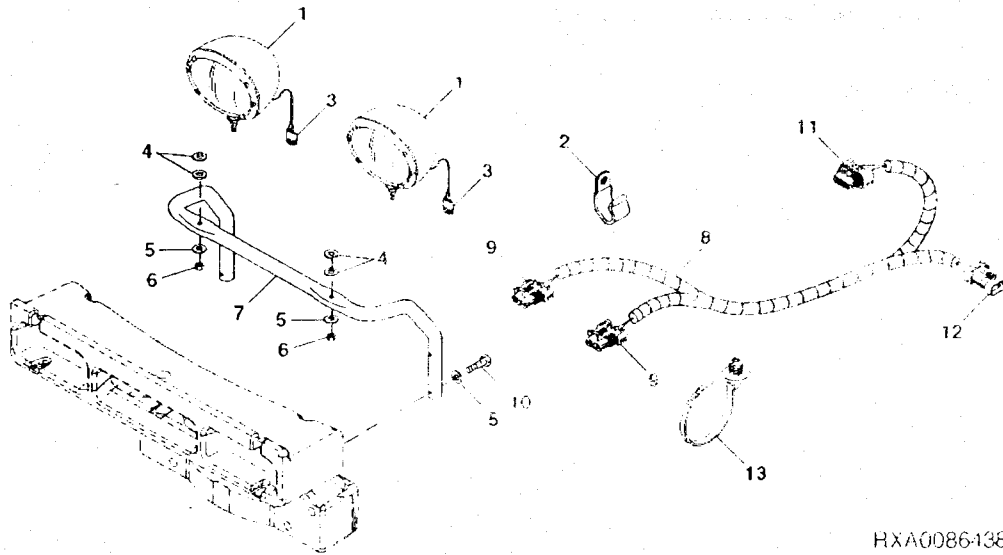


RXA0086438

KEY	PART NO.	PART NAME	QTY	TRACTOR SERIAL NO		REMARKS
				A	L	
1	RE229115	HEADLIGHT	2		X	
	57M7166	BULB	1		X	
2	R72853	CLAMP	1		X	
3	57M7257	ELEC. CONNECTOR HOUSING	2		X	
4	24M7136	WASHER	4		X	10.500 X 27 X 2 MM
5	R111382	WASHER	6		X	
6	14M7296	FLANGE NUT	2		X	M10
7	R243802	BRACKET	1		X	
8	RE211501	HEADLAMP WIRING HARNESS	1		X	(SUB RE250964)
9	57M7255	ELEC. CONNECTOR TERMINAL	2		X	
	57M7290	LOCK	1		X	
10	19M8359	CAP. SCREW	4		X	M8 X 45
11	57M7262	ELEC. CONNECTOR HOUSING	1		X	
12	57M7265	ELEC. CONNECTOR HOUSING	1		X	
13	T205819	TIE BAND	2		X	(SUB RE258807)

HEADLIGHTS RIGHT-HAND TRAFFIC (EUROPEAN VERSION)  
 PHARE ROUTE-DROITE (VERSION EUROPEENNE)  
 FRONTSCHWEINWERFER RECHTSVERKEHR (EUROPAEISCHE AUSFUEHRUNG)  
 FARO CIRCOLAZIONE DE TRAFFICO SULLA DESTRA (VERSIONE EUROPEA)  
 FARO DELANTERO CIRCULACION DERECHA (VERSION EUROPEA)  
 STRAALKASTARE HOEGERTRAFIK (EUROPEISK VERSION)

RXA0086438 -UN-01FEB06

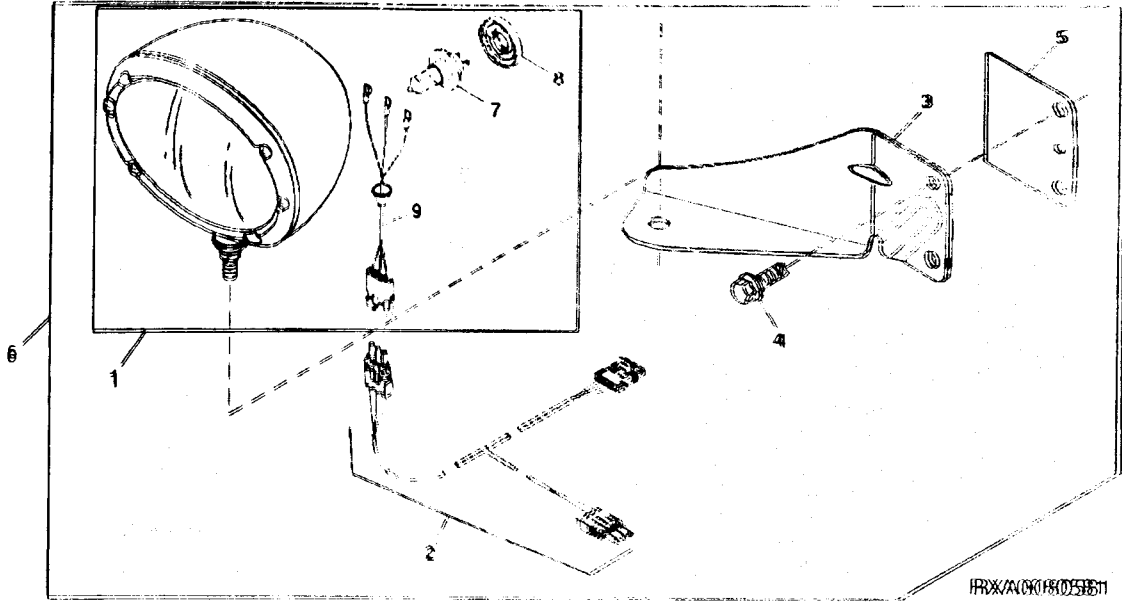


RXA0086438

KEY	PART NO.	PART NAME	QTY	TRACTOR SERIAL NO.		REMARKS
				A	L	
1	RE229111	HEADLIGHT	2		X	
	57M7166	BULB	1		X	
2	R72853	CLAMP	1		X	
3	57M7257	ELEC. CONNECTOR HOUSING	2		X	
4	24M7136	WASHER	4		X	
5	R111382	WASHER	6		X	
6	14M7296	FLANGE NUT	2		X	M10
7	R243802	BRACKET	1		X	
8	RE211501	HEADLAMP WIRING HARNESS	1		X	(SUB RE250964)
9	57M7255	ELEC. CONNECTOR HOUSING	2		X	
	57M7290	LOCK	1		X	
10	19M8359	CAP SCREW	4		X	M8 X 45
11	57M7262	ELEC. CONNECTOR HOUSING	1		X	
12	57M7265	ELEC. CONNECTOR HOUSING	1		X	
13	T205819	TIE BAND	2		X	(SUB RE258807)

**HEADLIGHTS RIGHT-HAND TRAFFIC KIT (EUROPEAN VERSION)**  
**JEU. PHARE ROUTE-DROITE (VERSION EUROPEENNE)**  
**SATZ, FRONTSCHWEINWERFER RECHTSVERKEHR (EUROPAEISCHE AUSFUEHRUNG)**  
**KIT, FARO CIRCOLAZIONE DE TRAFFICO SULLA DESTRA (VERSIONE EUROPEA)**  
**JUEGO, FARO DELANTERO CIRCULACION DERECHA (VERSION EUROPEA)**  
**SATS, STRAALKASTARE HOEGERTRAFIK (EUROPEISK VERSION)**

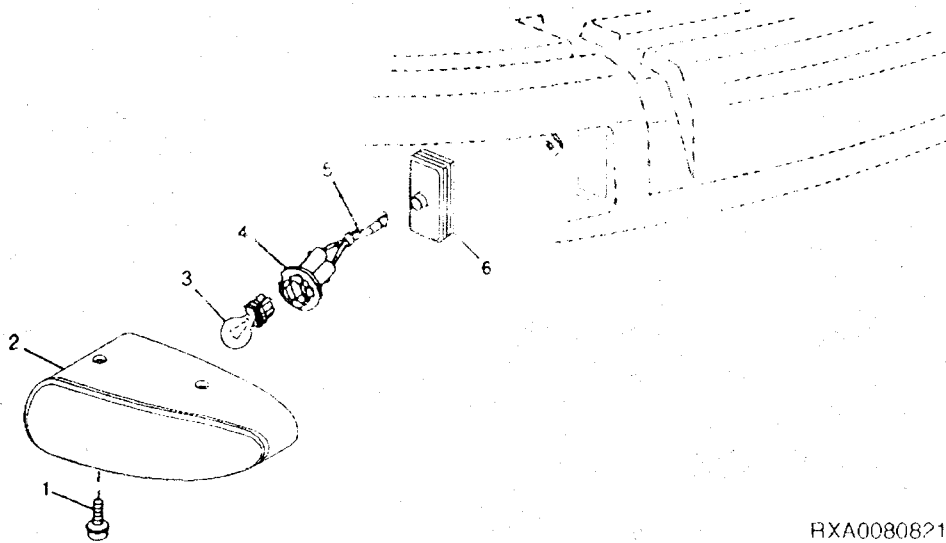
FXA0080581 -UN-05MAY05



KEY	PART NO.	PART NAME	QTY	CAR SERIAL NO.	A L L	REMARKS
1	RE229111	HEADLIGHT	2		X	
2	RE190253	HEADLAMP WIRING HARNESS	1		X	
3	R175434	BRACKET	1		X	L.H.
	R182033	BRACKET	1		X	R.H.
4	37M7257	SCREW	4		X	M8 X 16
5	R175436	GASKET	2		X	(SUB R2254929)
6	RE225343	FIELD INSTALLATION KIT	1		X	
7	57M7166	BULB	1		X	
8	L79050	DUST SHIELD	1		X	
9	RE229124	HEADLAMP WIRING HARNESS	1		X	

WARNING/TURNING LIGHT (ROOF) (NORTH AMERICAN VERSION)  
 FEU D'AVERTISSEMENT/CLIGOTANT (TOIT) (VERSION NORD AMERICAINE)  
 WARNLAMPE/BLINKER (DACH) (NORDAMERIKANISCHE AUSFUEHRUNG)  
 LUCE DI AVVERTENZA/INDICATOR DI DIREZIONE (TETTO) (VERSIONE NORDAMERICANA)  
 LUZ DE ADVERTENCIA/VIRAJE (TECHO) (VERSION NORTHAMERICANA)  
 VARNINGSLUS/KOERRIKTNINGAVISARE (TAK) (NORDAMERIKANSK VERSION)

RXA0080821 -UN-20JUN05



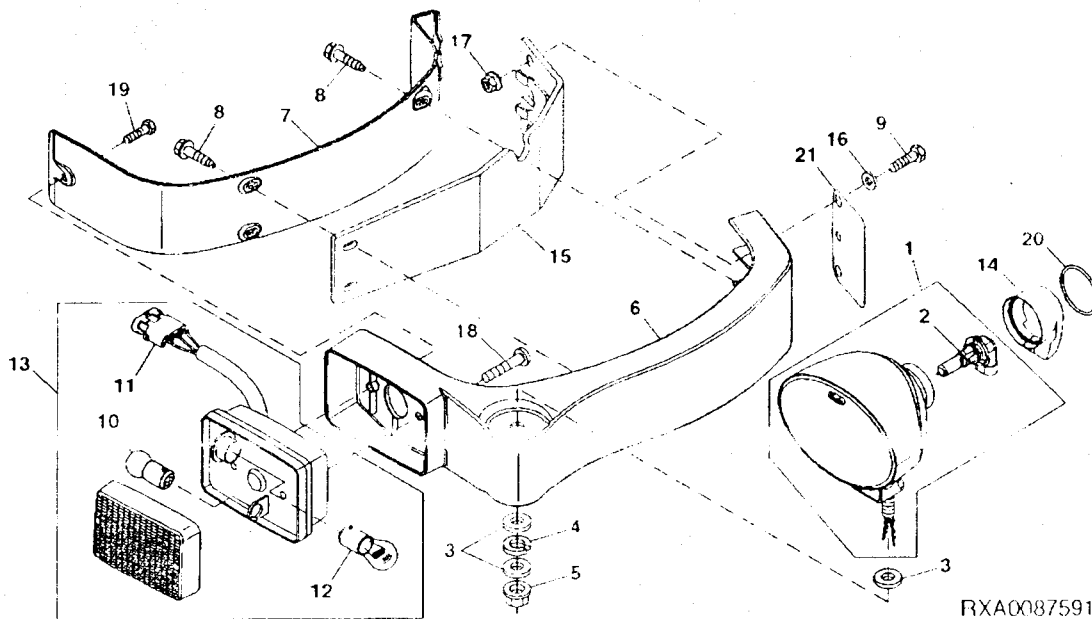
RXA0080821

KEY	PART NO.	PART NAME	QTY	TRACTOR SERIAL NO.	A		REMARKS
					L	L	
1	21M7452	SCREW	8		X	M6 X 90	
2	AL151873	LAMP	4		X		
3	RE49778	BULB	4		X	(GE3157)	
4	R114917	ELECTRICAL LAMP SOCKET	1		X	(ALSO ORDER (4) 57M7519)	
5	RE227767	ROOF WIRING HARNESS	1		X		
6	R227013	GROMMET	1		X		



DIRECTION INDICATOR LAMPS (CAB)(EUROPEAN VERSION)  
 FEUX DE CHANGEMENT DE DIRECTION(CABINE)(VERSION EUROPEENNE)  
 BLINKLEUCHTEN(FAHRERKABINE)(EUROPAEISCHE AUSFUEHRUNG)  
 FRECCHE(CABINA)(VERSIONE EUROPEA)  
 LUCES SENALIZADORAS DE DIRECCION(CABINA)(VERSION EUROPEA)  
 KOERRIKTNINGSVISARE(HYTT)(EUROPEISK VERSION)

RXA0087591 UN-13MAR06

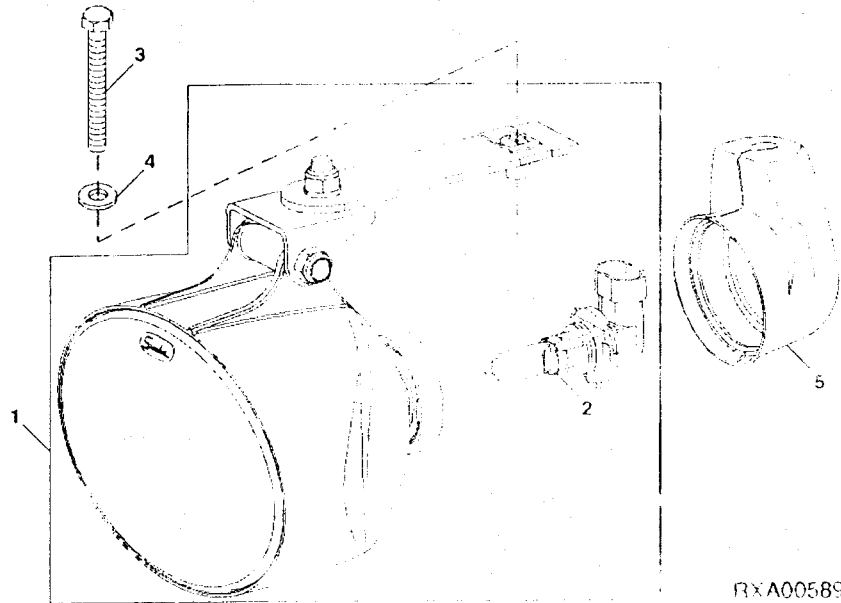


RXA0087591

KEY	PART NO.	PART NAME	QTY.	TRACTOR SERIAL NO	A L L	REMARKS
1	RE173604	FLOODLAMP	2		X	(SUB RE255988) (ALSO ORDER R175462 AND R252736)
2	RE179326	BULB	1		X	
3	24M7047	WASHER	6		X	13 X 24 X 2.500 MM
4	12H301	LOCK WASHER	2		X	12.700 MM
5	14M7397	LOCK NUT	2		X	M12
6	R186166	BRACKET	2		X	
7	R186166	COVER	2		X	
8	37M7304	SCREW	6		X	
9	21M7296	SCREW	4		X	M6 X 20
10	57M6498	BULB	1		X	
11	57M7257	ELEC. CONNECTOR HOUSING	1		X	12V / 5W. (ALSO ORDER (3) R104919 (3) 57M7258, 57M7317)
12	57M7014	BULB	1		X	12V/5W
13	AL75442	SIDE LIGHT	2		X	
14	R175462	BOOT	1		X	
15	RE196052	BRACKET	2		X	
16	24M7139	WASHER	4		X	6.400 X 18 X 1.600 MM
17	14M7397	LOCK NUT	4		X	M6
18	21M7265	SCREW	2		X	M5 X 12
19	21M7485	SCREW	2		X	M5 X 25
20	R252736	BAND	1		X	
21	R254930	GASKET	2		X	

WORKING LAMP (ROOF) (REAR)  
 PROJECTEURS DE TRAVAIL (TOIT) (ARRIERE)  
 ARBEITSLEUCHTEN (DACH) (HINTEN)  
 FANALI DI LAVORO (TETTO) (POSTERIORE)  
 LUCES DE TRABAJO (TECHO) (TRASERO)  
 ARBETSLYKTOR (TAK) (BAK, BAKRE)

RXA0058985 UN-11DEC01

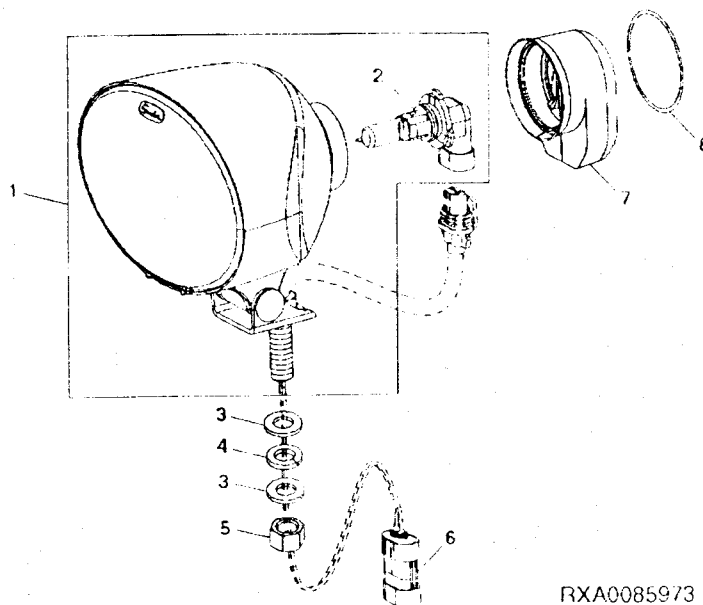


RXA0058985

KEY	PART NO	PART NAME	QTY	TRACTOR SERIAL NO	A L L	REMARKS
1	RE173602	FLOODLAMP	1		X	
2	RE179326	LAMP	1		X	
3	19M7274	CAP SCREW	1		X	M8 X 70
4	24H1822	WASHER	1		X	11/32" X 7/8" X 1/16"
5	R175462	BOOT	1		X	

REAR WORK LIGHT (FENDER)  
 PHARE DE LABOUR (GARDE-BOUE)  
 GERAETESCHEINWERFER (KOTSCHUETZER)  
 LUCE LAVORO (PARAFANGO)  
 FARO AUXILAR (GUARDABARRO)  
 BAKRE ARBETSLAMPA (SKAERM)

RXA0085973 -UN-19JAN06



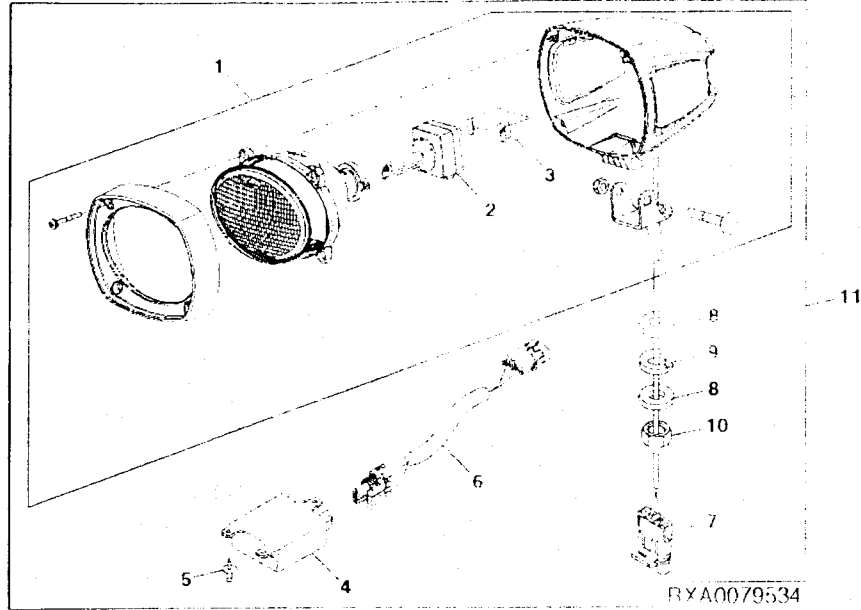
RXA0085973

KEY	PART NO	PART NAME	QTY	TRACTOR SERIAL NO	A L L	REMARKS
1	RE173604	FLOODLAMP	1		X	(SUB RE255988) (ALSO ORDER R175462 AND R252736)
2	RE179326	BULB	1		X	
3	24M7047	WASHER	2		X	13 X 24 X 2.500 MM
4	12H301	LOCK WASHER	1		X	12.700 MM
5	57M7256	ELECTRICAL CONNECTOR ASSY	1		X	
6	57M7289	ELEC. CONNECTOR ACCESSORY	1		X	
7	R175462	BOOT	1		X	
8	R252736	BAND	1		X	

# 44-13

REAR WORK LIGHT (FENDER)(HIGH INTENSITY DISCHARGE)  
 PHARE DE LABOUR (GARDE-BOUE)(DECHARGE A HAUTE INTENSITE)  
 GERAETESCHEINWERFER (KOTSCHUETZER)(ENTLADUNG HOHER INTENSITAET)  
 LUCE LAVORO (PARAFANGO)(LUCE AD ALTA INTENSITA')  
 FARO AUXILAR (GUARDABARRO)(DESCARGA DE INTENSIDAD ALTA)  
 BAKRE ARBETSLAMPA (SKAERM)(URLADDNING MED HOEG INTENSITET)

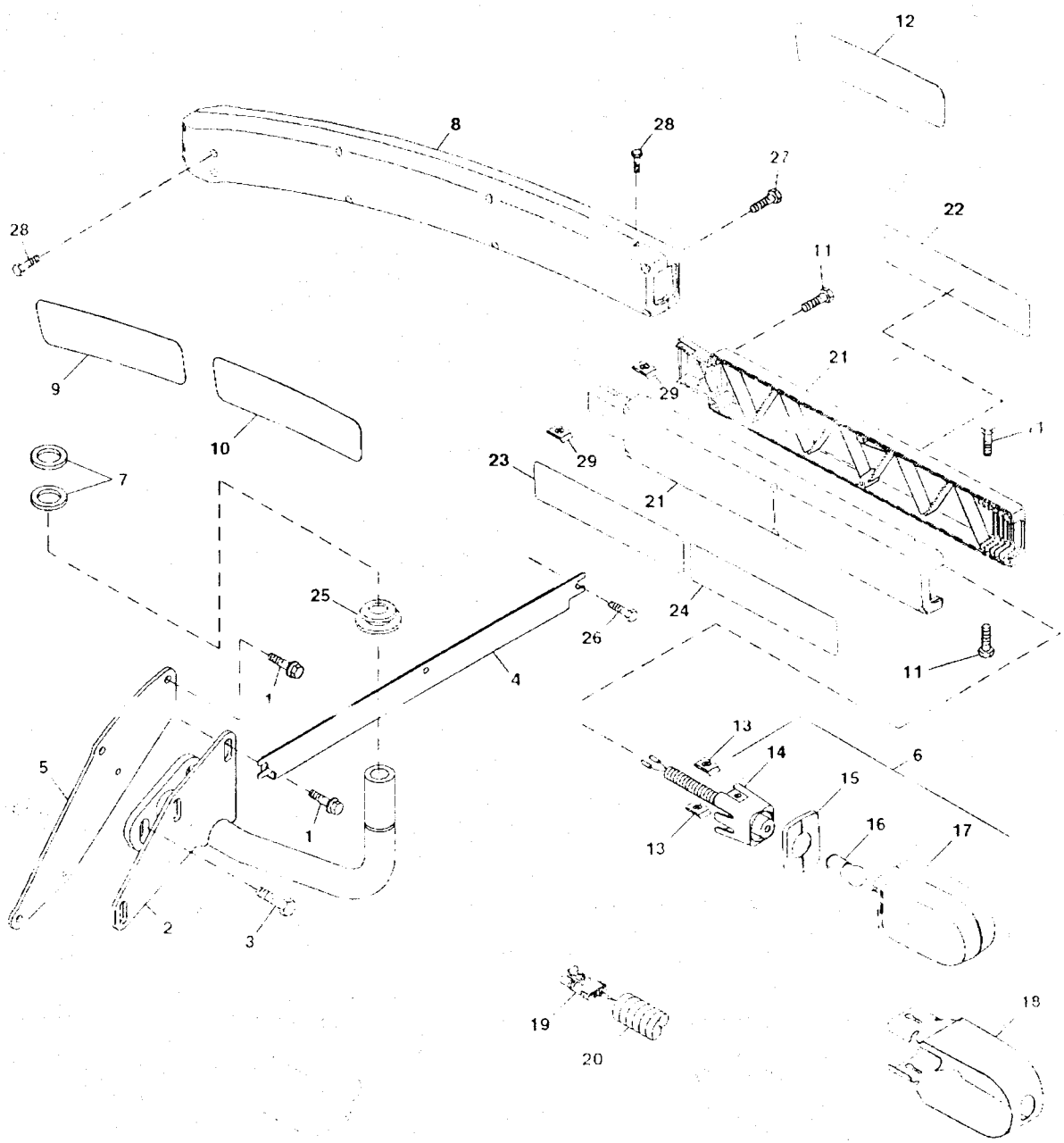
RXA0079534 -UN-09MAR05



KEY	PART NO.	PART NAME	QTY.	TRACTOR SERIAL NO.	A L L	REMARKS
1	RE234568	FLOODLAMP	1		X	
2	RE179974	LAMP	1		X	
3	R185678	HOLD-DOWN CLIP	1		X	
4	RE179975	ELECTRIC BALLAST	1		X	
5	R79033	RIVET	3		X	0.188"
6	RE234604	CAB WIRING HARNESS	1		X	
7	57M8956	ELECTRICAL CONNECTOR ASSY	1		X	
8	24M7047	WASHER	2		X	13 X 24 X 2.0 MM
9	12H301	LOCK WASHER	1		X	1/2"
10	14M7168	LOCK NUT	1		X	M12
11	RE242550	FIELD INSTALLATION KIT	1		X	

EXTREMITY WARNING LAMP  
 FEUX D'AVERTISSEMENT D'EXTREMITE  
 UEBERSTANDS-WARNLEUCHTE  
 LAMPADA TERMINALE DI AVVERTIMENTO  
 LUZ DE ADVERTENCIA DE EXTREMIDAD  
 UTVAENDIG VARNINGSLAMPA

RXA0063952 UN 02DLC02



RXA0063952

KEY	PART NO.	PART NAME	QTY	TRACTOR SERIAL NO.	A L L	REMARKS
1	R216838	SCREW	6		X	HS 10.9
2	RE207026	BRACKET	1		X	L.H.
	RE207025	BRACKET	1		X	R.H.
3	19M7785	SCREW	2		X	
4	R174049	SHIELD	1		X	
5	R175892	PLATE	1		X	
6	RE199920	LAMP	1		X	
7	R180671	WASHER	2		X	
8	RE219773	ARM	1		X	
9	R213356	LABEL	1		X	
10	R213355	LABEL	1		X	(SUE R244856)
11	21M7303	SCREW	8		X	M5 X 20
12	R213358	LABEL	1		X	
13	R106529	NUT	2		X	
14	RE199919	BASE	1		X	
15	R176175	GASKET	1		X	
16	57M8180	BULE	1		X	
17	R175748	LENS	1		X	
18	R179273	SHIELD	1		X	
19	RE12363	CONNECTOR	1		X	
	R78053	ELECTRICAL CONNECTOR ASSY	1		X	
20	RE211464	CAB WIRING HARNESS	1		X	(SUB RE250943)
	RE222997	WIRING HARNESS	2		X	(B)
21	R172002	ARM	1		X	(A)
22	JD5921	REFLECTOR	1		X	(A)
23	JD5922	REFLECTOR	1		X	(A)
24	JD5920	REFLECTOR	1		X	(A)
25	R171976	GROMMET	1		X	
26	37M7092	SCREW	1		X	M8 X 16
27	37M7372	SCREW	6		X	
28	21M7303	SCREW	7		X	M5 X 20
29	R106529	NUT	2		X	
...	AR219583	FIELD INSTALLATION KIT	1		X	(C)

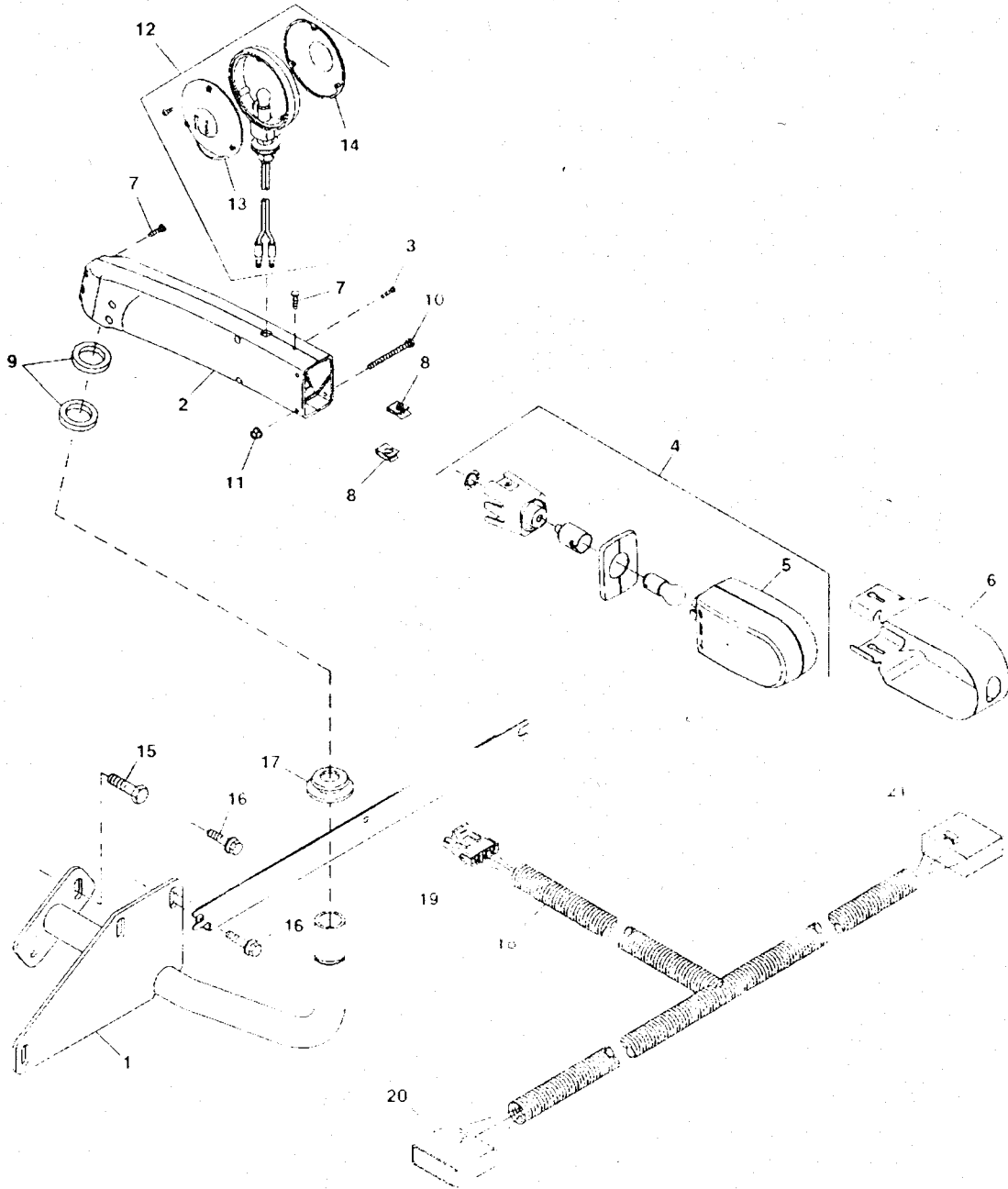
(A) EXTENSION  
 EXTENSION  
 VERLAENGERUNG  
 ESTENSIONE  
 EXTENSION  
 FOERLAENGNING

(B) SOUTH AFRICA ONLY  
 AFRIQUE DU SUD SEULEMENT  
 NUR SUEDAFRIKA  
 SOLO SUDAFRICA  
 SOLO SUDAFRICA  
 ENDAST SYDAFRICA

W/O EXTENSION  
 W/O VERLAENGERUNG  
 W/O ESTENSIONE  
 W/O EXTENSION  
 W/O FOERLAENGNING

EXTREMITY WARNING LAMP, 2.85M (EUROPEAN VERSION)  
 FEUX D'AVERTISSEMENT D'EXTREMITE, 2.85M (VERSION EUROPEENNE)  
 UEBERSTANDS-WARNLEUCHTE, 2.85M (EUROPAEISCHE AUSFUEHRUNG)  
 LAMPADA TERMINALE DI AVVERTIMENTO 2.85M (VERSIONE EUROPEA)  
 LUZ DE ADVERTENCIA DE EXTREMIDAD, 2.85M (VERSION EUROPEA)  
 UTVAENDIG VARNINGSLAMPA, 2.85M (EUROPEISK VERSION)

HXA0072571 UN 15DEC03



RXA0072571

THIS PARTS LISTING IS CONTINUED

## 44-17

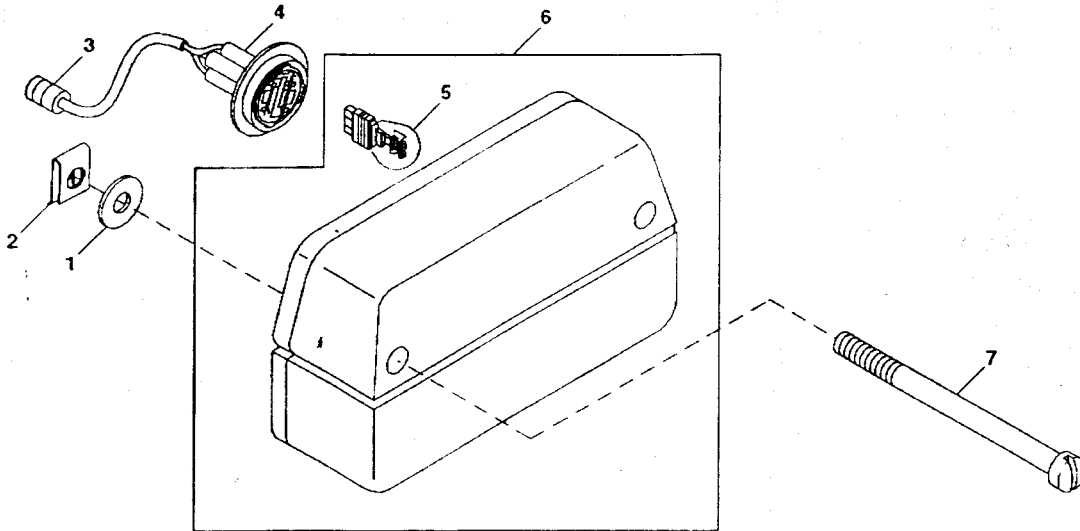
LIGHTS

KEY	PART NO.	PART NAME	QTY.	TRACTOR SERIAL NO.	A L L	REMARKS
1	RE207025	BRACKET	1		X	R.H.
	RE207026	BRACKET	1		X	L.H.
2	RE216040	ARM	1		X	
3	37M7372	SCREW	2		X	
4	RE193222	LAMP	1		X	
5	R204170	LENS	1		X	
6	R179273	SHIELD	1		X	
7	21M7303	SCREW	7		X	M5 X 20
8	R106529	NUT	2		X	
9	R180671	WASHER	2		X	
10	21M7447	SCREW	2		X	M5 X 60
11	14M7450	FLANGE NUT	2		X	M5
12	RE193224	LAMP	1		X	
13	R204172	LENS	2		X	
14	R204171	LENS	1		X	
15	19M7785	SCREW	2		X	M10 X 25
16	R216838	SCREW	1		X	
17	R171976	GROMMET	1		X	
18	RE193252	TURN SIGNAL WIRING HARNESS	1		X	
	R174049	SHIELD	1		X	
19	RE12363	ELECTRICAL CONNECTOR ASSY	1		X	
20	57M7244	ELEC. CONNECTOR TERMINAL	1		X	
21	57M8416	ELEC. CONNECTOR TERMINAL	1		X	



TAIL LIGHT  
 FEUX ARRIERE  
 SCHLUSSEUCHTEN  
 LUCI CODA  
 LUCES PILOTO TRASERAS  
 BAKLJUS

RXA0067048 -UN-13MAY03



RXA0067048

KEY	PART NO.	PART NAME	QTY.	TRACTOR SERIAL NO.	A L L	REMARKS
1	24M7244	WASHER	4		X	6.400 X 12 X 1.600 MM
2	R134098	NUT	4		X	
3	.....	WIRING HARNESS	1		X (A)	
4	R114917	ELECTRICAL LAMP SOCKET	2		X	(ALSO ORDER (4) 57M7519)
5	RE49778	BULB	2		X	(GE3157)
6	RE150894	TAIL LAMP	2		X	
7	21M7452	SCREW	4		X	M6 X 90

(A) ENGINE AND CHASSIS  
 MOTEUR ET CHASSIS  
 MOTOR UND CHASSIS  
 MOTORE E TELAIO  
 MOTOR Y CHASIS  
 MOTOR OCH CHASSI

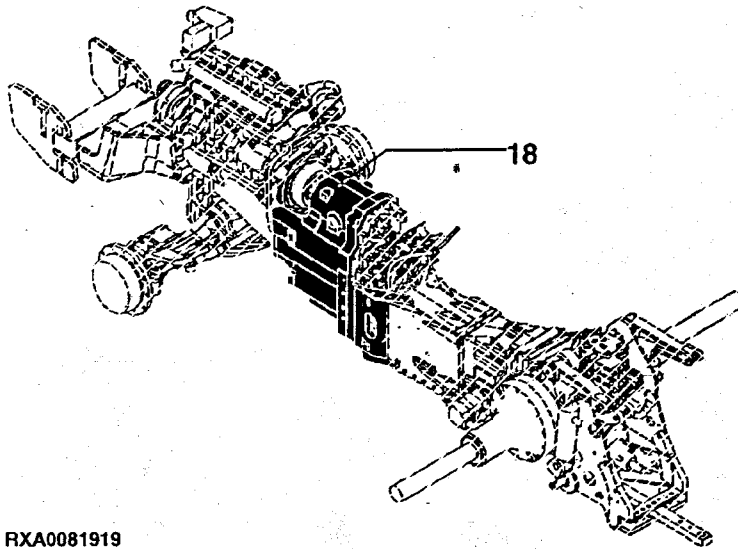
# 51-A01

POWER SHIFT TRANSMISSION

SECTIONAL INDEX  
INDEX DE SECTION  
GRUPPENINDEX  
INDICE DELLA SEZIONE  
INDICE DE SECCION  
GRUPPSFORTECKNING

RXA0081919 -UN-

18-	38
18-	40



RXA0081919

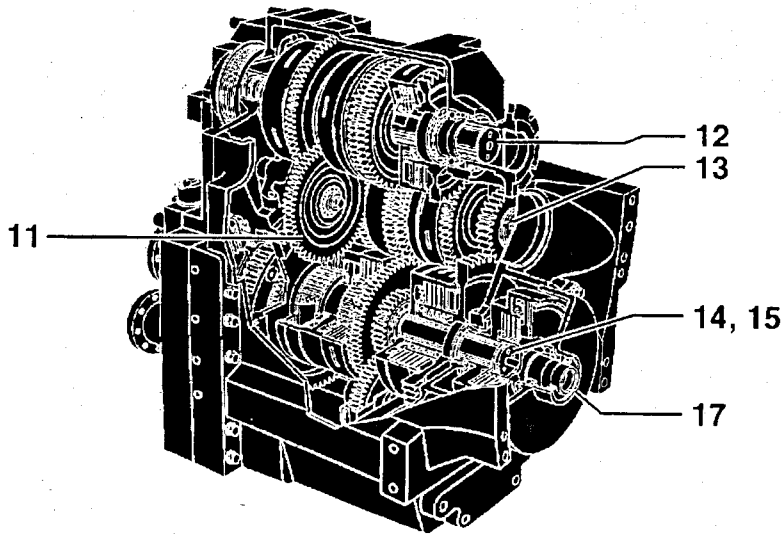
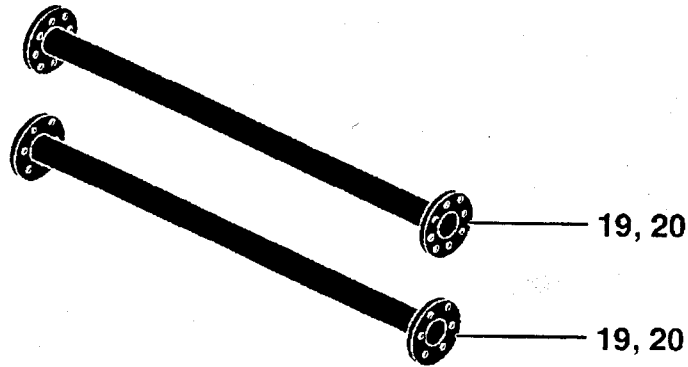
# 51-A02

POWER SHIFT TRANSMISSION

SECTIONAL INDEX  
INDEX DE SECTION  
GRUPPENINDEX  
INDICE DELLA SEZIONE  
INDICE DE SECCION  
GRUPPSFORTECKNING

RXA0081921 -UN-

11-	22
12-	24
13-	26
14-	28
15-	30
17-	34
19-	36
20-	42
20-	44



RXA0081921

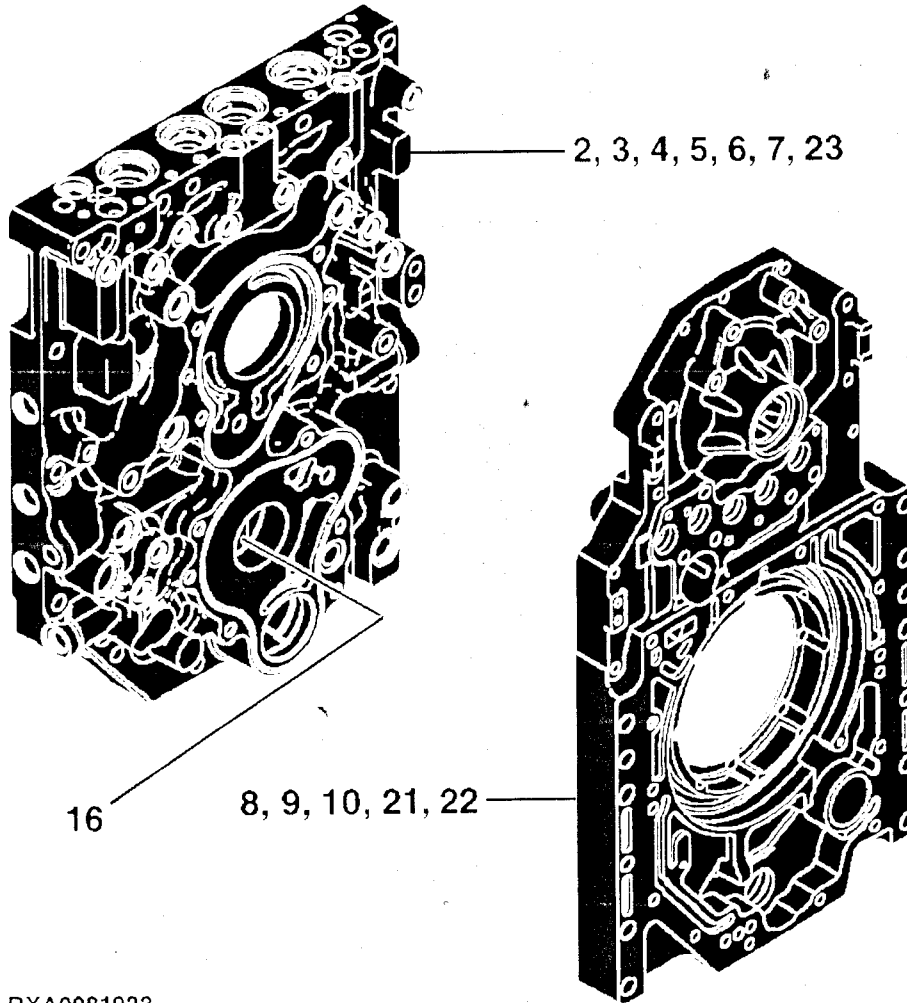
# 51-A03

POWER SHIFT TRANSMISSION

SECTIONAL INDEX  
 INDEX DE SECTION  
 GRUPPENINDEX  
 INDICE DELLA SEZIONE  
 INDICE DE SECCION  
 GRUPPSFORTECKNING

RXA0081923 -UN-

2-	4
3-	6
4-	8
5-	10
6-	12
7-	14
8-	16
9-	18
10-	20
16-	32
21-	46
22-	48
23-	50



RXA0081923

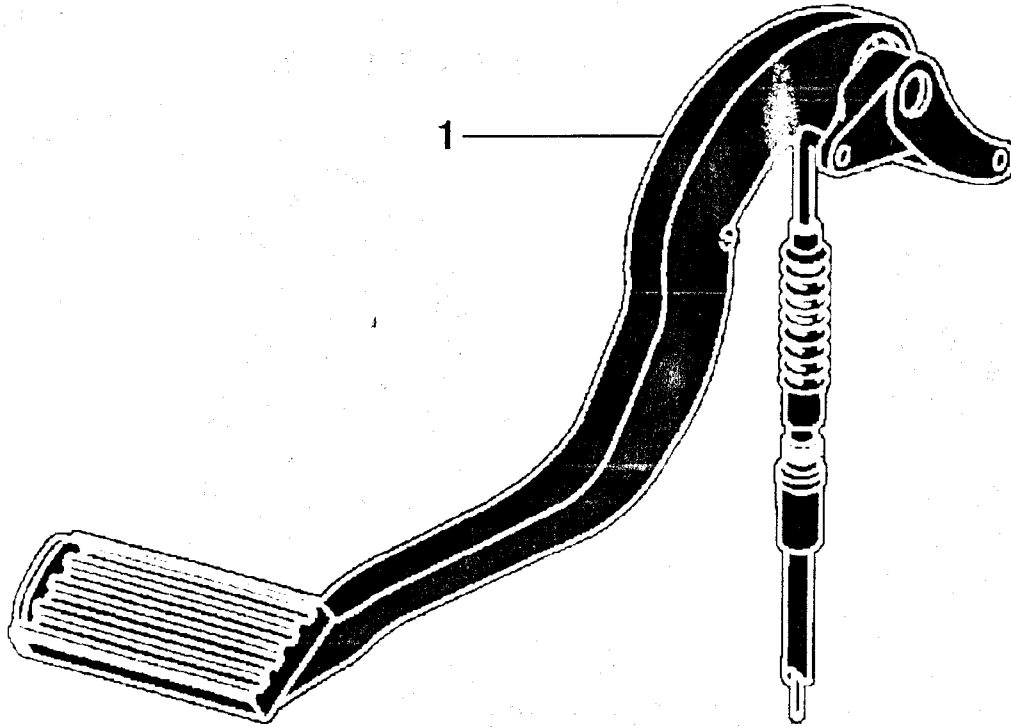
# 51-A04

POWER SHIFT TRANSMISSION

SECTIONAL INDEX  
INDEX DE SECTION  
GRUPPENINDEX  
INDICE DELLA SEZIONE  
INDICE DE SECCION  
GRUPPSFORTECKNING

RXA0081924 -UN-

1- 2

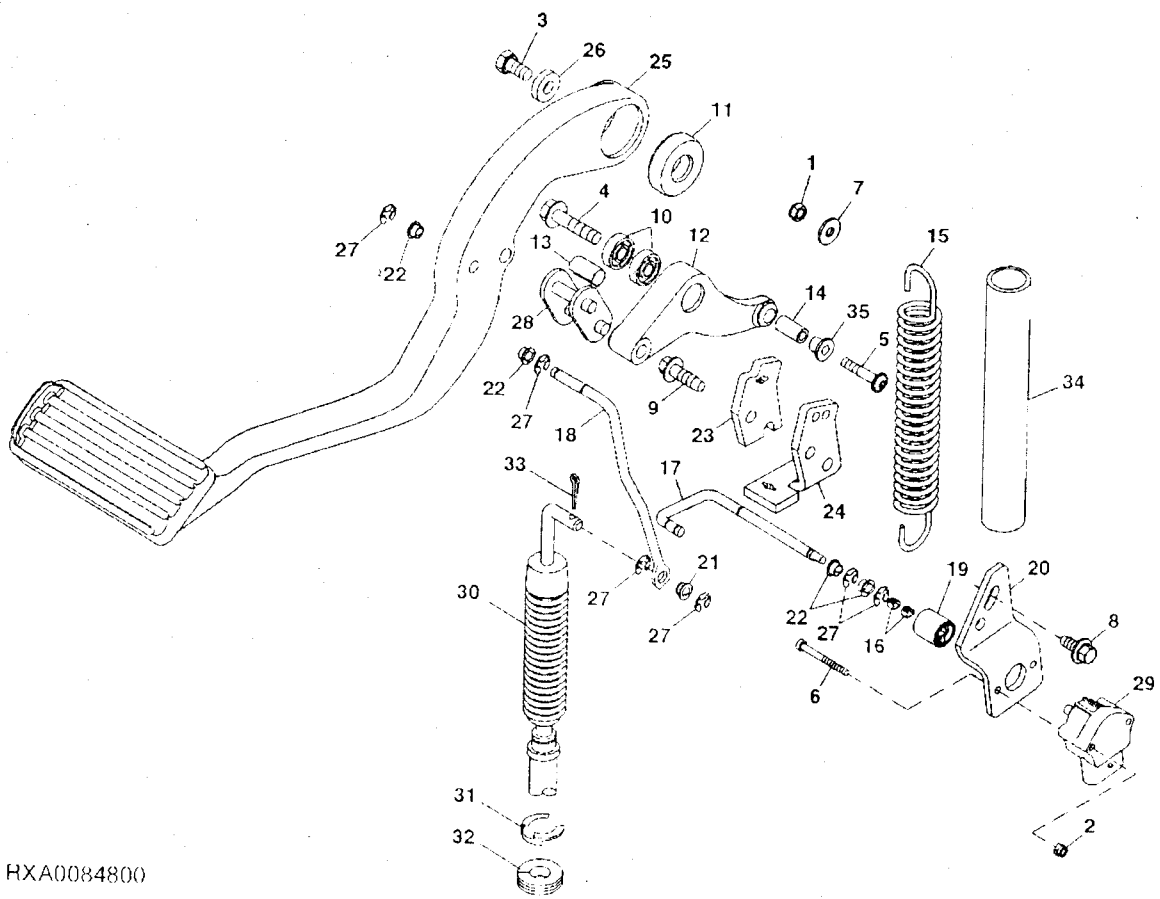


RXA0081924

MEMORANDA  
MEMORANDA  
MEMORANDA  
MEMORANDA  
MEMORANDA  
MEMORANDA

CLUTCH PEDAL  
 PEDALE D'EMBRAYAGE  
 KUPPLUNGSFUSSHEBEL  
 PEDALE FRIZIONE  
 PEDAL DEL EMBRAGUE  
 KOPPLINGSPEDAL

HXA0084800 -UN-01DEC05



HXA0084800

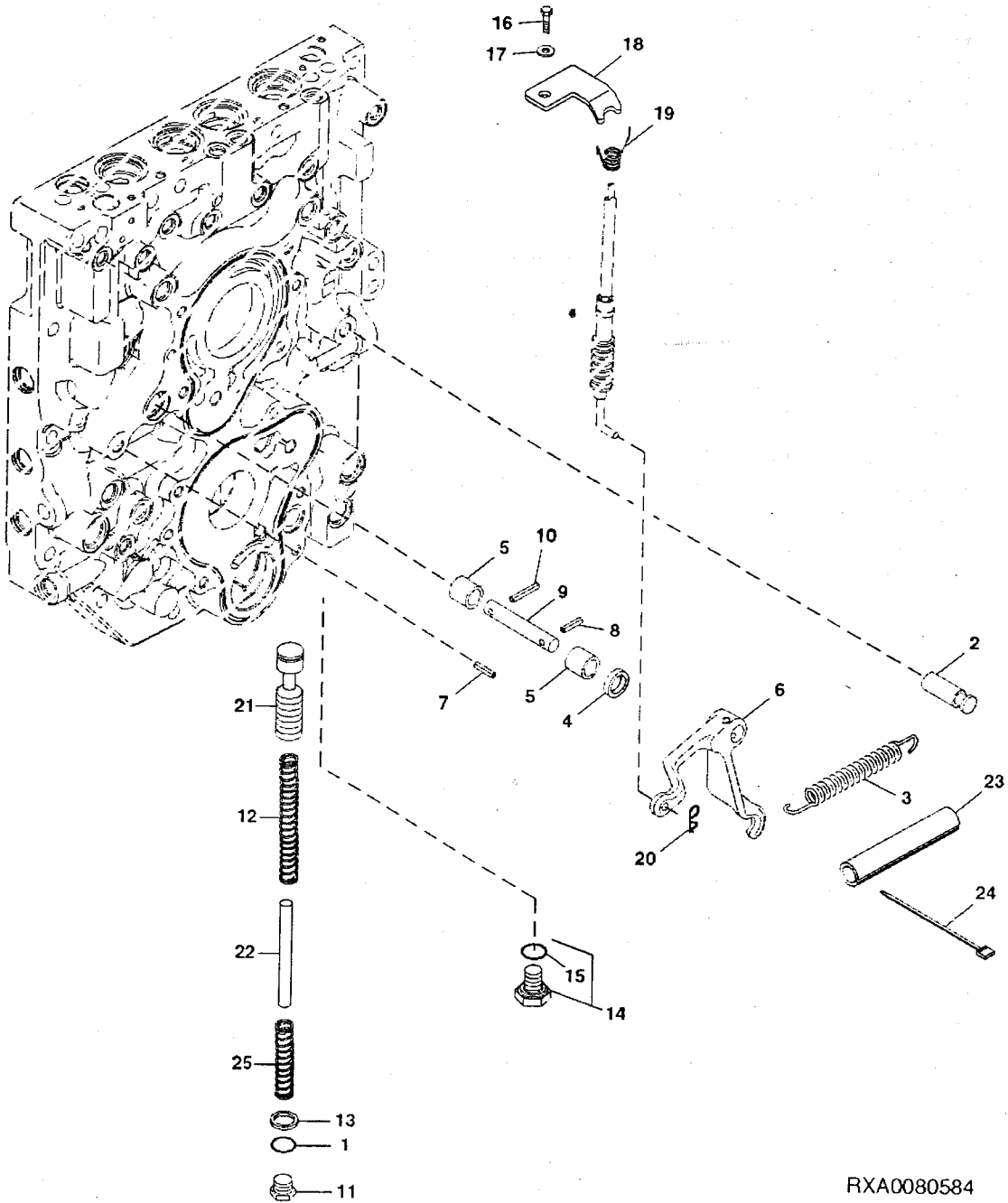
THIS PARTS LISTING IS CONTINUED

KEY	PART NO.	PART NAME	QTY.	TRACTOR SERIAL NO.	A L L	REMARKS
1	14M7165	LOCK NUT	1		X	M6
2	14M7264	LOCK NUT	2		X	M4
3	19M7932	CAP SCREW	1		X	M8 X 16
4	19M8291	SCREW	2		X	M8 X 35
5	19M8903	SCREW	1		X	M6 X 30
6	19M9158	SCREW	2		X	M4 X 40
7	24H1287	WASHER	1		X	7.137 X 15.875 X 1.651 MM
8	37M7092	SCREW	2		X	
9	37M7265	SCREW	2		X	
10	JD10181	BALL BEARING	2		X	
11	JD8535	BALL BEARING	1		X	
12	R127831	ARM	1		X	
13	R127832	BUSHING	2		X	
14	R131501	BUSHING	1		X	
15	R215560	EXTENSION SPRING	1		X	
16	R161080	CLIP	2		X	
17	R185054	LINK	1		X	
18	R185063	LINK	1		X	
19	R185089	ADAPTER	1		X	
20	R185374	BRACKET	1		X	
21	R189697	WASHER	1		X	
22	R189698	WASHER	4		X	
23	R197684	PLATE	1		X	IVT
24	R197685	BRACKET	1		X	IVT
	R131875	BRACE	1		X	
25	R127830	PEDAL	1		X	
	R199943	PEDAL	1		X	IVT
26	R56397	WASHER	1		X	
27	R72654	SNAP RING	6		X	
28	RE165649	LINK	1		X	
29	RE220036	SENSOR	1		X	
30	RE177506	PUSH PULL CABLE	1		X	
31	R108214	CLIP	1		X	
32	R113023	GROMMET	1		X	
33	11M7059	COTTER PIN	1		X	
34	R214535	HOSE	1		X	
35	R78425	BUSHING	1		X	



MANIFOLD PRESSURE CONTROL VALVE  
 SOUPAPE DE SURPRESSION DU REPARTITEUR  
 VERTEILER-DRUCKREGELVENTIL  
 VALVOLA DI REGOLAZIONE PRESSIONE COLLETTORE  
 VALVULA DE CONTROL DE PRESION DE MULTIPLE  
 FOERDELARE, PRESSOSTATVENTIL

RXA0080584 -UN-04MAY05



RXA0080584

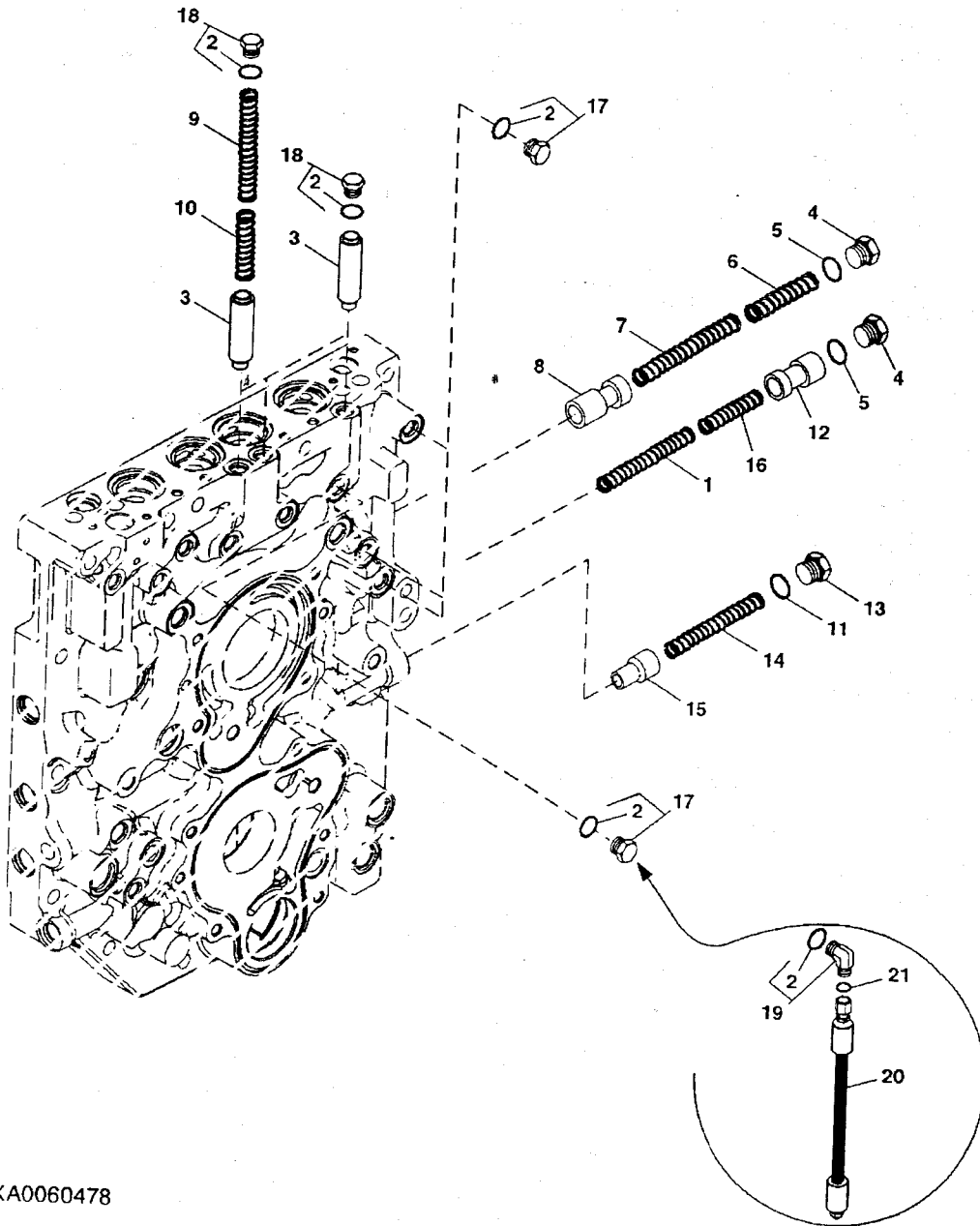
## 51-7

POWER SHIFT TRANSMISSION

KEY	PART NO.	PART NAME	QTY.	TRANSMISSION SERIAL NO.	A	REMARKS
					L	
1	R125064	PIPE PLUG	4		X	
2	R211082	CLAMP	2		X	
3	D2361R	BALL	2		X	
4	R97116	KNOB	1		X	
5	24M7139	WASHER	2		X	6.400 X 18 X 1.600 MM
6	R108562	STUD	1		X	
7	AR103873	SEAL	1		X	
8	R108489	VALVE	1		X	
9	R33259	O-RING	4		X	
10	RE211157	SOLENOID VALVE	1		X	
11	19M7560	CAP SCREW	2		X	M6 X 16
12	R27928	O-RING	4		X	
13	R151701	O-RING	4		X	
14	RE177539	VALVE	4		X	
15	R95045	CLAMP	4		X	
16	19M7932	CAP SCREW	4		X	M8 X 16, HS 10.9
17	19M7560	CAP SCREW	2		X	M6 X 16
18	L100496	PLUG	1		X	W/O MFWD
19	RE47392	O-RING KIT	2		X	W/O MFWD
20	U41966	O-RING	4		X	
21	R106663	O-RING	4		X	
22	U11326	O-RING	4		X	
23	R62070	RING	4		X	
24	R44394	NEEDLE ROLLER	1		X	
25	RE211157	SOLENOID VALVE	1		X	W/ MFWD
26	RE46684	PLUG	1		X	
27	51M7041	O-RING	1		X	11.300 X 2.200 MM
28	AT107509	PLUG	2		X	
29	R108547	BEARING CUP	1		X	
30	R108576	SLEEVE	1		X	
31	R114219	SHAFT	1		X	
32	R115233	SHAFT	1		X	
33	R166317	PIN	1		X	
34	R28671	DOWEL PIN	4		X	
35	R48685	DOWEL PIN	1		X	
36	T26565	DOWEL PIN	2		X	

MANIFOLD VALVES  
SOUPAPES DU REPARTITEUR  
VERTEILERVENTILE  
VALVOLE DEL COLLETORE  
VALVULAS DE MULTIPLE  
FOERDELARE, VENTILER

RXA0060478 -UN-06MAY02



RXA0060478

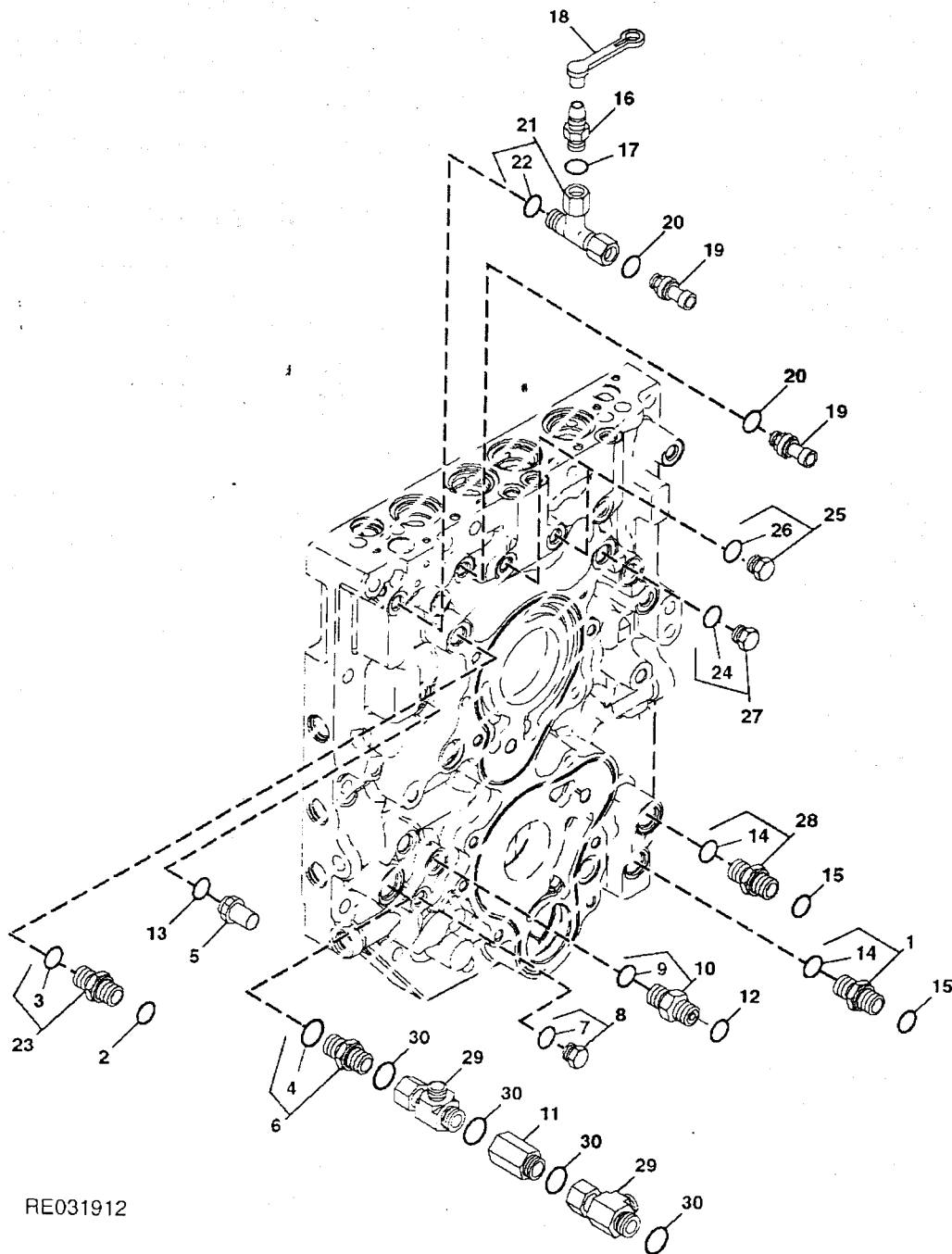
KEY	PART NO.	PART NAME	QTY.	TRANSMISSION SERIAL NO.	A L L	REMARKS
1	R163320	SPRING	1		X (A)	
2	51M7041	O-RING	AR		X	11.300 X 2.200 MM
3	R155963	VALVE	3		X	
4	R116115	FITTING	1		X	
5	51M7045	O-RING	2		X	19.300 X 2.200 MM
6	R150574	SPRING	1		X (B)	
7	R150573	SPRING	1		X (A)	
8	R169616	VALVE	1		X	
9	R155964	SPRING	3		X (A) W/O MFWD	
	R155964	SPRING	2		X (A) W/ MFWD	
10	R156765	SPRING	3		X (B) W/O MFWD	
	R156765	SPRING	2		X (B) W/ MFWD	
11	51M7045	O-RING	1		X	19.300 X 2.200 MM
12	R170181	PRESSURE RELIEF VALVE	1		X	
13	R116115	PLUG	1		X	
14	R160833	COMPRESSION SPRING	1		X	
15	R160835	VALVE SPOOL	1		X	
16	R163321	SPRING	1		X (B)	
17	RE46684	PLUG	3		X	
18	RE157055	FITTING PLUG	3		X	
19	38H5023	ELBOW FITTING	1		X W/ MFWD	
20	RE154412	OIL LINE	1		X W/ MFWD	
21	T77613	O-RING	1		X W/ MFWD	

(A) OUTER  
EXTERNE  
AUSSEN  
ESTERNO  
EXTERIOR  
YTTRE

(B) INNER  
INNERE  
INNEN  
INTERNO  
INTERIOR  
INRE

MANIFOLD SWITCHES AND CONNECTORS  
INTERRUPTEURS ET CONNEXTEURS DU REPARTITEUR  
VERTEILERSCHALTER UND-STECKVERBINDER  
INTERRUPTORI E CONNETTORI DEL COLLECTORE  
INTERRUPTORES Y CONECTORES DE MULTIPLE  
FOERDELARKONTAKTER OCH ANSLUTNINGSDON

RE031912 -UN-06APR01



RE031912

# 51-11

POWER SHIFT TRANSMISSION

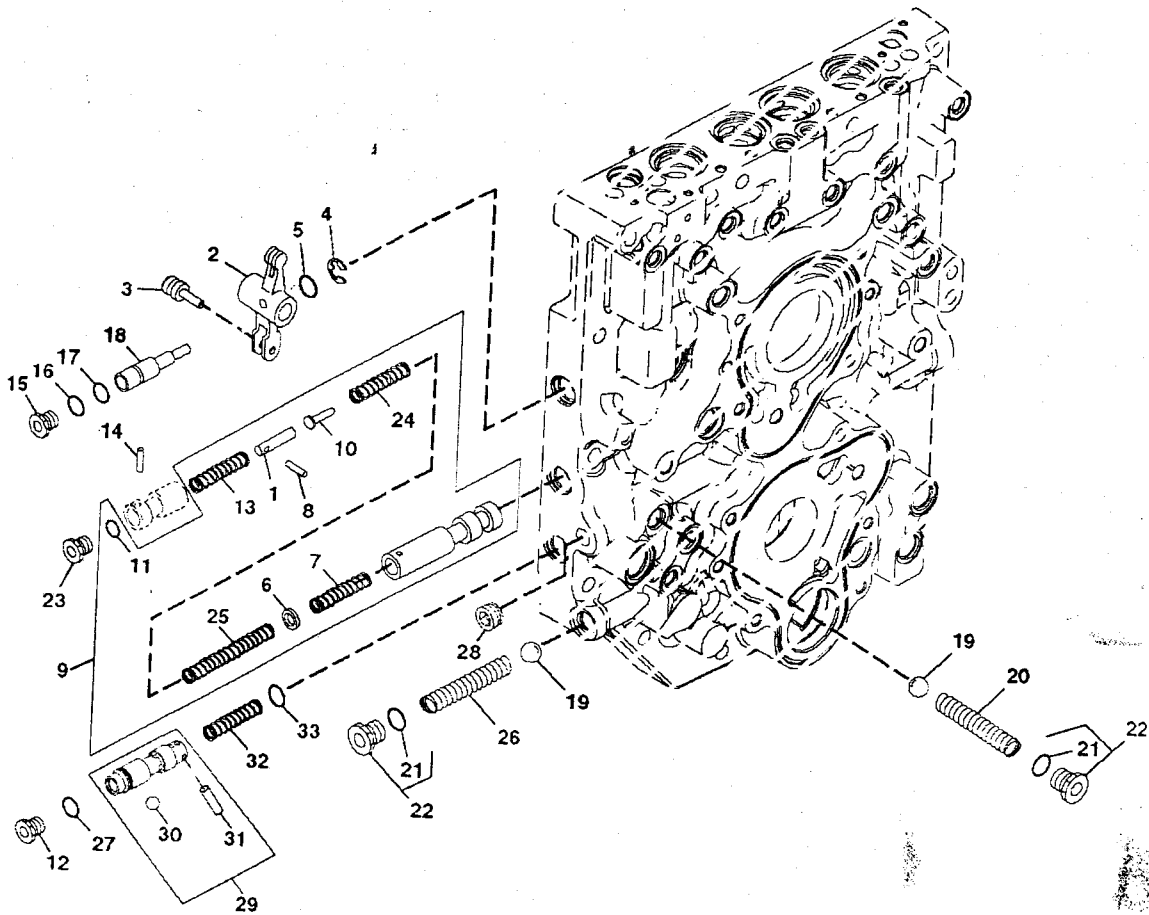
KEY	PART NO.	PART NAME	QTY.	TRANSMISSION SERIAL NO.	A L L	REMARKS
1	38H5121	ADAPTER FITTING	1		X	
2	T77857	O-RING	1		X	
3	51M7043	O-RING	1		X	15.300 X 2.200 MM
4	51M7047	O-RING	1		X	23.600 X 2.900 MM
5	RE46534	SWITCH	1		X	
6	38H5005	ADAPTER FITTING	1		X	
7	51M7041	O-RING	1		X	11.300 X 2.200 MM
8	RE46684	PLUG	1		X	
9	51M7041	O-RING	1		X	11.300 X 2.200 MM
10	38H5002	ADAPTER FITTING	1		X	
11	RE51573	CHECK VALVE	1		X	
12	T77613	O-RING	1		X	
13	51M7042	O-RING	2		X	13.300 X 2.200 MM
14	51M7045	O-RING	2		X	19.300 X 2.200 MM
15	T77858	O-RING	2		X	
16	RE190805	DIAGNOSTIC COUPLING	1		X	
17	51M7041	O-RING	1		X	11.300 X 2.200 MM
18	R77175	COVER	1		X	
19	RE217077	TRANS OIL PRESSURE SENSOR	2		X	(INCLUDES 51M7041)
20	51M7041	O-RING	2		X	11.300 X 2.200 MM
21	RE61274	TEE FITTING	1		X	
22	51M7041	O-RING	1		X	11.300 X 2.200 MM
23	38H5003	ADAPTER FITTING	1		X	
24	51M7043	O-RING	1		X	15.300 X 2.200 MM
25	RE46684	PLUG	2		X	
26	51M7041	O-RING	2		X	11.300 X 2.200 MM
27	RE46685	PLUG	1		X	
28	38H5121	ADAPTER FITTING	1		X	
29	38H5136	TEE FITTING	2		X	
30	T77858	O-RING	4		X	

# 51-12

POWER SHIFT TRANSMISSION

MANIFOLD CLUTCH VALVE  
SOUPAPE D'EMBRAYAGE DU REPARTITEUR  
VERTEILERKUPPLUNGSVENTIL  
VALVOLA FRIZIONE COLLETTORE  
VALVULA DE EMBRAGUE DE MULTIPLE  
FOERDELARE, KOPPLINGSVENTIL

RXA0061230 -UN-20JUN02



RXA0061230

# 51-13

POWER SHIFT TRANSMISSION

KEY	PART NO	PART NAME	QTY.	TRANSMISSION SERIAL NO.	A L L	REMARKS
1	R122197	LINK	1		X	
2	R108488	ARM	1		X	
3	R104745	PIN FASTENER	1		X	
4	R72653	SNAP RING	1		X	
5	24M7420	WASHER	1		X	8.250 X 16 X 1.600 MM
6	R52665	THRUST WASHER	1		X	
7	R134582	SPRING	1		X	
8	34H261	SPRING PIN	1		X	5/32" X 11/16"
9	RE168161	KIT	1		X	
10	R134584	GUIDE	1		X	
11	51M7045	O-RING	1		X	19.300 X 2.200 MM
12	R116115	FITTING	1		X	
13	R104814	SPRING	1		X	
14	R44394	NEEDLE ROLLER	1		X	
15	R116115	FITTING	1		X	
16	51M7045	O-RING	1		X	19.300 X 2.200 MM
17	R33259	O-RING	1		X	
18	R108492	VALVE	1		X	
19	D2361R	BALL	2		X	
20	R108502	SPRING	1		X	
21	51M7043	O-RING	2		X	15.300 X 2.200 MM
22	RE63751	PLUG	2		X	
23	R116115	FITTING	1		X	
24	R134583	SPRING	1		X (A)	
25	R134581	SPRING	1		X (B)	
26	R108501	SPRING	1		X	
27	51M7045	O-RING	1		X	19.300 X 2.200 MM
28	R125064	PIPE PLUG	1		X	
29	RE173964	VALVE SPOOL	1		X	
30	R42849	BALL	1		X	
31	34H54	SPRING PIN	1		X	5/32" X 5/8"
32	R104814	SPRING	1		X	
33	R33259	O-RING	1		X	

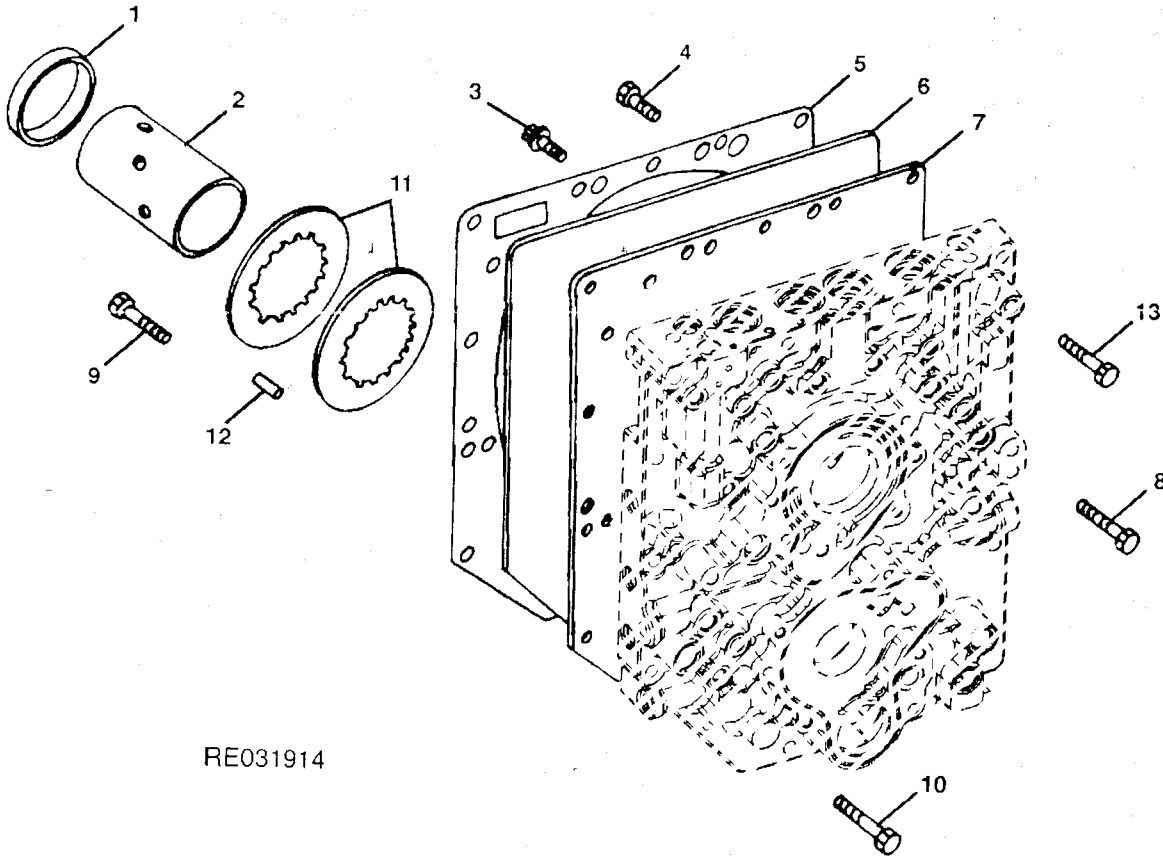
(A) OUTER  
EXTERNE  
AUSSEN  
ESTERNO  
EXTERIOR  
YTTRE

(B) INNER  
INTERNE  
INNEN  
INTERNO  
INTERIOR  
INRE



MANIFOLD COVER  
COUVRE-COLLECTEUR  
KRUEMMERDECKEL  
COPERCHIO DEL COLLETORE  
CUBIERTA DEL MULTIPLE  
GRENROERSKAAPA

RE031914 -UN-16JUN00



RE031914

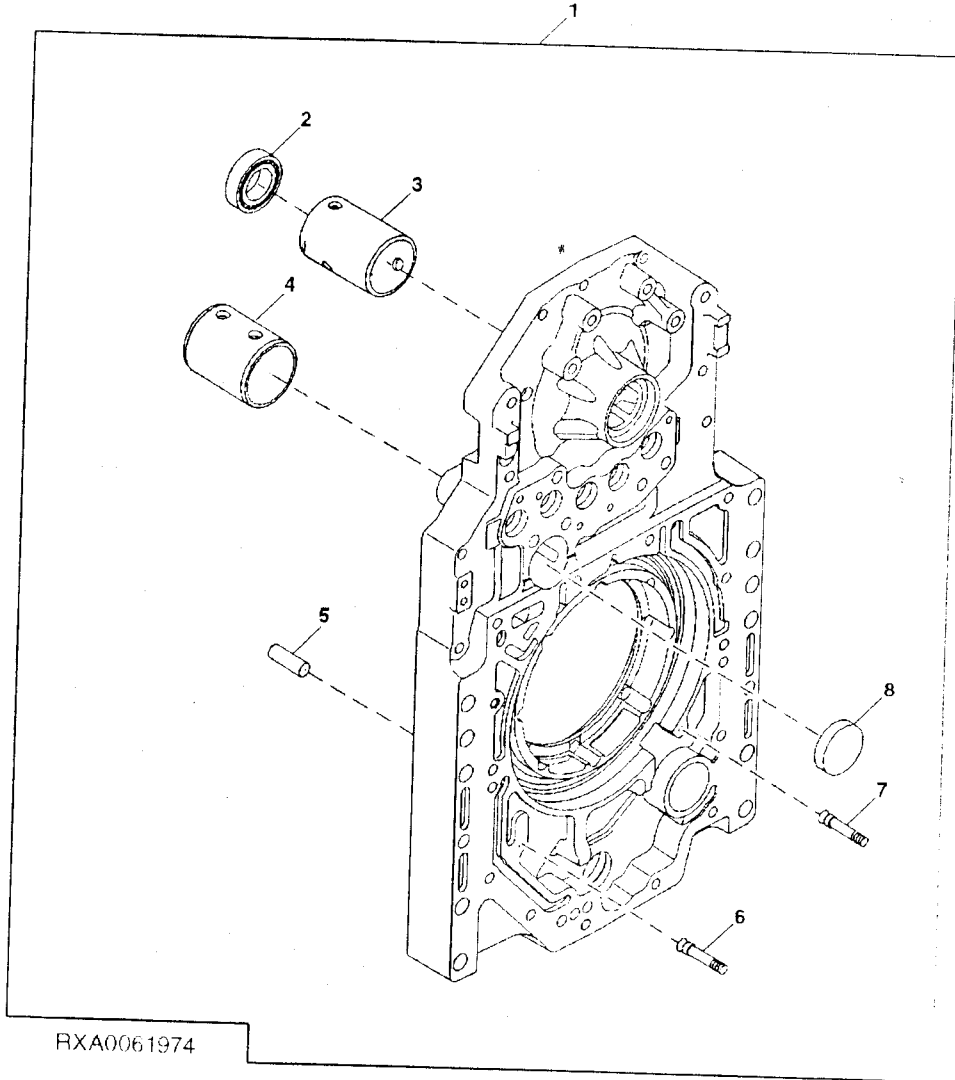
# 51-15

POWER SHIFT TRANSMISSION

KEY	PART NO	PART NAME	QTY	TRANSMISSION SERIAL NO.	A	REMARKS
					L	
1	R108547	BEARING CUP	1		X	
2	R108576	SLEEVE	1		X	
3	19M7786	SCREW	11		X	M10 X 30, HS 10.9
4	19M7807	SCREW	2		X	M10 X 60, HS 10.9
5	R191851	GASKET	1		X	
6	R174907	END PLATE	1		X	
7	R191852	GASKET	1		X	
8	19M7820	SCREW	4		X	M12 X 100, HS 10.9
9	R125379	SELF-LOCKING SCREW	4		X	M10 X 45.5, HS 10.9
10	19M8737	SCREW	5		X	M12 X 140, HS 10.9
11	R105833	DISK SPRING	2		X	
12	T26565	DOWEL PIN	2		X	
13	19M7817	SCREW	5		X	M12 X 70, HS 10.9

TRANSMISSION REAR COVER KIT  
KIT DE PROTECTION ARRIERE DE TRANSMISSION  
SATZ FUER HINTERE GETRIEBEABDECKUNG  
KIT COPERCHIO POSTERIORE TRASMISSIONE  
JUEGO DE CUBIERTA TRASERA DE TRANSMISION  
SATS MED TRANSMISSIONENS BAKRE KAAPA

RXA0061974 -UN-12AUG02

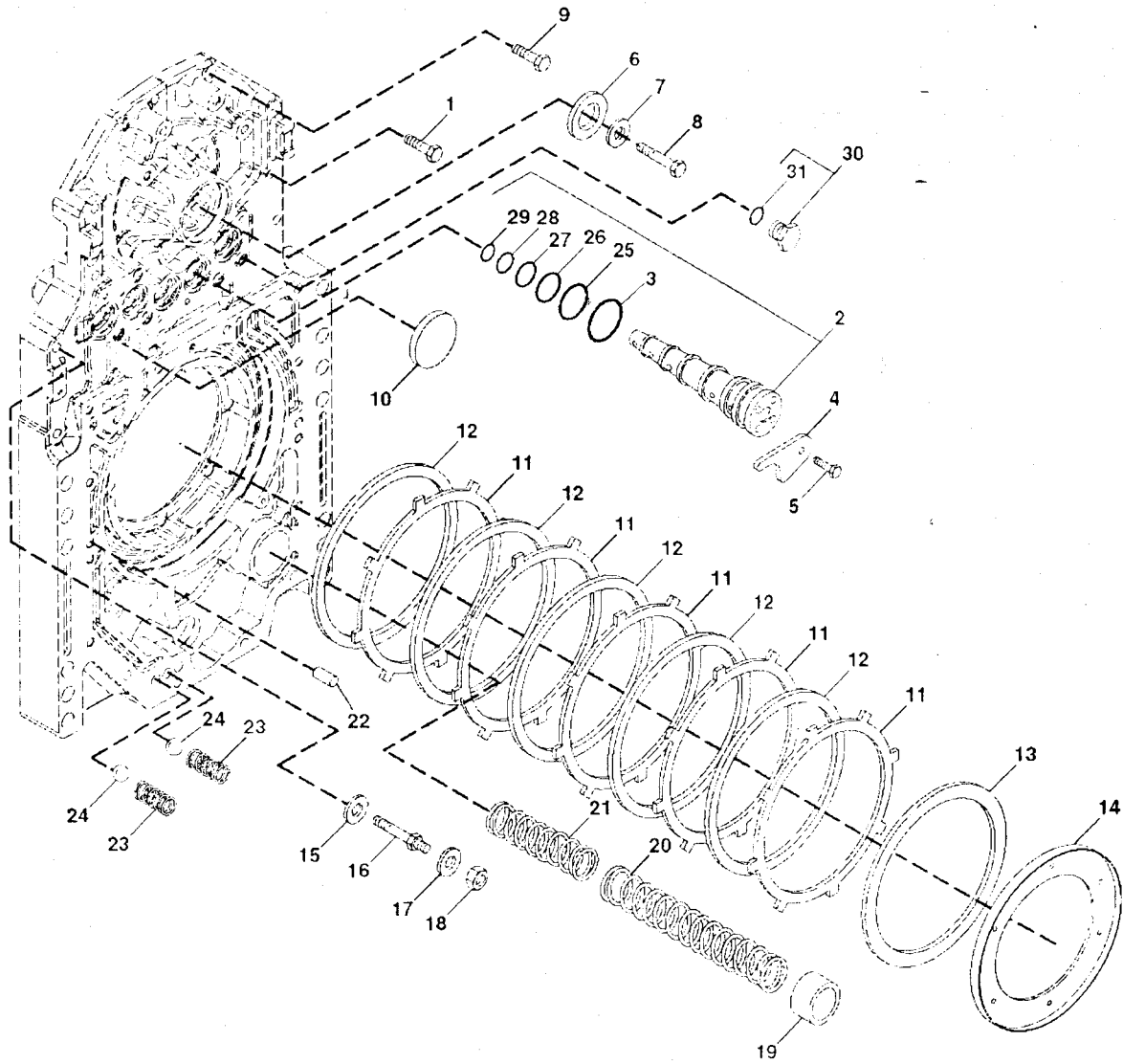


KEY	PART NO.	PART NAME	QTY.	TRACTOR SERIAL NO.	A L L	REMARKS
1	RE203783	KIT	1		X	(MARKED R163964)
2	RE191665	BALL BEARING	1		X	
3	R108582	SLEEVE	1		X	
4	R108583	SLEEVE	1		X	
5	34M7124	SPRING PIN	8		X	8 X 30 MM
6	AT107509	PLUG	1		X	(A)
7	AT107509	PLUG	1		X	
8	R26115	PLUG	1		X	

(A) INDEPENDENT LINK SUSPENSION  
 SUSPENSION A BRAS INDEPENDANTS  
 EINZELRADAUFHAENGUNG  
 SOSPENSIONE AD ARTICOLAZIONE INDIPENDENTE  
 SUSPENSION DE BRAZO INDEPENDIENTE  
 SEPARAT LAENKUPPHAENGNING

TRANSMISSION CASE REAR COVER  
COUVERCLE ARRIERE DE CARTER DE TRANSMISSION  
HINTERE ABDECKUNG DES GETRIEBEGEHAUSES  
COPERCHIO POSTERIORE DELLA SCATOLA DELLA TRASMISSIONE  
CUBIERTA POSTERIOR DE LA CAJA DE LA TRANSMISION  
TRANSMISSIONSKAAPANS BAKRE PLAAT

RXA0083132 -UN-05AUG05



RXA0083132

KEY	PART NO.	PART NAME	QTY.	TRANSMISSION SERIAL NO.	A L L	REMARKS
1	19M7817	SCREW	6		X	M12 X 70, HS 10.9
2	RE177538	VALVE	5		X	
3	U41966	O-RING	5		X	
4	R95045	CLAMP	5		X	
5	19M7932	CAP SCREW	5		X	M8 X 16, HS 10.9
6	AH89023	SEAL	1		X	
7	24H1900	WASHER	1		X	17/32" X 2" X 1/4"
8	19M7791	BOLT	1		X	M12 X 40, HS 10.9
9	19M7813	SCREW	3		X	M12 X 45, HS 10.9
10	R26115	PLUG	1		X	
11	R108481	PLATE	5		X	
12	RE155958	DISK WITH INNER SPLINE	5		X	
13	RE45388	PISTON	1		X	
14	R108482	PLATE	1		X	
15	24M7028	WASHER	1		X	10.500 X 20 X 2 MM
16	R120578	STUD	1		X	
17	24M7240	WASHER	1		X	13 X 25 X 3 MM
18	14M7274	NUT	1		X	M10
19	R124175	PISTON	1		X	
20	R124173	SPRING	1		X (B)	
21	R124174	COMPRESSION SPRING	1		X (A)	
22	T26565	DOWEL PIN	2	*	X	
23	R128397	SPRING	2		X	
24	D2361R	BALL	2		X	
25	R106663	O-RING	5		X	
26	T143166	O-RING	5		X	
27	R62070	RING	5		X	
28	R27928	O-RING	5		X	
29	P42061	O-RING	5		X	
30	RE46684	PLUG	5		X	
31	51M7041	O-RING	5		X	11.300 X 2.200 MM

(A) OUTER  
EXTERNE  
AUSSEN  
ESTERNO  
EXTERIOR  
YTTRE

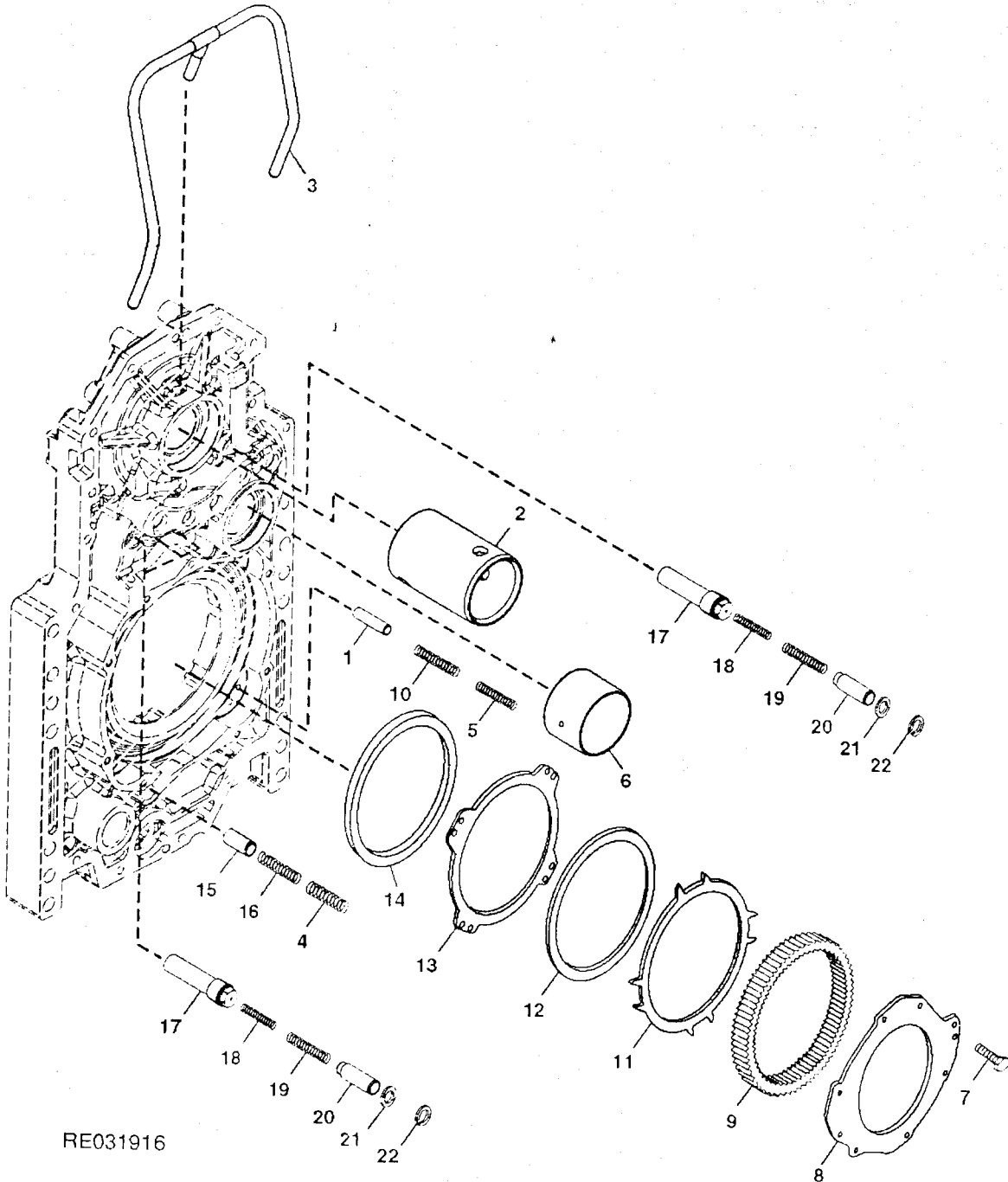
(B) INNER  
INTERNE  
INNEN  
INTERNO  
INTERIOR  
INRE

# 51-20

POWER SHIFT TRANSMISSION

TRANSMISSION CASE REAR COVER  
COUVERCLE ARRIERE DE CARTER DE TRANSMISSION  
HINTERE ABDECKUNG DES GETRIEBEGEHAUES  
COPERCHIO POSTERIORE DELLA SCATOLA DELLA TRASMISSIONE  
CUBIERTA POSTERIOR DE LA CAJA DE LA TRANSMISION  
TRANSMISSIONSKAAPANS BAKRE PLAAT

RE031916 UN-22JUN01



RE031916

KEY	PART NO.	PART NAME	QTY.	TRANSMISSION SERIAL NO.	A L L	REMARKS
1	34M7124	SPRING PIN	8		X	8 X 30 MM
2	R108582	SLEEVE	1		X	
3	RE70389	OIL LINE	1		X	
4	R155923	SPRING	1		X	(A)
5	R134391	SPRING	8		X	
6	R108583	SLEEVE	1		X	
7	R124725	SELF-LOCKING SCREW	8		X	M10 X 25, HS 10.9
8	R155934	PLATE	1		X	
9	R163056	GEAR	1		X	
10	R134390	SPRING	8		X	
11	R86308	PLATE	3		X	
12	RE238864	DISK	4		X	
13	R135537	BRAKE DISK	1		X	
14	RE45388	PISTON	1		X	(C)
15	R156586	VALVE	1		X	
16	R155924	SPRING	1		X	(B)
17	R159058	VALVE	4		X	
18	R156765	SPRING	4		X	
19	R155964	SPRING	4		X	
20	R155963	VALVE	4		X	
21	R48517	WASHER	4		X	
22	R48523	SNAP RING	4		X	

(A) OUTER  
EXTERNE  
AUSSEN  
ESTERNO  
EXTERIOR  
YTTRE

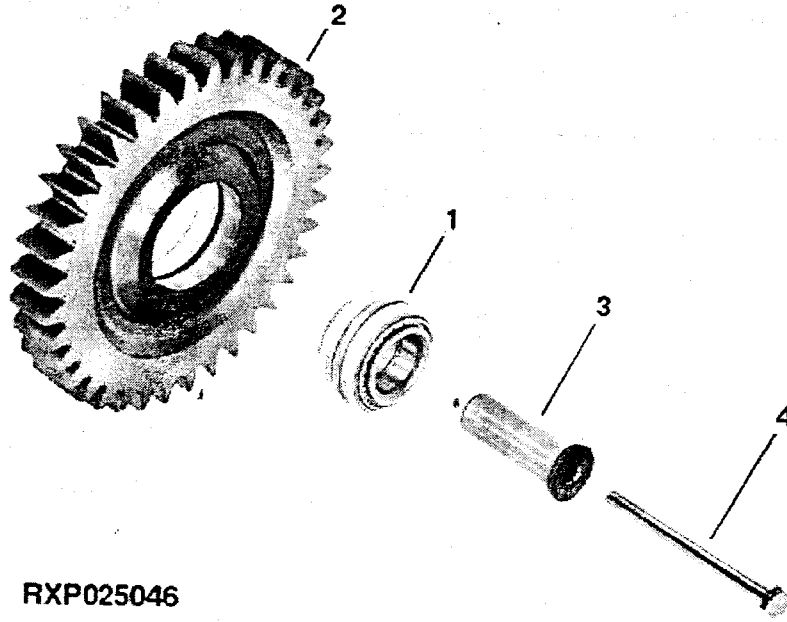
(B) INNER  
INTERNE  
INNEN  
INTERNO  
INTERIOR  
INRE

(C) W/SEAL  
W/JOINT  
W/DICHTUNG  
W/GUARNIZIONE  
W/SELLO  
W/TAETNING



REVERSE IDLER  
 PIGNON FOU DE MARCHE ARRIERE  
 ZWISCHENRAD DES RUECKWAERTSGANGES  
 INGRANAGGIO INTERMEDIO DI RETROMARCIA  
 ENGRANAJE INTERMEDIO DE RETROCESO  
 BACKDREV

RXP025046 -UN-01JAN94



RXP025046

KEY	PART NO.	PART NAME	QTY.	TRANSMISSION SERIAL NO.	A L L	REMARKS
1	AH94661	BEARING	1		X	
2	R108454	GEAR	1		X	
3	R108455	SHAFT	1		X	
4	19M7838	SCREW	1		X	M12 X 130, HS 10.9

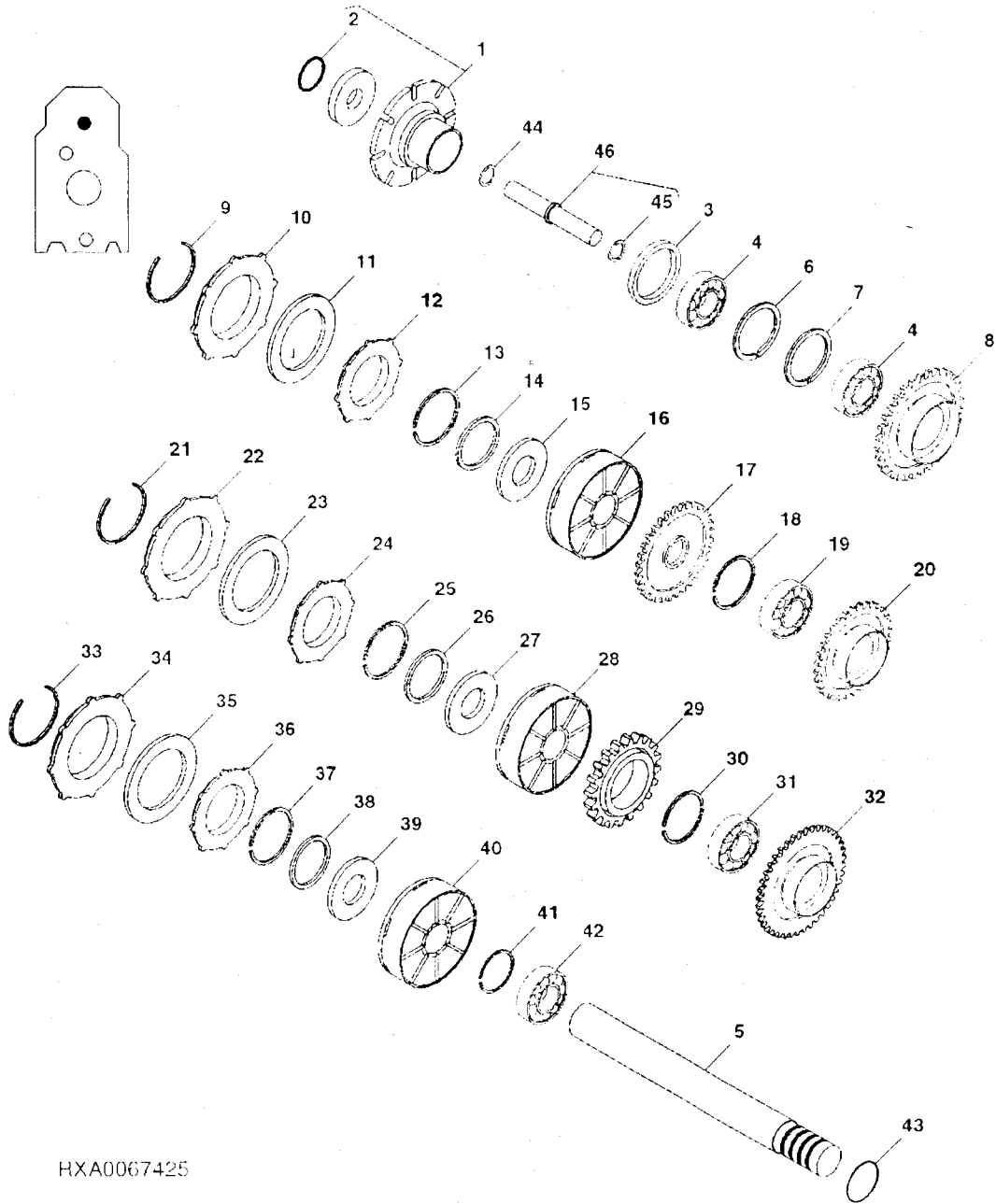
MEMORANDA  
MEMORANDA  
MEMORANDA  
MEMORANDA  
MEMORANDA

# 51-24

POWER SHIFT TRANSMISSION

INPUT SHAFT  
ARBRE PRIMAIRE  
EINGANGSWELLE  
ALBERO DI INGRESSO  
EJE DE ENTRADA  
INGAAENDE AXEL

RXA0067425 -UN-29MAY03



HXA0067425

THIS PARTS LISTING IS CONTINUED

# 51-25

POWER SHIFT TRANSMISSION

KEY	PART NO.	PART NAME	QTY.	TRANSMISSION SERIAL NO.	A L L	REMARKS
1	RE237390	HUB	1		X	
2	R132237	O-RING	1		X	
3	RE158066	SEAL	1		X	
4	RE191665	BALL BEARING	2		X	
5	RE70088	SHAFT	1		X	
6	R196555	SNAP RING	2		X	
7	R108496	SNAP RING	1		X	
8	R191848	GEAR	1		X	
9	R99692	SNAP RING	1		X	
10	R163995	CLUTCH PLATE	1		X	
11	RE67458	DISK WITH INNER SPLINE	5		X	
12	R163994	CLUTCH PLATE	5		X	
13	R135096	SNAP RING	1		X	
14	R133095	DISK SPRING	7		X	
15	RE162149	PISTON	1		X (A)	
16	R163993	DRUM	1		X	
17	R191849	GEAR	1		X	
18	R108496	SNAP RING	1		X	
19	RE191665	BALL BEARING	1		X	
20	R162782	GEAR	1		X	
21	R99692	SNAP RING	1		X	
22	R163995	CLUTCH PLATE	1		X	
23	RE67458	DISK WITH INNER SPLINE	5		X	
24	R163994	CLUTCH PLATE	5		X	
25	R135096	SNAP RING	1		X	
26	R133095	DISK SPRING	7		X	
27	RE162149	PISTON	1		X (A)	
28	R163993	DRUM	1		X	
29	R108584	GEAR	1		X	
30	R108496	SNAP RING	1		X	
31	RE191665	BALL BEARING	1		X	
32	R152164	GEAR	1		X	
33	R99692	SNAP RING	1		X	
34	R163995	CLUTCH PLATE	1		X	
35	RE67458	DISK WITH INNER SPLINE	5		X	
36	R163994	CLUTCH PLATE	5		X	
37	R135096	SNAP RING	1		X	
38	R133095	DISK SPRING	7		X	
39	RE162149	PISTON	1		X (A)	
40	R163993	DRUM	1		X	
41	R196555	SNAP RING	1		X	
42	RE191665	BALL BEARING	1		X	
43	R204520	RING	5		X	
44	F3353R	O-RING	1		X	
45	R132239	O-RING	1		X	
46	RE71323	BREATHER	1		X	

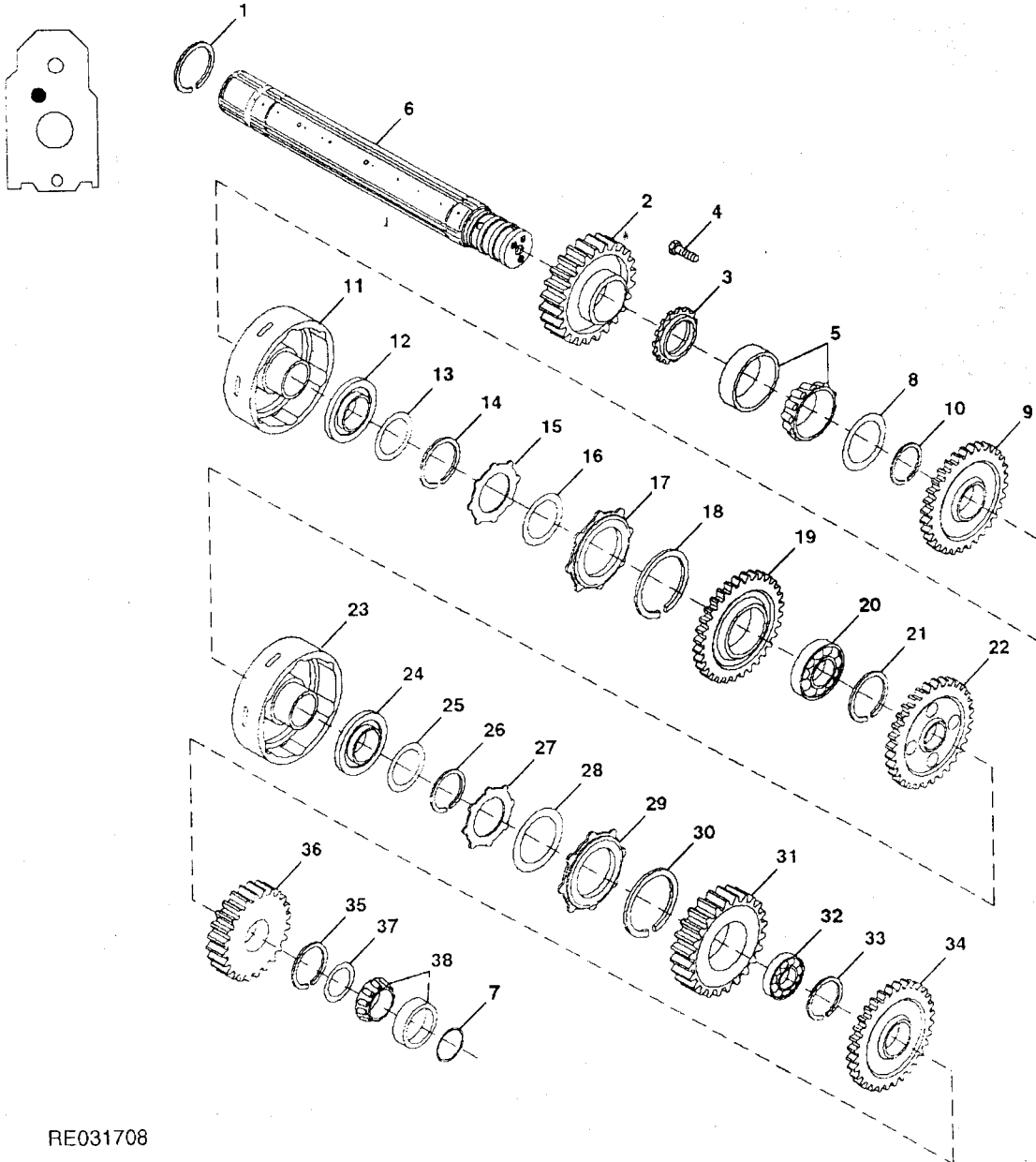
(A) W/SEAL  
W/JOINT  
W/DICHTUNG  
W/GUARNIZIONE  
W/SELLO  
W/TAETNING

# 51-26

POWER SHIFT TRANSMISSION

UNTERSCHAFT  
ARBRE DE RENVOI  
EINGEWELLE  
INSTRALBERO  
INTRAJEJE  
EILLANAXEL

031708 -UN-12OCT00



RE031708

THIS PARTS LISTING IS CONTINUED

8130, 8230, 8330, 8430, 8530 TRACTORS PC9451 (06-OCT-05)  
PN=370

# 51-27

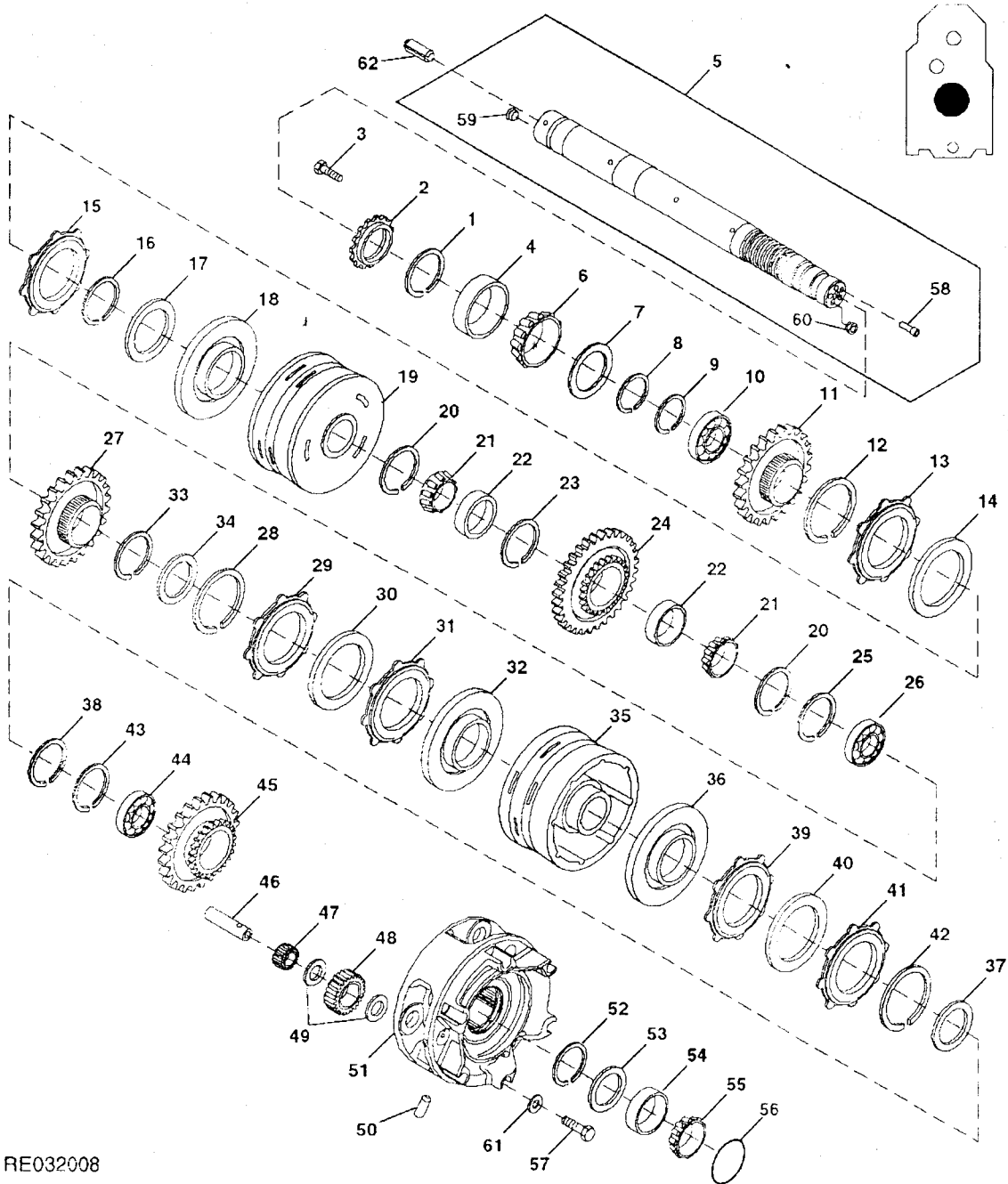
POWER SHIFT TRANSMISSION

KEY	PART NO.	PART NAME	QTY.	TRANSMISSION SERIAL NO.	A		REMARKS
					L	L	
1	R196555	SNAP RING	1		X		
2	R200569	GEAR	1		X		
3	R163977	NUT	1		X		
4	R91842	SCREW	1		X		M10 X 10, HS 12.9
5	RE203754	TAPERED ROLLER BEARING	1		X		
6	RE203730	COUNTERSHAFT	1		X		
7	R204520	RING	4		X		
8	R197380	THRUST WASHER	1		X		
9	R203438	SPUR GEAR	1		X		
10	R196555	SNAP RING	1		X		
11	R163993	DRUM	1		X		
12	RE162149	PISTON	1		X	(A)	
13	R133095	DISK SPRING	7		X		
14	R135096	SNAP RING	1		X		
15	R163994	CLUTCH PLATE	5		X		
16	RE67458	DISK WITH INNER SPLINE	5		X		
17	R163995	CLUTCH PLATE	1		X		
18	R99692	SNAP RING	1		X		
19	R191848	GEAR	1		X		
20	RE191665	BALL BEARING	1		X		
21	R108496	SNAP RING	1		X		
22	R162781	GEAR	1		X		
23	R163993	DRUM	1		X		
24	RE162149	PISTON	1	*	X	(A)	
25	R133095	DISK SPRING	7		X		
26	R135096	SNAP RING	1		X		
27	R163994	CLUTCH PLATE	5		X		
28	RE67458	DISK WITH INNER SPLINE	5		X		
29	R163995	CLUTCH PLATE	1		X		
30	R99692	SNAP RING	1		X		
31	R132246	GEAR	1		X		
32	RE191665	BALL BEARING	1		X		
33	R108496	SNAP RING	1		X		
34	R152163	GEAR	1		X		
35	R196555	SNAP RING	1		X		
36	R203444	SPUR GEAR	1		X		
37	R197380	THRUST WASHER	1		X		
38	RE203754	TAPERED ROLLER BEARING	1		X		

(A) W/SEAL  
W/JOINT  
W/DICHTUNG  
W/GUARNIZIONE  
W/SELLO  
W/TAETNING

TRANSMISSION OUTPUT SHAFT  
ARBRE DE SORTIE DE TRANSMISSION  
GETRIEBEABTRIEBSWELLE  
ALBERO DI USCITA DELLA TRASMISSIONE  
EJE DE SALIDA DE LA TRANSMISION  
TRANSMISSIONENS UTGAAENDE AXEL

RE032008 -UN-18DEC00



RE032008

THIS PARTS LISTING IS CONTINUED

# 51-29

POWER SHIFT TRANSMISSION

KEY	PART NO.	PART NAME	QTY.	TRANSMISSION SERIAL NO.	A L L	REMARKS
1	R114345	SNAP RING	1		X	
2	R128775	NUT	1		X	
3	R91842	SCREW	1		X	M10 X 10, HS 12.9
4	R108547	BEARING CUP	1		X	
5	RE244891	SHAFT	1		X	
6	R108546	BEARING CONE	1		X	
7	R115331	THRUST WASHER	1		X	
8	R114345	SNAP RING	1		X	
9	R108496	SNAP RING	1		X	
10	RE67949	BALL BEARING	1		X	
11	R200571	GEAR	1		X (A)	
12	R108512	SNAP RING	1		X	
13	R185975	CLUTCH PLATE	1		X	
14	RE67457	CLUTCH DISK	7		X	
15	R108509	CLUTCH PLATE	7		X	
16	R135364	SNAP RING	1		X	
17	R134075	DISK SPRING	7		X	
18	RE225759	PISTON	1		X (A) (D)	
19	R162064	DRUM	1		X (A)	
20	R114345	SNAP RING	2		X	
21	R108546	BEARING CONE	2		X	
22	R108547	BEARING CUP	2		X	
23	R108528	SNAP RING	1		X	
24	R217720	GEAR	1		X	
25	R108496	SNAP RING	1		X	
26	RE67949	BALL BEARING	1		X	
27	R155981	GEAR	1		X (C)	
28	R108512	SNAP RING	1		X	
29	R185975	CLUTCH PLATE	1		X	
30	RE67457	CLUTCH DISK	3		X	
31	R108509	CLUTCH PLATE	3		X	

(A) B-RANGE  
B-RANGE  
B-RANGE  
B-RANGE  
B-RANGE  
B-RANGE

(C) D-RANGE  
D-RANGE  
D-RANGE  
D-RANGE  
D-RANGE  
D-RANGE

(D) W/SEAL - 3 GROOVES  
W/JOINT - 3 RAINURES  
W/DICHTUNG - 3 RILLEN  
W/GUARNIZIONE - 3 SCANALATURE  
W/SELLO - 3 RANURAS  
W/TAETNING - 3 SKAAROR

THIS PARTS LISTING IS CONTINUED

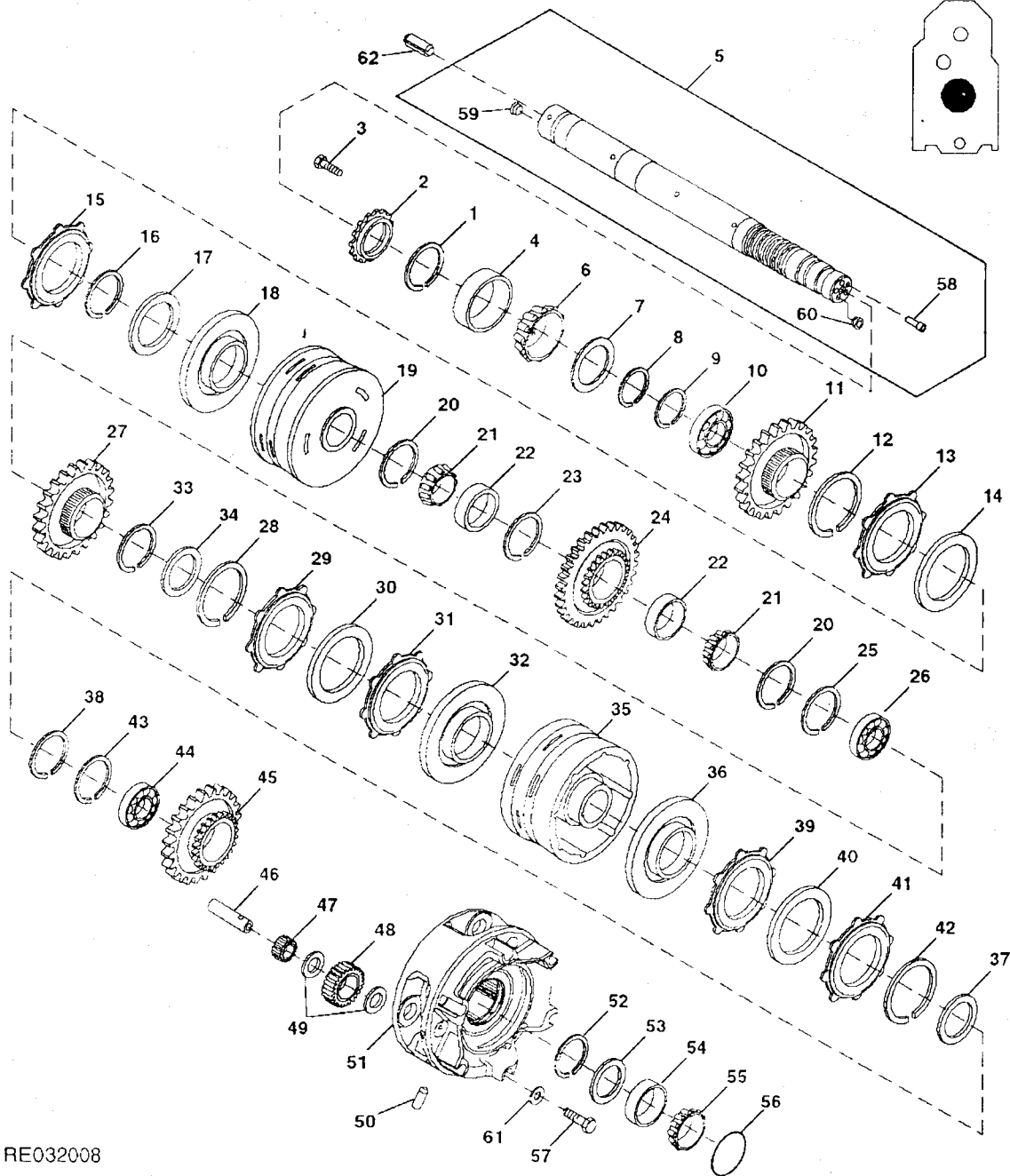


# 51-30

POWER SHIFT TRANSMISSION

TRANSMISSION OUTPUT SHAFT-CONTINUED  
ARBRE DE SORTIE DE TRANSMISSION- A SUIVRE  
GETRIEBEABTRIEBSWELLE-FORTE.  
ALBERO DI USCITA DELLA TRASMISSIONE-CONTINUA  
EJE DE SALIDA DE LA TRANSMISION-CONTINACION  
TRANSMISSIONENS UTGAAENDE AXEL-FORTE.

RE032008 -UN-18DEC00



RE032008

THIS PARTS LISTING IS CONTINUED

KEY	PART NO.	PART NAME	QTY.	TRANSMISSION SERIAL NO.	A		REMARKS
					L	L	
32	RE225759	PISTON	1				
33	R135364	SNAP RING	1		X	(C)	
34	R134075	DISK SPRING	1		X		
35	R162065	DRUM	5		X		
36	RE225759	PISTON	1		X	(B) (C)	
37	R134075	DISK SPRING	1		X	(B) (D)	
38	R135364	SNAP RING	7		X		
39	R108510	CLUTCH PLATE	1		X		
40	RE67457	CLUTCH DISK	7		X		
41	R185975	CLUTCH PLATE	7		X		
42	R108512	SNAP RING	1		X		
43	R108496	SNAP RING	1		X		
44	RE67949	BALL BEARING	1		X		
45	R163055	GEAR	1		X		
46	R163959	PIN	1		X	(B) Z=68	
47	RE190289	NEEDLE BEARING	3		X		
48	R163057	GEAR	6		X		
49	AR253237	THRUST WASHER	3		X		
50	R122374	PIN	6		X		
51	R163941	PLANET PINION CARRIER	3		X		
52	R114345	SNAP RING	1		X		
53	R115331	THRUST WASHER	1		X		
54	R108547	BEARING CUP	1	*	X		
55	R108546	BEARING CONE	1		X		
56	R204521	RING	1		X		
57	R122390	SELF-LOCKING SCREW	6		X		
58	RE168481	VALVE	3		X		
59	R121580	PIPE PLUG	3		X		
60	R121580	PIPE PLUG	3		X		
61	R112513	WASHER	1		X		
62	N137598	SPRING PIN	3		X		
			1		X		

(B) C-RANGE  
 GAMME C  
 C GRUPPE  
 GAMMA C  
 GAMA C  
 GRUPP C

(C) D-RANGE  
 GAMME D  
 D GRUPPE  
 GAMMA D  
 GAMA D  
 GRUPP D

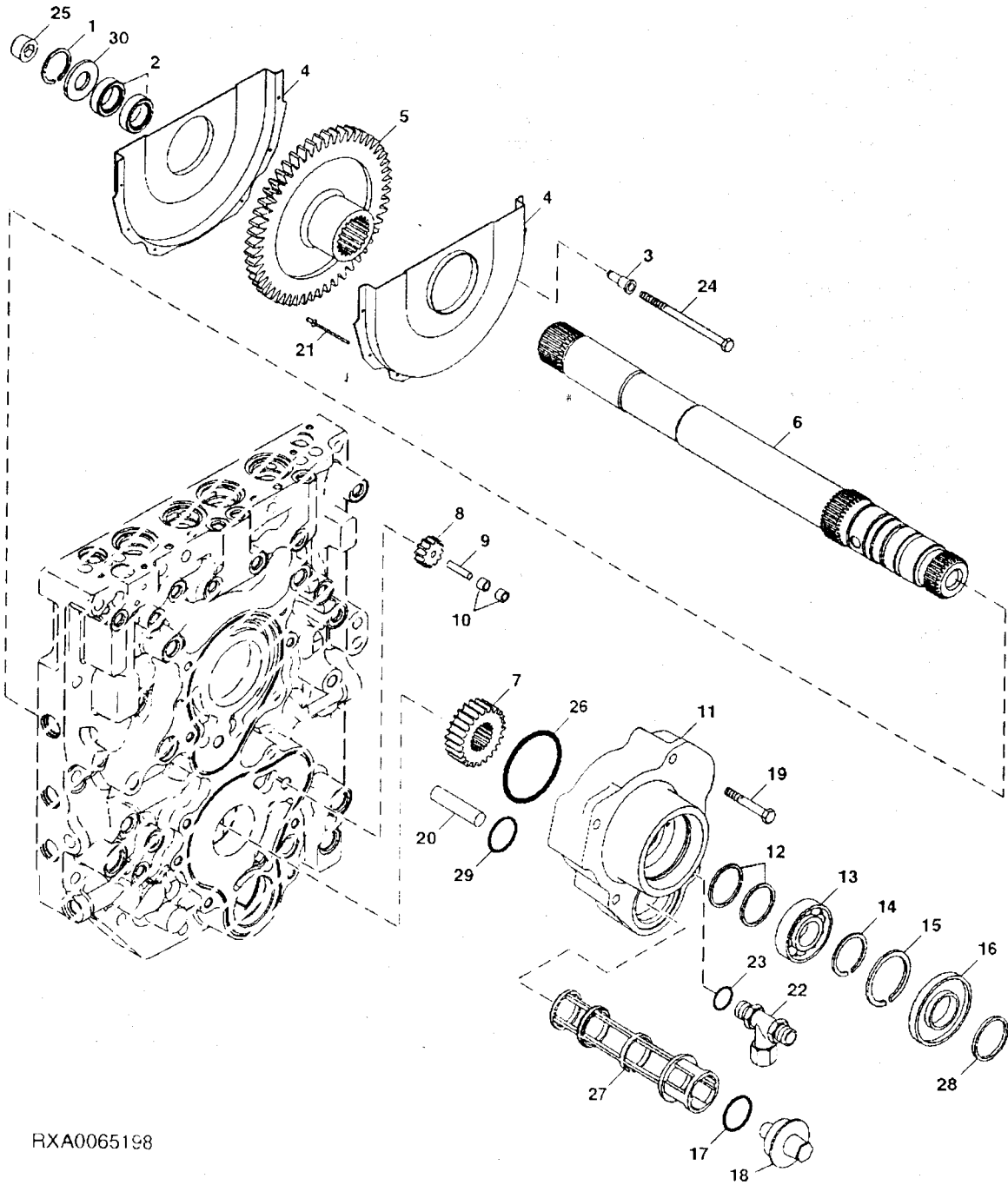
(D) W/SEAL - 3 GROOVES  
 W/JOINT - 3 RAINURES  
 W/DICHTUNG - 3 RILLEN  
 W/GUARNIZIONE - 3 SCANALATURE  
 W/SELLO - 3 RANURAS  
 W/TAETNING - 3 SKAAROR

# 51-32

POWER SHIFT TRANSMISSION

PTO SHAFT  
ARBRE DE PDF  
ZAPFWELLENSCHAFT  
ALBERO DELLA PTO  
EJE DE TDF  
KRAFTUTTAGSAXEL

RXA0065198 -UN-30JAN03



RXA0065198

THIS PARTS LISTING IS CONTINUED

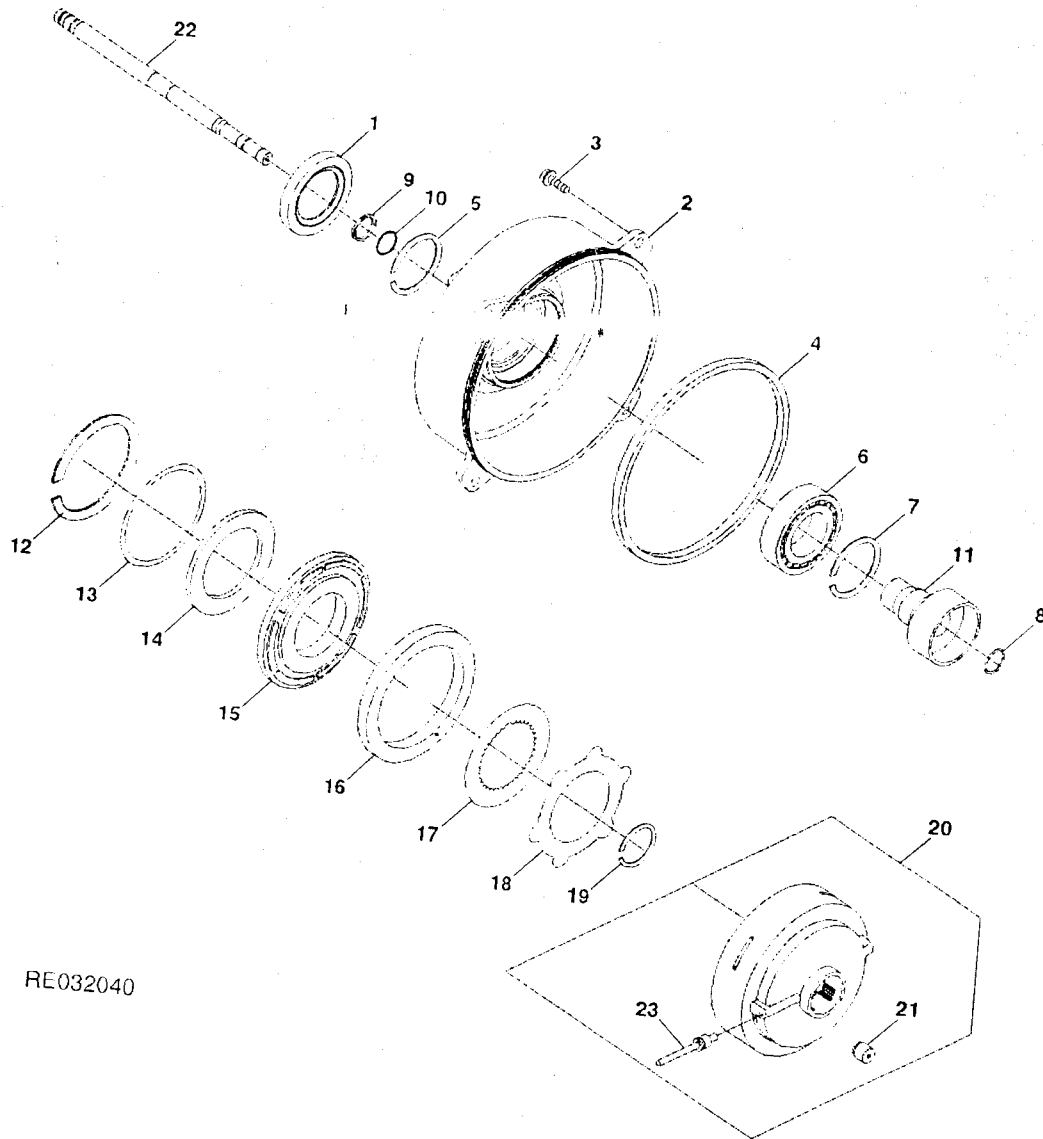
8130, 8230, 8330, 8430, 8530 TRACTORS PC9451 (06-OCT-05)  
PN=376

# 51-33

POWER SHIFT TRANSMISSION

KEY	PART NO	PART NAME	QTY	TRANSMISSION SERIAL NO.	A		REMARKS
					L	L	
1	R184802	SNAP RING	1		X		
2	RE167922	CYLINDRICAL ROLLER BEARING	1		X		
3	R190989	SHAFT	1		X		
4	R108531	PTO POWR-GARD TM SHIELD	2		X		
5	R217721	GEAR	1		X		
6	R202774	SHAFT	1		X		
7	R174700	GEAR	1		X		
8	R174701	GEAR	1		X	(SUB AR253244)	
9	R115233	SHAFT	1		X		
10	JD10116	NEEDLE BEARING	2		X		
11	R174698	HOUSING	1		X		
12	R204520	RING	2		X		
13	JD8568	BALL BEARING	1		X		
14	R28640	SNAP RING	1		X		
15	40M7115	SNAP RING	1		X		
16	RE151144	SEAL	1		X		
17	H63262	O-RING	1		X		
18	R173045	DRAIN PLUG	1		X		
19	19M7809	SCREW	4		X	M10 X 70, HS 10.9	
20	R28671	DOWEL PIN	2		X		
21	H86981	RIVET	6		X		
22	38H5140	TEE FITTING	1		X		
23	51M7047	O-RING	1		X	23.600 X 2.900 MM	
24	RE47959	SCREW	1		X	M12 X 225, HS 10.9	
25	R125064	PIPE PLUG	1		X		
26	N153493	O-RING	1		X		
27	RE243742	SCREEN	1		X	196.520 X 2.616 MM	
28	T121280	SEAL	1		X		
29	F3171R	O-RING	1		X		
30	R192369	THRUST WASHER	1		X		

MFWD CLUTCH  
EMBAYAGE DE TAM  
MF-KUPPLUNG  
FRIZIONE DELLA MFWD  
EMBRAGUE DE TDM  
MFHD-KOPPLING  
RE032040 -UN-10MAY01



RE032040

THIS PARTS LISTING IS CONTINUED

8130, 8230, 8330, 8430, 8530 TRACTORS PC9451 (06-OCT-05)  
PN=378

# 51-35

POWER SHIFT TRANSMISSION

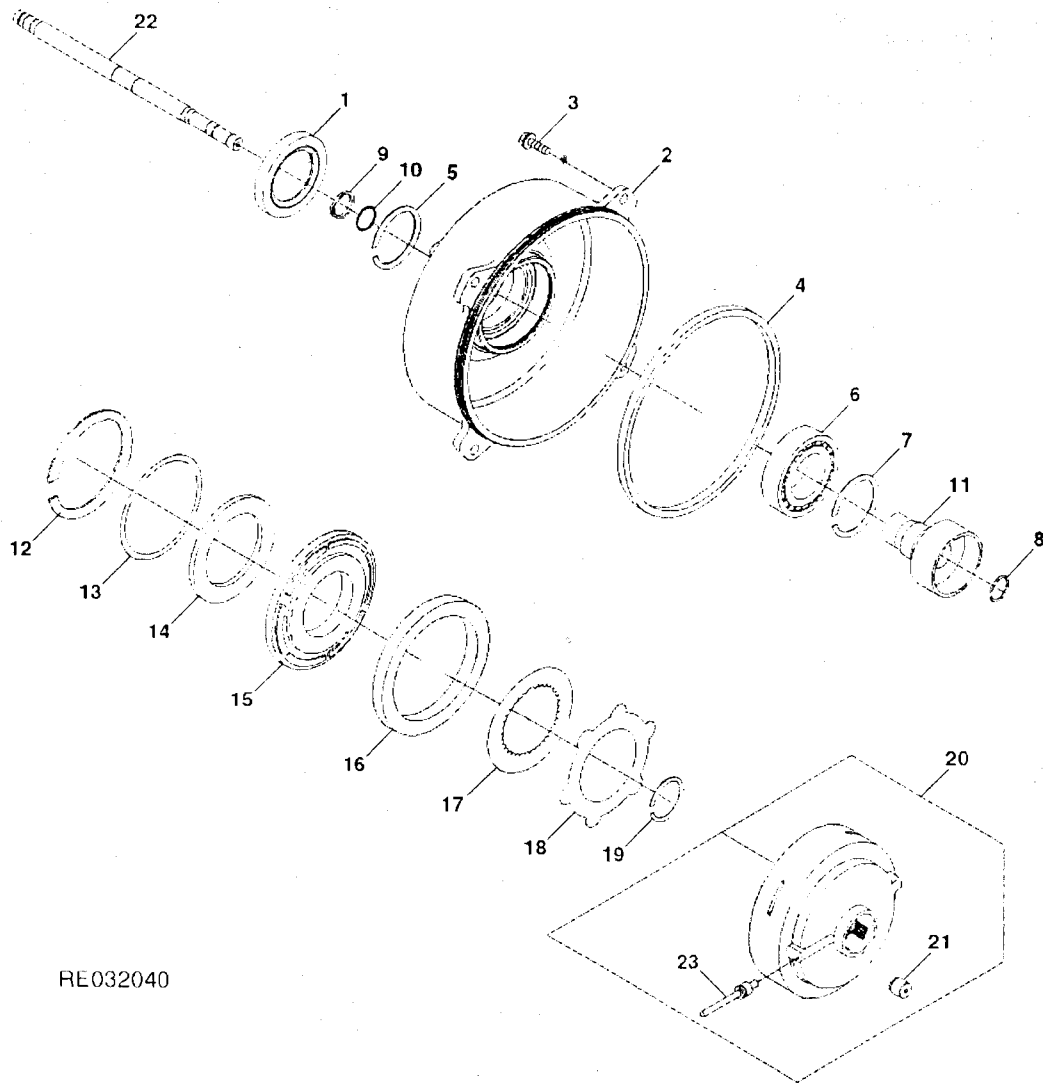
KEY	PART NO	PART NAME	QTY.	TRANSMISSION	REMARKS
				SERIAL NO.	
				8 8 8	
				1 2 3	
				3 3 3	
				0 0 0	
1	AH89023	SEAL	1		X X X
2	R190760	COVER	1		X X X
3	19M7789	SCREW	4		X X X M12 X 30, HS 10.9
4	T39741	RING	1		X X X
5	T44824	SNAP RING	1		X X X
6	RE191665	BALL BEARING	1		X X X
7	R108496	SNAP RING	1		X X X
8	L1610N	SNAP RING	1		X X X
9	R124576	SNAP RING	1		X X X
10	U10289	O-RING	1		X X X
11	R108519	HUB	1		X X X
12	R108526	SNAP RING	1		X X X
13	R108533	ROUND RETAINER	1		X X X
14	R155951	DISK SPRING	1		X X X
15	R155952	PLATE	1		X X X
16	RE173579	SEAL	1		X X X
17	RE67458	DISK WITH INNER SPLINE	6		X X X
18	R108507	CLUTCH PLATE	6		X X X
19	R114345	SNAP RING	1		X X X
20	RE181887	DRUM	1		X X X (MARKED R155922)
21	RE45393	VALVE SEAT	1		X X X
22	R130895	SHAFT	1		X X X
23	AT107509	PLUG	1		X X X

# 51-36

POWER SHIFT TRANSMISSION

MFWD CLUTCH  
EMBAYAGE DE TAM  
MF-KUPPLUNG  
FRIZIONE DELLA MFWD  
EMBRAGUE DE TDM  
MFHD-KOPPLING

RE032040 -UN-10MAY01



RE032040

THIS PARTS LISTING IS CONTINUED

# 51-37

POWER SHIFT TRANSMISSION

KEY	PART NO.	PART NAME	QTY.	TRANSMISSION		REMARKS
				SERIAL NO.		
					8	
					4	
					3	
					0	
1	AH89023	SEAL	1		X	
2	R190760	COVER	1		X	
3	19M7789	SCREW	4		X	M12 X 30, HS 10.9
4	T39741	RING	1		X	
5	T44824	SNAP RING	1		X	
6	RE191665	BALL BEARING	1		X	
7	R108496	SNAP RING	1		X	
8	L1610N	SNAP RING	1		X	
9	R124576	SNAP RING	1		X	
10	U10289	O-RING	1		X	
11	R108519	HUB	1		X	
12	R108526	SNAP RING	1		X	
13	R108533	ROUND RETAINER	1		X	
14	R155951	DISK SPRING	1		X	
15	R155952	PLATE	1		X	
16	RE173579	SEAL	1		X	
17	RE67458	DISK WITH INNER SPLINE	6		X	
18	R108507	CLUTCH PLATE	6		X	
19	R114345	SNAP RING	1		X	
20	RE181887	DRUM	1		X	(MARKED R155922)
21	RE45393	VALVE SEAT	1		X	
22	R130895	SHAFT	1		X	
23	AT107509	PLUG	1		X	

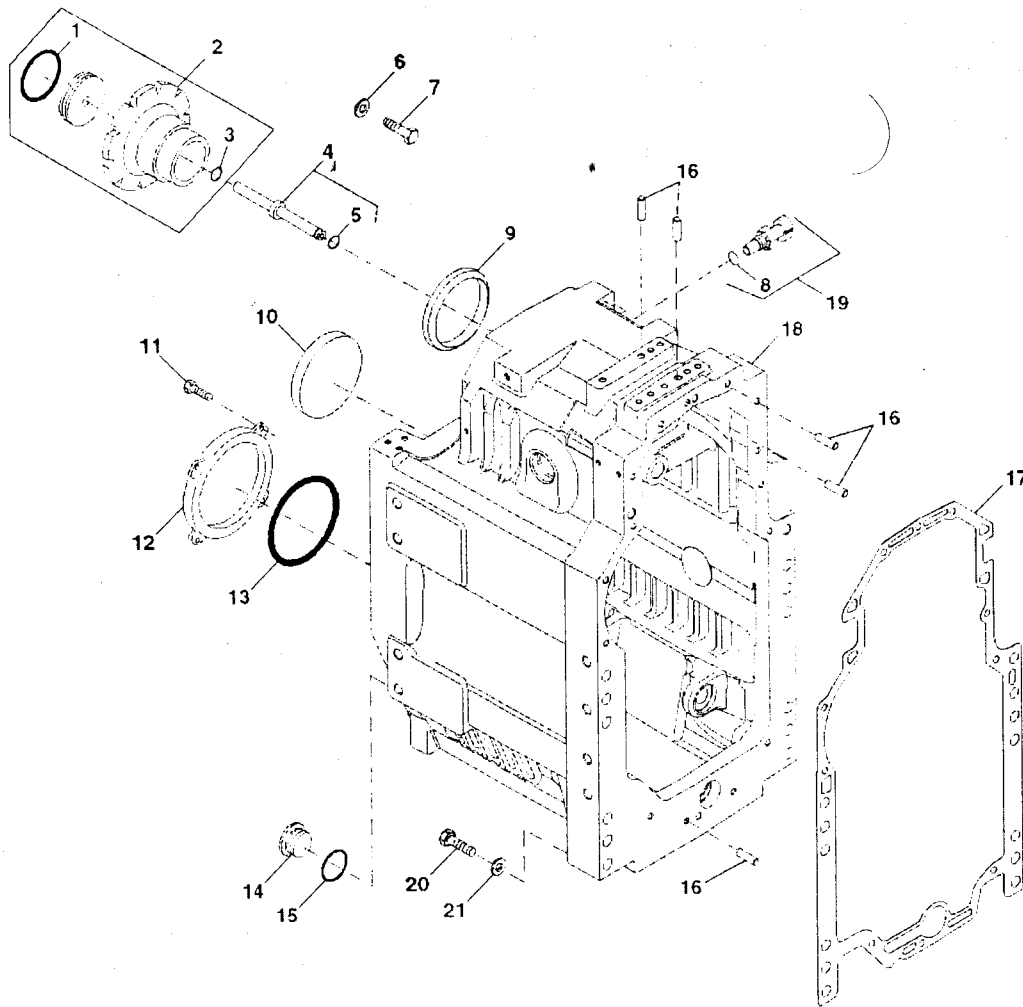


# 51-38

POWER SHIFT TRANSMISSION

TRANSMISSION CASE  
CARTER DE TRANSMISSION  
GETRIEBEGEHAEUSE  
SCATOLA DELLA TRASMISSIONE  
CAJA DE TRANSMISION  
TRANSMISSIONSKAAPA

RXA0087764 -UN-13MAR06



RXA0087764

THIS PARTS LISTING IS CONTINUED

# 51-39

POWER SHIFT TRANSMISSION

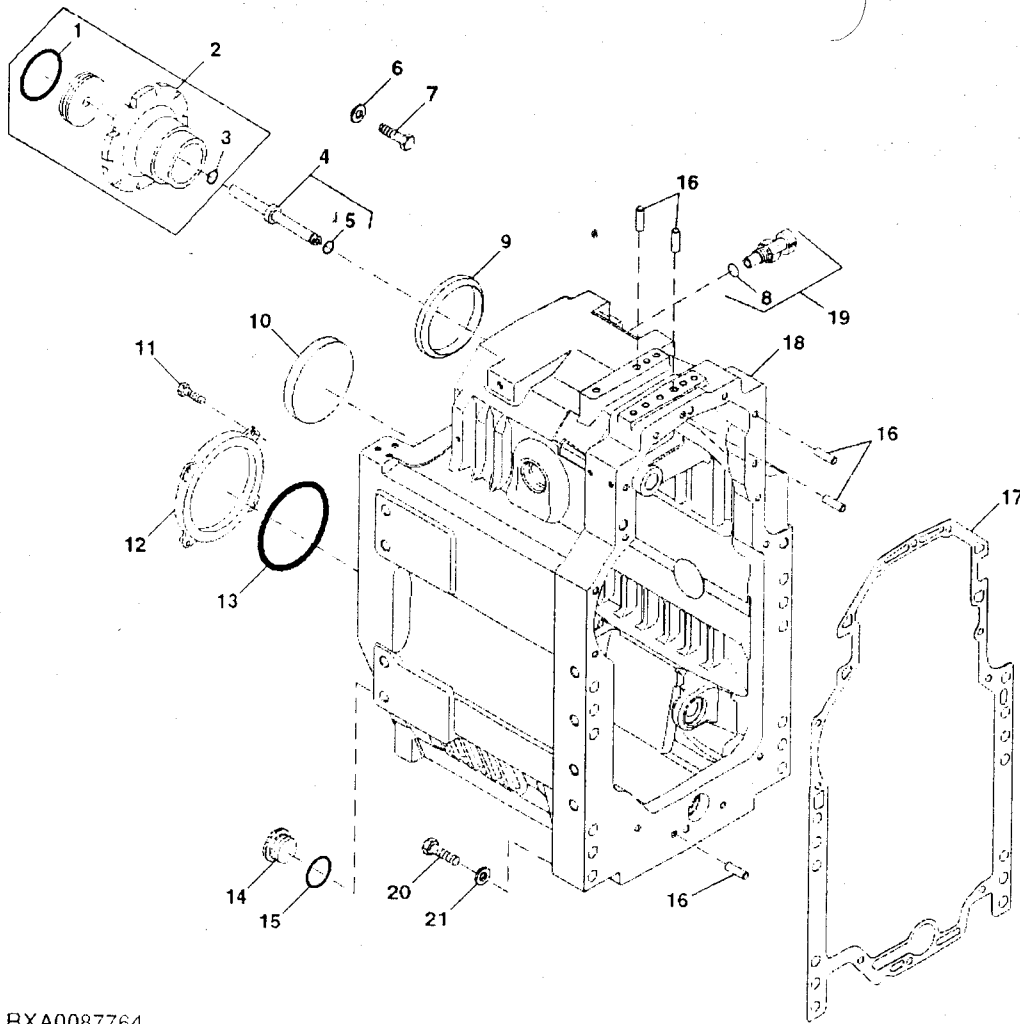
KEY	PART NO	PART NAME	QTY.	TRANSMISSION			REMARKS
				SERIAL NO.	8 8 8	1 2 3	
					3 3 3		
					0 0 0		
1	R132237	O-RING	1		X X X		
2	RE237390	HUB	1		X X X		
3	F3353R	O-RING	1		X X X		
4	RE71323	BREATHER	1		X X X		
5	R132239	O-RING	1		X X X		
6	24M7240	WASHER	9		X X X	13 X 25 X 3 MM	
7	19M7789	SCREW	9		X X X	M12 X 30, HS 10.9	
8	51M7044	O-RING	1		X X X	17.300 X 2.200 MM	
9	RE158066	SEAL	1		X X X		
10	R108503	PLUG	1		X X X		
11	19M7789	SCREW	4		X X X	M12 X 30, HS 10.9	
12	R108569	COVER	1		X X X	W/O MFWD (8130)	
13	T39741	RING	1		X X X		
14	R98012	FITTING PLUG	1		X X X		
15	P47889	O-RING	1		X X X		
16	R48685	DOWEL PIN	5		X X X		
17	R174948	GASKET	1		X X X		
18	R220358	TRANSMISSION CASE	1		X X X		
19	RE519144	SENSOR	1		X X X		
20	19M9144	CAP SCREW	12		X X X	M20 X 180	
21	24M7242	WASHER	12		X X X	21.400 X 42 X 5 MM	

# 51-40

POWER SHIFT TRANSMISSION

TRANSMISSION CASE  
CARTER DE TRANSMISSION  
GETRIEBEGEHAEUSE  
SCATOLA DELLA TRASMISSIONE  
CAJA DE TRANSMISION  
TRANSMISSIONSKAAP

RXA0087764 -UN-13MAR06



RXA0087764

# 51-41

POWER SHIFT TRANSMISSION

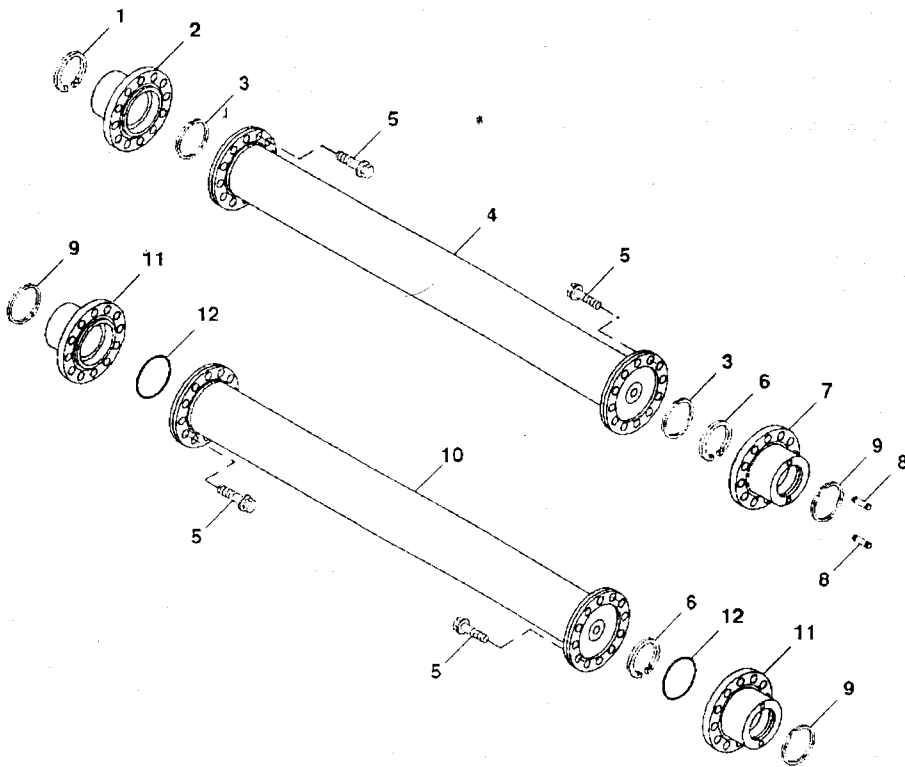
KEY	PART NO.	PART NAME	QTY.	TRANSMISSION	REMARKS
				SERIAL NO.	
				8	
				4	
				3	
				0	
1	R132237	O-RING	1	X	
2	RE237390	HUB	1	X	
3	F3353R	O-RING	1	X	
4	RE71323	BREATHER	1	X	
5	R132239	O-RING	1	X	
6	24M7240	WASHER	9	X	13 X 25 X 3 MM
7	19M7789	SCREW	9	X	M12 X 30, HS 10.9
8	51M7044	O-RING	1	X	17.300 X 2.200 MM
9	RE158066	SEAL	1	X	
10	R108503	PLUG	1	X	
11	19M7789	SCREW	4	X	M12 X 30, HS 10.9
12	R108569	COVER	1	X	
13	T39741	RING	1	X	
14	R98012	FITTING PLUG	1	X	
15	P47889	O-RING	1	X	
16	R48685	DOWEL PIN	5	X	
17	R174948	GASKET	1	X	
18	R220358	TRANSMISSION CASE	1	X	
19	RE519144	SENSOR	1	X	
20	19M9144	CAP SCREW	12	X	M20 X 180
21	24M7242	WASHER	12	X	21.400 X 42 X 5 MM

# 51-42

POWER SHIFT TRANSMISSION

MID-FRAME SHAFTS  
ABRES DE CHASSIS CENTRAL  
MITTERLRAHMENWELLEN  
ALBERI A META' TELAIO  
EJES DEL BASTIDOR CENTRAL  
MITTENRAMAXLAR

RXA0064896 -UN-23JAN03



RXA0064896

THIS PARTS LISTING IS CONTINUED

# 51-43

POWER SHIFT TRANSMISSION

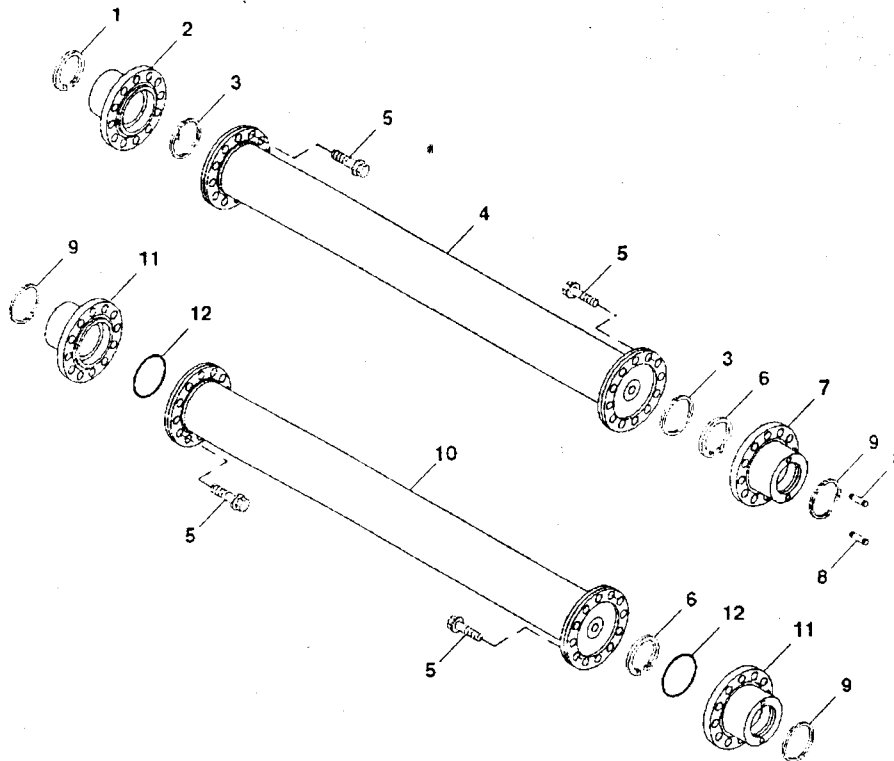
KEY	PART NO.	PART NAME	QTY.	TRACTOR SERIAL NO.	REMARKS
				8 8 8	
				1 2 3	
				3 3 3	
				0 0 0	
1	R122886	O-RING	1		X X X
2	R163989	HUB	1		X X X
3	U44496	O-RING	2		X X X
4	RE216003	SHAFT	1		X X X (A)
5	19M9214	SCREW	42		X X X M10 X 30, HS 12.9
6	P46770	SNAP RING	2		X X X
7	R163990	HUB	1		X X X
8	R116713	NEEDLE ROLLER	2		X X X
9	P50631	O-RING	3		X X X
10	RE216007	SHAFT	1		X X X (B)
11	R163992	QUICK COUPLER	2		X X X
12	R112857	O-RING	2		X X X

(A) TRANSMISSION OUTPUT SHAFT  
 ARBRE DE SORTIE DE TRANSMISSION  
 GETRIEBEABTRIEBSWELLE  
 ALBERO DI USCITA DELLA TRASMISSIONE  
 EJE DE SALIDA DE LA TRANSMISION  
 TRANSMISSIONENS UTGAAENDE AXEL

(B) PTO  
 PDF  
 ZAPFWELLE  
 PTO  
 TDF  
 KRAFTUTTAG

MID-FRAME SHAFTS  
ABRES DE CHASSIS CENTRAL  
MITTERLRAHMENWELLEN  
ALBERI A META' TELAIO  
EJES DEL BASTIDOR CENTRAL  
MITTENRAMAXLAR

RXA0064896 -UN-23JAN03



RXA0064896

THIS PARTS LISTING IS CONTINUED

# 51-45

POWER SHIFT TRANSMISSION

KEY	PART NO.	PART NAME	QTY.	TRACTOR SERIAL NO.	8 4 3 0	REMARKS
1	R122886	O-RING	1		X	
2	R163989	HUB	1		X	
3	U44496	O-RING	2		X	
4	RE216003	SHAFT	1		X (A)	
5	19M9214	SCREW	42		X	M10 X 30, HS 12.9
6	P46770	SNAP RING	2		X	
7	R163990	HUB	1		X	
8	R116713	NEEDLE ROLLER	2		X	
9	P50631	O-RING	3		X	
10	RE216007	SHAFT	1		X (B)	
11	R163992	QUICK COUPLER	2		X	
12	R112857	O-RING	2		X	

(A) TRANSMISSION OUTPUT SHAFT  
 ARBRE DE SORTIE DE TRANSMISSION  
 GETRIEBEABTRIEBSWELLE  
 ALBERO DI USCITA DELLA TRASMISSIONE  
 EJE DE SALIDA DE LA TRANSMISION  
 TRANSMISSIONENS UTGAENDE AXEL

(B) PTO  
 PDF  
 ZAPFWELLE  
 PTO  
 TDF  
 KRAFTUTTAG

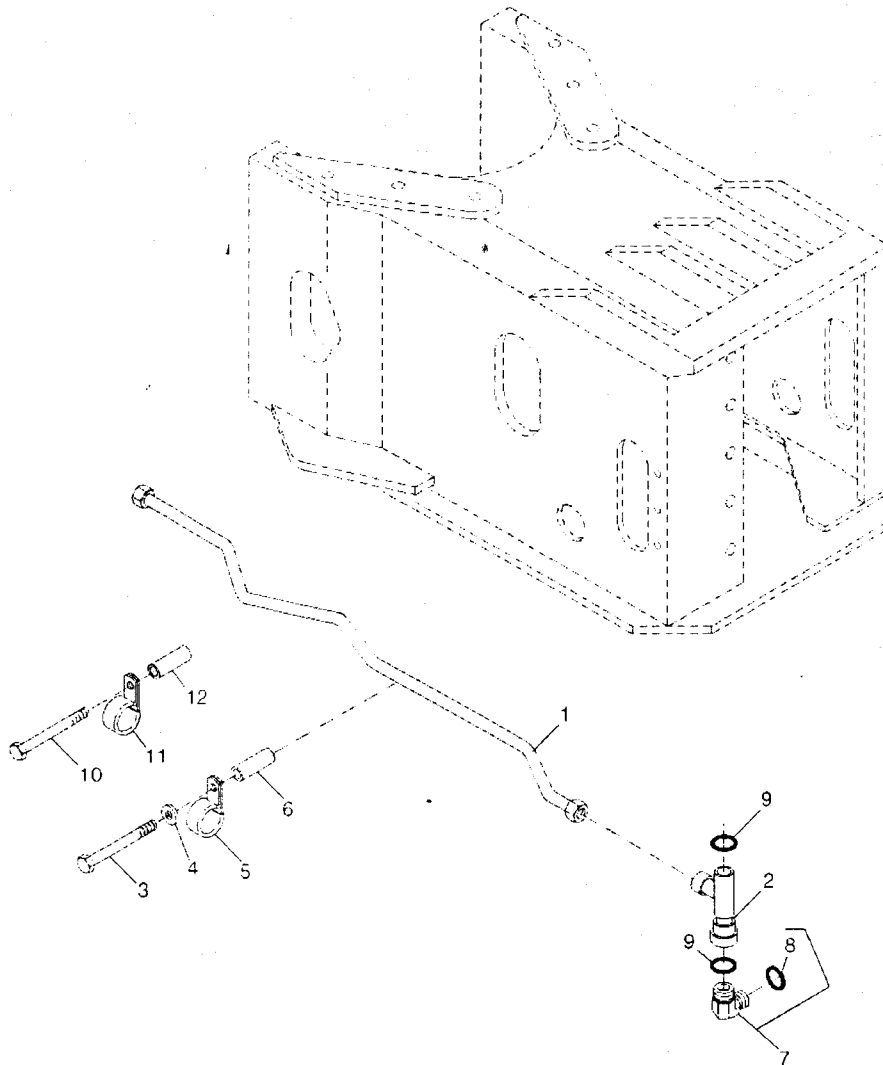


# 51-46

POWER SHIFT TRANSMISSION

TRANSMISSION LINES  
CONDUITES DE TRANSMISSION  
GETRIEBE-LEITUNGEN  
LINEE DELLA TRASMISSIONE  
LINEAS DE TRANSMISION  
TRANSMISSIONSLEDNINGAR

RXA0061932 -UN-02AUG02



RXA0061932

# 51-47

POWER SHIFT TRANSMISSION

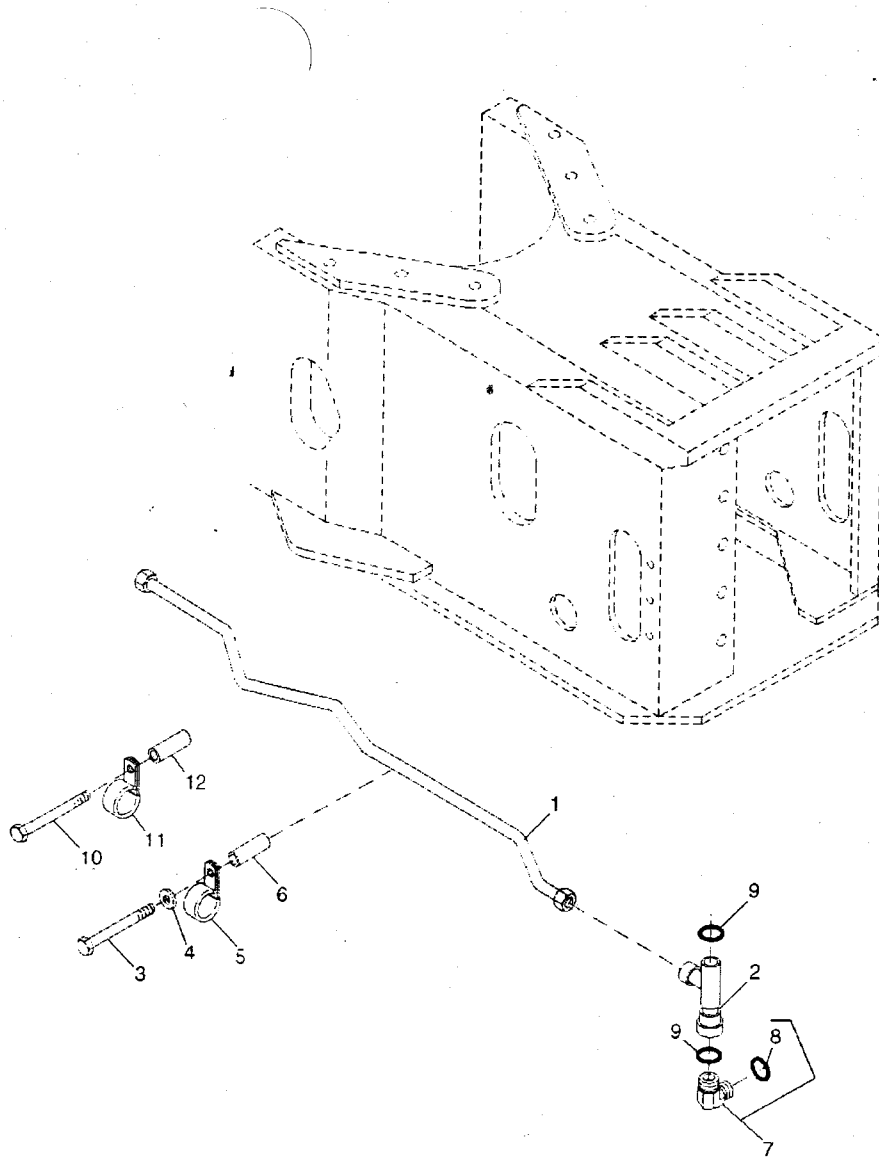
KEY	PART NO.	PART NAME	QTY.	TRACTOR SERIAL NO.	REMARKS
				8 8 8	
				1 2 3	
				3 3 3	
				0 0 0	
1	RE243530	OIL LINE	1		X X X
	RE243537	OIL LINE	1		X X X (IVT)
2	38H5069	TEE FITTING	1		X X X
3	19M7185	CAP SCREW	2		X X X M8 X 60
4	24M7207	WASHER	2		X X X 8.400 X 24 X 2 MM
5	R73291	CLAMP	1		X X X
6	28H1497	BUSHING	2		X X X 0.493" X 0.675" X 1-1/2"
7	38H5023	ELBOW FITTING	1		X X X
8	51M7041	O-RING	1		X X X 11.300 X 2.200 MM
9	T77857	O-RING	3		X X X
10	37M7262	SCREW	1		X X X M10 X 50
11	T24958	CLIP	1		X X X
12	28H3387	BUSHING	1		X X X 0.493" X 0.675" X 1-1/4"

# 51-48

POWER SHIFT TRANSMISSION

TRANSMISSION LINES  
CONDUITES DE TRANSMISSION  
GETRIEBE-LEITUNGEN  
LINEE DELLA TRASMISSIONE  
LINEAS DE TRANSMISION  
TRANSMISSIONSLEDNINGAR

RXA0061932 -UN-02AUG02



RXA0061932

# 51-49

POWER SHIFT TRANSMISSION

KEY	PART NO.	PART NAME	QTY.	TRACTOR SERIAL NO.	REMARKS
				8 8	
				4 5	
				3 3	
				0 0	
1	RE243530	OIL LINE	1		X
	RE243537	OIL LINE	1		X X (IVT)
2	38H5069	TEE FITTING	1		X X
3	19M7185	CAP SCREW	2		X X M8 X 60
4	24M7207	WASHER	2		X X 8.400 X 24 X 2 MM
5	R73291	CLAMP	1		X X
6	28H1497	BUSHING	2		X X 0.493" X 0.675" X 1-1/2"
7	38H5023	ELBOW FITTING	1		X X
8	51M7041	O-RING	1		X X 11.300 X 2.200 MM
9	T77857	O-RING	3		X X
10	37M7262	SCREW	1		X X M10 X 50
11	T24958	CLIP	1		X X
12	28H3387	BUSHING	1		X X 0.493" X 0.675" X 1-1/4"

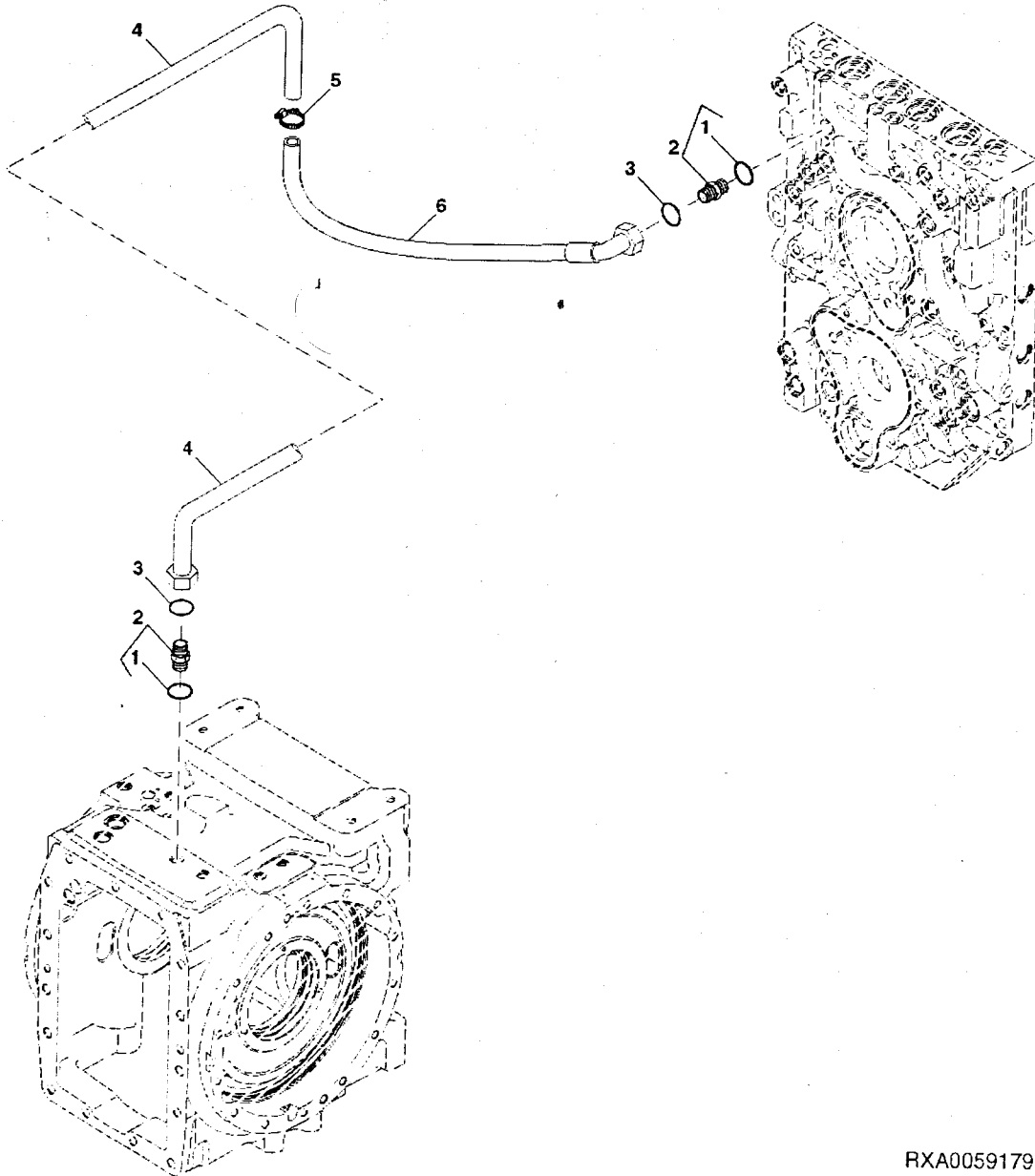
# 51-50

POWER SHIFT TRANSMISSION

TRANSMISSION LINES  
CONDUITES DE TRANSMISSION  
GETRIEBE-LEITUNGEN  
LINEE DELLA TRASMISSIONE  
LINEAS DE TRANSMISION  
TRANSMISSIONSLEDNINGAR

RXA0059179

-UN-11JAN02



RXA0059179

# 51-51

POWER SHIFT TRANSMISSION

KEY	PART NO.	PART NAME	QTY.	TRACTOR SERIAL NO.	A L L	REMARKS
1	51M7043	O-RING	2		X	15.300 X 2.200 MM
2	38H5003	ADAPTER FITTING	2		X	
3	T77857	O-RING	2		X	
4	RE220170	OIL LINE	1		X	
5	R184863	HOSE CLAMP	1		X	
6	RE199331	HYDRAULIC HOSE	1		X	

MEMORANDA  
MEMORANDA  
MEMORANDA  
MEMORANDA  
MEMORANDA

MEMORANDA  
MEMORANDA  
MEMORANDA  
MEMORANDA  
MEMORANDA



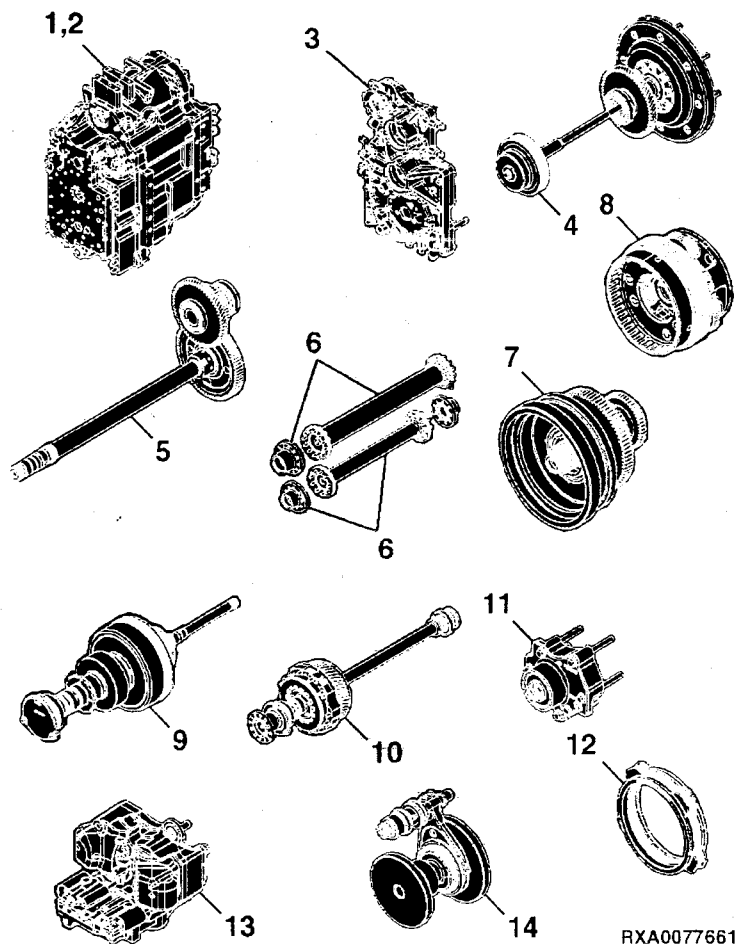
# 52-A01

INFINITELY VARIABLE TRANSMISSION

SECTIONAL INDEX  
 INDEX DE SECTION  
 GRUPPENINDEX  
 INDICE DELLA SEZIONE  
 INDICE DE SECCION  
 GRUPPSFORTECKNING

RXA0077661 -UN-

1-	2
1-	2
2-	6
3-	8
4-	10
5-	12
6-	12
7-	16
8-	18
9-	20
10-	22
11-	24
12-	26
13-	28
14-	30

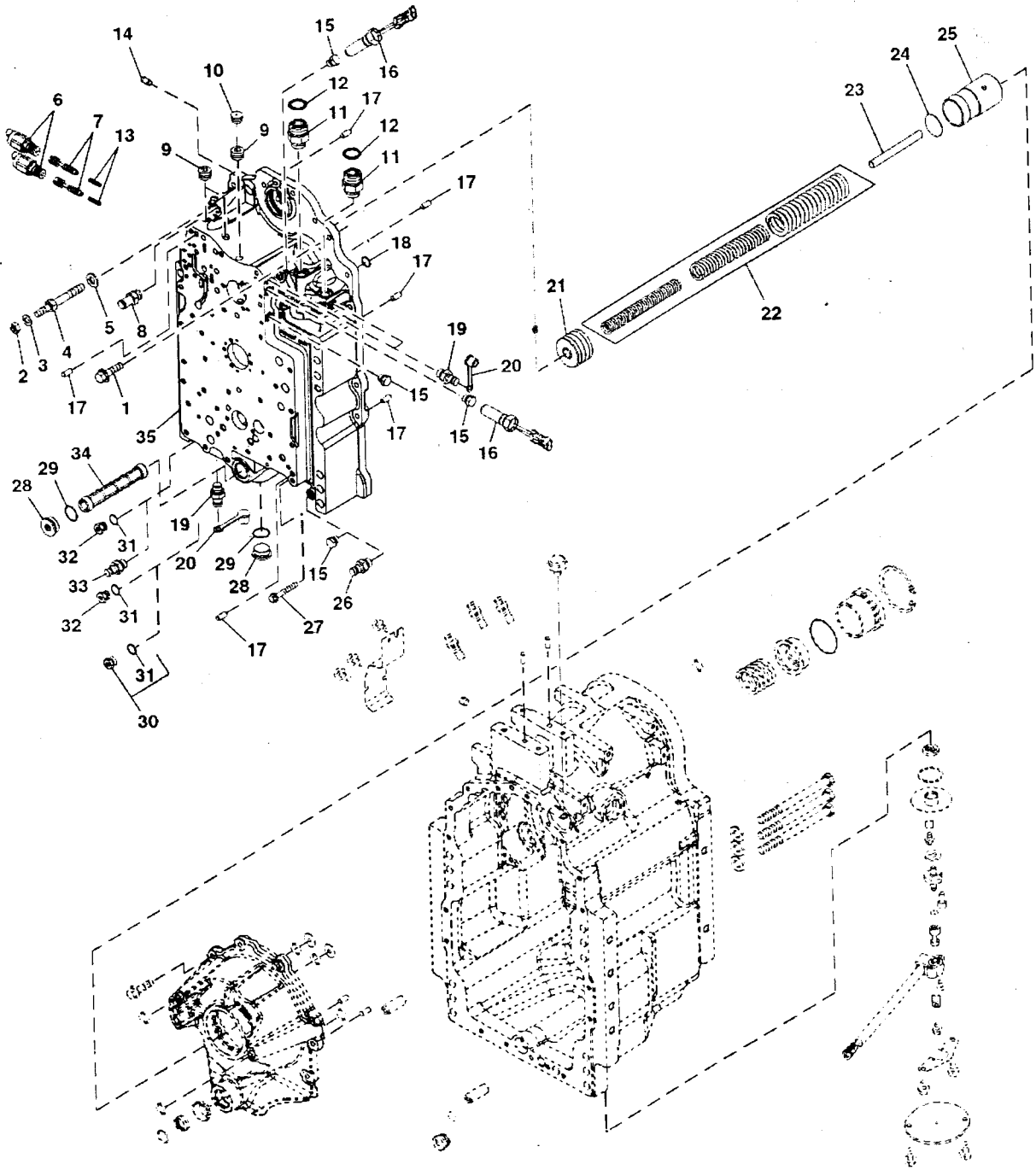


RXA0077661

MEMORANDA  
MEMORANDA  
MEMORANDA  
MEMORANDA  
MEMORANDA

TRANSMISSION HOUSING (REAR)  
CARTER DE TRANSMISSION (ARRIERE)  
GETRIEBEGEHAUSE (HINTERE)  
ALLOGGIAMENTO TRASMISSIONE (POSTERIORE)  
CAJA DE TRANSMISION (TRASERO)  
TRANSMISSIONSKAAP (BAK)

RXA0083524 -UN-22AUG05



RXA0083524

THIS PARTS LISTING IS CONTINUED

8130, 8230, 8330, 8430, 8530 TRACTORS PC9451 (30-AUG-05 PN=40)

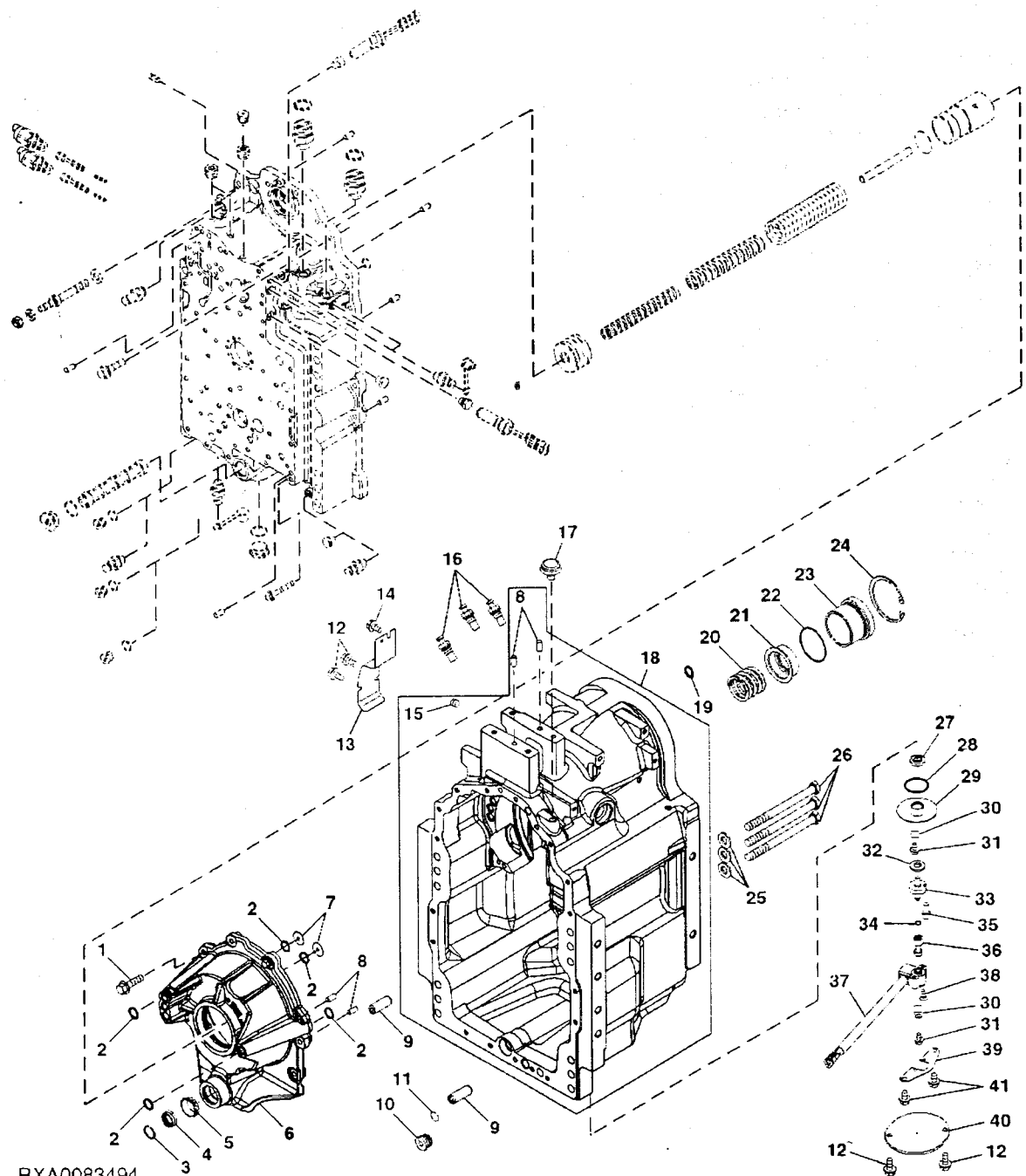
## 52-3

INFINITELY VARIABLE TRANSMISSION

KEY	PART NO.	PART NAME	QTY.	TRANSMISSION SERIAL NO.	A L L	REMARKS
1	19M7813	SCREW	15		X	M12 X 45, HS 10.9
2	14M7274	NUT	1		X	M10
3	24M7028	WASHER	1		X	10.500 X 20 X 2 MM
4	R120578	STUD	1		X	
5	24M7240	WASHER	1		X	13 X 25 X 3 MM
6	RE244397	SOLENOID VALVE	2		X	
7	R196190	SPOOL	2		X	
8	RE223627	HOSE FITTING	1		X	
9	R125064	PIPE PLUG	3		X	
10	15H561	PIPE PLUG	1		X	
11	38H5121	ADAPTER FITTING	2		X	
12	T77858	O-RING	2		X	
13	R168675	SPRING	2		X	
14	AT107509	PLUG	1		X	
15	RE46684	PLUG	7		X	(MFWD)
	RE46684	PLUG	6		X	(ILS)
16	RE204888	SENSOR	2		X	
17	R48685	DOWEL PIN	6		X	
18	R27166	O-RING	1		X	
19	RE190805	DIAGNOSTIC COUPLING	3		X	
20	R77175	COVER	3		X	
21	R218289	PISTON	1		X	
22	RE228128	COMPRESSION SPRING	1		X	
23	R218285	PIN	1		X	
24	R226101	WASHER	1		X	
25	R218284	RETAINER	1		X	
26	62M1000	ADAPTER FITTING	1		X	(ILS)
27	19M7818	SCREW	1		X	M12 X 80, HS 10.9
28	R169838	DRAIN PLUG	2		X	
29	51M7049	O-RING	2		X	38.600 X 2.900 MM
30	RE244515	FITTING	1		X	(ILS)
31	51M7047	O-RING	3		X	23.600 X 2.900 MM, (MFWD)
32	15M7078	DRAIN PLUG	2		X	(MFWD)
33	62M1002	ADAPTER FITTING	1		X	(ILS)
34	R89411	SCREEN	1		X	
35	RE246597	COVER	1		X	(INCLUDES R201255, (3) R125064 AND (6) R48685) (MARKED R242782)

TRANSMISSION HOUSING (REAR)  
CARTER DE TRANSMISSION (ARRIERE)  
GETRIEBEGEHAEUSE (HINTERE)  
ALLOGGIAMENTO TRASMISSIONE (POSTERIORE)  
CAJA DE TRANSMISION (TRASERO)  
TRANSMISSIONSKAAPPA (BAK)

RXA0083494 -UN-19AUG05



RXA0083494

THIS PARTS LISTING IS CONTINUED

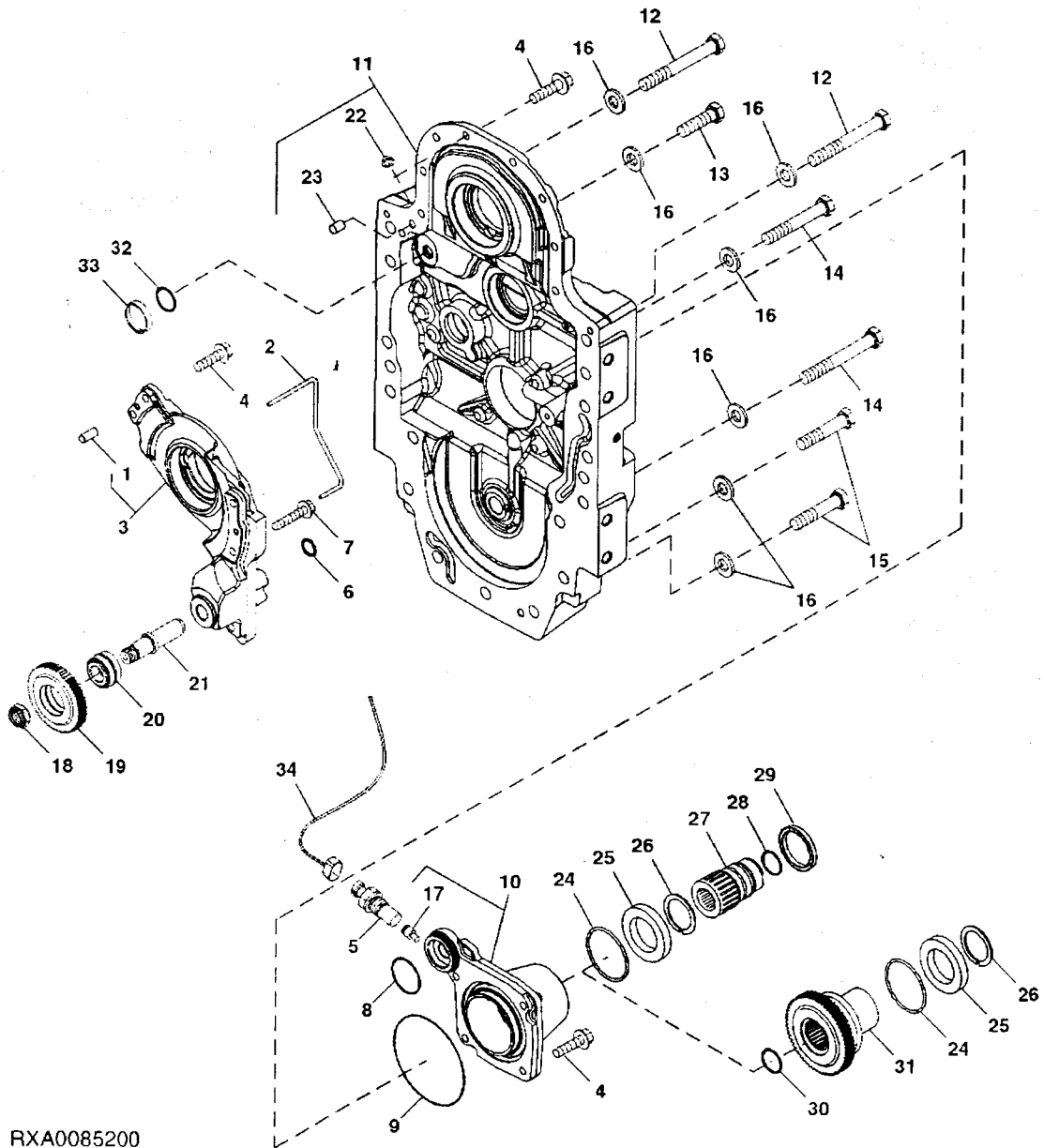
## 52-5

INFINITELY VARIABLE TRANSMISSION

KEY	PART NO.	PART NAME	QTY.	TRANSMISSION SERIAL NO.	A L L	REMARKS
1	19M7813	SCREW	6		X	M12 X 45, HS 10.9
2	B2762R	O-RING	9		X	
3	R171788	SNAP RING	1		X	
4	RE159993	NEEDLE BEARING	1		X	
5	JD10266	BEARING CONE	1		X	
6	R234491	HOUSING	1		X	
7	R224235	WASHER	2		X	
8	R48685	DOWEL PIN	4		X	
9	R201255	BUSHING	2		X	
10	R218821	GROMMET	1		X	
11	F3171R	O-RING	3		X	
12	19M7865	SCREW	4		X	M8 X 16, HS 10.9
13	R220778	SHIELD	1		X	
14	21M7499	SCREW	1		X	M8 X 40, HS 10.9
15	R121580	PIPE PLUG	1		X	
16	RE519144	SENSOR	3		X	
17	U43871	BREATHER	1		X	
18	RE246598	TRANSMISSION CASE	1		X	(MARKED R243035) (MFWD)
	RE246599	TRANSMISSION CASE	1		X	(MARKED R243037) (ILS)
19	R56465	O-RING	1		X	
20	R219638	COMPRESSION SPRING	1		X	
21	R229766	STOP	1		X	
22	R207199	O-RING	1		X	
23	R229763	SLEEVE	1		X	
24	R215255	SNAP RING	1		X	
25	24M7242	WASHER	12		X	21.400 X 42 X 5 MM
26	19M9348	CAP SCREW	12		X	M20 X 240, HS 10.9
27	RE208968	SEAL	1		X	
28	M4125T	O-RING	1		X	
29	RE220604	PLATE	1		X	
30	R221323	ANGLE	2		X	
31	19M7864	SCREW	2		X	M8 X 12, HS 10.9
32	R225209	SEALING RING	1		X	
33	R232251	SHAFT	1		X	
34	R224023	SNAP RING	1		X	
35	19M7887	SCREW	1		X	M5 X 10, HS 10.9
36	R232252	DRIVER	1		X	
37	RE242941	SENSOR	1		X	
38	21M7307	SCREW	2		X	M5 X 12
39	R242453	CLAMP	1		X	
40	R231584	COVER	1		X	
41	19M8971	SCREW	4		X	M8 X 12, HS 10.9

TRANSMISSION HOUSING (FRONT)  
 CARTER DE TRANSMISSION (AVANT)  
 GETRIEBEGEHAEUSE (VORN)  
 ALLOGGIAMENTO TRASMISSIONE (ANTERIORE)  
 CAJA DE TRANSMISION (FRENTE)  
 TRANSMISSIONSKAAPA (FRAM)

RXA0085200 -UN-29NOV05



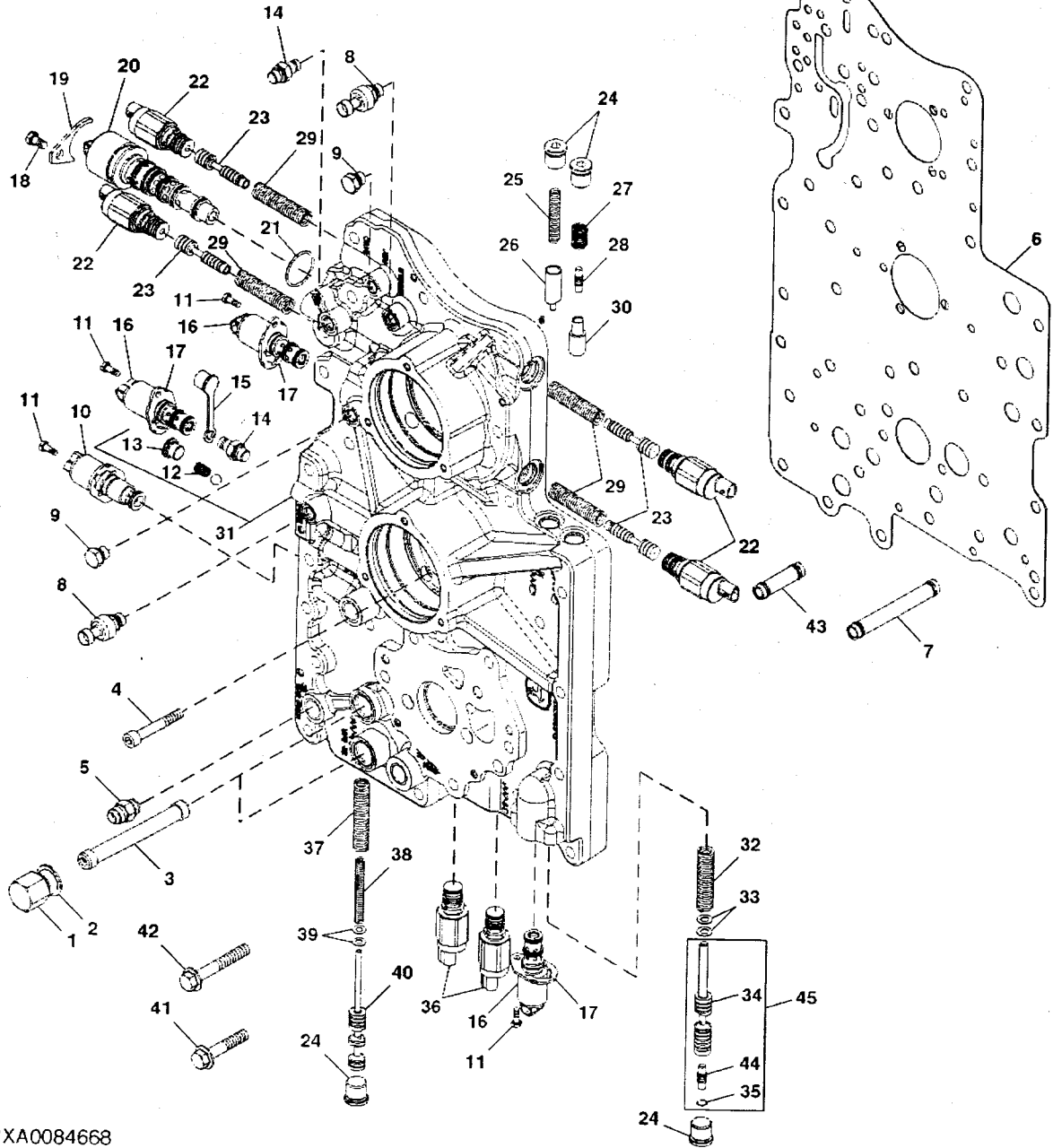
RXA0085200

KEY	PART NO.	PART NAME	QTY.	TRANSMISSION SERIAL NO.	A L L	REMARKS
1	R28671	DOWEL PIN	2		X	
2	R225284	OIL LINE	1		X	
3	RE246618	HOUSING	1		X	(MARKED R241916)
4	19M7813	SCREW	15		X	M12 X 45, HS 10.9
5	RE519144	SENSOR	1		X	
6	B2762R	O-RING	1		X	
7	19M7815	SCREW	2		X	M12 X 60, HS 10.9
8	R122886	O-RING	1		X	
9	R99039	O-RING	1		X	
10	RE246614	BEARING HOUSING W/O BEARING	1		X	(MARKED R224319) (MFWD)
	RE246617	BEARING HOUSING W/O BEARING	1		X	(MARKED R224320) (ILS)
11	RE246605	COVER	1		X	(MARKED R244633) (MFWD)
	RE246601	COVER	1		X	(MARKED R243832) (ILS)
12	19M9142	CAP SCREW	10		X	M20 X 160, HS 10.9 (ILS)
	19M9142	CAP SCREW	9		X	M20 X 160, HS 10.9 (MFWD)
13	19M9133	CAP SCREW	1		X	M20 X 70, (MFWD) HS 10.9
	19M9133	CAP SCREW	6		X	M20 X 70, (ILS) HS 10.9
14	19M9139	CAP SCREW	2		X	M20 X 130, HS 10.9
15	19M9135	CAP SCREW	7		X	M20 X 100, HS 10.9 (MFWD)
	19M9135	CAP SCREW	6		X	M20 X 100, HS 10.9 (ILS)
16	24M7242	WASHER	22		X	21.400 X 42 X 5 MM, (ILS)
	24M7242	WASHER	19		X	21.400 X 42 X 5 MM, (MFWD)
17	AT107509	PLUG	1		X	
18	R223477	LOCK NUT	1		X	
19	R241540	GEAR	1		X	
20	RE231707	TAPERED ROLLER BEARING	1		X	
21	R223443	SHAFT	1		X	
22	R121580	PIPE PLUG	1		X	
23	R48685	DOWEL PIN	2		X	
24	F1373R	SNAP RING	1		X	
25	JD8644	BALL BEARING	1		X	
26	C19243	SNAP RING	1		X	
27	R205583	SHAFT	1		X	(MFWD)
28	U10289	O-RING	1		X	(MFWD)
29	RE32442	SEAL	1		X	(MFWD)
30	H140823	SNAP RING	1		X	(ILS)
31	R208373	SHAFT	1		X	(ILS)
32	R229769	SEAL	1		X	
33	R460R	O-RING	1		X	
34	RE234016	CHASSIS WIRING HARNESS	1		X	



MANIFOLD VALVES AND SOLENOIDS  
 SOUPAPES ET SOLENOIDES DU REPARTITEUR  
 VERTEILERVENTILE UND-MAGNETSCHALTER  
 SOLENOIDI E VALVOLE DEL COLLETTORE  
 SOLENOIDES Y VALVULAS DE MULTIPLE  
 FOERDELARE, VENTILER OCH SOLENOIDER

RXA0084668 -UN-21OCT05



RXA0084668

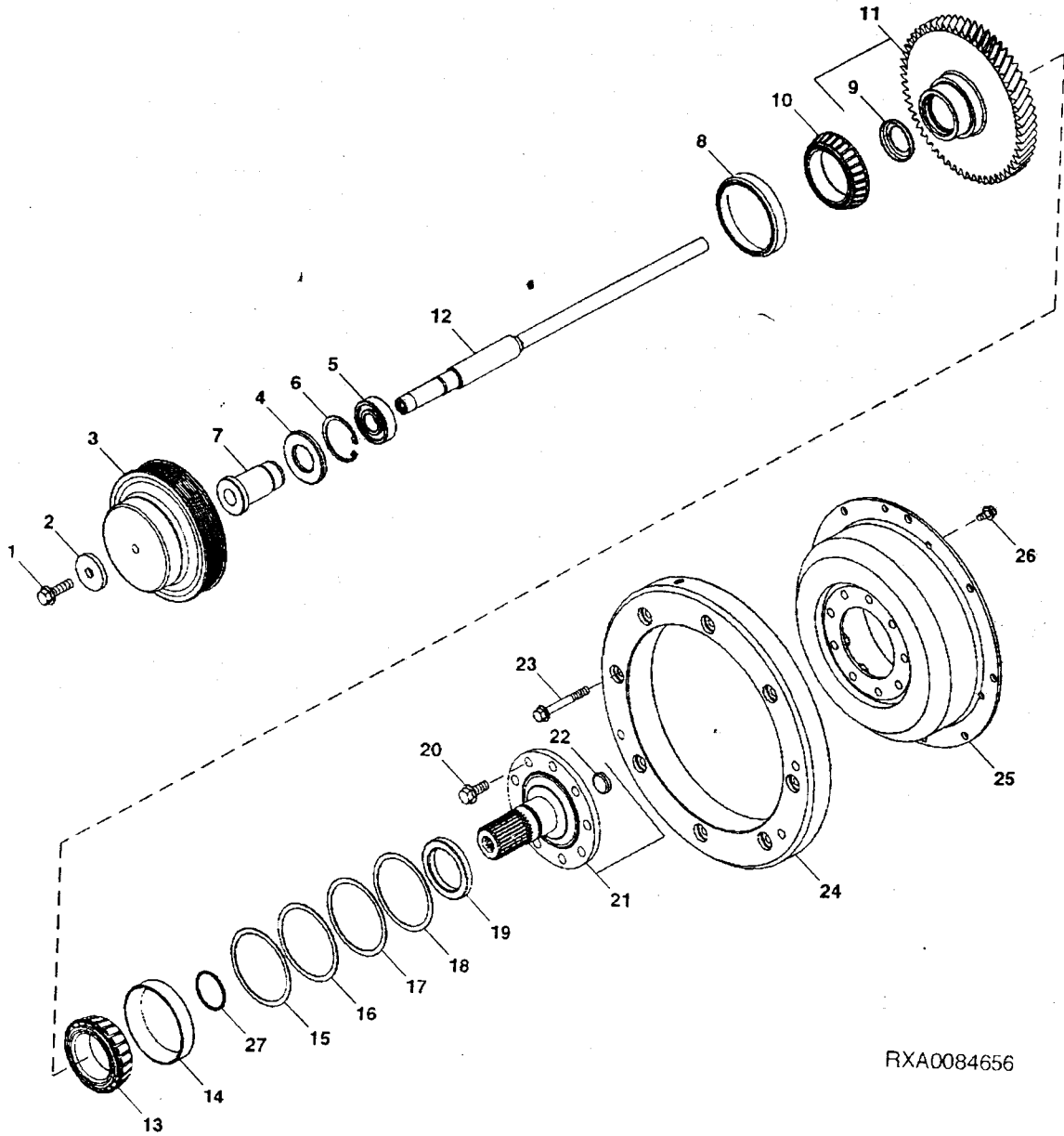
KEY	PART NO.	PART NAME	QTY.	TRANSMISSION SERIAL NO	A L L	REMARKS
1	R95078	FITTING PLUG	2		X	
2	51M7047	O-RING	2		X	
3	R197359	SCREEN	2		X	
4	19M8340	SCREW	8		X	M10 X 65, HS 12.9
5	62M1020	ADAPTER FITTING	3		X	
6	R225623	GASKET	1		X	
7	RE163093	OIL LINE	3		X	
8	RE217077	TRANS OIL PRESSURE SENSOR	2		X	
9	RE46684	PLUG	2		X	
10	RE212444	VALVE SEAT	1		X	
11	19M7560	CAP SCREW	8		X	M6 X 16
12	R128397	SPRING	1		X	
13	RE52242	DRAIN PLUG	1		X	
14	RE190805	DIAGNOSTIC COUPLING	2		X	
15	R77175	COVER	1		X	
16	RE236741	SOLENOID VALVE	3		X	(SUB RE246268)
17	R211082	CLAMP	3		X	
18	19M7932	CAP SCREW	1		X	M8 X 16, HS 10.9
19	R95045	CLAMP	1		X	
20	RE166766	VALVE	1		X	
21	U41966	O-RING	1		X	
22	RE244397	SOLENOID VALVE	4		X	
23	R196190	SPOOL	4		X	
24	RE162743	FITTING PLUG	4		X	
25	R161101	COMPRESSION SPRING	1		X	
26	R210908	SPOOL VALVE	1		X	
27	R218926	COMPRESSION SPRING	1		X	
28	R212714	PIN	1		X	
29	R168675	SPRING	4		X	
30	R218648	SPOOL VALVE	1		X	
31	RE246760	MANIFOLD	1		X	(INCLUDES R128397 AND RE52242)
32	RE236921	COMPRESSION SPRING	1		X	
33	R212713	SHIM	6		X	
34	R225620	SPOOL VALVE	1		X	
35	40M7295	SNAP RING	1		X	
36	RE212709	CONTROL VALVE	2		X	
37	R214783	COMPRESSION SPRING	1		X	
38	R160628	COMPRESSION SPRING	1		X	
39	R86638	SHIM	2		X	
40	R225621	SPOOL VALVE	1		X	
41	19M7815	SCREW	16		X	M12 X 60, HS 10.9
42	19M7818	SCREW	13		X	M12 X 80, HS 10.9
43	RE163094	OIL LINE	2		X	
44	R212714	PIN	1		X	
45	RE217754	PRESSURE RELIEF VALVE	1		X	

# 52-10

INFINITELY VARIABLE TRANSMISSION

INPUT SHAFT  
ARBRE PRIMAIRE  
EINGANGSWELLE  
ALBERO DI INGRESSO  
EJE DE ENTRADA  
INGAAENDE AXEL

RXA0084656 -UN-17OCT05



RXA0084656

## 52-11

INFINITELY VARIABLE TRANSMISSION

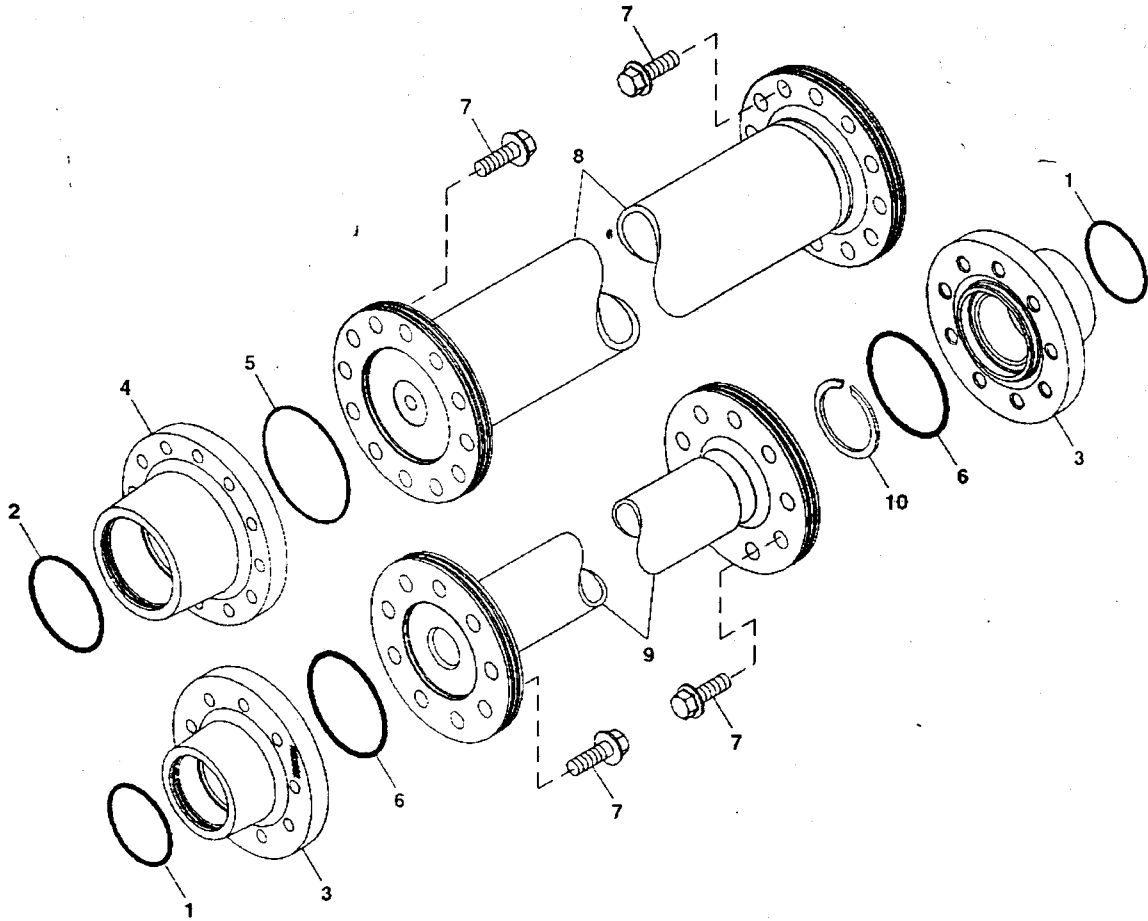
KEY	PART NO.	PART NAME	QTY.	TRANSMISSION SERIAL NO.	A	REMARKS
					L	
1	19M7791	BOLT	1		X	M12 X 40, HS 10.9
2	24H1900	WASHER	1		X	17/32" X 2" X 1/4"
3	R107078	PULLEY	1		X	
4	RE40413	SEAL	1		X	
5	R246004	BALL BEARING	1		X	
6	40M7043	SNAP RING	1		X	
7	R219526	HUB	1		X	
8	JD8210	BEARING CUP	1		X	
9	R69340	ROUND RETAINER	1		X	
10	JD8159	BEARING CONE	1		X	
11	RE247675	GEAR	1		X	
12	R207212	SHAFT	1		X	
13	JD8130	BEARING CONE	1		X	
14	JD7446	BEARING CUP	1		X	
15	R86270	SHIM	1		X	
16	R57311	SHIM	1		X	
17	R57312	SHIM	1		X	
18	R57313	WASHER	1		X	
19	RE32442	SEAL	1		X	
20	19M7789	SCREW	9		X	M12 X 30, HS 10.9
21	RE247676	HUB	1		X	
22	R27036	PLUG	1		X	
23	19M7810	SCREW	8		X	M10 X 80, HS 10.9
24	R219527	RING	1		X	
25	RE213694	TORSIONAL DAMPER	1		X	
26	19M7865	SCREW	2		X	M8 X 16, HS 10.9
27	R31378	O-RING	1		X	



KEY	PART NO.	PART NAME	QTY.	TRANSMISSION SERIAL NO.	A	REMARKS
					L	
1	R28640	SNAP RING	1		X	
2	R204520	RING	2		X	
3	R220679	SHAFT	1		X	
4	JD8210	BEARING CUP	2		X	
5	JD8159	BEARING CONE	2		X	
6	RE235013	GEAR	1		X	
7	R57312	SHIM	1		X	
8	R57311	SHIM	1		X	
9	R86270	SHIM	1		X	
10	R235018	GEAR	1		X	
11	19M8737	SCREW	1		X	M12 X 140, HS 10.9
12	24M7240	WASHER	1		X	13 X 25 X 3 MM
13	R244620	SHAFT	1		X	
14	RE167922	CYLINDRICAL ROLLER BEARING	2		X	
15	R192369	THRUST WASHER	1		X	
16	R184802	SNAP RING	1		X	

MID-FRAME SHAFTS  
ABRES DE CHASSIS CENTRAL  
MITTERLRAHMENWELLEN  
ALBERI A META' TELAIO  
EJES DEL BASTIDOR CENTRAL  
MITTENRAMAXLAR

RXA0077635 -UN-27SEP04



RXA0077635

# 52-15

INFINITELY VARIABLE TRANSMISSION

KEY	PART NO.	PART NAME	QTY.	TRANSMISSION SERIAL NO.	A L L	REMARKS
1	P50631	O-RING	2		X	
2	R122886	O-RING	1		X	
3	R163992	QUICK COUPLER	2		X (A)	
4	R163989	HUB	1		X	
5	U44496	O-RING	1		X	
6	R112857	O-RING	2		X	
7	19M9214	SCREW	42		X	M10 X 30, HS 12.9
8	RE216006	SHAFT	1		X	
9	RE216008	SHAFT	1		X (A)	
10	P46770	SNAP RING	1		X	

(A) PTO  
PDF  
ZAPFWELLE  
PTO  
TDF  
KRAFTUTTAGE

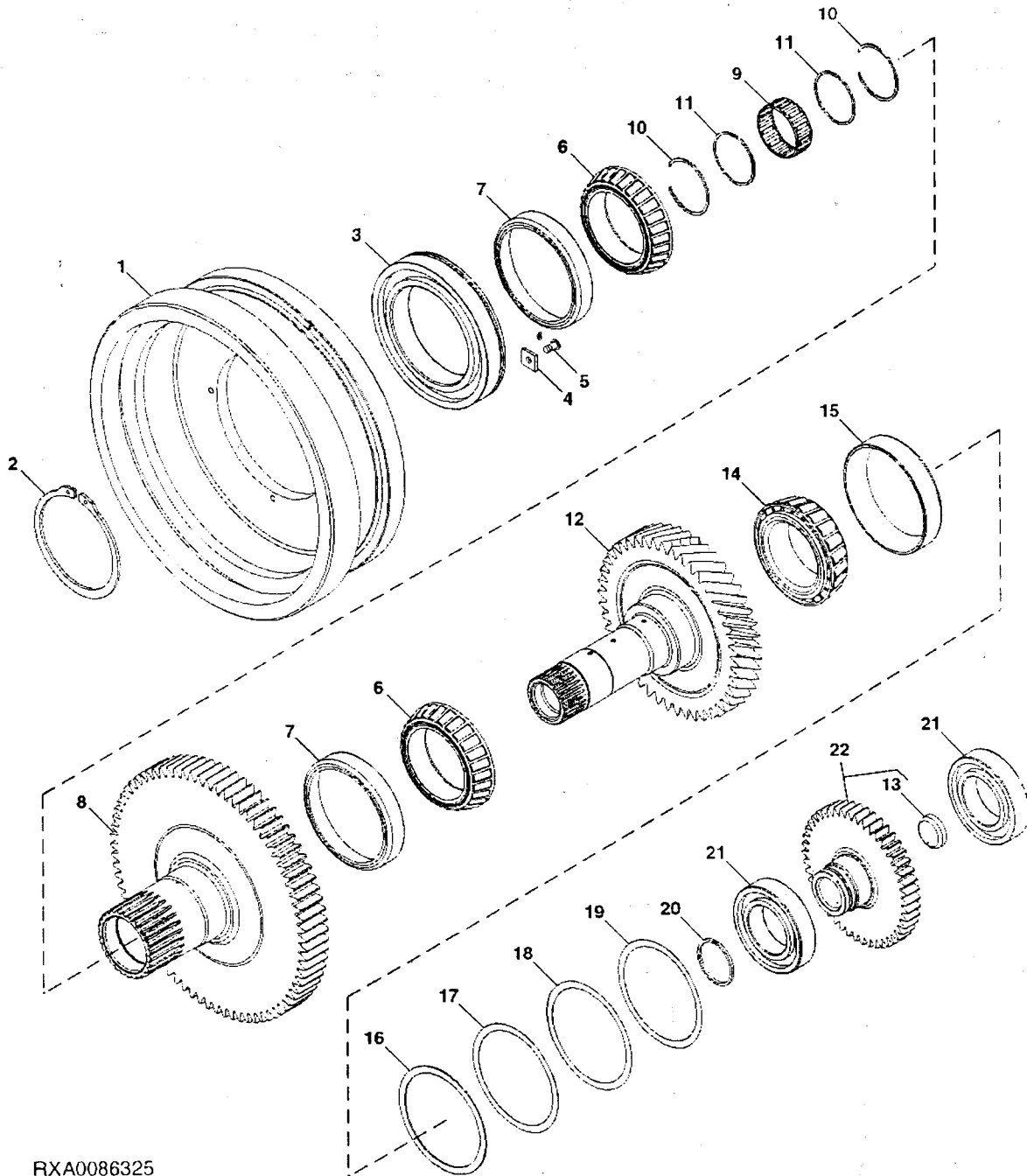


# 52-16

INFINITELY VARIABLE TRANSMISSION

INPUT PLANETARY ASSEMBLY  
ENSEMBLE PLANETAIRE D'ENTREE  
EINGANGSPLANETEN-BAUGRUPPE  
GRUPPO PLANETARIO DI ENTRATA  
CONJUNTO DEL PLANETARIO DE ENTRADA  
INGAÄENDE PLANETVAEXELSATS

RXA0086325 -UN-30JAN06



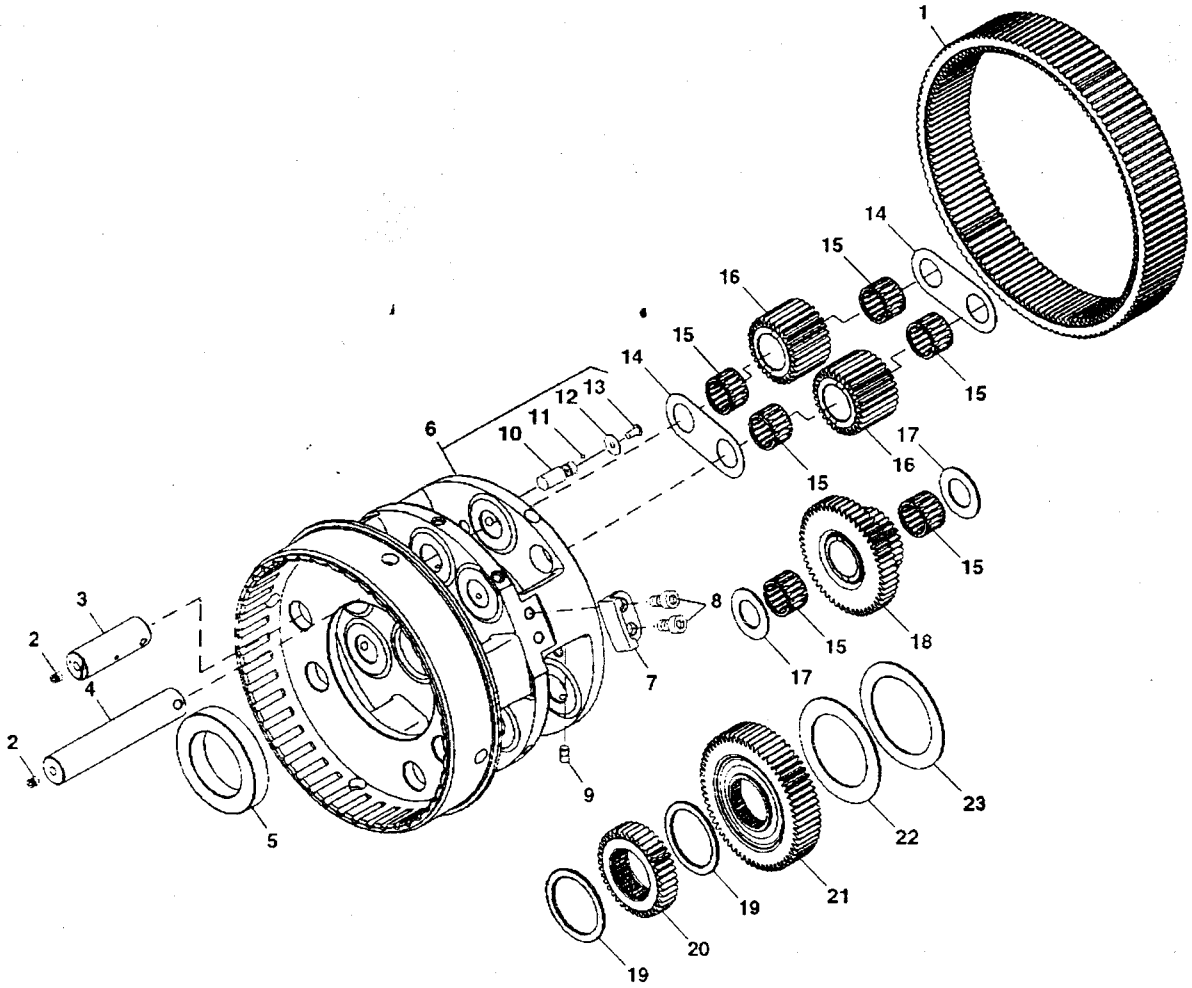
RXA0086325

THIS PARTS LISTING IS CONTINUED

KEY	PART NO.	PART NAME	QTY.	TRANSMISSION SERIAL NO.	A L L	REMARKS
1	R241544	GEAR	1		X	
2	40M7233	SNAP RING	1		X	
3	RE232914	BALL BEARING	1		X	
4	R222409	STRAP	4		X	
5	R235299	SCREW	4		X	
6	JD8159	BEARING CONE	2		X	
7	JD8210	BEARING CUP	2		X	
8	R192615	GEAR	1		X	
9	RE204154	NEEDLE BEARING	1		X	
10	B3118R	SNAP RING	2		X	
11	R204155	WASHER	2		X	
12	R235012	GEAR	1		X	
13	R221245	PLUG	1		X	
14	JD8130	BEARING CONE	1		X	
15	JD7446	BEARING CUP	1		X	
16	R57313	WASHER	1		X	.48MM
17	R57312	SHIM	1		X	.010MM
18	R57311	SHIM	1		X	.005MM
19	R250002	SHIM	1		X	.178MM
20	R160097	RING	1		X	
21	JD9346	BALL BEARING	2		X	
22	RE247674	GEAR	1		X	

INPUT PLANETARY CARRIER  
 PORTE-SATELLITE D'ENTREE  
 ANTRIEBS-PLANETENTRAEGER  
 PORTASATELLITE D'INGRESSO  
 PORTADOR DEL PLANETARIO DE ENTRADA  
 HAALLARE FOER INGAAENDE PLANETVAEXEL

RXA0077629 -UN-04AUG05



RXA0077629

## 52-19

INFINITELY VARIABLE TRANSMISSION

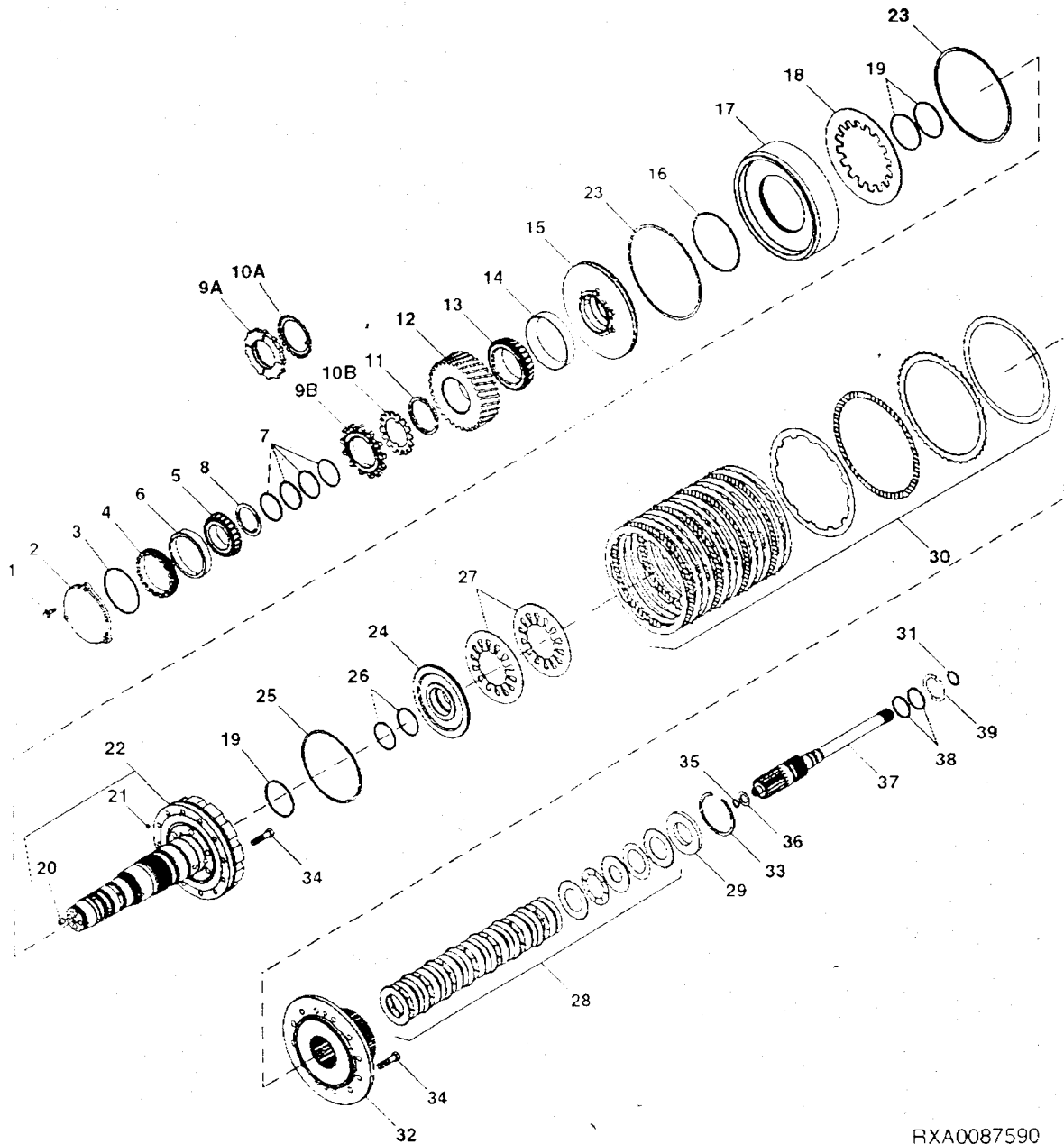
KEY	PART NO.	PART NAME	QTY.	TRANSMISSION SERIAL NO.	A L L	REMARKS
1	R209422	RING GEAR	1		X	
2	AT107510	RIVET	6		X	
3	RE246912	PINION SHAFT	3		X	
4	RE246911	PINION SHAFT	3		X	
5	R250082	BALL BEARING	1		X	
6	RE246902	PLANET PINION CARRIER	1		X	
7	R231678	BRACKET	3		X	
8	R232673	CAP SCREW	6		X	
9	R160135	PIN	6		X	
10	R231534	OIL TUBE	3		X	
11	T24653	BALL	3		X	
12	R112513	WASHER	3		X	
13	R239214	SCREW	3		X	
14	R194374	THRUST WASHER	6		X	
15	RE232317	NEEDLE BEARING	18		X	
16	R192321	PLANET PINION	6		X	
17	R192320	THRUST WASHER	6		X	
18	RE229987	PLANET PINION	3		X	
19	R228133	THRUST WASHER	2		X	
20	R228132	SUN GEAR	1		X	
21	R228130	SUN GEAR	1		X	
22	R228217	THRUST WASHER	1		X	
23	R228216	THRUST WASHER	1		X	
...	AR179948	PLANETARY ASSEMBLY	1		X	

# 52-20

INFINITELY VARIABLE TRANSMISSION

HI-LO CLUTCH ASSEMBLY  
EMBRAYAGE DE SERVOTRANSMISSION  
ZWEI-STUFEN-KUPPLUNGSBAUGRUPPE  
GRUPPO FRIZIONE GAMMA RIDOTTA/VELOCE  
CONJUNTO DE EMBRAGUE DE CAJA HI-LO  
HOEG/LAAG KOPPLINGSENHET

RXA0087590 JUN-13MAR06



RXA0087590

# 52-21

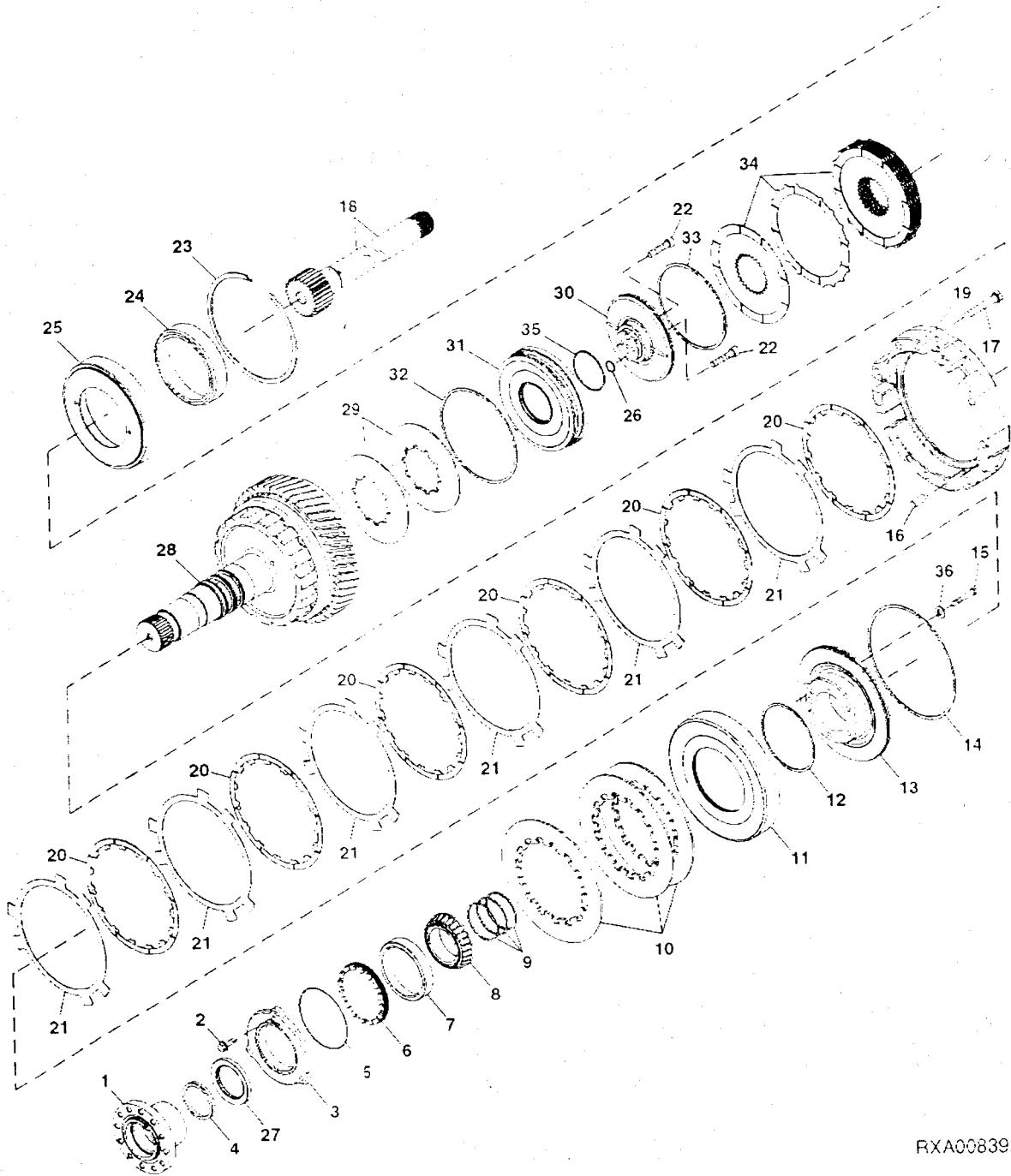
INFINITELY VARIABLE TRANSMISSION

KEY	PART NO.	PART NAME	QTY.	TRANSMISSION SERIAL NO.	A L L	REMARKS
1	19M7867	SCREW	3		X	M8 X 25. HS 10.9
2	RE214071	PLATE	1		X	
3	R235968	O-RING	1		X	
4	R205588	NUT	3		X	
5	JD7366	BEARING CONE	1		X	
6	JD8206	BEARING CUP	1		X	
7	R171705	RING	4		X	
8	R235271	THRUST WASHER	1		X	
9A	R233271	DISK	1	-000999	X	(SUB R252217)
9B	R252217	DISK	1	001000-	X	
10A	R232985	LOCK WASHER	1	-000999	X	
10B	R252218	LOCK WASHER	1	001000-	X	
11	R28213	SNAP RING	1		X	
12	R235010	GEAR	1		X	
13	JD9055	BEARING CONE	1		X	
14	JD9118	BEARING CUP	1		X	
15	R205560	PLATE	1		X	
16	R205570	SEAL	1		X	
17	R205559	PISTON	1		X	
18	R205561	DISK SPRING	1		X	
19	R214422	PACKING	3		X	
20	RE210584	PLUG	5	-000999	X	(SUB RE252354)
	RE252354	PLUG	5	001000-	X	
21	AT107509	PLUG	6		X	
22	RE247125	SHAFT	1	-000999	X	
	RE247125	SHAFT	1	001000-	X	
23	R192356	PACKING	2		X	
24	R234686	PISTON	1		X	
25	R197102	PACKING	1		X	
26	R197101	PACKING	2		X	
27	R220773	DISK SPRING	2		X	
28	RE234685	CLUTCH	1		X	(SUB RE250241)
29	R205565	PLATE	1		X	
30	RE235470	CLUTCH	1		X	(SUB RE243481)
31	R220147	SEALING RING	1		X	
32	RE234681	SUN GEAR	1		X	
33	A1160R	SNAP RING	1	-000999	X	
	R250019	SNAP RING	1	001000-	X	
34	R222323	CAP SCREW	18		X	
35	R214972	SEALING RING	1		X	
36	R215194	WASHER	1		X	
37	R244117	SHAFT	1		X	(SUB R250003)
38	R195528	RING	2		X	
39	R228124	THRUST WASHER	1		X	

TRANSMISSION OUTPUT SHAFT (W/ PARK BRAKE)  
 ARBRE DE SORTIE DE TRANSMISSION (W/ FREIN DE STATIONNEMENT)  
 GETRIEBEABTRIEBSWELLE (W/ PARKBREMSE)  
 ALBERO DI USCITA DELLA TRASMISSIONE (W/ FRENO DI STAZIONAMENTO)  
 EJE DE SALIDA DE LA TRANSMISION (W/ FRENO DE ESTACIONAMIENTO)  
 TRANSMISSIONENS UTGAARENDE AXEL (W/ PARKERINGSBROMS)

RXA0083925

-UN-08SEP05



RXA0083925

THIS PARTS LISTING IS CONTINUED

8130, 8230, 8330, 8430, 8530 TRACTORS PC9451 (06-OCT-95)  
 PN=20

KEY	PART NO.	PART NAME	QTY	TRANSMISSION SERIAL NO.	A L L	REMARKS
1	R163989	HUB	1		X	
2	19M7867	SCREW	3		X	M8 X 25. HS 10.9
3	RE214072	PLATE	1		X	
4	R119207	SEAL	1		X	
5	R235968	O-RING	1		X	
6	R205588	NUT	1		X	
7	R213317	BEARING	1		X	
8	RE213318	BEARING	1		X	
9	R205587	PISTON RING	3		X	
10	R205591	DISK SPRING	3		X	
11	R225462	PISTON	1		X	
12	R211099	PACKING	1	-001001	X	(ORDER R249577, (6) R155708 AND 6)
13	R225463	PLATE	1		X	24M7511)
	R249577	PLATE	1	001002-	X	
14	R226598	PACKING	1		X	
15	R242568	CAP SCREW	6	-001001	X	
	R155708	SELF-LOCKING SCREW	6	001002-	X	
16	R48685	DOWEL PIN	2		X	
17	R242526	CAP SCREW	12		X	
18	R205582	SHAFT	1		X	
19	R225461	HOUSING	1		X	
20	RE225460	CLUTCH DISK	6		X	
21	R225459	CLUTCH PLATE	6		X	
22	R232674	CAP SCREW	2		X	
23	R234898	SNAP RING	1		X	
24	JD7298	BEARING CUP	1		X	
25	R234804	PLATE	1		X	
26	R214972	SEALING RING	1		X	
27	RE32442	SEAL	2		X	
28	RE225851	SHAFT	1		X	
29	R194160	DISK SPRING	2		X	
30	R205578	PLATE	1		X	
31	R205577	PISTON	1		X	
32	R197102	PACKING	1		X	
33	R192695	SEAL	1		X	
34	RE214241	CLUTCH DISK	1		X	
35	R214970	PACKING	1		X	
36	24M7511	WASHER	6	001002-	X	8.400 X 15 X 1.600 MM

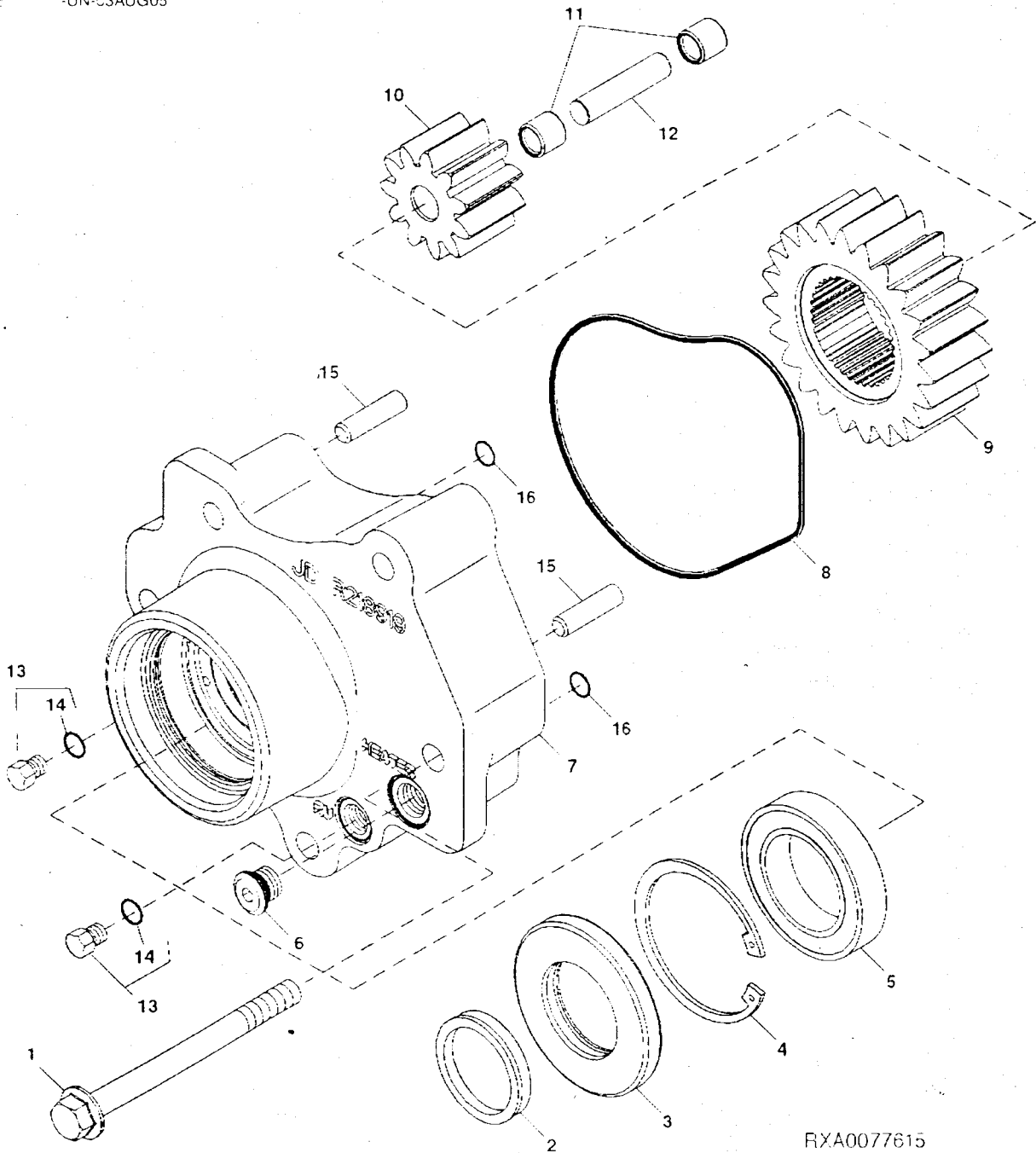


# 52-24

INFINITELY VARIABLE TRANSMISSION

SCAVENGE PUMP  
POMPE DE RECUPERATION  
SPUELPUMPE  
POMPA DI RECUPERO  
BOMBA DE BARRIDO  
SPOLPUMP

RXA0077615 -UN-03AUG05



RXA0077615

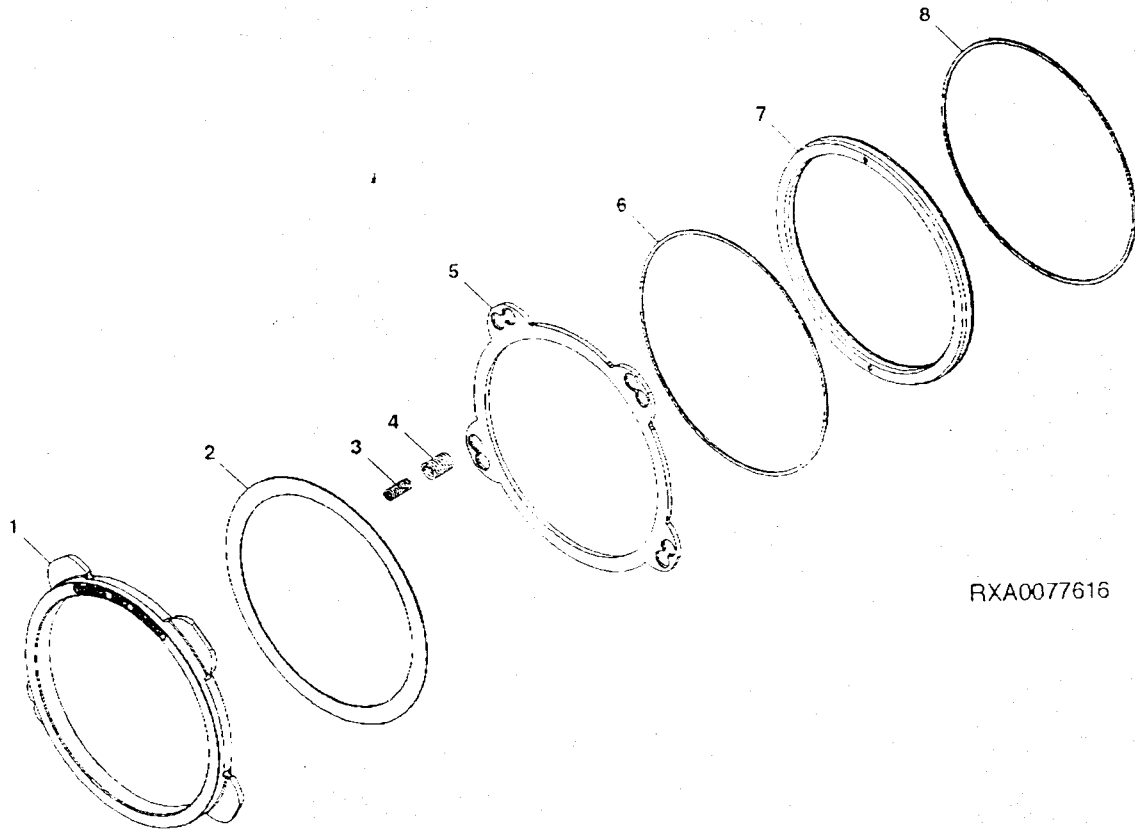
## 52-25

INFINITELY VARIABLE TRANSMISSION

KEY	PART NO.	PART NAME	QTY.	TRANSMISSION SERIAL NO	A	REMARKS
					L	
1	19M8737	SCREW	5		X	M12 X 140. HS 10.9
2	7121280	SEAL	1		X	
3	RE151144	SEAL	1		X	
4	40M7115	SNAP RING	1		X	
5	JD8568	BALL BEARING	1		X	
6	RE52242	DRAIN PLUG	1		X	
7	R218919	HOUSING	1		X	
8	R99039	O-RING	1		X	(SUB AR253244)
9	R174700	GEAR	1		X	
10	R174701	GEAR	1		X	
11	JD10116	NEEDLE BEARING	2		X	
12	R115233	SHAFT	1		X	
13	RE46684	PLUG	2		X	11.300 X 2.200 MM
14	51M7041	O-RING	1		X	
15	R28671	DOWEL PIN	2		X	6.070 X 1.780 MM
16	51M7121	O-RING	2		X	

REVERSE BRAKE  
FREIN INVERSEUR  
UMKEHRBREMSE  
INVERTITORE AD ATTRITO  
FRENO INVERSOR  
OMVÄNDRINGSBROMS

RXA0077616 LIN-05MAY05



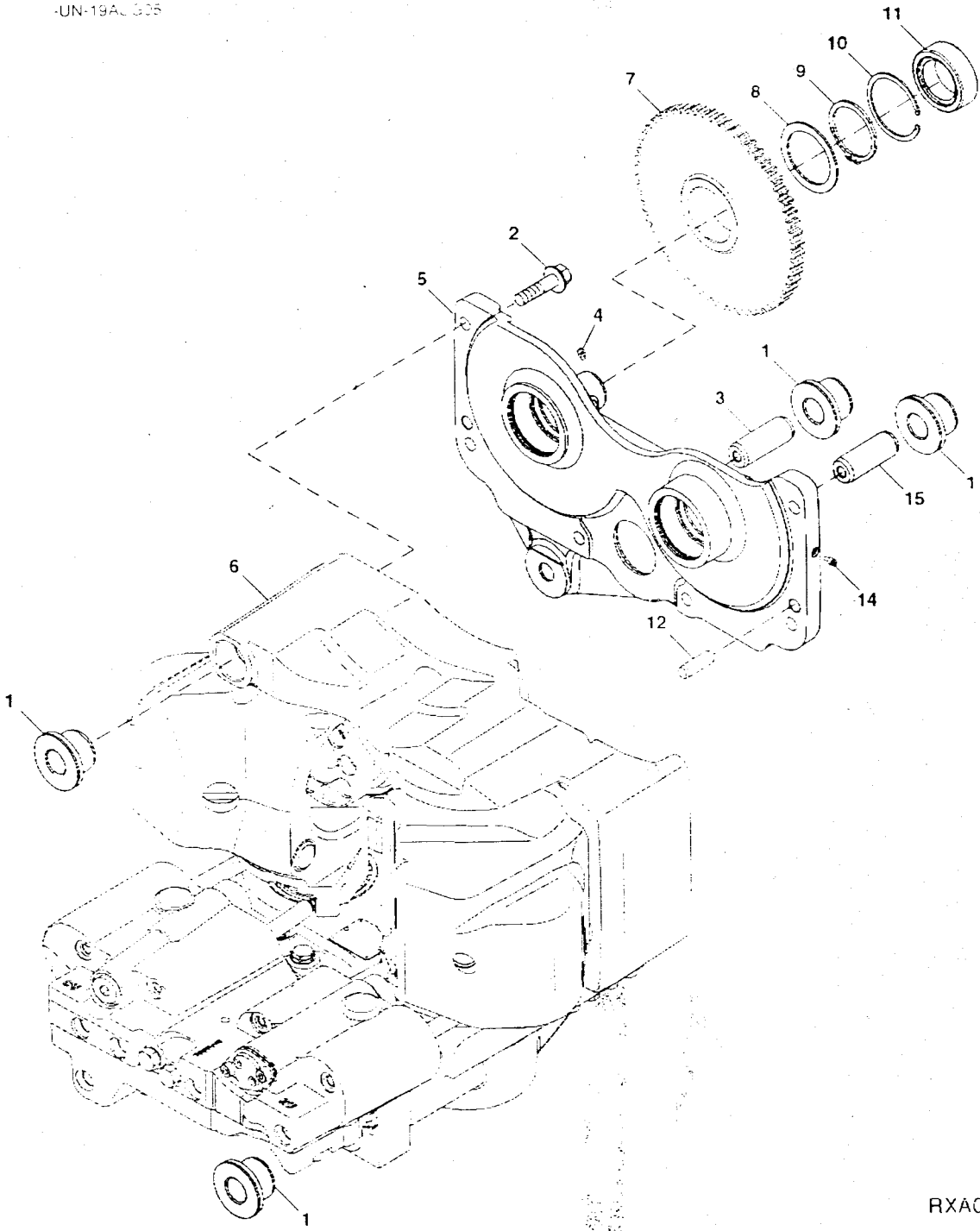
RXA0077616

THIS PARTS LISTING IS CONTINUED

KEY	PART NO.	PART NAME	QTY.	TRANSMISSION SERIAL NO.	A L L	REMARKS
1	R234437	PLATE	1		X	
2	RE235476	CLUTCH	1		X	
3	R213374	COMPRESSION SPRING	8		X	
4	R213373	COMPRESSION SPRING	8		X	
5	R205555	PLATE	1		X	
6	R216602	PACKING	1		X	
7	R220615	PISTON	1		X	
8	R216601	PACKING	1		X	

HYDROSTATIC MODULE  
MODULE HYDROSTATIQUE  
HYDROSTATIMODUL  
MODULO IDROSTATICO  
MODULO HIDROSTATICO  
HYDROSTATISK MODUL

RXA0083498 UN-19A 305



RXA008349E

THIS PARTS LISTING IS CONTINUED

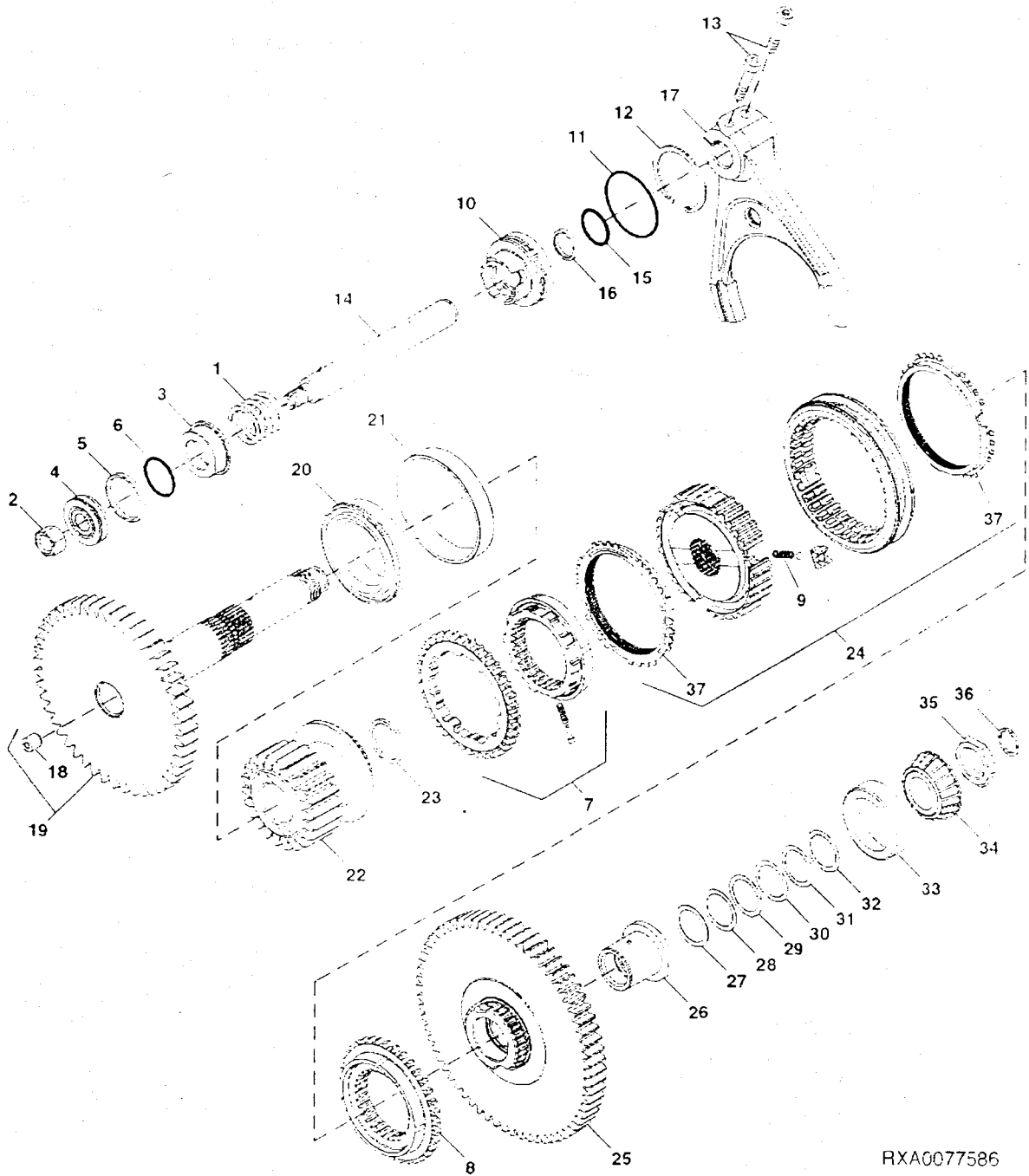
## 52-29

INFINITELY VARIABLE TRANSMISSIC

KEY	PART NO.	PART NAME	QTY.	TRANSMISSION SERIAL NO.	A		REMARKS
					L	L	
1	RE162747	ISOLATOR	4		X		
2	19M7813	SCREW	6		X		M12 X .45. HS 10.9
3	R201255	BUSHING	2		X	(A)	
4	AT107509	PLUG	2		X	(A)	
5	RE246613	HOUSING	1		X		(MARKED R218347) (INCL KEYS MARKED (A) )
6	RE227783	MODULE	1		X		
7	R241542	GEAR	2		X		
8	R95152	THRUST WASHER	2		X		
9	L78069	RING	2		X		
10	R184802	SNAP RING	2		X	(A)	
11	RE167922	CYLINDRICAL ROLLER BEARING	2		X	(A)	
12	T26565	DOWEL PIN	2		X	(A)	

CLUTCH UNIT IDLER SHAFT  
 ARBRE INTERMEDIAIRE D'UNITE D'EMBRAYAGE  
 KUPPLUNGSEINHEIT-ZWISCHENRADWELLE  
 ALBERO DI RINVIO FRIZIONE  
 EJE INTERMEDIO DEL EMBRAGUE  
 KOPPLINGSENHETENS MELLANAXEL

RXA0077586 -UN-05AUG05



RXA0077586

## 52-31

INFINITELY VARIABLE TRANSMISSION

KEY	PART NO	PART NAME	QTY	TRANSMISSION SERIAL NO.	A L L	REMARKS
1	R219638	COMPRESSION SPRING	1		X	
2	14M7435	NUT	1		X	M14
3	R229766	STOP	1		X	
4	R229765	PISTON	1		X	
5	R229768	SEAL	1		X	
6	R1225R	O-RING	1		X	
7	RE250494	SYNCHRONIZER	1		X	
8	R235409	SYNCHRONIZER	1		X	
9	R228787	COMPRESSION SPRING	3		X	
10	R229762	PLATE	1		X	
11	T118549	O-RING	1		X	
12	40M7229	SNAP RING	1		X	
13	R232675	CAP SCREW	2		X	
14	R229764	BAR	1		X	
15	R460R	O-RING	1		X	
16	R229769	SEAL	1		X	
17	R229761	FORK	1		X	
18	RE210584	PLUG	1		X	(SUB RE252354)
19	RE247124	SHAFT	1		X	
20	JD8147	BEARING CONE	1		X	
21	JD7425	BEARING CUP	1		X	
22	R228788	GEAR	1		X	
23	R47545	SNAP RING	1		X	
24	RE231064	SYNCHRONIZER	1		X	
25	R230257	GEAR	1		X	
26	R230295	BUSHING	1		X	
27	R244925	SHIM	1		X	.46MM
28	R244926	SHIM	1		X	.53MM
29	R244927	SHIM	1		X	.61MM
30	R244928	SHIM	1		X	.68MM
31	R244929	SHIM	1		X	.76MM
32	R244930	WASHER	1		X	.84MM
33	JD8267	BEARING CUP	1		X	
34	JD8295	BEARING CONE	1		X	
35	R245020	LOCK NUT	1		X	
36	R225003	SEALING RING	1		X	
37	R237177	SYNCHRONIZER	2		X	



MEMORANDA  
MEMORANDA  
MEMORANDA  
MEMORANDA  
MEMORANDA  
MEMORANDA

53-A02

DIFFERENTIAL AND REAR PTO

...EMORANDA  
MEMORANDA  
MEMORANDA  
EMORANDA  
EMORANDA  
...EMORANDA

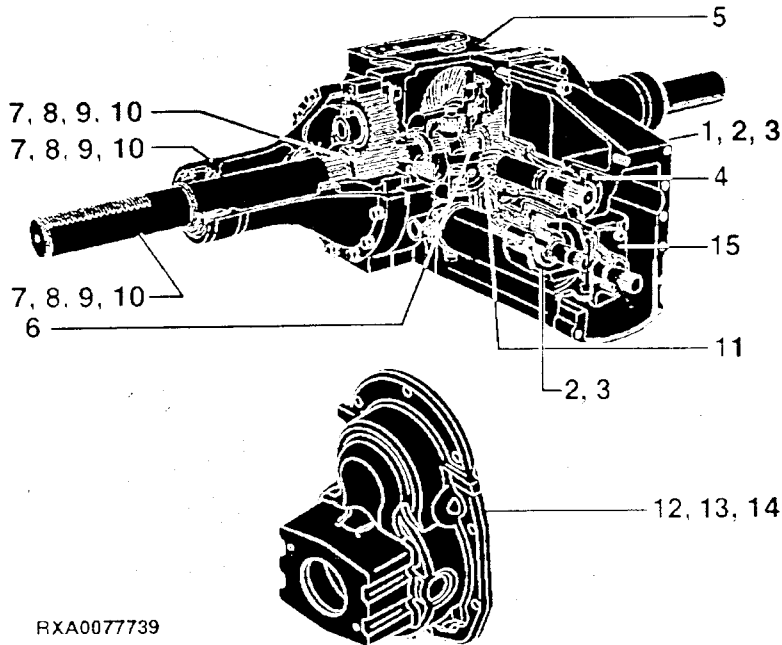
# 53-A01

DIFFERENTIAL AND REAR PT.

SECTIONAL INDEX  
 INDEX DE SECTION  
 GRUPPENINDEX  
 INDICE DELLA SEZIONE  
 INDICE DE SECCION  
 GRUPPSFORTECKNING

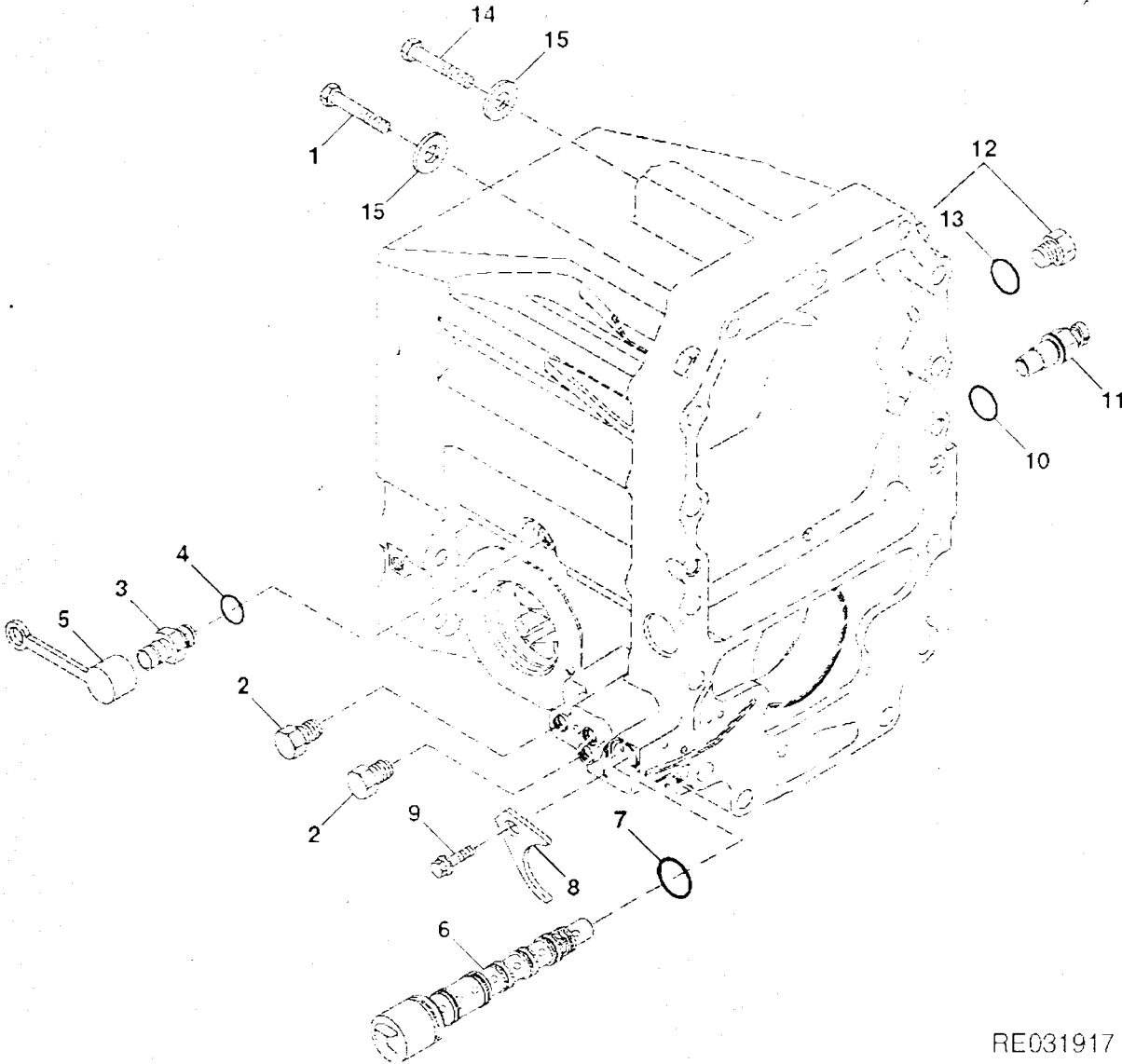
RXA0077739 -UN-

1.	14
2.	15
3.	16
4.	17
5.	18
6.	19
7.	20
8.	21
9.	22
10.	23
11.	24
12.	25
13.	26
14.	27
15.	28
16.	29
17.	30
18.	31
19.	32
20.	33
21.	34
22.	35
23.	36
24.	37
25.	38
26.	39
27.	40
28.	41
29.	42
30.	43
31.	44
32.	45
33.	46
34.	47
35.	48
36.	49
37.	50
38.	51
39.	52
40.	53
41.	54
42.	55
43.	56
44.	57
45.	58
46.	59
47.	60
48.	61
49.	62
50.	63
51.	64
52.	65
53.	66
54.	67
55.	68
56.	69
57.	70
58.	71
59.	72
60.	73
61.	74
62.	75
63.	76
64.	77
65.	78
66.	79
67.	80
68.	81
69.	82
70.	83
71.	84
72.	85
73.	86
74.	87
75.	88
76.	89
77.	90
78.	91
79.	92
80.	93
81.	94
82.	95
83.	96
84.	97
85.	98
86.	99
87.	100



MEMORANDA  
MEMORANDA  
MEMORANDA  
MEMORANDA  
MEMORANDA  
MEMORANDA

PTO VALVES AND FITTINGS  
PDF. SOUPAPES ET RACCORDS  
ZAPFWELLE, VENTILE UND VERSCHRAUBUNGEN  
PRESA DI FORZA, VALVOLE E RACCORDI  
TDF. VALVULAS Y ADAPTADORES  
KRAFTUTTAG, VENTILER OCH FOERSKRUVNINGAR  
RE031917 UN-11MAY01



RE031917

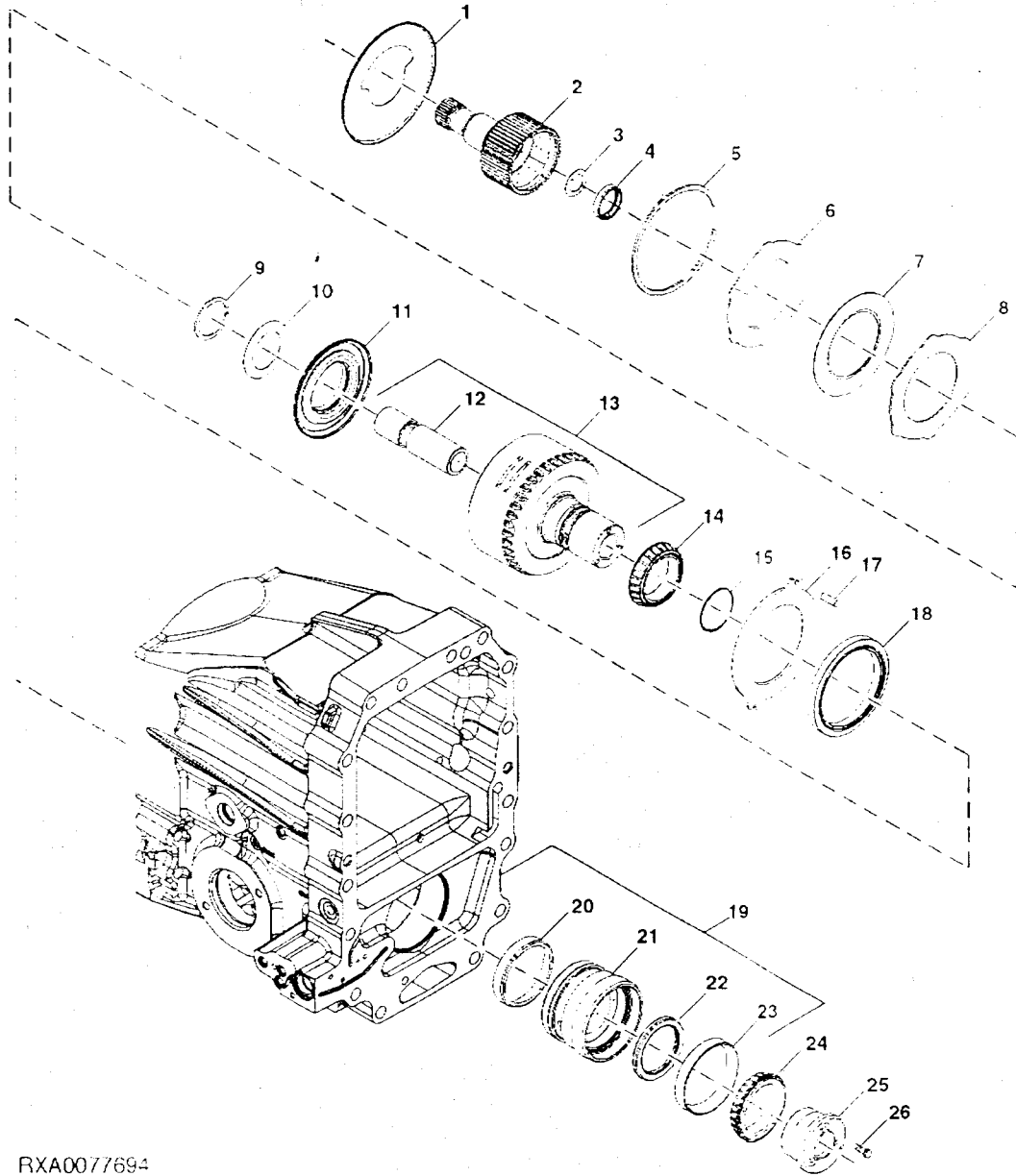
KEY	PART NO.	PART NAME	QTY	TRACTOR SERIAL NO.	A L L	REMARKS
1	19M9136	CAP SCREW	16		X	M20 X 110 HS 10.9
2	RE46684	PLUG	2		X	
3	RE190805	DIAGNOSTIC COUPLING	1		X	
4	51M7041	O-RING	1		X	11.300 X 2.200 MM
5	R77175	COVER	1		X	
6	RE203830	VALVE	1		X	
7	U41966	O-RING	1		X	
8	R95045	CLAMP	1		X	M10 X 20 HS 10.9
9	19M7166	CAP SCREW	1		X	17.300 X 2.200 MM
10	51M7044	O-RING	1		X	(B)
11	RE519144	SENSOR	1		X	(A)
12	RE517370	FITTING	1		X	(A) 17.300 X 2.200 MM
13	51M7044	O-RING	1		X	M20 X 280 HS 10.9
14	19M9155	CAP SCREW	1		X	21.400 X 42 X 5 MM
15	24M7242	WASHER	17			

(A) W/O PTO  
 W/O PDF  
 W/O ZAPFWELLE  
 W/O PTO  
 W/O TDF  
 W/O KRAFTUTTAG

(B) W PTO  
 W/ PDF  
 W/ ZAPFWELLE  
 W/ PTO  
 W/ TDF  
 W/ KRAFTUTTAG

PTO CLUTCH  
EMBRAYAGE DE LA PDF AVANT  
VORDERE ZAPFWELLE, KUPPLUNG  
FRIZIONE DELLA PTO ANTERIORE  
EMBRAGUE DE LA TDF DELANTERA  
KOPPLING FOER FRAEMRE KRAFTUTTAG

RXA0077694 UN-29SEP04



RXA0077694

THIS PARTS LISTING IS CONTINUED

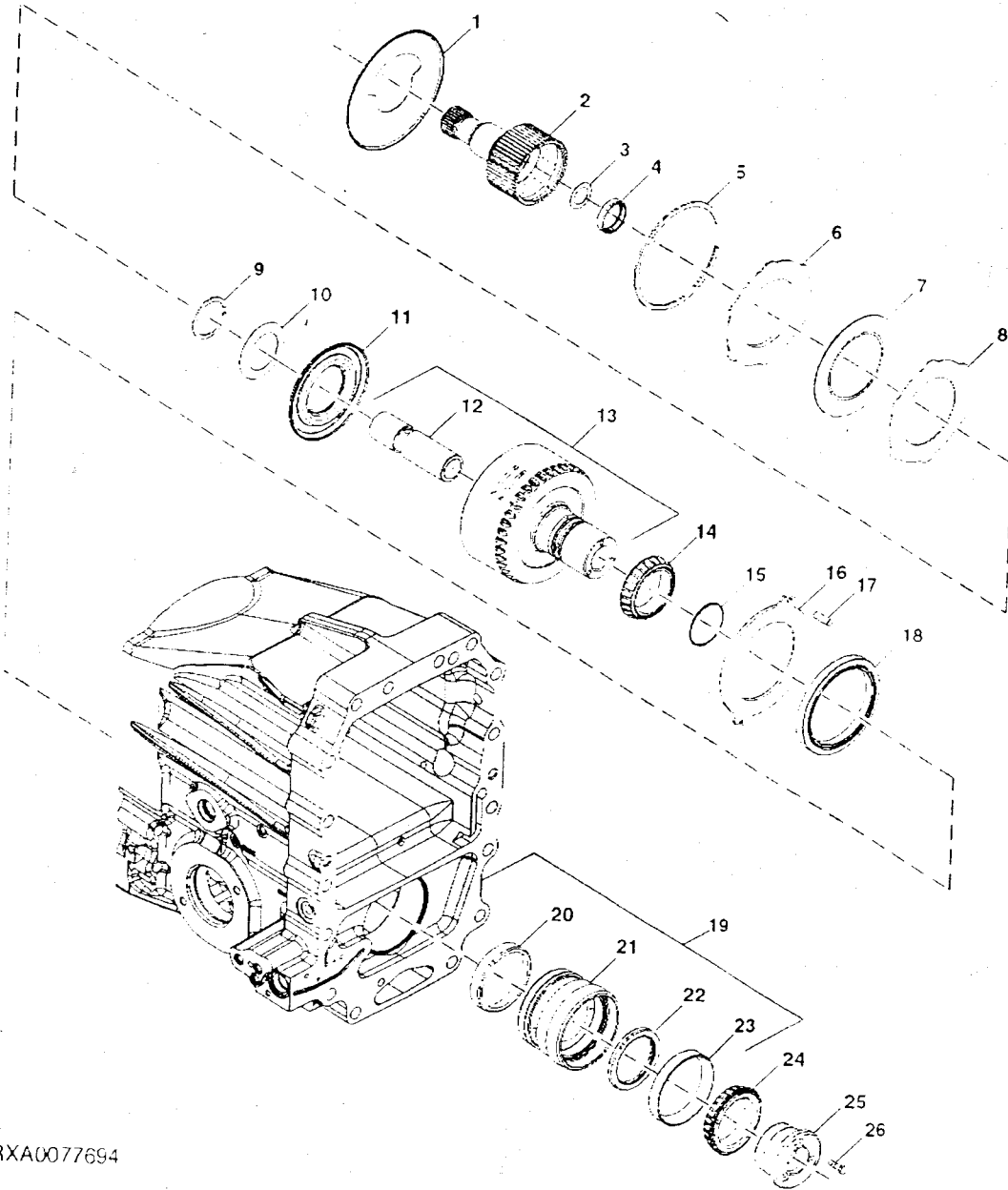
KEY	PART NO	PART NAME	QTY	TRACTOR SERIAL NO	8 8 1 2 3 3 0 0	REMARKS
1	R115403	DEFLECTOR	1		X X	
2	R213543	HUB	1		X X	
3	R119527	THRUST WASHER	1		X X	
4	JD8870	NEEDLE BEARING	1		X X	
5	R99692	SNAP RING	1		X X	
6	R108530	CLUTCH PLATE	1		X X	
7	RE239058	DISK WITH INNER SPLINE	7		X X	
8	R108507	CLUTCH PLATE	7		X X	
9	C19243	SNAP RING	1		X X	
10	R152590	DISK SPRING	5		X X (A)	
11	RE162149	PISTON	1		X X	
12	R112314	SLEEVE	1		X X	(MARKED R183622)
13	RE183927	DRUM	1		X X	
14	JD9075	BEARING CONE	1		X X	
15	R112315	RING	2		X X	
16	RE50747	BRAKE DISK	1		X X	
17	R176716	DOWEL PIN	2		X X	
18	R180303	PISTON	1		X X	(MARKED R210449)
19	RE210457	HOUSING	1	XXXXXX-	X X	(MARKED R252632)
	RE252768	HOUSING	1		X X	
20	JD9132	BEARING CUP	1		X X	
21	R115450	SLEEVE	1		X X	
22	RE69802	SEAL	1		X X	
23	JD8213	BEARING CUP	1		X X	
24	JD8177	BEARING CONE	1		X X	
25	R115451	BEARING HOUSING W.C BEARING	1		X X	M8 X 25
26	19M7163	CAP SCREW	3		X X	

(A) W/SEAL  
W/JOINT  
W/DICHTUNG  
W/GUARNIZIONE  
W/SELLO  
W/TÆTNING



PTO CLUTCH  
EMBRAYAGE DE LA PDF AVANT  
VORDERE ZAPFWELLE, KUPPLUNG  
FRIZIONE DELLA PTO ANTERIORE  
EMBRAGUE DE LA TDF DELANTERA  
KOPPLING FOER FRAEMRE KRAFTUTTAG

RXA0077694 UN-29SEPR



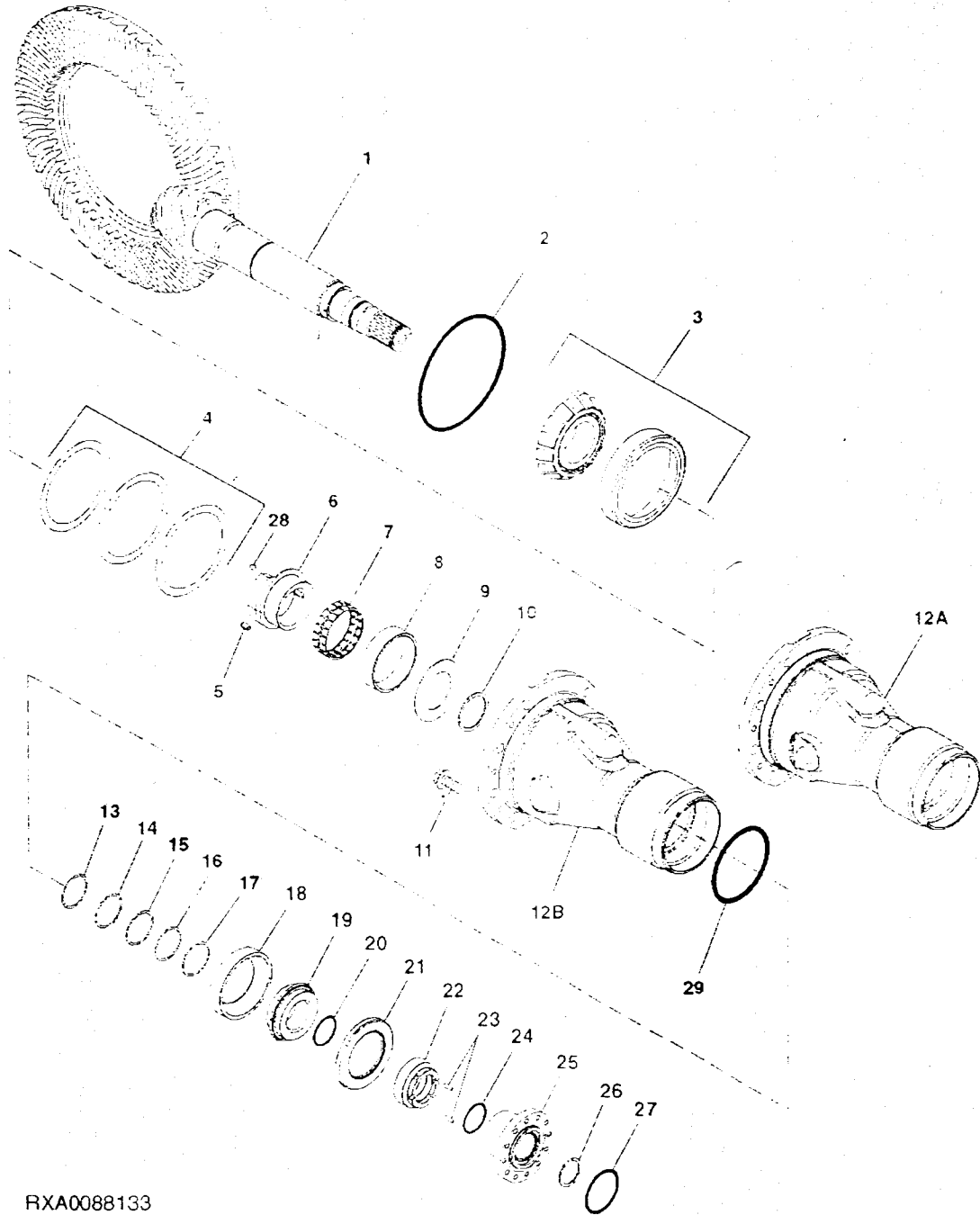
RXA0077694

KEY	PART NO.	PART NAME	QTY.	TRACTOR SERIAL NO.			REMARKS
				8 8 8	3 4 5	3 3 3	
1	R115403	DEFLECTOR	1	X	X	X	
2	R213543	HUB	1	X	X	X	
3	R119527	THRUST WASHER	1	X	X	X	
4	JD8870	NEEDLE BEARING	1	X	X	X	
5	R99692	SNAP RING	1	X	X	X	
6	R108530	CLUTCH PLATE	1	X	X	X	
7	RE239058	DISK WITH INNER SPLINE	9	X	X	X	
8	R108507	CLUTCH PLATE	9	X	X	X	
9	C19243	SNAP RING	1	X	X	X	
10	R152590	DISK SPRING	5	X	X	X	
11	RE162149	PISTON	1	X	X	X	(A)
12	R112314	SLEEVE	1	X	X	X	
13	RE154375	DRUM	1	X	X	X	(MARKED R152569)
14	JD9075	BEARING CONE	1	X	X	X	
15	R112315	RING	2	X	X	X	
16	RE50747	BRAKE DISK	1	X	X	X	
17	R176716	DOWEL PIN	2	X	X	X	
18	R180303	PISTON	1	X	X	X	
19	RE210457	HOUSING	1	-XXXXXX	X	X	(MARKED R210449)
	RE252768	HOUSING	1	XXXXXX-	X	X	(MARKED R252632)
20	JD9132	BEARING CUP	1	X	X	X	
21	R115450	SLEEVE	1	X	X	X	
22	RE69802	SEAL	1	X	X	X	
23	JD8213	BEARING CUP	1	X	X	X	
24	JD8177	BEARING CONE	1	X	X	X	
25	R115451	BEARING HOUSING W/O BEARING	1	X	X	X	
26	19M7163	CAP SCREW	3	X	X	X	M8 X 25

(A) W SEAL  
W/JOINT  
W/DICHTUNG  
W/GUARNIZIONE  
W/SELLO  
W/TÆTNING

INPUT QUILL  
 FOURREAU D'ENTREE  
 ANTRIEBS-HOHLWELLE  
 PERNO CAVO D'INGRESSO  
 MANGUITO DE ENTRADA  
 INGAAENDE HAALAXEL

RXA0088133 UN-30MAR06



RXA0088133

THIS PARTS LISTING IS CONTINUED

KEY	PART NO.	PART NAME	QTY	TRACTOR SERIAL NO	A L L	REMARKS
1	RE220472	GEAR	1		X	
2	U10624	O-RING	1		X	
3	RE64748	TAPERED ROLLER BEARING	1		X	
4	RE71396	SHIM	1		X	
5	34M7242	SPRING PIN	1		X	10 X 16 MM
6	R219031	CAM	1		X	
7	RE225627	NEEDLE BEARING	1		X	
8	R225575	BEARING RACE	1		X	
9	R225639	THRUST WASHER	1		X	
10	R114345	SNAP RING	1		X	M16 X 40
11	19M7793	SCREW	7		X	
12A	R212020	BEARING HOUSING W/O BEARING	1	-XXXXXX	X	
12B	R252639	BEARING HOUSING W/O BEARING	1	XXXXXX-	X	
	R252639	BEARING HOUSING W/O BEARING	1		X	(A) (VT ILS)(50K)
13	R58258	SHIM	1		X	
14	R58257	SHIM	1		X	
15	R58256	SHIM	1		X	
16	R58255	SHIM	1		X	
17	R229673	SHIM	1		X	
18	JD10227	BEARING CUP	1		X	
19	JD10226	BEARING CONE	1		X	
20	U42111	O-RING	1		X	
21	RE213556	SEAL	1		X	
22	R213554	NUT	1		X	
23	R116713	NEEDLE ROLLER	2		X	
24	P50631	O-RING	1		X	
25	R213544	YOKE	1		X	
26	P46770	SNAP RING	1		X	
27	U44496	O-RING	1		X	
28	405R	BALL	1		X	
29	R238072	O-RING	1		X	

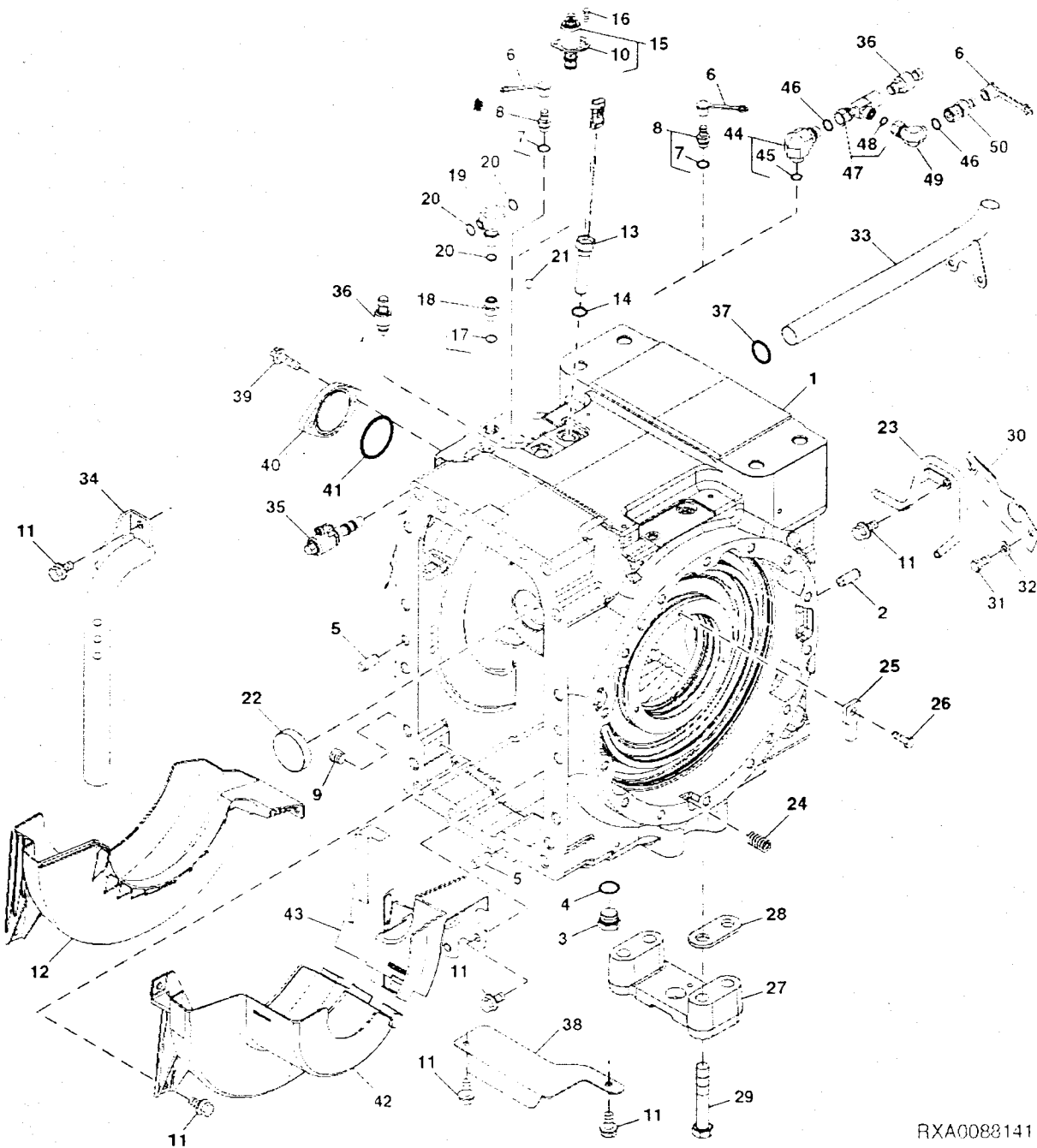
(A) EUROPEAN VERSION  
 VERSION EUROPEENNE  
 EUROPÄISCHE AUSFUEHRUNG  
 VERSIONE EUROPEA  
 VERSION EUROPEA  
 EUROPEISK VERSION

# 53-10

DIFFERENTIAL AND REAR PTO

DIFFERENTIAL CASE  
CARTER DE DIFFERENTIEL  
DIFFERENTIALGEHAEUSE  
SCATOLA DEL DIFFERENZIALE  
CAJA DEL DIFERENCIAL  
DIFFERENTIALKAAPA

RXA0088141 UN-04APR06



RXA0088141

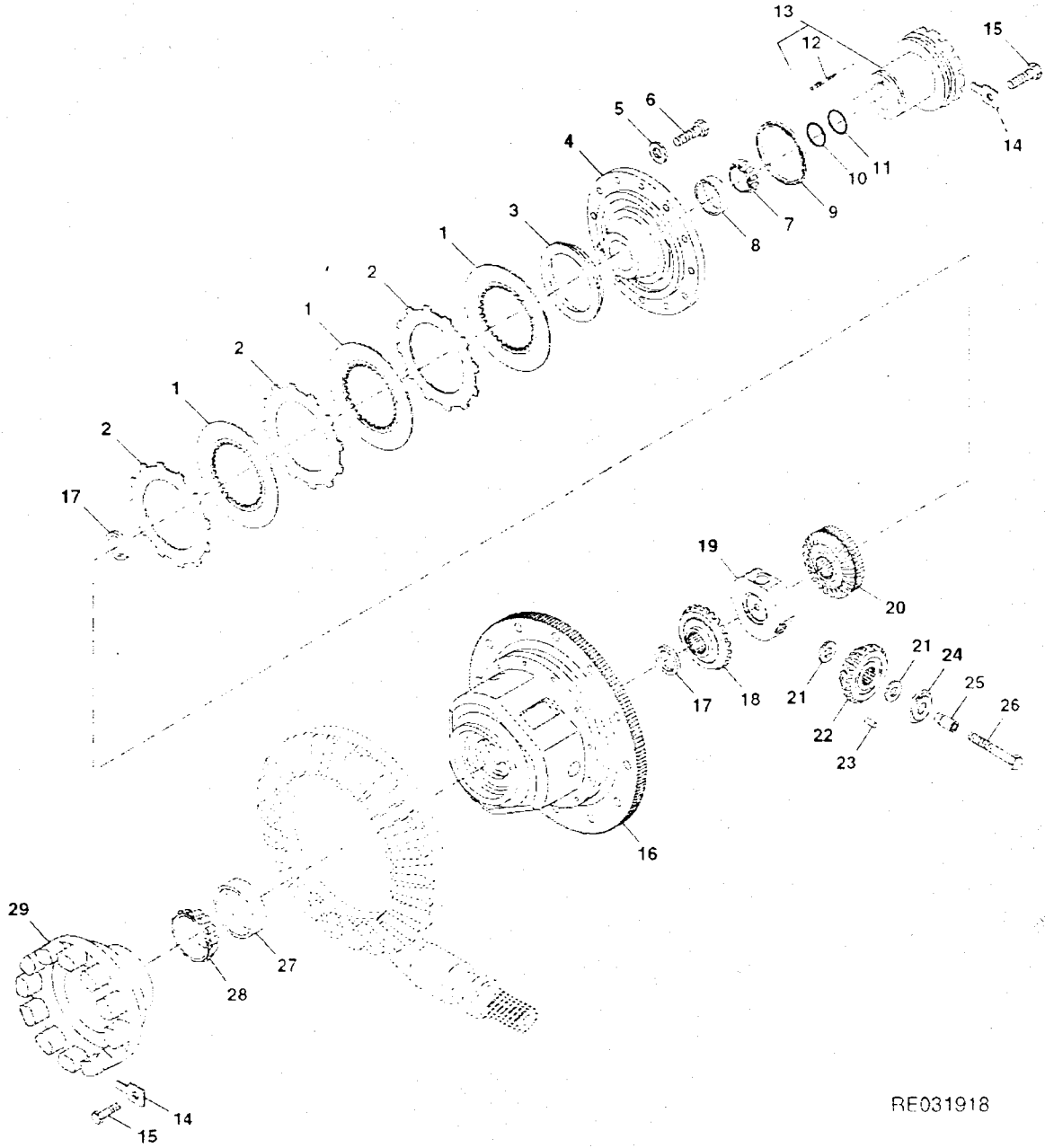
THIS PARTS LISTING IS CONTINUED

KEY	PART NO	PART NAME	QTY	TRACTOR SERIAL NO.	A L L	REMARKS
1	RE210466	CASE	1		X	(MARKED R210448) (SUB RE245420)
	RE221694	CASE	1		X	(A) (MARKED R213388) (SUB RE245421)
	RE252959	CASE	1		X	(A) (MARKED R252955) (IVT/ILS)(50K)
2	R54380	DOWEL PIN	2		X	
3	R84262	FITTING PLUG	1		X	
4	F3171R	O-RING	1		X	
5	R54380	DOWEL PIN	2		X	
6	R77175	COVER	3		X	
7	51M7041	O-RING	2		X	
8	RE190805	DIAGNOSTIC COUPLING	2		X	
9	R121580	PIPE PLUG	1		X	
10	R211082	CLAMP	1		X	
11	R112885	SCREW	10		X	
12	RE226359	DEFLECTOR	1	-XXXXXX	X	(SUB RE249767 AND RE252690)
13	RE196310	SENSOR	2		X	
14	R375R	O-RING	1		X	
15	RE211157	SOLENOID VALVE	1		X	
16	19M7560	CAP SCREW	2		X	M6 X 16
17	51M7043	O-RING	1		X	
18	38H5003	ADAPTER FITTING	1		X	
19	38H5059	TEE FITTING	1		X	
20	T77857	O-RING	3		X	
21	R42849	BALL	2		X	
22	R82007	PLUG	1		X	
23	RE243409	OIL TUBE	1		X	
24	R232883	COMPRESSION SPRING	6		X	
25	R109822	LOCK PLATE	2		X	
26	R88246	CAP SCREW	2		X	
27	R108298	SUPPORT	1		X	
28	R121788	STRAP	2		X	
29	19M7883	SCREW	4		X	M20 X 120, HS 10.9
30	R220593	DEFLECTOR	1		X	
31	19M9320	CAP SCREW	1		X	M12 X 25, HS 10.9
32	24M7234	WASHER	1		X	13 X 25 X 3 MM
33	RE243951	OIL TUBE	1		X	
34	RE243948	OIL TUBE	1		X	
35	RE163491	SOLENOID VALVE	1		X	
36	RE179984	PRESSURE SENSOR	2		X	
37	R158523	O-RING	1		X	
38	R243982	DEFLECTOR	1		X	
39	19M7866	SCREW	2		X	M8 X 20, HS 10.9
40	R244439	PLATE	1		X	
41	F1870R	O-RING	1		X	
42	RE249767	DEFLECTOR	1	XXXXXX-	X	(A) (IVT/ILS)(50K)
	RE249767	DEFLECTOR	1		X	
43	RE252690	DEFLECTOR	1	XXXXXX-	X	(A) (IVT/ILS)(50K)
	RE252690	DEFLECTOR	1		X	(A) (IVT/ILS)(50K)
44	38H5016	ELBOW FITTING	1		X	(A) (IVT/ILS)(50K)
45	51M7041	O-RING	1		X	(A) (IVT/ILS)(50K)
46	T77613	O-RING	2		X	(A) (IVT/ILS)(50K)
47	RE187024	TEE FITTING	1		X	(A) (IVT/ILS)(50K)
48	T77613	O-RING	1		X	(A) (IVT/ILS)(50K)
49	38H1094	ELBOW FITTING	1		X	(A) (IVT/ILS)(50K)
50	RE60701	DIAGNOSTIC COUPLING	1		X	(A) (IVT/ILS)(50K)
	TY16021	SEALANT	1		X	

(A) EUROPEAN VERSION  
 VERSION EUROPEENNE  
 EUROPÄISCHE AUSFÜHRUNG  
 VERSIONE EUROPEA  
 VERSION EUROPEA  
 EUROPEISK VERSION

DIFFERENTIAL  
DIFFERENTIAL  
DIFFERENTIAL  
DIFFERENZIALE  
DIFFERENTIAL  
DIFFERENTIAL

RE031918 UN-24APR01



RE031918

## 53-13

DIFFERENTIAL AND REAR PTC

KEY	PART NO.	PART NAME	QTY.	TRACTOR SERIAL NO.	A L L	REMARKS
1	RE64004	DISK WITH INNER SPLINE	3		X	
2	R109486	CLUTCH DISK	3		X	
3	R109483	PISTON	1		X	
4	R109481	COVER	1		X	
5	R135543	WASHER	12		X	
6	R119211	SELF-LOCKING SCREW	12		X	M16 X 60, HS 10.9
7	JD9069	BEARING CONE	1		X	
8	JD9127	BEARING CUP	1		X	
9	R119126	RING	2		X	
10	R59384	O-RING	1		X	
11	R84609	O-RING	1		X	
12	AT107509	PLUG	1		X	
13	RE64806	BEARING HOUSING W/O BEARING	1		X	MARKED R109487)
14	R109822	LOCK PLATE	2		X	
15	R88246	CAP SCREW	2		X	M8 X 16
16	R174118	HOUSING	1		X	
17	R99466	THRUST WASHER	2		X	
18	R109489	BEVEL GEAR	1		X	
19	R129557	HUB	1		X	
20	R128328	GEAR	1		X	
21	R68167	WASHER	6		X	
22	R134733	PINION	3		X	
23	R55081	NEEDLE ROLLER	54		X	
24	R68166	THRUST WASHER	3		X	
25	R115566	SHAFT	3		X	
26	R115567	SCREW	3		X	M10 X 120, HS 10.9
27	JD8214	BEARING CUP	1		X	
28	JD8191	BEARING CONE	1		X	
29	R111410	BEARING HOUSING W/O BEARING	1		X	

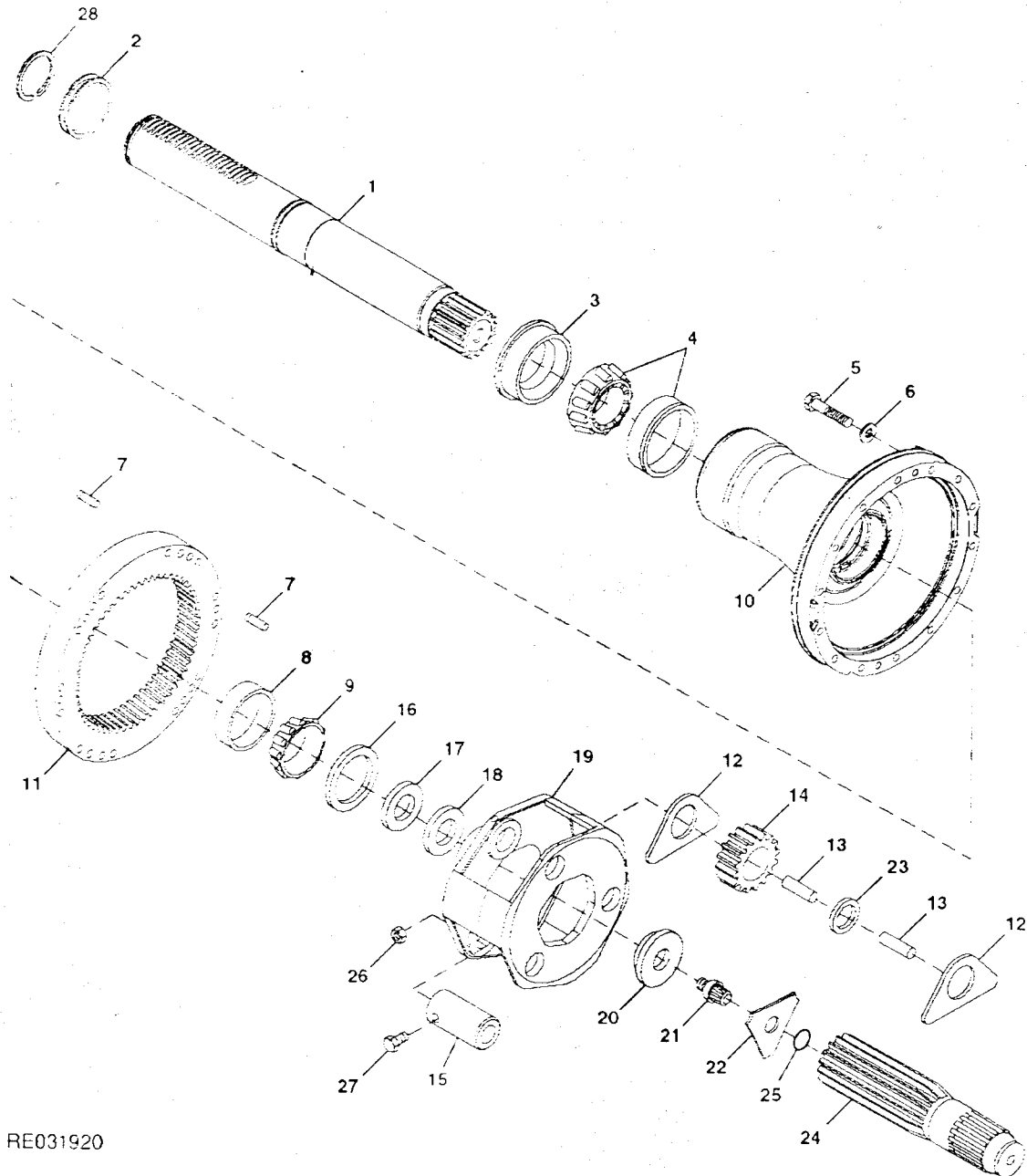


# 53-14

DIFFERENTIAL AND REAR PTO

PLANETARY AND AXLE SHAFT (8130) (100MM)  
PLANETAIRE ET ARBRE D'ESSIEU (8130) (100MM)  
PLANETENGETRIEBE UND ACHSWELLE (8130) (100MM)  
GRUPPO PLANETARIO ED ALBERO DELL'ASSALE (8130) (100MM)  
PLANETARIO Y EJE (8130) (100MM)  
PLANETVAEXEL OCH AXEL (8130) (100MM)

RE031920 UN-05JUL83



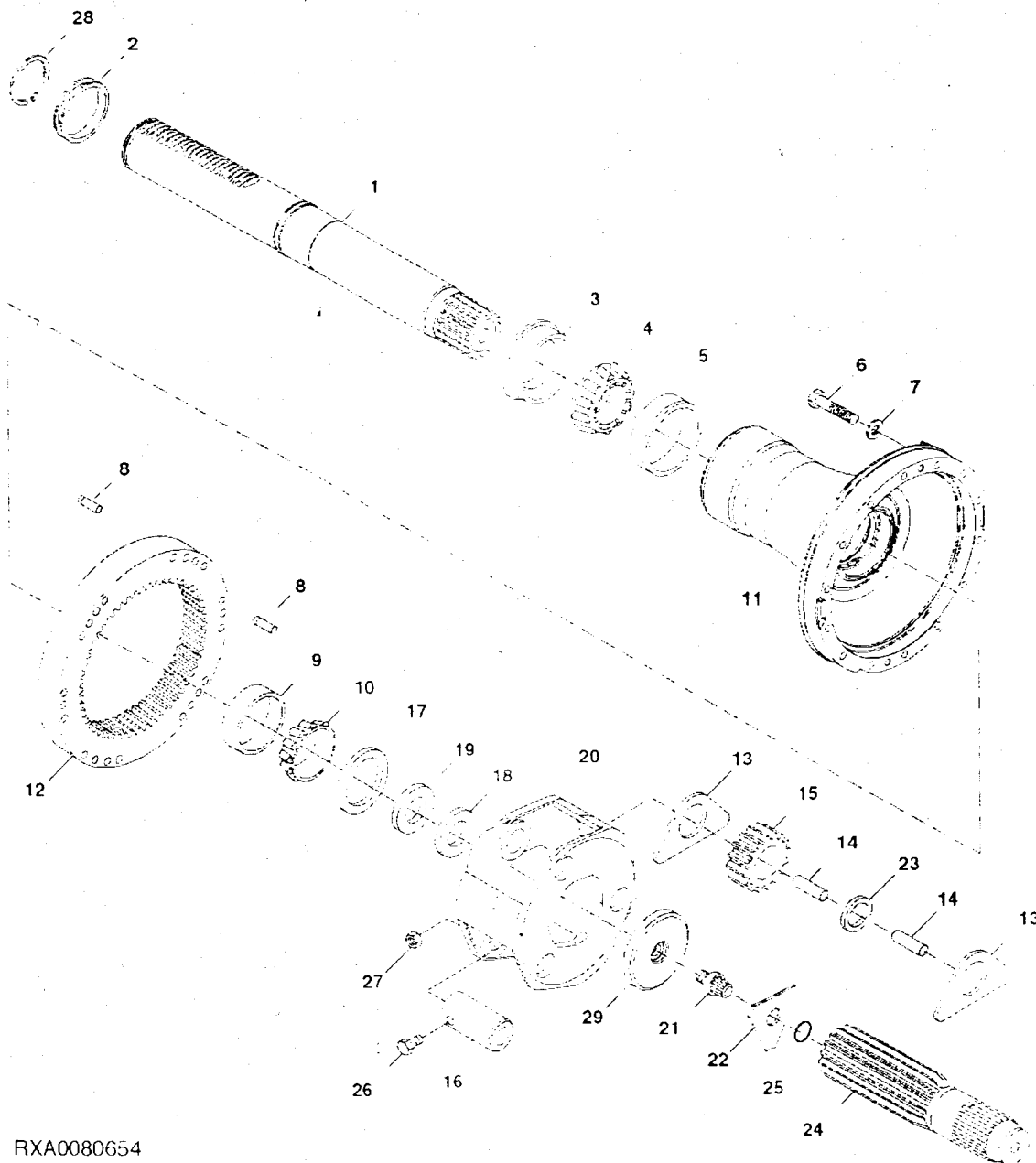
RE031920

THIS PARTS LISTING IS CONTINUED

KEY	PART NO.	PART NAME	QTY	TRACTOR SERIAL NO			REMARKS
				8	1	3	
				0			
1	R153613	SHAFT	2				X (1042 X 100MM)
	R153614	SHAFT	2				X (1144 X 100MM)
2	RE168641	SEAL	2				X
3	R112071	BUSHING	2				X
4	RE50957	TAPERED ROLLER BEARING	2				X
5	19M8622	CAP SCREW	28				X M16 X 160, HS 12.9
6	R135543	WASHER	28				X
7	R54380	DOWEL PIN	8				X
8	JD824E	BEARING CUP	2				X
9	JD9018	BEARING CONE	2				X
10	R156485	HOUSING	2				X
11	R157061	RING GEAR	2				X
12	R121239	THRUST WASHER	12				X (SUB AR253240)
13	R94655	NEEDLE ROLLER	408				X
14	R157059	PLANET PINION	6				X
15	R125069	PINION SHAFT	6				X
16	R52389	SHIM	2				X
17	R59439	SHIM	8				X 0.13 MM
	R59440	SHIM	4				X 0.51 MM
	R61461	SHIM	4				X 0.076 MM
	R79989	SHIM	6				X 0.178 MM
18	F2380R	WASHER	2				X
19	R153619	PLANET PINION CARRIER	2				X
20	R110303	SPACER	2				X
21	R81162	BOLT	2				X
22	R94545	LOCK PLATE	2				X
23	R160837	SPACER	6				X
24	R157057	PINION	2				X
25	F3171R	O-RING	2				X
26	14M7452	LOCK NUT	6				X
27	R182695	BOLT	6				X
28	R59843	SNAP RING	2				X 100 MM

PLANETARY AND AXLE SHAFT (8130,8230,8330)(110MM)  
 PLANETAIRE ET ARBRE D'ESSIEU (8130,8230,8330)(110MM)  
 PLANETENGETRIEBE UND ACHSWELLE (8130,8230,8330)(110MM)  
 GRUPPO PLANETARIO ED ALBERO DELL'ASSALE (8130,8230,8330)(110MM)  
 PLANETARIO Y EJE (8130,8230,8330)(110MM)  
 PLANETVAEXEL OCH AXEL (8130,8230,8330)(110MM)

RXA0080654 -UN-04MAY05



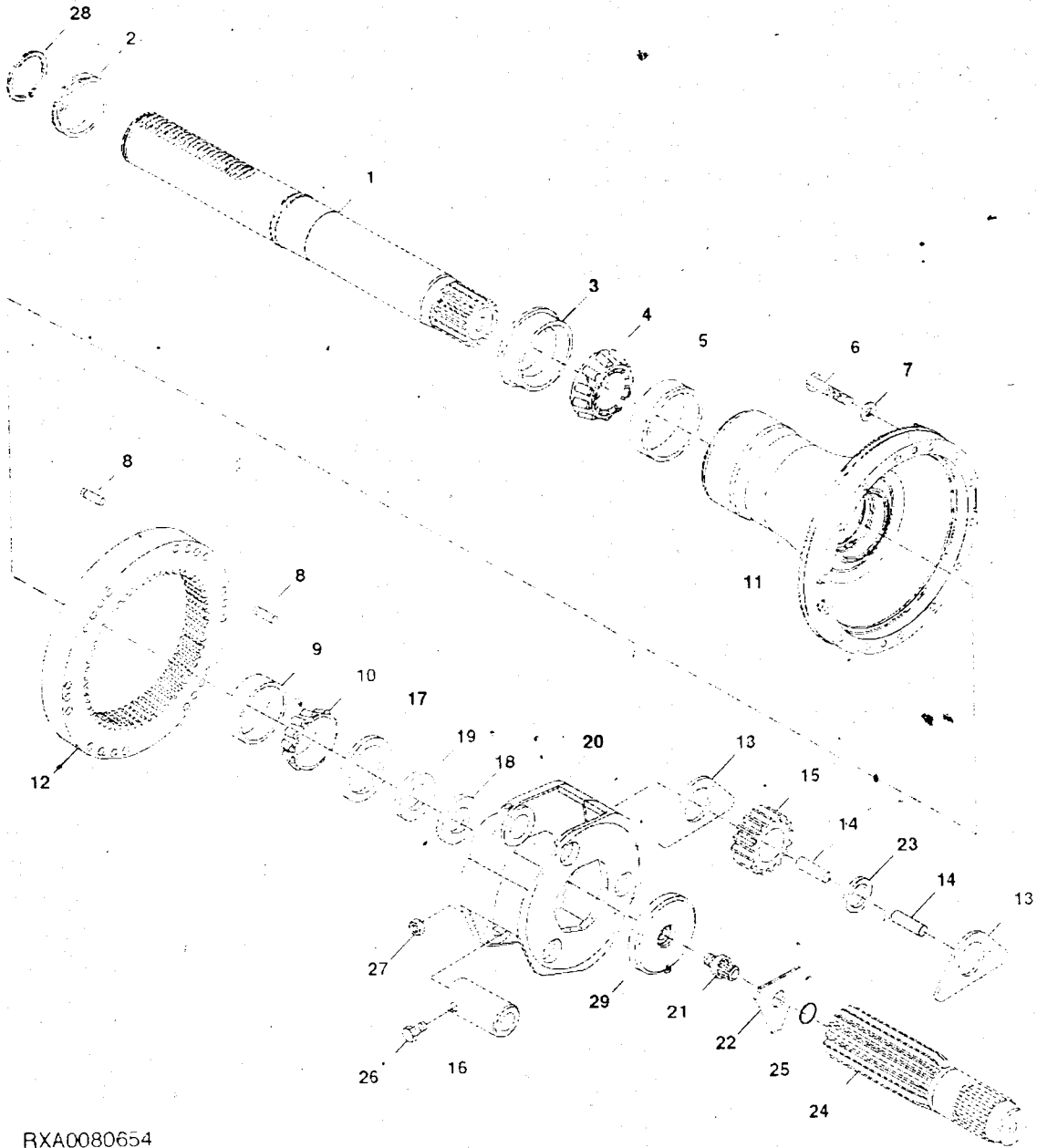
RXA0080654

THIS PARTS LISTING IS CONTINUED

KEY	PART NO.	PART NAME	QTY.	TRACTOR SERIAL NO.			REMARKS
				8 8 8	1 2 3	3 3 3	
				0 0 0			
1	R174225	SHAFT	2		X X X	(857 X 110MM)	
	R174226	SHAFT	2		X X X	(1111 X 110MM)	
2	RE168641	SEAL	2		X X X		
3	R111904	BUSHING	2		X X X		
4	JD10134	BEARING CONE	2		X X X		
5	JD10135	BEARING CUP	2		X X X		
6	19M8190	CAP SCREW	23		X X X	M16 X 180, HS 12.9	
7	R135543	WASHER	28		X X X		
8	R54380	DOWEL PIN	8		X X X		
9	JD9127	BEARING CUP	2		X X X		
10	JD9069	BEARING CONE	2		X X X		
11	R156486	HOUSING	2		X X X		
12	R157062	RING GEAR	2		X X X	(SUB AR253240)	
13	R121239	THRUST WASHER	12		X X X		
14	R94655	NEEDLE ROLLER	408		X X X		
15	R157059	PLANET PINION	1		X		
	R198697	PLANET PINION	1		X X X		
16	R125069	PINION SHAFT	2		X X X		
17	R63237	SHIM	8		X X X		
18	R59439	SHIM	4		X X X		
	R59440	SHIM	4		X X X		
	R61461	SHIM	8		X X X		
	R79989	SHIM	2		X X X		
19	F2380R	WASHER	2		X X X		
20	R153621	PLANET PINION CARRIER	2		X X X	0.940" X 2", HS SAE 8	
21	R81162	BOLT	2		X X X		
22	R69549	PLATE	1		X X X		
23	R160837	SPACER	1		X X	(MARKED R157058)	
24	R157058	PINION	1		X X X	(MARKED R193155)	
	R193155	PINION SHAFT	1		X X X		
25	F3171R	O-RING	1		X X X		
26	R182695	BOLT	1		X X X	MB	
27	14M7452	LOCK NUT	1		X X X		
28	R71975	SNAP RING	1		X X X		
29	R186804	RETAINER	1		X X X		

PLANETARY AND AXLE SHAFT (8130.8230.8330)(120MM)  
 PLANETAIRE ET ARBRE D'ESSIEU (8130.8230.8330)(120MM)  
 PLANETENGETRIEVE UND ACHSWELLE (8130.8230.8330)(120MM)  
 GRUPPO PLANETARIO ED ALBERO DELL'ASSALE (8130.8230.8330)(120MM)  
 PLANETARIO Y EJE (8130.8230.8330)(120MM)  
 PLANETVAEXEL OCH AXEL (8130.8230.8330)(120MM)

RXA0080654 UN-04MAY05



RXA0080654

THIS PARTS LISTING IS CONTINUED

8130. 8230. 8330. 8430. 8530 TRACTORS PC9451 108-AUG-05  
 PN=450

# 53-19

DIFFERENTIAL AND REAR P

KEY	PART NO.	PART NAME	QTY.	TRACTOR SERIAL NO.			REMARKS
				8 8 8	1 2 3	3 3 3	
				0 0 0			
1	R168164	SHAFT	2	X X X			(824 X 120MM)
	R168165	SHAFT	2	X X X			(1111 X 120MM)
2	RE191816	SEAL	2	X X X			
3	R168163	BUSHING	2	X X X			
4	RE23513	BEARING CONE	2	X X X			
5	JD8297	BEARING CUP	2	X X X			
6	19M8190	CAP SCREW	28	X X X			M16 X 180. HS 12.9
7	R135543	WASHER	28	X X X			
8	R54380	DOWEL PIN	8	X X X			
9	JD9127	BEARING CUP	2	X X X			
10	JD9069	BEARING CONE	2	X X X			
11	R168166	HOUSING	2	X X X			
12	R157062	RING GEAR	2	X X X			
13	R121239	THRUST WASHER	12	X X X			(SUB AR253240)
14	R94655	NEEDLE ROLLER	408	X X X			
15	R157059	PLANET PINION	6	X X			
	R198697	PLANET PINION	6	X			
16	R125069	PINION SHAFT	6	X X X			
17	R63237	SHIM	2	X X X			
18	R59439	SHIM	8	X X X			
	R59440	SHIM	4	X X X			
	R61461	SHIM	2	X X X			
	R79989	SHIM	6	X X X			
19	F2380R	WASHER	2	X X X			
20	R153621	PLANET PINION CARRIER	2	X X X			
21	R81162	BOLT	2	X X X			0.940" X 2". HS SAE 8
22	R69549	PLATE	2	X X X			
23	R160837	SPACER	6	X X X			
24	R157058	PINION	2	X X			(MARKED R157058)
	R193155	PINION SHAFT	2	X			(MARKED R193155)
25	F3171R	O-RING	2	X X X			
26	R182695	BOLT	6	X X X			
27	14M7452	LOCK NUT	6	X X X			M8
28	R168162	SNAP RING	2	X X X			
29	R186804	RETAINER	2	X X X			

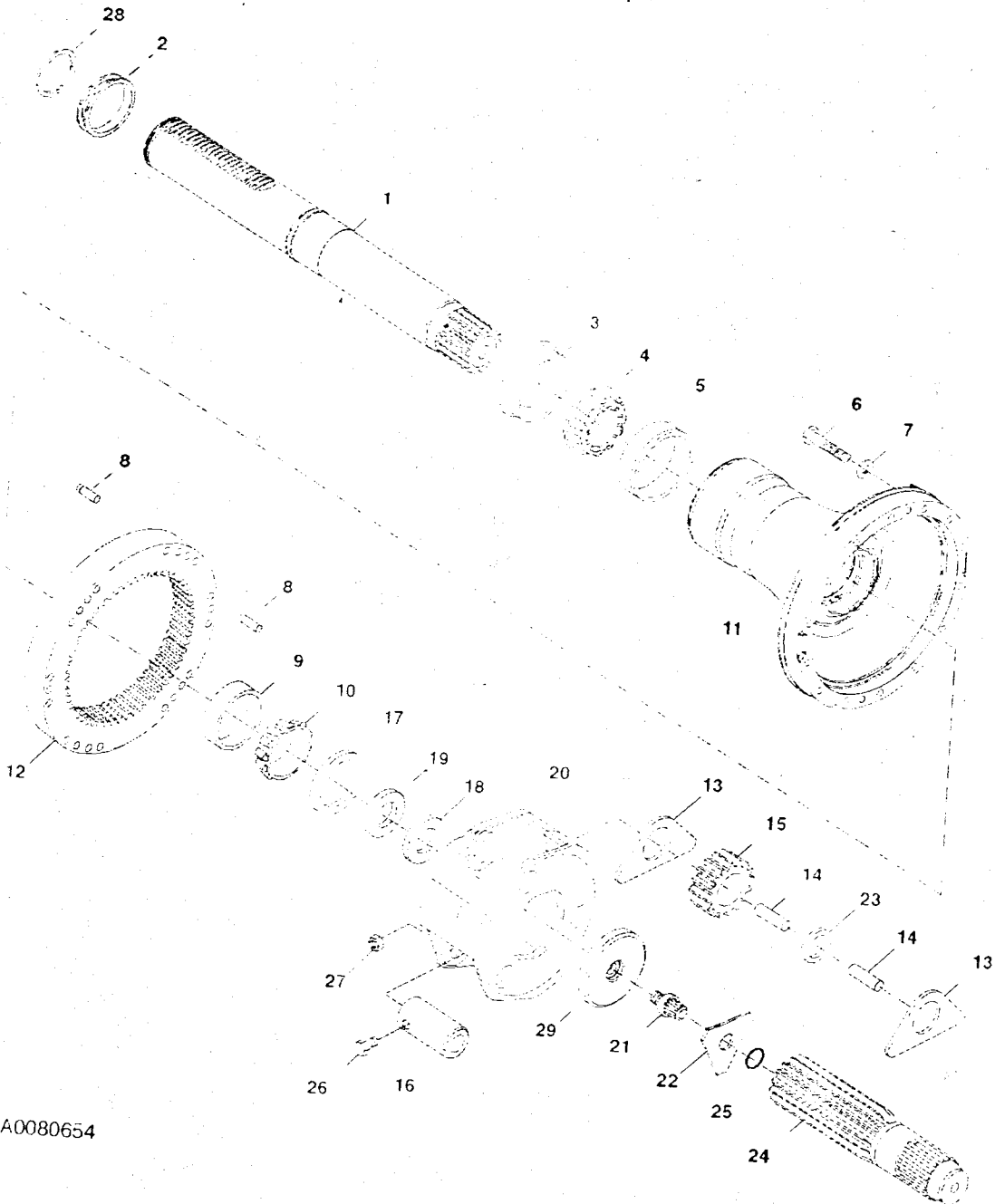
# 53-20

DIFFERENTIAL AND REAR PTO

PLANETARY AND AXLE SHAFT (8430,8530)(120MM)  
PLANETAIRE ET ARBRE D'ESSIEU (8430,8530)(120MM)  
PLANETENGETRIEVE UND ACHSWELLE (8430,8530)(120MM)  
GRUPPO PLANETARIO ED ALBERO DELL'ASSALE (8430,8530)(120MM)  
PLANETARIO Y EJE (8430,8530)(120MM)  
PLANETVAEXEL OCH AXEL (8430,8530)(120MM)

RXA0080654

-UN-04MAY05



RXA0080654

THIS PARTS LISTING IS CONTINUED

# 53-21

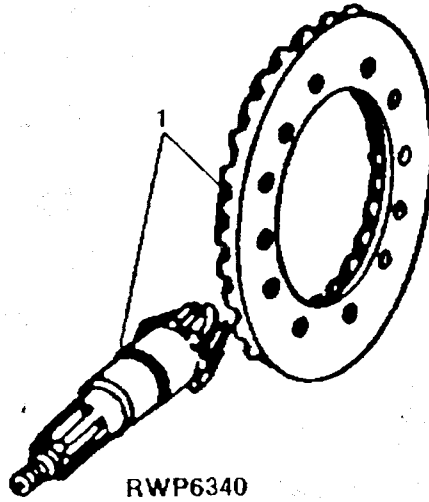
DIFFERENTIAL AND REAR PT

KEY	PART NO.	PART NAME	QTY.	TRACTOR		REMARKS
				SERIAL NO.		
					8 8	
					4 5	
					3 3	
					0 0	
1	R168164	SHAFT	2			X X (824 X 120MM)
	R168165	SHAFT	2			X X (1111 X 120MM)
2	RE191816	SEAL	2			X X
3	R168163	BUSHING	2			X X
4	RE23513	BEARING CONE	2			X X
5	JD8297	BEARING CUP	2			X X
6	19M8190	CAP SCREW	28			X X M16 X 180. HS 12.9
7	R135543	WASHER	28			X X
8	R54380	DOWEL PIN	8			X X
9	JD9127	BEARING CUP	2			X X
10	JD9069	BEARING CONE	2			X X
11	R168166	HOUSING	2			X
	R230471	HOUSING	2			X
12	R157062	RING GEAR	2			X
	R225174	RING GEAR	2			X
13	R121239	THRUST WASHER	12			X X (SUB AR253240)
14	R63575	NEEDLE ROLLER	408			X
	R94655	NEEDLE ROLLER	408			X
15	R198697	PLANET PINION	6			X
	R198701	PLANET PINION	6			X
16	R125069	PINION SHAFT	6			X
	R125070	PINION SHAFT	6			X
17	R63237	SHIM	2			X X
18	R59439	SHIM	8			X X
	R59440	SHIM	4			X X
	R61461	SHIM	2			X X
	R79989	SHIM	6			X X
19	F2380R	WASHER	2			X X
20	R153620	PLANET PINION CARRIER	2			X
	R153621	PLANET PINION CARRIER	2			X
21	R81162	BOLT	2			X X 0.940" X 2". HS SAE 8
22	R69549	PLATE	2			X X
23	R160837	SPACER	6			X X
24	R193155	PINION SHAFT	2			X X
25	F3171R	O-RING	2			X X
26	R182695	BOLT	6			X X
27	14M7452	LOCK NUT	6			X X M8
28	R168162	SNAP RING	2			X X
29	R186804	RETAINER	2			X X



SPIRAL BEVEL WITH SHAFT  
 ENGRENAGE HELICOIDAL AVEC ARBRE  
 SCHRAEGERZAHNTES KEGELRAD MIT WELLE  
 INGRANAGGIO CONICO SPIROIDALE CON ALBERO  
 ENGRANAJE HELICOIDAL CONICO CON EJE  
 KONISKT KUGGHJUL MED AXEL

RWP6340 UN-01JAN94

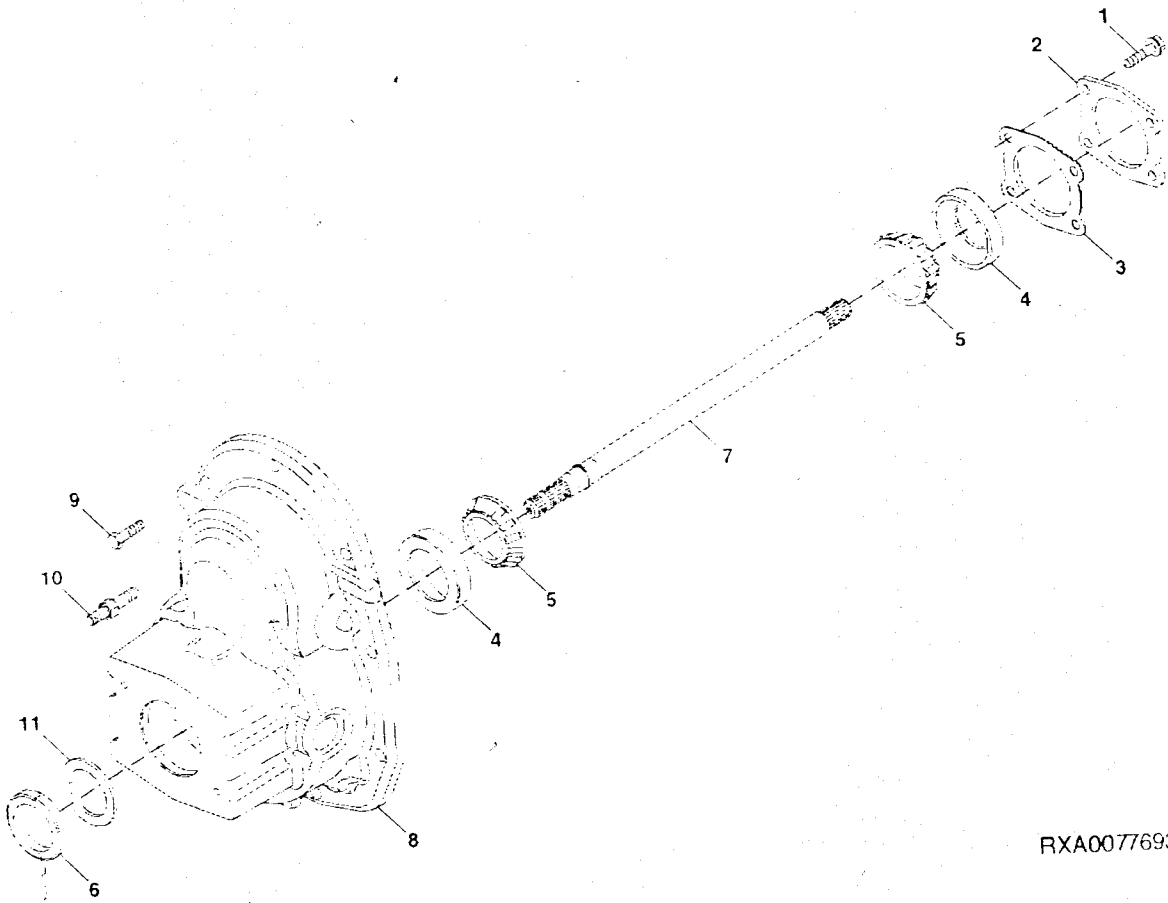


KEY	PART NO.	PART NAME	QTY.	TRACTOR SERIAL NO.	A L L	REMARKS
1	RE254023	GEAR	1			X (MARKED R252646 AND R220474)

MEMORANDA  
MEMORANDA  
MEMORANDA  
MEMORANDA  
MEMORANDA  
MEMORANDA

STANDARD PTO (1 3/4" SHAFT) (1000 RPM)  
PDF STANDARD (1 3/4" ARBRE) (1000 RPM)  
STANDARD-ZAPFWELLE (1 3/4" WELLE) (1000 RPM)  
PTO STANDARD (1 3/4" ALBERO) (1000 RPM)  
TDF NORMAL (1 3/4" EJE) (1000 RPM)  
STANDARD KRAFTUTTAG (1 3/4" AXEL) (1000 RPM)

RXA0077693 UN-01OCT04



RXA0077693

THIS PARTS LISTING IS CONTINUED

8130, 8230, 8330, 8430, 8530 TRACTORS PC9451 (06-OCT-05)  
PN=456

TRA  
SERIAL NO. X (A) (M)  
(A) (M)  
MARKED

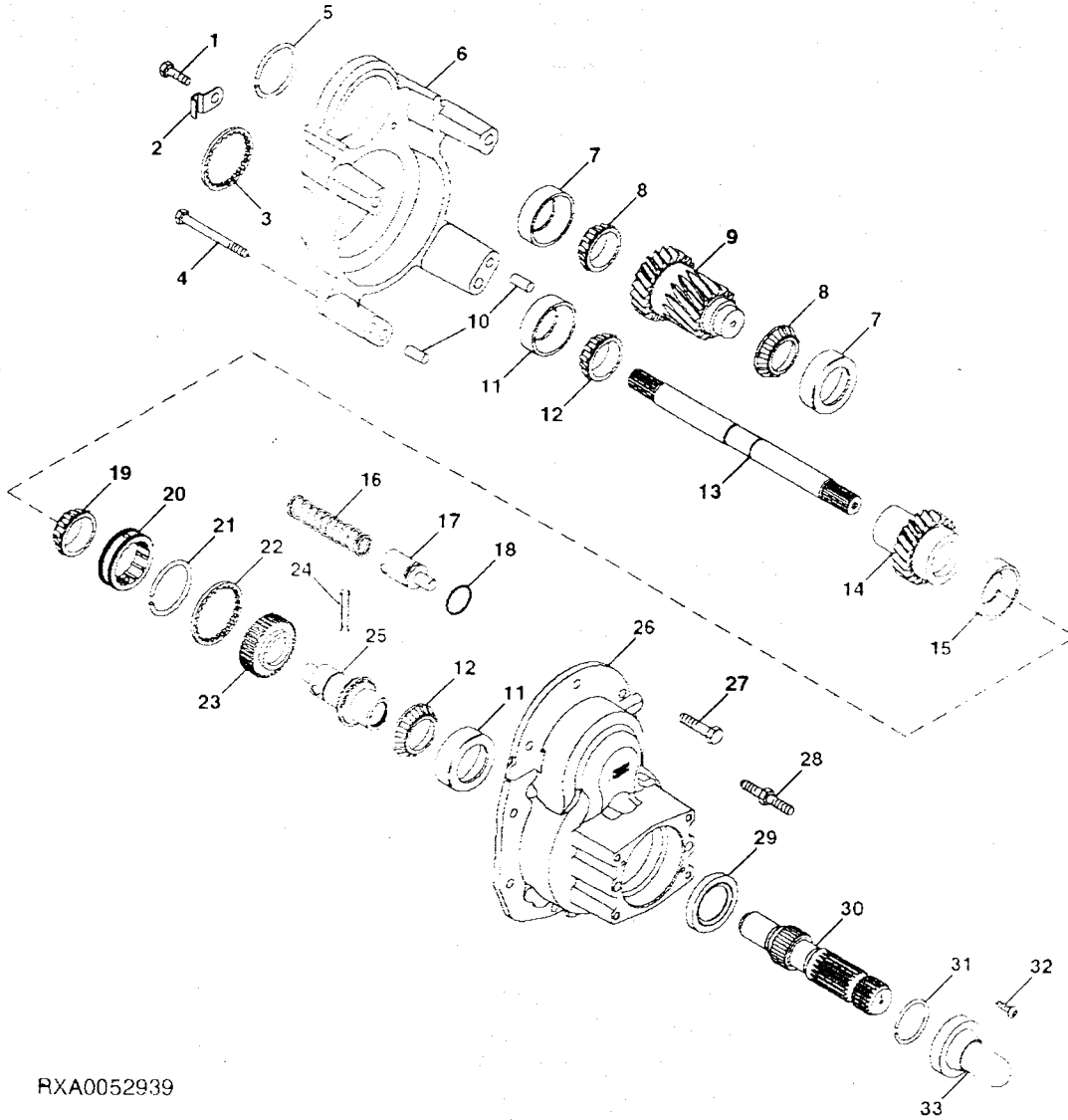
# 53-25

DIFFERENTIAL AND REAR PT.

KEY	PART NO.	PART NAME	QTY.	TRACTOR SERIAL NO.	A L L	REMARKS
1	19M7786	SCREW	4			
2	R73040	PLATE	1		X	M10 X 30, HS 10.9
3	RE68293	KIT	2		X	
4	JD7297	BEARING CUP	2		X	
5	JD7370	BEARING CONE	2		X	
6	RE14439	SEAL	1		X	
7	R215987	SHAFT	1		X	
8	R214263	HOUSING	1		X	
9	19M7786	SCREW	4		X	M10 X 30, HS 10.9
10	R126027	STUD	5		X	
11	R116086	SEAL	1		X	

OPTIONAL PTO (1 3/4" SHAFT) (1000 RPM)  
 PDF EN OPTION (1 3/4" ARBRE) (1000 RPM)  
 ZUSATZ-ZAPFWELLE (1 3/4" WELLE) (1000 RPM)  
 PTO OPZIONALE (1 3/4" ALBERO) (1000 RPM)  
 TDF OPCIONAL (1 3/4" EJE) (1000 RPM)  
 ALTERNATIV KRAFTUTTAG (1 3/4" AXEL) (1000 RPM)

RXA0052939 -UN-03MAY01



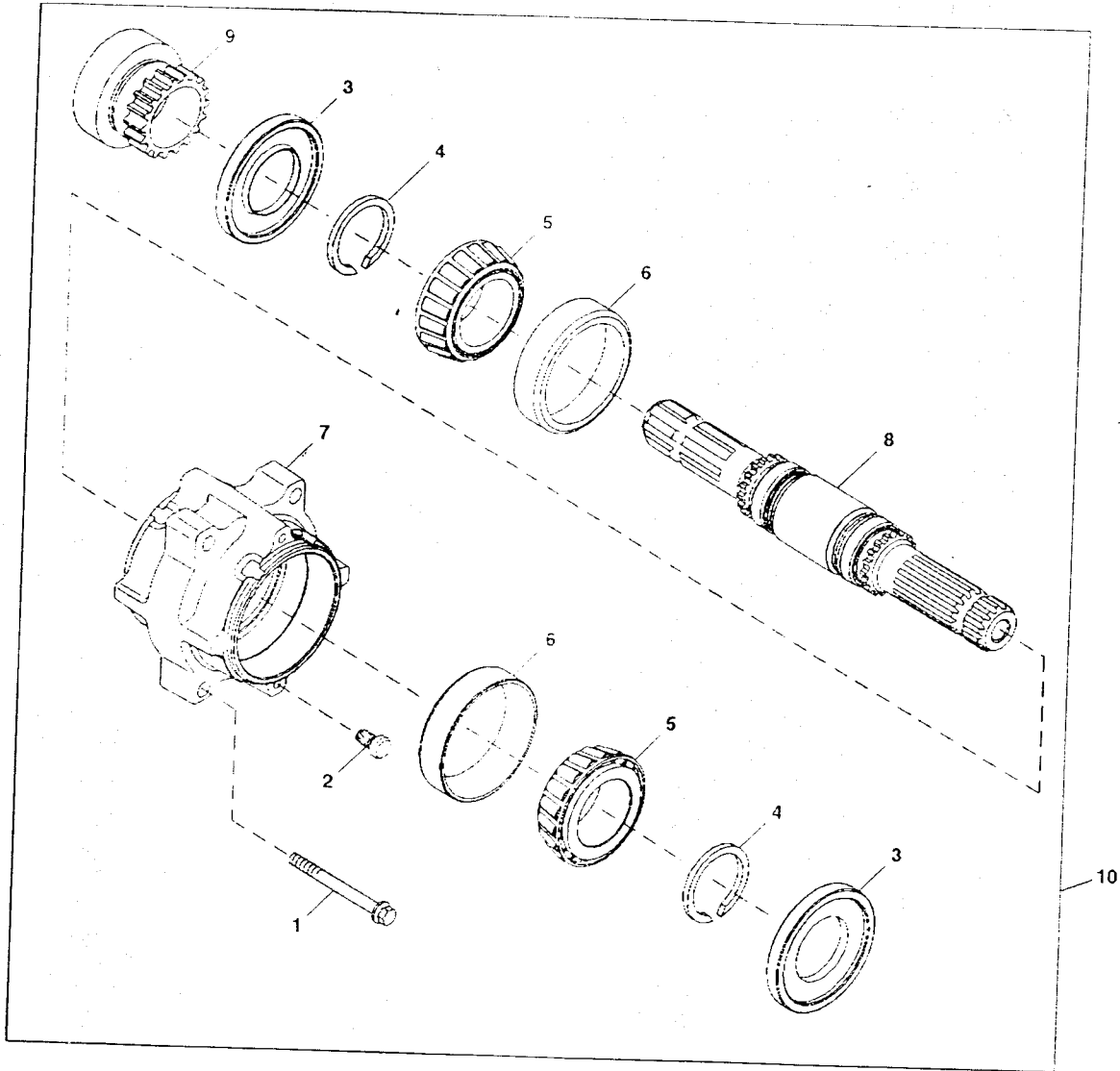
RXA0052939

KEY	PART NO.	PART NAME	QTY	TRACTOR SERIAL NO.	A L L	REMARKS
1	R88246	CAP SCREW	1		X	8M X 16
2	R106839	RETAINER	1		X	
3	R106843	RING	1		X	
4	19M7810	SCREW	4		X	M10 X 80. HS 10.9
5	RE231391	KIT	1		X	
6	R122907	HOUSING	1		X	
7	JD8247	BEARING CUP	2		X	
8	JD10527	BEARING CONE	2		X	
9	R122906	GEAR	1		X	
10	44M7070	DOWEL PIN	2		X	
11	JD7292	BEARING CUP	2		X	
12	JD7378	BEARING CONE	2		X	
13	R215988	SHAFT	1		X	
14	R126104	GEAR	1		X	
15	JD7424	BEARING CUP	1		X	
16	R93485	COMPRESSION SPRING	1		X	
17	R125086	PLUNGER	1		X	
18	R122750	O-RING	1		X	
19	JD8100	BEARING CONE	1		X	
20	R125178	SHIFT COLLAR	1		X	
21	L33035	SNAP RING	1		X	
22	R95784	THRUST WASHER	1		X	
23	R125980	GEAR	1		X	
24	34M7074	SPRING PIN	1		X	8 X 75 MM
25	R122908	SHAFT	1		X	
26	R214264	HOUSING	1		X	
27	19M7786	SCREW	5		X	M10 X 30. HS 10.9
28	R126027	STUD	4		X	M10 X 60. HS 10.9
29	RE38725	SEAL	1		X	
30	R122910	SHAFT	1		X	1-3/4"
31	R38221	SNAP RING	1		X	
32	R27329	SCREW	2		X (A)	
33	L64456	GUARD	1		X (A)	

(A) EUROPEAN VERSION  
 VERSION EUROPEENNE  
 EUROPÄISCHE AUSFUEHRUNG  
 VERSIONE EUROPEA  
 VERSION EUROPEA  
 EUROPEISK VERSION

OPTIONAL PTO (1 3/8" SHAFT) (540 RPM/1000 RPM)  
 PDF EN OPTION (1 3/8" ARBRE) (540 RPM/1000 RPM)  
 ZUSATZ-ZAPFWELLE (1 3/8" WELLE) (540 RPM/1000 RPM)  
 PTO OPZIONALE (1 3/8" ALBERO) (540 RPM/1000 RPM)  
 TDF OPCIONAL (1 3/8" EJE) (540 RPM/1000 RPM)  
 ALTERNATIVT KRAFTUTTAG (1 3/8" AXEL) (540 RPM/1000 RPM)

RXA0070119 -UN-21AUG03



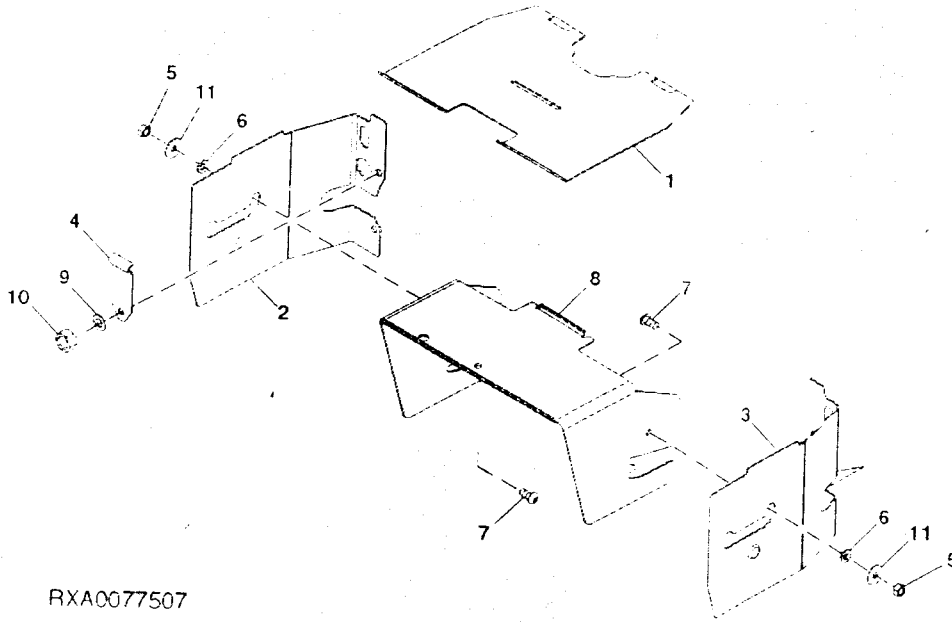
RXA0070119

KEY	PART NO.	PART NAME	QTY.	TRACTOR SERIAL NO.	A L L	REMARKS
1	19M7810	SCREW	4		X	M10 X 80 HS 10.9
2	R27329	SCREW	4		X	
3	RE60467	SEAL	2		X	
4	T44931	SNAP RING	2		X	4.724MM (.186")
	T44932	SNAP RING	1		X	4.267MM (.168")
	T44933	SNAP RING	1		X	4.318MM (.170")
	T44934	SNAP RING	1		X	4.368MM (.172")
	T44935	SNAP RING	1		X	4.445MM (.175")
	T44936	SNAP RING	1		X	4.597MM (.181")
	T44937	SNAP RING	1		X	4.673MM (.184")
5	JD7370	BEARING CONE	2		X	
6	JD7297	BEARING CUP	2		X	
7	R217854	HOUSING	1		X	
8	R122909	SHAFT	1		X	
9	R122915	BUSHING	1		X	
10	RE218639	FIELD INSTALLATION KIT	1		X	



PTO MASTER SHIELD  
 ECRAN DE PROTECTION DE PDF  
 ZAPFWELLENHAUPTABDECKUNG  
 PROTEZIONE PRINCIPALE DELLA PRESA DI FORZA  
 ESCUDO PRINCIPAL DE LA TDF  
 KRAFTUTTAGETS CENTRALSKYDDSPLAAT

RXA0077507 UN:16SEP03



RXA0077507

KEY	PART NO	PART NAME	QTY.	TRACTOR SERIAL NO.	A L L	REMARKS
1	RE217737	SUPPORT	1		X	
	RE44871	SHIELD	1		X	(A)
2	RE217738	SUPPORT	1		X	
	RE60861	SUPPORT	1		X	(A)
3	RE217743	SUPPORT	1		X	
	RE60862	SUPPORT	1		X	(A)
4	R107454	PTO SHIELD RETAINER	2		X	
5	14M7274	NUT	2		X	
6	R116948	WASHER	2		X	M10
7	21M7442	SCREW	2		X	
8	R217741	SUPPORT	1		X	M10 X 20. HS 12.9
	R124049	SHIELD	1		X	
9	24M7346	WASHER	1		X	(A)
10	14M7274	NUT	AR		X	11 X 20 X 2 MM
11	24M7178	WASHER	AR		X	M10
			2		X	10.500 X 33 X 2.500 MM

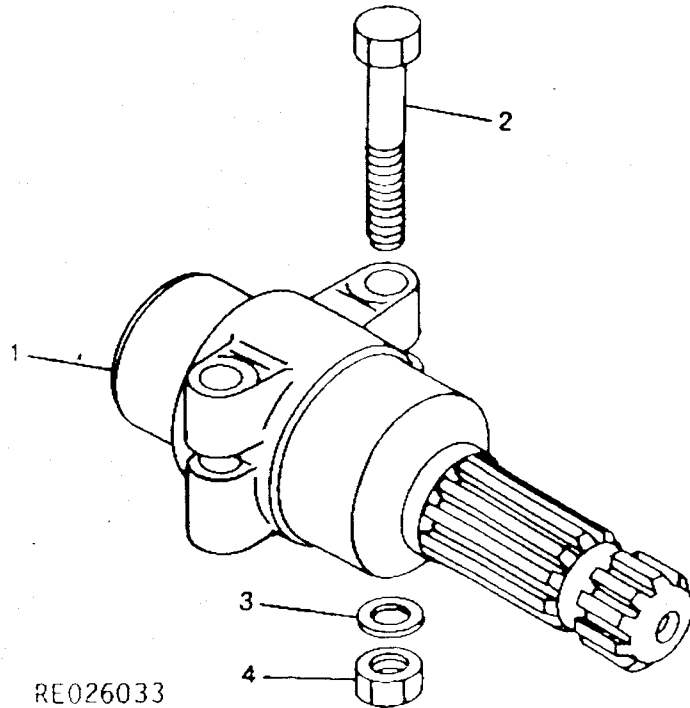
(A) W/ PICK-UP HITCH DRAWBAR  
 W/ BARRE D'ATTELAGE TELESCOPIQUE  
 W/ PICK-UP-ANHAENGE VORRICHTUNG. ZUGPENDEL  
 W/ BARRA DI TRAINO DELL'ATTACCO DI TRAINO  
 W/ BARRA DE TIRO DEL ENGANCHE EXTENSIBLE  
 W/ UTSKJUTBAR DRAGANORDNING. DRAGBOM

# 53-31

DIFFERENTIAL AND REAR P

ADAPTER FOR 1 3/8" PTO  
 ADAPTATEUR POUR PDF DE 1 3/8" PO  
 ADAPTER FUER 1 3/8" ZOLL ZAPFWELLE  
 ADATTATORE PER PTO DA 1 3/8" POLLICI  
 ADAPTADOR PARA TDF DE 1 3/8" PULG.  
 ADAPTER FOER ETT KRAFTUTTAG PAA 1 3/8" TUM

RE026033 UN-27FEB95



KEY	PART NO.	PART NAME	QTY.	TRACTOR SERIAL NO.	A L L	REMARKS
1	AR89543	ADAPTER FITTING	1		X	(INCLUDES R68682)
2	1941974	CAP SCREW	2		X	12" X 2-3/4"
3	12H301	LOCK WASHER	2		X	12"
4	14H1040	NUT	2		X	12"
..	R68682	LABEL	1		X	

MEMORANDA  
MEMORANDA  
MEMORANDA  
MEMORANDA  
MEMORANDA

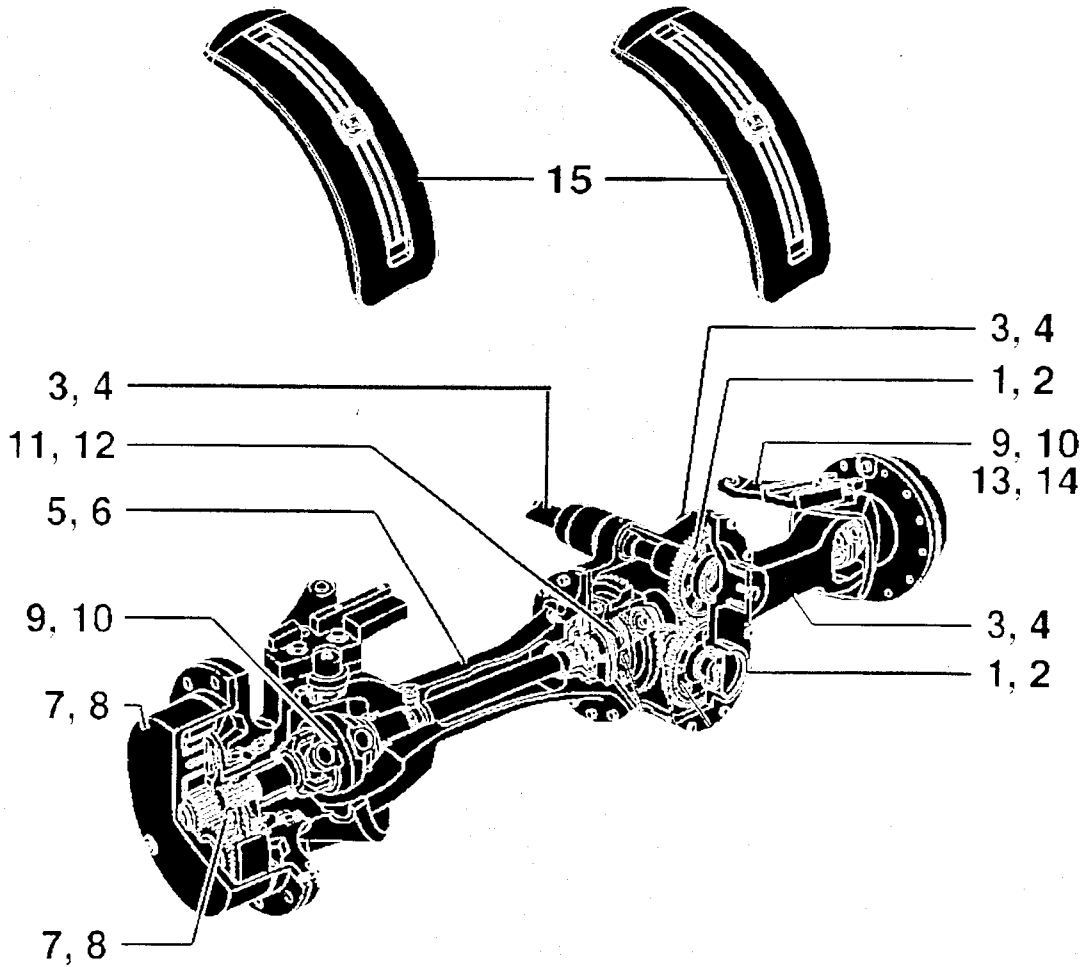
MEMORANDA  
MEMORANDA  
MEMORANDA  
MEMORANDA  
MEMORANDA  
MEMORANDA

# 54-A01

MFV

SECTIONAL INDEX  
 INDEX DE SECTION  
 GRUPPENINDEX  
 INDICE DELLA SEZIONE  
 INDICE DE SECCION  
 GRUPPSFORTECKNING

RXA0081927 -UN-



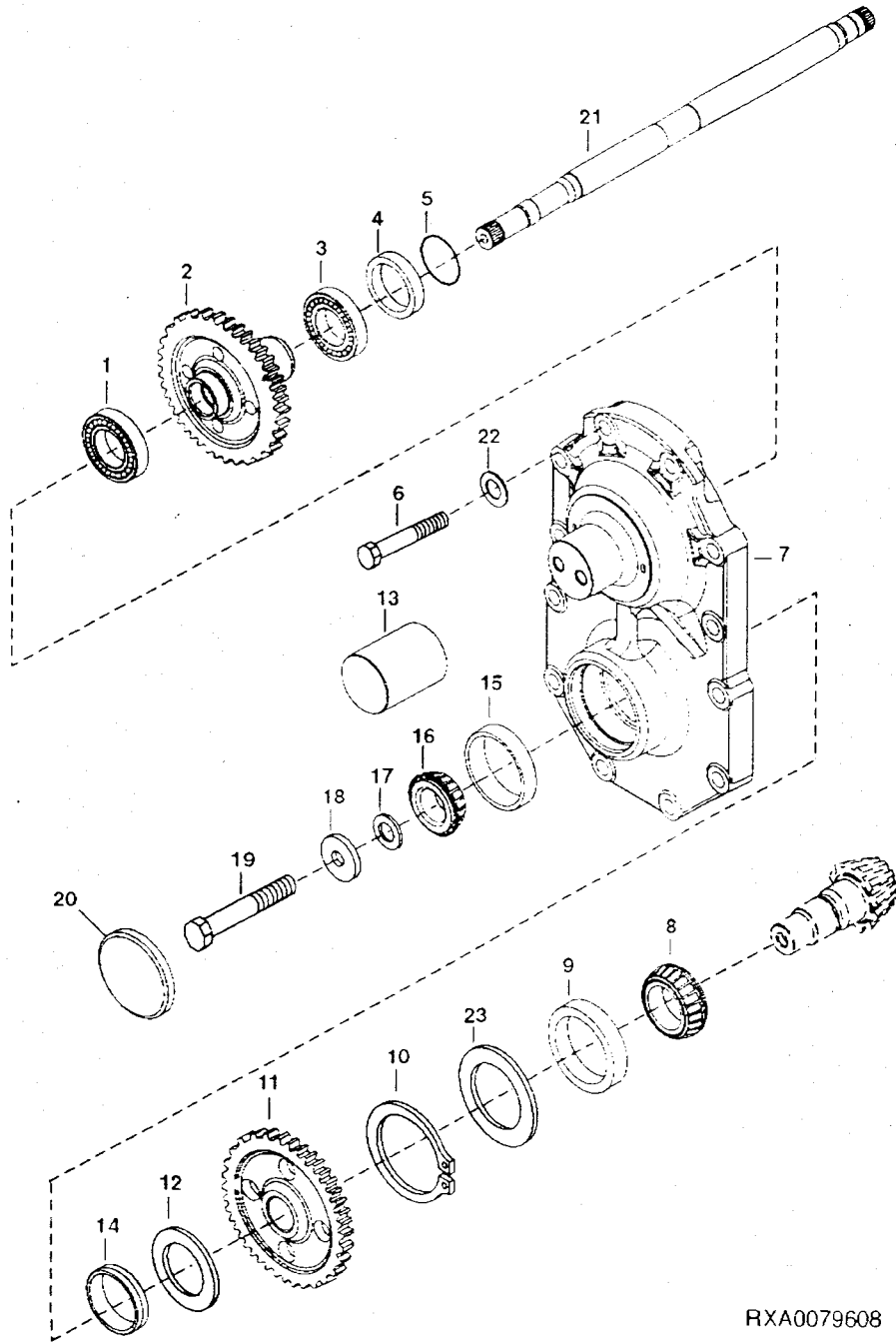
1	1
2	2
3	3
4	4
5	5
6	6
7	7
8	8
9	9
10	10
11	11
12	12
13	13
14	14
15	15

RXA0081927

MEMORANDA  
MEMORANDA  
MEMORANDA  
MEMORANDA  
MEMORANDA  
MEMORANDA

SPUR GEAR DRIVE  
 ENTRAINEMENT PAR ENGRENAGE A PIGNON DROIT  
 STIRNRAD-ANTRIEB  
 INGRANAGGIO CILINDRICO DI DISTRIBUZIONE  
 MANDO DE ENGRANAJES RECTOS  
 DREV MED CYLINDRISKT KUGGHUJL

RXA0079608 UN-09MAR05



RXA0079608

THIS PARTS LISTING IS CONTINUED

# 54-3

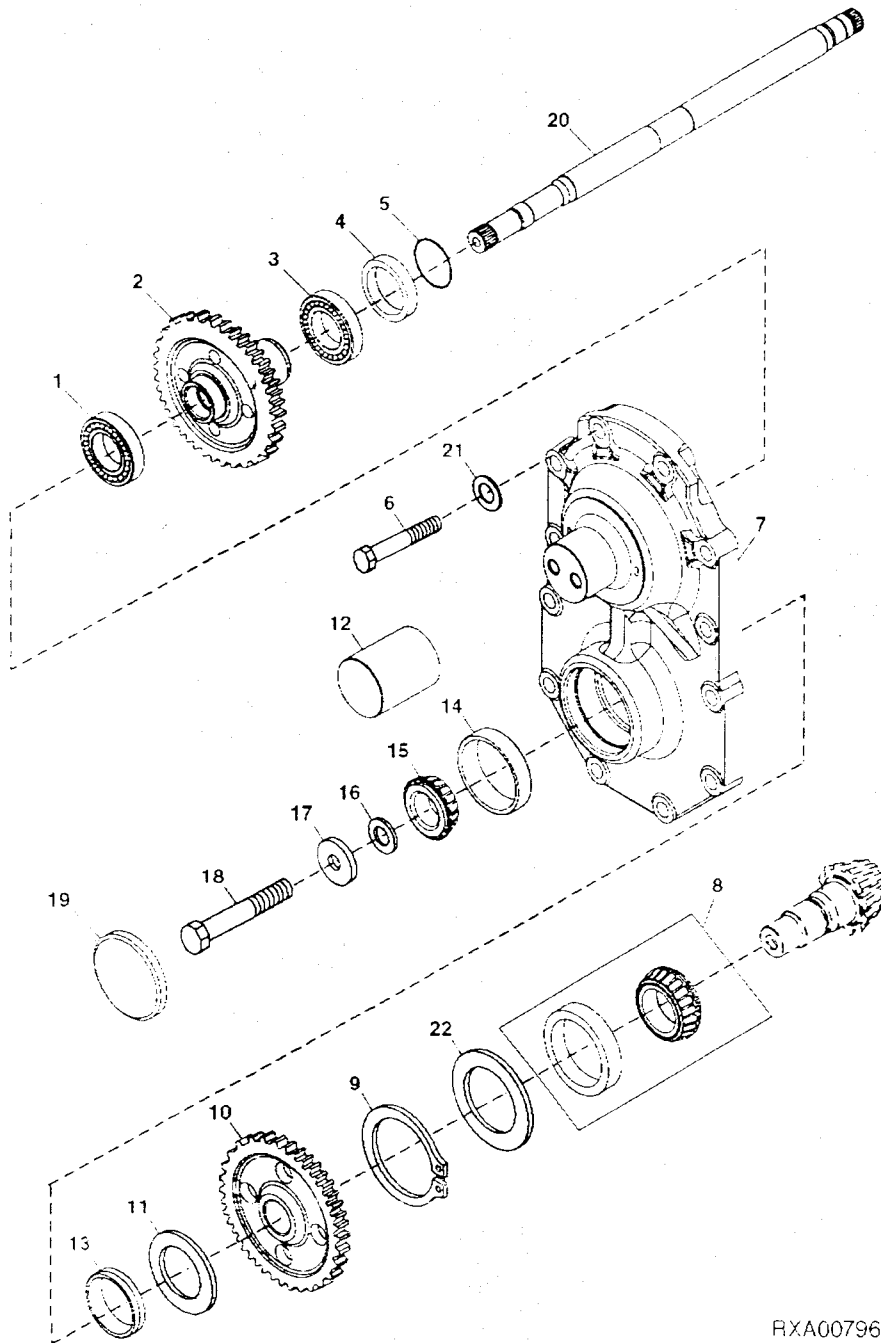
MFV.

KEY	PART NO.	PART NAME	QTY.	TRACTOR SERIAL NO.	8 8 8	REMARKS
					1 2 3	
					3 3 3	
					0 0 0	
1	CH17453	BALL BEARING	1		X X X	
2	R165577	GEAR	1		X X X	
3	JD8537	BALL BEARING	1		X X X	
4	RE49315	SEAL	1		X X X	
5	A4540R	O-RING	1		X X X	
6	19M7759	CAP SCREW	12		X X X	M16 X 60, HS 10.9
7	R127420	COVER	1		X X X	
8	JD10226	BEARING CONE	1		X X X	
9	JD10227	BEARING CUP	1		X X X	
10	T61226	SNAP RING	1		X X X	
11	R165578	GEAR	1		X X X	
12	R128360	WASHER	1		X X X	
13	R107718	SLEEVE	1		X X X	
14	R83474	RING	1		X X X	
15	JD9109	BEARING CUP	1		X X X	
16	JD9043	BEARING CONE	1		X X X	
17	T13331	SHIM	AR		X X X	.08MM (.003")
	T13332	SHIM	AR		X X X	.13MM (.005")
	T13333	SHIM	AR		X X X	.25MM (.010")
	24H1390	SHIM	AR		X X X	0.635 MM .635MM (.025")
18	R193851	WASHER	1		X X X	
19	19M7409	CAP SCREW	1		X X X	M16 X 50, HS 10.9
20	T12529	PLUG	1		X X X	
21	R130895	SHAFT	1		X X X	
22	24M7241	WASHER	12		X X X	17 X 34 X 4 MM
23	R83150	SHIM	AR		X X X	.08MM (.003")
	R83151	SHIM	AR		X X X	.13MM (.005")
	R83152	SHIM	AR		X X X	.25MM (.010")



SPUR GEAR DRIVE  
 ENTRAINEMENT PAR ENGRENAGE A PIGNON DROIT  
 STIRNRAD-ANTRIEB  
 INGRANAGGIO CILINDRICO DI DISTRIBUZIONE  
 MANDO DE ENGRANAJES RECTOS  
 DREV MED CYLINDRISKT KUGGHUJL

RXA0079607 UN-09MAR05



RXA0079607

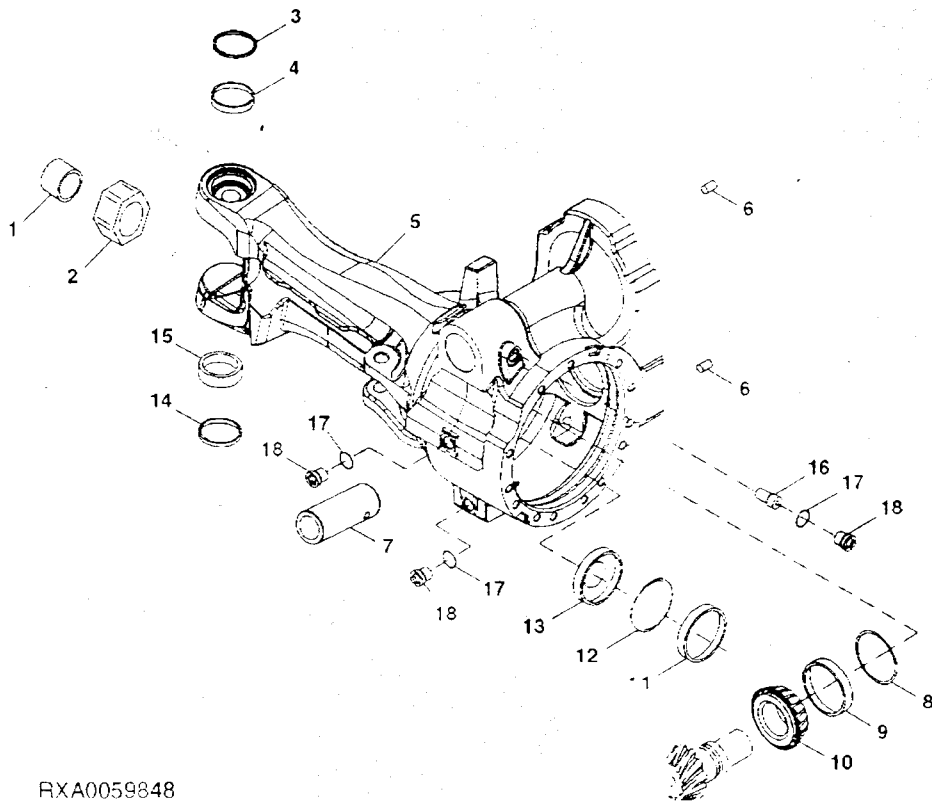
THIS PARTS LISTING IS CONTINUED

KEY	PART NO.	PART NAME	QTY.	TRACTOR SERIAL NO.	8 4 3 0	REMARKS
1	CH17453	BALL BEARING	1		X	
2	R165577	GEAR	1		X	
3	JD8537	BALL BEARING	1		X	
4	RE49315	SEAL	1		X	
5	A4540R	O-RING	1		X	
6	19M7759	CAP SCREW	12		X	M16 X 60, HS 10.9
7	R127420	COVER	1		X	
8	RE192348	BEARING CONE	1		X	
9	T61226	SNAP RING	1		X	
10	R165578	GEAR	1		X	
11	R128360	WASHER	1		X	
12	R107718	SLEEVE	1		X	
13	R83474	RING	1		X	
14	JD9109	BEARING CUP	1		X	
15	JD9043	BEARING CONE	1		X	
16	T13331	SHIM	AR		X	.08MM
	T13332	SHIM	AR		X	.13MM
	T13333	SHIM	AR		X	.25MM
	24H1390	SHIM	AR		X	.635MM
17	R193851	WASHER	1		X	
18	19M7409	CAP SCREW	1		X	M16 X 50
19	T12529	PLUG	1		X	
20	R130895	SHAFT	1		X	
21	24M7241	WASHER	2		X	17 X 34 X 4 MM
22	R83150	SHIM	AR		X	.08MM
	R83151	SHIM	AR		X	.13MM
	R83152	SHIM	AR		X	.25MM

# 54-6

AXLE HOUSING (L.H.)  
TROMPETTE D'ESSIEU (LH)  
ACHSGEHAUSE (LH)  
ALLOGGIAMENTO DELL'ASSALE (LH)  
CAJA DEL EJE (LH)  
AXELHUS (LH)

RXA0059848 UN-18MAR02



RXA0059848

THIS PARTS LISTING IS CONTINUED

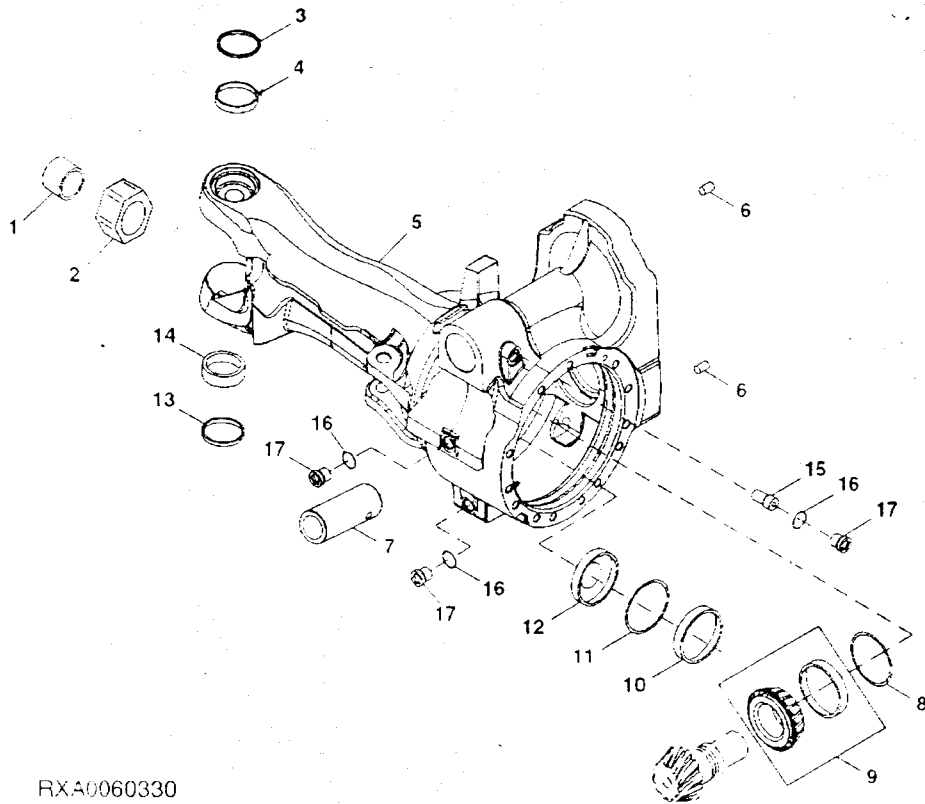
# 54-7

MFW

KEY	PART NO.	PART NAME	QTY.	TRACTOR SERIAL NO	8 8 8	REMARKS
					1 2 3	
					3 3 3	
					0 0 0	
1	R130069	BUSHING	1		X X X	
2	R133871	SPACER	1		X X X	
3	RE50803	SEAL	1		X X X	
4	R72090	BEARING CUP	1		X X X	
5	R135989	CASE	1		X X X	
6	R48685	DOWEL PIN	2		X X X	
7	R107719	BUSHING	1		X X X	
8	R83150	SHIM	AR		X X X	.08MM (.003")
	R83151	SHIM	AR		X X X	.13MM (.005")
	R83152	SHIM	AR		X X X	.25MM (.010")
9	JD10227	BEARING CUP	1		X X X	
10	JD10226	BEARING CONE	1		X X X	
11	JD7292	BEARING CUP	1		X X X	
12	R131996	SHIM	AR		X X X	0.08MM (.003")
	R131997	SHIM	AR		X X X	0.13MM (.005")
	R131998	SHIM	AR		X X X	0.18MM (.007")
	R131999	SHIM	AR		X X X	0.25MM (.010")
	R132000	SHIM	AR		X X X	0.50MM (.020")
	R132001	SHIM	AR		X X X	1.00MM (.040")
13	R150907	PLUG	1		X X X	
14	RE71181	SEAL	1		X X X	
15	JD9021	BEARING CUP	1		X X X	
16	R122120	PIN	1		X X X	
17	P47889	O-RING	1		X X X	
18	R98012	FITTING PLUG	1		X X X	

AXLE HOUSING (L.H.)  
TROMPETTE D'ESSIEU (LH)  
ACHSGEHAEUSE (LH)  
ALLOGGIAMENTO DELL'ASSALE (LH)  
CAJA DEL EJE (LH)  
AXELHUS (LH)

RXA0060330 UN-17APR02



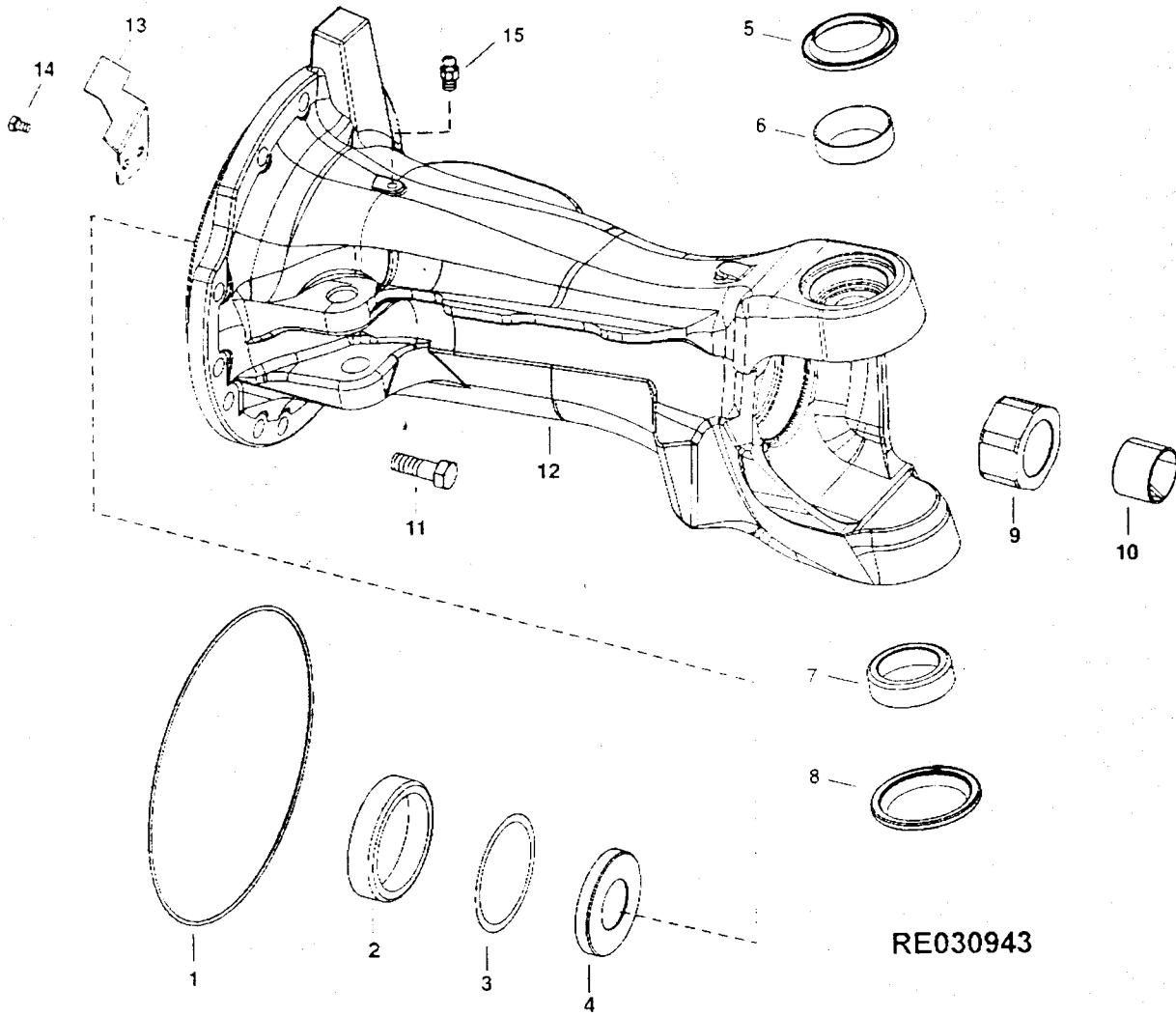
RXA0060330

THIS PARTS LISTING IS CONTINUED

KEY	PART NO.	PART NAME	QTY.	TRACTOR SERIAL NO.				REMARKS
				8	4	3	0	
1	R130069	BUSHING	1				X	
2	R133871	SPACER	1				X	
3	RE50803	SEAL	1				X	
4	R72090	BEARING CUP	1				X	
5	R135989	CASE	1				X	
6	R48685	DOWEL PIN	2				X	
7	R107719	BUSHING	1				X	
8	R83150	SHIM	AR				X	.08MM
	R83151	SHIM	AR				X	.13MM
	R83152	SHIM	AR				X	.25MM
9	RE192348	BEARING CONE	1				X	
10	JD7292	BEARING CUP	1				X	
11	R131996	SHIM	AR				X	.08MM
	R131997	SHIM	AR				X	.13MM
	R131998	SHIM	AR				X	.18MM
	R131999	SHIM	AR				X	.25MM
	R132000	SHIM	AR				X	.50MM
	R132001	SHIM	AR				X	1.00MM
12	R150907	PLUG	1				X	
13	RE71181	SEAL	1				X	
14	JD9021	BEARING CUP	1				X	
15	R122120	PIN	1				X	
16	P47889	O-RING	3				X	
17	R98012	FITTING PLUG	3				X	

AXLE HOUSING (R.H.)  
TROMPETTE D'ESSIEU (RH)  
ACHSGEHAUSE (RH)  
ALLOGGIAMENTO DELL'ASSALE (RH)  
CAJA DEL EJE (RH)  
AXLEHUS (RH)

RE030943 JUN-22SEP99



RE030943

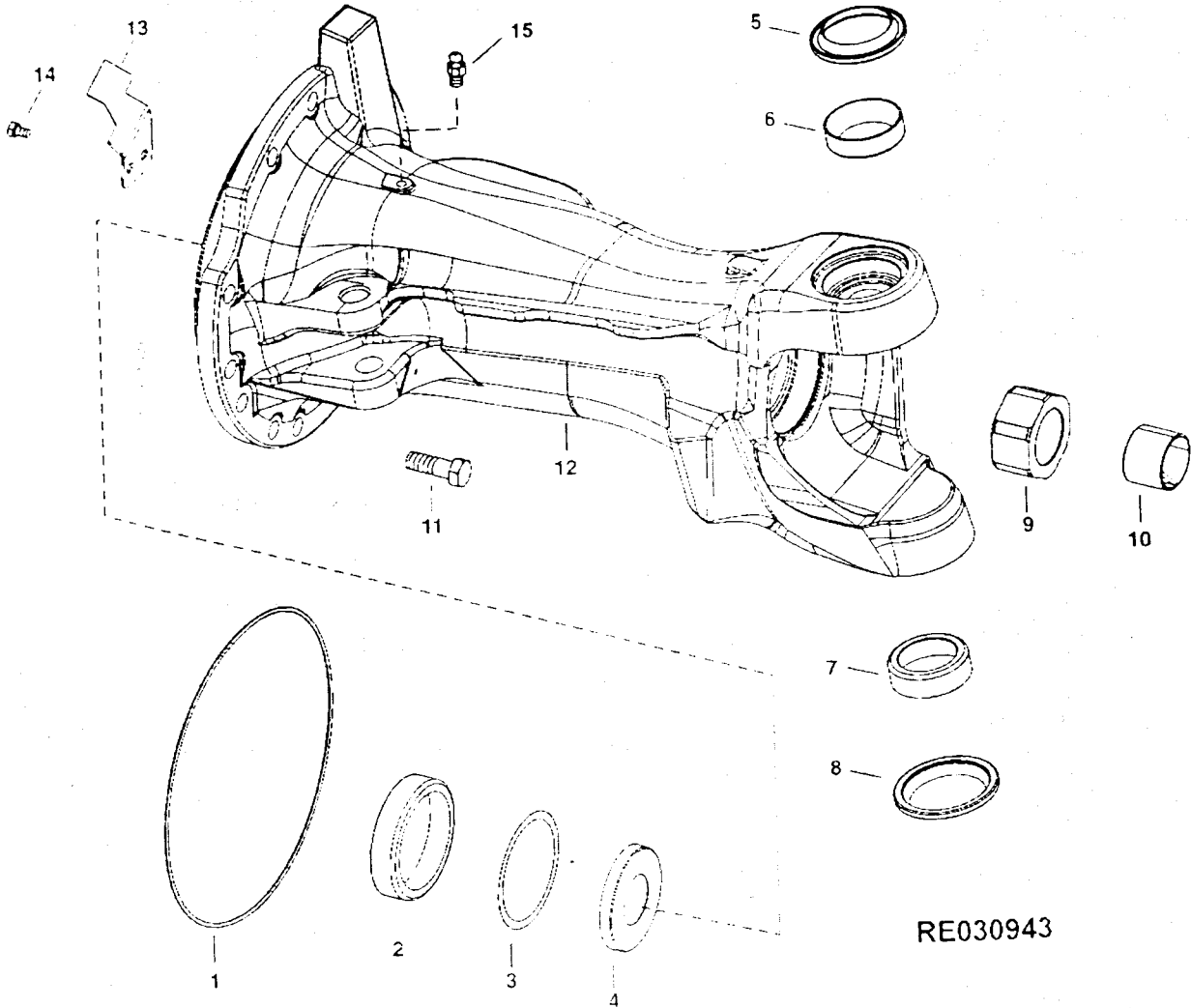
THIS PARTS LISTING IS CONTINUED

KEY	PART NO.	PART NAME	QTY.	TRACTOR SERIAL NO.			REMARKS
				8 8 8	1 2 3	3 3 3	
				0 0 0			
1	R37287	O-RING	1	X	X	X	
2	JD7292	BEARING CUP	1	X	X	X	
3	R131996	SHIM	AR	X	X	X	0.08MM (0.03")
	R131997	SHIM	AR	X	X	X	0.13MM (0.05")
	R131998	SHIM	AR	X	X	X	0.18MM (0.07")
	R131999	SHIM	AR	X	X	X	0.25MM (0.10")
	R132000	SHIM	AR	X	X	X	0.50MM (0.20")
	R132001	SHIM	AR	X	X	X	1.00MM (0.40")
4	R150907	PLUG	1	X	X	X	
5	RE50803	SEAL	1	X	X	X	
6	R72090	BEARING CUP	1	X	X	X	
7	JD8252	BEARING CUP	1	X	X	X	
8	RE71181	SEAL	1	X	X	X	
9	R130069	BUSHING	1	X	X	X	
10	R133871	SPACER	1	X	X	X	
11	19M7489	CAP SCREW	13	X	X	X	M16 X 45. HS 10.9
12	R135991	HOUSING	1	X	X	X	
13	R159204	DEFLECTOR	1	X	X	X	
14	19M7932	CAP SCREW	2	X	X	X	M8 X 16. HS 10.9
15	RE62981	PRESSURE RELIEF VALVE	1	X	X	X	



AXLE HOUSING (R.H.)  
TROMPETTE D'ESSIEU (RH)  
ACHSGEHAEUSE (RH)  
ALLOGGIAMENTO DELL'ASSALE (RH)  
CAJA DEL EJE (RH)  
AXLEHUS (RH)

RE030943 UN-22SEP99



RE030943

THIS PARTS LISTING IS CONTINUED

8130, 8230, 8330, 8430, 8530 TRACTORS PC9451 (06-OCT-05)  
PN=47C

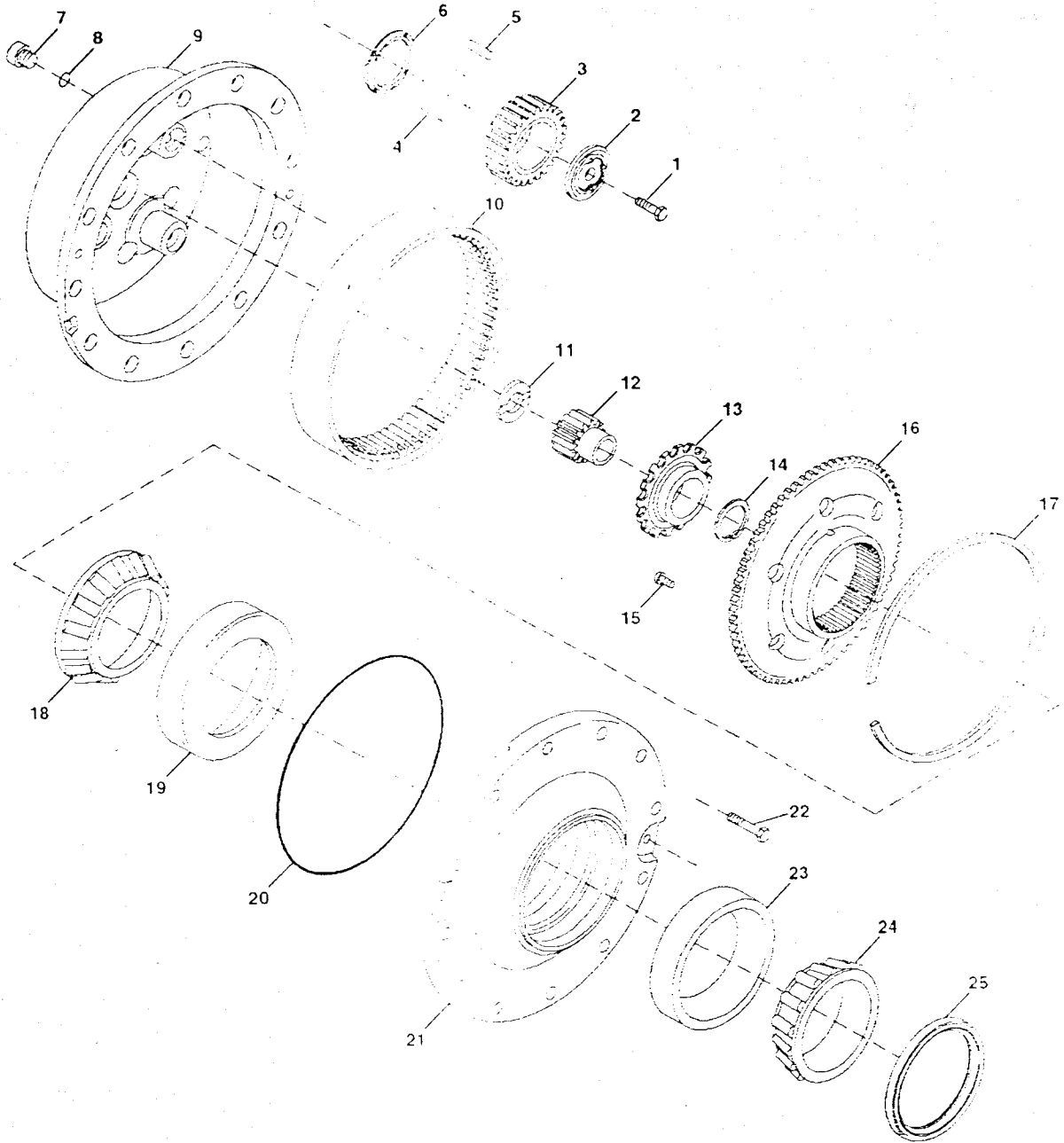
# 54-13

MFV.

KEY	PART NO.	PART NAME	QTY	TRACTOR SERIAL NO	8 4 3 0	REMARKS
1	R37287	O-RING	1		X	
2	JD7292	BEARING CUP	1		X	
3	R131996	SHIM	AR		X	0.08MM (.003")
	R131997	SHIM	AR		X	0.13MM (.005")
	R131998	SHIM	AR		X	0.18MM (.007")
	R131999	SHIM	AR		X	0.25MM (0.10")
	R132000	SHIM	AR		X	0.50MM (0.20")
	R132001	SHIM	AR		X	1.00MM (0.40")
4	R150907	PLUG	1		X	
5	RE50803	SEAL	1		X	
6	R72090	BEARING CUP	1		X	
7	JD8252	BEARING CUP	1		X	
8	RE71181	SEAL	1		X	
9	R130069	BUSHING	1		X	
10	R133871	SPACER	1		X	
11	19M7489	CAP SCREW	13		X	M16 X 45, HS 10.9
12	R135991	HOUSING	1		X	
13	R159204	DEFLECTOR	1		X	
14	19M7932	CAP SCREW	2		X	M8 X 16, HS 10.9
15	RE62981	PRESSURE RELIEF VALVE	1		X	

FINAL DRIVE  
REDUCTEUR  
ENDANTRIEB  
COPPIA CONICA  
MANDO FINAL  
NSKSCRLBSRCL

RE031940 -UN-02MAY01



RE031940

THIS PARTS LISTING IS CONTINUED

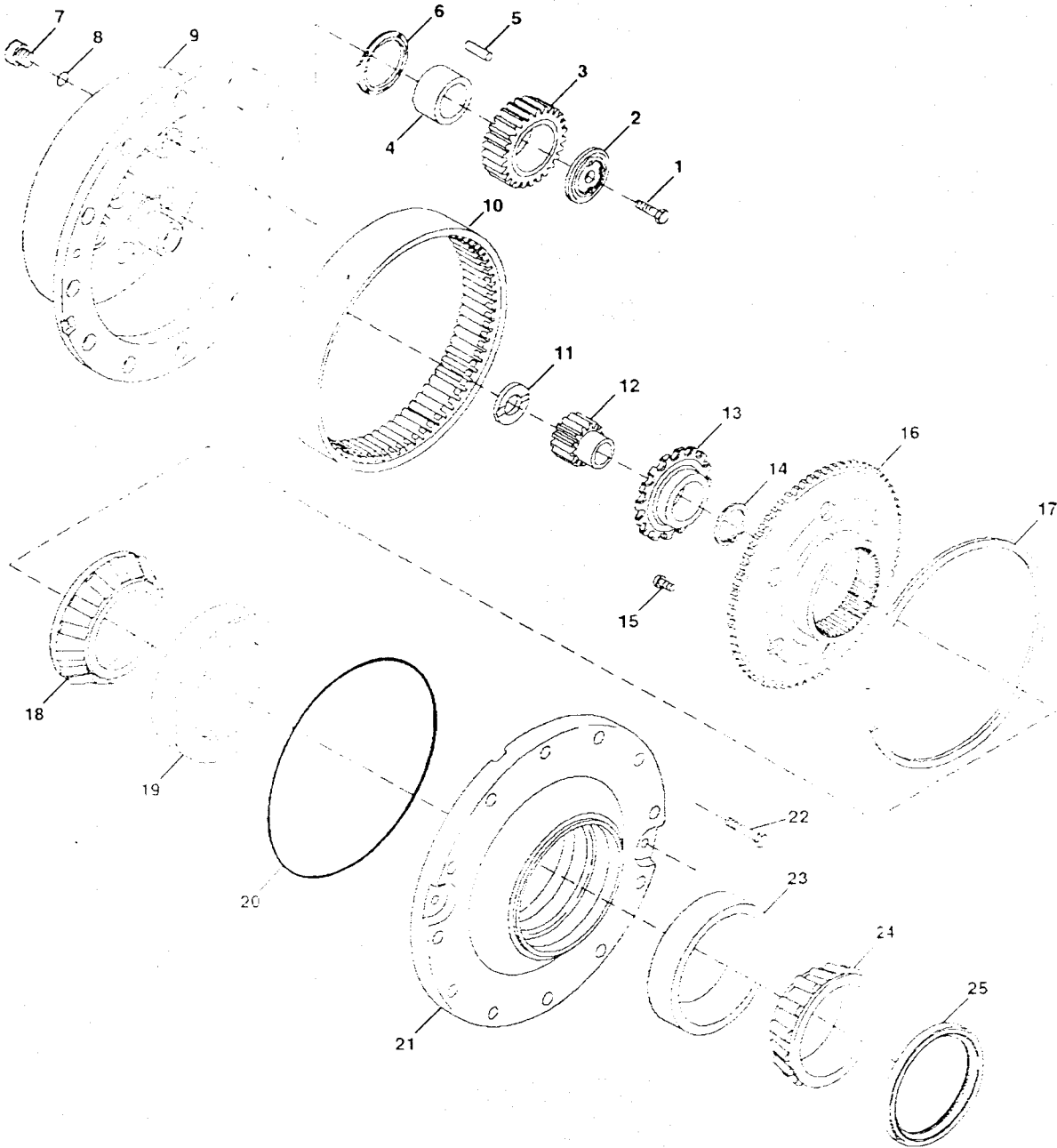
KEY	PART NO.	PART NAME	QTY.	TRACTOR SERIAL NO.	REMARKS
				8 8 8	
				1 2 3	
				3 3 3	
				0 0 0	
1	R112888	CAP SCREW	3		M16 X 40. HS 10.9
2	R92871	RETAINER	3		
3	R121282	PLANET PINION	3		
4	R121362	BEARING RACE	3		
5	R121283	NEEDLE ROLLER	99		
6	R168091	THRUST WASHER	3		
7	R98012	FITTING PLUG	1		
8	P47889	O-RING	1		
9	R183792	PLANET PINION CARRIER	1		
10	R237706	RING GEAR	1		
11	R100774	THRUST WASHER	1		
12	R130078	PINION	1		
13	R171858	RETAINER	1		
14	40M7302	SNAP RING	1		
15	R91842	SCREW	1		M10 X 10. HS 12.9
16	R159931	HUB	1		
17	R99673	SNAP RING	1		
18	JD9050	BEARING CONE	1		
19	JD9115	BEARING CUP	1		
20	R87047	RING	1		
21	R135866	HUB	1		
22	19M8011	CAP SCREW	2		M12 X 30. HS 10.9
23	JD9115	BEARING CUP	1		
24	JD9050	BEARING CONE	1		
25	RE154869	SEAL	1		

# 54-16

MFWD

FINAL DRIVE  
REDUCTEUR  
ENDANTRIEB  
COPPIA CONICA  
MANDO FINAL  
NSKSCRLBSRCL

RE031940 UN-02MAY01

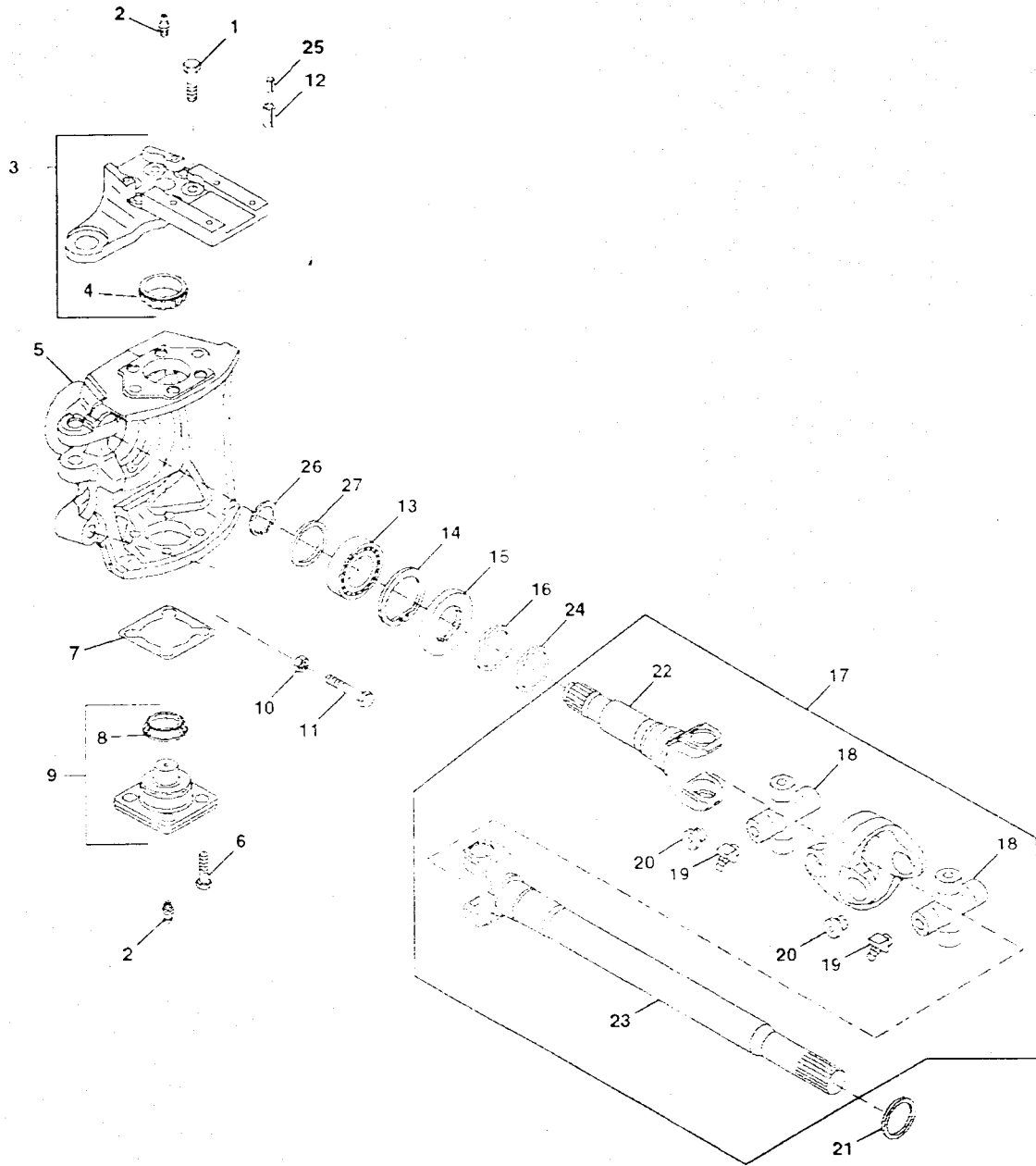


RE031940

KEY	PART NO.	PART NAME	QTY.	TRACTOR		REMARKS
				SERIAL NO.		
					8	
					4	
					3	
					0	
1	R112888	CAP SCREW	4		X	HS 10.9
2	R92871	RETAINER	4		X	
3	R228144	PLANET PINION	4		X	
4	R121362	BEARING RACE	4		X	
5	R121283	NEEDLE ROLLER	132		X	
6	R168091	THRUST WASHER	4		X	
7	R98012	FITTING PLUG	1		X	
8	P47889	O-RING	1		X	
9	R183794	PLANET PINION CARRIER	1		X	
10	R229687	RING GEAR	1		X	
11	R100774	THRUST WASHER	1		X	
12	R229426	PINION	1		X	
13	R171858	RETAINER	1		X	
14	40M7302	SNAP RING	1		X	HS 12.9
15	R91842	SCREW	1		X	
16	R159931	HUB	1		X	
17	R99673	SNAP RING	1		X	
18	JD9050	BEARING CONE	1		X	
19	JD9115	BEARING CUP	1		X	
20	R87047	RING	1		X	
21	R135866	HUB	1		X	M12 X 30. HS 10.9
22	19M8011	CAP SCREW	2		X	
23	JD9115	BEARING CUP	1		X	
24	JD9050	BEARING CONE	1		X	
25	RE154869	SEAL	1		X	

STEERING ARM AND KNUCKLE  
 BRAS ET ARTICULATION DE DIRECTION  
 SPURHEBEL UND LENKACHSSCHENKEL  
 BRACCIO DI GOVERNO E ARTICLAZIONE  
 ROTULA Y BRAZO DE LA DIRECCION  
 STYRARM OCH-SPINDEL

RXA0069270 JUN-21JUL03



RXA0069270

THIS PARTS LISTING IS CONTINUED

KEY	PART NO.	PART NAME	QTY	AXLE		REMARKS
				SERIAL NO.		
					8 8 8	
					1 2 3	
					3 3 3	
					0 0 0	
1	19M8002	CAP SCREW	4		X X X	M20 X 55, HS 10.9
2	JD7759	LUBRICATION FITTING	2		X X X	
	RE188533	LUBRICATION FITTING	2		X X X	(C)
	JD7798	LUBRICATION FITTING	2		X X X	(D)
3	RE158048	ARM	1		X X X	L.H.
	RE158047	ARM	1		X X X	R.H.
4	AR94761	BEARING CONE	1		X X X	
5	R135865	HOUSING	1		X X X	L.H.
	R135864	HOUSING	1		X X X	R.H.
6	19M7946	CAP SCREW	4		X X X	M20 X 40, HS 10.9
7	R131673	SHIM	AR		X X X	.13MM
	R131675	SHIM	AR		X X X	.25MM
	R131676	SHIM	AR		X X X	1.00MM
	R131985	SHIM	AR		X X X	.08MM
8	JD8930	BEARING CONE	1		X X X	
9	RE71437	KINGPIN	1		X X X	
10	14M7277	NUT	1		X X X	M20
11	R133288	BOLT	1		X X X	
12	34M7128	SPRING PIN	2		X X X	20 X 50 MM
13	RE175448	BALL BEARING	1		X X X	
14	40M1873	SNAP RING	1		X X X	
15	RE65591	SEAL	1		X X X	
16	RE65592	SEAL	1		X X X	
17	RE206425	UNIVERSAL JOINT	1	-XXXXXX	X X X	(ALSO ORDER R206614 AND 40M7302 (SUB RE250838, R250848 AND 40M7302)
	RE250838	UNIVERSAL JOINT WITH SHAFT	1	XXXXXX-	X X X	(ALSO ORDER R250848 AND 40M7302)
18	RE65621	CROSS AND BEARING ASSEMBLY	2		X X X	
19	58M5578	LUBRICATION FITTING	4		X X X	
20	15M7033	PIPE PLUG	4		X X X	
21	RE185799	SEAL	1		X X X	
22	R206430	UNIVERSAL JOINT YOKE	1	-XXXXXX	X X X	(A) (ALSO ORDER R206614 AND 40M7302 (SUB R250839, R250848 AND 40M7302)
	R250839	UNIVERSAL JOINT YOKE	1	XXXXXX-	X X X	(A) (ALSO ORDER R250848 AND 40M7302)
23	R153307	UNIVERSAL JOINT WITH SHAFT	1		X X X	(B)
24	R157679	OIL SLINGER	1		X X X	
25	34M7077	SPRING PIN	2		X X X	12 X 50 MM
26	40M7302	SNAP RING	1		X X X	
27	R206614	WASHER	1	-XXXXXX	X X X	
	R250848	WASHER	1	XXXXXX-	X X X	

(A) OUTBOARD  
 EXTERIEUR  
 AUSSEN  
 ESTERNO  
 EXTERIOR  
 YTTRE

(B) INBOARD  
 INTERIEUR  
 INNEN  
 INTERNO  
 INTERIOR  
 INRE

(C) FRONT FENDERS (MECHANICAL FRONT WHEEL DRIVE)  
 JEU DE PIECES DE GARDE-BOUE AVANT (TRACTION AVANT MECANIQUE)  
 FRONT-KOTSCHUETZERSATZ (MECHANISCHER FRONTANTRIEB)  
 SERIE PEZZI PER GUARDIA PARAFANGO ANTERIORE (TRAZIONE ANTERIORE MECANICA)  
 JUEGO DE FALDON DE GUARDABARRO DELANTERO (TRACCION DELANTERA)  
 FOERLAENGARE TILL FRAEMRE STAENKSKAERM. SATS (MEKANISK FRAMHJULSDRIVNING)

(D) W/O FRONT FENDERS (MECHANICAL FRONT WHEEL DRIVE)  
 W/O JEU DE PIECES DE GARDE-BOUE AVANT (TRACTION AVANT MECANIQUE)  
 W/O FRONT-KOTSCHUETZERSATZ (MECHANISCHER FRONTANTRIEB)  
 W/O SERIE PEZZI PER GUARDIA PARAFANGO ANTERIORE (TRAZIONE ANTERIORE MECANICA)  
 W/O JUEGO DE FALDON DE GUARDABARRO DELANTERO (TRACCION DELANTERA)  
 W/O FOERLAENGARE TILL FRAEMRE STAENKSKAERM. SATS (MEKANISK FRAMHJULSDRIVNING)

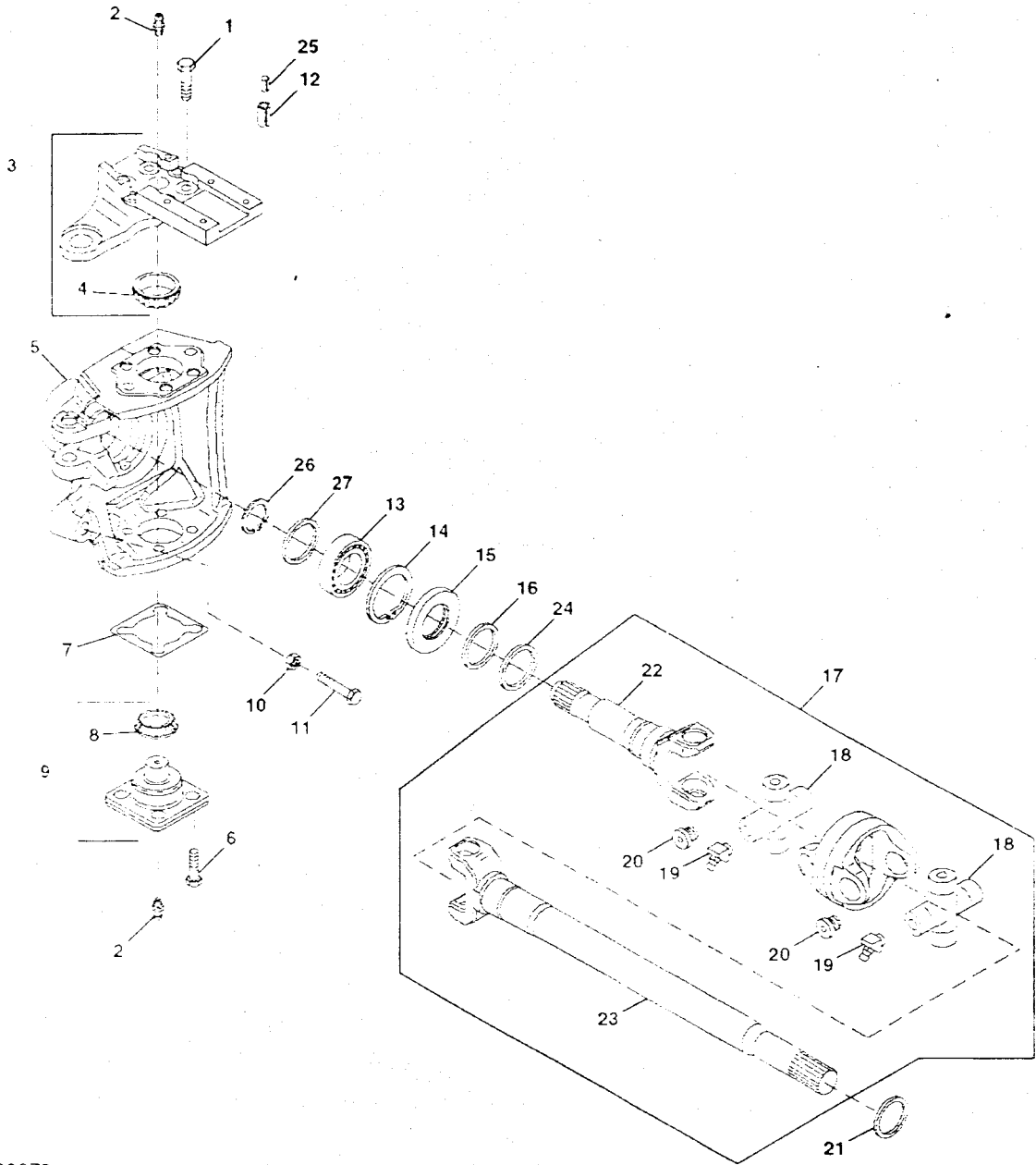


# 54-20

MFWD

STEERING ARM AND KNUCKLE  
DIRECTIONAL ARTICULATION DE DIRECTION  
LENKACHSSEL UND LENKACHSSCHENKEL  
DIRECCIONE DI GOVERNO E ARTICLAZIONE  
BRAZO Y BRAZO DE LA DIRECCION  
LENKARM OCH-SPINDEL

RXA0069270 UN-21JUL03



RXA0069270

THIS PARTS LISTING IS CONTINUED

8130, 8230, 8330, 8430, 8530 TRACTORS PC9451 (06-OCT-05) PN=48F

KEY	PART NO	PART NAME	QTY	AXLE SERIAL NO.	8 4 3 0	REMARKS
					X	M20 X 55, HS 10.9
1	19M8002	CAP SCREW	4		X	
2	JD7759	LUBRICATION FITTING	2		X	(C)
	RE188533	LUBRICATION FITTING	2		X	L.H.
3	RE158048	ARM	1		X	R.H.
	RE158047	ARM	1		X	
4	AR94761	BEARING CONE	1		X	L.H.
5	R135865	HOUSING	1		X	R.H.
	R135864	HOUSING	1		X	M20 X 40, HS 10.9
6	19M7946	CAP SCREW	4		X	13MM
7	R131673	SHIM	AR		X	25MM
	R131675	SHIM	AR		X	1.00MM
	R131676	SHIM	AR		X	38MM
	R131985	SHIM	AR		X	
8	JD8930	BEARING CONE	1		X	
9	RE71437	KINGPIN	1		X	M20
10	14M7277	NUT	1		X	
11	R133288	BOLT	1		X	20 X 50 MM
12	34M7128	SPRING PIN	2		X	
13	RE175448	BALL BEARING	1		X	
14	40M1873	SNAP RING	1		X	
15	RE65591	SEAL	1		X	
16	RE65592	SEAL	1	-XXXXXX	X	ALSO ORDER R206614 AND 40M7302) (S JB RE250839, R250848 AND 40M7302)
17	RE206425	UNIVERSAL JOINT	1		X	ALSO ORDER R250848 AND 40M7302)
	RE250836	UNIVERSAL JOINT WITH SHAFT	1	XXXXXX-	X	
18	RE65521	CROSS AND BEARING ASSEMBLY	2		X	
19	58M5578	LUBRICATION FITTING	4		X	
20	15M7933	PIPE PLUG	4		X	
21	RE185799	SEAL	1	-XXXXXX	X	(A) (ALSO ORDER R206614 AND 40M7302) (S JB R250839, R250848 AND 40M7302)
22	R206430	UNIVERSAL JOINT YOKE	1		X	(A) (ALSO ORDER R250848 AND 40M7302)
	R250839	UNIVERSAL JOINT YOKE	1	XXXXXX-	X	(B)
23	R153307	UNIVERSAL JOINT WITH SHAFT	1		X	
24	R157879	OIL SLINGER	1		X	12 X 50 MM
25	34M7077	SPRING PIN	2		X	
26	40M7302	SNAP RING	1		X	
27	R206614	WASHER	1	-XXXXXX	X	
	R250848	WASHER	1	XXXXXX-	X	

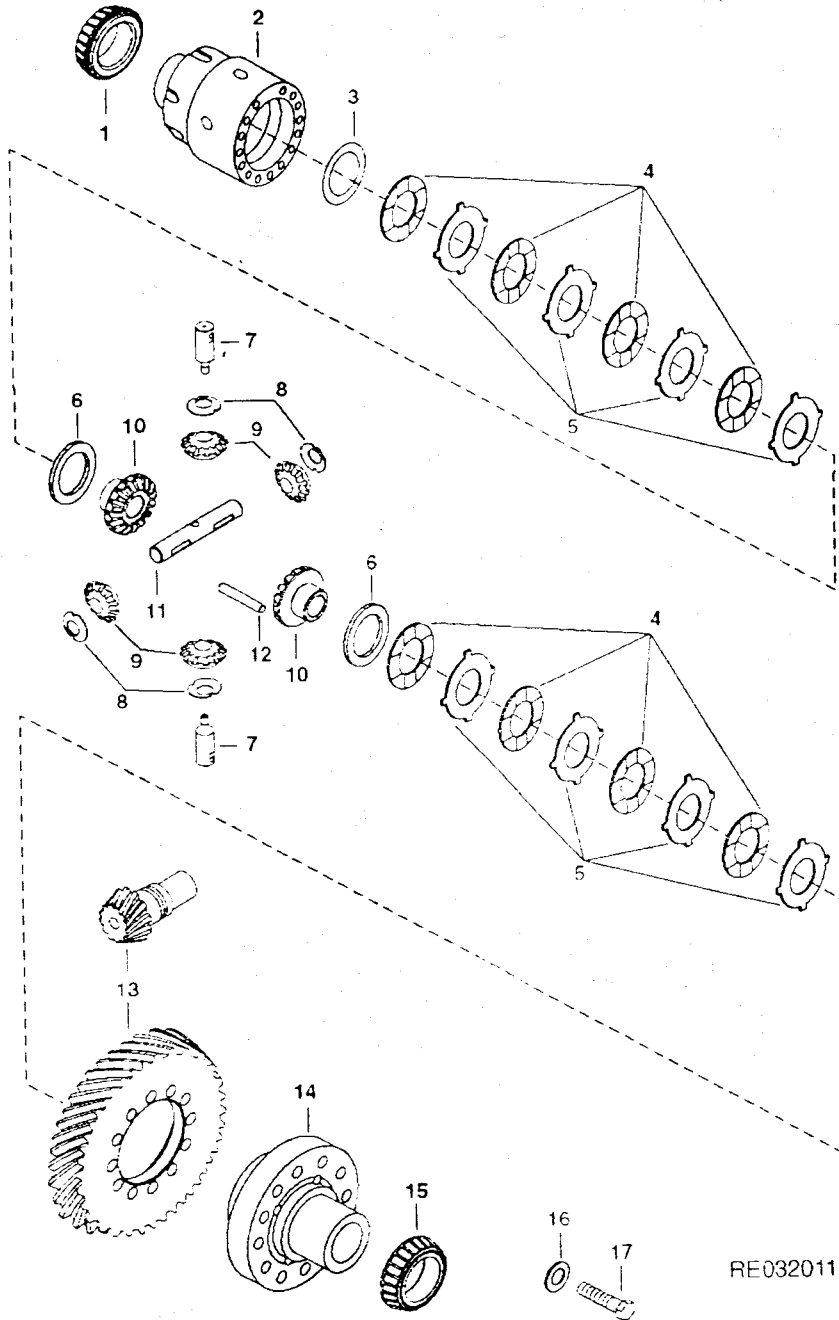
(A) OUTBOARD  
EXTERIEUR  
AUSSEN  
ESTERNO  
EXTERIOR  
YTTRÉ

(B) INBOARD  
INTERERIEUR  
INNEN  
INTERNO  
INTERIOR  
INRE

(C) FRONT FENDERS (MECHANICAL FRONT WHEEL DRIVE)  
JEL DE PIÉCES DE GARDE-BOUE AVANT (TRACTION AVANT MECANIQUE)  
FRONT-KOTSCH JETZERSATZ (MECHANISCHER FRONTANTRIEB)  
SER E PEZZI PER GUARDIA PARAFANGO ANTERIORE (TRAZIONE ANTERIORE MECANICA)  
JUEGO DE FALDON DE GUARDABARRO DELANTERO (TRACCION DELANTERA)  
FOERLAENGARE TILL FRAEMRE STAENKSKAERM. SATS (MEKANISK FRAMHJULSDRIVNING)

DIFFERENTIAL  
DIFFERNTIEL  
DIFFERENTIAL  
DIFFERENZIALE  
DIFFERENTIAL

RE032011 UN-28JUL00



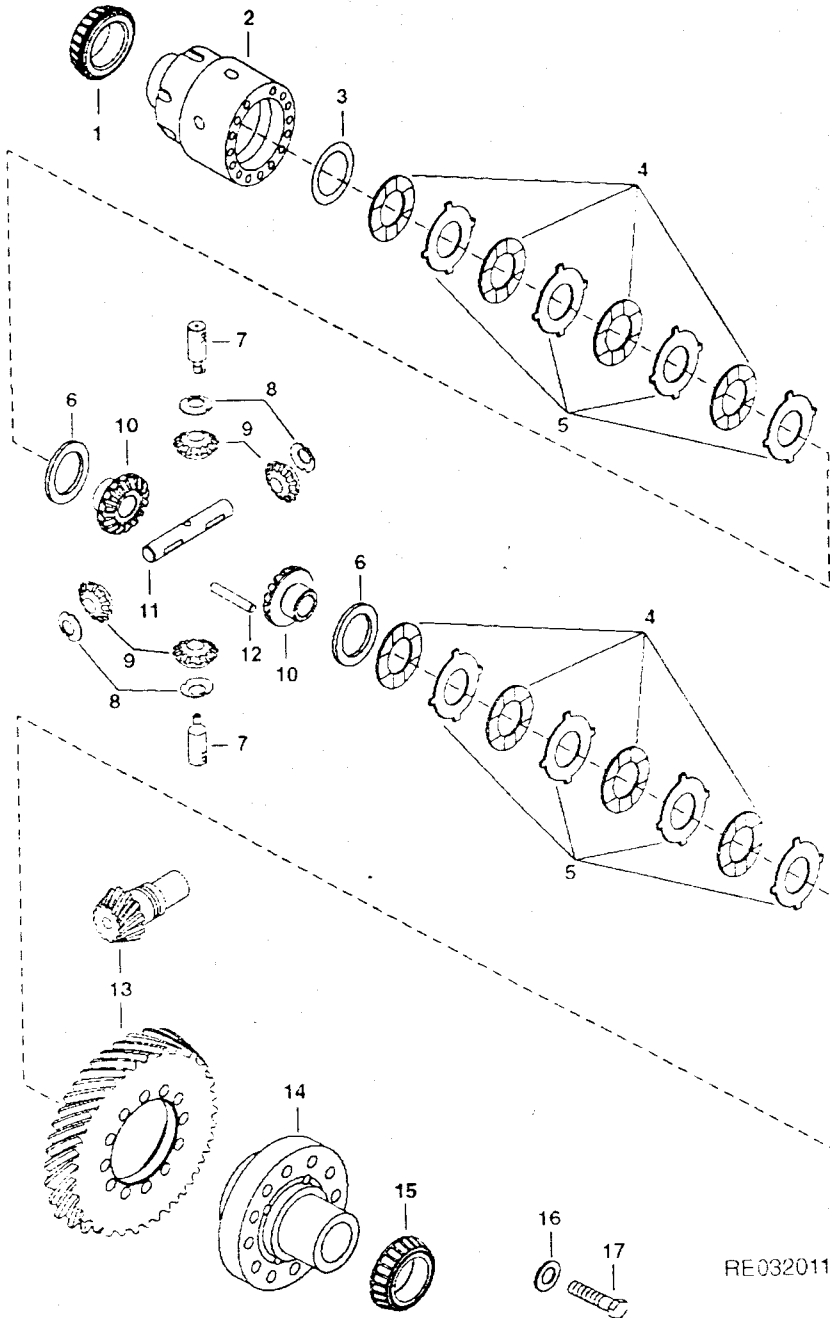
RE032011

THIS PARTS LISTING IS CONTINUED

KEY	PART NO.	PART NAME	QTY	TRACTOR SERIAL NO			REMARKS
				8 8 8	1 2 3	3 3 3	
1	JD7242	BEARING CONE	1	X	X	X	
2	R133867	HOUSING	1	X	X	X	
3	R132971	SHIM	AR	X	X	X	13MM (.005")
	R83559	SHIM	AR	X	X	X	.25MM (.010")
	R83560	SHIM	AR	X	X	X	.38MM (.015")
4	RE43059	DISK	8	X	X	X	
5	R82908	PLATE	8	X	X	X	
6	R131336	SPACER	2	X	X	X	
7	R131511	SHAFT	2	X	X	X	
8	R135876	THRUST WASHER	4	X	X	X	(SUB R237709)
9	R135875	PINION	4	X	X	X	(SUB R237713)
10	R133149	BEVEL GEAR	2	X	X	X	
11	R131346	SHAFT	1	X	X	X	
12	R62129	NEEDLE ROLLER	2	X	X	X	
13	RE196606	RING GEAR AND PINION	1	X	X	X	(MARKED R196607 AND R196608)
14	R130753	HOUSING	1	X	X	X	
15	JD7242	BEARING CONE	12	X	X	X	17 X 30 X 3 MM
16	24M7338	WASHER	12	X	X	X	M16 X 65. -S 10.9
17	19M8995	CAP SCREW	12				

DIFFERENTIAL  
DIFFERNTIEL  
DIFFERENTIAL  
DIFFERENZIALE  
DIFFERENTIAL

RE032011 -UN-28JUL00



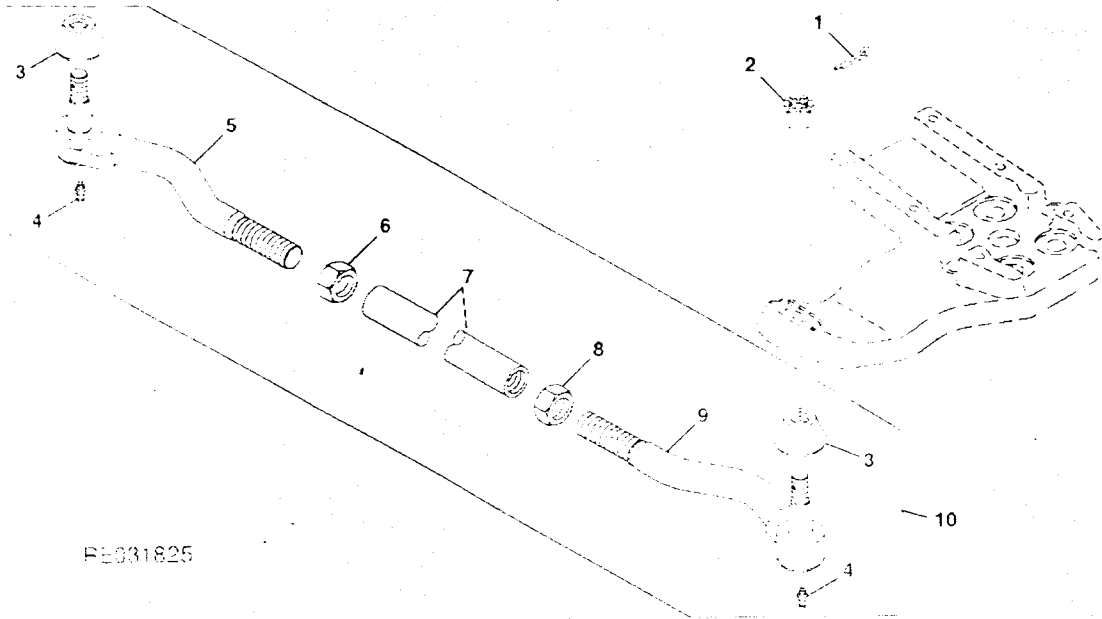
RE032011

THIS PARTS LISTING IS CONTINUED

KEY	PART NO	PART NAME	QTY	TRACTOR SERIAL NO	8 4 3 0	REMARKS
1	JD7242	BEARING CONE	1		X	
2	R133867	HOUSING	1		X	
3	R132971	SHIM	AR		X	13MM (.005")
	R83559	SHIM	AR		X	25MM (.010")
	R83560	SHIM	AR		X	38MM (.015")
4	RE43059	DISK	8		X	
5	R82908	PLATE	8		X	
6	R131336	SPACER	2		X	
7	R131511	SHAFT	2		X	
8	R135876	THRUST WASHER	4		X	(SUB R237709)
9	R135875	PINION	4		X	(SUB R237713)
10	R133149	BEVEL GEAR	2		X	
11	R131346	SHAFT	1		X	
12	R62129	NEEDLE ROLLER	2		X	(MARKED R196607 AND R196608)
13	RE196606	RING GEAR AND PINION	1		X	
14	R130753	HOUSING	1		X	
15	JD7242	BEARING CONE	1		X	17 X 30 X 3 Mm
16	24M7338	WASHER	12		X	M16 X 65. HS 13.9
17	19M8995	CAP SCREW	12			

TIE ROD (MFWD)  
 BARRE D'ACCOUPLMENT (MFWD)  
 SPURSTANGE (MFWD)  
 BARRA D'ACCOPIAMENTO (MFWD)  
 BARRA TRANSV. DE DIRECTION (MFWD)  
 PARALLELLSTAG (MFWD)

RE031825 -UN-02NOV00

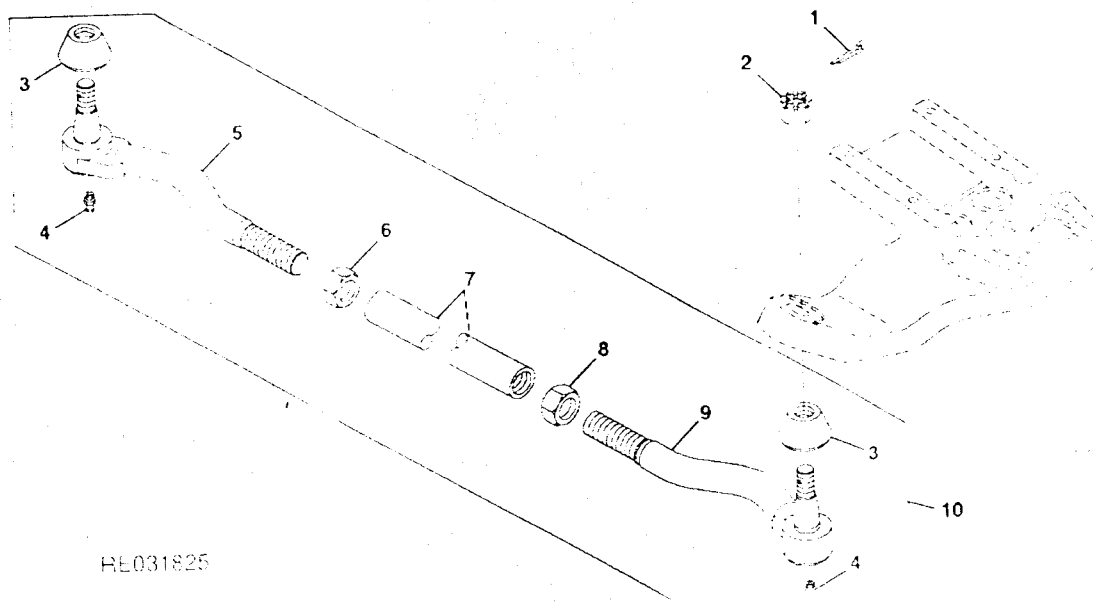


RE031825

KEY	PART NO.	PART NAME	QTY.	AXLE SERIAL NO.	REMARKS
				8 8 8	
				1 2 3	
				3 3 3	
				0 0 0	
1	P146817	COTTER PIN	2		X X X 3.200 X 32 MM
2	P146875	NUT	2		X X X 7/8"
	P150227	COVER	2		X X X
	P107797	LUBRICATION FITTING	2		X X X
	RE173641	TIE ROD END	1		X X X LH
	P121323	LOCK NUT	1		X X X LH
	P124748	TURNBUCKLE	1		X X X
	P121322	LOCK NUT	1		X X X RH
	RE173640	TIE ROD END	1		X X X RH
	RE173624	TIE ROD ASSEMBLY	1		X X X

TIE ROD (MFWD)  
 BARRE D'ACCOUPLMENT (MFWD)  
 SPURSTANGE (MFWD)  
 BARRA D'ACCOPIAMENTO (MFWD)  
 BARRA TRANSV. DE DIRECTION (MFWD)  
 PARALLELLSTAG (MFWD)

RE031825 -UN-02NOV00



KEY	PART NO.	PART NAME	QTY.	AXLE SERIAL NO.	REMARKS
				8	
				4	
				3	
				0	
1	11M7017	COTTER PIN	2		X 3.200 X 32 MM
2	14H875	NUT	2		X 7/8"
3	R78027	COVER	2		X
4	JD7797	LUBRICATION FITTING	2		X
5	RE173541	TIE ROD END	1		X L.H.
6	R121023	LOCK NUT	1		X L.H.
7	R124745	TURNBUCKLE	1		X
8	R121022	LOCK NUT	1		X R.H.
9	RE173540	TIE ROD END	1		X R.H.
10	RE173524	TIE ROD ASSEMBLY	1		X

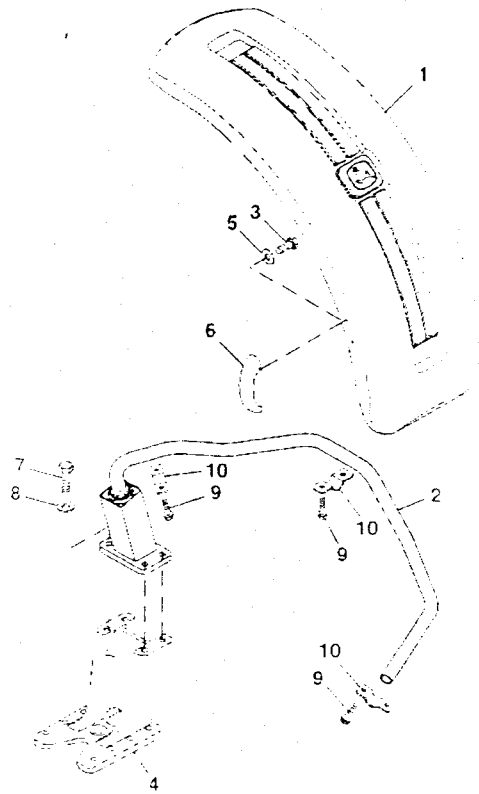


# 54-28

MFWD

FRONT FENDER ASSEMBLY (MFWD)  
JEU DE PIÈCES DE GARDE-BOU AVANT (MFWD)  
FRONT-KOTSHUETZERSATZ (MFWD)  
SERIE PEZZI PER GUARDIA PARAFANGO ANTERIORE (MFWD)  
JUEGO DE FALDON DE GUARDABARRO DELANTERO (MFWD)  
FOERLAENGARE TILL FRAEMRE STAENKSKAERM, SATS (MFWD)

RXA0077969 -UN-30MAR05



RXA0077969

KEY	PART NO.	PART NAME	QTY.	TRACTOR SERIAL NO	A L L	REMARKS
1	RE223407	FENDER	1		X (A) (D) R.H.	
	RE223406	FENDER	1		X (A) (D) L.H.	
	RE223409	FENDER	1		X (B) (C) R.H.	
	RE223408	FENDER	1		X (B) (C) L.H.	
2	RE245422	BRACKET	1		X R.H.	
	RE245423	BRACKET	1		X L.H.	
3	19M7881	SCREW	4		X M8 X 20. HS 10.9	
4	R213133	BRACKET	2		X	
5	24M7336	WASHER	4		X 9 X 16 X 1.600 MM	
6	RE213549	BUMPER	2		X	
7	19M7403	CAP SCREW	8		X M12 X 35. HS 10.9	
8	24M7345	WASHER	8		X 13.500 X 24 X 2.500 MM	
9	19M7866	SCREW	12		X M8 X 20. HS 10.9	
10	R214344	CLAMP	6		X	
..	RE236666	FIELD INSTALLATION KIT	1		X (A) (D)	
..	RE236669	FIELD INSTALLATION KIT	1		X (B) (C)	

(A) FOR TIRE SIZE 480/70 AND WIDER  
 POUR PNEUMATIQUES 480/70 ET PLUS LARGES  
 FUER BEREIFUNG 480/70 UND BREITER  
 PER PNEUMATICI 480/70 E SUPERIORE  
 PARA NEUMATICOS 480/70 Y MAS ANCHOS  
 FOER DACKSDIMENSION 480/70 OCH BREDARE

(B) FOR TIRE SIZE 620/65R30  
 POUR PNEUMATIQUES 620/65R30  
 FUER BEREIFUNG 620/65R30  
 PER PNEUMATICI 620/65R30  
 PARA NEUMATICOS 620/65R30  
 FOR DACKSDIMENSION 620/65R30

(C) WIDE  
 LARGE  
 BREIT  
 LARGO  
 ANCHO  
 BRED

(D) NARROW  
 ETROIT  
 SCHMAL  
 STRETTO  
 ANGOSTO  
 SMAL

54-30

MFWD

MEMORANDA  
MEMORANDA  
MEMORANDA  
MEMORANDA  
MEMORANDA  
MEMORANDA

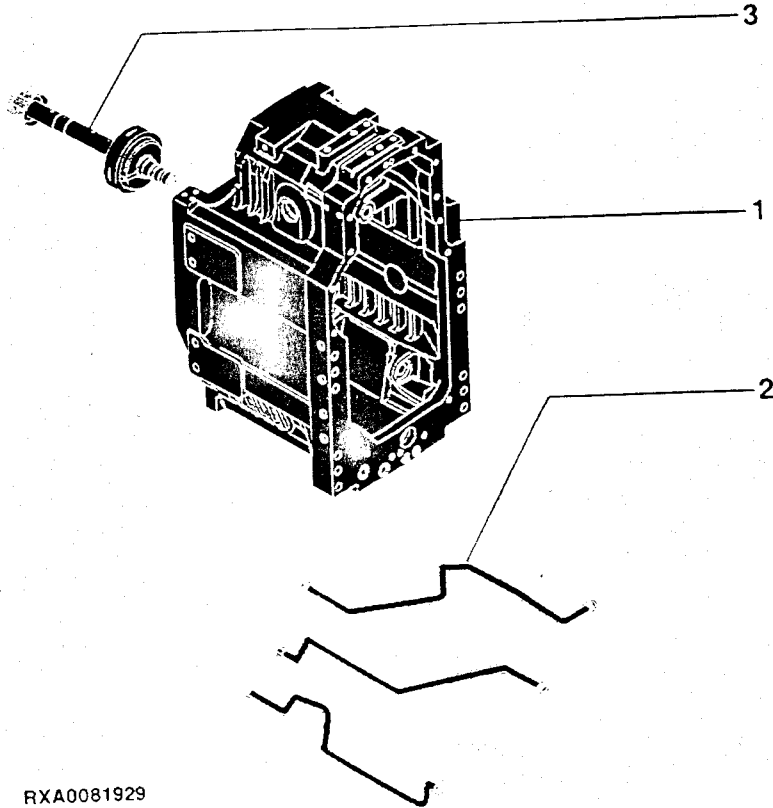
# 55-A01

JOHN DEERE INDEPENDENT LINK SUSPENSION

SECTIONAL INDEX  
INDEX DE SECTION  
GRUPPENINDEX  
INDICE DELLA SEZIONE  
INDICE DE SECCION  
GRUPPSFORTECKNING

RXA0081929 -UN-

1-	2
2-	4
3-	6



RXA0081929

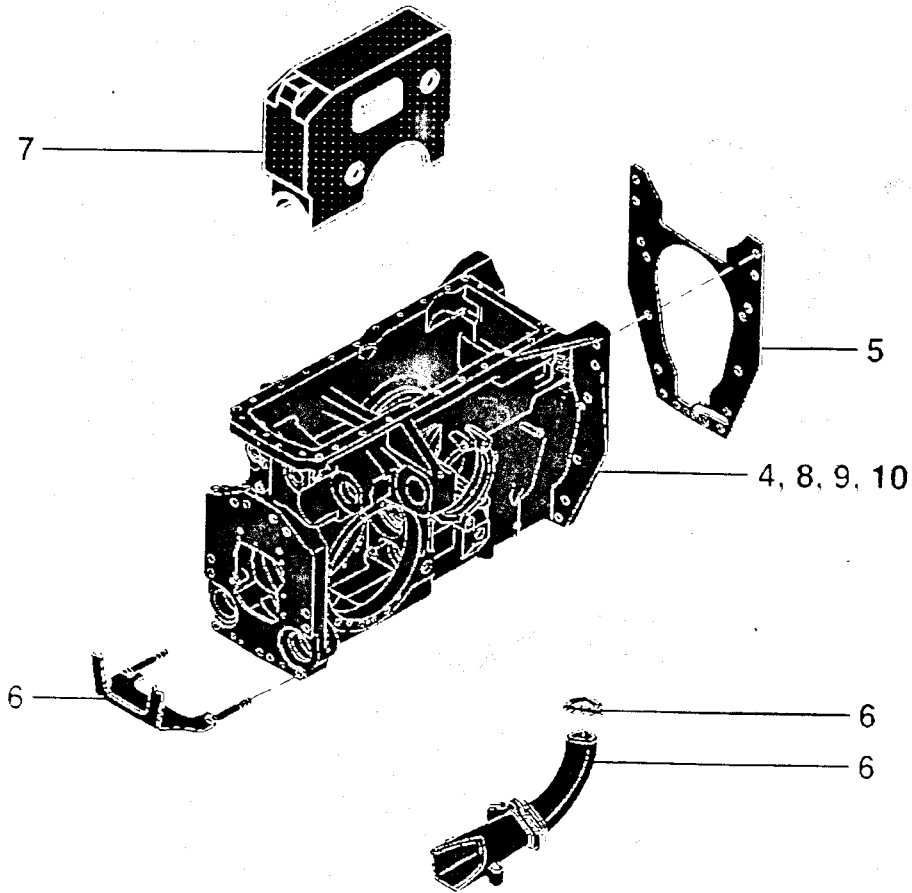
# 55-A02

JOHN DEERE INDEPENDENT LINK SUSPENSION

SECTIONAL INDEX  
 INDEX DE SECTION  
 GRUPPENINDEX  
 INDICE DELLA SEIZIONE  
 INDICE DE SECCION  
 GRUPPSFORTECKNING

RXA0081930 -UN-

4-	8
5-	10
6-	12
7-	14
8-	16
9-	20
9-	22
10-	24
10-	26



RXA0081930

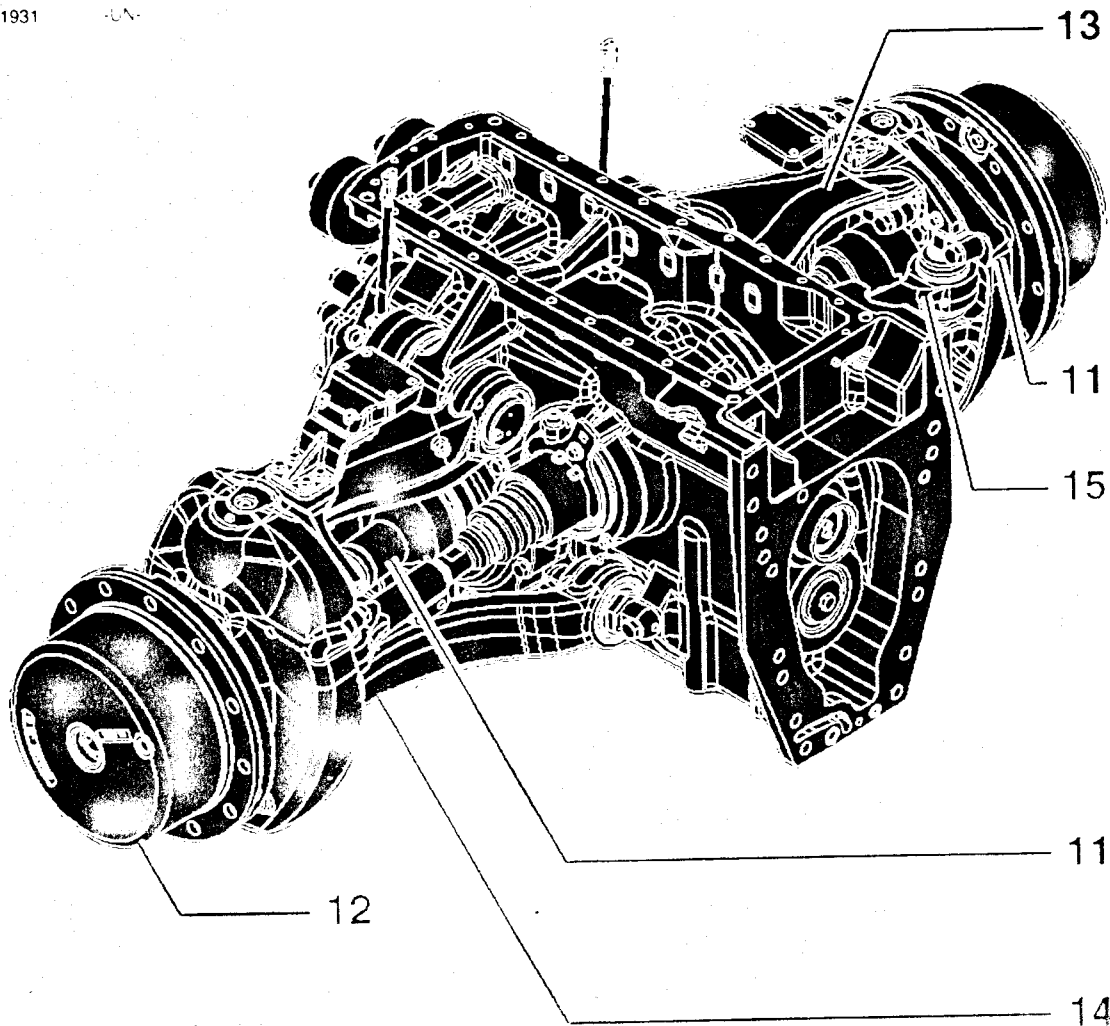
# 55-A03

JOHN DEERE INDEPENDENT LINK SUSPENSION

SECTIONAL INDEX  
INDEX DE SECTION  
GRUPPENINDEX  
INDICE DELLA SEZIONE  
INDICE DE SECCION  
GRUPPSFORTECKNING

RXA0081931 -LN-

11-	28
12-	30
12-	32
13-	34
14-	36
15-	38



RXA0081931

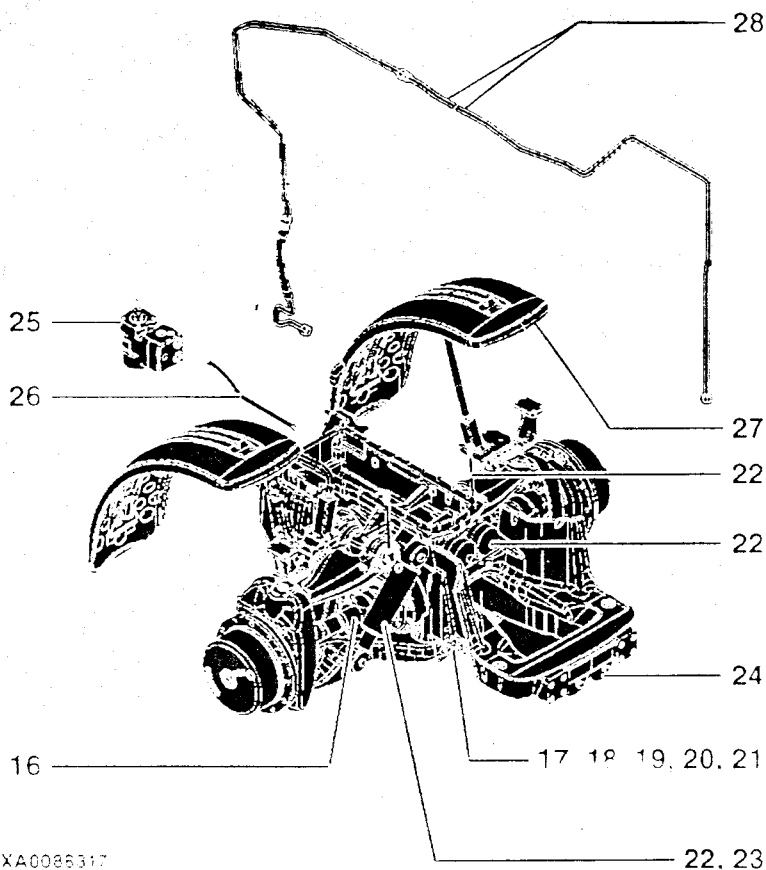
# 55-A04

JOHN DEERE INDEPENDENT LINK SUSPENSION

SECTIONAL INDEX  
 INDEX DE SECTION  
 GRUPPENINDEX  
 INDICE DELLA SEZIONE  
 INDICE DE SECCION  
 GRUPPSFORTECKNING

RXA0088317 -UN-

28-	18
16-	40
17-	42
17-	44
18-	46
19-	48
20-	49
21-	50
22-	52
23-	54
24-	55
25-	56
25-	57
26-	58
27-	60



MEMORANDA  
MEMORANDA  
MEMORANDA  
MEMORANDA  
MEMORANDA



TRANSMISSION CASE  
CARTER DE TRANSMISSION  
GETRIEBEGEHAEUSE  
SCATOLA DELLA TRASMISSIONE  
CAJA DE TRANSMISION  
TRANSMISSIONSKAAPPA

RXA0087763 115-MAR-06



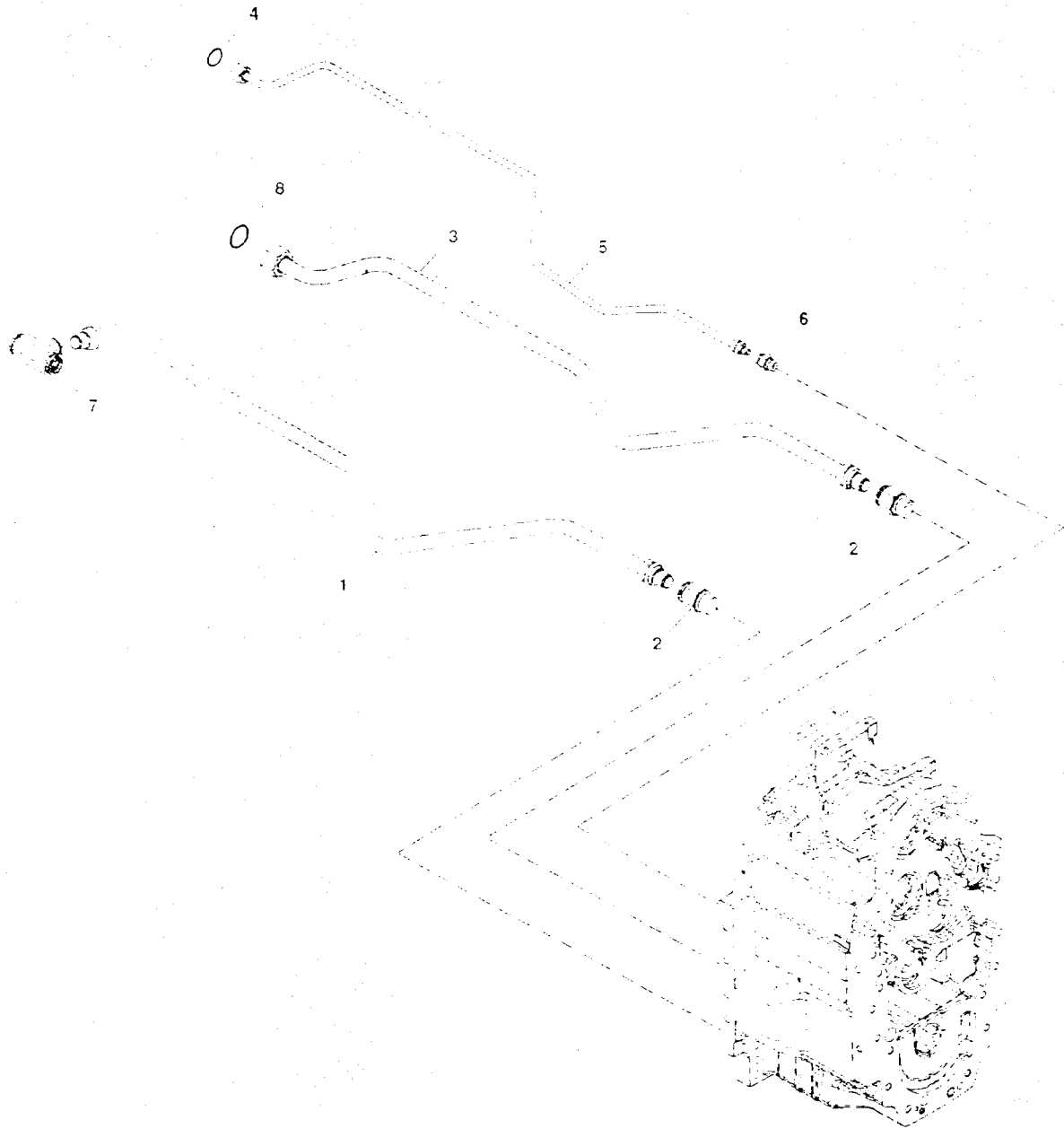
RXA0087763

THIS PARTS LISTING IS CONTINUED

KEY	PART NO.	PART NAME	QTY.	TRANSMISSION SERIAL NO.	A L L	REMARKS
						X (INCLUDES R121580 AND (2 R48685) (IVT)
1	RE246599	TRANSMISSION CASE	1			X (PST)
	R220359	TRANSMISSION CASE	1			X 23.600 X 2.900 MM
2	51M7047	O-RING	2			
3	38H5202	ADAPTER FITTING	1			X
4	RE181793	FITTING	1			X 13.300 X 2.200 MM. (USE WITH 38H5037)
5	51M7042	O-RING	1			X 11.300 X 2.200 MM. (SERVICED IN 38H5002)
	51M7041	O-RING	1			X (USE WITH RE246599)
6	38H5037	ADAPTER FITTING	1			X (USE WITH R220359)
	38H5002	ADAPTER FITTING	1			X
7	T77613	O-RING	2			X (USE WITH RE246599)
8	38H5037	ADAPTER FITTING	1			X (USE WITH R220359)
	38H5002	ADAPTER FITTING	1			X 11.300 X 2.200 MM. (SERVICED IN 38H5002)
9	51M7041	O-RING	1			X 13.300 X 2.200 MM. (USE WITH 38H5037)
	51M7042	O-RING	1			X
	38H5002	ADAPTER FITTING	1			X
10	RE172190	OIL LINE	1			X
11	R121580	PIPE PLUG	1			X
12	R121580	PIPE PLUG	2			X
13	R48685	DOWEL PIN	1			X
14	RE519144	SENSOR	1			X 17.300 X 2.200 MM
15	51M7044	O-RING	1			

TRANSMISSION LINES  
CONDUITES DE TRANSMISSION  
BETRIEBE-LEITUNGEN  
LINEE DELLA TRASMISSIONE  
LINEAS DE TRANSMISION  
TRANSMISSIONSLEDNINGAR

RXA0081850 08-AUG-05



RXA0081850

THIS PARTS LISTING IS CONTINUED

8130, 8230, 8330, 8430, 8530 TRACTORS PC9451 (08-AUG-05)

KEY	PART NO.	PART NAME	QTY	TRACTOR SERIAL NO	A L L	REMARKS
1	RE220185	OIL LINE	1		X	(C) (PST)
	RE243543	OIL LINE	1		X	(C) (IVT)
2	62M1002	ADAPTER FITTING	2		X	
3	RE220189	OIL LINE	1		X	(B) (PST)
	RE243541	OIL LINE	1		X	(B) (IVT)
4	T77613	O-RING	1		X	(A) (PST)
5	RE220188	OIL LINE	1		X	(A) (IVT)
	RE215902	OIL LINE	1		X	
6	62M1000	ADAPTER FITTING	1		X	
7	62M1004	ADAPTER FITTING	1		X	
8	T77858	O-RING	1		X	

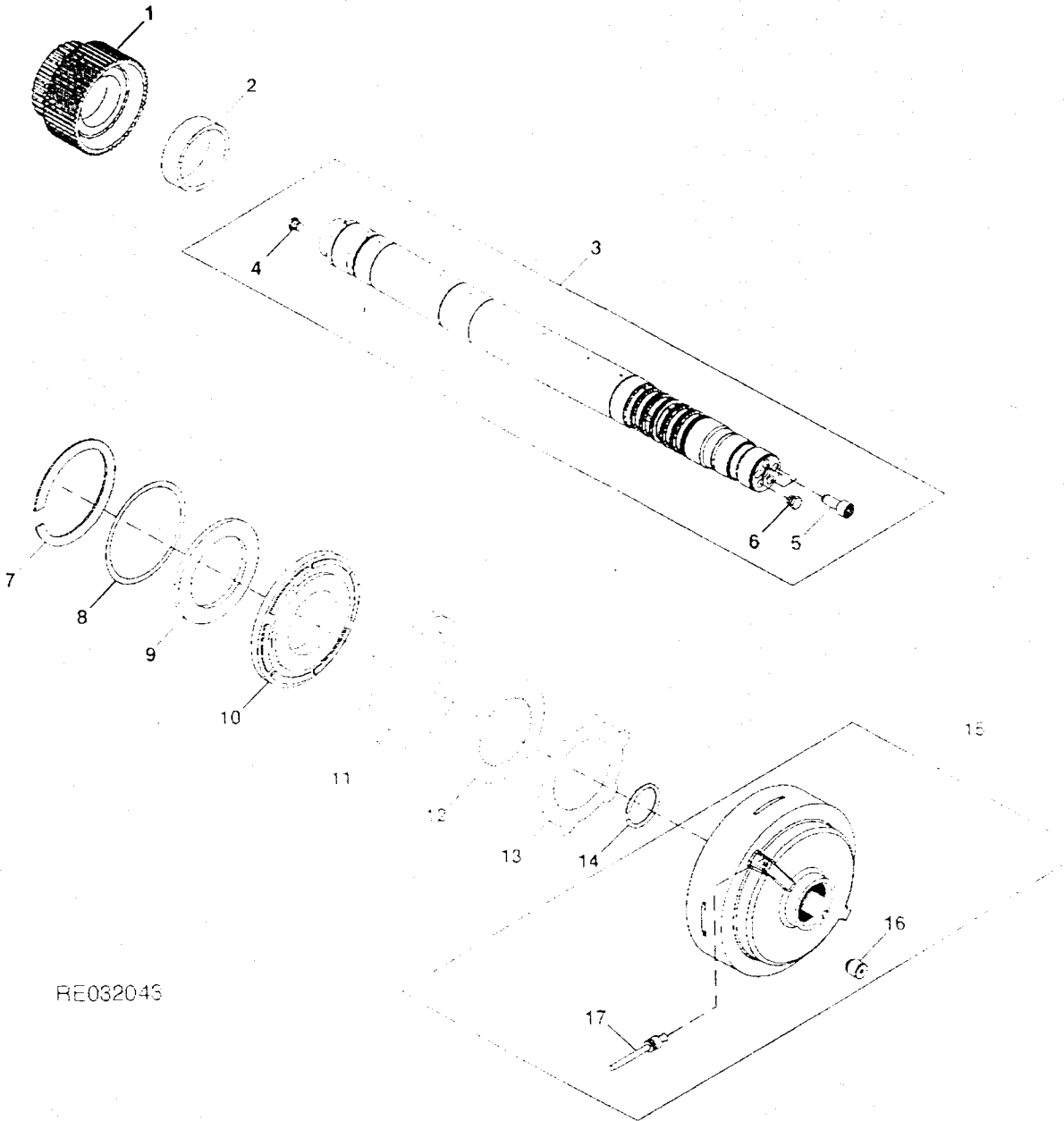
(A) LOAD SENSE  
 DETECTION DE CHARGE  
 PILOTDRUCK  
 RILEVAMENTO DEL CARICO  
 DETECCION DE CARGA  
 BELASTNINGSAVKAENNING

(B) PRESSURE  
 PRESSION  
 DRUCK  
 PRESSIONE  
 PRESION  
 TRYCK

(C) RETURN  
 RETOUR  
 RUECKLAUF  
 RITORNO  
 RETORNO  
 RETUR

CLUTCH  
EMBRAYAGE  
KUPPLUNG  
FRIZIONE  
EMBRAGUE  
KOPPLING

RE032043 -UN-17MAY01



RE032043

THIS PARTS LISTING IS CONTINUED

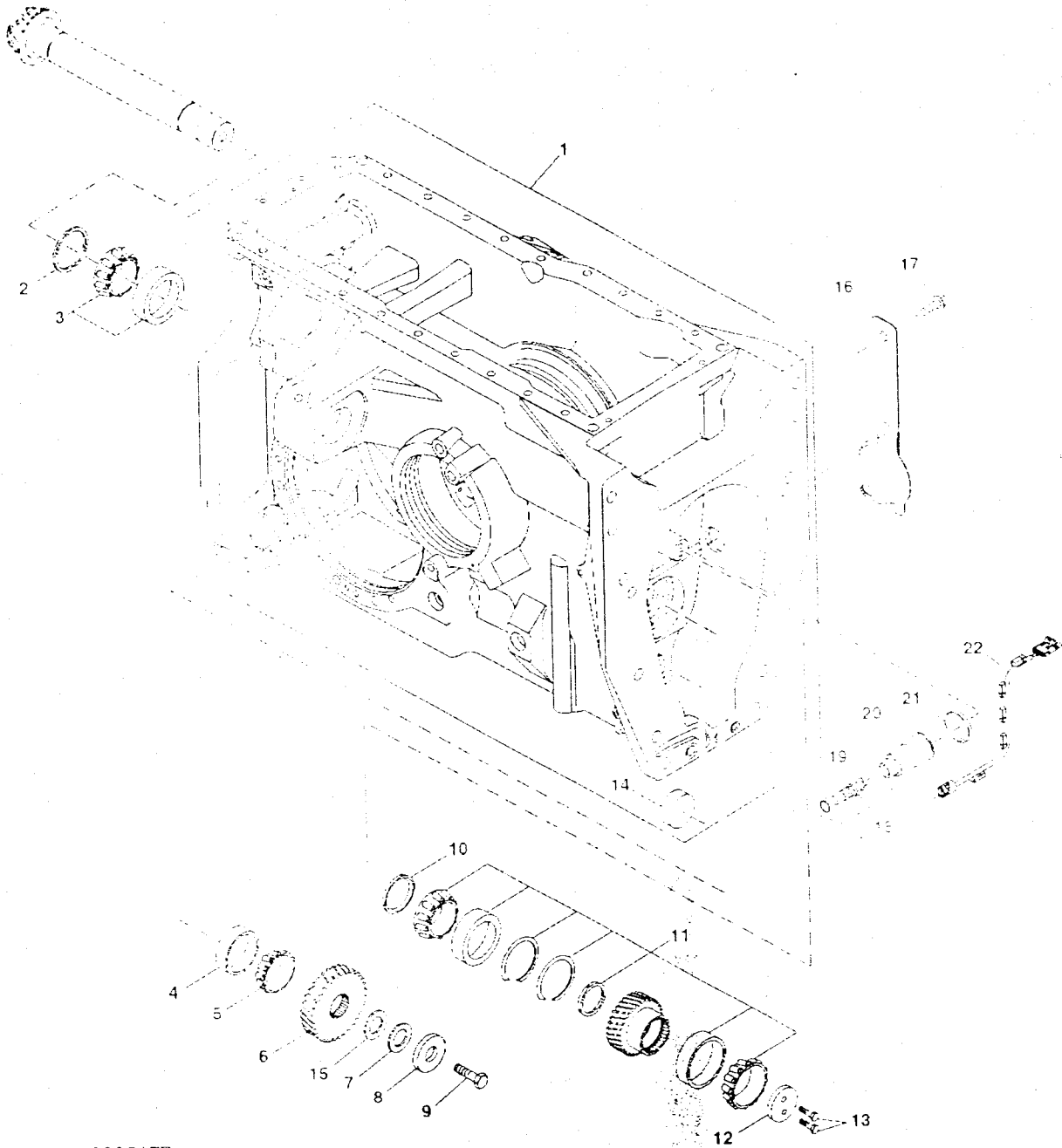
# 55-7

JOHN DEERE INDEPENDENT LINK SUSPENSION

KEY	PART NO.	PART NAME	QTY.	TRACTOR SERIAL NO.	A L L	REMARKS
1	R171776	GEAR	1		X	
2	R174304	BUSHING	1		X	
3	RE244890	SHAFT	1		X	
4	R121580	PIPE PLUG	3		X	
5	RE168481	VALVE	3		X	
6	R121580	PIPE PLUG	1		X	
7	R108526	SNAP RING	1		X	
8	R108533	ROUND RETAINER	1		X	
9	R155951	DISK SPRING	1		X	
10	R155952	PLATE	1		X	
11	RE173579	SEAL	1		X	
12	RE67458	DISK WITH INNER SPLINE	6		X	
13	R108507	CLUTCH PLATE	6		X	
14	R114345	SNAP RING	1		X	
15	RE181887	DRUM	1		X	(MARKED R155922)
16	RE45393	VALVE SEAT	1		X	
17	AT107509	PLUG	1		X	

DIFFERENTIAL CASE  
CARTER DE DIFFERENTIEL  
DIFFERENTIAL GEHAEUSE  
SCATOLA DEL DIFFERENZIALE  
CAJA DEL DIFERENCIAL  
DIFFERENTIALKAAPA

RXA0085177 28NOV05



RXA0085177

THIS PARTS LISTING IS CONTINUED

8130, 8230, 8330, 8430, 8530 TRACTORS PC9451 (01-DEC-05)

KEY	PART NO.	PART NAME	QTY	TRACTOR SERIAL NO.	A L L	REMARKS
1	RE228861 RE228877	CASE CASE	1 1		X	(SUB RE257333 AND (2) R119654)
	RE228877	CASE	1		X	(C) (ALSO ORDER R228847 AND (2) R119654 (IVT)
					X	(C) (ALSO ORDER R502753 AND (2) R119654 (PST)
2	R172054 R172055 R172056	SHIM SHIM SHIM	AR AR AR		X	0.08 MM (0.003")
					X	0.13 MM (0.005")
					X	0.25 MM (0.010")
3	RE174158	TAPERED ROLLER BEARING	1		X	
4	JD7446	BEARING CUP	1		X	
5	JD8932	BEARING CONE	1		X	
6	R165082	GEAR	1		X	0.08 MM (0.003")
7	T13331 T13332 T13333	SHIM SHIM SHIM	AR AR AR		X	0.13 MM (0.005")
					X	0.25 MM (0.010")
8	R193851	WASHER	1		X	M16 X 100, HS 10.9
9	R94166	CAP SCREW	1		X	
10	R175396	SPACER	1		X	(A)
11	RE228851 RE228852	HELICAL GEAR HELICAL GEAR	1 1		X	(B)
12	R175395	RETAINER	1		X	M8 X 25, HS 12.9
13	R186228	CAP SCREW	2		X	
14	R82007	PLUG	1		X	0.025"
15	24H1390	SHIM	1		X	(IVT)
16	R235988	GUARD	1		X	M8 X 25, HS 12.9
17	19M7867	SCREW	2		X	(IVT)
18	RE519144	SENSOR	1		X	17.300 X 2.000 MM. (IVT)
19	51M7044	O-RING	1		X	(IVT)
20	R228847	SLEEVE	1		X	(PST)
21	R502753	PLUG	1		X	(IVT)
22	RE234015	CHASSIS WIRING HARNESS	1		X	(IVT)

(A) 4 STEP  
4 MARCHE  
4 TRITT  
4 PREDELLINO  
4 PELDANO  
4 FOTSTEG

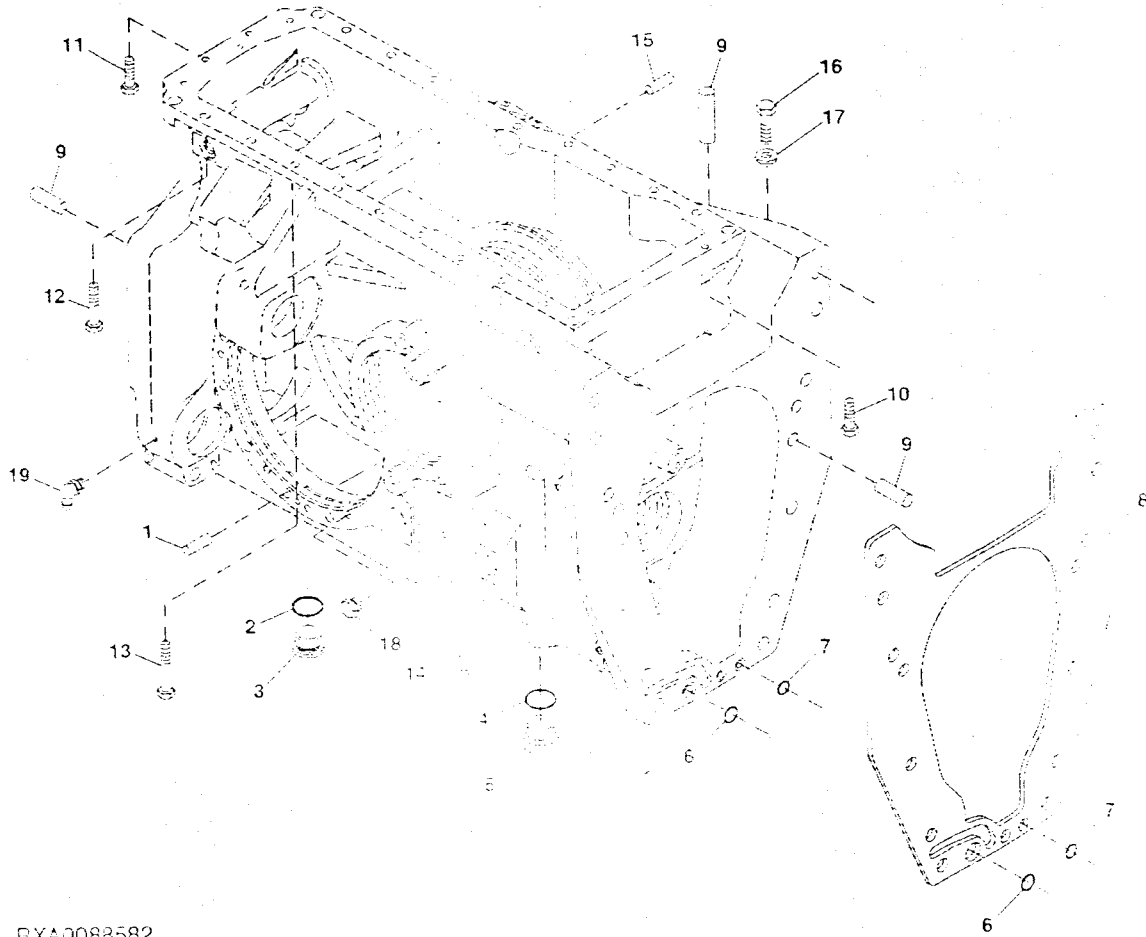
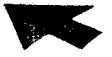
3 3 STEP  
3 MARCHE  
3 TRITT  
3 PREDELLINO  
3 PELDANO  
3 FOTSTEG

(C) W BRAKES  
W FREINS  
W FREMS  
W FRENI  
W FRENOS  
W FREMS



DIFFERENTIAL CASE GASKET AND PLUGS  
BOITE DE DIFFERENTIEL, JOINT ET BOUCHONS  
AUSGLEICHSGEHAUSE, DICTUNG UND STOPFEN  
SCATOLA DEL DIFFERENZIALE, GUARNIZIONE E TAPPI  
CAJA DEL DIFERENCIAL, EMPAQUETADORA Y TAPONES  
DIFFERENTIALKAAPA, PACKNING OCH PLUGGAR

RXA0088582 -UN-



RXA0088582

THIS PARTS LISTING IS CONTINUED

# 55-11

JOHN DEERE INDEPENDENT LINK SUSPENSION

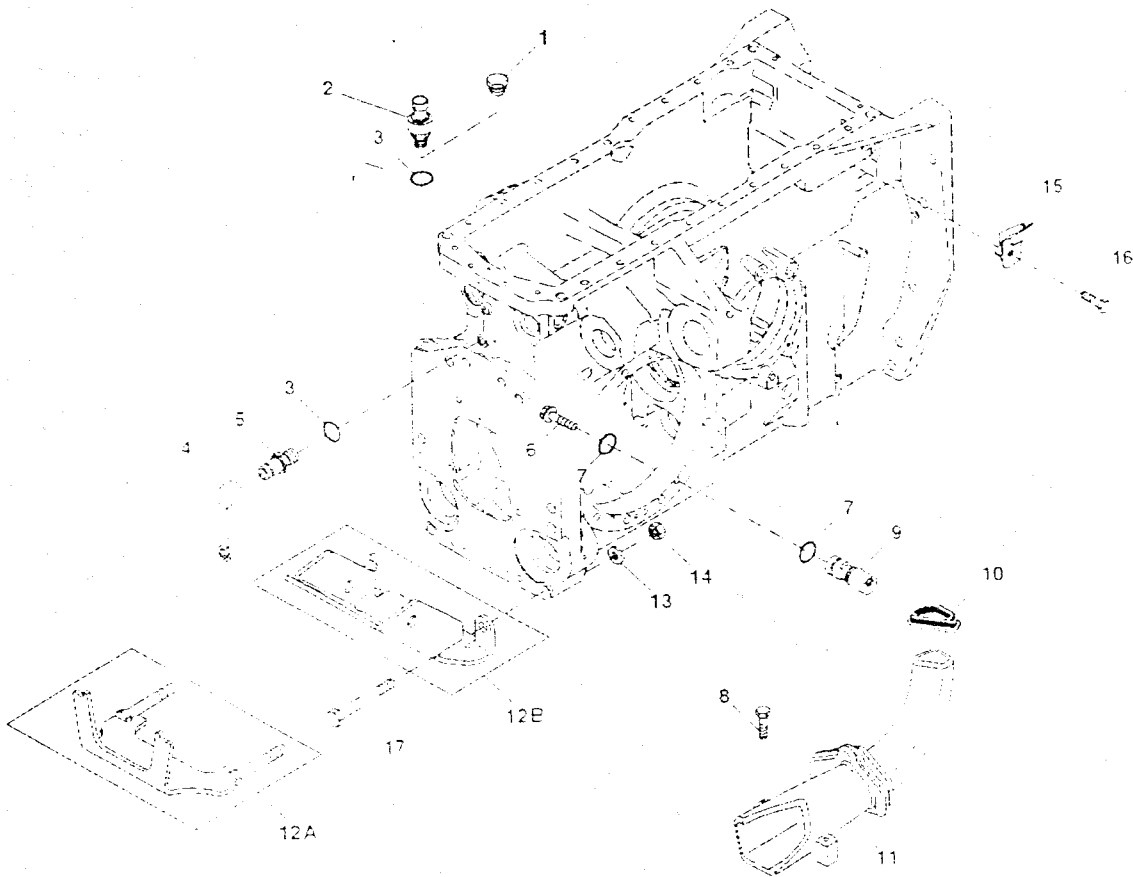
KEY	PART NO.	PART NAME	QTY.	TRACTOR SERIAL NO.	A L L	REMARKS
1	R54381	DOWEL PIN	2		X	
2	P47889	O-RING	1		X	
3	R98012	FITTING PLUG	1		X	
4	F3171R	O-RING	2		X (A)	
5	R84262	FITTING PLUG	2		X (A)	
6	F3171R	O-RING	2		X	
7	R56465	O-RING	2		X	
8	R228278	GASKET	1		X (PST)	
	R228279	GASKET	1		X (VT)	
9	R119654	DOWEL PIN	6		X	
10	R122474	SCREW	4		X	
11	R134184	SCREW	2		X	
12	19H3619	SCREW	6		X	1 2" X 1-3/4"
13	R122475	SCREW	4		X	
14	R122476	SCREW	4		X	
15	R54380	DOWEL PIN	2		X	
16	19M9135	CAP SCREW	16		X	M20 X 100, HS 13.9
17	24M7242	WASHER	16		X	21.400 X 42 X 5.1MM
18	AT107510	RIVET	17		X	
19	JD7781	LUBRICATION FITTING	2		X	

(A) W/ SECONDARY BRAKE  
W/ FREIN SECONDAIRE  
W/ ZWEITBREMSE  
W/ FRENO SECONDARIO  
W/ FRENO SECUNDARIO  
W/ PARKERINGSBROMS

DIFFERENTIAL CASE OIL EVACUATION  
EVACUATION DE L'HUILE DE BOITE DE DIFFERENTIEL  
LEERPUMPEN DES AUSGLEICHSGEHAUSEOELS  
SCARICO OLIO SCATOLA DEL DIFFERENZIALE  
EVACUACION DE ACEITE DE CAJA DEL DIFERENCIAL  
OLJEEVAKUERING UR DIFFERENTIALKAAPA

RXA0085327

-UN-19DEC05



REVISED

THIS PARTS LISTING IS CONTINUED

# 55-13

JOHN DEERE INDEPENDENT LINK SUSPENSION

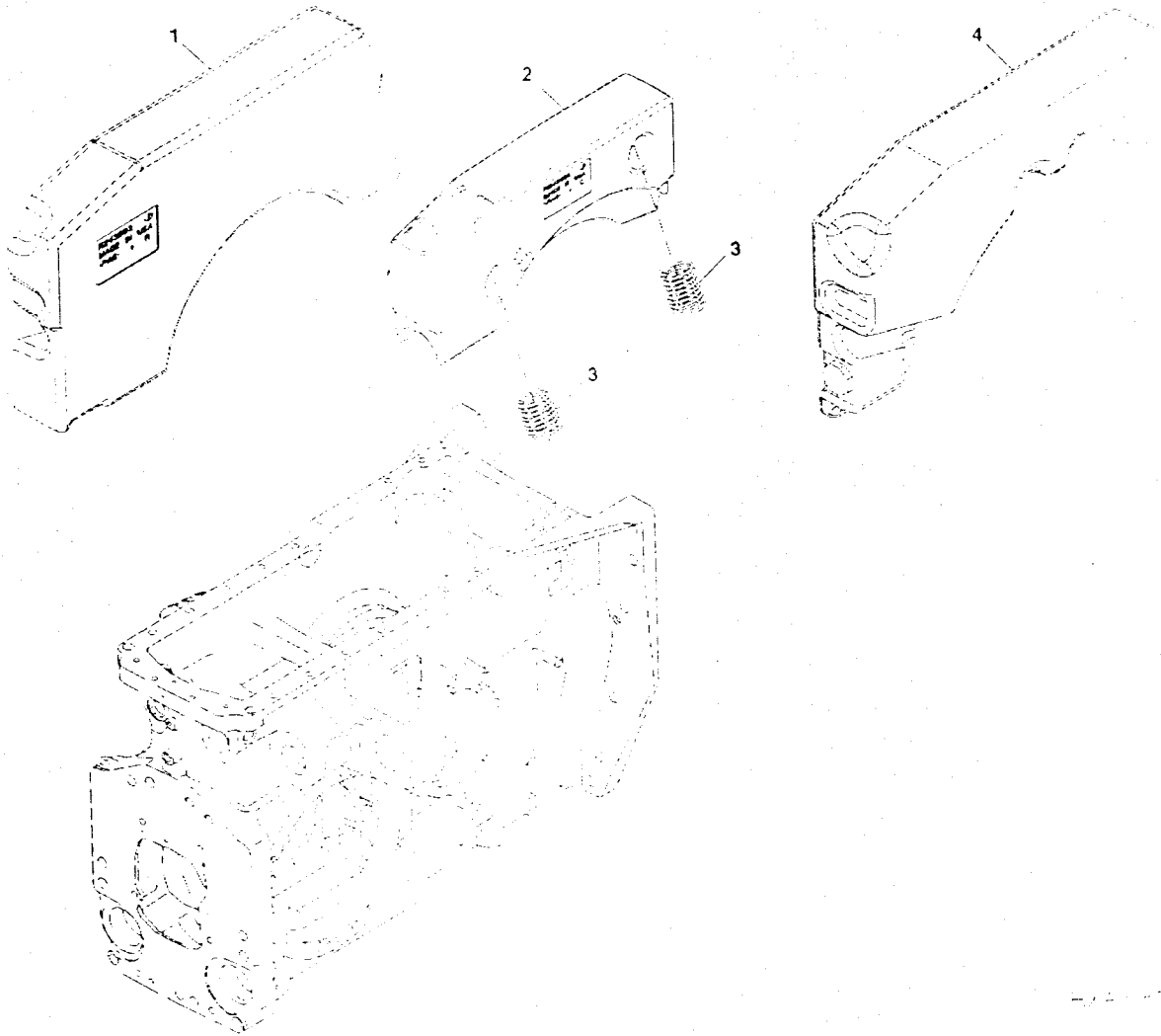
KEY	PART NO.	PART NAME	QTY	TRACTOR SERIAL NO.	A L L	REMARKS
1	RE46684	PLUG	1		X (A)	
2	RE217077	TRANS OIL PRESSURE SENSOR	1		X (B)	
3	51M7041	O-RING	2		X	11.300 X 2.200 MM
4	R77175	COVER	1		X	
5	RE190805	DIAGNOSTIC COUPLING	1		X	
6	19M7861	SCREW	1		X	M6 X 10, HS 10.9
7	T77857	O-RING	2		X	
8	R186227	SCREW	2		X	M8 X 60, HS 10.9
9	R167986	LUBRICATION FITTING	1		X	
10	R191554	SEAL	1		X	
11	R185318	HOUSING	1		X	
12A	RE240923	SKID PLATE	1	-XXXXXX	X	
12B	R238757	SKID PLATE	1	XXXXXX-	X	
13	24M7242	WASHER	2		X	21 400 X 42 X 5 MM
14	14M7277	NUT	2		X	M20
15	R180952	SHIELD	1		X	R.H.
	R180953	SHIELD	1		X	L.H.
16	R155708	SELF-LOCKING SCREW	1		X	M8 X 45, HS 12.9
17	19M9137	CAP SCREW	1	XXXXXX-	X	M20 X 120

(A) W/O SECONDARY BRAKE  
 W/O FREIN SECONDAIRE  
 W/O ZWEITBREMSE  
 W/O FRENO SECONDARIO  
 W/O FRENO SECUNDARIO  
 W/O PARKERINGSBROMS

(B) W SECONDARY BRAKE  
 W FREIN SECONDAIRE  
 W SWEITBREMSE  
 W FRENO SECONDARIO  
 W FRENO SECUNDARIO  
 W PARKERINGSBROMS

OIL DISPLACEMENT TANKS  
RESERVOIRS DE DEPLACEMENT D'HUILE  
OELVERDRAENGUNGSBEHAELTER  
SERBATOIO DELL'OLIO  
DEPOSITOS DE DESPLAZAMIENTO DE ACEITE  
OLJEFOERSKJUTNINGSTANK

PXA0081430 -UN-15JUN05



THIS PARTS LISTING IS CONTINUED

# 55-15

JOHN DEERE INDEPENDENT LINK SUSPENSION

KEY	PART NO.	PART NAME	QTY.	TRACTOR SERIAL NO.	A L L	REMARKS
1	R243983	TANK	1		X	
2	R243985	TANK	1		X	
3	M76625	COMPRESSION SPRING	2		X	SJB R253025
4	R243984	TANK	1		X	



## 55-17

JOHN DEERE INDEPENDENT LINK SUSPENSION

KEY	PART NO.	PART NAME	QTY.	TRACTOR SERIAL NO.	A L L	REMARKS
1	R42765	SHIM	AR		X	0.08 MM (0.003")
	R48811	SHIM	AR		X	0.25 MM (0.010")
	R42766	SHIM	AR		X	0.13 MM (0.005")
2	JD9050	BEARING CONE	1		X	
3	JD9115	BEARING CUP	1		X	
4	RE214894	RING GEAR AND PINION	1		X	
5	R166222	PLATE	8		X	
6	RE166223	CLUTCH DISK	8		X	
7	R166184	HOUSING	1		X	
8	R168306	THRUST WASHER	2		X	
9	R165084	BEVEL GEAR	1		X	(SUB R237715)
10	R135876	THRUST WASHER	4		X	
11	R135875	PINION	4		X	(SUB R237709)
12	R131511	SHAFT	2		X	
13	R62129	NEEDLE ROLLER	2		X	
14	R131346	SHAFT	1		X	
15	R167970	BEVEL GEAR	1		X	(SUB R237714)
16	R166185	COVER	1		X	
17	24M7241	WASHER	12		X	17 X 34 X 4 MM
18	19M8043	CAP SCREW	12		X	M16 X 140, HS 10.9
19	JD9055	BEARING CONE	1		X	
20	JD9118	BEARING CUP	1		X	
21	R172051	SHIM	AR		X	0.08 MM (.003")
	R172052	SHIM	AR		X	0.13 MM (.005")
	R172053	SHIM	AR		X	0.25 MM (.010")
22	R166225	PISTON RING	1		X	
23	R188989	PISTON	1		X	
24	R167971	WASHER	1		X	



DIFFERENTIAL LOCK OIL LINES (IVT/50K/EV)  
BLOCAGE DE DIFFERENTIEL TUYAUTERIES D'HUILE (IVT/50K/EV)  
DIFFERENTIALSPERRE OELLEITUNGEN (IVT/50K/EV)  
BLOCCO DEL DIFFERENZIALE TUBAZIONI OLIO (IVT/50K/EV)  
BLOQUEO DE DIFERENCIAL TUBERIAS DE ACEITE (IVT/50K/EV)  
DIFFERENTIALSPARR OLJELEDNINGAR (IVT/50K/EV)

RXA0088314

UN:11APR08



RXA0088314

THIS PARTS LISTING IS CONTINUED

8130, 8230, 8330, 8430, 8530 TRACTORS PC9451 (12-APR-08) PR-5

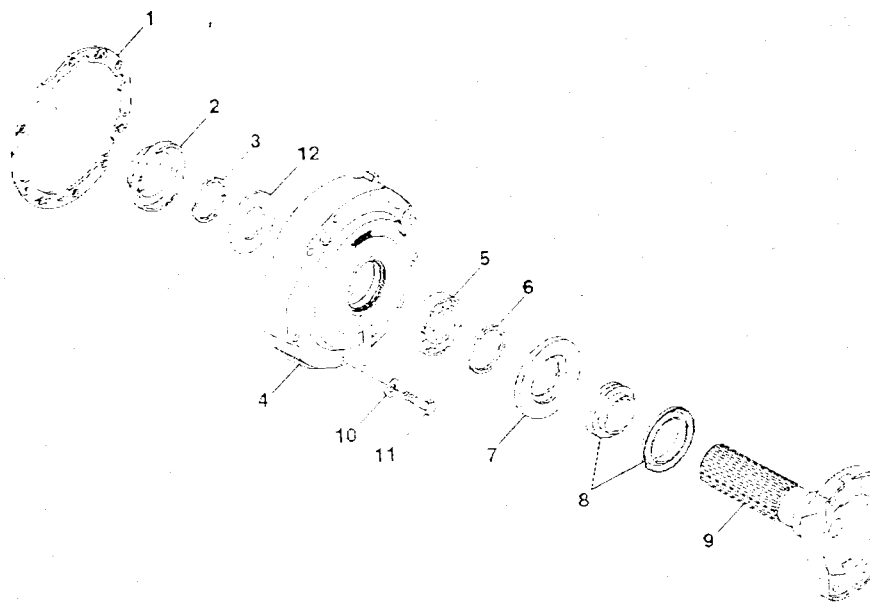
# 55-19

JOHN DEERE INDEPENDENT LINK SUSPENSION

KEY	PART NO	PART NAME	QTY.	TRACTOR SERIAL NO.	A L L	REMARKS
1	RE258212	ADAPTER FITTING	1		X	
2	T77613	O-RING	1		X	
3	51M7041	O-RING	1		X	
4	RE258646	HYDRAULIC HOSE	1		X	
5	RE260559	OIL LINE	1		X	
6	RE260560	OIL LINE	1		X	

DIFFERENTIAL COVER (R.H.)  
COUVERCLE DE DIFFERENTIEL (R.H.)  
DIFFERENTIALDECKEL (R.H.)  
COPERCHIO DEL DIFFERENZIALE (R.H.)  
CUBIERTA DEL DIFERENCIAL (R.H.)  
DIFFERENTIALSKYDD (R.H.)

RXA0076363 -UN-15JUL04



RXA0076363

THIS PARTS LISTING IS CONTINUED

8130, 8230, 8330, 8430, 8530 TRACTORS PC9451 (12-APR-06) PN=520

## 55-21

JOHN DEERE INDEPENDENT LINK SUSPENSION

KEY	PART NO.	PART NAME	QTY.	TRACTOR SERIAL NO.	A L L	REMARKS
1	R192050	GASKET	1		X	
2	R175449	PLUG	1		X (A)	
3	40M7027	SNAP RING	1		X	
4	R175397	COVER	1		X	
5	RE175448	BALL BEARING	1		X	
6	40M7285	SNAP RING	1		X	
7	RE160203	SEAL	1		X	
8	RE193099	SEAL	1		X	
9	R223502	YOKE	1		X	(ALSO ORDER 24M7335 AND 40M7027)
10	24M7241	WASHER	9		X	17 X 34 X 4 MM
11	19M8020	CAP SCREW	9		X	M16 X 100
12	24M7335	WASHER	1		X	45 X 55 X 3 MM

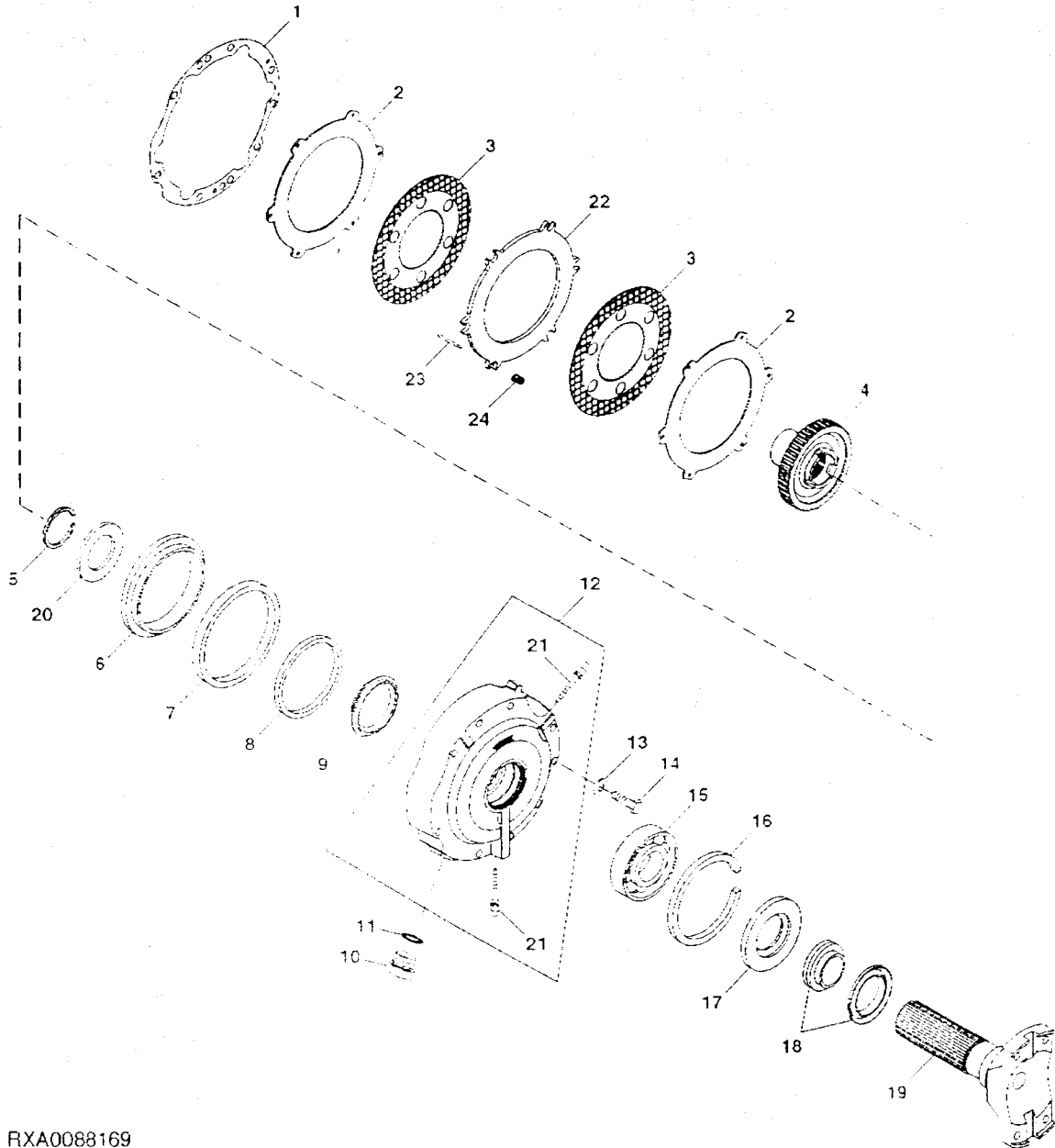
(A) OIL LEVEL CONTROL  
 CONTROL E DU NIVEAU D'HUILE  
 OELSTANDSREGELUNG  
 COMANDO LIVELLO OLIO  
 CONTROL DE NIVEL DE ACEITE  
 OLJENIVAAREGULATOR

# 55-22

JOHN DEERE INDEPENDENT LINK SUSPENSION

DIFFERENTIAL COVER (R.H.) (W/ BRAKES) (50K/IVT/EV)  
COUVERCLE DE DIFFERENTIEL (R.H.) (W/ FREINS) (50K/IVT/EV)  
DIFFERENTIALDECKEL (R.H.) (W/ BREMS) (50K/IVT/EV)  
COPERCHIO DEL DIFFERENZIALE (R.H.) (W/ FRENI) (50K/IVT/EV)  
CUBIERTA DEL DIFERENCIAL (R.H.) (W/ FRENOS) (50K/IVT/EV)  
DIFFERENTIALSKYDD (R.H.) (W/ BROMS) (50K/IVT/EV)

RXA0088169 -UN-10APR06



RXA0088169

THIS PARTS LISTING IS CONTINUED

# 55-23

JOHN DEERE INDEPENDENT LINK SUSPENSION

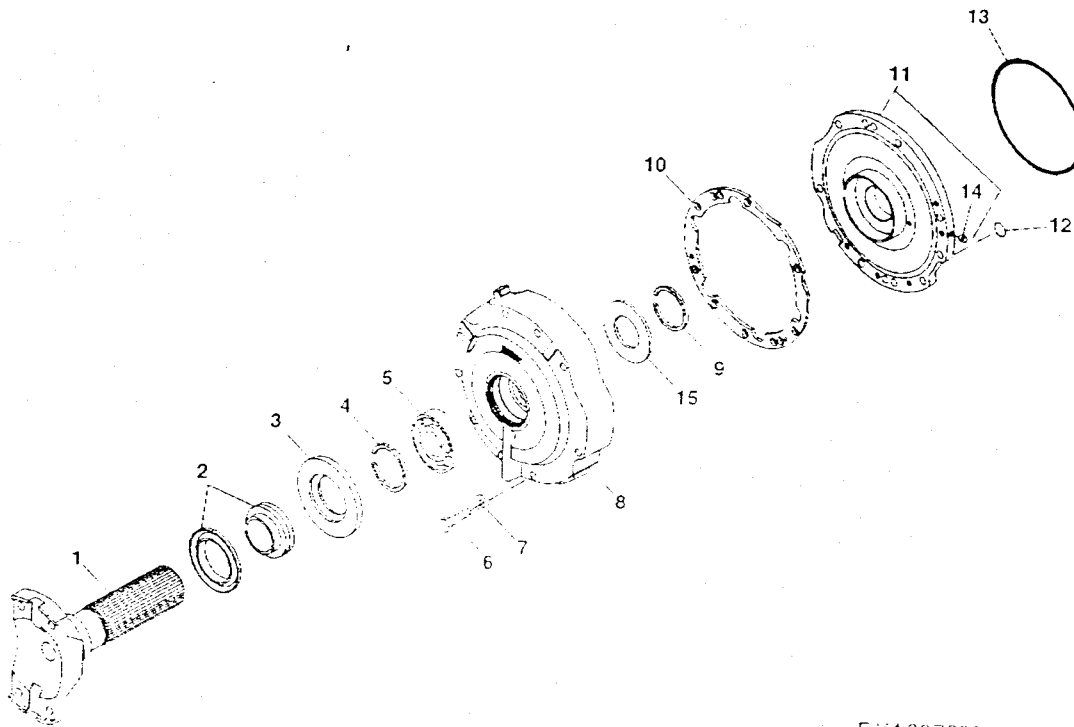
KEY	PART NO.	PART NAME	QTY.	TRACTOR SERIAL NO.	A L L	REMARKS
1	R192050	GASKET	1		X	
2	R244253	CLUTCH PLATE	2		X	
3	RE250535	BRAKE DISK	2		X	
4	R224074	SPLINED COUPLING	1		X	
5	40M7027	SNAP RING	1		X	
6	R240975	PISTON	1		X	
7	R167972	SEAL	1		X	
8	R254355	SEAL	1		X	
9	RE158634	SEAL	1		X	
10	R84262	FITTING PLUG	1		X	
11	F3171R	O-RING	1		X	
12	RE245720	COVER	1		X	
13	24M7241	WASHER	9		X	17 X 34 X 4 MM
14	19M8020	CAP SCREW	9		X	M16 X 100 HS 10.9
15	RE175448	BALL BEARING	1		X	
16	40M7285	SNAP RING	1		X	
17	RE160203	SEAL	1		X	
18	RE193099	SEAL	1		X	
19	R254257	YOKE	1		X	
20	24M7335	WASHER	1		X	45 X 55 X 3 MM
21	AT107509	PLUG	2		X	
22	R252675	PLATE	1		X	
23	34M7119	SPRING PIN	6		X	
24	R240970	COMPRESSION SPRING	6		X	

# 55-24

JOHN DEERE INDEPENDENT LINK SUSPENSION

DIFFERENTIAL COVER (L.H.)  
COUVERCLE DE DIFFERENTIEL (L.H.)  
DIFFERENTIALDECKEL (L.H.)  
COPERCHIO DEL DIFFERENZIALE (L.H.)  
CUBIERTA DEL DIFERENCIAL (L.H.)  
DIFFERENTIALSKYDD (L.H.)

RXA0076364 -UN-15JUL04



RXA0076364

55-24 THIS PARTS LISTING IS CONTINUED

8130, 8230, 8330, 8430, 8530 TRACTORS PC9451 (12-A, PR-06)  
PN=524

# 55-25

JOHN DEERE INDEPENDENT LINK SUSPENSION

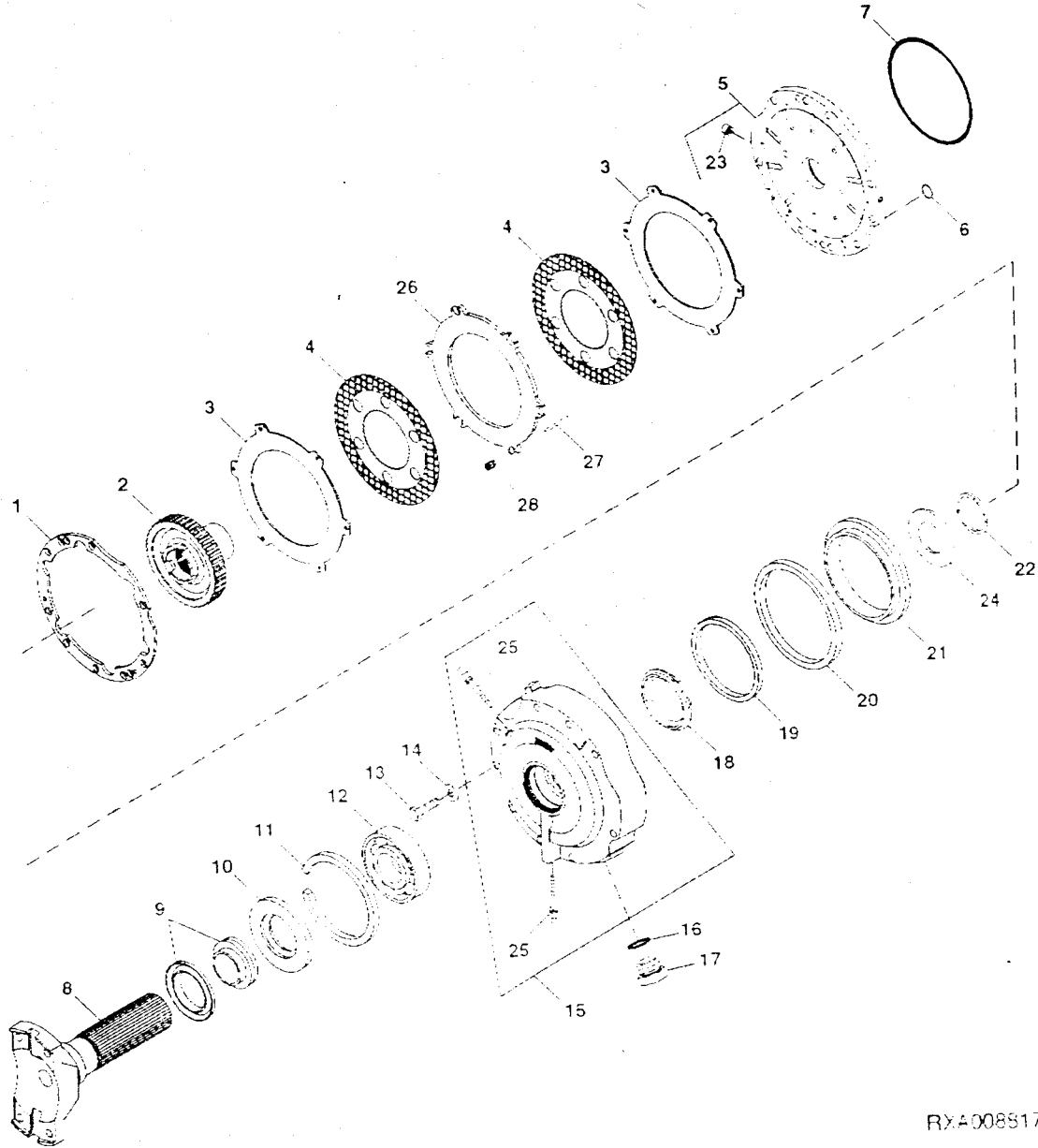
KEY	PART NO.	PART NAME	QTY.	TRACTOR SERIAL NO.	A L L	REMARKS
1	R223502	YOKE	1		X	
2	RE193099	SEAL	1		X	
3	RE160203	SEAL	1		X	
4	40M7285	SNAP RING	1		X	
5	RE175448	BALL BEARING	1		X	M16 X 100
6	19M8020	CAP SCREW	9		X	17 X 34 X 4 MM. HS 10.9
7	24M7241	WASHER	1		X	
8	R175398	COVER	1		X	
9	40M7027	SNAP RING	1		X	
10	R192050	GASKET	1		X	(SUB RE245721)
11	RE228010	COVER	5		X	
12	R28782	O-RING	1		X	
13	R180078	RING	1		X	
14	AT107510	RIVET	1		X	45 X 55 X 3 MM
15	24M7335	WASHER	1		X	



DIFFERENTIAL COVER (L.H.) (W/ BRAKES) (50K/IVT/EV)  
COUVERCLE DE DIFFERENTIEL (L.H.) (W/ FREINS) (50K/IVT/EV)  
DIFFERENTIALDECKEL (L.H.) (W/ BREMS) (50K/IVT/EV)  
COPERCHIO DEL DIFFERENZIALE (L.H.) (W/ FRENI) (50K/IVT/EV)  
CUBIERTA DEL DIFERENCIAL (L.H.) (W/ FRENOS) (50K/IVT/EV)  
DIFFERENTIALSKYDD (L.H.) (W/ BROMS) (50K/IVT/EV)

RXA0088170

-UN-11APR06



RXA0088170

THIS PARTS LISTING IS CONTINUED

8130, 8230, 8330, 8430, 8530 TRACTORS PC9451 (12-APR-06)  
D=522

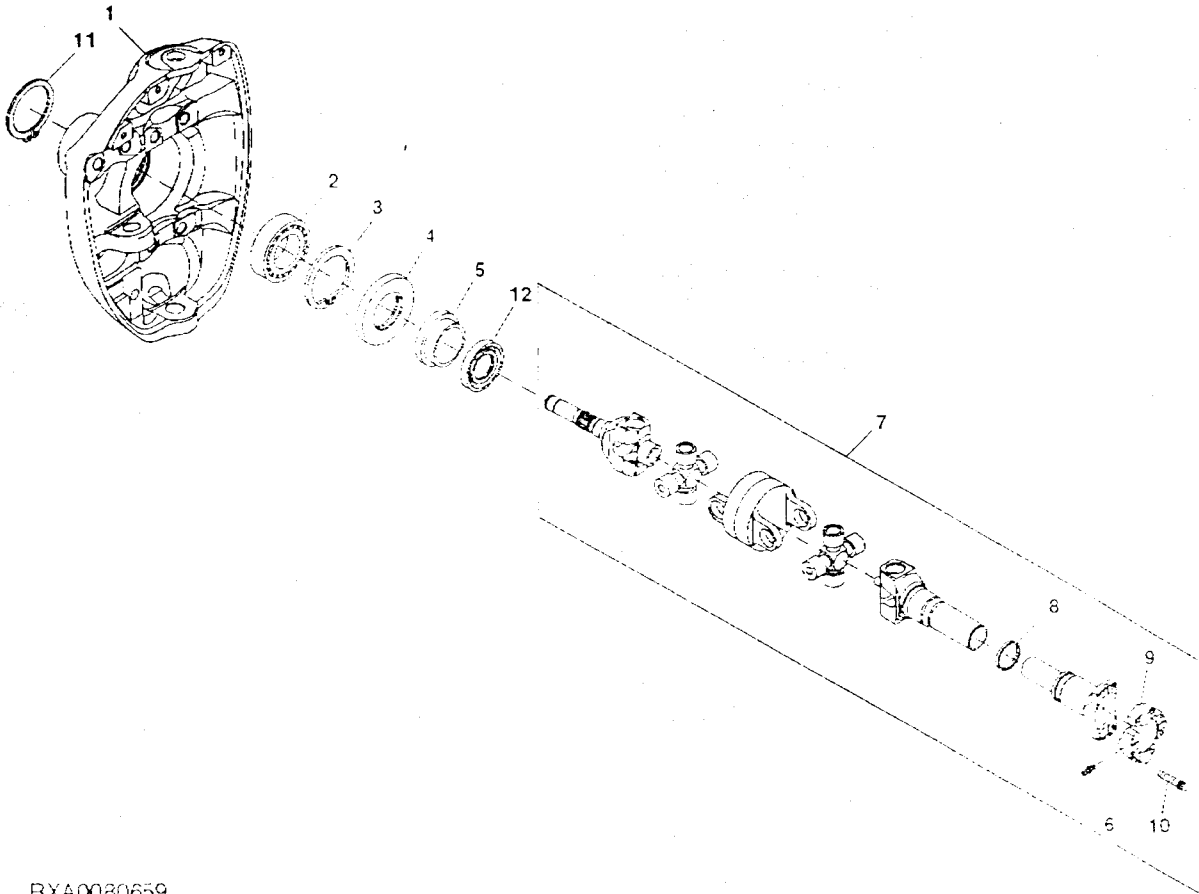
# 55-27

JOHN DEERE INDEPENDENT LINK SUSPENSION

KEY	PART NO.	PART NAME	QTY.	TRACTOR SERIAL NO.	A L L	REMARKS
1	R192050	GASKET	1		X	
2	R224074	SPLINED COUPLING	1		X	
3	R244253	CLUTCH PLATE	2		X	
4	RE250535	BRAKE DISK	2		X	
5	RE245721	HOUSING	1		X	
6	R28782	O-RING	5		X	8.915 X 1.829 MM
7	R180078	RING	1		X	
8	R254257	YOKE	1		X	
9	RE193099	SEAL	1		X	
10	RE160203	SEAL	1		X	
11	40M7285	SNAP RING	1		X	
12	RE175448	BALL BEARING	1		X	
13	19M8020	CAP SCREW	9		X	M16 X 100. HS 10.9
14	24M7241	WASHER	9		X	17 X 34 X 4 MM
15	RE245719	COVER	1		X	
16	F3171R	O-RING	1		X	
17	R84262	FITTING PLUG	1		X	
18	RE158634	SEAL	1		X	
19	R254355	SEAL	1		X	
20	R167972	SEAL	1		X	
21	R240975	PISTON	1		X	
22	40M7027	SNAP RING	1		X	
23	AT107510	RIVET	1		X	
24	24M7335	WASHER	1		X	45 X 55 X 3 MM
25	AT107509	PLUG	2		X	
26	R252675	PLATE	1		X	
27	34M7037	SPRING PIN	6		X	
28	R240970	COMPRESSION SPRING	6		X	

DRIVE LINE AND KNUCKLE  
ARBRE DE TRANSMISSION ET ARTICULATION  
ANTRIEBSWELLE UND ACHSSCHENKEL  
ALBERO DI TRASMISSIONE E SNODO  
LINEA DE MANDO Y ARTICULACION  
KARDANAXEL OCH HJULSPINDEL

RXA0080659 -UN-04MAY05



RXA0080659

THIS PARTS LISTING IS CONTINUED

# 55-29

JOHN DEERE INDEPENDENT LINK SUSPENSION

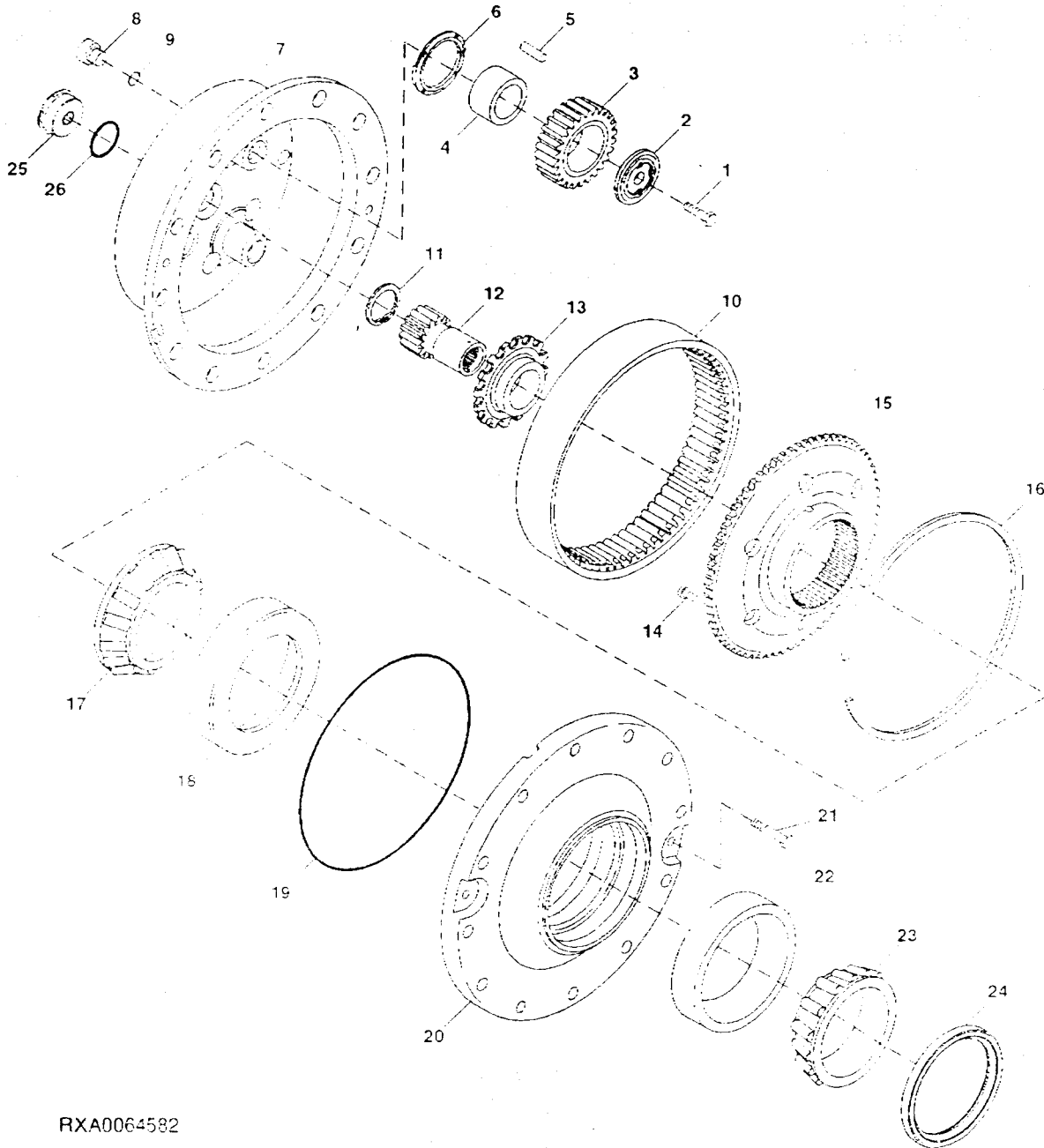
KEY	PART NO.	PART NAME	QTY.	TRACTOR SERIAL NO.	A L L	REMARKS
1	R167919	KNUCKLE	1		X	L.H.
	R167918	KNUCKLE	1		X	R.H.
2	RE175448	BALL BEARING	1		X	
3	40M7285	SNAP RING	1		X	
4	RE160203	SEAL	1		X	
5	RE65592	SEAL	1		X	
6	58M5575	LUBRICATION FITTING	2		X	
7	RE209133	U-JOINT WITH SHAFT & SHIELD	1		X	
8	R180954	SEAL	1		X	
9	RE183350	CROSS AND BEARING ASSEMBLY	1		X	
10	R100357	SCREW	4		X	
11	40M7013	SNAP RING	1		X	
12	R157679	OIL SLINGER	1		X	

# 55-30

JOHN DEERE INDEPENDENT LINK SUSPENSION

FINAL DRIVE  
REDUCTEUR  
ENDANTRIEB  
COPPIA CONICA  
MANDO FINAL  
NSKSCRLBSRCL

RXA0064582 -UN-09JAN03



RXA0064582

THIS PARTS LISTING IS CONTINUED

# 55-31

## JOHN DEERE INDEPENDENT LINK SUSPENSION

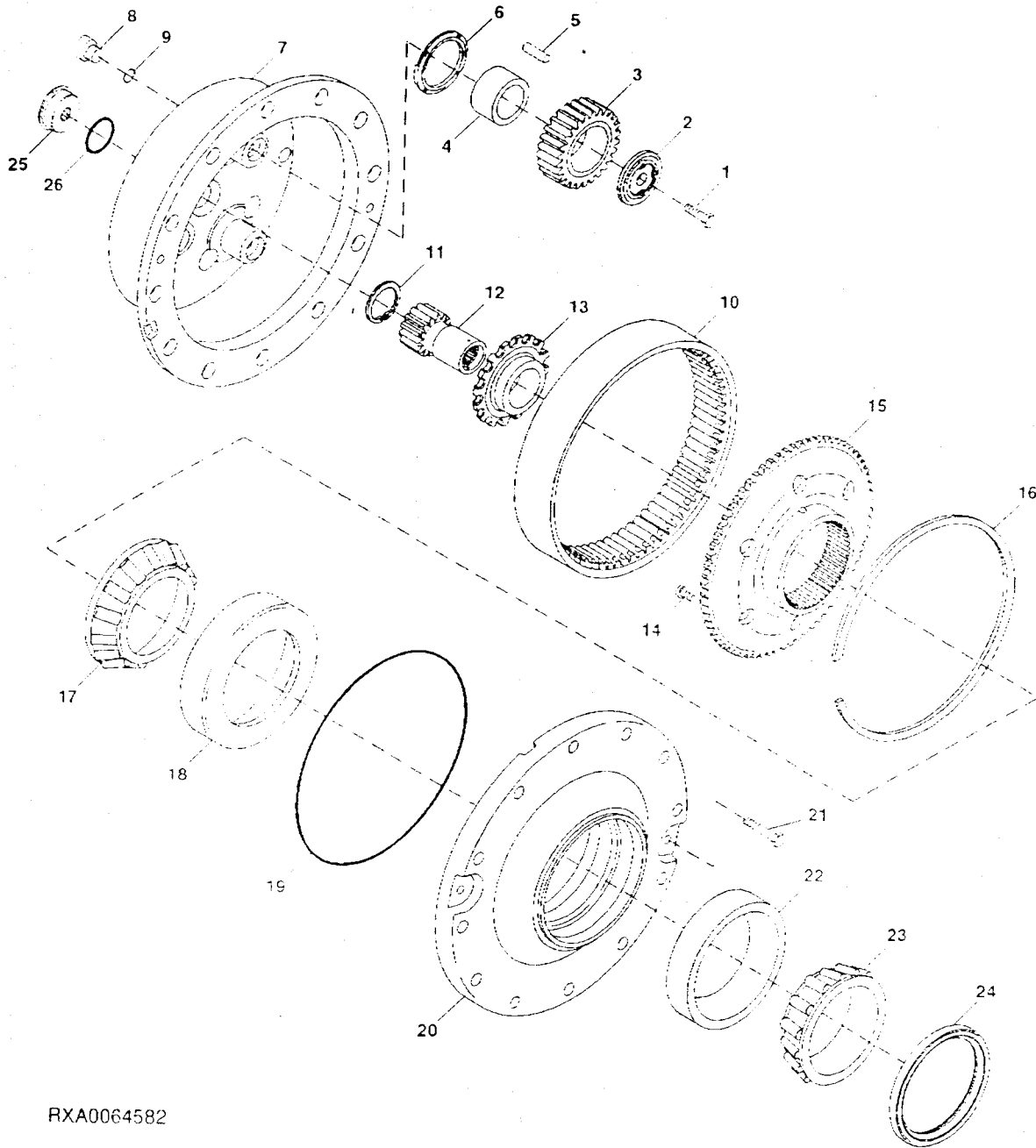
KEY	PART NO.	PART NAME	QTY.	TRACTOR SERIAL NO.			REMARKS
				8 8 8	1 2 3	3 3 3	
				0 0 0			
1	R171856	CAP SCREW	4	X	X	X	HS 12.9
2	R171855	RETAINER	4	X	X	X	
3	R228144	PLANET PINION	4	X	X	X	
4	R121362	BEARING RACE	4	X	X	X	
5	R121283	NEEDLE ROLLER	132	X	X	X	
6	R168091	THRUST WASHER	4	X	X	X	
7	RE192082	PLANET PINION CARRIER	1	X	X	X	(INCLUDES (4) R121362)
8	R98012	FITTING PLUG	1	X	X	X	
9	P47889	O-RING	1	X	X	X	
10	R237706	RING GEAR	1	X	X	X	
11	40M7013	SNAP RING	1	X	X	X	
12	R214898	PINION	1	X	X	X	
13	R171858	RETAINER	1	X	X	X	
14	R91842	SCREW	1	X	X	X	HS 12.9
15	R217064	GEAR	1	X	X	X	
16	R99673	SNAP RING	1	X	X	X	
17	JD9083	BEARING CONE	1	X	X	X	
18	JD9152	BEARING CONE	1	X	X	X	
19	R87047	RING	1	X	X	X	
20	R168089	HUB	1	X	X	X	
21	19M8011	CAP SCREW	2	X	X	X	M12 X 30, HS 10.9
22	JD9152	BEARING CONE	1	X	X	X	
23	JD9083	BEARING CONE	1	X	X	X	
24	RE168092	SEAL	1	X	X	X	
25	R175319	FITTING PLUG	1	X	X	X	
26	R43750	O-RING	1	X	X	X	

# 55-32

JOHN DEERE INDEPENDENT LINK SUSPENSION

FINAL DRIVE  
REDUCTEUR  
ENDANTRIEB  
COPPIA CONICA  
MANDO FINAL  
NSKSCRLBSRCL

RXA0064582 -UN-09JAN03



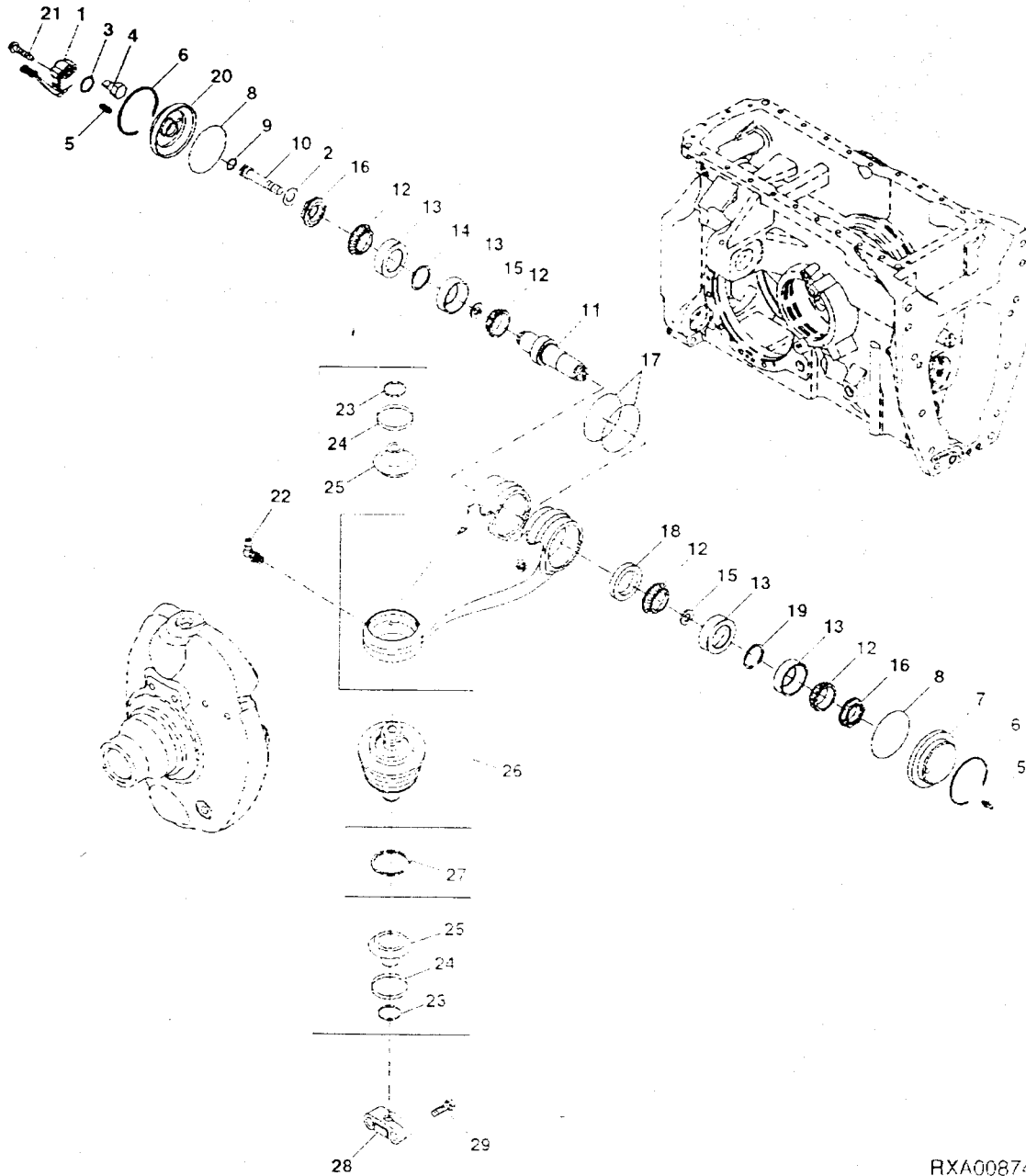
RXA0064582

KEY	PART NO.	PART NAME	QTY.	TRACTOR SERIAL NO.		REMARKS
				8 8	4 5	
1	R171856	CAP SCREW	4			HS 12.9
2	R171855	RETAINER	4			
3	R228144	PLANET PINION	4			
4	R121362	BEARING RACE	4			
5	R121283	NEEDLE ROLLER	132			
6	R168091	THRUST WASHER	4			
7	RE192082	PLANET PINION CARRIER	1			(INCLUDES (4) R121362)
8	R98012	FITTING PLUG	1			
9	P47889	O-RING	1			
10	R229687	RING GEAR	1			
11	40M7013	SNAP RING	1			
12	R214898	PINION	1			
13	R171858	RETAINER	1			HS 12.9
14	R91842	SCREW	1			
15	R217064	GEAR	1			
16	R99673	SNAP RING	1			
17	JD9083	BEARING CONE	1			
18	JD9152	BEARING CONE	1			
19	R87047	RING	1			
20	R168089	HUB	1			
21	19M8011	CAP SCREW	2			M12 X 30. HS 10.9
22	JD9152	BEARING CONE	1			
23	JD9083	BEARING CONE	1			
24	RE168092	SEAL	1			
25	R175319	FITTING PLUG	1			
26	R43750	O-RING	1			



UPPER CONTROL ARM  
BRAS DE COMMANDE SUPERIEUR  
OBERER STEUERARM  
BRACCIO DI COMMANDO SUPERIORE  
BRAZO DE CONTROL SUPERIOR  
OEVRE MANOEVERARM

RXA0087486 -UN-06MAR06



RXA0087486

## 55-35

JOHN DEERE INDEPENDENT LINK SUSPENSION

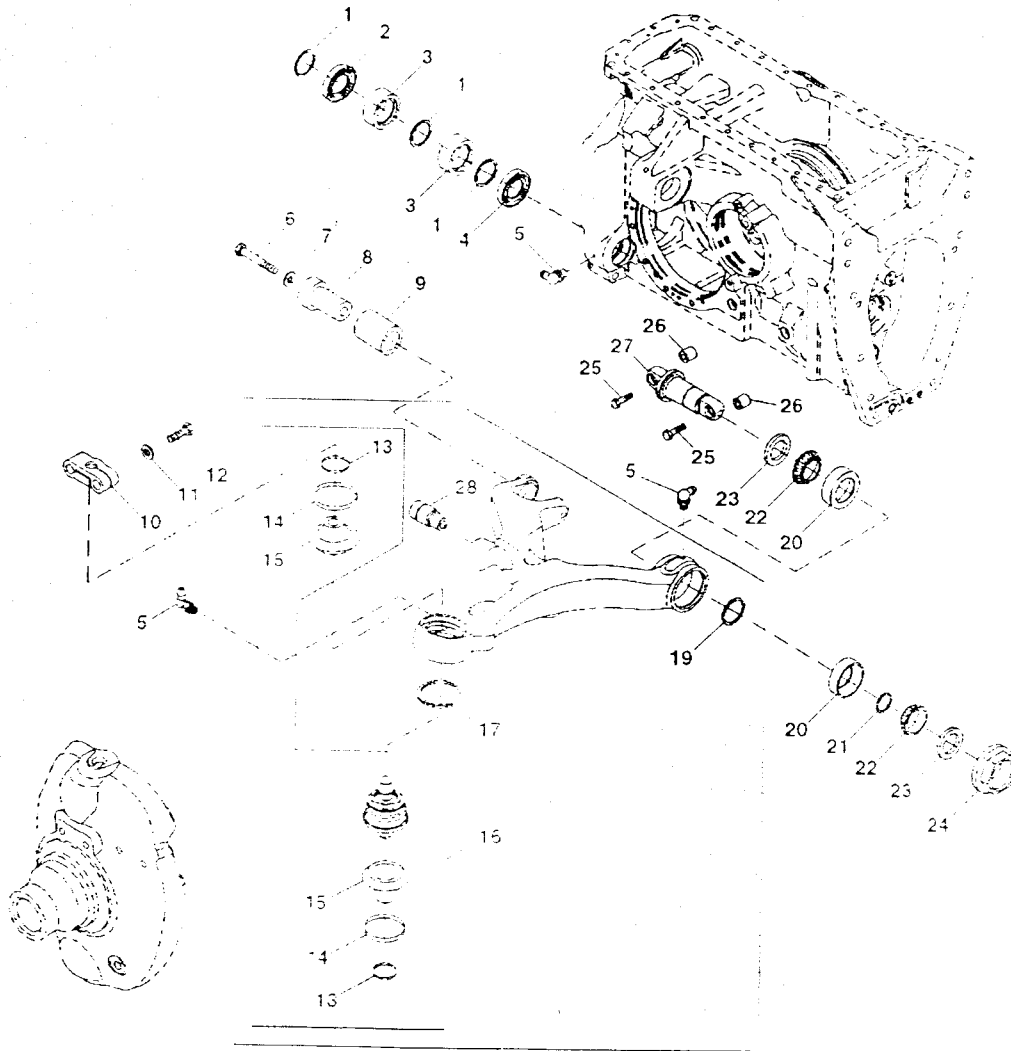
KEY	PART NO.	PART NAME	QTY.	TRACTOR SERIAL NO.	A L L	REMARKS
1	RE241785	SENSOR	1		X	
2	24M7338	WASHER	2		X	17 X 30 X 3 MM
3	P48347	O-RING	1		X	
4	R175457	SHAFT	1		X	
5	JD7799	LUBRICATION FITTING	2		X	
6	40M7045	SNAP RING	2		X	
7	R230004	CAP	2		X	
8	51M7070	O-RING	2		X	110.719 X 3.531 MM
9	T13119	O-RING	2		X	
10	R179854	CAP SCREW	2		X	
11	R229613	SHAFT	2		X	
12	RE179848	BEARING CONE	4		X	
13	R179849	BEARING CUP	4		X	
14	R179852	WASHER	1		X	
15	R179850	WASHER	2		X	
16	R229612	FLANGE NUT	4		X	
17	RE193357	SEAL	2		X	
18	R172164	SPACER	1		X	
19	R172170	SNAP RING	1		X	
20	R230003	CAP	2		X	
21	37H143	SCREW	4		X	
22	JD7781	LUBRICATION FITTING	1		X	
23	R216823	SPRING	2		X	
24	R216824	SPRING	2		X	
25	R216827	BOOT	2		X	
26	RE216794	BALL JOINT	1		X	
27	40M7233	SNAP RING	1		X	
28	R186969	CAP	1		X	
29	19M9135	CAP SCREW	2		X	M20 X 100. HS 10.9

# 55-36

JOHN DEERE INDEPENDENT LINK SUSPENSION

LOWER CONTROL ARM  
BRAS DE COMMANDE INFÉRIEUR  
UNTERER STEUERARM  
BRACCIO DI COMANDO INFERIORE  
BRAZO DE CONTROL INFERIOR  
UNDRE MANOEVERARM

RXA0059583 -UN-26FEB02



18

RXA0059583

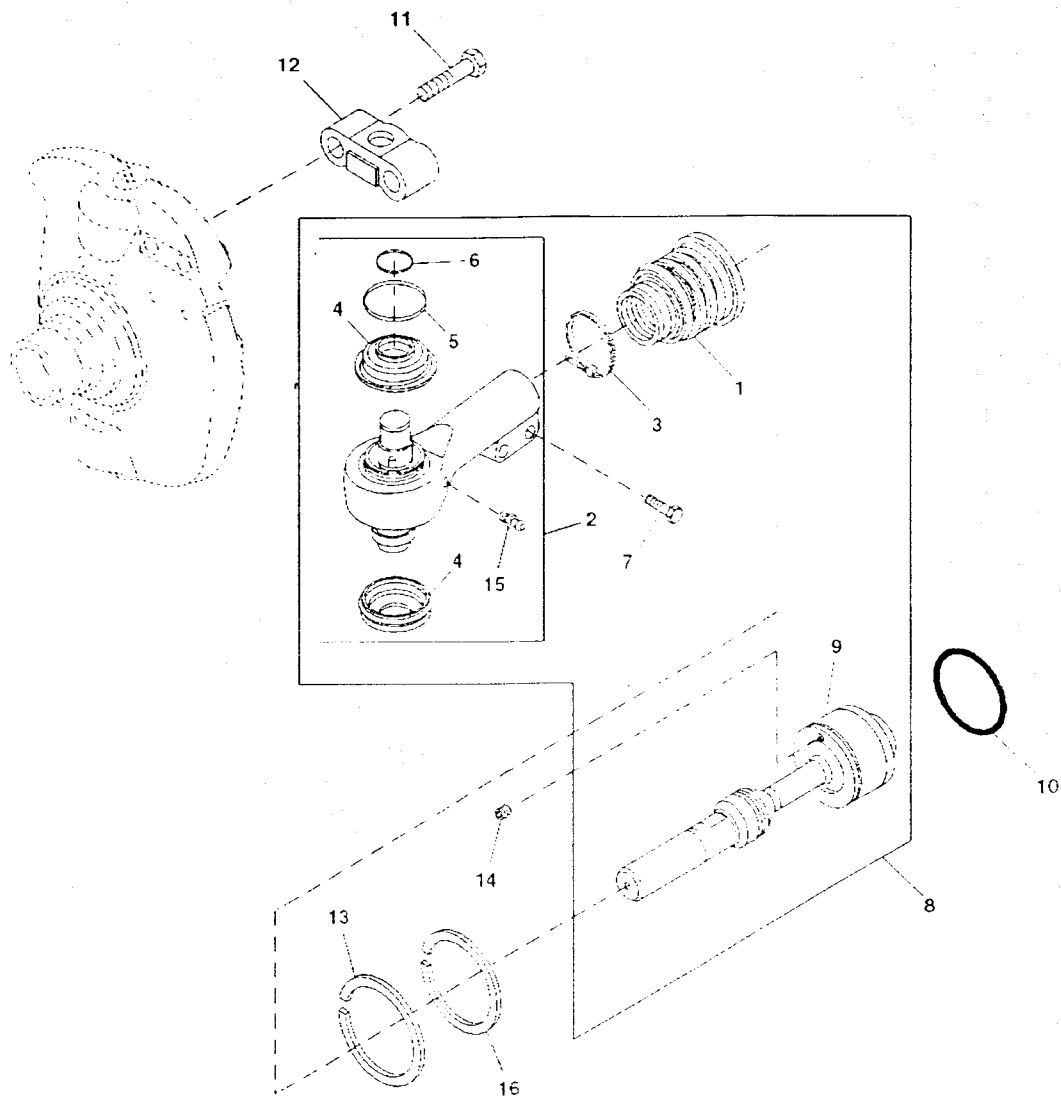
## 55-37

JOHN DEERE INDEPENDENT LINK SUSPENSION

KEY	PART NO.	PART NAME	QTY.	TRACTOR SERIAL NO.	A L L	REMARKS
1	R179858	SNAP RING	3		X	
2	RE173531	SEAL	1		X	
3	RE173530	SEAL	2		X	
4	RE179855	SEAL	1		X	
5	JD7781	LUBRICATION FITTING	3		X	
6	19M9143	CAP SCREW	1		X	M20 X 170, HS 10.9
7	24M7242	WASHER	1		X	21.400 X 42 X 5 MM
8	R172166	SHAFT	1		X	
9	R172173	BEARING RACE	1		X	
10	R186969	CAP	1		X	
11	24M7242	WASHER	2		X	21.400 X 42 X 5 MM
12	19M9135	CAP SCREW	2		X	M20 X 100, HS 10.9
13	R216823	SPRING	2		X	
14	R216824	SPRING	2		X	
15	R216827	BOOT	2		X	
16	RE216794	BALL JOINT	1		X	
17	43M7233	SNAP RING	1		X	
18	RE191362	ARM	1		X	L.H.
	RE191360	ARM	1		X	R.H.
19	R172170	SNAP RING	1		X	
20	R179849	BEARING CUP	2		X	
21	R179850	WASHER	1		X	
22	RE179848	BEARING CONE	2		X	
23	RE193357	SEAL	2		X	
24	R173528	NUT	1		X	
25	19M9135	CAP SCREW	2		X	M20 X 100, HS 10.9
26	ET14521	BUSHING	2		X	
27	R172167	SHAFT	1		X	
28	R175773	PIN FASTENER	1		X	

TIE ROD  
BARRE D'ACCOUPLMENT  
SPURSTANGE  
BARRA D'ACCOPIAMENTO  
BARRA TRANSV DE DIRECTION  
PARALLELLSTAG

RXA0080023 UN-30MAR05



RXA0080023

THIS PARTS LISTING IS CONTINUED

# 55-39

JOHN DEERE INDEPENDENT LINK SUSPENSIC

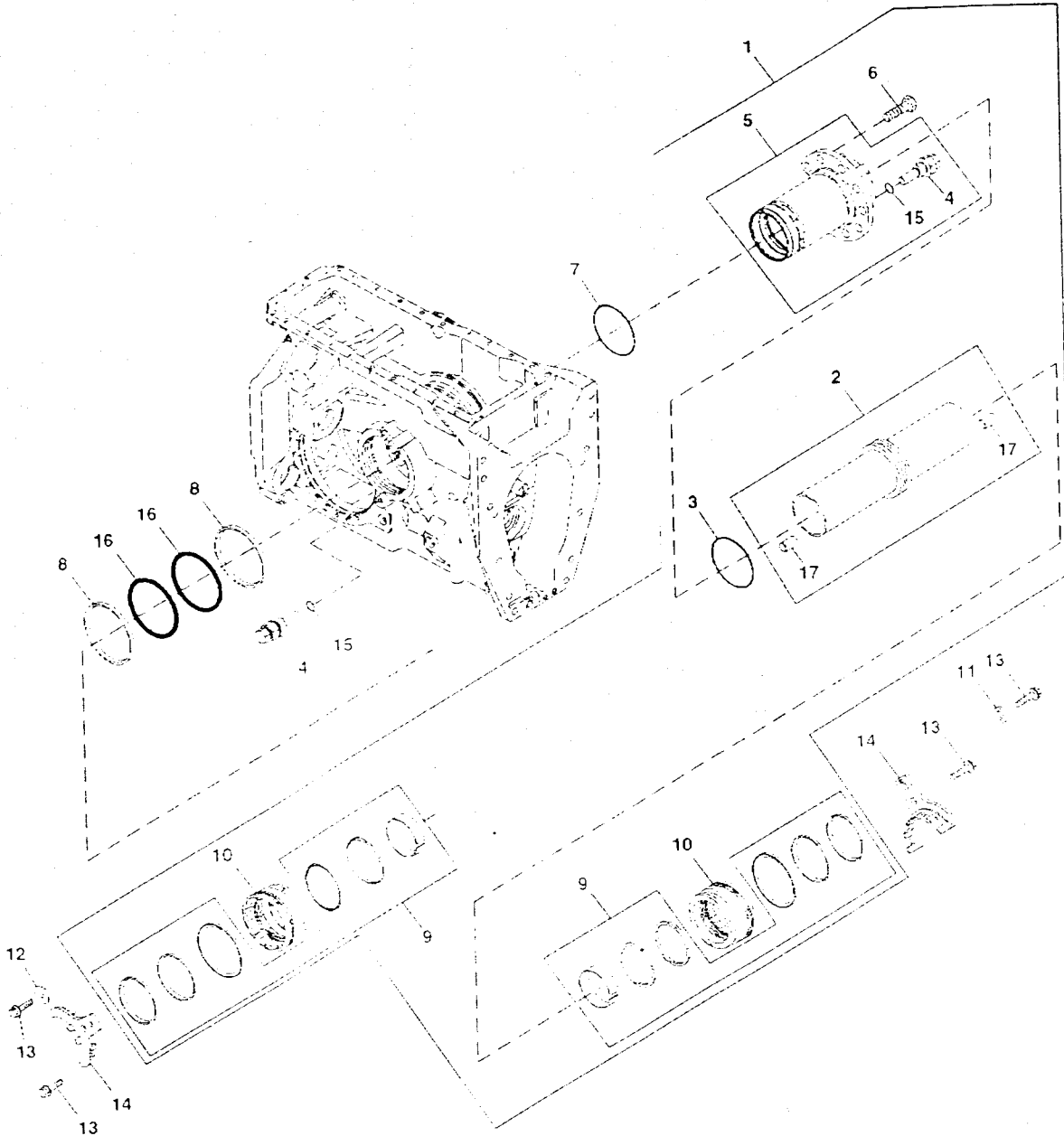
KEY	PART NO.	PART NAME	QTY.	TRACTOR SERIAL NO.	A L L	REMARKS
1	R216826	BOOT	1		X	
2	RE216822	TIE ROD END	1		X	
3	R216825	SPRING	2		X	
4	R216827	BOOT	4		X	
5	R216824	SPRING	2		X	
6	R216823	SPRING	2		X	
7	19M7361	CAP SCREW	2		X	M12 X 50, HS 10.9
8	RE216819	TIE ROD ASSEMBLY	2		X	
9	RE216821	TIE ROD END	1		X	
10	E66413	O-RING	1		X	
11	19M9135	CAP SCREW	2		X	M20 X 100. HS 10.9
12	R186969	CAP	1		X	
13	R192696	SNAP RING	2		X	
14	RE71255	PIPE PLUG	2		X	
15	JD7759	LUBRICATION FITTING	2		X	
16	R196760	SNAP RING	2		X	

# 55-40

JOHN DEERE INDEPENDENT LINK SUSPENSION

STEERING CYLINDER  
VERIN DE DIRECTION  
LENKZYLINDER  
CILINDRO DI GUIDA  
CILINDRO DE LA DIRECCION  
STYRCYLINDER

RXA0080018 UN-28MAR05



RXA0080018

THIS PARTS LISTING IS CONTINUED

8130, 8230, 8330, 8430, 8530 TRACTORS PC9451 (12-APR-06)  
PN=540

# 55-41

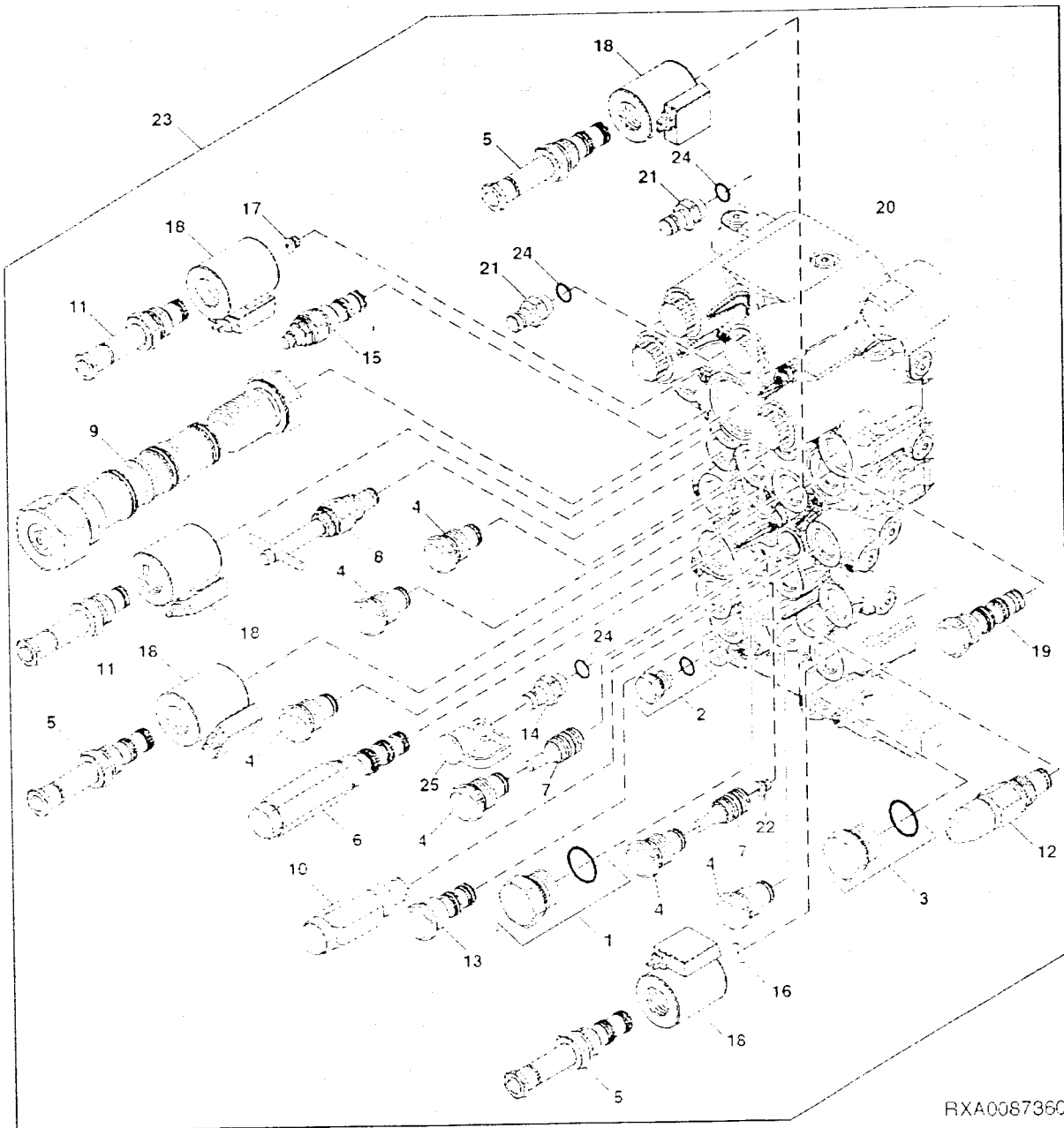
## JOHN DEERE INDEPENDENT LINK SUSPENSION

KEY	PART NO	PART NAME	QTY.	TRACTOR SERIAL NO.	A L L	REMARKS
1	RE206148	CYLINDER	1		X	
2	RE206162	ROD	1		X	
3	RE206146	SEAL	1		X	
4	RE42567	FITTING PLUG	2		X	
	R27296	NUT	2		X	
5	RE196847	SLEEVE	1		X	
6	19M7409	CAP SCREW	8		X	M16 X 50
7	R195328	O-RING	1		X	
8	R172119	BACK-UP RING	2		X	
9	RE196077	SEAL KIT	2		X	
10	R196076	GUIDE	2		X	
11	24M7102	WASHER	1		X	13 500 X 44 X 4 MM
12	24H1353	WASHER	1		X	9 16" X 2-1/4" X 0.134"
13	19M7788	SCREW	4		X	M12 X 25
14	R193545	TOOL	2		X	
15	R26286	O-RING	2		X	10.516 X 1.829 MM
16	R195327	O-RING	2		X	
17	44M7036	DOWEL PIN	2		X	



CONTROL VALVE MANIFOLD  
 TESTEUR DE PRESSION A VANNE DE COMMANDE  
 STEUERVERTIL-VERTEILERGEHAUSE  
 COLLETTORE VALVOLA DI COMANDO  
 COLECTOR DE VALVULA DE CONTROL  
 MANOEVERVENTILFOERDELARE

RXA0087360 -UN-27FEB06



RXA0087360

# 55-43

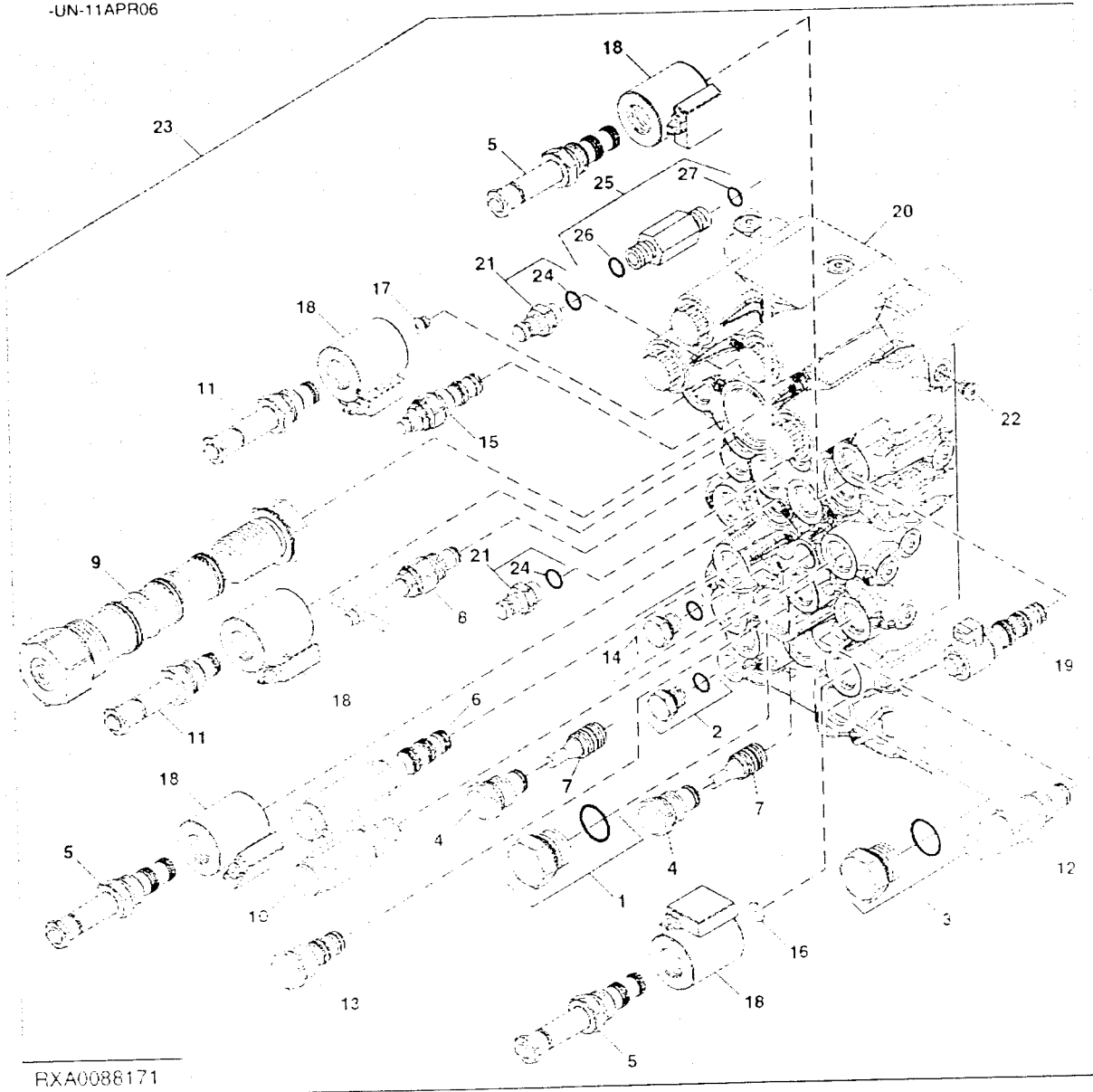
JOHN DEERE INDEPENDENT LINK SUSPENSION

KEY	PART NO.	PART NAME	QTY.	TRACTOR SERIAL NO.	A L L	REMARKS
1	RE46688	PLUG	1		X	
	51M7047	O-RING	1		X	23.600 X 2.900 MM
2	RE46684	PLUG	1		X	
	51M7041	O-RING	1		X	11.300 X 2.200 MM
3	RE46688	PLUG	1		X	
	51M7047	O-RING	1		X	23.600 X 2.900 MM
4	RE172227	CHECK VALVE	6		X	
5	RE172228	SOLENOID VALVE	3		X	
6	RE172229	CONTROL VALVE	1		X	
7	RE172230	CHECK VALVE	2		X	
8	RE172231	DRAIN VALVE	1		X	
9	RE172232	CONTROL VALVE	1		X	
10	RE172233	PRESSURE RELIEF VALVE	1		X	
11	RE172234	SOLENOID VALVE	2		X	
12	RE172235	VALVE	1		X	
13	RE172236	CHECK VALVE	1		X	
14	RE190805	DIAGNOSTIC COUPLING	1		X	
15	RE175015	VALVE	1		X	
16	R175440	ORIFICE	1		X	
17	R175441	ORIFICE	1		X	
18	RE175465	SOLENOID VALVE COIL	5		X	
19	R176135	PLUG	1		X	
20	RE176410	MANIFOLD	1		X	(SUB RE259120)
	RE176410	MANIFOLD	1		X	(A) (SUB RE259086)
	RE176410	MANIFOLD	1		X	(A) (SUB RE241165) (IVT)(50K) (ASSY)
21	RE190805	DIAGNOSTIC COUPLING	2		X	
22	RE188218	FITTING PLUG	1		X	
23	RE207032	MANIFOLD	1		X	(SUB RE259120)
24	51M7047	O-RING	3		X	11.300 X 2.200 MM
25	R77175	COVER	1		X	
	57M7265	ELEC. CONNECTOR HOUSING	1		X	
	57M7281	ELEC. CONNECTOR ACCESSORY	1		X	

(A) EUROPEAN VERSION  
 VERSION EUROPEENNE  
 EUROPÄISCHE AUSFÜHRUNG  
 VERSIONE EUROPEA  
 VERSION EUROPEA  
 EUROPEISK VERSION

CONTROL VALVE MANIFOLD (50K/IVT/EV)  
 TESTEUR DE PRESSION A VANNE DE COMMANDE (50K/IVT/EV)  
 STEUVENTIL-VERTEILERGEHAUSE (50K/IVT/EV)  
 COLLETTORE VALVOLA DI COMANDO (50K/IVT/EV)  
 COLECTOR DE VALVULA DE CONTROL (50K/IVT/EV)  
 MANOEVERVENTILFOERDELARE (50K/IVT/EV)

RXA0088171 -UN-11APR06



RXA0088171

THIS PARTS LISTING IS CONTINUED

8130, 8230, 8330, 8430, 8530 TRACTORS PC9451 (12-APR-06) PN-544

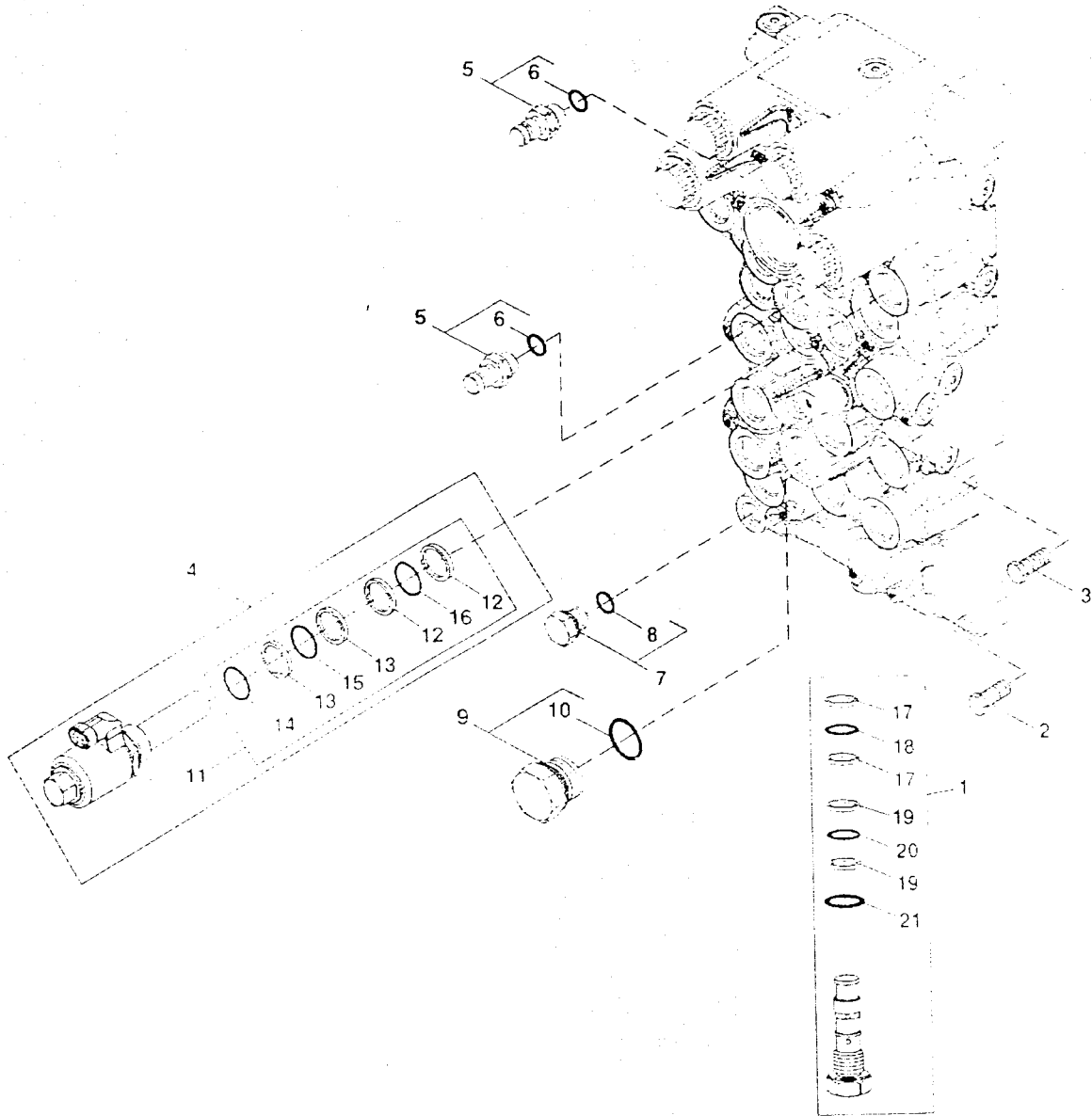
# 55-45

JOHN DEERE INDEPENDENT LINK SUSPENSION

KEY	PART NO.	PART NAME	QTY.	TRACTOR SERIAL NO.	A L L	REMARKS
1	RE46688	PLUG	1		X	
	51M7047	O-RING	1		X	23.600 X 2.900 MM
2	RE46684	PLUG	1		X	
	51M7047	O-RING	1		X	11.300 X 2.200 MM
3	RE46688	PLUG	1		X	
	51M7047	O-RING	1		X	23.600 X 2.900 MM
4	RE172227	CHECK VALVE	2		X	
5	RE172228	SOLENOID VALVE	3		X	
6	RE172229	CONTROL VALVE	1		X	
7	RE172230	CHECK VALVE	2		X	
8	RE172231	DRAIN VALVE	1		X	
9	RE172232	CONTROL VALVE	1		X	
10	RE172233	PRESSURE RELIEF VALVE	1		X	
11	RE172234	SOLENOID VALVE	2		X	
12	RE172235	VALVE	1		X	
13	RE172236	CHECK VALVE	1		X	
14	RE190815	DIAGNOSTIC COUPLING	1		X	
	51M7047	O-RING	1		X	11.300 X 2.200 MM
15	RE175115	VALVE	1		X	
16	R175441	ORIFICE	1		X	
17	R175441	ORIFICE	1		X	
18	RE175465	SOLENOID VALVE COIL	5		X	
19	RE168431	SOLENOID VALVE	1		X	
20	R242611	MANIFOLD	1		X	
21	RE190815	DIAGNOSTIC COUPLING	2		X	
22	T54904	UNION FITTING	16		X	
23	RE241165	VALVE	1		X	
24	51M7047	O-RING	1		X	11.300 X 2.200 MM
25	RE285112	ADAPTER FITTING	1		X	
26	T73513	O-RING	1		X	
27	51M7047	O-RING	1		X	11.300 X 2.200 MM

CONTROL VALVE MANIFOLD PLUGS  
 BOUCHONS DE TESTEUR DE PRESSION A VANNE DE COMMANDE  
 VERSCHLUESSE DES STEUVENTIL-VERTEILERGEHAEUSES  
 TAPPI COLLETTORE VALVOLA DI COMANDO  
 TAPONES DE COLECTOR DE VALVULA DE CONTROL  
 PLUGGAR FOER MANOEVERTENTILFOERDELARE

RXA0080837 UN-17MAY05



RXA0080837

THIS PARTS LISTING IS CONTINUED

8130, 8230, 8330, 8430, 8530 TRACTORS PC9451 (12-APR-05)  
 PN=546

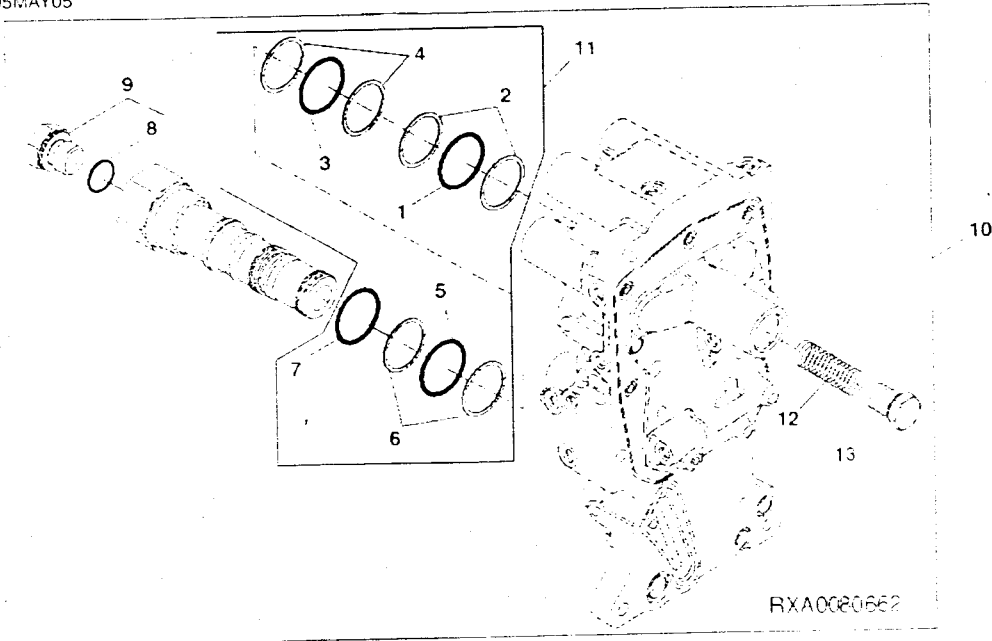
KEY	PART NO.	PART NAME	QTY.	TRACTOR SERIAL NO.	A L L	REMARKS
1	RE175016	CHECK VALVE	1		X (A)	
2	19M8637	CAP SCREW	5		X	M10 X 40. HS 10.9
3	19M8081	CAP SCREW	1		X	M10 X 80. HS 10.9
4	RE163491	SOLENOID VALVE	1		X	
5	RE190805	DIAGNOSTIC COUPLING	2		X	
6	51M7041	O-RING	2		X	11.300 X 2.200 MM
7	RE46684	PLUG	2		X	
8	51M7041	O-RING	2		X	11.300 X 2.200 MM
9	RE46688	PLUG	2		X	
10	51M7047	O-RING	2		X	23.600 X 2.900 MM
11	RE186848	SEAL KIT	1		X	
12	R186865	BACK-UP RING	2		X	
13	R186866	BACK-UP RING	2		X	
14	R26906	O-RING	1		X	19.177 X 2.464 MM
15	R27166	O-RING	1		X	15.595 X 1.778 MM
16	R33259	O-RING	1		X	13.995 X 1.778 MM
17	R186860	BACK-UP RING	2		X	
18	T17951	O-RING	1		X	
19	R186861	BACK-UP RING	2		X	
20	R34802	O-RING	1		X	
21	R28782	O-RING	1		X	

(A) FRONT HITCH  
 ATTELAGE AVANT  
 FRONTANHAENGEVORRICHTUNG  
 GANCIO ANTERIORE  
 ENGANCHE DELANTERO  
 FRAEMRE DRAG

SUSPENSION DAMPING CONTROL VALVE  
 CLAPET DE COMMANDE D'AMORTISSEMENT DE SUSPENSION  
 FEDERUNGSDAEMPFUNGS-STEUERVENTIL  
 VALVOLA ANTIVIBRATORE SOSPENSIONE  
 VALVULA DE CONTROL DE AMORTIGUACION DE SUSPENSION  
 MANOEVERTENTIL FOER FJAEDRINGSDAEMPNING

RXA0080662

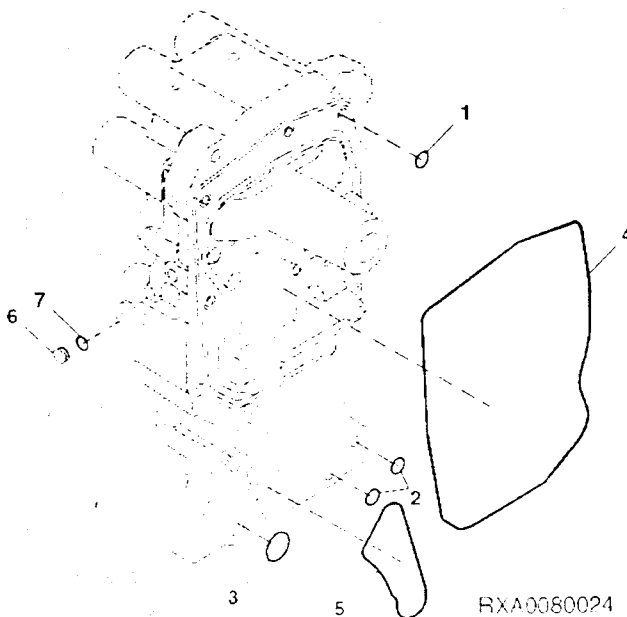
-UN-05MAY05



KEY	PART NO.	PART NAME	QTY	TRACTOR SERIAL NO	A L L	REMARKS
1	P51079	O-RING	1		X	
2	R186867	BACK-UP RING	2		X	
3	R104728	O-RING	1		X	
4	R186868	BACK-UP RING	2		X	
5	R111527	O-RING	1		X	
6	R186869	BACK-UP RING	2		X	
7	U13639	O-RING	1		X	
8	51M7041	O-RING	1		X	11.300 x 2.200 MM
9	RE46684	PLUG	1		X	
10	RE172232	CONTROL VALVE	1		X	
11	RE186849	SEAL KIT	1		X	(ORDER RE172232)
12		SPRING	1		X	(ORDER RE172232)
13		PLUG	1			

MANIFOLD REAR O-RINGS  
 JOINTS TORIQUES ARRIERE DE REPARTITEUR  
 HINTERE O-RINGE FUER VERTEILER  
 O-RING POSTERIORI COLLETORE  
 ANILLOS "O" TRASEROS DE COLECTOR  
 BAKRE O-RINGAR FOER FOERDELARE

RXA0080024 -UN-04MAY05

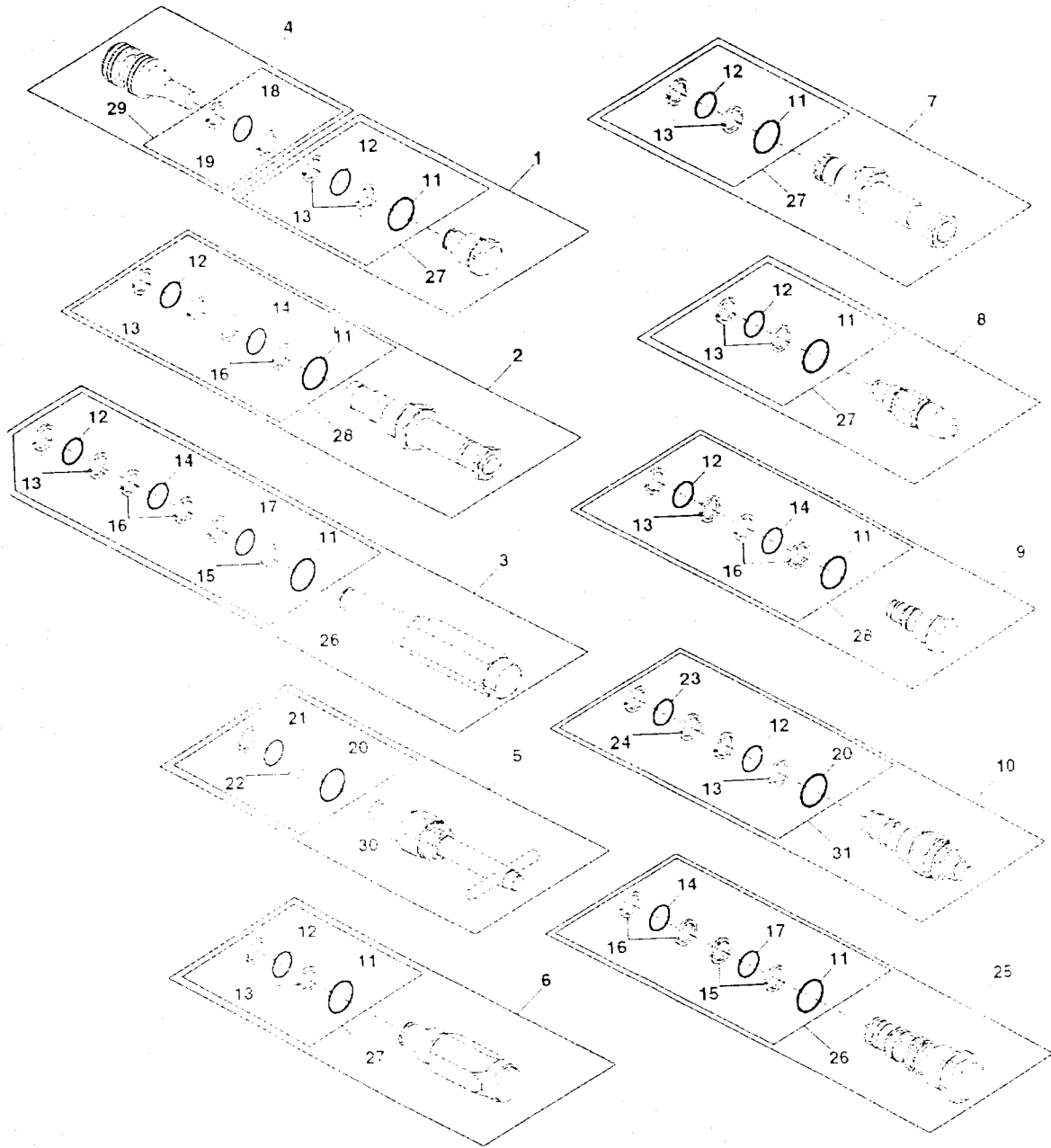


KEY	PART NO.	PART NAME	QTY	TRACTOR SERIAL NO	A L L	REMARKS
1	R394R	O-RING	1		X	
2	R375R	O-RING	1		X	
3	F3171R	O-RING	1		X	
4	R394R	O-RING	1		X	
5	J4336L	O-RING	1		X	
6	T54904	UNION FITTING	1		X	
7	R28782	O-RING	1		X	



CONTROL VALVE MANIFOLD CARTRIDGES  
CARTOUCHES MULTIPLES POUR DISTRIBUTEUR  
EINBAUVENTILE DES STEUVENTIL-VERTEILERGEHAEUSES  
INVOLUCRI COLLETTORE VALVOLA DI COMANDO  
CARTUCHOS DE COLECTOR DE VALVULA DE CONTROL  
PATRONER FOER MANOEVERTILFOERDELARE

RXA0053017 -UN-31MAY01



RXA0053017

THIS PARTS LISTING IS CONTINUED

8130, 8230, 8330, 8430, 8530 TRACTORS PC9451 (12-APR-06)  
PA=550

# 55-51

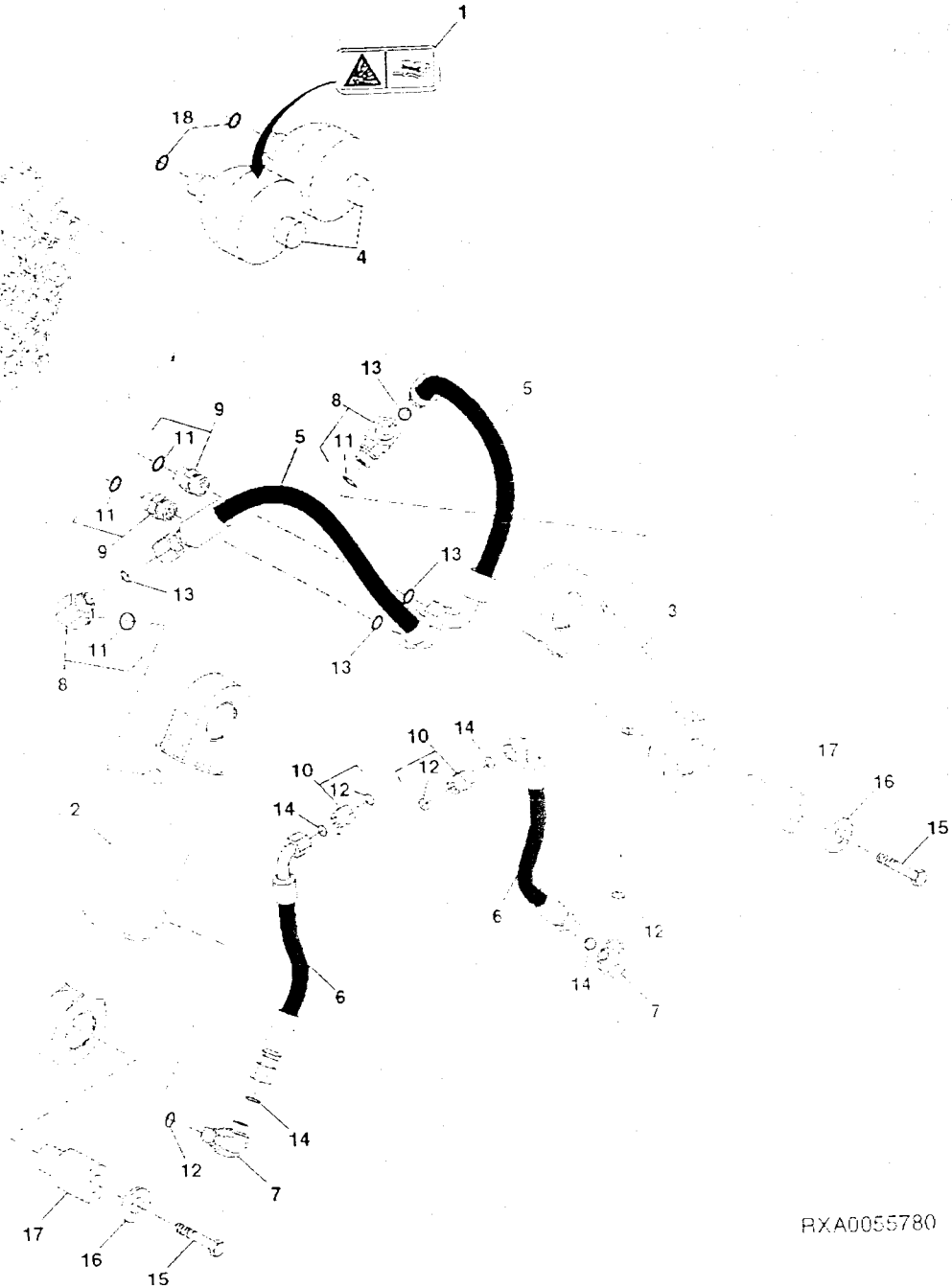
JOHN DEERE INDEPENDENT LINK SUSPENSION

KEY	PART NO.	PART NAME	QTY	TRACTOR SERIAL NO.	A L L	REMARKS
1	RE172227	CHECK VALVE	1		X	
2	RE172228	SOLENOID VALVE	1		X	
3	RE172229	CONTROL VALVE	1		X	
4	RE172230	CHECK VALVE	1		X	
5	RE172231	DRAIN VALVE	1		X	
6	RE172233	PRESSURE RELIEF VALVE	1		X	
7	RE172234	SOLENOID VALVE	1		X	
8	RE172235	VALVE	1		X	
9	RE172236	CHECK VALVE	1		X	
10	RE175015	VALVE	1		X	
11	R26906	O-RING	AP		X	19.177 X 2.461 MM
12	R28776	O-RING	AP		X	12.421 X 1.778 MM
13	R186864	BACK-UP RING	AP		X	
14	R33259	O-RING	AP		X	13.995 X 1.778 MM
15	R186866	BACK-UP RING	AP		X	
16	R186865	BACK-UP RING	AP		X	
17	R27166	O-RING	AP		X	15.596 X 1.778 MM
18	P46051	O-RING	AP		X	10.770 X 2.616 MM
19	R186870	BACK-UP RING	AP		X	
20	R26375	O-RING	AP		X	16.358 X 2.210 MM
21	A3917R	O-RING	AP		X	9.246 X 1.778 MM
22	R186862	BACK-UP RING	AP		X	
23	R113050	O-RING	AP		X	10.820 X 1.778 MM
24	R186863	BACK-UP RING	AP		X	
25	R176135	PLUG	1		X	
26	RE186848	SEAL KIT	AP		X	
27	RE186846	SEAL KIT	AP		X	
28	RE186847	SEAL KIT	AP		X	
29	RE186850	SEAL KIT	AP		X	
30	RE186844	SEAL KIT	AP		X	
31	RE186845	SEAL KIT	AP		X	

INDEPENDENT LINK SUSPENSION CYLINDER/ACCUMULATOR  
VERIN DE SUSPENSION A BRAS INDEPENDANT/ACCUMULATEUR  
EINZELRADAUFHAENGUNGS-ZYLINDER/DRUCKSPEICHER  
CILINDRO SOSPENSIONE AD ARTICOLAZIONE INDEPENDENTE/ACCUMULATORE  
CILINDRO DE SUSPENSION DE BRAZO INDEPENDIENTE/ACUMULADOR  
FJAEDRINGSCYLINDER MED OBEROENDE LAENKSYSTEM/ACKUMUKATOR

RXA0055780

-UN-31AUG01



RXA0055780

THIS PARTS LISTING IS CONTINUED

8130, 8230, 8330, 8430, 8530 TRACTORS PC9451 (12-APR-06)  
P4=552

# 55-53

JOHN DEERE INDEPENDENT LINK SUSPENSION

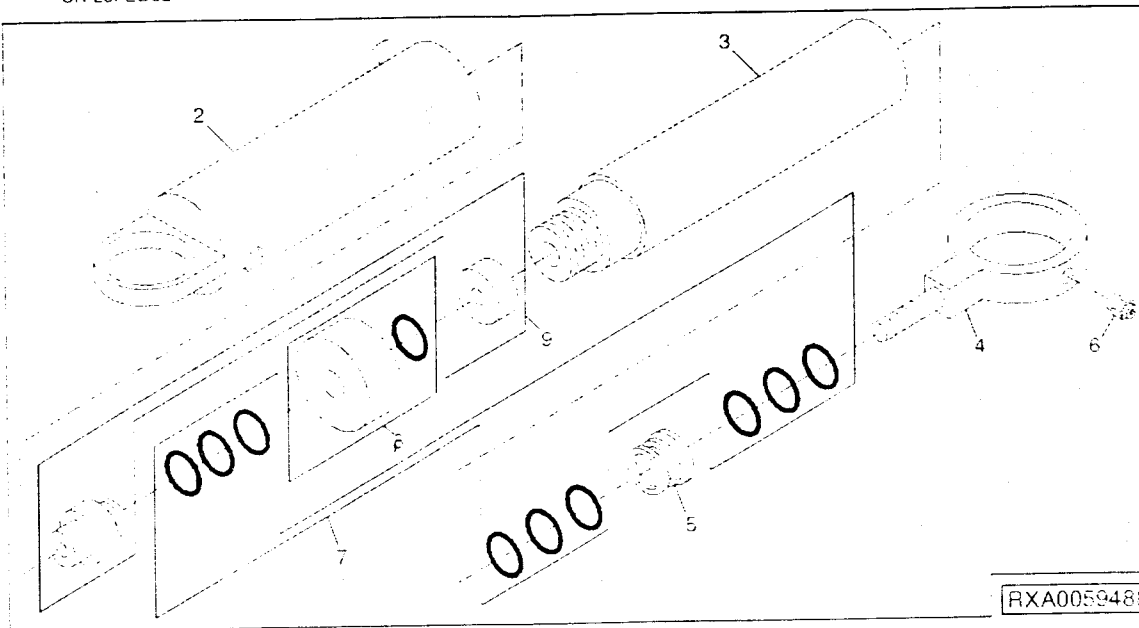
KEY	PART NO.	PART NAME	QTY.	TRACTOR SERIAL NO.	A L L	REMARKS
1	L113583	LABEL	2		X	
2	RE186112	HYDRAULIC CYLINDER	1		X	R.H.
3	RE186113	HYDRAULIC CYLINDER	1		X	L.H.
4	RE193370	ACCUMULATOR	2		X	
5	RE162865	HYDRAULIC HOSE	2		X	
6	RE162863	HYDRAULIC HOSE	2		X	
7	38H5018	ELBOW FITTING	2		X	
8	38H5019	ELBOW FITTING	2		X	
9	38H5005	ADAPTER FITTING	2		X	
10	38H5004	ADAPTER FITTING	2		X	
11	51M7047	O-RING	4		X	23.600 X 2.900 MM
12	51M7045	O-RING	2		X	19.300 X 2.200 MM
13	T77858	O-RING	2		X	
14	T77932	O-RING	1		X	
15	19M9141	CAP. SCREW	4		X	M20 X .150, HS 10.9
16	R198652	WASHER	4		X	
17	R175773	PIN FASTENER	4		X	
18	51M7048	O-RING	2		X	29.600 X 2.900 MM

# 55-54

JOHN DEERE INDEPENDENT LINK SUSPENSION

SUSPENSION CYLINDER  
 VERIN DE SUSPENSION  
 FEDERUNGZYLINDER  
 CILINDRO SOSPENSIONE  
 CILINDRO DE SUSPENSION  
 FJAEDRINGSCYLINDER

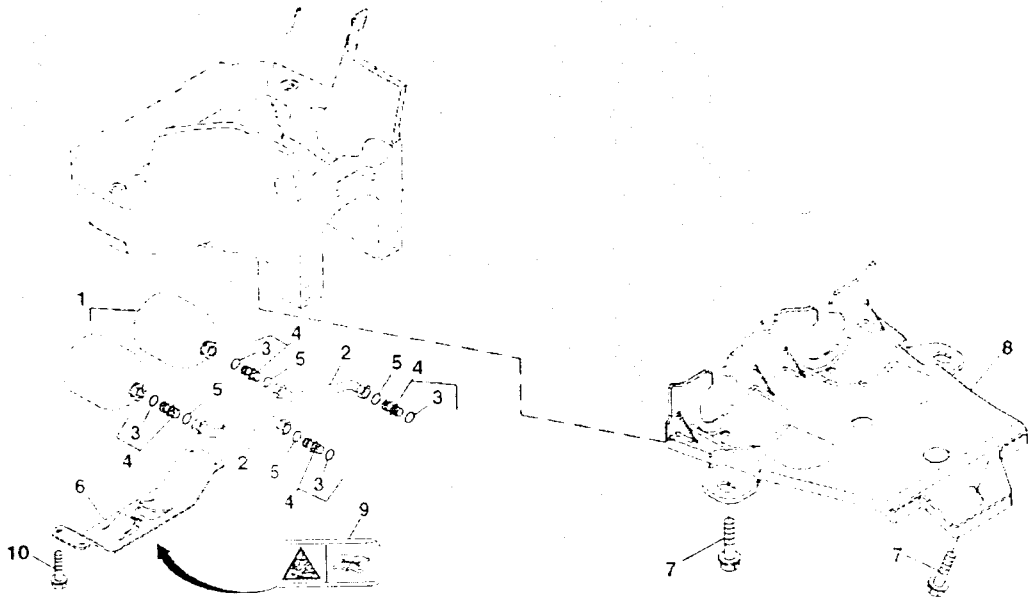
RXA0059488 -UN-25FEB02



KEY	PART NO.	PART NAME	QTY	TRACTOR SERIAL NO.	A L L	REMARKS
1	RE186112	HYDRAULIC CYLINDER	1		X	R.H.
	RE186113	HYDRAULIC CYLINDER	1		X	L.H.
2	RE184007	HYDRAULIC CYLINDER BARREL	1		X	R.H.
	RE184008	HYDRAULIC CYLINDER BARREL	1		X	L.H.
3	RE184015	HYDRAULIC CYLINDER	1		X	
4	RE184010	END	1		X	
	RE184012	HYDRAULIC CYLINDER ROD GUIDE	1		X	
5	AL115368	LUBRICATION FITTING	2		X	
6	RE184018	HYDRAULIC CYLINDER KIT	1		X	
7	RE184009	PISTON	1		X	
8	RE184016	HYDRAULIC CYLINDER	1		X	

ACCUMULATOR  
 ACCUMULATEUR  
 DRUCKSPEICHER  
 ACCUMULATORE  
 ACUMULADOR  
 ACKUMUKATOR

RXA0081572 -UN-16JUN05



RXA0081572

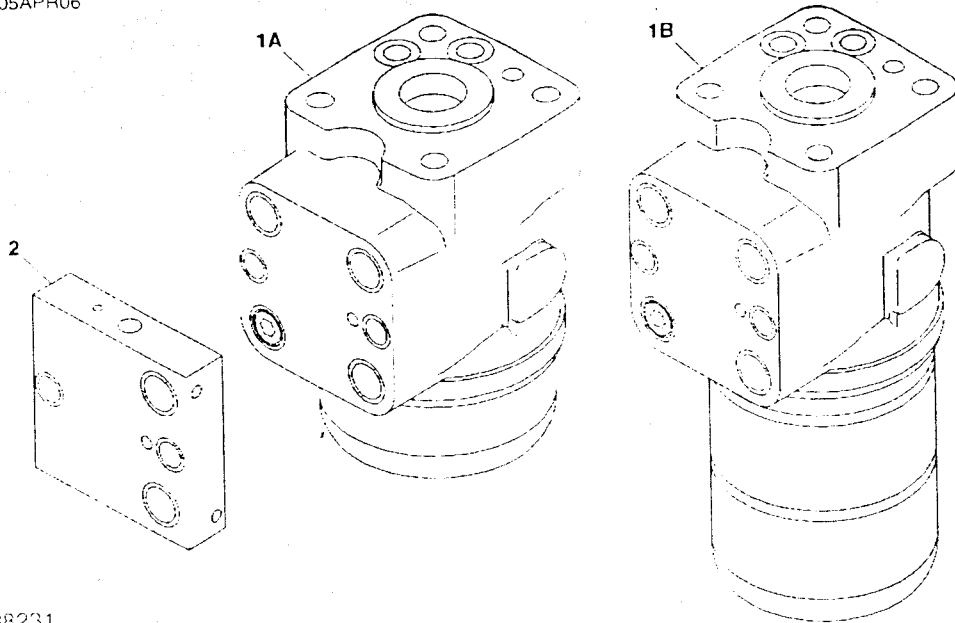
KEY	PART NO.	PART NAME	QTY.	TRACTOR SERIAL NO.	A L L	REMARKS
1	RE193375	HYDRAULIC ACCUMULATOR	2		X	
2	RE243534	OIL LINE	2		X	
3	5117047	O-RING	4		X	23.600 X 2.900 MM
4	38H5005	ADAPTER FITTING	4		X	
5	T77858	O-RING	4		X	
6	R193190	STRAP	1		X	
7	N279639	CAP SCREW	4		X	
8	R243119	DEFLECTOR	1		X	(ILS)
	R239074	DEFLECTOR	1		X	(MFWD)
9	L113583	LABEL	1		X	
10	19L17785	SCREW	4		X	M10 X 25

# 55-56

JOHN DEERE INDEPENDENT LINK SUSPENSION

STEERING VALVE  
 SOUPAPE DE DIRECTION  
 LENKVENTIL  
 VALVOLA DELLO STERZO  
 VALVULA DE LA DIRECCION  
 STYRVENTIL

RXA0088231 -UN-05APR06



RXA0088231

KEY	PART NO.	PART NAME	QTY.	TRACTOR SERIAL NO.	REMARKS
1A	RE210841	VALVE	1	XXXXXX	X
1B	RE242591	VALVE	1	XXXXXX	X
	RE257890	FLOW CONTROL HYD. VALVE	1		X (A. 1. T. 150K)
2	RE221809	VALVE	1		X

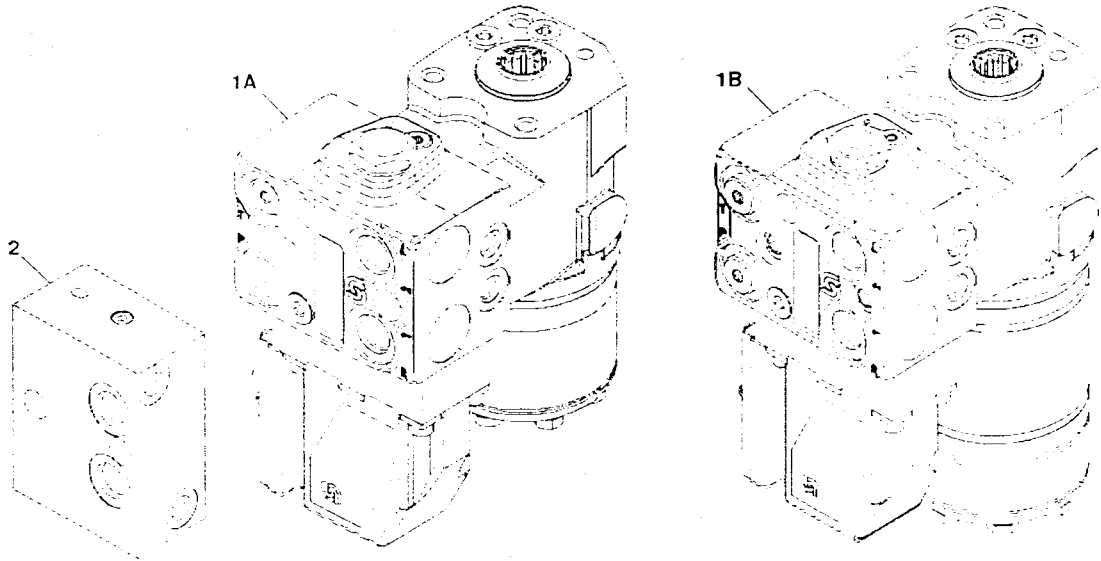
EUROPEAN VERSION  
 VERSION EUROPEENNE  
 EUROPÄISCHE AUSFÜHRUNG  
 VERSIONE EUROPEA  
 VERSION EUROPEA  
 EUROPEISK VERSION

# 55-57

JOHN DEERE INDEPENDENT LINK SUSPENSION

STEERING VALVE (W/ AUTOTRAC)  
 SOUPAPE DE DIRECTION (W/ AUTOTRAC)  
 LENKVENTIL (W/ AUTOTRAC)  
 VALVOLA DELLO STERZO (W/ AUTOTRAC)  
 VALVULA DE LA DIRECCION (W/ AUTOTRAC)  
 STYRVENTIL (W/ AUTOTRAC)

RXA0088233 -UN-11APR06



RXA0088233

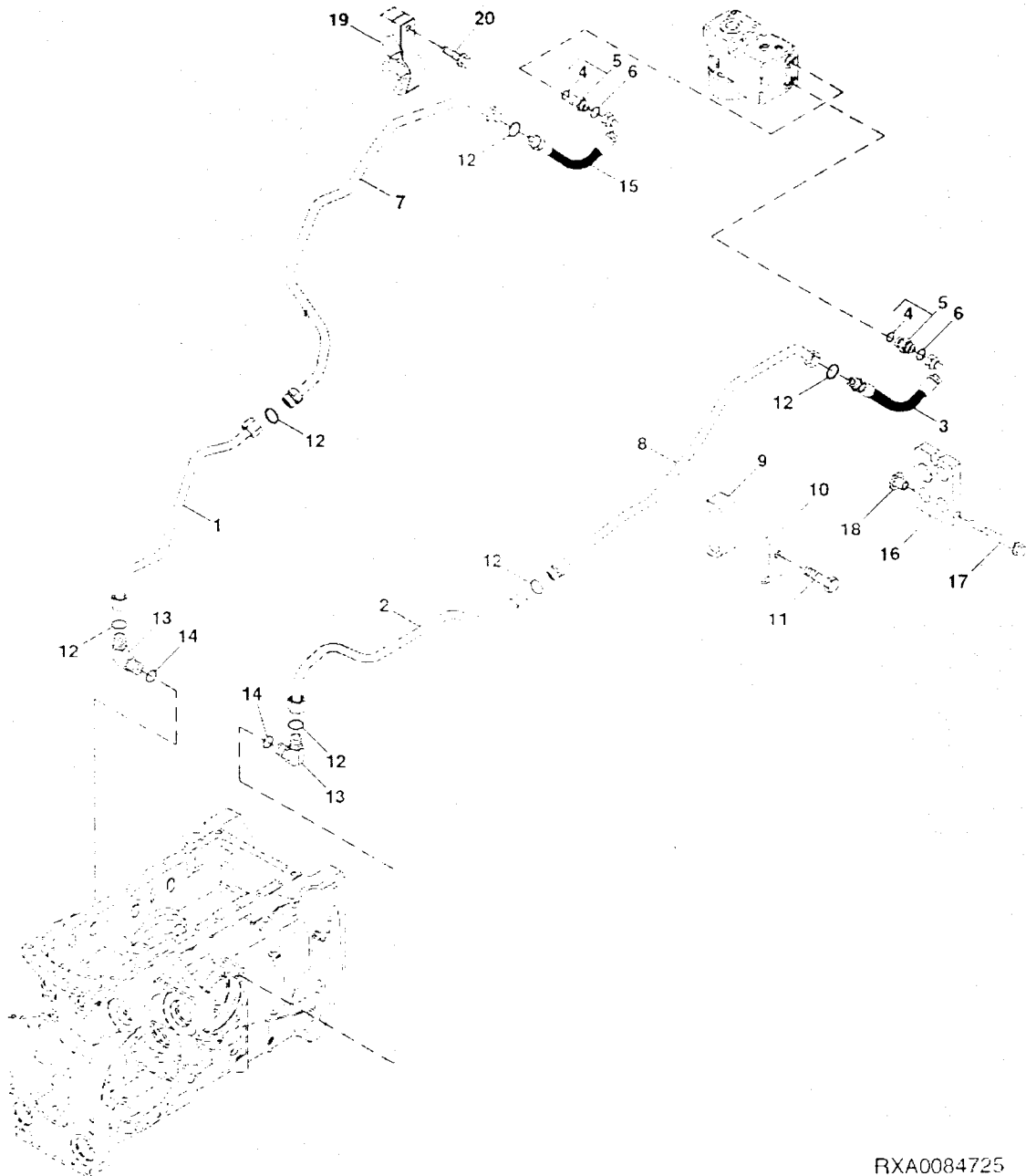
KEY	PART NO.	PART NAME	QTY.	TRACTOR SERIAL NO.	A	REMARKS
					L	
1A	RE220579	ELEC-HYD PROPORTIONAL VALVE	1	-XXXXXX	X	
1B	RE242592	VALVE	1	XXXXXX-	X	
	RE257891	FLOW CONTROL HYD. VALVE	1		X	(A) (IVT)(50K)
2	RE221809	VALVE	1		X	

(A) EUROPEAN VERSION  
 VERSION EUROPEENNE  
 EUROPÄISCHE AUSFÜHRUNG  
 VERSIONE EUROPEA  
 VERSION EUROPEA  
 EUROPEISK VERSION



STEERING CYLINDER LINES  
CONDUITES DES VERINS DE DIRECTION  
LENKZYLINDERLEITUNGEN  
LINEE DEL CILINDRO DELLO STERZO  
LINEAS DE LOS CILINDROS DE LA DIRECCION  
STYRCYLINDERLEDNINGAR

RXA0084725 -UN-21OCT05



RXA0084725

THIS PARTS LISTING IS CONTINUED

# 55-59

JOHN DEERE INDEPENDENT LINK SUSPENSION

KEY	PART NO.	PART NAME	QTY.	TRACTOR SERIAL NO.	A L L	REMARKS
1	RE226674	OIL LINE	1		X	
2	RE226678	OIL LINE	1		X	
3	RE243516	HYDRAULIC HOSE	1		X	
4	51M7043	O-RING	2		X	15.300 X 2.200 MM
5	38H5003	ADAPTER FITTING	2		X	
6	T77857	O-RING	2		X	
7	RE226673	OIL LINE	1		X	
8	RE226675	OIL LINE	1		X	
9	R184067	CLAMP	2		X	
10	R184062	CLAMP	2		X	
11	R184640	SCREW	2		X	M8 X 35, HS 10.9
12	T77932	O-RING	6		X	
13	38H5024	ELBOW FITTING	2		X	
14	51M7043	O-RING	2		X	15.300 X 2.200 MM
15	RE243516	HYDRAULIC HOSE	1		X	
16	RE243519	HYDRAULIC HOSE	1		X	1A
17	R243544	CLAMP	1		X	
18	19M8874	SCREW	1		X	M8 X 75
19	R187365	NUT	1		X	
20	RE238990	CLAMP	1		X	
21	19M7979	SCREW	1		X	M8 X 55, HS 10.9

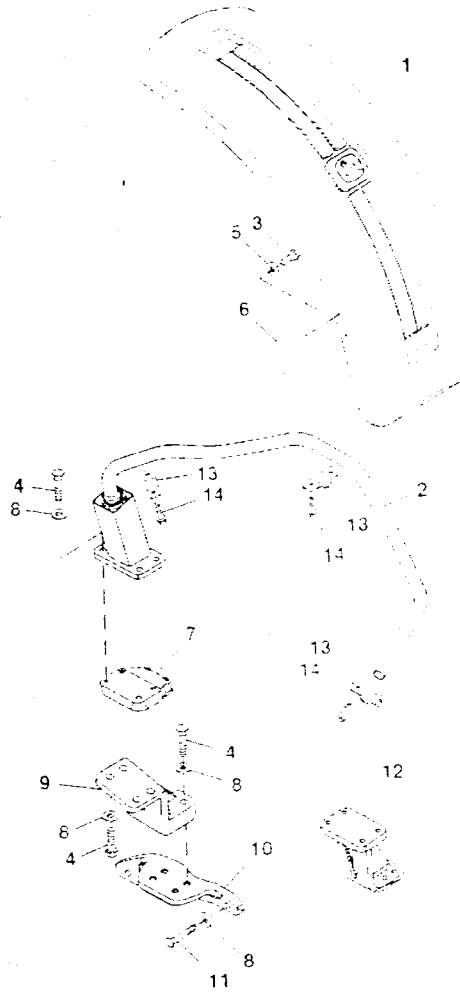
1A W AUTOTRAC  
 W AUTOTRAC  
 W AUTOTRAC  
 W AUTOTRAC  
 W AUTOTRAC  
 W AUTOTRAC

# 55-60

JOHN DEERE INDEPENDENT LINK SUSPENSION

FRONT FENDER ASSEMBLY  
DE PIÈCES DE GARDE-BOUE AVANT  
FRONT-KOTSHUETZERSATZ  
E PEZZI PER GUARDIA PARAFANGO ANTERIORE  
BO DE FALDON DE GUARDABARRO DELANTERO  
BLAENGARE TILL FRAEMRE STAENKSKAERM. SATS

77967 -UN-30MAR05



RXA0077967

THIS PARTS LISTING IS CONTINUED

8130, 8230, 8330, 8430, 8530 TRACTORS PC9451 (12-APR-06)  
PN=560

# 55-61

JOHN DEERE INDEPENDENT LINK SUSPENSION

KEY	PART NO.	PART NAME	QTY.	TRACTOR SERIAL NO	A L L	REMARKS
1	RE223407	FENDER	1		X	(A) (D) R.H.
	RE223406	FENDER	1		X	(A) (D) L.H.
	RE223409	FENDER	1		X	(B) (C) R.H.
	RE223408	FENDER	1		X	(B) (C) L.H.
2	RE245422	BRACKET	1		X	R.H.
	RE245423	BRACKET	1		X	L.H.
3	19M7881	SCREW	4		X	M8 X 20. HS 10.9
4	19M7403	CAP SCREW	AR		X	M12 X 35. HS 10.9
5	24M7336	WASHER	4		X	9 X 16 X 1.600 MM
6	RE213549	BUMPER	2		X	
7	R213134	BRACKET	2		X	
8	24M7345	WASHER	AR		X	13.500 X 24 X 2.500 MM
9	R186578	BRACKET	2		X	
10	R186553	BRACKET	1		X	R.H.
	R186554	BRACKET	1		X	L.H.
11	19M7361	CAP SCREW	6		X	M12 X 50. HS 10.9
12	R187468	BRACKET	2		X	(B) (C)
13	R214344	CLAMP	6		X	
14	19M7866	SCREW	12		X	M8 X 20. HS 10.9
..	RE236667	FIELD INSTALLATION KIT	1		X	(A) (D)
..	RE236670	FIELD INSTALLATION KIT	1		X	(B) (C)

(A) FOR TIRE SIZE 480/70 AND WIDER  
 POUR PNEUMATIQUES 480/70 ET PLUS LARGES  
 FUER BEREIFUNG 480/70 UND BREITER  
 PER PNEUMATICI 480/70 E SUPERIORE  
 PARA NEUMATICOS 480/70 Y MAS ANCHOS  
 FOER DACKSDIMENSION 480/70 OCH BREDARE

(B) FOR TIRE SIZE 620/65R30  
 POUR PNEUMATIQUES 620/65R30  
 FUER BEREIFUNG 620/65R30  
 PER PNEUMATICI 620/65R30  
 PARA NEUMATICOS 620/65R30  
 FOR DACKSDIMENSION 620/65R30

(C) WIDE  
 LARGE  
 BREIT  
 LARGO  
 ANCHO  
 BRED

(D) NARROW  
 ETROIT  
 SCHMAL  
 STRETTO  
 ANGSTO  
 SMAL

MEMORANDA  
MEMORANDA  
MEMORANDA  
MEMORANDA  
MEMORANDA

**8130, 8230, 8330, 8430  
and 8530 Tractors**



**JOHN DEERE**

**PARTS CATALOG**

**8130, 8230, 8330, 8430  
and 8530 Tractors**

**PC9451 (APR-06) English**

**ЧАСТЬ 2**

**John Deere Waterloo Works**

North American Edition

Litho in U.S.A (Revised)

COPYRIGHT © 2006

DEERE & COMPANY

Moline, Illinois

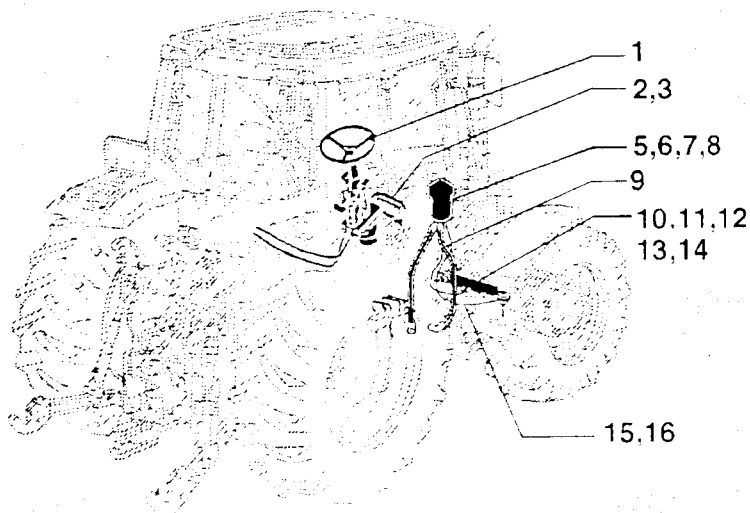
All rights reserved

# 60-A01

SECTIONAL INDEX  
INDEX DE SECTION  
GRUPPENINDEX  
INDICE DELLA SEZIONE  
INDICE DE SECCION  
GRUPPSFORTECKNING

RXA0084086 -UN-

1-	1
1-	2
2-	4
3-	6
5-	9
6-	10
7-	11
8-	13
9-	14
10-	16
11-	17
12-	18
13-	19
12-	20
13-	21
14-	23
15-	24
16-	26



RXA0084086

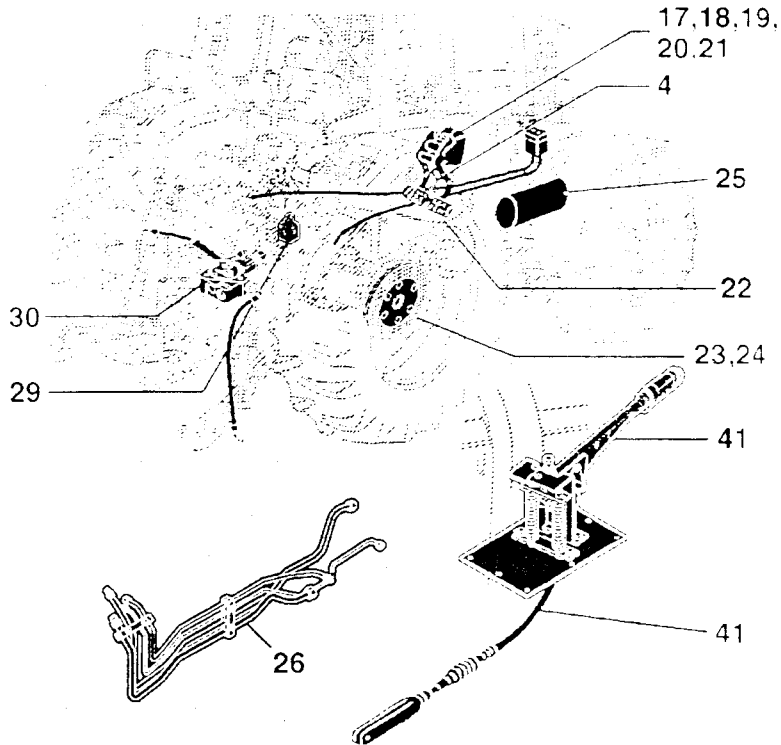
# 60-A02

## STEERING AND BRAKES

SECTIONAL INDEX  
 INDEX DE SECTION  
 GRUPPENINDEX  
 INDICE DELLA SEZIONE  
 INDICE DE SECCION  
 GRUPPSFORTECKNING

RXA0084087 (UN)

4-	2000
17-	2000
18-	2000
19-	2000
20-	2000
21-	2000
22-	2000
23-	2000
24-	2000
25-	2000
26-	2000
29-	2000
30-	2000
41-	2000



RXA0084087



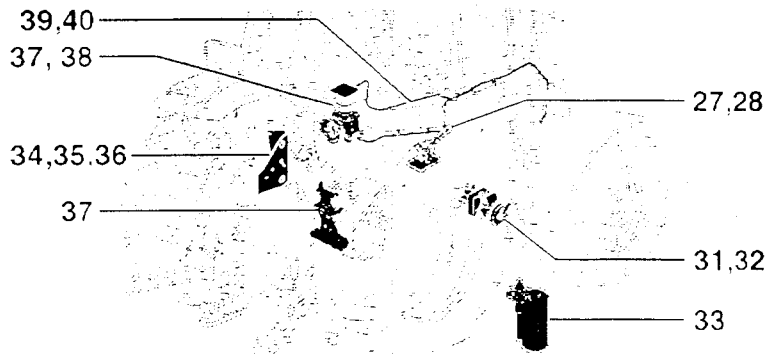
# 60-A03

STEERING AND BRAKES

SECTIONAL INDEX  
INDEX DE SECTION  
GRUPPENINDEX  
INDICE DELLA SEZIONE  
INDICE DE SECCION  
GRUPPSFORTECKNING

RXA0084088 -UN-

27	48
28	50
31	56
32	58
33	60
34	62
35	64
36	66
37	68
38	70
39	72
40	74
41	78



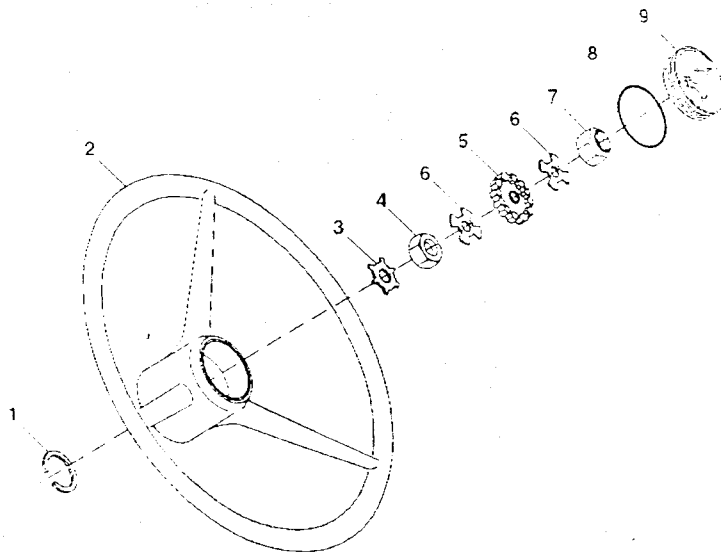
RXA0084088

# 60-1

## STEERING AND BRAKES

STEERING WHEEL  
 VOLANT DE DIRECTION  
 LENKRAD  
 VOLANTE  
 VOLANTE DE LA DIRECCION  
 RATT

RXA0066444 31MAR03



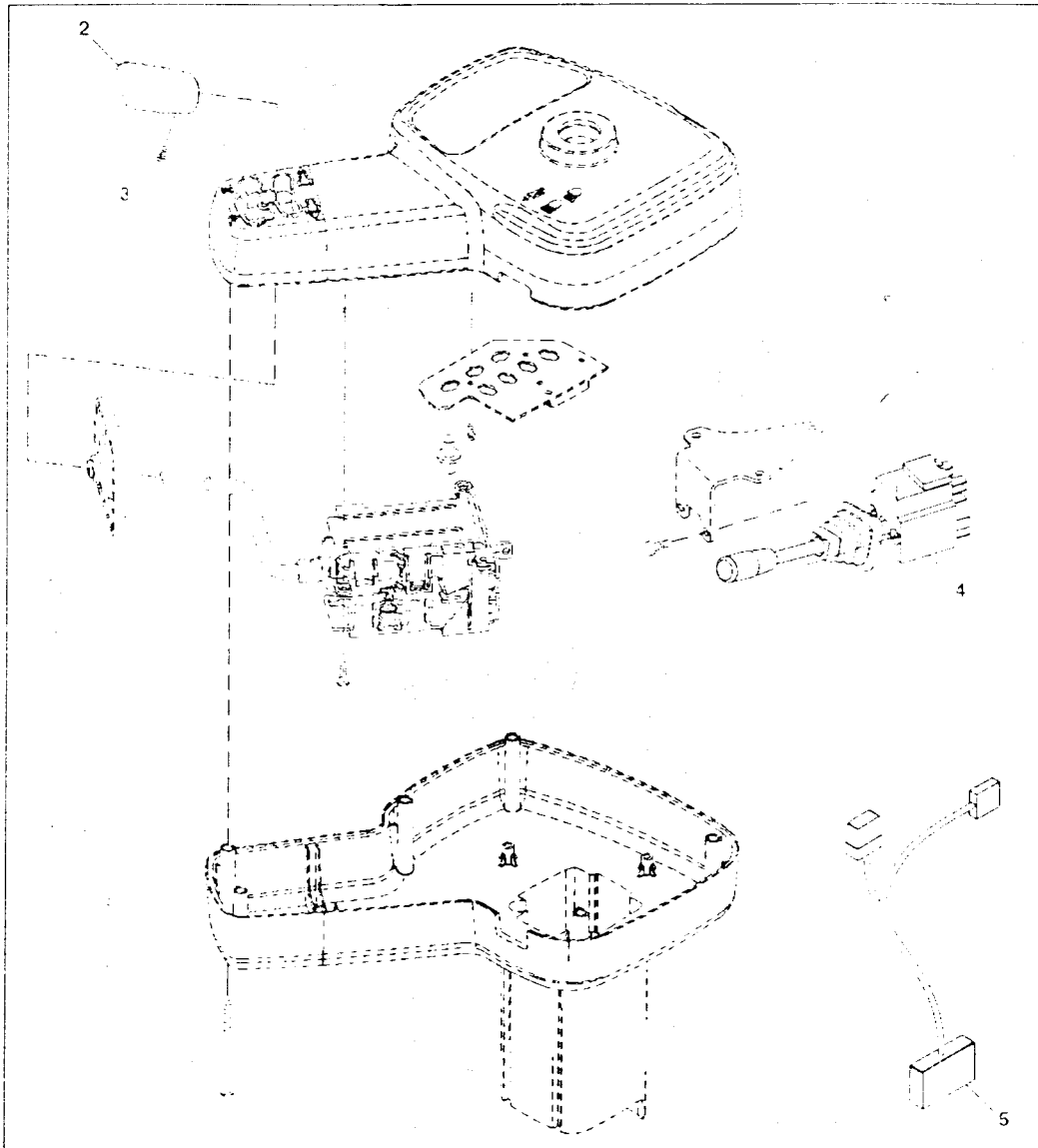
RXA0066444

KEY	PART NO.	PART NAME	QTY	CAB SERIAL NO.	A L L	REMARKS
1	R114841	SNAP RING	1		X	
2	RE39719	STEERING WHEEL	1		X	
	RE224090	STEERING WHEEL	1		X	(A)
	117148	LOCK WASHER	1		X	M20
	14M7257	NUT	1		X	
	R117432	KNOB	1		X	
	L100436	WASHER	2		X	M8
	14M7327	LOCK NUT	1		X	
	B3690R	O-RING	1		X	
	AL155227	COVER	1		X	

(A) LEATHER  
 CUIR  
 LEDER  
 PELLE  
 CUERO  
 LAEDER

STEERING COLUMN AND MOUNTING  
COLONNE DE DIRECTION ET MONTURE  
LENKSAEULE UND BEFESTIGUNG  
PIANTONE E MONTATURA STERZO  
COLUMNA DE DIRECCION Y MONTAJE  
STYRKOLONN OCH FAESTANORDNING

BXA0076664 -UN-29JUL04



BXA0076664

THIS PARTS LISTING IS CONTINUED

KEY	PART NO.	PART NAME	QTY.	CAB SERIAL NO.	A L L	REMARKS
1	RE241623	MODULE	1		X (A) (FNRP)	
	RE209891	MODULE	1		X (C) (PST CR (B) )	
	RE210427	MODULE	1		X (D) (PST CR (B) )	
2	R164403	KNOB	1		X	
3	21M7494	SCREW	1		X	
4	RE194478	TURN SIGNAL SWITCH	1		X (A)	
	RE151774	DETENT	1		X (B)	
5	RE195260	CAB WIRING HARNESS	1		X	

(A) IVT W/ LH REVERSER  
 IVT W/ INVERSEUR GAUCHE  
 IVT W/ LINKES UMKEHRGETRIEBE  
 IVT W/ INVERSORE SINISTRO  
 IVT W/ INVERSOR IZQUIERDO  
 IVT W/ VAENSTER FRAM-BACKKOPPLARE

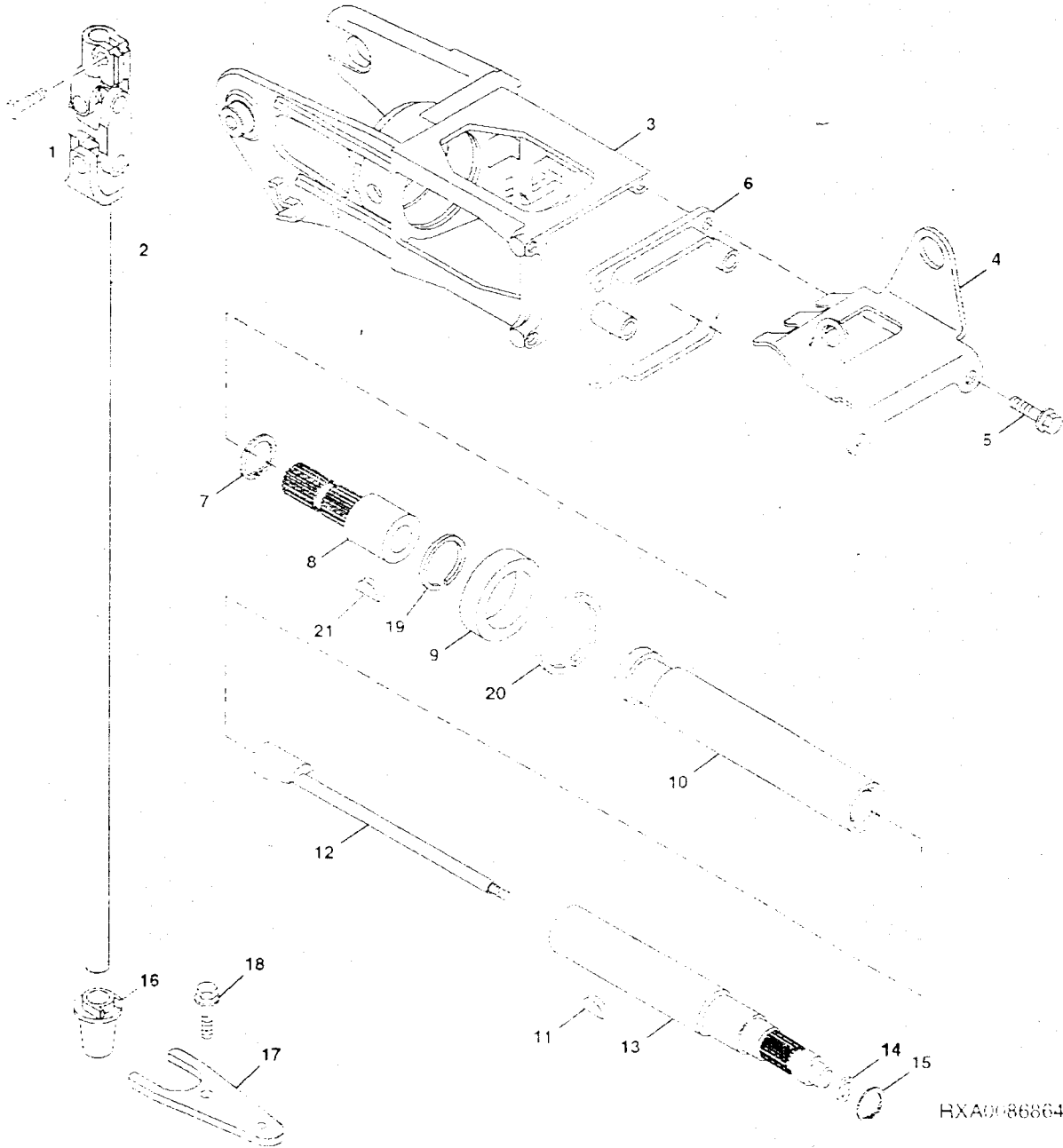
(C) NORTH AMERICAN VERSION  
 VERSION NORD AMERICAINE  
 NORDAMERIKANISCHE AUSFUEHRUNG  
 VERSIONE NORDAMERICANA  
 VERSION NORTEAMERICANA  
 NORDAMERIKANSK VERSION

(B) IVT W/ RH REVERSER  
 IVT W/ INVERSEUR DROIT  
 IVT W/ RECHTS UMKEHRGETRIEBE  
 IVT W/ INVERSORE DESTRO  
 IVT W/ INVERSOR DERECHO  
 IVT W/ HOGER FRAM-BACKKOPPLARE

(D) EUROPEAN VERSION  
 VERSION EUROPEENNE  
 EUROPAEISCHE AUSFUEHRUNG  
 VERSIONE EUROPEA  
 VERSION EUROPEA  
 EUROPEISK VERSION

STEERING SHAFT  
ARBRE DE DIRECTION  
LENKSPINDEL  
PIANTONE DELLO STERZO  
EJE DE DIRECCION  
STYRAXEL

RX41086664 UN-20FEB06



HXA0086864

THIS PARTS LISTING IS CONTINUED

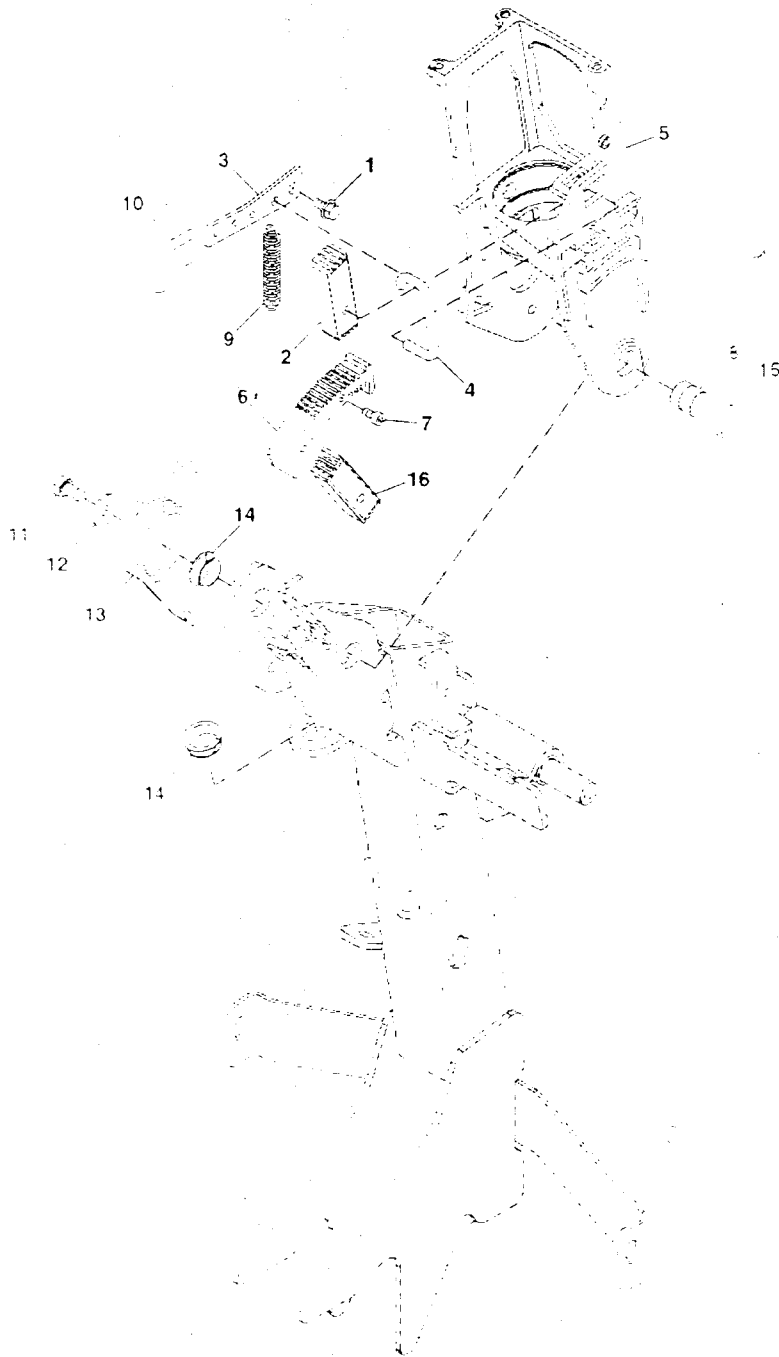
KEY	PART NO.	PART NAME	QTY.	TRACTOR SERIAL NO	A L L	REMARKS
1	9M8584	CAP SCREW	1		X	M10 X 30. HS 10.9
2	PE173363	UNIVERSAL JOINT WITH SHAFT	1		X	
3	126039	PIVOT	1		X	
4	107598	BRACKET	1		X	M6 X 16. HS 10.9
5	9M7775	SCREW	3		X	(PST OR (B))
6	126024	GUIDE	1		X	(A)
	184546	GUIDE	1		X	
7	9M7256	SNAP RING	1		X	
8	242501	END	1		X	
9	212762	BALL BEARING	1		X	
10	209502	HOUSING	1		X	5/16" X 1"
11	25H86	SHAFT KEY	1		X	
12	557594	ROD	1		X	7/32" X 1/2" X 0.049"
	24H1283	WASHER	1		X	
13	209893	SHAFT	1		X	1" X 1-3/8" X 0.060"
14	24H1439	WASHER	1		X	
15	9M7119	SNAP RING	1		X	
16	194112	GROMMET	1		X	
17	126911	STRAP	1		X	M6 X 16
18	9M7093	SCREW	1		X	
19	1364P	SNAP RING	1		X	
20	205485	SNAP RING	1		X	5/16" X 1"
21	25H86	SHAFT KEY	1		X	

A: IVT W LH REVERSER  
 IVT W INVERSEUR GAUCHE  
 IVT W LINKES UMKEHRGETRIEBE  
 IVT W INVERSOIRE SINISTRO  
 IVT W INVERSOR IZQUIERDO  
 IVT W VAENSTER FRAM-BACKKOPPLARE

B: IVT W RH REVERSER  
 IVT W INVERSEUR DROIT  
 IVT W RECHTS UMKEHRGETRIEBE  
 IVT W INVERSOIRE DESTRO  
 IVT W INVERSOR DERECHO  
 IVT W HOGER FRAM-BACKKOPPLARE

STEERING COLUMN PIVOT  
COLONNE DE DIRECTION, PIVOT  
LENKSAEULEN-GELENKZAPFEN  
ARTICOLAZIONE DEL PIANTONE DELLO STERZO  
PIVOTE DE COLUMNA DE DIRECCION  
RATTSTAANGSTAPP

RXA0066707 UN-15 APR 03



RXA0066707

KEY	PART NO.	PART NAME	QTY.	TRACTOR SERIAL NO.	A L L	REMARKS
1	19M774	SCREW	1		X	M6 X 12. HS 10.9
2	R126570	PAWL	1		X	
3	R107563	LEVER	1		X	
4	R120055	ROD	1		X	
5	R126039	PIVOT	1		X	
6	R126569	SECTOR	1		X	
7	19M7887	SCREW	1		X	M5 X 10. HS 12.9
8	R121466	DOWEL PIN	1		X	
9	H80128	EXTENSION SPRING	1		X	
10	L76191	HANDLE	1		X	
11	19M7932	CAP SCREW	1		X	M8 X 16. HS 10.9
12	24M7207	WASHER	1		X	8.400 X 24 X 2 MM
13	R107548	TORSION SPRING	1		X	
14	R111774	BUSHING	2		X	
15	R73380	SNAP RING	1		X	
16	R126570	PAWL	1		X	

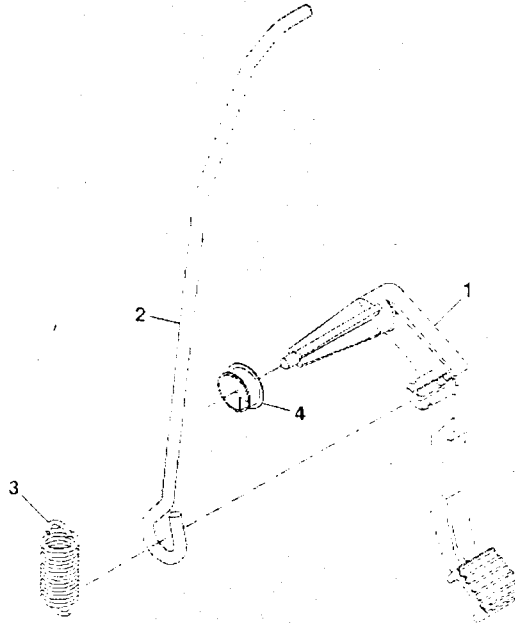


# 60-8

STEERING AND BRAKES

PIVOT RELEASE PEDAL  
 PEDALE DE DEVERROUILLAGE DE PIVOT  
 GELENKZAPPEN-AUSRUECKPEDAL  
 PEDALE DI RILASCIO DELL'ARTICOLAZIONE  
 PEDAL DE LIBERACION DE PIVOTE  
 VAENDTAPPENS UTLOESNINGSPEDAL

RXA0066708 -UN-10APR03

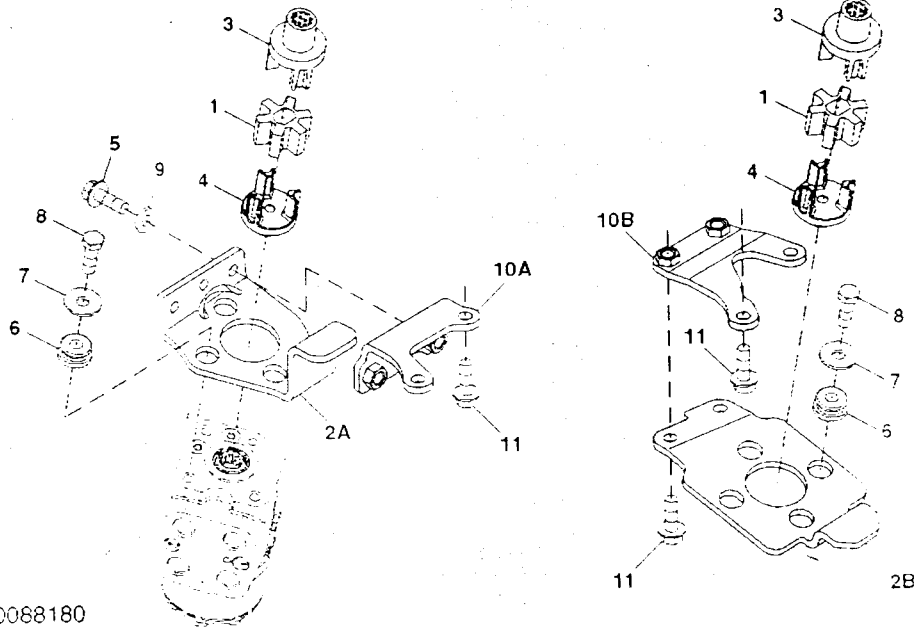


RXA0066708

KEY	PART NO.	PART NAME	QTY.	TRACTOR SERIAL NO.	A L L	REMARKS
1	R107551	PEDAL	1		X	
2	R182132	ROD	1		X	
3	R60730	EXTENSION SPRING	1		X	
4	R111774	BUSHING	1		X	

**STEERING VALVE BRACKET  
DISTRIBUTEUR DE DIRECTION, SUPPORT  
LENKVENTILHALTERUNG  
VALVOLA DELLO STERZO, STAFFA  
VALVULA DE DIRECCION, SOPORTE  
STYRVENTILFAESTE**

RXA0088180 -UN-11APR06



RXA0088180

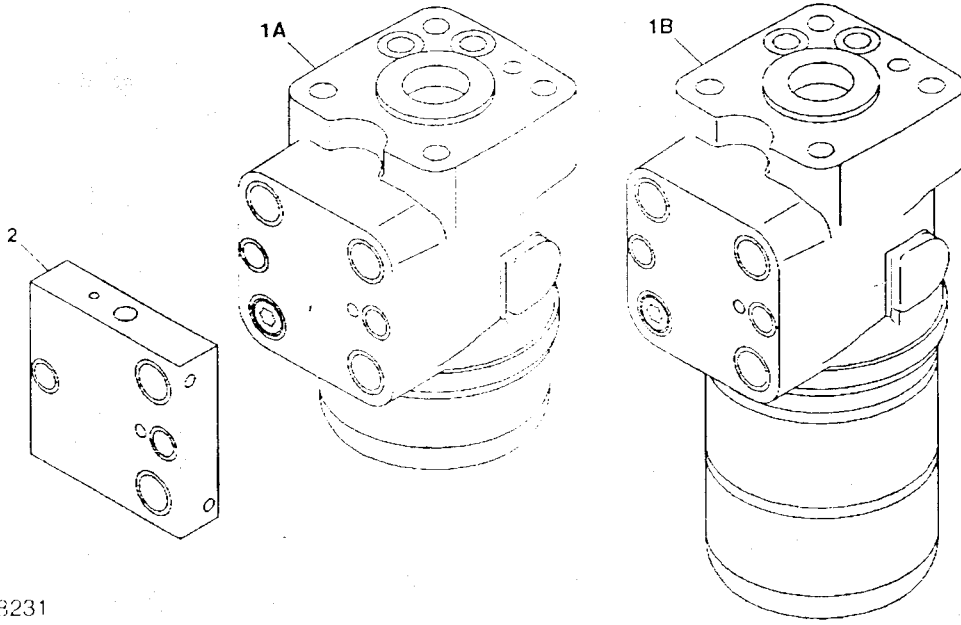
KEY	PART NO.	PART NAME	QTY.	TRACTOR SERIAL NO.	A L L	REMARKS
1	R126636	ISOLATOR	1		X	
2A	R220197	BRACKET	1	-XXXXXX	X	
2B	R259884	BRACKET	1	XXXXXX-	X	
3	R126640	SPLINED COUPLING	1		X	
4	R126641	SPLINED COUPLING	1		X	
5	19M7402	CAP SCREW	2	-XXXXXX	X	M10 X 25, HS 10.9
6	A1116162	ISOLATOR	4		X	
7	24M7178	WASHER	4		X	10.500 X 30 X 2.500 MM
8	19M7168	CAP SCREW	4		X	M10 X 30
9	24M7346	WASHER	2	-XXXXXX	X	11 X 20 X 2 MM
10A	RE229800	SUPPORT	1	-XXXXXX	X	
10B	RE259885	SUPPORT	1	XXXXXX-	X	
11	19M7167	CAP SCREW	2	-XXXXXX	X	M10 X 25
	19M7785	SCREW	4	XXXXXX-	X	M10 X 25, HS 10.9

# 60-10

STEERING AND BRAKES

STEERING VALVE (2WD)(PST)  
 SOUPAPE DE DIRECTION (2WD)(PST)  
 LENKVENTIL (2WD)(PST)  
 VALVOLA DELLO STERZO (2WD)(PST)  
 VALVULA DE DIRECCION (2WD)(PST)  
 STYRVENTIL (2WD)(PST)

RXA0088231 UN-05APR06

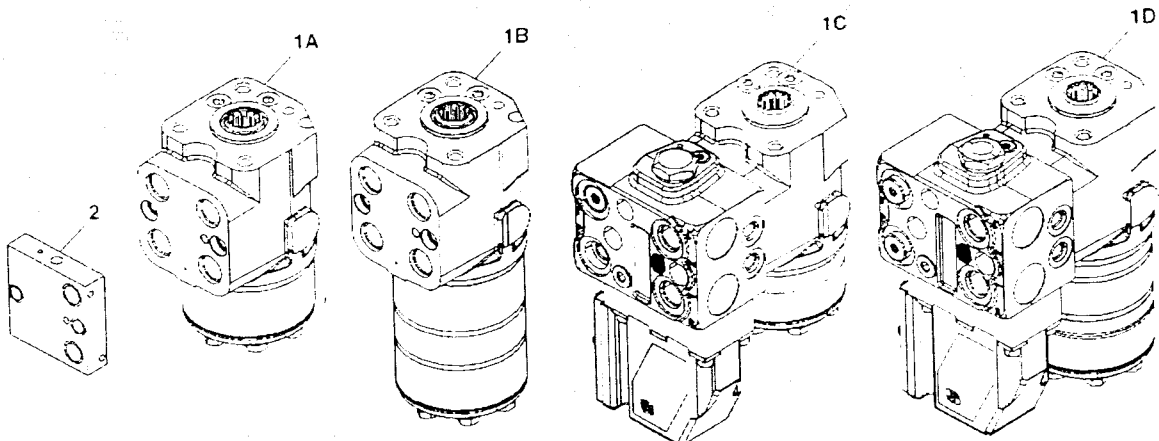


RXA0088231

KEY	PART NO.	PART NAME	QTY.	TRACTOR SERIAL NO.	8 1 3 0	REMARKS
1A	RE210938	VALVE	1	-XXXXXX	X	
1B	RE25090	FLOW CONTROL HYD. VALVE	1	XXXXXX-	X	
2	RE221309	VALVE	1		X	

STEERING VALVE (ILS)  
 SOUPAPE DE DIRECTION (ILS)  
 LENKVENTIL (ILS)  
 VALVOLA DELLO STERZO (ILS)  
 VALVULA DE DIRECCION (ILS)  
 STYRVENTIL (ILS)

RXA0088236 -UN-11APR06



RXA0088236

KEY	PART NO.	PART NAME	QTY.	TRACTOR SERIAL NO.	A L L	REMARKS
1A	RE210841	VALVE	1	-XXXXXX	X	
1B	RE242591	VALVE	1	XXXXXX-	X	(A) (IVT)(50K)
	RE257890	FLOW CONTROL HYD. VALVE	1	-XXXXXX	X (B)	
1C	RE220579	ELEC-HYD PROPORTIONAL VALVE	1	XXXXXX-	X (B)	
1D	RE242592	VALVE	1		X (A)	
	RE257891	FLOW CONTROL HYD. VALVE	1		X (A) (B) (IVT)(50K)	
2	RE221809	VALVE	1		X	

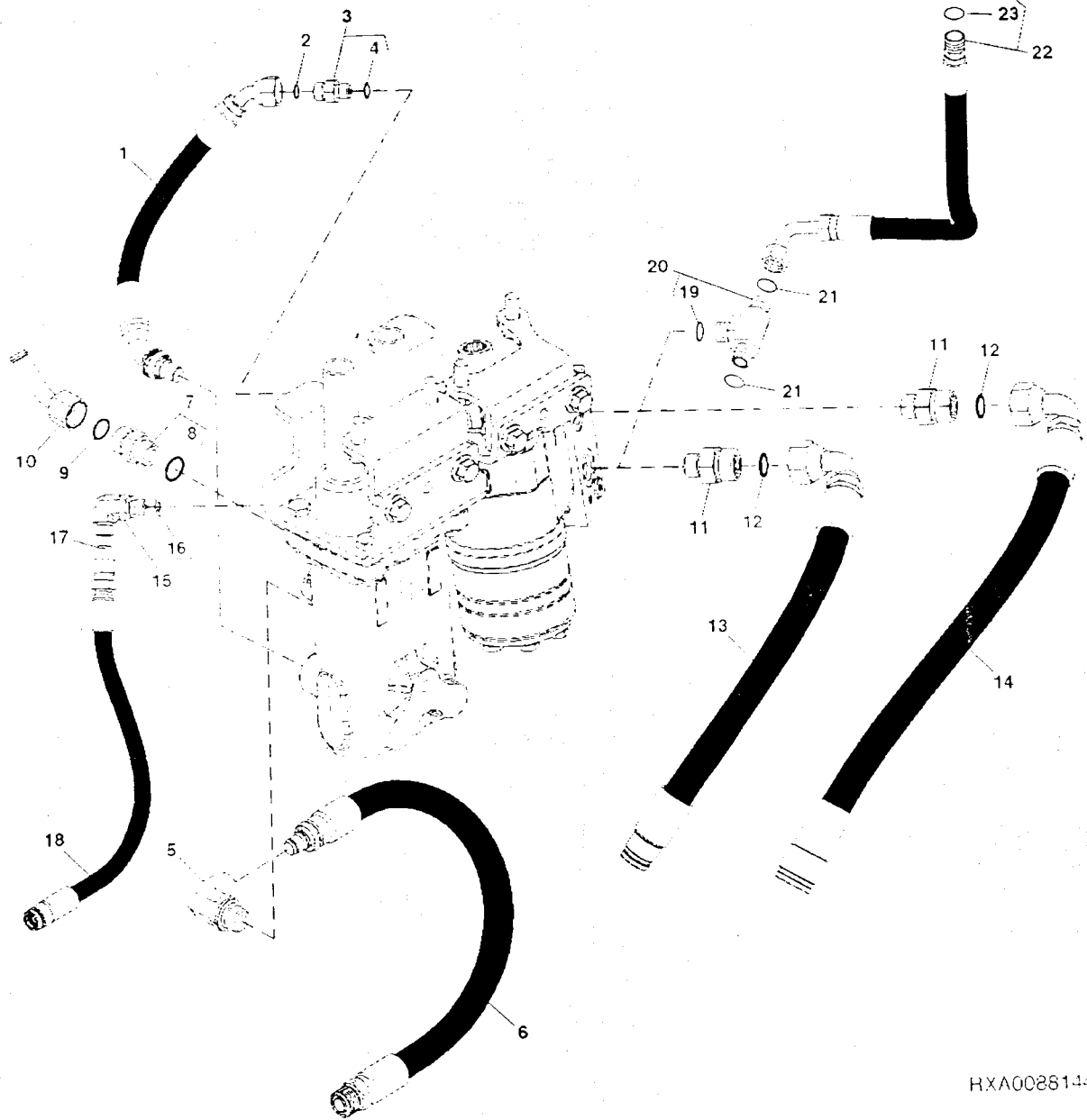
(A) EUROPEAN VERSION  
 VERSION EUROPEENNE  
 EUROPÄISCHE AUSFUEHRUNG  
 VERSIONE EUROPEA  
 VERSION EUROPEA  
 EUROPEISK VERSION

(B) W/ AUTOTRAC  
 W/ AUTOTRAC  
 W/ AUTOTRAC  
 W/ AUTOTRAC  
 W/ AUTOTRAC  
 W/ AUTOTRAC

STEERING VALVE LINES  
SOUPAPE PRIORITAIRE, CONDUITES  
VORRANGVENTIL, LEITUNGEN  
VALVOLA PRIORITARIA, TUBI  
VALVOLA PRIORITARIA, LINEAS  
PRIORITETSVENTIL, LEDNINGAR

RXA0088144

-UN-04APR05



RXA0088144

# 60-15

## STEERING AND BRAKES

KEY	PART NO.	PART NAME	QTY.	TRACTOR SERIAL NO.	A L L	REMARKS
1	RE215892	HYDRAULIC HOSE	1		X	(SUB RE250611) (STC)
2	T77814	O-RING	1		X	
3	38H5001	ADAPTER FITTING	1		X	
4	51M7040	O-RING	1		X	9.300 X 2.200 MM
5	62M1003	ADAPTER FITTING	1		X	
6	RE231522	HYDRAULIC HOSE	1		X	(STC)
7	38H5004	ADAPTER FITTING	1		X	
8	51M7045	O-RING	1		X	19.300 X 2.200 MM
9	T77932	O-RING	1		X	
10	RE220177	OIL LINE	1		X	
11	38H5010	ADAPTER FITTING	2		X	
12	T77932	O-RING	2		X	
13	RE215898	HYDRAULIC HOSE	1	-XXXXXX	X	(A)
	RE259945	HYDRAULIC HOSE	1	XXXXXX-	X	(A)
14	RE215889	HYDRAULIC HOSE	1	-XXXXXX	X	(B)
	RE259944	HYDRAULIC HOSE	1	XXXXXX-	X	(B)
15	38H5015	ELBOW FITTING	1		X	
16	51M7040	O-RING	1		X	9.300 X 2.200 MM
17	T77814	O-RING	1		X	
18	RE215893	HYDRAULIC HOSE	1	-XXXXXX	X	(STC)
	RE259946	HYDRAULIC HOSE	1	XXXXXX-	X	(STC)
19	51M7043	O-RING	1		X	(C) (IVT ILS)(50K)
20	38H5029	TEE FITTING	1		X	(C) (IVT ILS)(50K)
21	T77857	O-RING	2		X	(C) (IVT ILS)(50K)
22	RE259002	HYDRAULIC HOSE	1		X	(C) (IVT ILS)(50K)
23	T77613	O-RING	1		X	(C) (IVT ILS)(50K)

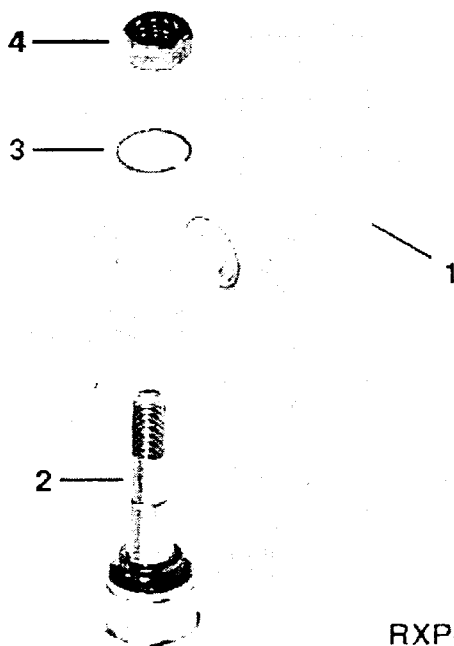
(A) PRESSURE  
PRESSION  
DRUCK  
PRESSIONE  
PRESION  
TRYCK

(B) RETURN  
RETOUR  
RUECKLAUF  
RITORNO  
RETORNO  
RETUR

(C) EUROPEAN VERSION  
VERSION EUROPEENNE  
EUROPAEISCHE AUSFUEHRUNG  
VERSIONE EUROPEA  
VERSION EUROPEA  
EUROPEISK VERSION

STEERING CYLINDER (ADJUSTABLE AXLE) (PST)  
 VERIN DE DIRECTION (ESSIEU REGLABLE) (PST)  
 LENKZYLINDER (EINSTELLBARE ACHSE) (PST)  
 CILINDRO DI GUIDA (ASSALE REGOLABILE) (PST)  
 CILINDRO DE LA DIRECCION (EJE AJUSTABLE) (PST)  
 STYRCYLINDER (REGLERBAR AXEL) (PST)

RXP010860 -UN-01JAN94

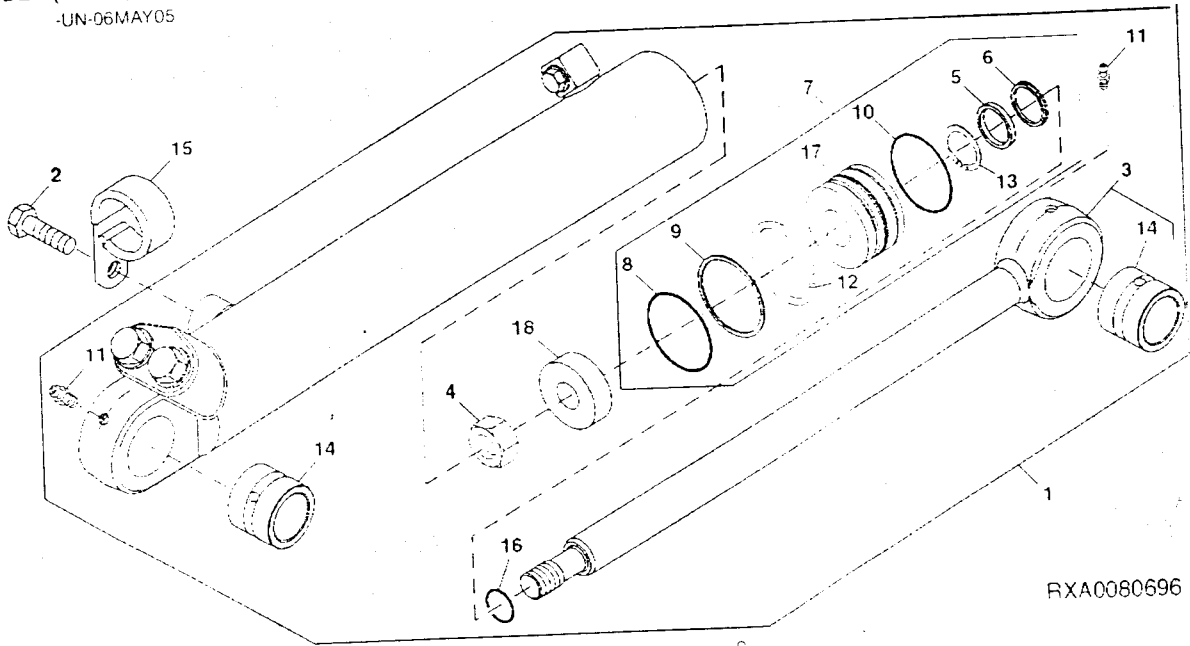


RXP010860

KEY	PART NO.	PART NAME	QTY.	TRACTOR SERIAL NO.	REMARKS
1	RE178676	HYDRAULIC CYLINDER	1	8	X (SUB RE247841)
2	AL75721	END	2	1	X
3	A5518R	SNAP RING	2	3	X
4	14M7173	LOCK NUT	2	0	X M20

STEERING CYLINDER (MFWD)  
 VERIN DE DIRECTION (MFWD)  
 LENKZYLINDER (MFWD)  
 CILINDRO DI GUIDA (MFWD)  
 CILINDRO DE LA DIRECCION (MFWD)  
 STYRCYLINDER (MFWD)

RXA0080696 -UN-06MAY05



RXA0080696

KEY	PART NO.	PART NAME	QTY.	TRACTOR SERIAL NO.	REMARKS
				8	
				4	
				3	
				0	
1	RE246378	HYDRAULIC CYLINDER	1		X R.H. (SEE FOR RE210225)
	RE246379	HYDRAULIC CYLINDER	1		X L.H. (SEE FOR RE210226)
2	19M7783	SCREW	1		X M10 X 1 1/2
3	AH219514	ROD	1		X
4	H207111	NUT	1		X
5	H158676	SEAL	1		X
6	H176260	SEAL	1		X
7	AH206245	HYDRAULIC CYLINDER KIT	1		X
8	H155964	O-RING	1		X
9	R78393	BACK-UP RING	1		X
10	M44162	O-RING	1		X
11	JD7798	LUBRICATION FITTING	2		X
12	H164204	SNAP RING	1		X
13	H164205	SNAP RING	1		X
14	R152274	BUSHING	2		X
15	N191985	CLIP	1		X
16	P45750	O-RING	1		X
17	H206364	HYDR. CYLINDER ROD GUIDE	1		X
18	AH206243	PISTON	1		

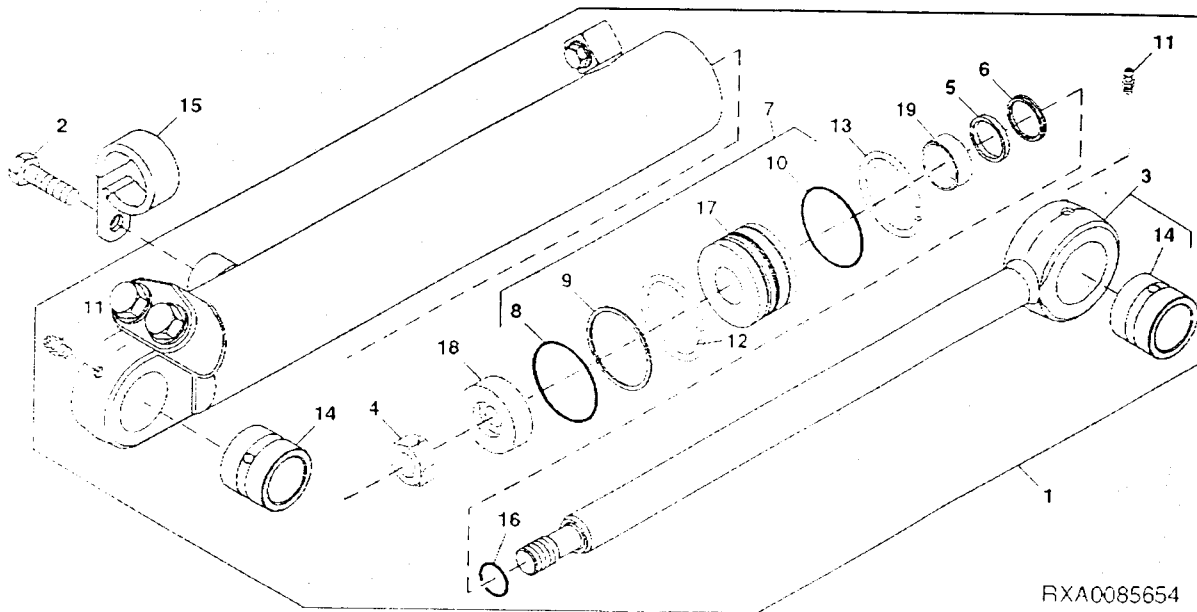


# 60-20

STEERING AND BRAKES

STEERING CYLINDER (MFWD)(TSN 001001- )  
 VERIN DE DIRECTION (MFWD)  
 LENKZYLINDER (MFWD)  
 CILINDRO DI GUIDA (MFWD)  
 CILINDRO DE LA DIRECCION (MFWD)  
 STYRCYLINDER (MFWD)

RXA0085654 -UN-03JAN06



RXA0085654

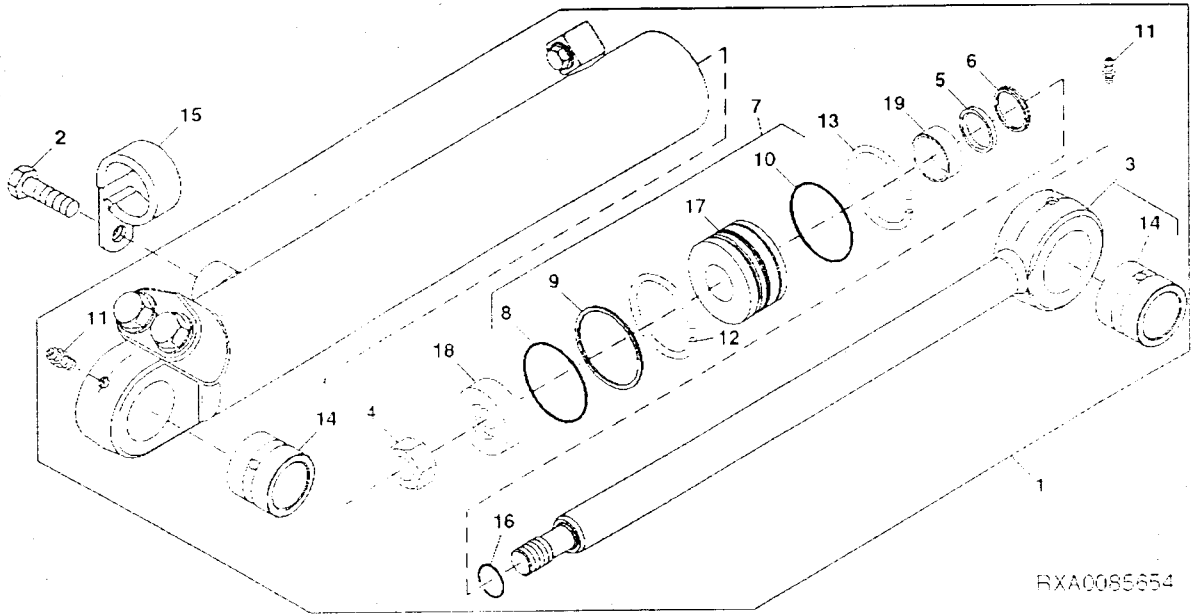
PART NO.	PART NAME	QTY.	TRACTOR SERIAL NO	REMARKS
RE246378	HYDRAULIC CYLINDER	1	8 8 8	
RE246379	HYDRAULIC CYLINDER	1	1 2 3	
19117783	SCREW	1	3 3 3	
AH219514	ROD	1	0 0 0	M10 X 16
H207111	NUT	1		
H158678	SEAL	1		
H164925	SEAL	1		
AH164325	HYDRAULIC CYLINDER KIT	1		
H155964	O-RING	1		
R78393	BACK-UP RING	1		
M44162	O-RING	1		
JD7798	LUBRICATION FITTING	2		
H164204	SWAP RING	1		
H180243	SNAP RING	1		
R152274	BUSHING	2		
N191965	CLIP	1		
P45750	O-RING	1		
H220533	HYDR. CYLINDER ROD GUIDE	1		
AH206243	PISTON	1		
H151629	WEAR RING	1		

# 60-21

STEERING AND BRAKES

STEERING CYLINDER (MFWD)(TSN 001001- )  
 VERIN DE DIRECTION (MFWD)  
 LENKZYLINDER (MFWD)  
 CILINDRO DI GUIDA (MFWD)  
 CILINDRO DE LA DIRECCION (MFWD)  
 STYRCYLINDER (MFWD)

RXA0085654 -UN-03JAN06



RXA0085654

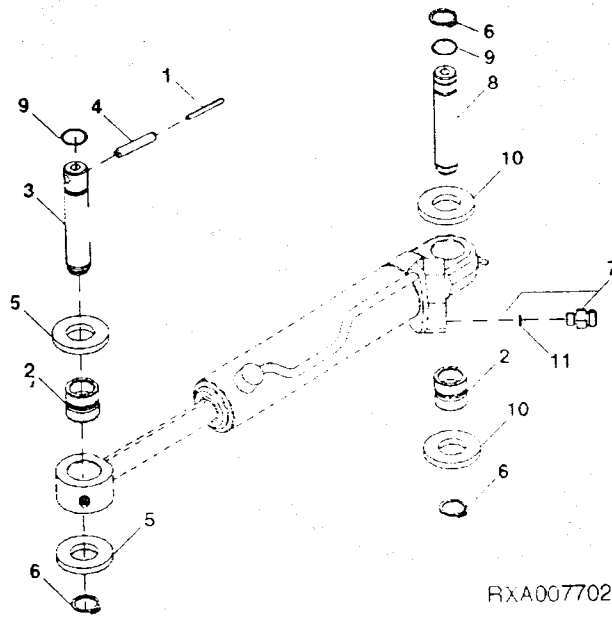
KEY	PART NO.	PART NAME	QTY	TRACTOR SERIAL NO	REMARKS
1	RE246378	HYDRAULIC CYLINDER	1	8	X R.H.
	RE246379	HYDRAULIC CYLINDER	1	4	X L.H.
2	19M7783	SCREW	1	3	X M10 X 16
3	AH219514	ROD	1	0	X
4	H207111	NUT	1		X
5	H158676	SEAL	1		X
6	H164925	SEAL	1		X
7	AH164325	HYDRAULIC CYLINDER FIT	1		X
8	H155964	O-RING	1		X
9	R78393	BACK-UP RING	1		X
10	M44162	O-RING	1		X
11	JD7798	LUBRICATION FITTING	2		X
12	H164204	SNAP RING	1		X
13	H180248	SNAP RING	1		X
14	R152274	BUSHING	2		X
15	N191985	CLIP	1		X
16	P45750	O-RING	1		X
17	H220532	HYDR. CYLINDER ROD GUIDE	1		X
18	AH206243	PISTON	1		X
19	H151629	WEAR RING	1		X

# 60-23

STEERING AND BRAKES

STEERING CYLINDER ATTACHING PINS (MFWD)  
 GOUPILLES DE FIXATION DU VERIN DE DIRECTION (MFWD)  
 LENKZYLINDER-BEFESTIGUNGSBOLZEN (MFWD)  
 PERNI DI ATTACCO CILINDRO STERZO (MFWD)  
 PASADORES DE FIJACION DEL CILINDRO DE DIRECCION (MFWD)  
 FAESTSPRINTAR FOER STYRCYLINDER (MFWD)

RXA0077021 UN-23AUG04

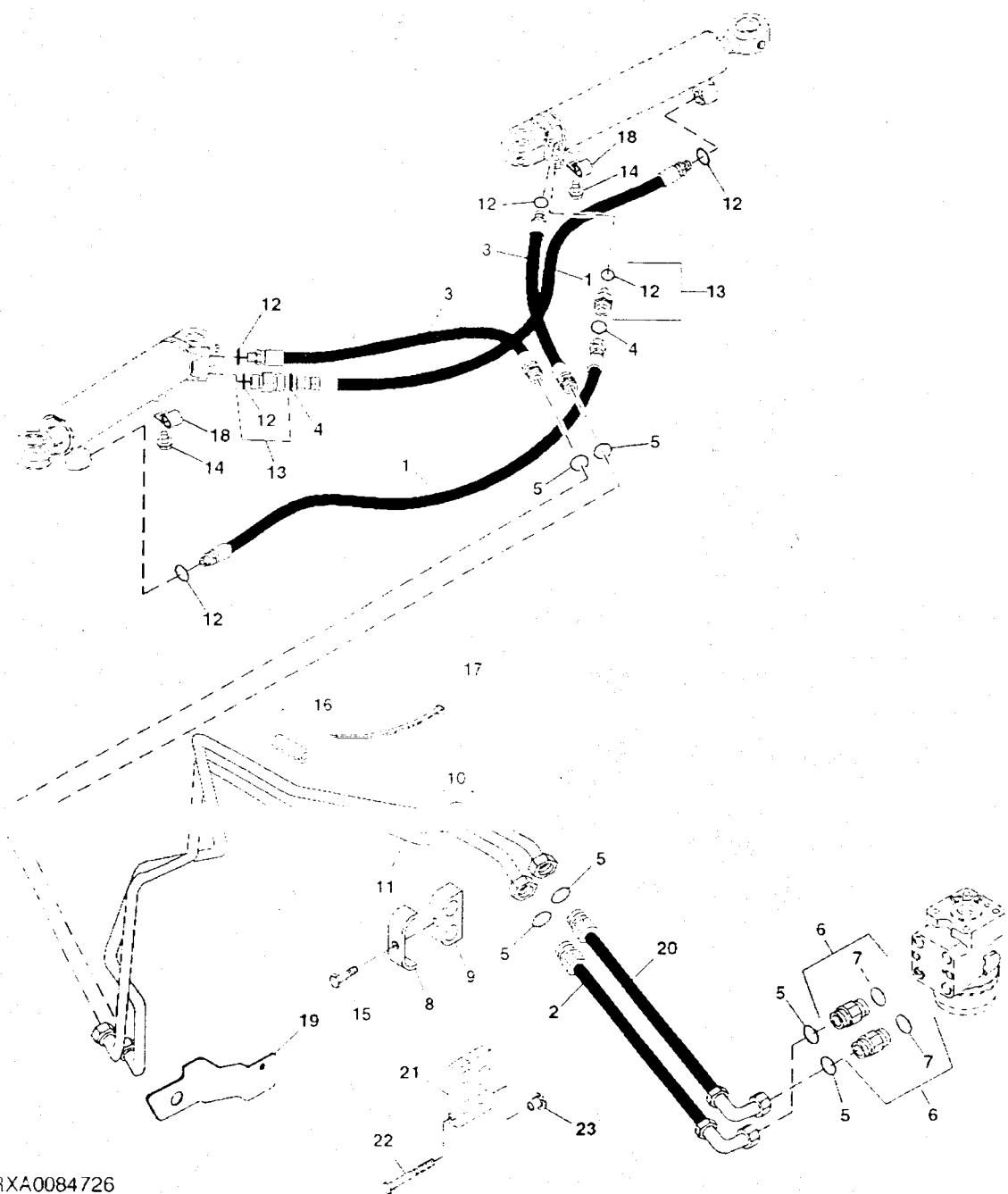


RXA0077021

PART NO.	PART NAME	QTY	TRACTOR SERIAL NO	A L L	REMARKS
34H305	SPRING PIN	4		X	7.32" X 2"
R152274	BUSHING	2		X	
R133564	PISTON	2		X	3.8" X 2"
34H421	SPRING PIN	2		X	
R95119	SEAL	4		X	
40M7259	SNAP RING	2		X	
38H5002	ADAPTER FITTING	2		X	
R133572	PIN	2		X	
R47889	O-RING	2		X	
51M7043	O-RING	2		X	15.300 X 2.200 MM

STEERING CYLINDER LINES (MFWD)  
CONDUITES DES VERINS DE DIRECTION (MFWD)  
LENKZYLINDERLEITUNGEN (MFWD)  
LINEE DEL CILINDRO CELLO STERZO (MFWD)  
LINEAS DE LOS CILINDROS DE LA DIRECCION (MFWD)  
STYRCYLINDERLEDNINGAR (MFWD)

Rx A0084726 -JN-21OCT05



RXA0084726

THIS PARTS LISTING IS CONTINUED

# 60-25

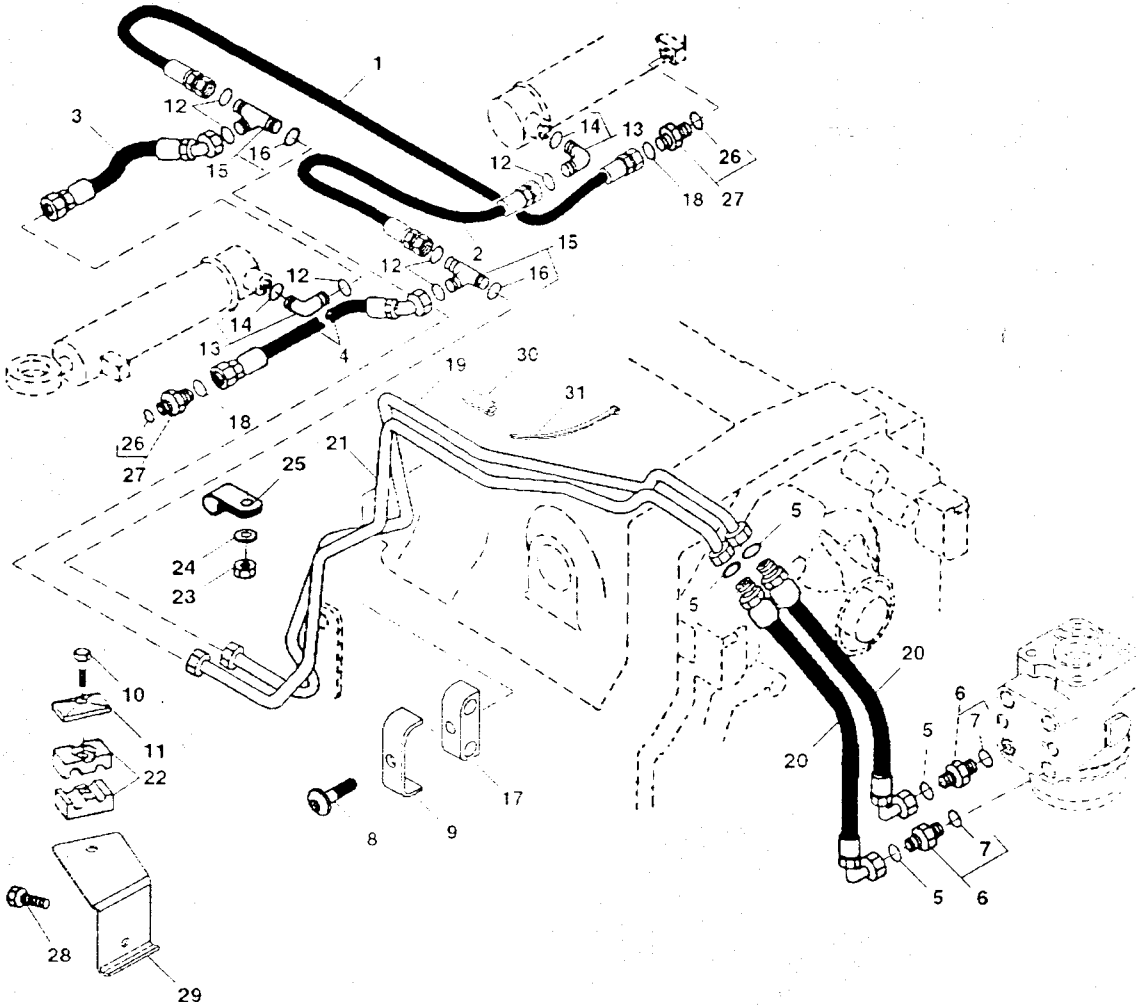
STEERING AND BRAKE

KEY	PART NO.	PART NAME	QTY.	TRACTOR SERIAL NO.	A L L	REMARKS
1	RE204691	HYDRAULIC HOSE	2		X	
2	RE243516	HYDRAULIC HOSE	1		X	
3	RE204690	HYDRAULIC HOSE	2		X	
4	T77613	O-RING	2		X	9.246 X 1.778 MM
5	T77857	O-RING	6		X	12.421 X 1.778 MM
6	38H5033	ADAPTER FITTING	2		X	15.300 X 2.200 MM
7	51M7043	O-RING	2		X	
8	R184060	COVER	1		X	
9	R184066	CLAMP	1		X	
10	RE220171	OIL LINE	1		X	
11	RE220172	OIL LINE	1		X	11.300 X 2.200 MM
12	51M7041	O-RING	6		X	
13	38H5032	ADAPTER FITTING	2		X	M10 X 15
14	19M7793	SCREW	2		X	
15	R184640	SCREW	1		X	
16	TY22325	BULK HOSE	2		X	
17	R44302	TIE BAND	2		X	
18	N191985	CLIP	2		X	
19	R224044	BRACKET	1		X	
20	RE243516	HYDRAULIC HOSE	1		X	(A)
	RE243519	HYDRAULIC HOSE	1		X	
21	R243544	CLAMP	1		X	M8 X 75
22	19M8874	SCREW	1		X	
23	R184365	NUT	1		X	

(A) W AUTOTRAC  
W AUTOTRAC  
W AUTOTRAC  
W AUTOTRAC  
W AUTOTRAC  
W AUTOTRAC

STEERING CYLINDER LINES (W/O MFWD)  
 CONDUITES DES VERINS DE DIRECTION (W/O MFWD)  
 LENKZYLINDERLEITUNGEN (W/O MFWD)  
 LINEE DEL CILINDRO DELLO STERZO (W/O MFWD)  
 LINEAS DE LOS CILINDROS DE LA DIRECCION (W/O MFWD)  
 STYRCYLINDERLEDNINGAR (W/O MFWD)

RXA0083586 -UN-25AUG05



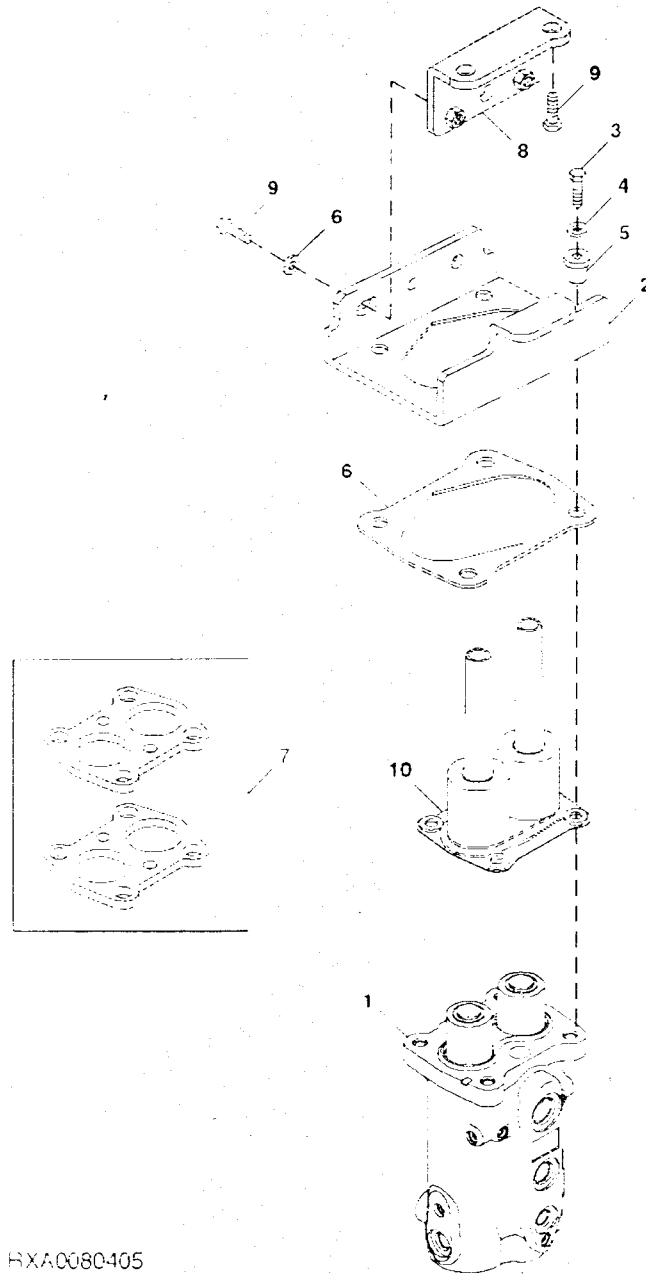
RXA0083586

THIS PARTS LISTING IS CONTINUED

KEY	PART NO.	PART NAME	QTY.	TRACTOR SERIAL NO.	8 1 3 0	REMARKS
	RE61746	HYDRAULIC HOSE	1		X	
	RE61745	HYDRAULIC HOSE	1		X	
	RE61576	HYDRAULIC HOSE	1		X	
	RE61578	HYDRAULIC HOSE	1		X	
	T77857	O-RING	4		X	
	38H5003	ADAPTER FITTING	2		X	
	51M7043	O-RING	2		X	15.300 X 2.200 MM
	R184640	SCREW	2		X	
	R184063	COVER	2		X	
	19M7185	CAP SCREW	1		X	M8 X 60
	H112567	PLATE	1		X	
	T77857	O-RING	6		X	
	38H5017	ELBOW FITTING	2		X	
	51M7043	O-RING	2		X	15.300 X 2.200 MM
	38H5031	TEE FITTING	2		X	
	T77857	O-RING	2		X	
	R184066	CLAMP	2		X	
	T77613	O-RING	2		X	9.246 X 1.778 MM
	RE246117	OIL LINE	1		X	
	RE243515	HYDRAULIC HOSE	2		X	
	RE246116	OIL LINE	1		X	
	H141513	CLAMP	2		X	
	14M7273	NUT	2		X	M12
	24M7247	WASHER	2		X	13 X 25 X 3 MM
	R125467	CLAMP	2		X	
	51M7047	O-RING	4		X	11.300 X 2.200 MM
	38H5002	ADAPTER FITTING	2		X	
	19M7162	CAP SCREW	1		X	M8 X 16
	RE65330	BRACKET	1		X	
	TY22323	BULK HOSE	2		X	
	R44302	TIE BAND	2		X	

BRAKE VALVE BRACKET  
MAITRE-CYLINDRE  
BREMSVENTIL  
VALVOLA FRENO  
VALVULA DE MANDO DEL FRENO  
BROMSVENTIL

RXA0080405 -UN-26APR05



RXA0080405



# 60-29

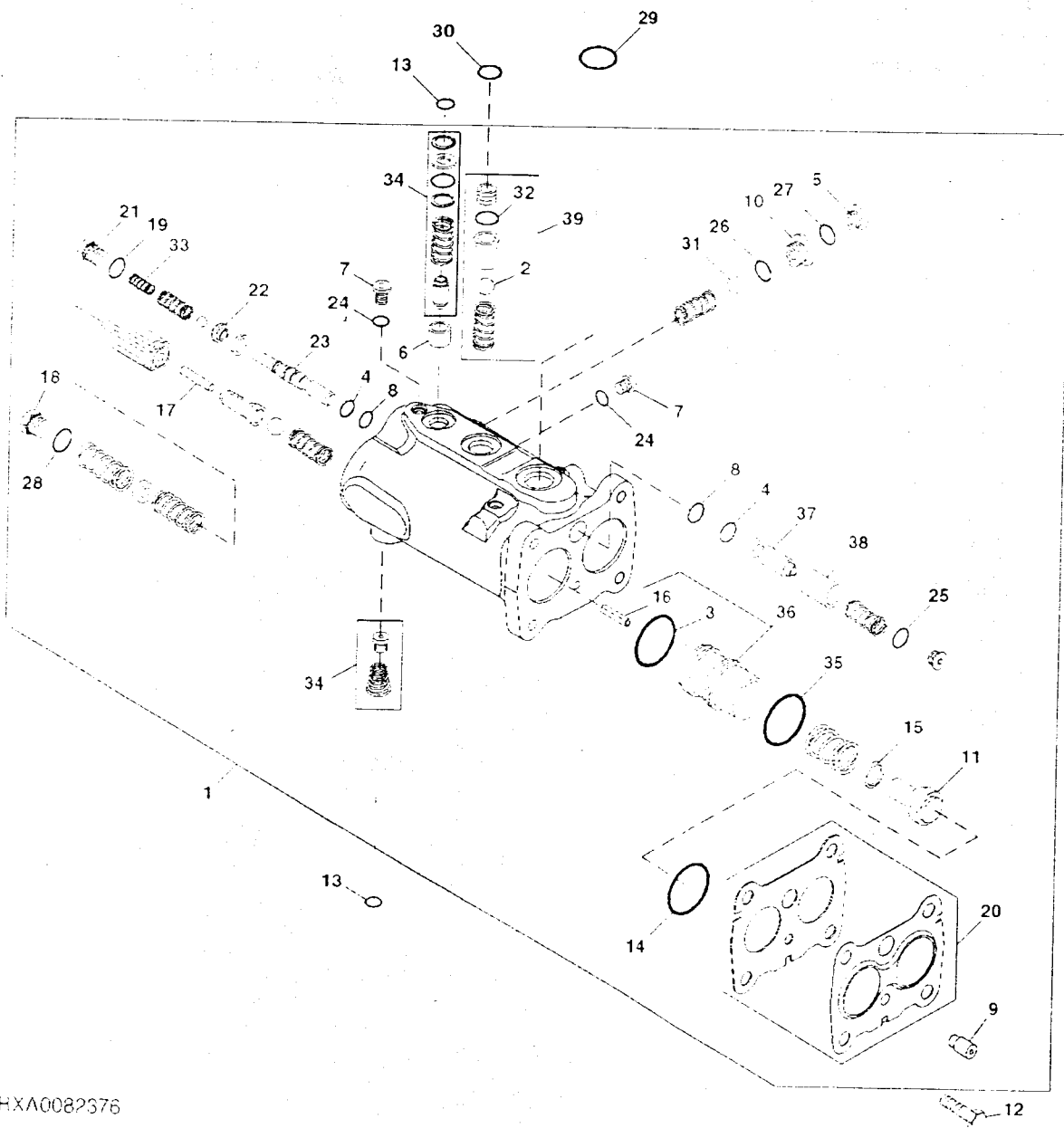
STEERING AND BRAKES

KEY	PART NO.	PART NAME	QTY.	TRACTOR SERIAL NO.	A L L	REMARKS
1	RE210856	CONTROL VALVE	1		X	
2	R214274	BRACKET	1		X (PST)	
	R119869	BRACKET	1		X (IVT)	
3	19M7550	CAP SCREW	4		X	
4	24M7136	WASHER	4		X	10.500 X 27 X 2 MM
5	AT116162	ISOLATOR	4		X	
6	R213131	GASKET	1		X	
7	RE60531	KIT	1		X	
8	RE66712	SUPPORT	1		X	
9	19M7785	SCREW	4		X	M10 X 25. HS 10.9
10	R126571	BOOT	1		X	

**BRAKE VALVE**  
**MAITRE-CYLINDRE**  
**BREMSVENTIL**  
**VALVOLA FRENO**  
**VALVULA DE MANDO DEL FRENO**  
**BROMSVENTIL**

RXA0082376

-UN-05AUG05

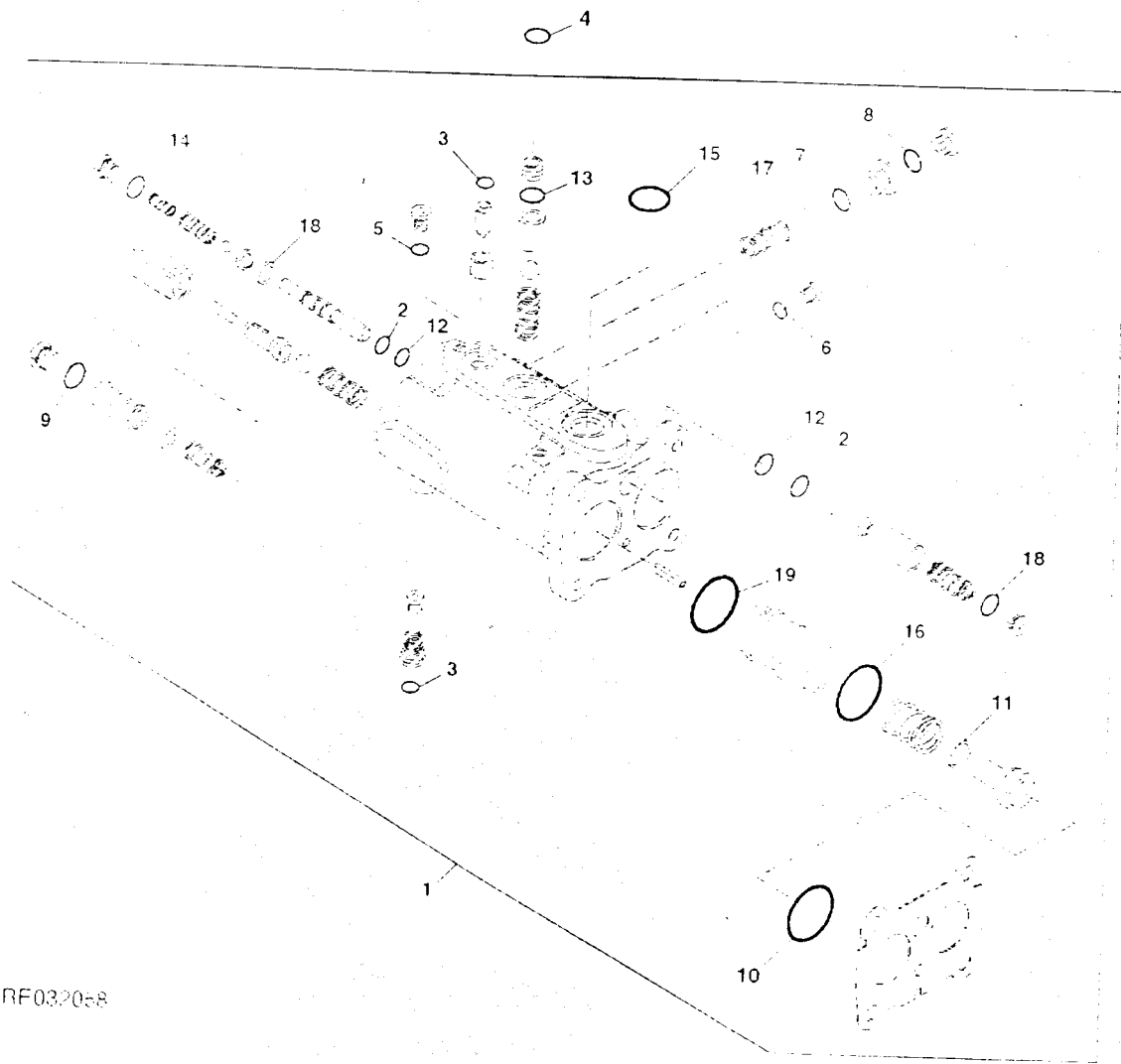


HXA0082376

KEY	PART NO.	PART NAME	QTY.	TRACTOR SERIAL NO.	A L L	REMARKS
1	RE210856	CONTROL VALVE	1		X	
2	R26552	BALL	1		X	
3	R124462	PISTON RING	2		X	
4	T42571	BACK-UP RING	2		X	
5	R108037	DRAIN PLUG	1		X	
6	N191770	ORIFICE	1		X	
7	R108038	DRAIN PLUG	2		X	
8	R108066	O-RING	2		X	
9	R223259	PLUG	2		X	
10	R108045	VALVE SEAT INSERT	1		X	
11	R124478	SHEAR PIN	2		X	
12	19M7166	CAP SCREW	4		X	M10 X 20
13	51M7041	O-RING	3		X	11.300 X 2.200 MM
14	R108041	SEAL	2		X	
15	R124464	SEAL	2		X	5 X 24 MM
16	25M7039	GROOVE PIN	2		X	
17	R60755	NEEDLE ROLLER	2		X	
18	R108062	PLUG	2		X	
19	T77932	O-RING	2		X	
20	RE60531	KIT	1		X	
21	R132840	PLUG	1		X	
22	R132841	VALVE SEAT INSERT	1		X	
23	R108051	PISTON	1		X	
24	R30903	O-RING	2		X	
25	R113057	PACKING	2		X	
26	R26287	O-RING	1		X	
27	R26448	O-RING	1		X	
28	U17409	O-RING	2		X	
29	51M7045	O-RING	1		X	19.300 X 2.200 MM
30	51M7043	O-RING	1		X	15.300 X 2.200 MM
31	R113061	BALL	1		X	
32	R28776	O-RING	1		X	
33	R132843	SPRING	1		X	
34	RE228330	KIT	2		X	
35	R124463	SEAL	2		X	
36	RE159217	KIT	2		X	
37	R159216	PISTON	1		X	
38	R124475	SPCOL	1		X	
39	RE155450	KIT	1		X	

BRAKE VALVE OVERHAUL KIT  
JEU DE PIECES DE REMPLACEMENT DE SOUPAPE DE FREIN  
BREMSVENTILUEBERHOLSATZ  
KIT SOSTITUZIONE VALVOLA FRENO  
JUEGO DE REVISION DEL FRENO DE VALVULA  
RENOVERINGSSATS FOER BROMSVENTIL

RE032058 -UN-07MAY01



RF032058

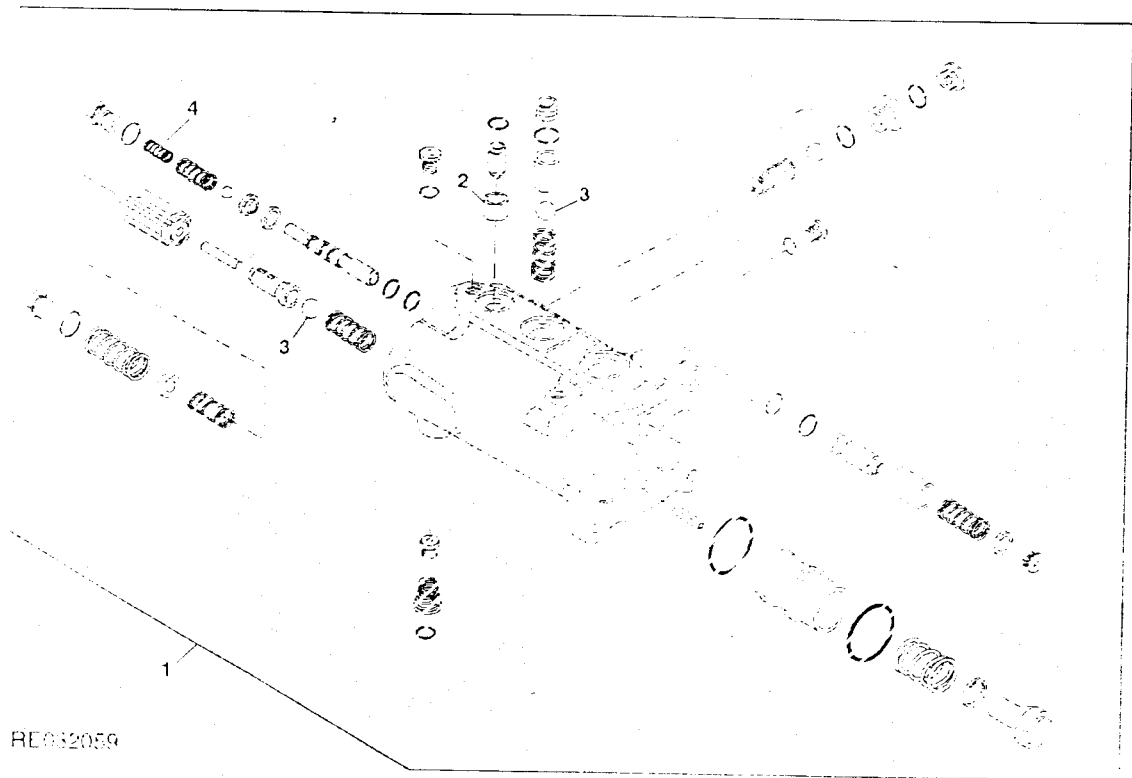
## 60-33

STEERING AND BRAKES

KEY	PART NO.	PART NAME	QTY.	TRACTOR SERIAL NO.	A L L	REMARKS
1	RE157111	KIT	1		X	
2	T42571	BACK-UP RING	1		X	
3	51M7041	O-RING	3		X	11.300 X 2.200 MM
4	51M7043	O-RING	1		X	15.300 X 2.200 MM
5	R30903	O-RING	1		X	
6	R30903	O-RING	4		X	
7	R26287	O-RING	1		X	
8	R26448	O-RING	1		X	
9	U17409	O-RING	2		X	
10	R128041	SEAL	2		X	
11	R124464	SEAL	2		X	
12	R123066	O-RING	2		X	
13	R23776	O-RING	1		X	
14	T77932	O-RING	1		X	
15	51M7045	O-RING	1		X	19.300 X 2.200 MM
16	R124463	SEAL	2		X	
17	R113061	BALL	1		X	
18	R113057	PACKING	2		X	
19	R12462	PISTON RING	2		X	

**BRAKE VALVE HARDWARE KIT**  
**JEU DE BOULONNERIE DE SOUPE DE FREIN**  
**BREMSVENTIL-BEFESTIGUNGSTEILESATZ**  
**KIT BULLONERIA DELLA VALVOLA DI RITENUTA DEL FRENO**  
**CONJUNTO DE SUJETADORES DE LA VALVULA DEL FRENO**  
**FAESTELEMEN FOER BROMSVENTIL**

RE032059      JUN-07-MAY01



RE032059

# 60-35

STEERING AND BRAKES

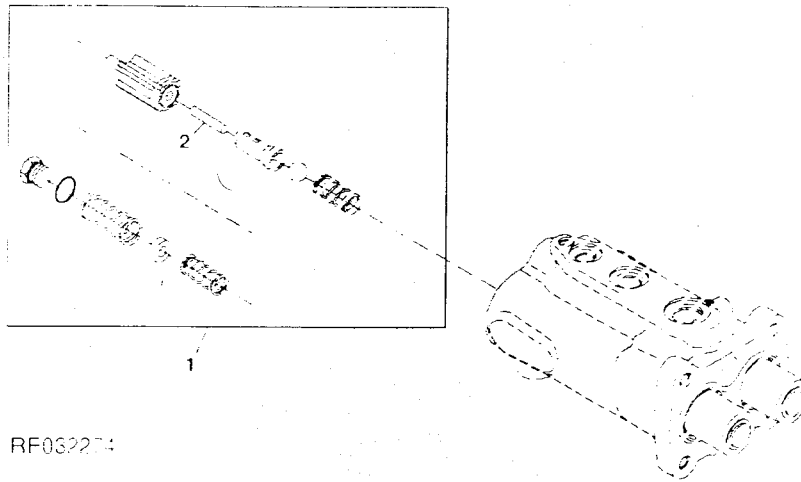
KEY	PART NO.	PART NAME	QTY.	TRACTOR SERIAL NO.	A L L	REMARKS
1	RE67963	KIT	1		X	
2	N191770	ORIFICE	1		X	
3	R26552	BALL	3		X	
4	R132843	SPRING	1		X	

# 60-36

STEERING AND BRAKES

**BRAKE MAKE-UP CHECK VALVE KIT**  
**JEU DE CLAPET DE RETENUE DE COMPENSATION DE FREIN**  
**BREMSAUSGLEICH-RUECHSCHLAGVENTILSATZ**  
**KIT VALVOLA DI RITENUTA COMPENSAZIONE DEI FRENI**  
**CONJUNTO DE VALVULA DE RETENCION DE COMPENSACION DEL FRENO**  
**REDUCERVENTILSATS FOER BROMSUTJAEMNING**

RE032274 -UN-20NOV00



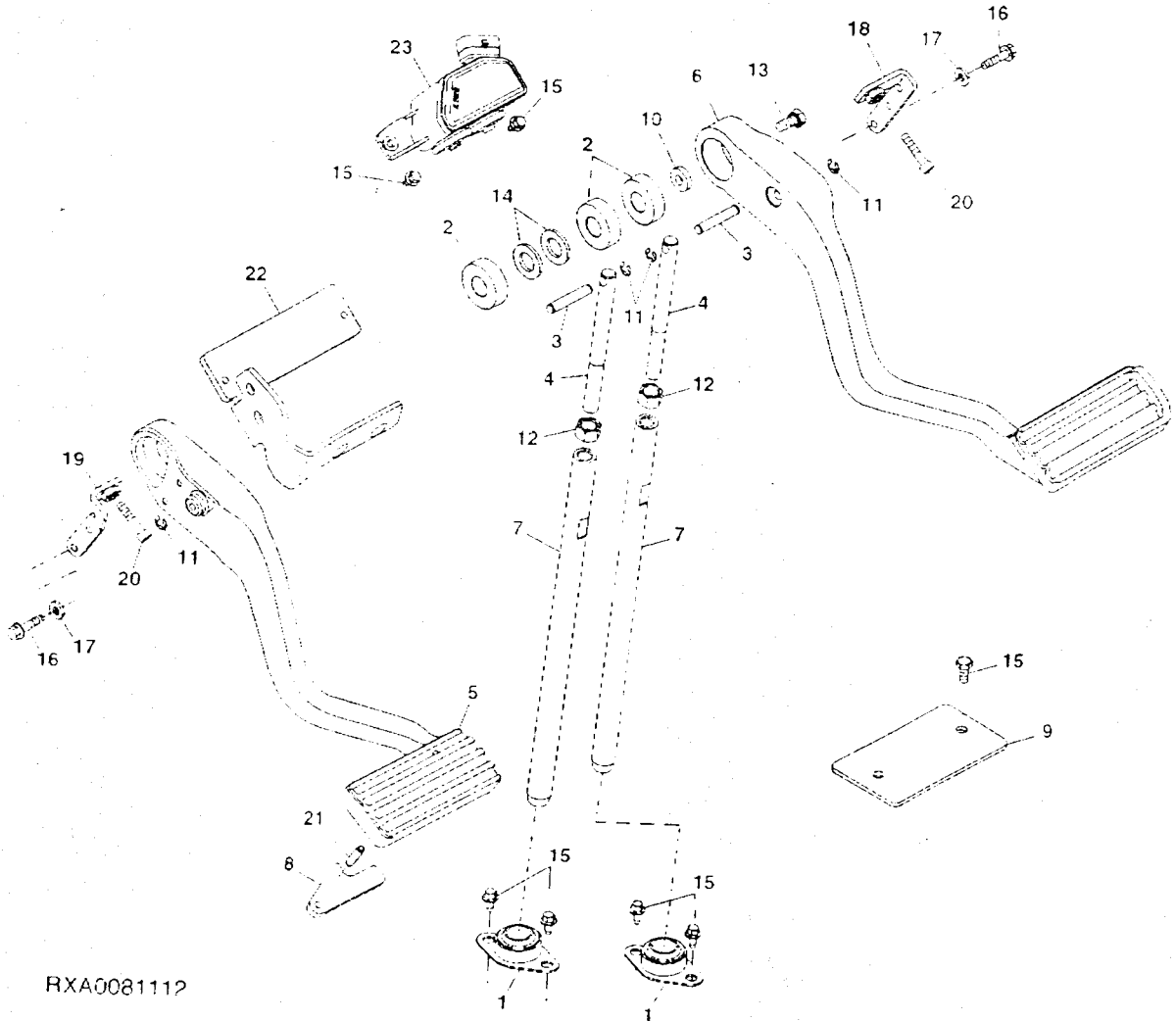
RF032274

KEY	PART NO.	PART NAME	QTY	TRACTOR SERIAL NO.	A L L	REMARKS
1	RE175238	KIT	1		X	
2	R60755	NEEDLE ROLLER	1		X	



BRAKE PEDALS  
PEDALE DE FREIN  
BREMSFUSSHEBEL  
PEDALI FRENO  
PEDAL DE FRENO  
BROMSPEDALER

RXA0081112 -UN-08JUN05



RXA0081112

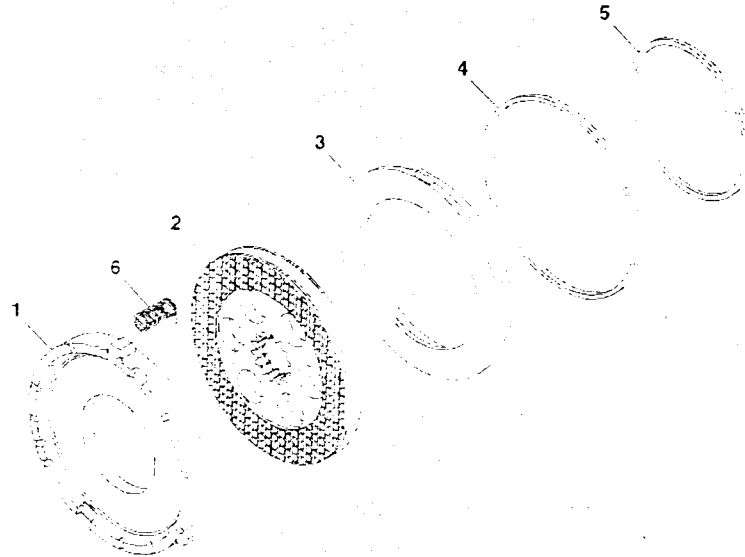
KEY	PART NO.	PART NAME	QTY.	TRACTOR SERIAL NO.	A L L	REMARKS
1	RE65233	BEARING	2		X	
2	JD8535	BALL BEARING	3		X	
3	R53226	PIN	2		X	
4	R126384	STUD	2		X	(IVT)
5	R183967	PEDAL	1		X	(PST)
	R124312	PEDAL	1		X	(IVT)
6	R183966	PEDAL	1		X	(PST)
	R124313	PEDAL	1		X	
7	R125999	ROD	2		X	
8	R50879	ARM	1		X	(SUB R257681)
9	R202920	PLATE	1		X	
10	R56397	WASHER	2		X	
11	R72653	SNAP RING	4		X	
12	14M7275	NUT	2		X	M12
13	19M7932	CAP SCREW	2		X	M8 X 16. HS 10 9
14	24M7053	WASHER	2		X	17 X 30 X 3 M.
15	37M7089	SCREW	8		X	M6 X 12
16	19M7775	SCREW	4		X	
17	24M7139	WASHER	4		X	
18	RE222034	BRACKET	1		X	
19	RE222035	BRACKET	1		X	
20	19M8334	SCREW	1		X	
21	34H312	SPRING PIN	1		X	
22	R220272	BRACKET	1		X	(IVT)
	R194599	BRACKET	1		X	(PST)
23	AL156201	PRESSURE SWITCH	1		X	

# 60-40

STEERING AND BRAKING

**BRAKE DISK**  
**DISQUE DE FREIN**  
**BREMSSCHEIBE**  
**DISCO FRENO**  
**DISCO DEL FRENO**  
**BROMSENHET**

RX40081505 UN-15JUN05



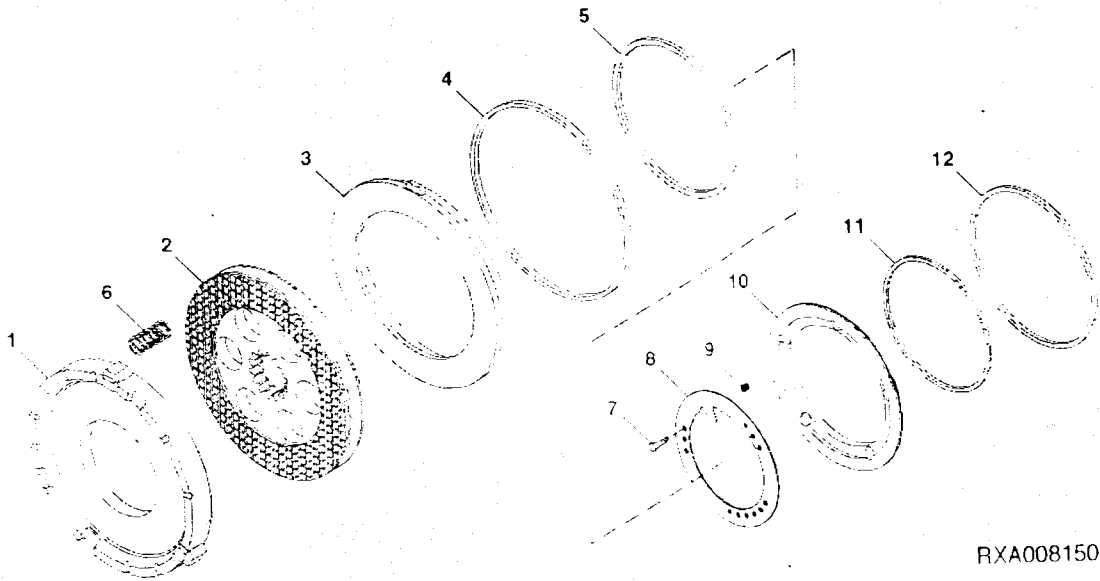
RXA0081505

QTY.	PART NO.	PART NAME	QTY.	TRACTOR SERIAL NO.	A	REMARKS
	R211951	PLATE	2		X	
	R252954	PLATE	2		X	(A) (IVT ILS 50K)
2	RE211947	BRAKE DISK	2		X	
3	R211948	PISTON	2		X	
4	R125667	RING	2		X	
5	R125666	RING	2		X	
6	R48691	SPRING	4		X	(SUB R232883)

A: EUROPEAN VERSION  
 VERSION EUROPEENNE  
 EUROPÄISCHE AUSFÜHRUNG  
 VERSIONE EUROPEA  
 VERSION EUROPEA  
 EUROPEISK VERSION

SECONDARY BRAKE (EUROPEAN VERSION)  
 DISQUE DE FREIN (VERSION EUROPEENNE)  
 BREMSSCHEIBE (EUROPAEISCHE AUSFUEHRUNG)  
 DISCO FRENO (VERSIONE EUROPEA)  
 DISCO DEL FRENO (VERSION EUROPEA)  
 BROMSENHET (EUROPEISK VERSION)

RXA0081506 -UN-02AUG05

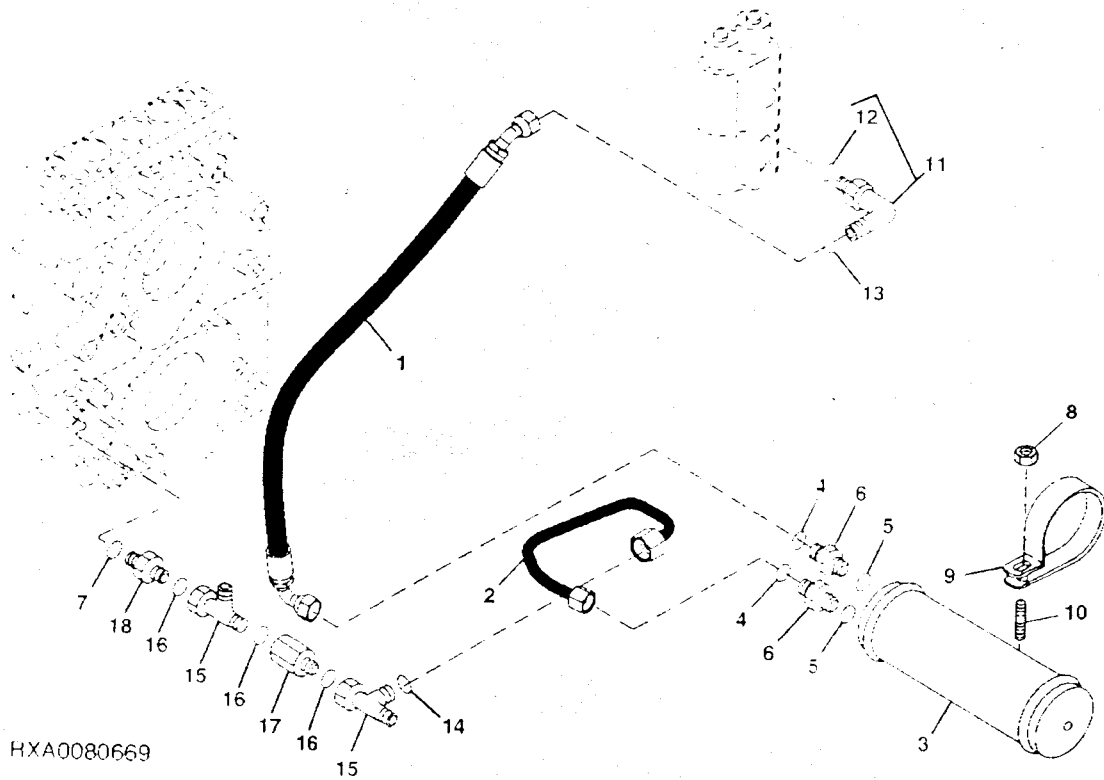


RXA0081506

KEY	PART NO.	PART NAME	QTY.	TRACTOR SERIAL NO.	A L L	REMARKS
1	R211957	PLATE	2		X	
2	RE211947	BRAKE DISK	2		X	
3	R211948	PISTON	2		X	
4	R125667	RING	2		X	
5	R125668	RING	2		X	
6	R48691	SPRING	4		X	
7	R88246	CAP SCREW	6		X	
8	R217035	LOCK PLATE	2		X	
9	R187538	COMPRESSION SPRING	10		X	
10	R217034	PISTON	2		X	
11	R220469	SEAL	2		X	
12	R220470	SEAL	2		X	

**BRAKE VALVE ATTENUATOR**  
**ATTENUATEUR DE DISTRIBUTEUR DE FREIN**  
**BREMSVENTIL-DAEMPFER**  
**ATTENUATORE VALVOLA DEFRENOS**  
**ATENUADOR DE VALVULA DE FRENOS**  
**BROMSVENTILDAEMPAERE**

RXA0080669 UN-05MAY05



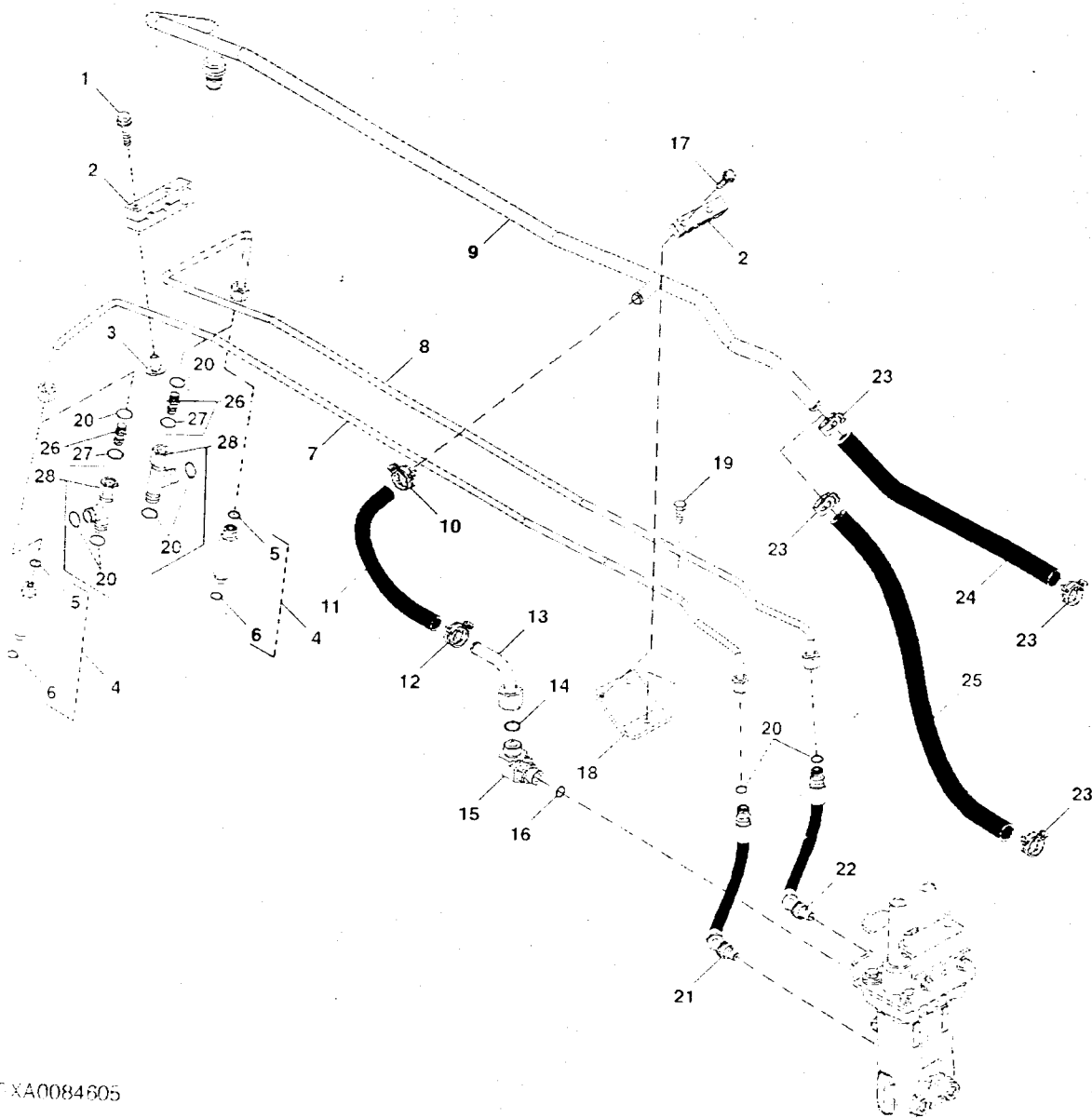
HXA0080669

QTY	PART NO.	PART NAME	QTY	TRACTOR SERIAL NO.	A L L	REMARKS
	RE231519	HYDRAULIC HOSE	1		X	(A)
	RE231522	HYDRAULIC HOSE	1		X	(A)
	AR75693	ATTENUATOR	1		X	
	T77857	O-RING	2		X	
	R26448	O-RING	2		X	
	31H1173	ADAPTER FITTING	2		X	
	51M7047	O-RING	2		X	23.600 X 2.900 MM
	14M7274	NUT	2		X	M10
	R35794	CLAMP	2		X	
	R117158	STUD	2		X	HS 10.9
	38H5017	ELBOW FITTING	1		X	
	51M7043	O-RING	1		X	15.300 X 2.200 MM
	T77857	O-RING	1		X	
	T77932	O-RING	1		X	
	38H5136	TEE FITTING	2		X	
	T77858	O-RING	3		X	
	RE51573	CHECK VALVE	1		X	
	38H5005	ADAPTER FITTING	1		X	

PRESSURE  
 PRESSION  
 CHECK  
 PRESSIONE  
 PRESSION  
 CHECK

BRAKE VALVE LINES  
CONDUITES DE DISTRIBUTEUR DE FREIN  
BREMSVENTILLEITUNG  
TUBAZIONI DELLA VALVOLA DEI FRENI  
LINEAS DE VALVULA DE FRENOS  
BROMSVENTILLEDNINGAR

RX40084605 UN-20OCT05



RXA0084605

# 60-45

STEERING AND BRAKES

KEY	PART NO	PART NAME	QTY.	TRACTOR SERIAL NO.	A L L	REMARKS
1	19M7867	SCREW	2		X	M8 X 25, HS 10.9
2	R221776	HALF CLAMP	2		X	
3	R187365	NUT	2		X	
4	RE215913	FITTING	2		X	
5	T77613	O-RING	2		X	11.300 X 2.200 MM
6	51M7041	O-RING	2		X	
7	RE220174	OIL LINE	1		X	
8	RE243532	OIL LINE	1		X	
9	RE220176	OIL LINE	1		X	
10	R234552	HOSE CLAMP	1		X	
11	R220199	HYDRAULIC HOSE	1		X	
12	R117721	CLAMP	1		X	
13	RE180515	OIL LINE	1		X	
14	T77932	O-RING	1		X	
15	38H5018	ELBOW FITTING	1		X	19.300 X 2.200 MM
16	51M7045	O-RING	1		X	M8 X 30
17	19M7868	SCREW	2		X	
18	R216726	BRACKET	1		X	
19	19M7938	CAP SCREW	1		X	M10 X 20, HS 10.9
20	T77613	O-RING	2		X	
21	RE215910	HYDRAULIC HOSE	1		X	(STC)
22	RE215911	HYDRAULIC HOSE	1		X	(STC)
23	R225971	CLAMP	2		X	
24	R220200	HYDRAULIC HOSE	1	-XXXXXX	X	(IVT)
	R242511	HYDRAULIC HOSE	1	XXXXXX-	X	(IVT)
	R242511	HYDRAULIC HOSE	1		X	(B) (IVT/ILS)(50K)
	R220201	HYDRAULIC HOSE	1		X	(PST)
25	38H5002	ADAPTER FITTING	2		X	(A)
26	51M7041	O-RING	2		X	(A) 11.300 X 2.200 MM
27	51M7041	O-RING	2		X	(A)
28	RE201583	CHECK VALVE	2		X	

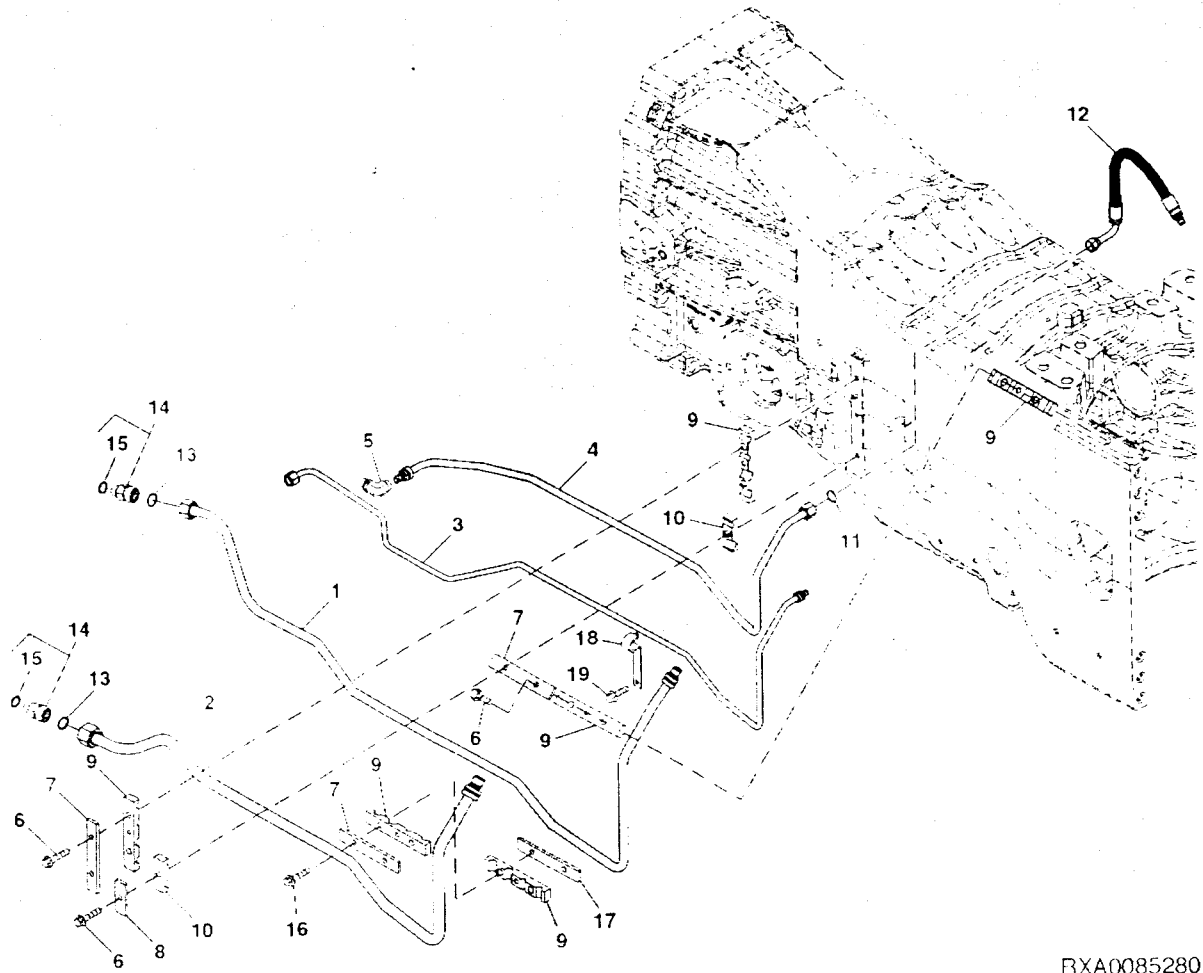
(A) W TRAILER AIR BRAKE  
W RACCORDS DU FREIN A AIR COMPRIE  
W ANFAENGER-LUFTDRUCKBREMSE  
W FRENO PNEUMATICO DEL RIMORCHIO  
W FRENS DE AIRE DEL REMOLQUE  
W SLAEPVAGNSBROMS

(B) EUROPEAN VERSION  
VERSION EUROPEENNE  
EUROPAEISCHE AUSFUEHRUNG  
VERSIONE EUROPEA  
VERSION EUROPEA  
EUROPEISK VERSION



**BRAKE OIL LINES (REAR)**  
**CONDUITES D'HUILE DE FREIN (ARRIERE)**  
**BREMSELEITUNGEN (HINTEN)**  
**TUBAZIONI FRENO (POSTERIORE)**  
**TUBERIAS DE ACEITE DEL FRENO (TRASERO)**  
**BROMSOLJELEDNINGAR (BAK.BAKRE)**

RXA0085280 -UN-13DEC05



RXA0085280

THIS PARTS LISTING IS CONTINUED

KEY	PART NO.	PART NAME	QTY.	TRACTOR SERIAL NO	A L L	REMARKS
1	RE215904	OIL LINE	1	-XXXXXX	X	(A) (SUB RE254623) (STC)
	RE254626	HYDRAULIC HOSE	1	XXXXXX-	X	(A) (STC)
2	RE215905	OIL LINE	1		X	(B) (SUB RE254624) (STC)
3	RE244462	OIL LINE	1	-XXXXXX	X	(C) (SUB RE254368) (STC)
	RE254369	OIL LINE	1	XXXXXX-	X	(C) (STC)
4	RE215885	OIL LINE	1		X	(SUB RE254367)
5	62M1003	ADAPTER FITTING	1		X	
6	19M7805	SCREW	5		X	M10 X 45, HS 10.9
7	R221777	PLATE	3		X	
8	R221778	PLATE	1		X	
9	R221772	HALF CLAMP	6		X	
10	R221774	HALF CLAMP	2		X	
11	77857	O-RING	1		X	
12	RE231522	HYDRAULIC HOSE	1		X	(STC)
13	77858	O-RING	2		X	
14	38H5005	ADAPTER FITTING	2		X	
15	51M7047	O-RING	2		X	23.600 X 2.900 MM
16	19M7805	SCREW	2		X	M10 X 45, HS 10.9
	19M7807	SCREW	2		X	M10 X 60
17	R254628	STRAP	1		X	USE WITH (2) 19M7807) (PST)
18	R254629	BRACKET	1		X	
19	19M7784	SCREW	1		X	M10 X 20, HS 10.9

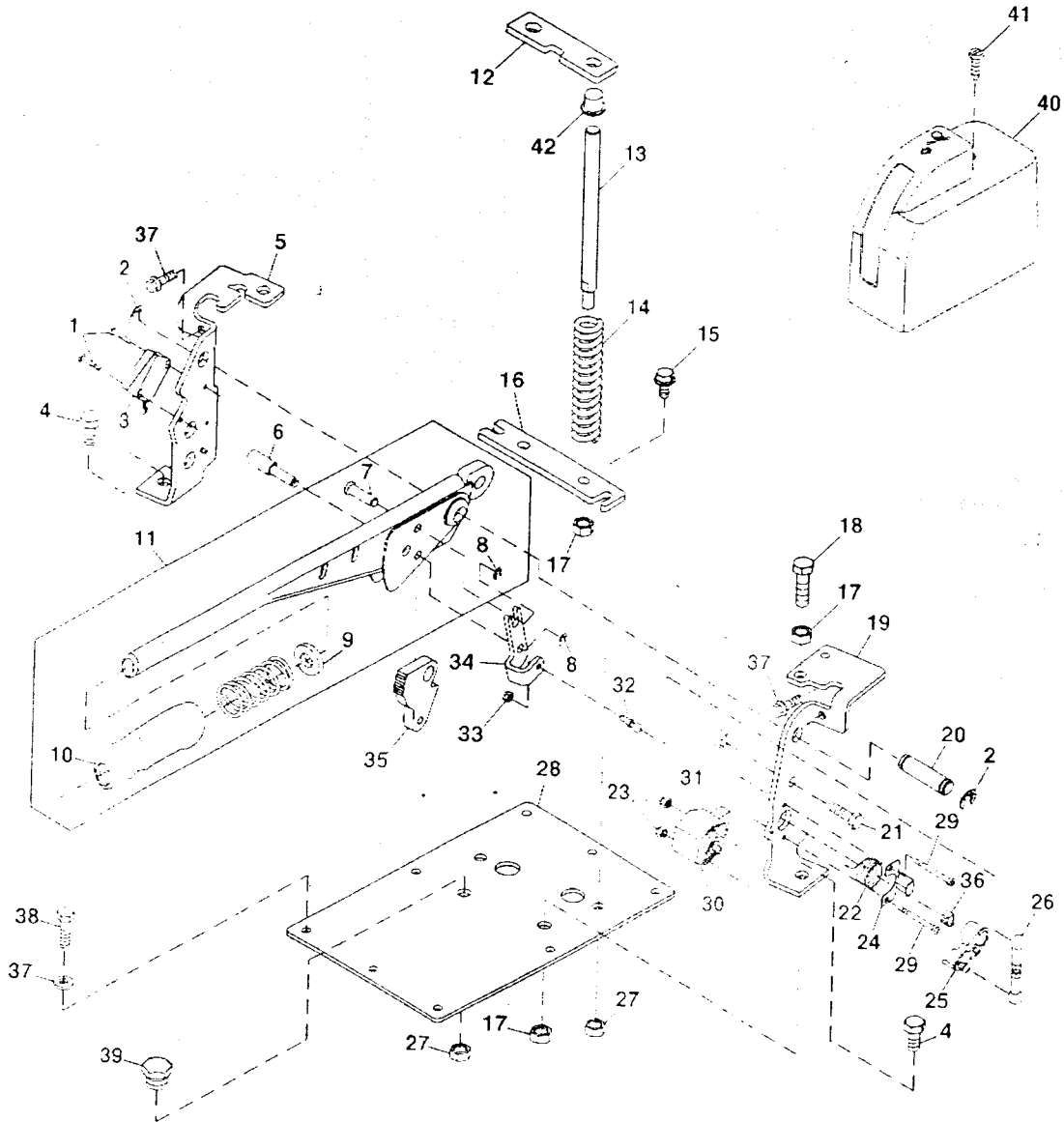
A SUPPLY  
ALIMENTATION  
VORRAT  
FORNITURA  
ABASTECIMIENTO  
MATANG

(B) RETURN  
RETOUR  
RUECKLAUF  
RITORNO  
RETORNO  
RETUR

(C) LOAD SENSE  
DETECCION DE CARGA  
PLOTDRUCK  
ELEMENTO DEL CARICO  
DETECCION DE CARGA  
BELASTUNGSANWAENNING

SECONDARY BRAKE LEVER  
 FREINS A AIR COMPRI ME. LEVIER  
 DRUCKLUFTBREMSE. HEBEL  
 FRENO AD ARIA COMPRESSA. LEVA  
 FRENO NEUMATICO. PALANCA  
 TRYCKLUFTSBROMS. SPAK

RXA0076682 UN-23JAN05



RXA0076682

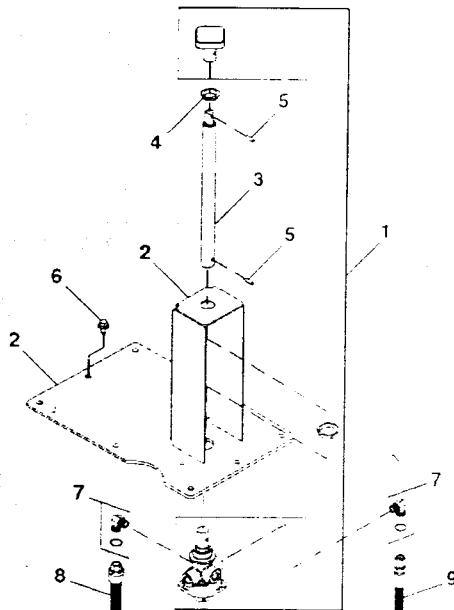
KEY	PART NO.	PART NAME	QTY.	TRACTOR SERIAL NO.	A L L	REMARKS
1	21M7216	SCREW	2		X	M4 X 20
2	40M7030	SNAP RING	2		X	
3	RE48234	SWITCH	1		X	(INCLUDES R78054 AND (3) R78058)
4	19M7166	CAP SCREW	2		X	M10 X 20
5	R197549	BRACKET	1		X	
6	R178430	PIN FASTENER	1		X	
7	R169366	PIN	1		X	
8	40M7041	SNAP RING	2		X	
9	24M7238	WASHER	1		X	8.700 X 17 X 2 MM
10	R133517	GRIP	1		X	
11	RE168915	HANDBRAKE LEVER	1		X	
12	R197551	PLATE	1		X	
13	R191489	STUD	2		X	
14	R181510	COMPRESSION SPRING	2		X	
15	19M7865	SCREW	2		X	M8 X 16
16	R181515	PLATE	1		X	
17	14M7274	NUT	5		X	M10
18	19M7550	CAP SCREW	1		X	M10 X 35
19	R197550	BRACKET	1		X	
20	R124282	PIN FASTENER	1		X	
21	19M7407	CAP SCREW	1		X	M8 X 25
22	R174863	SPRING	1		X	
23	14M7264	LOCK NUT	2		X	M4
24	R194800	BRACKET	1		X	
25	R194768	ARM	1		X	
26	L156822	LINK	1		X	
27	14M7273	NUT	4		X	M8
28	R191439	SUPPORT	1		X	
29	19M9158	SCREW	2		X	M4 X 40
30	AL117898	POTENTIOMETER	1		X	
31	28H3405	BUSHING	1		X	0.364" X 0.540" X 7/16"
32	55M7013	BALL STUD	1		X	
33	14M7265	LOCK NUT	2		X	M5
34	R194801	BRACKET	1		X	
35	R133497	SECTOR	1		X	
36	R161080	CLIP	1		X	
37	37M7089	SCREW	2		X	M6 X 12
38	19M7167	CAP SCREW	2		X	M10 X 25
39	B2982R	PLUG	1		X	
40	R242623	COVER	1		X	
41	37M7257	SCREW	1		X	M8 X 16
42	R197331	BUSHING	2		X	

# 60-50

STEERING AND BRAKE

TRAILER AIR BRAKE CAB CONTROL (NORTH AMERICAN VERSION)  
 COMMANDE DE CABINE DE FREIN A AIR DE REMORQUE (VERSION NORD AMERICAINE)  
 ANHAENGERDRUCKLUFTBREMSSEN-KABINENSTEUERUNG (NORDAMERIKANISCHE AUSFUEHRUNG)  
 COMANDO CABINA DEL FRENO PNEUMATICO DEL RIMORCHIO (VERSIONE NORDAMERICANA)  
 CONTROL DE FRENOS DE AIRE DEL REMOLQUE EN CABINA (VERSION NORTEAMERICANA)  
 HYTTREGLAGE, SLAEPVAGNSLUFTBROMS (NORDAMERIKANSK VERSION)

RXA0084709 -UN-20OCT05



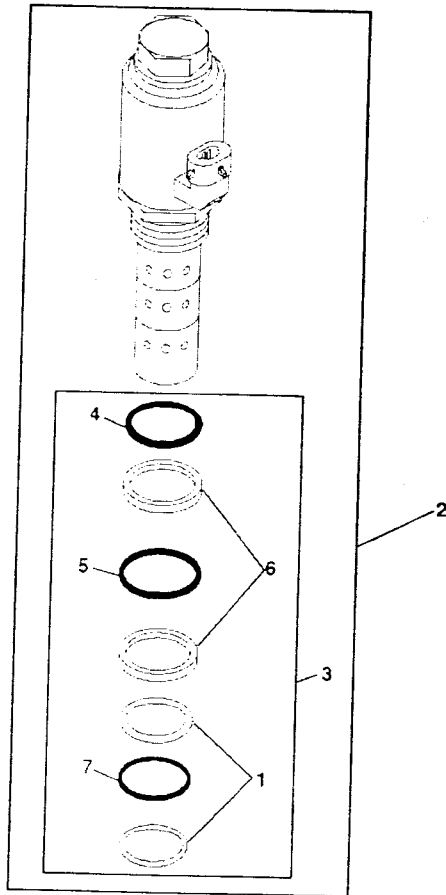
RXA0084709

KEY	PART NO.	PART NAME	QTY.	TRACTOR SERIAL NO.	A L L	REMARKS
*	RE221851	CONTROL VALVE	1		X	
*	RE216055	SUPPORT	1		X	
*	R193708	EXTENSION	1		X	
*	R209446	WASHER	1		X	
*	3-M7095	SPRING PIN	2		X	
*	3-M7089	SCREW	1		X	M6 X 12
*	RE202639	ELBOW FITTING	2		X	
*	RE248880	HYDRAULIC HOSE	1		X	
*	RE241945	HYDRAULIC HOSE	1		X	

MEMORANDA  
MEMORANDA  
MEMORANDA  
MEMORANDA  
MEMORANDA

SECONDARY BRAKE SOLENOID VALVE (EUROPEAN VERSION)  
 ELECTROVANNE DE FREIN AUXILIARE (VERSION EUROPEENNE)  
 HANDBREMSEMAGNETVENTIL (EUROPÄISCHE AUSFÜHRUNG)  
 VALVOLA A SOLENOIDE DE FRENO AUXILIAR (VERSIONE EUROPEA)  
 VALVULA DE SOLENOIDE DE FRENO AUXILIAR (VERSION EUROPEA)  
 HANDBROMSENS MAGNETVENTIL (EUROPEISK VERSION)

RXA0080673 -UN-05MAY05



RXA0080673

# 60-53

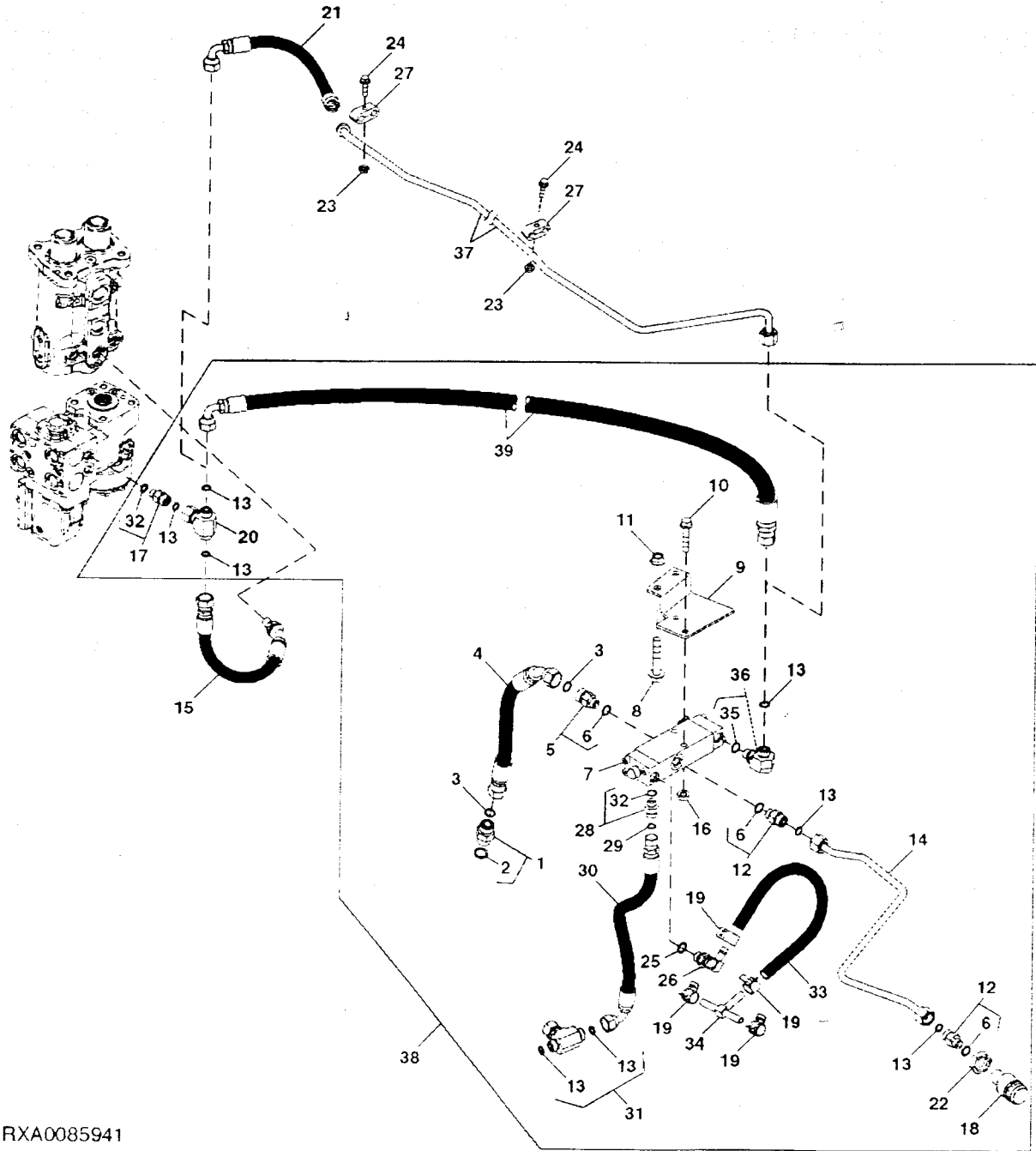
STEERING AND BRAKES

KEY	PART NO.	PART NAME	QTY.	TRACTOR SERIAL NO.	A L L	REMARKS
1	R186865	BACK-UP RING	2		X	
2	RE163491	SOLENOID VALVE	1		X	
3	RE186848	SEAL KIT	1		X	
4	R26906	O-RING	1		X	
5	R27166	O-RING	1		X	
6	R186866	BACK-UP RING	2		X	
7	R33259	O-RING	1		X	



TRAILER BRAKE VALVE (HYDRAULIC)  
SOUPAPE DE FREIN DE REMORQUE (SYSTEMES HYDRAULIQUES)  
ANHAENGERBREMSVENTIL (HYDRAULISCHE ANLAGE)  
VALVOLA DEL FRENO DEL RIMORCHIO (IDRAULICI)  
VALVULA DEL FRENO DEL REMOLQUE (HIDRAULICO)  
SLAEPVAGNSBROMSVENTIL (HYDRAUL)

RXA0085941 -UN-17JAN06



RXA0085941

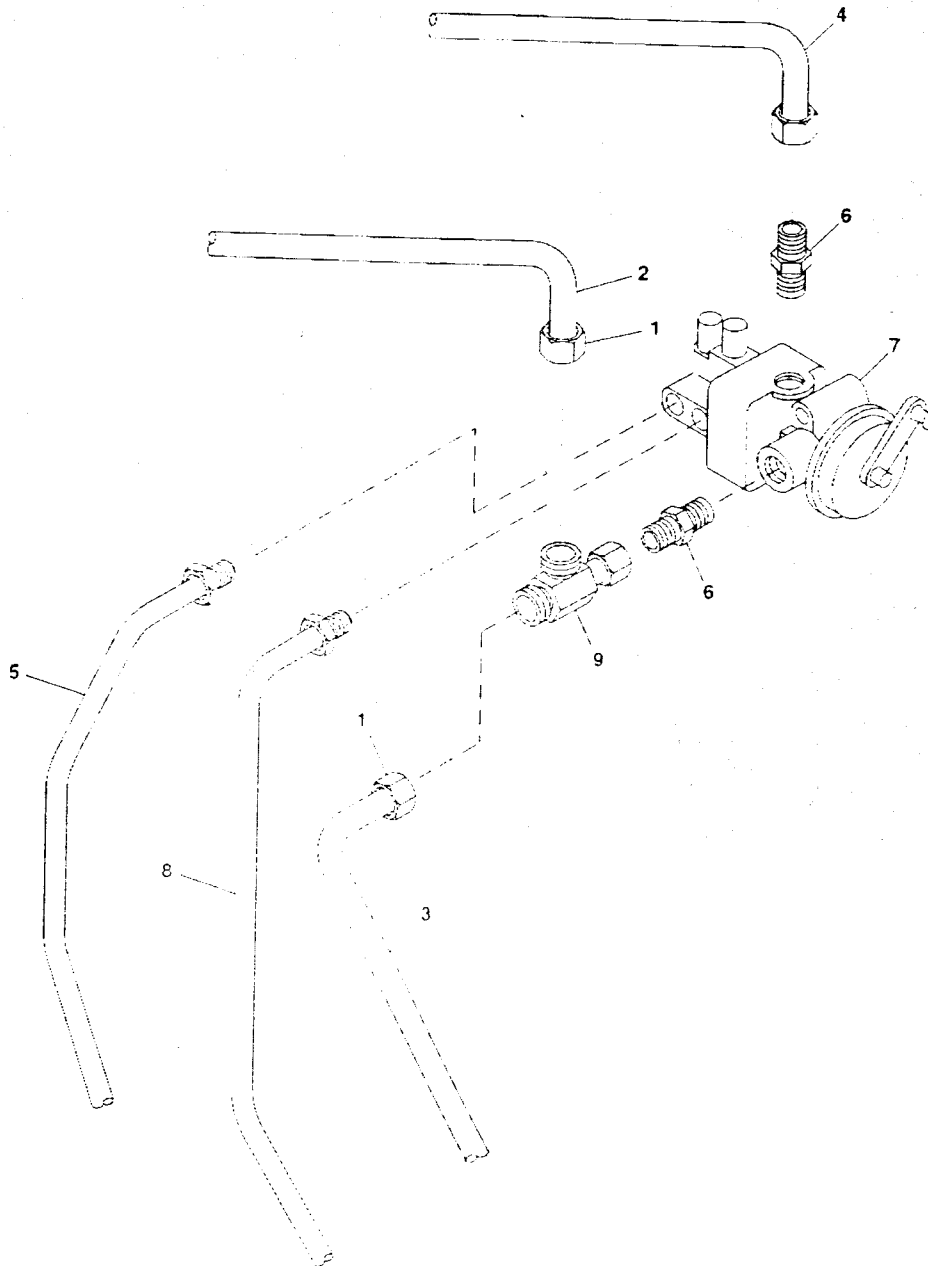
THIS PARTS LISTING IS CONTINUED

KEY	PART NO.	PART NAME	QTY.	TRACTOR SERIAL NO.	A L L	REMARKS
1	38H5003	ADAPTER FITTING	1		X	
2	51M7043	O-RING	1		X	15.300 X 2.200 MM
3	T77857	O-RING	2		X	
4	RE223630	HYDRAULIC HOSE	1		X	
5	38H5009	ADAPTER FITTING	1		X	
6	51M7041	O-RING	4		X	11.300 X 2.200 MM
7	AL150662	HYD ACTUATED CONTROL VALVE	1		X	
8	19M7807	SCREW	2		X	M10 X 60, HS 10.9
9	R219576	BRACKET	1		X	
10	19M8318	SCREW	2		X	M8 X 45, HS 10.9
11	14M7296	FLANGE NUT	2		X	M10
12	38H5002	ADAPTER FITTING	2		X	
13	T77613	O-RING	18		X	
14	RE237160	OIL LINE	1		X	(A)
15	RE250611	HYDRAULIC HOSE	1		X	M8
16	14M7298	FLANGE NUT	2		X	
17	38H5008	ADAPTER FITTING	1		X	
18	AL39859	HYDR. QUICK COUPLER PLUG	1		X	
19	R202160	CLAMP	4		X	
20	38H5144	TEE FITTING	1		X	(A)
21	RE250613	HYDRAULIC HOSE	1		X	M20
22	14M7257	NUT	1		X	M8
23	14M7307	LOCK NUT	2		X	M6 X 25
24	19M7863	SCREW	2		X	
25	51M7041	O-RING	1		X	11.300 X 2.200 MM
26	AL78652	ELBOW FITTING	1		X	
27	R201229	HALF CLAMP	2		X	
28	38H5001	ADAPTER FITTING	1		X	
29	T77814	O-RING	1		X	
30	RE244463	HYDRAULIC HOSE	1		X	
31	RE244514	FITTING	1		X	9.300 X 2.200 MM
32	51M7040	O-RING	2		X	
33	R224046	HYDRAULIC HOSE	1		X	
34	M86863	TEE FITTING	1		X	
35	51M7041	O-RING	1		X	11.300 X 2.200 MM
36	38H5016	ELBOW FITTING	1		X	
37	RE250612	OIL LINE	1		X	(A)
38	RE231703	KIT	1		X	
39	RE254021	HYDRAULIC HOSE	1		X	

(A) FOR TRACTORS WITH AIR BRAKES  
 POUR TRACTEURS AVEC FREINS PNEUMATIQUES  
 FUER TRAKTOREN MIT DRUCKLUFTBREMSEN  
 PER TRATTORI CON FRENI A COMANDO PNEUMATICO  
 PARA TRACTORES CON FRENOS DE AIRE  
 FOER TRAKTORER MED TRYCKLUFTSBROMSAR

AIR BRAKE CONTROL VALVE  
FREINS A AIR COMPRIE.SOUPAPE DE COMMANDE  
DRUCKLUFTBREMSE, STEUERVENTIL  
FRENO AD ARIA COMPRESSA.VALVOLA DI COMANDO  
FRENO NEUMATICO, VALVULA DE CONTROL  
TRYCKLUFTSBROMS, MANOEVERTENTIL

FXA1080672 -UN-06MAY05



FXA1080672

# 60-57

STEERING AND BRAKES

KEY	PART NO.	PART NAME	QTY.	TRACTOR SERIAL NO.	A L L	REMARKS
1	38H5079	TUBE NUT	2		X	
2	RE241944	OIL LINE	1		X	
3	RE245203	OIL LINE	1		X	
4	RE241947	OIL LINE	1		X	
	RE241946	OIL LINE	1		X (A)	
5	RE244603	BRAKE LINE	1		X	(SUB RE248879)
6	RE202688	FITTING	2		X	
7	AL81937	SELECTIVE CONTROL VALVE	1		X	
8	RE244601	BRAKE LINE	1		X	(SUB RE248878)
9	38H5105	TEE FITTING	1		X	

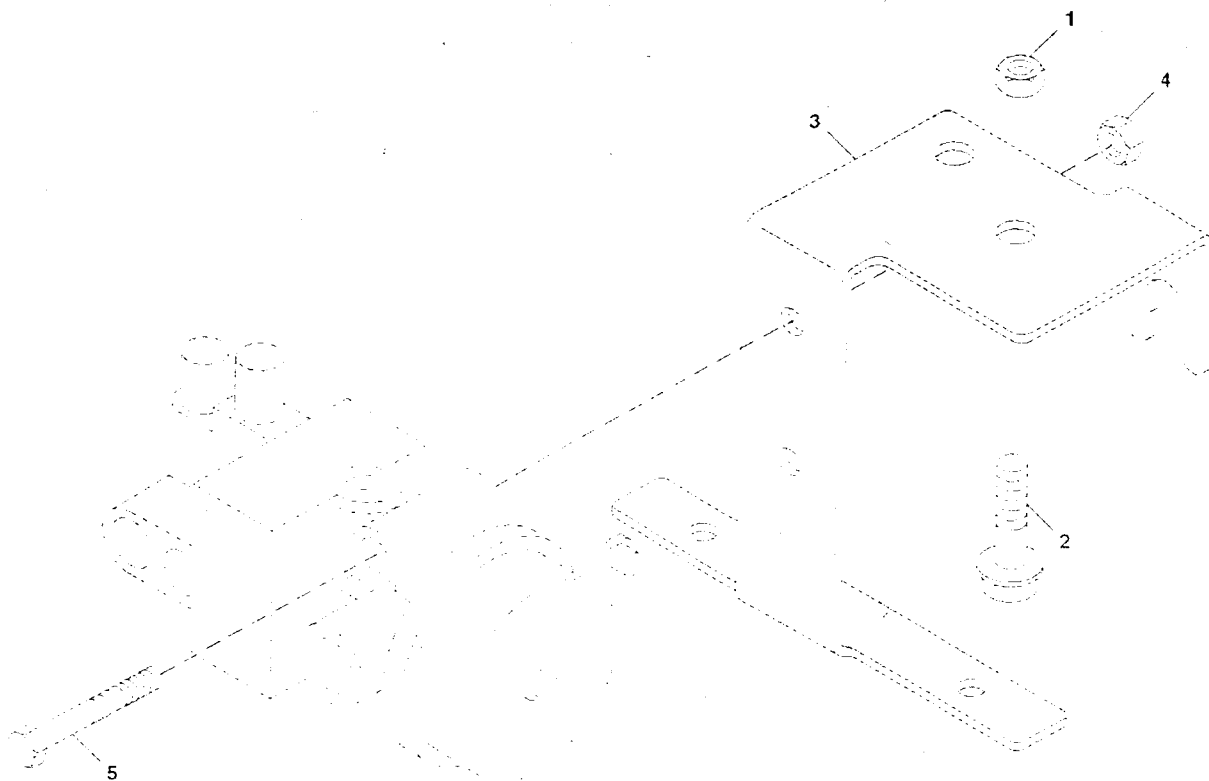
A: EUROPEAN VERSION  
 VERSION EUROPEENNE  
 EUROPÄISCHE AUSFUEHRUNG  
 VERSIONE EUROPEA  
 VERSION EUROPEA  
 EUROPEISK VERSION

# 60-58

STEERING AND BRAKING

AIR BRAKE CONTROL VALVE BRACKET  
AIR COMPRIIME. SUPPORT DE SOUPAPE DE COMMANDE  
DRUCKLUFTBREMSE, STEUERVERTILHALTERUNGEN  
FRENO AD ARIA COMPRESSA, STAFFE DELLA VALVOLA DI COM.  
FRENO NEUMATICO, SOPORTE DE VALVULA DE CONTROL  
TRYCKLUFTSBROMS, MANOEVERVENTILFAESTE

RXA0084461 -UN-05OCT05

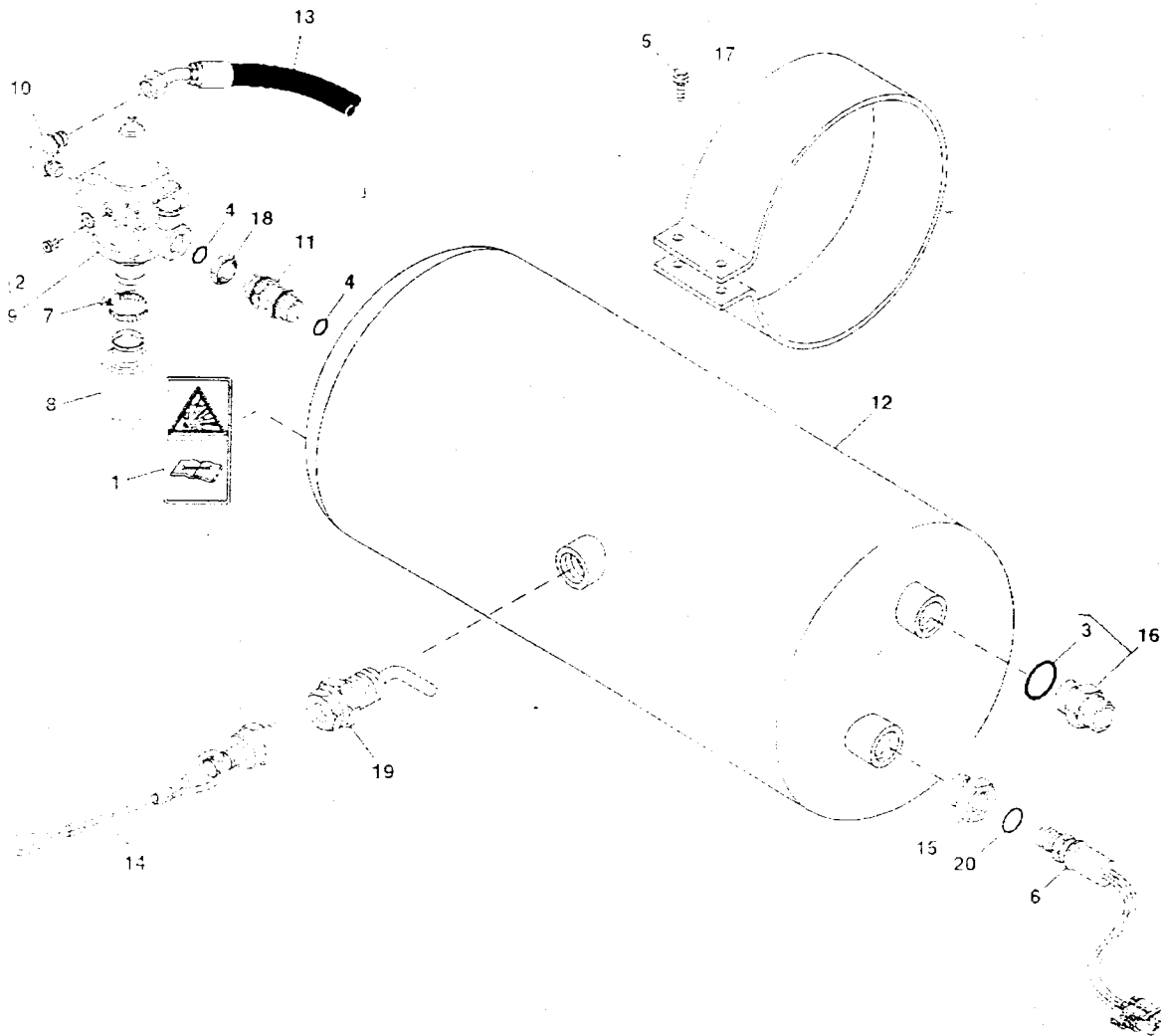


RXA0084461

KEY	PART NO.	PART NAME	QTY.	TRACTOR SERIAL NO.	A L L	REMARKS
1	14M7296	FLANGE NUT	2		X	M10
2	19M7807	SCREW	2		X	M10 X 60
3	R245390	BRACKET	1		X	
4	14M7298	FLANGE NUT	2		X	M8
5	19M7274	CAP SCREW	2		X	M8 X 70

**AIR BRAKE AIR TANK**  
**FREINS A AIR COMPRIE RESERVOIR**  
**DRUCK\_LUFTBREMSE.LUFTBEHAELTER**  
**FRENC AD ARIA COMPRESSA, SERBATOIO DELL'ARIA**  
**FRENC NEUMATICO.DEPOSITO DE AIRE**  
**TRYCK\_LUFTSBROMS. LUFTBEHAALLARE**

RXA0078672      UNR-17JUN05



RXA0078672

THIS PARTS LISTING IS CONTINUED

## 60-61

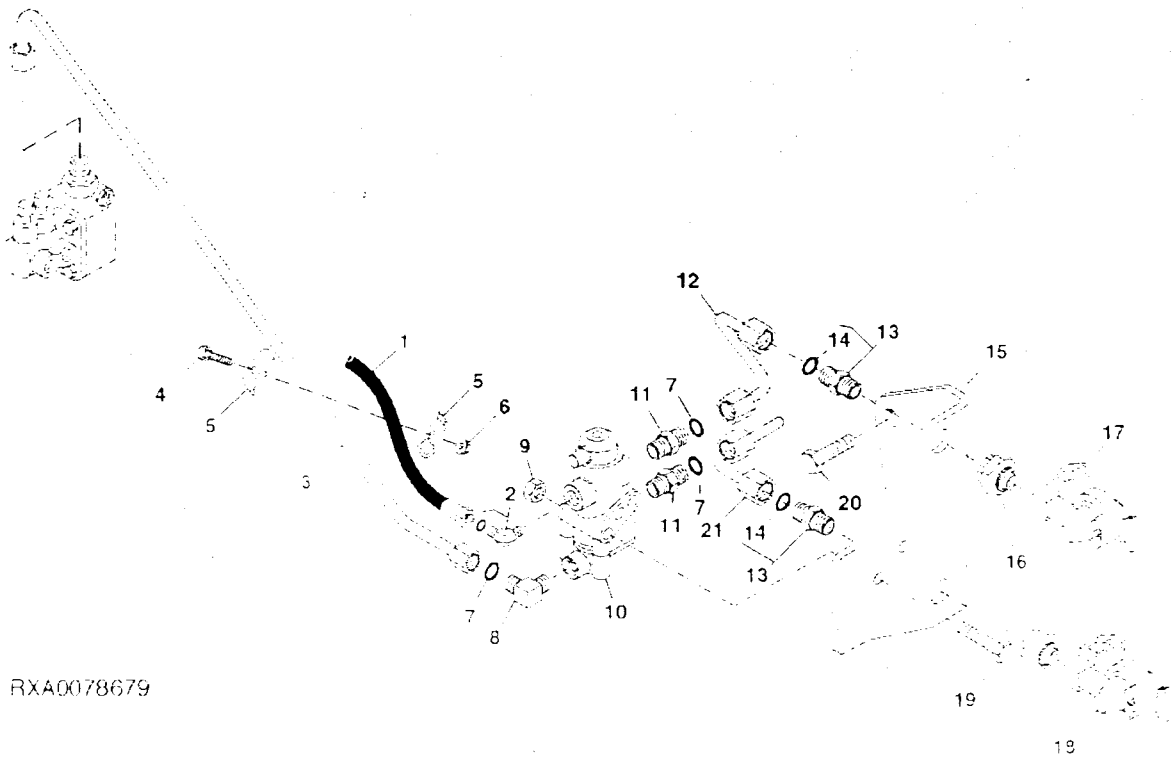
STEERING AND BRAKES

KEY	PART NO.	PART NAME	QTY.	TRACTOR SERIAL NO.	A L L	REMARKS
1	L65043	LABEL	2		X	
2	RE159805	PLUG	1		X	
3	T77613	O-RING	1		X	
4	51M7111	O-RING	2		X	20.300 X 2.400 MM
5	19M7806	SCREW	2		X	M10 X 50. HS 10.9
6	RE212869	PRESSURE SWITCH	1		X	
7	TY22467	CLAMP	1		X	
8	AL111719	ABSORBER	1		X	
9	RE159802	CONTROL VALVE	1		X	
10	RE175504	ELBOW FITTING	1		X	
11	RE243350	UNION FITTING	1		X	
12	RE236296	RESERVOIR	1		X	
13	RE243660	HYDRAULIC HOSE	1		X	
14	RE224017	DRAIN VALVE	1		X	
15	RE150663	FITTING	1		X	
16	RE202612	ADAPTER FITTING	1		X	
17	R227813	CLAMP	1		X	
18	14M7493	NUT	1		X	M22
19	RE224745	FITTING	1		X	HS 10.9



AIR BRAKE COUPLERS (NORTH AMERICAN VERSION)  
FREINS A AIR COMPRIME. RACCORDS (VERSION NORD AMERICAINE)  
DRUCKLUFTBREMSE, KUPPLUNGEN (NORDAMERIKANISCHE AUSFUEHRUNG)  
FRENO AD ARIA COMPRESSA, RACCORDI (VERSIONE NORDAMERICANA)  
FRENO NEUMATICO, ACOPLADORES (VERSION NORTEAMERICANA)  
TRYCKLUFTSBROMS, KOPPLINGAR (NORDAMERIKANSK VERSION)

RXA0078679 -UN-24JUN05



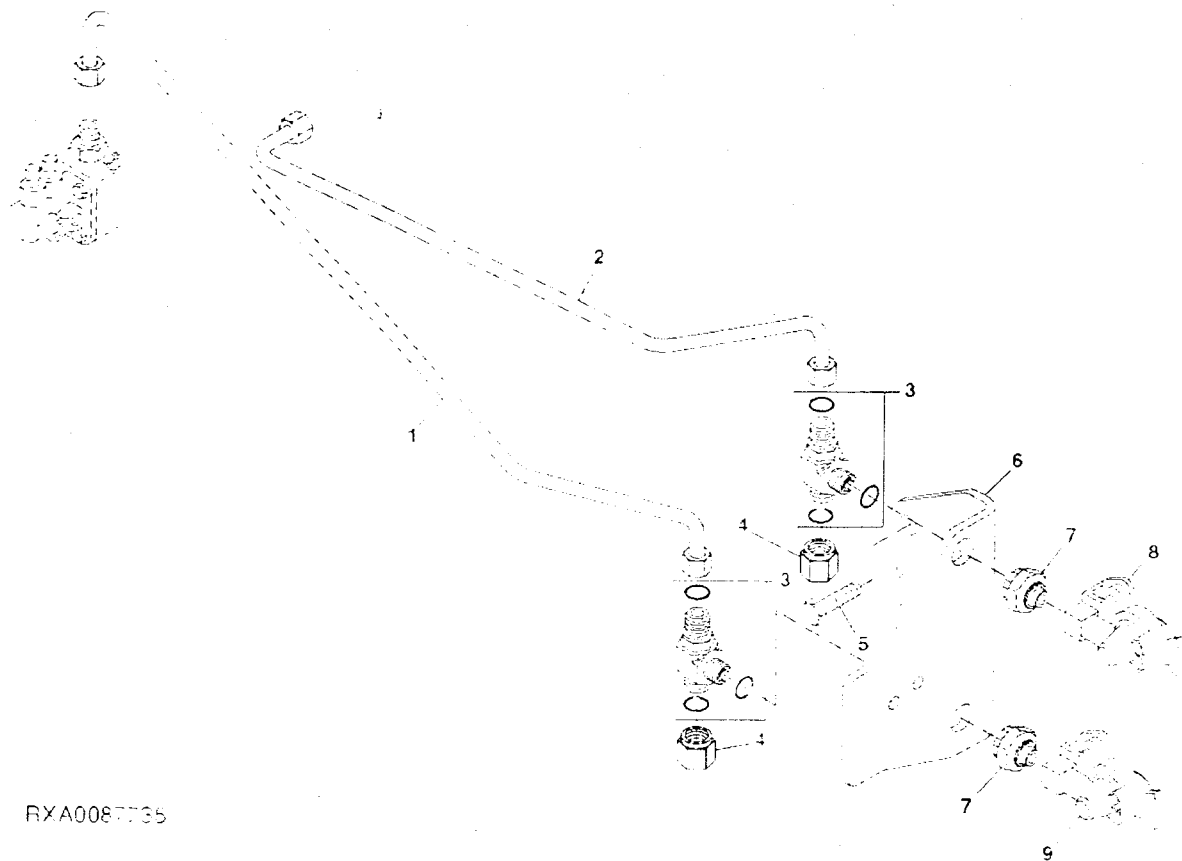
RXA0078679

THIS PARTS LISTING IS CONTINUED

KEY	PART NO	PART NAME	QTY	TRACTOR SERIAL NO.	A L L	REMARKS
1	RE241945	HYDRAULIC HOSE	1		X	
2	61H1579	ELBOW FITTING	1		X	
3	RE241947	OIL LINE	1		X	
4	19M7796	SCREW	1		X	M5 X 30
	R216044	HALF CLAMP	2		X	
	14M7303	FLANGE NUT	1		X	M6
	77613	O-RING	3		X	
	R87907	ELBOW FITTING	1		X	
	14M7273	NUT	2		X	M8
10	RE192537	CONTROL VALVE	1		X	
11	T81030	ADAPTER FITTING	2		X	
12	RE244490	OIL LINE	1		X	
13	38H5037	ADAPTER FITTING	2		X	
14	77613	O-RING	2		X	
15	R241941	BRACKET	1		X	
16	RE244488	FITTING	2		X	
17	RE192543	BREAKAWAY COUPLER	1		X	
18	RE192544	BREAKAWAY COUPLER	1		X	
19	19M7803	SCREW	2		X	M5 X 70
20	19M7783	SCREW	2		X	M10 X 16 HS 10.9
21	RE244491	OIL LINE	1		X	

AIR BRAKE COUPLERS (EUROPEAN VERSION)  
FREINS A AIR COMPRIME RACCORDS (VERSION EUROPEENNE)  
DRUCKLUFTBREMSE KUPPLUNGEN (EUROPAEISCHE AUSFUEHRUNG)  
FRENO AD ARIA COMPRESSA RACCORDI (VERSIONE EUROPEA)  
FRENO NEUMATICO ACOPLADORES (VERSION EUROPEA)  
TRYCKLUFTSBROMS KOPPLINGAR (EUROPEISK VERSION)

RXA0087735 -UN 15 MAR 65



RXA0087735

THIS PARTS LISTING IS CONTINUED

# 60-65

## STEERING AND BRAKES

KEY	PART NO.	PART NAME	QTY.	TRACTOR SERIAL NO.	A L L	REMARKS
1	RE241946	OIL LINE	1		X	
2	RE241944	OIL LINE	1		X	
3	61M5061	TEE FITTING	2		X	
4	RE68259	CAP	2		X	
5	19M7783	SCREW	2		X	M10 X 16, HS 10.9
6	R241941	BRACKET	1		X	
7	RE244485	FITTING	2		X	
8	AL68571	HITCH COUPLING	1		X (A)	
9	AL68572	HITCH COUPLING	1		X (B)	

(A) RED  
ROUGE  
ROT  
ROSSO  
ROJO  
ROED

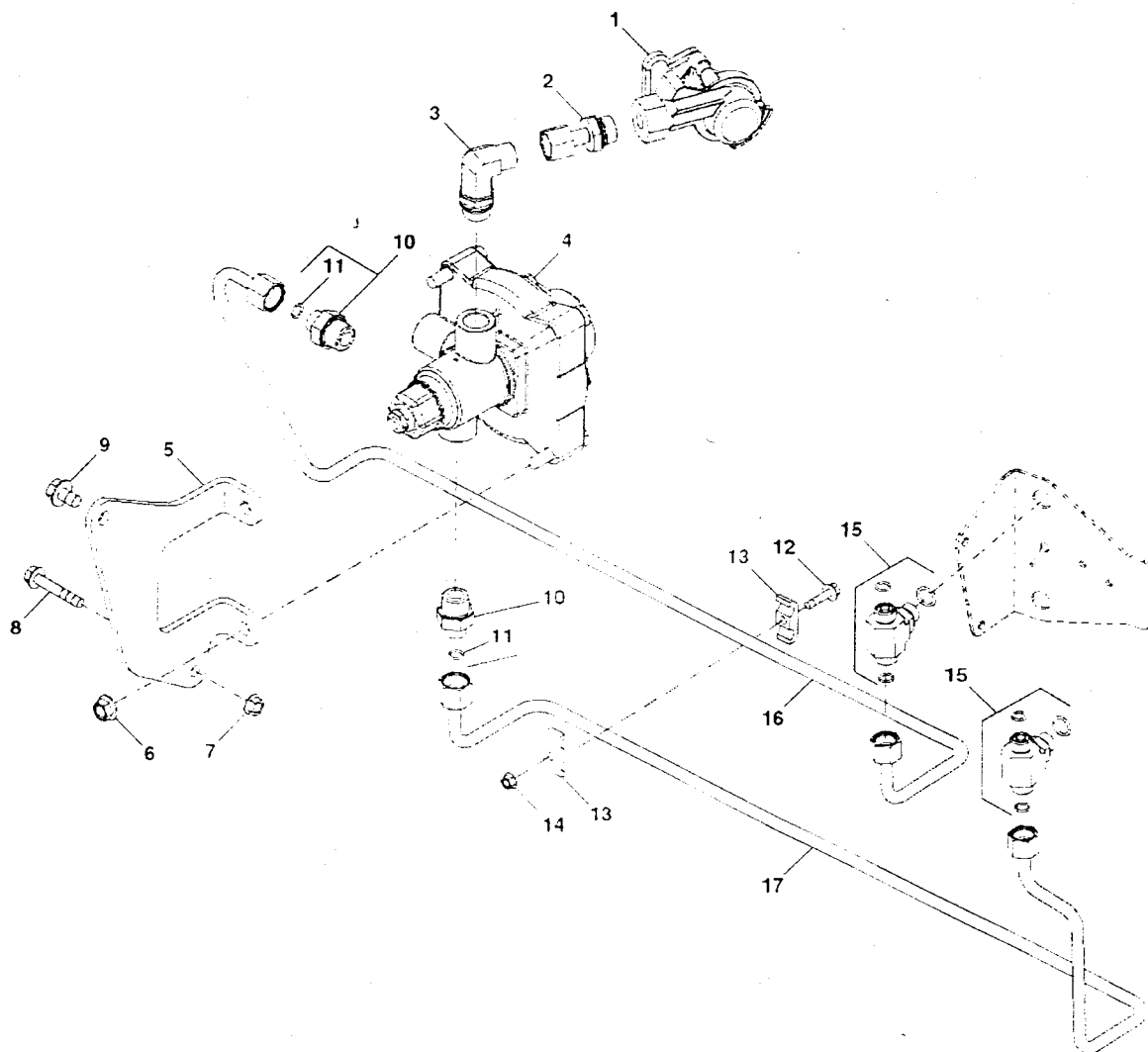
(B) YELLOW  
JAUNE  
GELB  
GIALLO  
AMARILLO  
GUL

# 60-66

STEERING AND BRAKES

SINGLE LINE BRAKE VALVE KIT  
KIT DE DISTRIBUTEUR DE FREIN A CONDUITE UNIQUE  
EINZELLEITUNGSBREMSVENTILSATZ  
KIT VALVOLE DEI FRENI A MANDATA SINGOLA  
JUEGO DE VALVULA DE FRENO DE LINEA SENCILLA  
BROMSVENTILSATZ FOER EN LEDNING

RXA0088168 -UN-11APR06



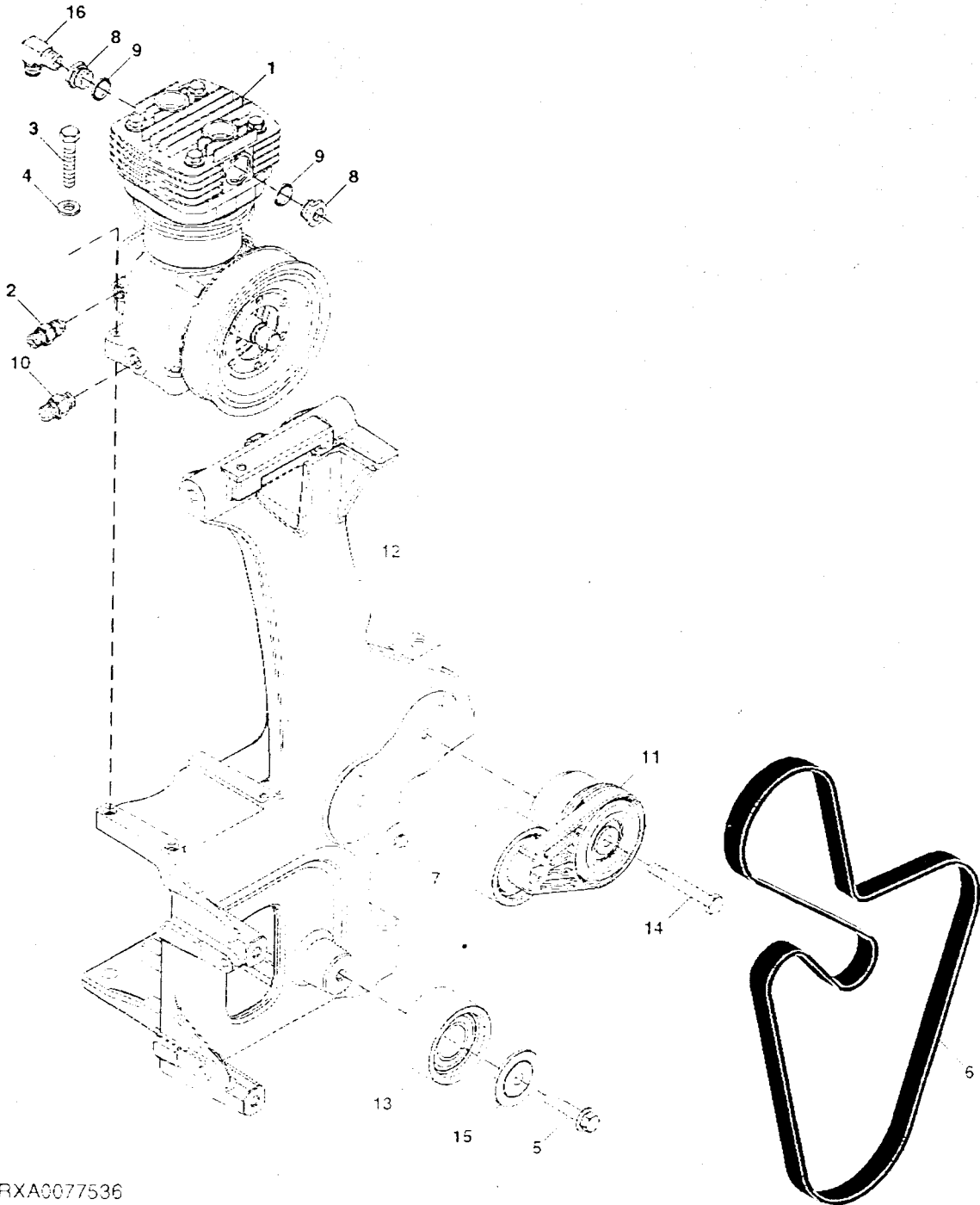
RXA0088168

KEY	PART NO.	PART NAME	QTY.	TRACTOR SERIAL NO.	A L L	REMARKS
1	AL68573	HITCH COUPLING	1		X	
2	RE243412	UNION FITTING	1		X	
3	RE243410	ELBOW FITTING	1		X	
4	AL68577	PNEUMATIC CONTROL VALVE	1		X	
5	R244495	BRACKET	1		X	M10
6	14M7296	FLANGE NUT	2		X	M8
7	14M7298	FLANGE NUT	1		X	M8 X 55, HS 10.9
8	19M7979	SCREW	1		X	M10 X 16, HS 10.9
9	19M7783	SCREW	1		X	
10	RE202612	ADAPTER FITTING	2		X	
11	T77613	O-RING	2		X	
12	19M7863	SCREW	1		X	M6 X 25
13	R201229	HALF CLAMP	2		X	
14	14M7303	FLANGE NUT	1		X	M6
15	61M5061	TEE FITTING	2		X	
16	RE241942	OIL LINE	1		X	
17	RE241943	OIL LINE	1		X	
...	AR223585	FIELD INSTALLATION KIT	1		X (A)	

(A) EUROPEAN VERSION  
 VERSION EUROPEENNE  
 EUROPÄISCHE AUSFÜHRUNG  
 VERSIONE EUROPEA  
 VERSION EUROPEA  
 EUROPEISK VERSION

AIR BRAKE AIR COMPRESSOR  
 FREINS A AIR COMPRIME, COMPRESSEUR  
 DRUCKLUFTBREMSE, KOMPRESSOR  
 FRENO AD ARIA COMPRESSA, COMPRESSORE  
 FRENO NEUMATICO, COMPRESOR DE AIRE  
 TRYCKLUFTSBROMS, KOMPRESSOR

RXA0077536 UN-05MAY05



RXA0077536

THIS PARTS LISTING IS CONTINUED

# 60-69

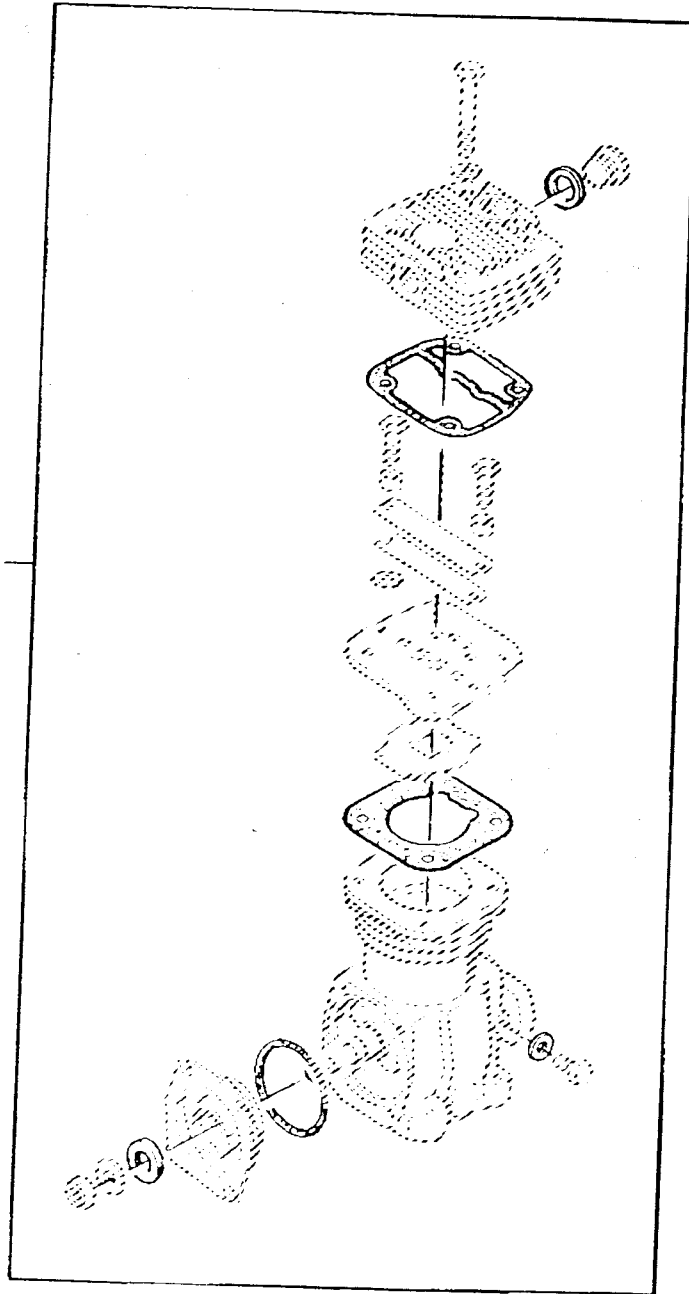
STEERING AND BRAKES

QTY	PART NO.	PART NAME	QTY	TRACTOR SERIAL NO.	A L L	REMARKS
1	RE189197	COMPRESSOR	1		X	
1	RE54603	FITTING	1		X	
3	19M8300	SCREW	3		X	M8 X 40
3	24M7336	WASHER	3		X	9 X 16 X 1.600 MM
1	19M7785	SCREW	1		X	M10 X 25. HS 10.9
1	R210808	V-BELT	1		X	
2	34M7189	SPRING PIN	2		X	
2	R117153	ADAPTER FITTING	2		X	
2	R117307	RING	2		X	
1	RE58382	ADAPTER FITTING	1		X	
1	RE243199	BELT TENSIONER	1		X	(INCLUDES RE232483, R242392 AND 19M7785)
1	R242396	SUPPORT	1		X	
1	RE232483	PULLEY	1		X	
1	19M7810	SCREW	1		X	M10 X 80. HS 10.9
1	R242392	DUST SHIELD	1		X	
1	R194262	ELBOW FITTING	1		X	



AIR COMPRESSOR GASKIT KIT (AIR BRAKE)  
KIT DE JOINT D-ETANCHEITE POUR COMPRESSEUR D'AIR (FREINS A AIR COMPRIME)  
LUFTKOMPRESSOR-DICHTUNGSSATZ (DRUCKLUFTBREMS)  
KIT GUARNIZIONI DEL COMPRESSORE DELL'ARIA (FRENO AD ARIA COMPRESSA)  
JUEGO DE EMPAQUETADURAS PARA COMPRESOR DE AIRE (FRENO NEUMATICO)  
PACKNINGSSATA FOER LUFTKIMPRESSOR (TRYCKLUFTSBROMS)

LX016556 -UN-24JUL97



LX016556

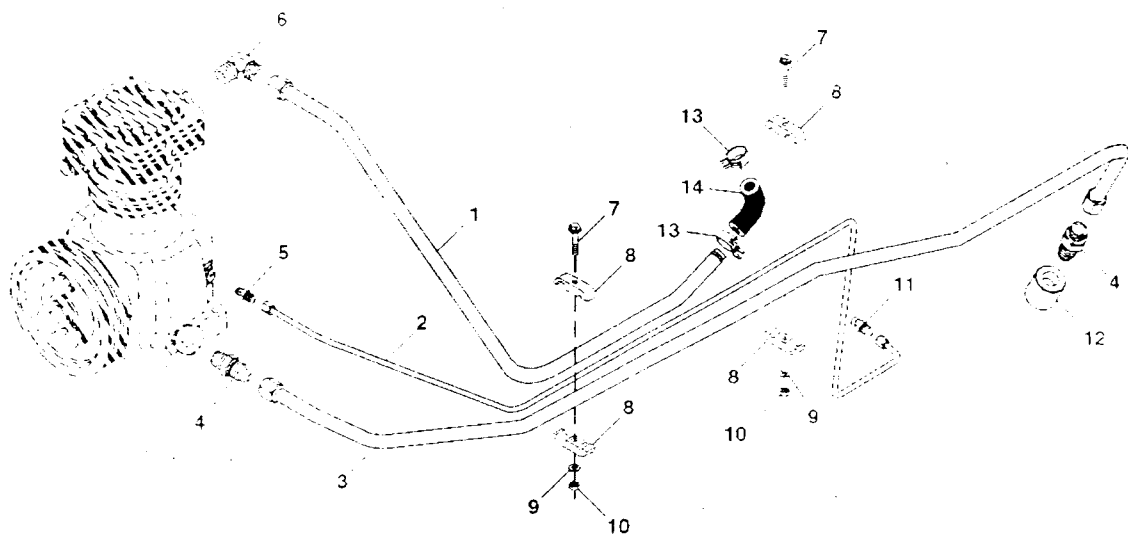
# 60-71

STEERING AND BRAKES

KEY	PART NO	PART NAME	QTY	TRACTOR SERIAL NO	A L L	REMARKS
1	AL113954	GASKET KIT	1		X	

AIR BRAKE LINES (FRONT)  
 CONDUITE DE FREIN A AIR COMPRIE (AVANT)  
 DRUCKLUFTBREMSLEITUNG (VORN)  
 LINEA DEL FRENO AD ARIA COMPRESSA (ANTERIORE)  
 LINEA DE FRENOS NEUMATICOS (FRENTE)  
 TRYCKLUFTSBROMSLEDNING (FRAM)

RXA0080671 UN-05MAY05



RXA0080671

THIS PARTS LISTING IS CONTINUED

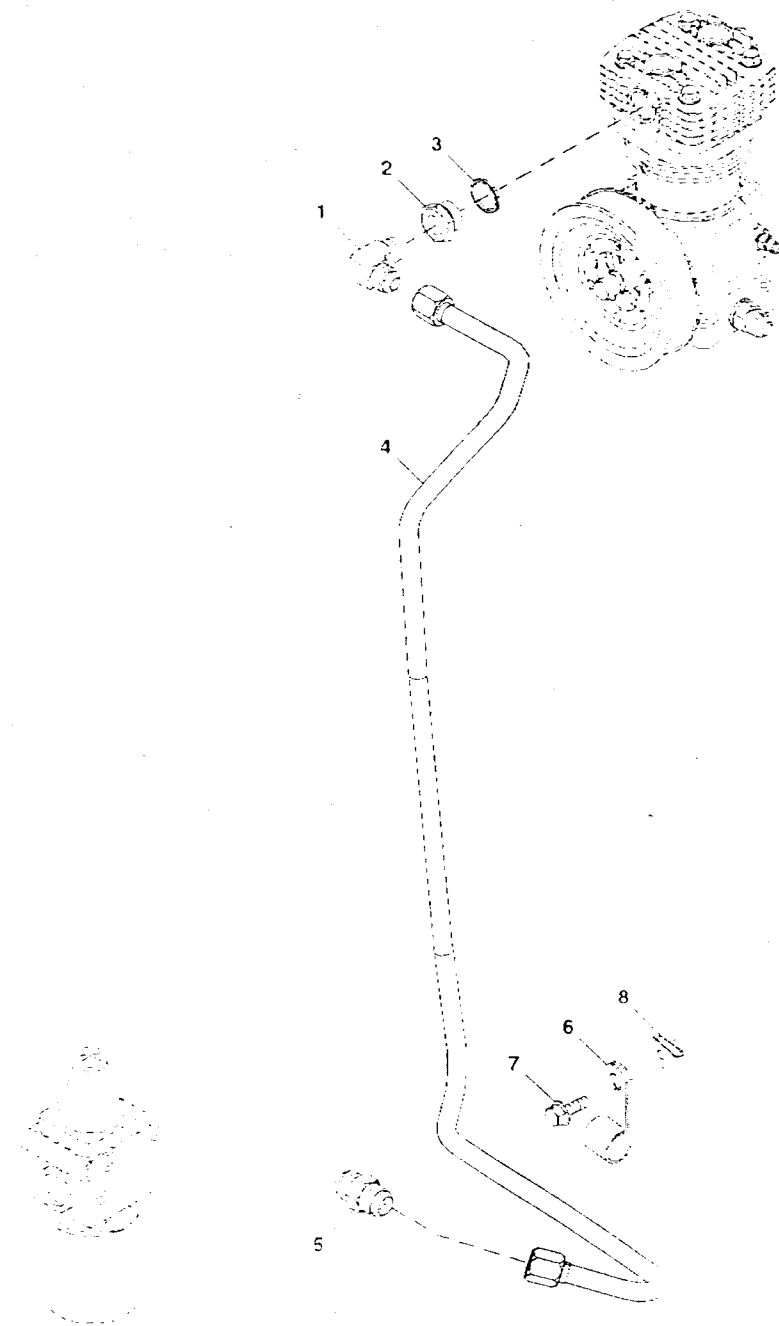
# 60-73

## STEERING AND BRAKES

KEY	PART NO.	PART NAME	QTY.	TRACTOR SERIAL NO.	A L L	REMARKS
1	RE241923	OIL LINE	1		X	
2	RE221625	OIL LINE	1		X	
3	RE221624	OIL LINE	1		X	
4	RE58382	ADAPTER FITTING	2		X	
5	RE54603	FITTING	1		X	
6	R194252	ELBOW FITTING	1		X	
7	19M7833	SCREW	2		X	M6 X 35
8	R122318	CLAMP	4		X	
9	24M7088	WASHER	2		X	6.600 X 12 X 1.600 MM
10	M84872	NUT	2		X	
11	R35352	FITTING	1		X	
12	R121935	ADAPTER FITTING	1		X	
13	R117727	CLAMP	2		X	
14	.....	HOSE	1		X	(55MM) MAKE FROM TY223231

AIR BRAKE LINE (REAR)  
CONDUITE DE FREIN A AIR COMPRIME (ARRIERE)  
DRUCKLUFTBREMSLEITUNG (HINTEN)  
LINEA DEL FRENO AD ARIA COMPRESSA (POSTERIORE)  
LINEA DE FRENOS NEUMATICOS (TRASERO)  
TRYCKLUFTSBROMSLEDNING (BAK)

RXA0086441 UN-14FEB06



RXA0086441

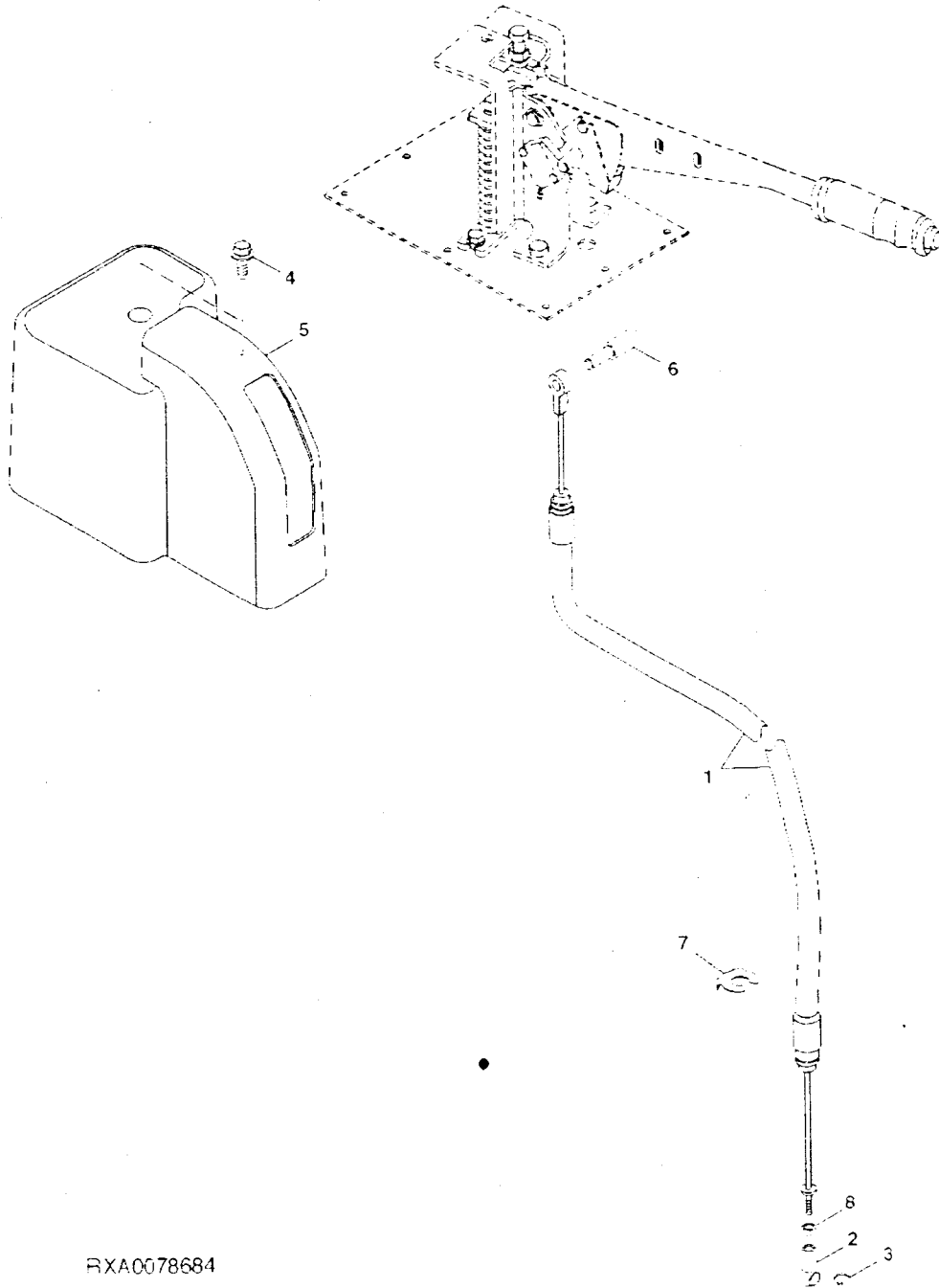
# 60-75

STEERING AND BRAKE

KEY	PART NO.	PART NAME	QTY.	TRACTOR SERIAL NO.	A - L	REMARKS
1	R194262	ELBOW FITTING	1		X	
2	R117153	ADAPTER FITTING	1		X	
3	R117307	RING	1		X	
4	RE221623	LINE	1		X	
5	R35717	FITTING	1		X	
6	R51892	CLAMP	1		X	
7	9M7775	SCREW	1		X	M6 X 16
8	184972	NUT	1		X	

AIR BRAKE CABLE  
CABLE DE FREIN A AIR COMPRIME  
DRUCKLUFTBREMSKABEL  
CAVO DEL FRENO AD ARIA COMPRESSA  
CABLE DE FRENOS NEUMATICOS  
TRYCKLUFTSBROMSKABEL

RXA0078684 JUN05



RXA0078684

## 60-77

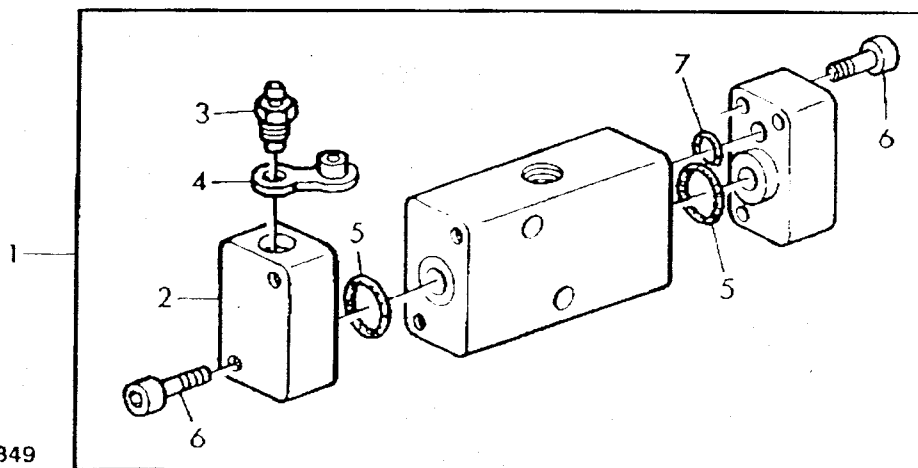
STEERING AND BRAKES

KEY	PART NO.	PART NAME	QTY.	TRACTOR SERIAL NO.	A	REMARKS
					L	
1	RE221820	PUSH PULL CABLE	1		X	
2	56M7006	BALL JOINT SOCKET	1		X	
3	56M7007	BALL JOINT RETAINER	1		X	
4	37M7257	SCREW	1		X	M8 X 16
5	R242623	COVER	1		X	
6	R178430	PIN FASTENER	1		X	
7	R112612	CLIP	1		X	
8	14M7272	NUT	1		X	M6



TRAILER BRAKE VALVE  
 SOUPAPE DE FREIN DE REMORQUE  
 ANHÄNGERBREMSVENTIL  
 VALVOLA DEL FRENO DEL RIMORCHIO  
 VALVULA DEL FRENO DEL REMOLQUE  
 SLÆPVGANSBROMSVENTIL

LX02849 -UN-19APR96



LX012849

KEY	PART NO.	PART NAME	QTY	TRACTOR SERIAL NO.	A		REMARKS
					L	L	
1	AL15562	HYD ACTUATED CONTROL VALVE	1		X		
2	L78625	COVER	1		X		
3	L102453	BLEED VALVE	1		X		
4	R47862	CAP	1		X		
5	R76877	O-RING	2		X		
6	L9M8253	SCREW	5		X		M6 X 30
7	L53975	O-RING	1		X		

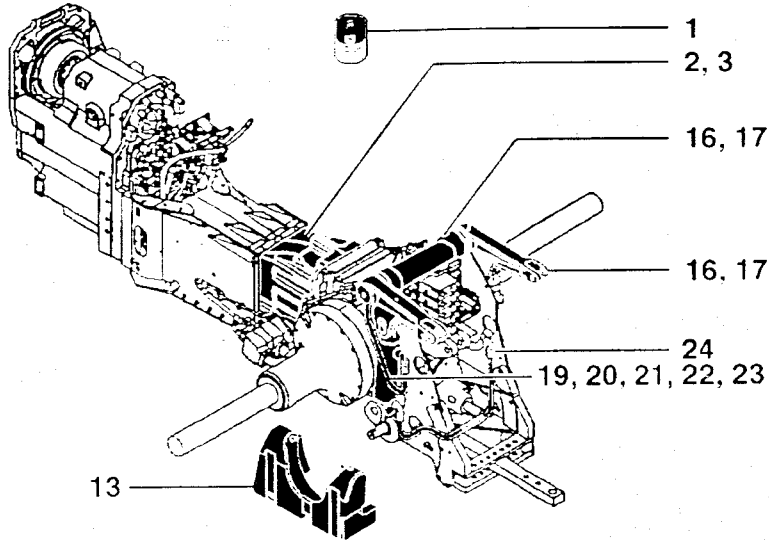
# 70-A01

HYDRAULICS

SECTIONAL INDEX  
 INDEX DE SECTION  
 GRUPPENINDEX  
 INDICE DELLA SEZIONE  
 INDICE DE SECCION  
 GRUPPSFORTECKNING

RXA0084353 -UN-

1-	1
2-	2
3-	4
13-	30
16-	35
17-	36
19-	40
20-	41
21-	43
22-	44
23-	45
24-	46



RXA0084353

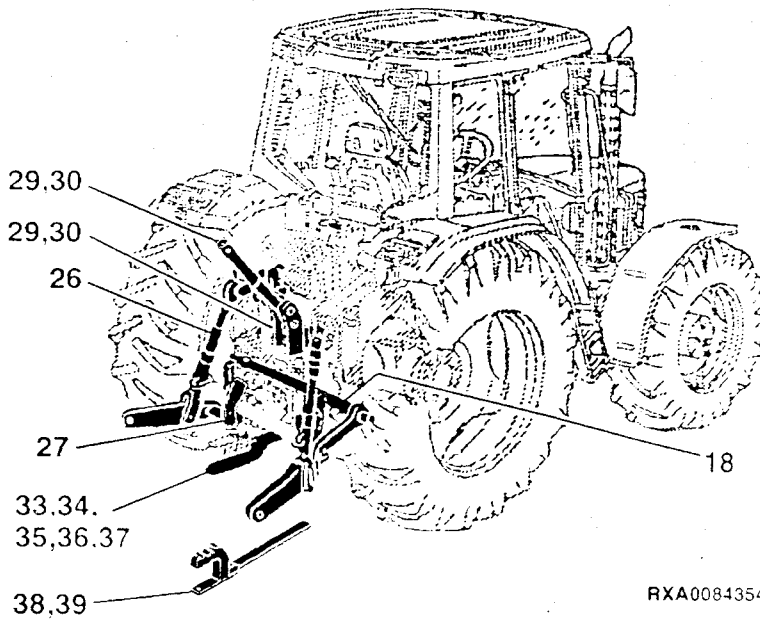
# 70-A02

HYDRAULICS

SECTIONAL INDEX  
 INDEX DE SECTION  
 GRUPPENINDEX  
 SECTIONAL INDEX  
 INDICE DE SECCION  
 GRUPPSFORTECKNING

RXA0084354 -UN-

18-	38
26-	50
27-	53
27-	54
27-	55
29-	58
30-	60
33-	66
34-	68
35-	70
36-	72
37-	74
38-	76
39-	78



RXA0084354

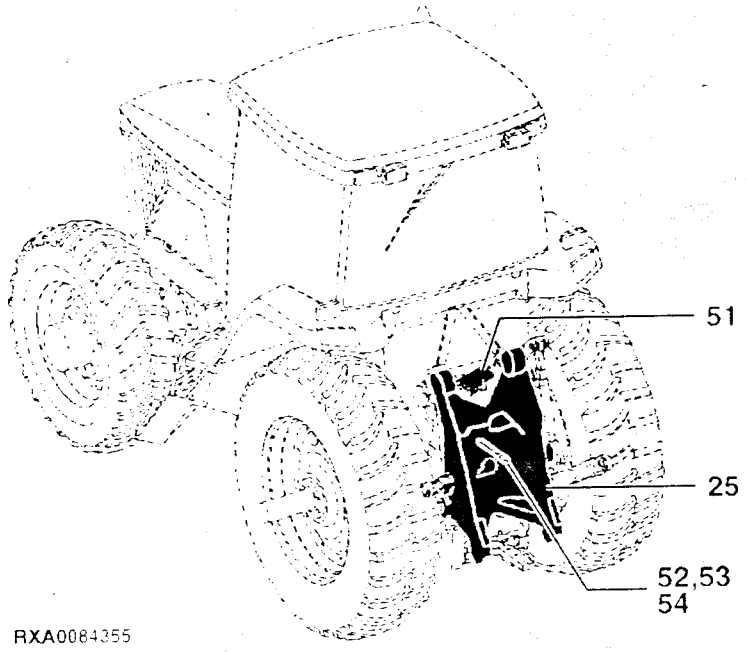
# 70-A03

HYDRAULICS

SECTIONAL INDEX  
INDEX DE SECTION  
GRUPPENINDEX  
SECTIONAL INDEX  
INDICE DE SECCION  
GRUPPSFORTECKNING

RXA0084355 -UN-

25-	48
51-	104
52-	106
53-	108
54-	110



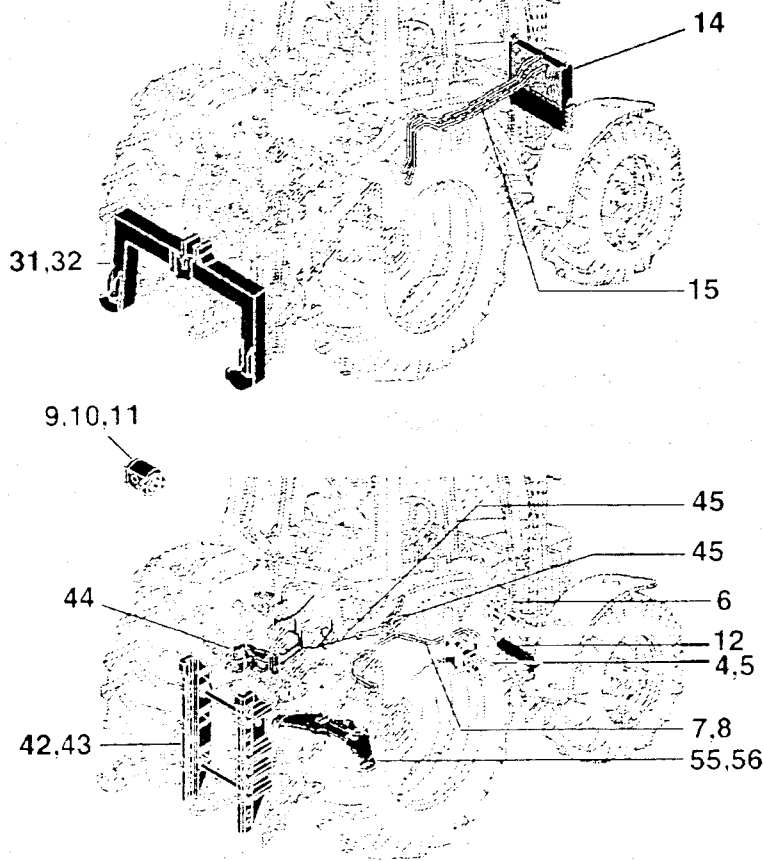
RXA0084355

# 70-A04

HYDRAULICS

SECTIONAL INDEX  
 INDEX DE SECTION  
 GRUPPENINDEX  
 SECTIONAL INDEX  
 INDICE DE SECCION  
 GRUPPSFORTECKNING

RXA0084356 -UN-



4-	6
5-	8
6-	10
6-	12
6-	14
7-	16
7-	18
8-	20
8-	22
8-	24
9-	26
10-	27
11-	28
12-	29
14-	31
15-	32
31-	62
32-	64
42-	84
43-	86
44-	88
45-	90
45-	92
55-	112
56-	114

RXA0084356

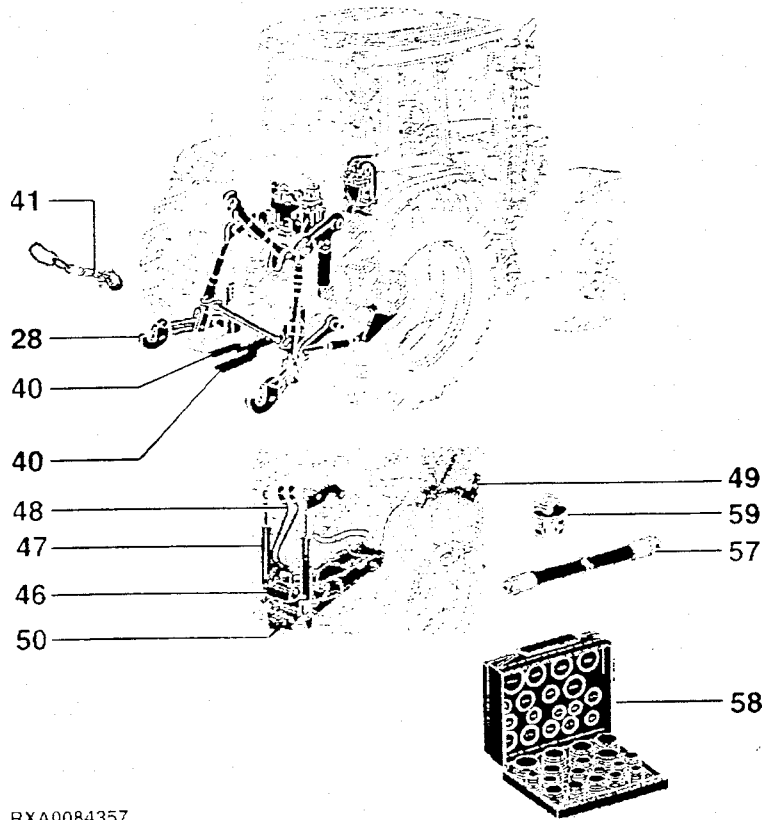
# 70-A05

HYDRAULICS

SECTIONAL INDEX  
 INDEX DE SECTION  
 GRUPPENINDEX  
 SECTIONAL INDEX  
 INDICE DE SECCION  
 GRUPPSFORTECKNING

RXA0084357 -UN-

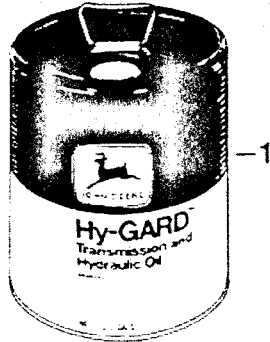
28-	56
40-	80
41-	82
46-	94
47-	96
48-	98
49-	100
50-	102
57-	116
57-	117
58-	118
59-	119



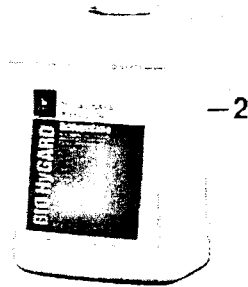
RXA0084357

TRANSMISSION AND HYDRAULIC OIL  
 HUILE DE TRANSMISSION ET HUILE HYDRAULIQUE  
 GETRIEBE- UND HYDRAULIK-OEL  
 OLIO PER TRASMISSIONE E IDRAULICO  
 ACEITE DE TRANSMISION E HIDRAULICO  
 VAEXELLAADS- OCH HYDRAULOLJA

RE026740 UN-20FEB96



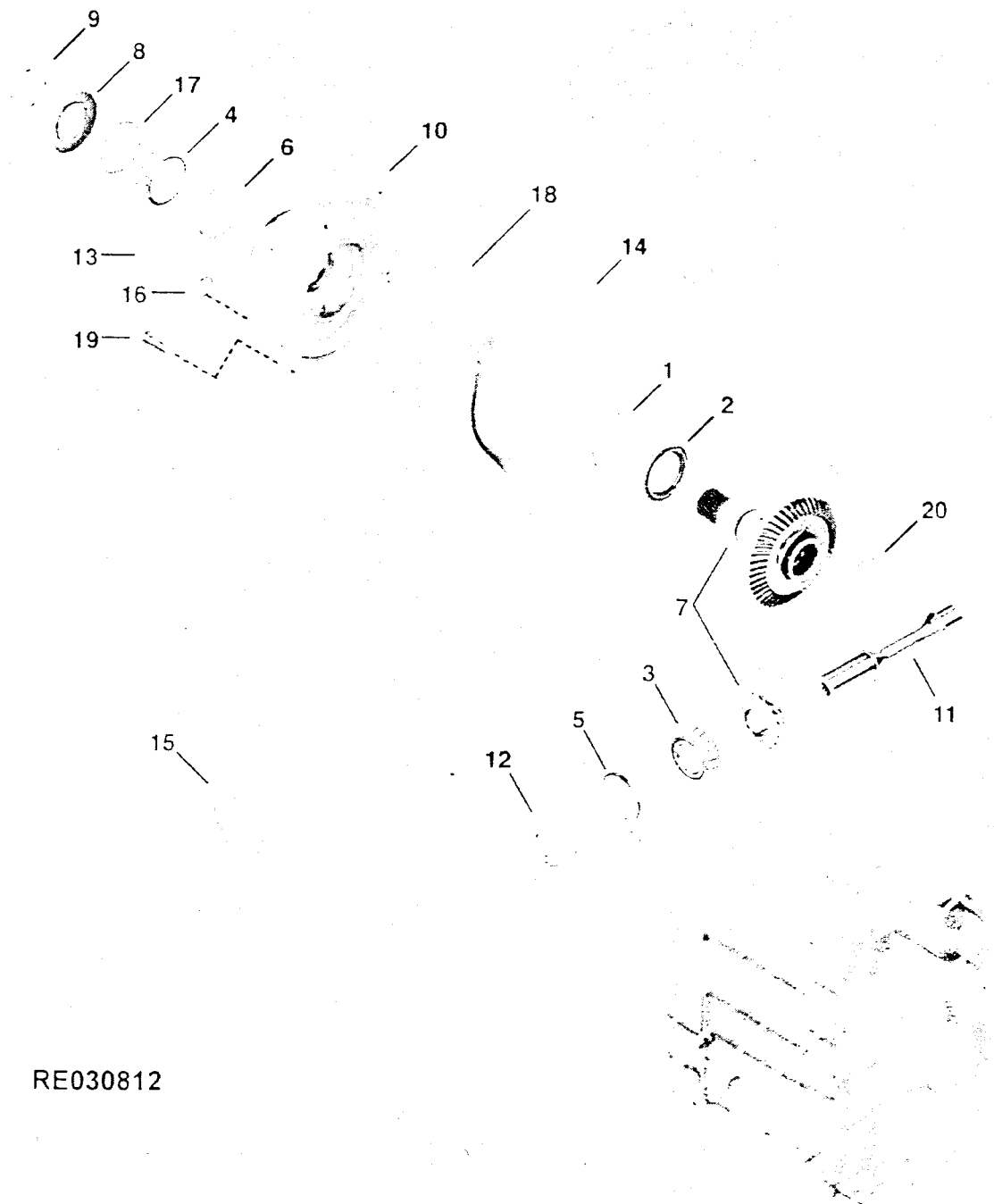
RE026740



KEY	PART NO	PART NAME	QTY	TRACTOR SERIAL NO.	A	REMARKS
					L	
1	AR69444	HY-GARD TM	1		X	19 L (5 GAL)
	AR69445	HY-GARD TM	1		X	208 L (55 GAL)
2	TY22043	BO HY-GARD TM	1		X	1 GAL
	TY22044	BO HY-GARD TM	1		X	19 L (5 GAL)
	TY22063	BO HY-GARD TM	1		X	208 L (55 GAL)

HYDRAULIC PUMP DRIVE  
ELEMENTS D'ENTRAÎNEMENT DE LA POMPE HYDRAULIQUE  
ANTRIEBSTEILE FÜR HYDRAULIKPUMPE  
COMANDO PER POMPA IDRAULICA  
MANDOS DE LA BOMBA HIDRAULICA  
DRIVING FOR HYDRAULPUMP

RE030812 JUN 23AUG99



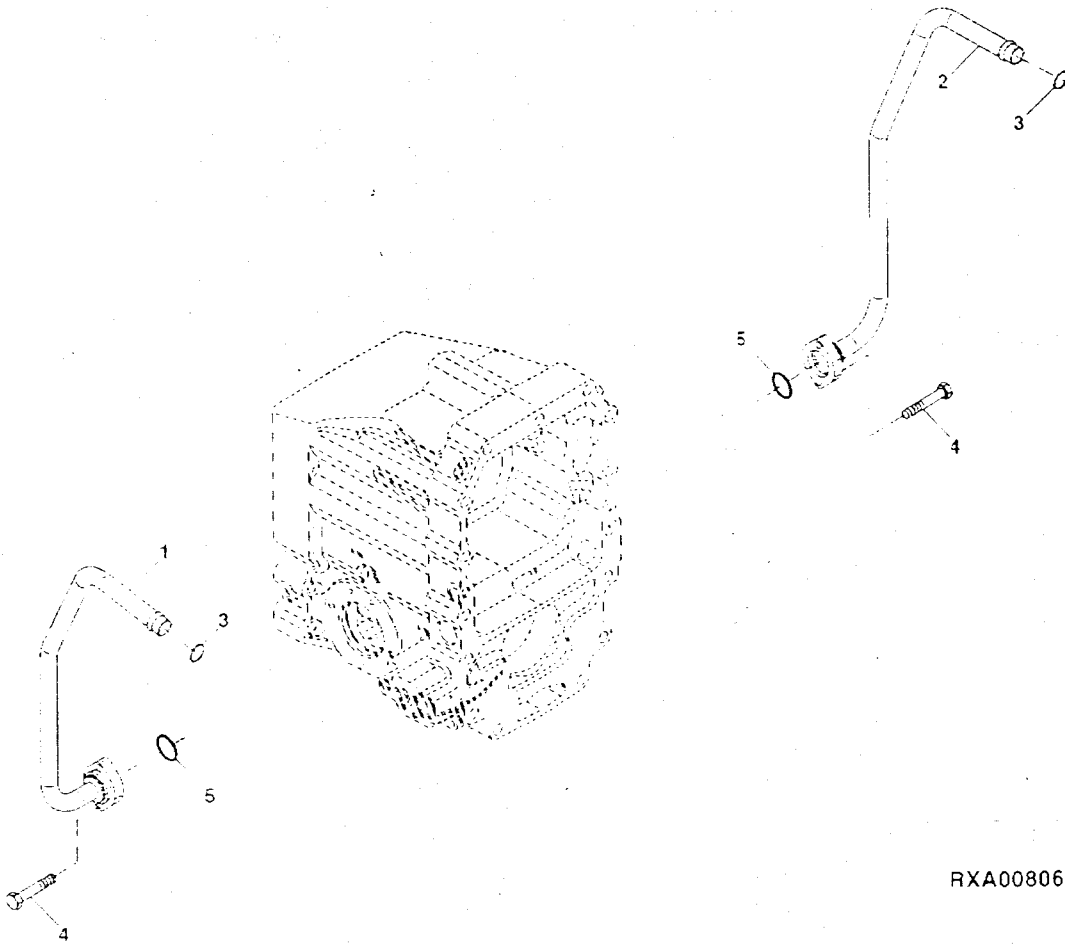
RE030812

THIS PARTS LISTING IS CONTINUED



PUMP DRIVE LINES  
POMPE, CONDUITES D'ENTRAINEMENT  
PUMPE, ANTRIEBSLEITUNGEN  
LINEE DI COMANDO DELLA POMPA  
LINEAS DE MANDO DE LA BOMBA  
PUMP, DRIVLEDNINGAR

RXA0080651 UN-04MAY05



RXA0080651

THIS PARTS LISTING IS CONTINUED

QTY.	PART NO.	PART NAME	AXLE SERIAL NO.	A L L	REMARKS
1	JD7425	BEARING CUP		X	
1	RE62066	BEARING CONE		X	
2	JD9043	BEARING CONE		X	
1	JD9049	BEARING CONE		X	
2	JD9109	BEARING CUP		X	
1	JD9114	BEARING CUP		X	
1	RE217641	GEAR		X	
1	RE151144	SEAL		X	
1	T121280	SEAL		X	
1	R213551	BEARING HOUSING W/O BEARING		X	
1	R213540	SHAFT		X	
2	R213555	NUT		X	
2	R219361	PIN		X	
1	RE236874	SHIM KIT		X	4. (INCLUDES (2) R219508, (5) R219509 AND 2) R219510)
2	R219508	SHIM		X	19MM
5	R219509	SHIM		X	25MM
2	R219510	SHIM		X	38MM
1	R115403	DEFLECTOR		X	
2	E1M7104	O-RING		X	1 X 1.590 MM
1	R64234	SNAP RING		X	
1	R64235	SNAP RING		X	
1	R64236	SNAP RING		X	
1	R64237	SNAP RING		X	
1	T49616	SNAP RING		X	
1	J42016	O-RING		X	
4	T9M7786	SCREW		X	M10 X 30. HS 10.9
1	26H82	SHAFT KEY		X	1.4" X .78"

A. SHIM  
CALE D'EPaisseur  
D STÄNZSCHEIBE  
SPESSORE  
S. ELEMENTO  
SHIMS

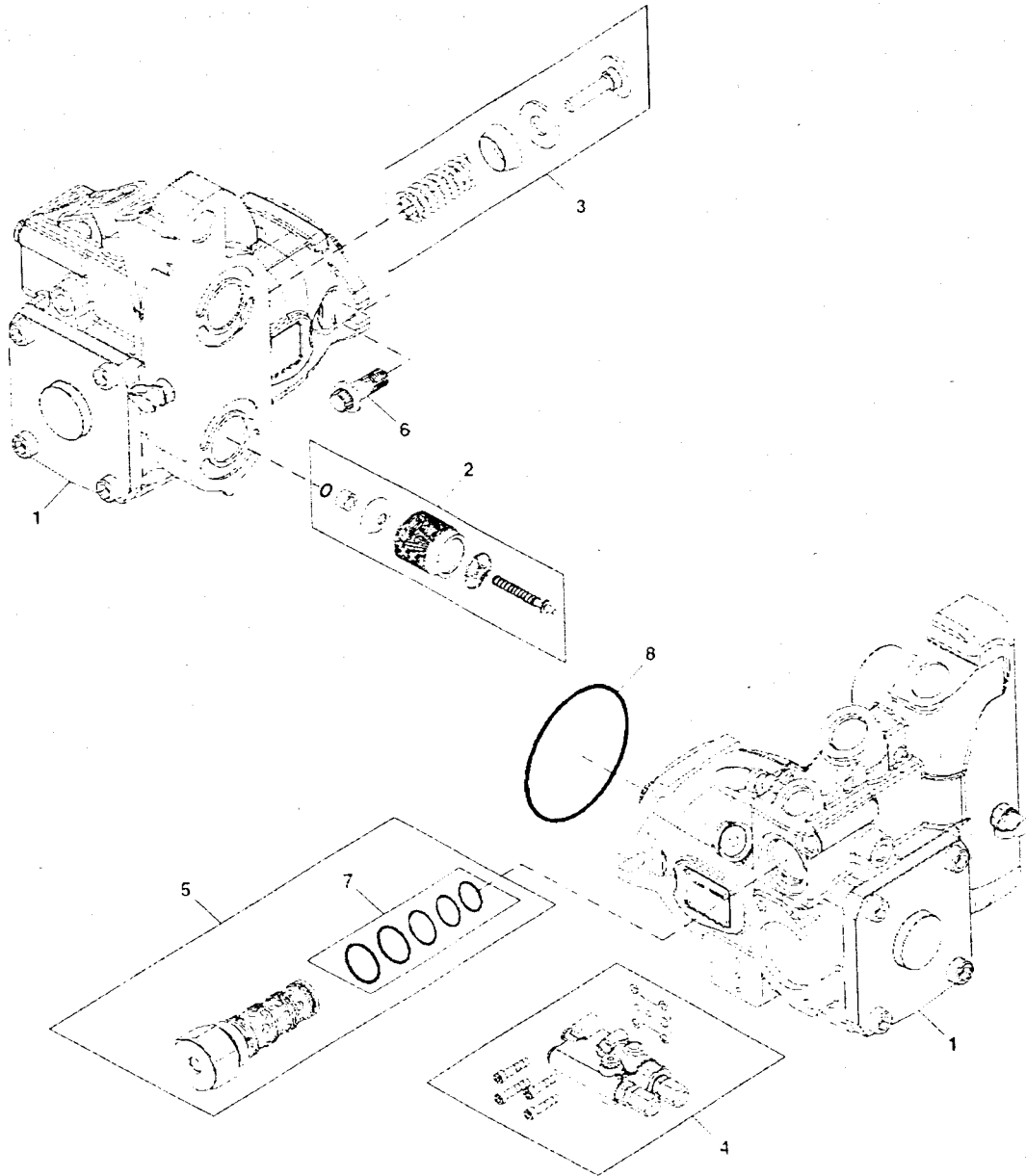
# 70-5

HYDRAULICS

QTY	PART NO.	PART NAME	QTY	TRACTOR SERIAL NO.	REMARKS
1	RE215900	OIL LINE	1		X
1	RE215901	OIL LINE	1		X
2	R495R	O-RING	2		X
4	19M7735	SCREW	4		X M10 X 25
2	R216725	O-RING	2		X (SERVICED IN RE215900 OR RE215901)

HYDRAULIC PUMP  
POMPE HYDRAULIQUE  
HYDRAULIKPUMPE  
POMPE IDRAULICA  
BOMBA HIDRAULICA  
HYDRAULPUMP

KAG 84542 JUN-08NOV05



RXA0084842

THIS PARTS LISTING IS CONTINUED

8130, 8230, 8330, 8430, 8530 TRACTORS PC9451 11-DEC-05

PART NO	PART NAME	QTY	PUMP SERIAL NO.	A L L	REMARKS
RE210847	HYDRAULIC PUMP	1	-XXXXXX	X	63CC
RE258467	HYDRAULIC PUMP	1	XXXXXX-	X	63CC
RE244829	HYDRAULIC PUMP	1	-XXXXXX	X	(SUB RE250831) 85CC
RE258468	HYDRAULIC PUMP	1	XXXXXX-	X	85CC
RE211020	KIT	2		X	(A)
RE211019	KIT	1		X	(B)
RE211015	KIT	1		X	(C) (INCLUDES (4) T201525)
T201525	SEAL	4		X	(C)
RE210860	CONTROL VALVE	1		X	(D)
R230667	SCREW	2		X	M14 X 2 X 35
RE252945	KIT	1		X	
T42302	O-RING	1		X	

A ANTI-DRAIN BACK  
 ANTI-RETOUR DE VIDANGE  
 RÜCKLAUF-SCHUTZVORRICHTUNG  
 RITORNO ANTI-SCARICO  
 LEGO ANTIDRENAJE  
 RETURSKYDDSANORDNING

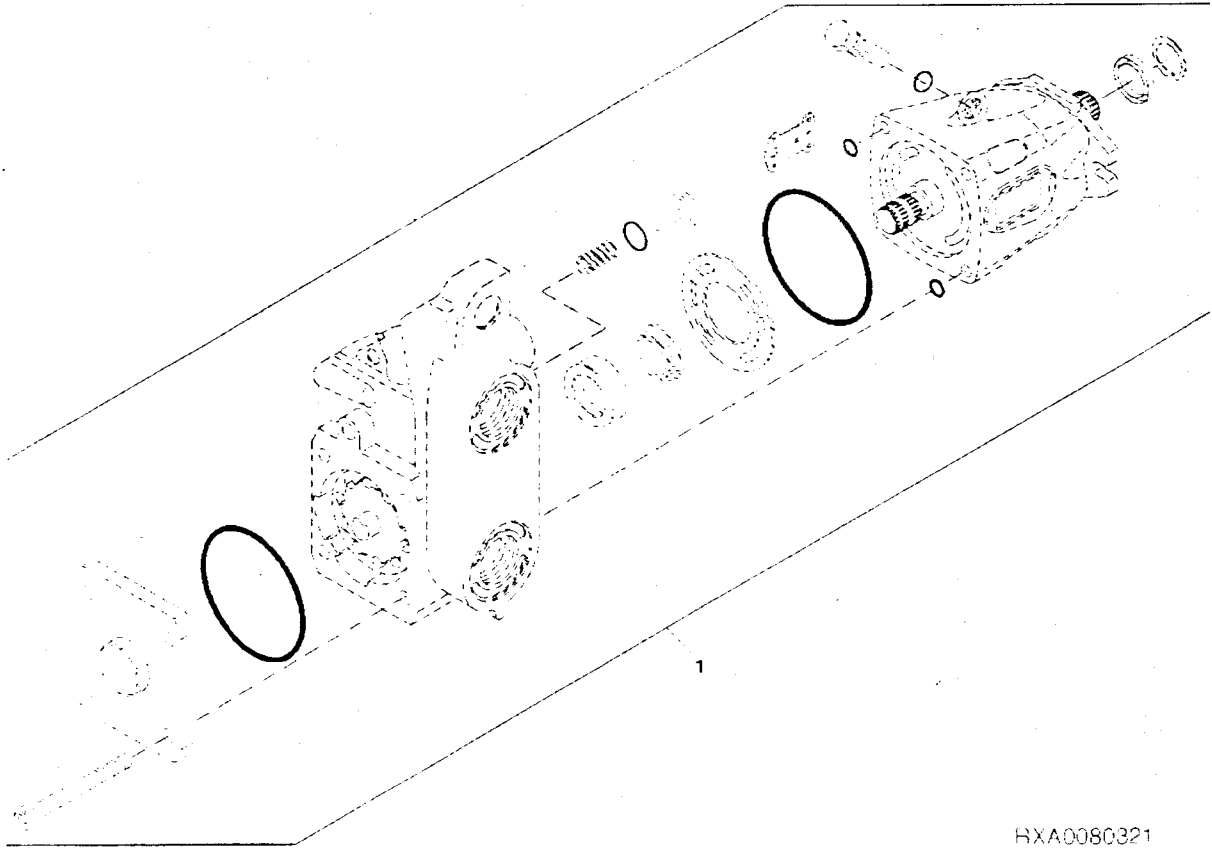
C PUMP CONTROLLER  
 CONTROLEUR DE LA POMPE  
 PUMPENSTEUERGERAET  
 REGOLATORE DELLA POMPA  
 UNIDAD DE CONTROL DE LA BOMBA  
 PUMPSTYRENHET

(B) BYPASS VALVE  
 SOUPE DE DERIVATION  
 UMGEHUNGSVENTIL  
 VALVOLA DI BYPASS  
 VALVULA DERIVADORA  
 FOERBIGAANGSVENTIL

(D) PRIORITY VALVE  
 SOUPE PRIORITAIRE  
 VORRANGVENTIL  
 VALVOLA DI PRIORITA'  
 VALVULA PRIORITARIA  
 PRIORITETSVENTIL

HYDRAULIC PUMP SEAL KIT  
JEU DE JOINTS D-ETANCHEITE DE LA POMPE HYDRAULIQUE (45 CM3 (2.75 IN3))  
HYDRAULIKPUMPEN-DICHTUNGSATZ (45 CM3 (2.75 IN3))  
KIT DI TENUTA DELLA POMPA IDRAULICA (45 CM3 (2.75 IN3))  
JUEGO DE SELLOS DE LA BOMBA HIDRAULICA (45 CM3 (2.75 IN3))  
TÆTNINGSSATS FOER HYDRAULPUMP (45 CM3 (2.75 IN3))

RXAD 21321 07-21APR05

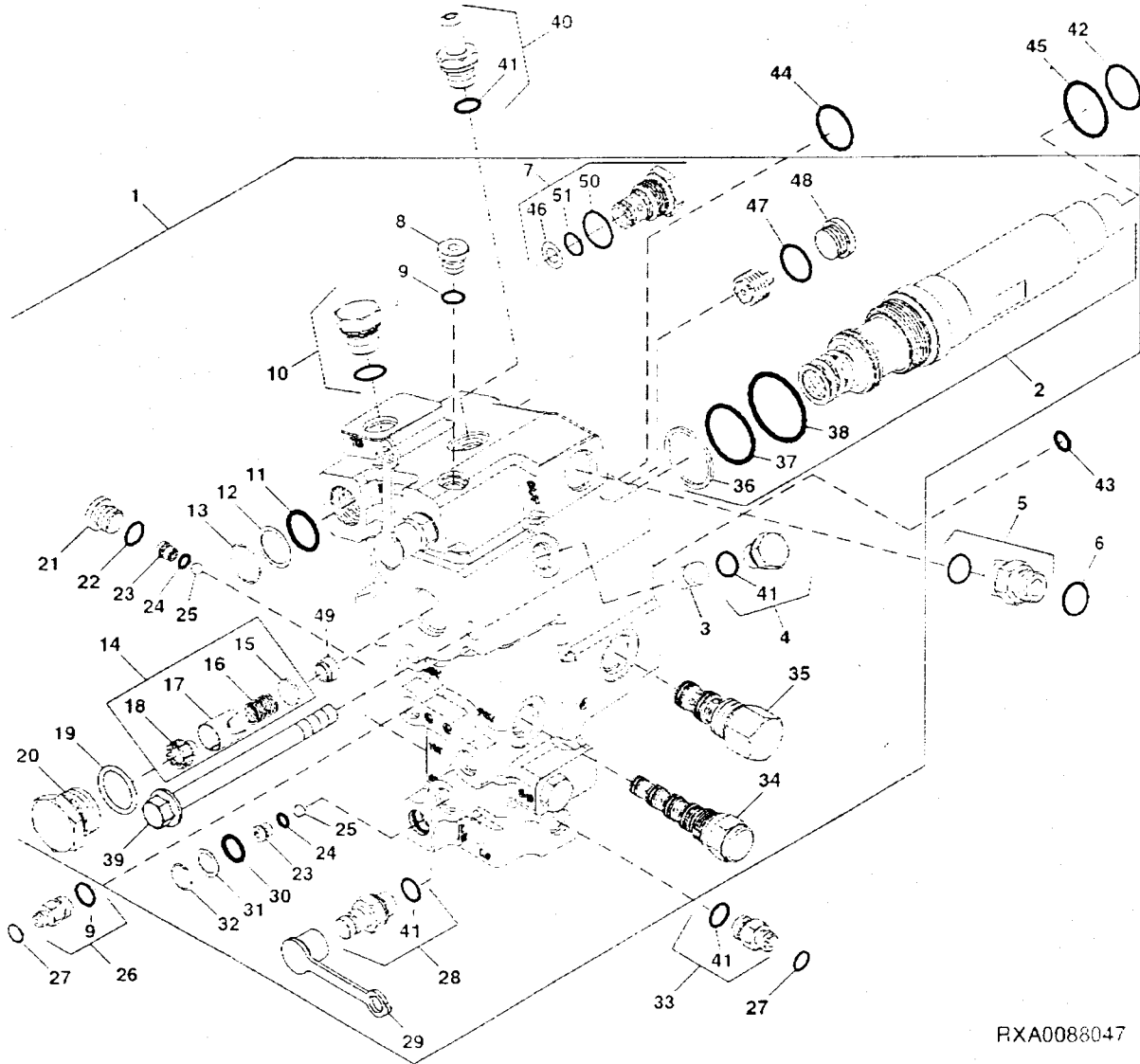


RXA0080321

KEY	PART NO.	PART NAME	QTY.	PUMP SERIAL NO.	A L L	REMARKS
	RE211014	SEAL KIT	1		X	

ENGINE-DRIVEN PUMP ( -XXXXXX)  
POMPE A ENG. RE. LAGES D'ENTRAÎNEMENT PAR PROPULSION ( -XXXXXX)  
BEWEGUNGSGETRIEBENE PUMPE ( -XXXXXX)  
POMPA DI AZIONAMENTO ( -XXXXXX)  
BOMBA DE PROPULSION ( -XXXXXX)  
ROERELSEDRIVEN PUMP ( -XXXXXX)

RXA0088047 -UN-29MAR06



RXA0088047

THIS PARTS LISTING IS CONTINUED



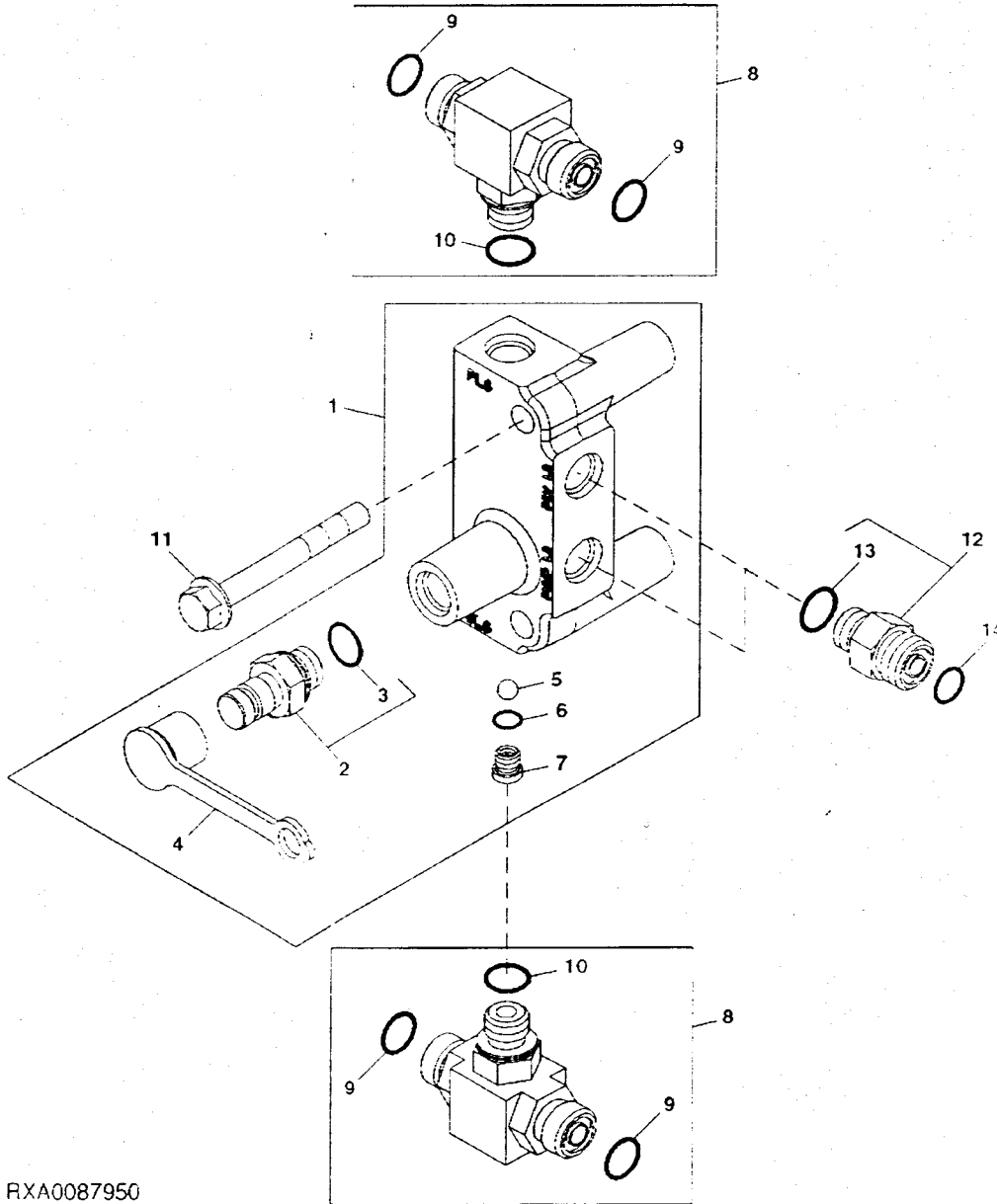
QTY	PART NO.	PART NAME	QTY	PUMP SERIAL NO.	A L L	REMARKS
1	RE250449	MANIFOLD	1	-XXXXXX	X	(SUB FOR RE243228 OR RE231103) (INCLUDES RE250448)
1	RE249013	MANIFOLD	1	XXXXXX-	X	
1	RE250448	VALVE	1	-XXXXXX	X	(SUB FOR RE224569)
1	R238995	PIN	1		X	
3	RE46684	PLUG	3		X	
1	38H5004	ADAPTER FITTING	1		X	
1	51M7045	O-RING	1		X	
1	T77932	O-RING	1		X	
1	RE220436	CHECK VALVE	1		X	
2	15M7079	DRAIN PLUG	2		X	
1	51M7040	O-RING	1		X	
1	RE46685	PLUG	1		X	
1	51M7043	O-RING	1		X	
1	R223852	O-RING	1		X	
1	R223859	BACK-UP RING	1		X	
1	R223863	RING	1		X	
1	RE23382	VALVE	1		X	
1	R49297	DISK	1		X	
1	R39228	SPRING	1		X	
1	R48738	GUIDE	1		X	
1	R83508	STOP	1		X	
1	51M7047	O-RING	1		X	
1	R226925	DRAIN PLUG	1		X	
1	15M7076	DRAIN PLUG	1		X	
1	51M7041	O-RING	1		X	
2	R226261	ORIFICE	2		X	ILS
1	R226261	ORIFICE	1		X	
2	R30903	O-RING	2		X	ILS
1	R30903	O-RING	1		X	
2	400R	BALL	2		X	ILS
1	400R	BALL	1		X	
1	38H5008	ADAPTER FITTING	1		X	
2	T77613	O-RING	2		X	
2	RE190805	DIAGNOSTIC COUPLING	2		X	
2	R77175	COVER	2		X	
1	R223849	O-RING	1		X	
1	R223857	BACK-UP RING	1		X	
1	R223861	RING	1		X	
4	38H5002	ADAPTER FITTING	4		X	
1	RE220438	SPOOL VALVE	1		X	
1	RE220437	PRESSURE RELIEF VALVE	1		X	
1	R231115	BACK-UP RING	1		X	
1	R134074	O-RING	1		X	
1	U13639	O-RING	1		X	
3	19M7958	SCREW	3		X	M10 X 150
1	RE245714	HOSE FITTING	1		X	
1	51M7041	O-RING	1		X	11.300 X 2.200 MM
1	R235246	O-RING	1		X	
1	R135333	O-RING	1		X	
1	R235245	O-RING	1		X	
1	51M7065	O-RING	1		X	47.219 X 3.531 MM
1	R255777	BACK-UP RING	1		X	
1	R26375	O-RING	1		X	
1	AT101923	FITTING PLUG	1		X	
1	R105583	VALVE SEAT INSERT	1		X	
1	R26906	O-RING	1		X	
1	R28776	O-RING	1		X	

# 70-12

HYDRAULICS

COLLETTORI DI RILEVAMENTO DEL CARICO (XXXXXX- ) (40K)(50K/IVT/ILS/EV)  
 COLECTOR DE SENSOR DE CARGA (XXXXXX- ) (40K)(50K/IVT/ILS/EV)  
 LASTAVKAENNINGSFOERDELARE (XXXXXX- ) (40K)(50K/IVT/ILS/EV)

RXA0087950 UN-23MAR06



RXA0087950

THIS PARTS LISTING IS CONTINUED

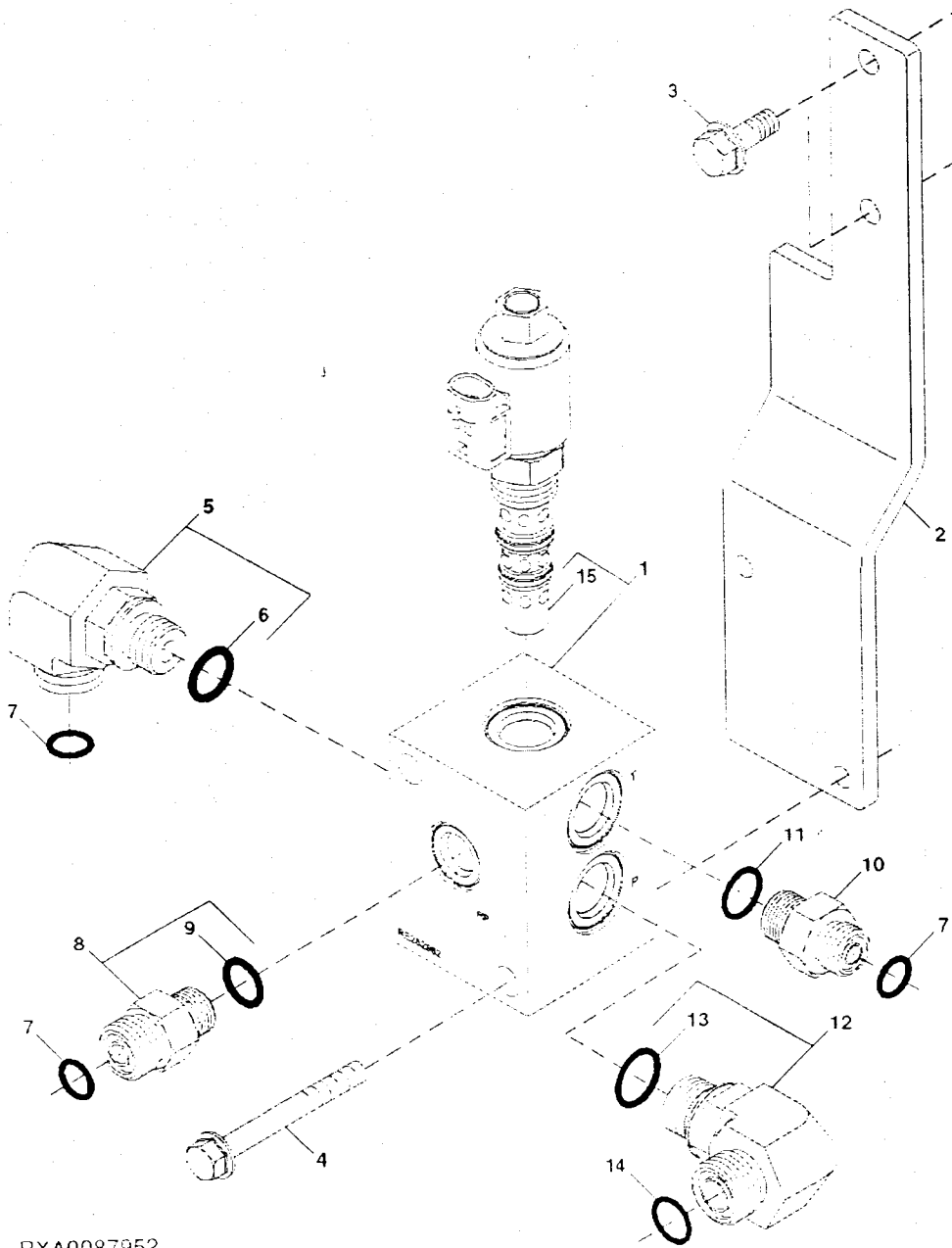
# 70-13

HYDRAULIC

KEY	PART NO.	PART NAME	QTY.	PUMP SERIAL NO.	A L L	REMARKS
1	RE251338	MANIFOLD	1		X	
2	RE190805	DIAGNOSTIC COUPLING	1		X	
3	51M70-1	O-RING	1		X	
4	R77175	COVER	1		X	
5	400R	BALL	1		X	
6	R30993	O-RING	1		X	
7	R226261	ORIFICE	1		X	
8	RE228034	CHECK VALVE	2		X	
9	T77613	O-RING	2		X	
10	51M70-1	O-RING	1		X	
11	19M7803	SCREW	2		X	M8 X 70
12	38H5002	ADAPTER FITTING	2		X	
13	51M70-1	O-RING	1		X	
14	T77613	O-RING	2		X	

BRAKE COOLING VALVE (50K/IVT/ILS/EV)  
 SOUPPE DE REFROIDISSEMENT DE FREIN (50K/IVT/ILS/EV)  
 BREMSKUEHLVENTIL (50K/IVT/ILS/EV)  
 VALVOLA DI RAFFREDDAMENTO DEL FRENO (50K/IVT/ILS/EV)  
 VALVULA DE ENFRIAMIENTO DE FRENOS (50K/IVT/ILS/EV)  
 BRÖMSKYLNINGSVENTIL (50K/IVT/ILS/EV)

RXA0087952 -UN-27MAR06



RXA0087952

THIS PARTS LISTING IS CONTINUED

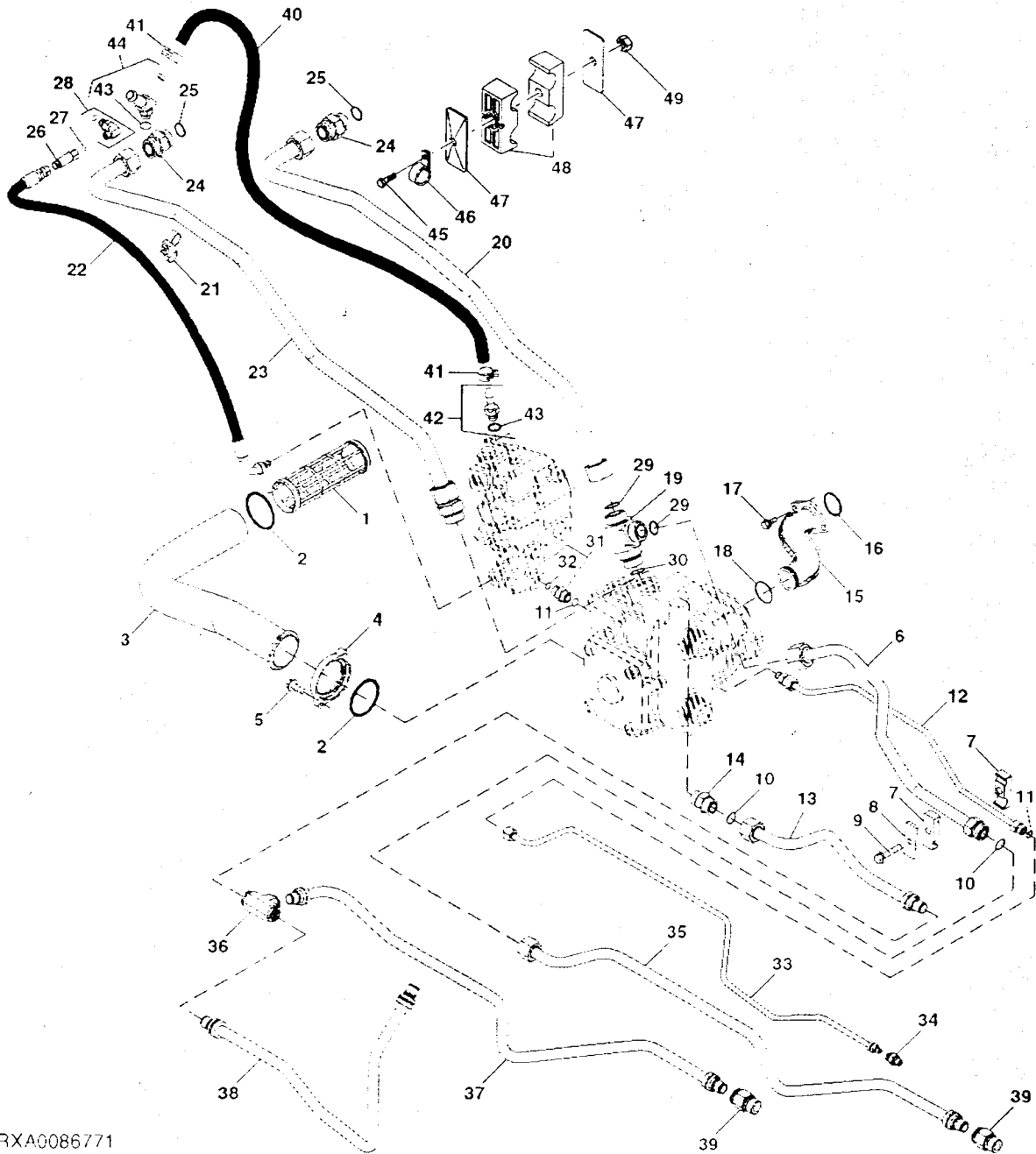
# 70-15

HYDRAULIC

KEY	PART NO.	PART NAME	QTY.	PUMP SERIAL NO.	A L L	REMARKS
1	RE252952	SOLENOID VALVE	1		X	
2	R251324	BRACKET	1		X	
3	19M7866	SCREW	2		X	M8 X 20, HS 10.9
4	19M7803	SCREW	2		X	M8 X 70
5	38H5016	ELBOW FITTING	1		X	
6	51M7041	O-RING	1		X	
7	T77613	O-RING	3		X	
8	38H5002	ADAPTER FITTING	1		X	
9	51M7041	O-RING	1		X	
10	38H5012	ADAPTER FITTING	1		X	
11	51M7043	O-RING	1		X	
12	38H5017	ELBOW FITTING	1		X	
13	51M7043	O-RING	1		X	
14	T77857	O-RING	1		X	
15	RE252947	SOLENOID VALVE	1		X	

HYDRAULIC PUMP LINES ( -XXXXXX)  
TUYAUTERIES HYDRAULIQUES ( -XXXXXX)  
HYDRAULIKOELLEITUNGEN ( -XXXXXX)  
LINEE IDRAULICHE ( -XXXXXX)  
TUBERIAS DE ACEITE HYDRAULICO ( -XXXXXX)  
HYDRAULLEDNINGAR ( -XXXXXX)

RXA0086771 -UN-14FEB06



RXA0086771

# 70-17

HYDRAULICS

KEY	PART NO.	PART NAME	QTY.	TRACTOR SERIAL NO.	A L L	REMARKS
1	R216724	SCREEN	1		X	
2	F3450R	O-RING	2		X	
3	R236188	OIL LINE	1		X	
4	R235932	FLANGE	1		X	
5	19M7785	SCREW	2		X	M10 X 25
6	RE215899	OIL LINE	1		X	ILS
7	R221774	HALF CLAMP	2		X	ILS
8	R221778	PLATE	1		X	ILS
9	19M7805	SCREW	1		X	M10 X 45. ILS
10	T77858	O-RING	1		X	ILS
11	T77613	O-RING	2		X	ILS
12	RE215880	OIL LINE	2		X	ILS
13	RE220178	OIL LINE	1		X	ILS (STC)
14	38H5005	ADAPTER FITTING	1		X	ILS
	51M7047	O-RING	1		X	23.600 X 2.900 MM
15	RE233007	OIL LINE	1		X	(SUB RE253175)
16	A4540R	O-RING	1		X	
17	19M7866	SCREW	2		X	M8 X 20
18	R109982	O-RING	1		X	
19	61M5110	TEE FITTING	1		X	ILS
	61M5203	ADAPTER FITTING	1		X	(SUB RE258123) W/O ILS
20	RE243523	OIL LINE	1		X	
21	R213663	CLAMP	1		X	
22	RE243525	HYDRAULIC HOSE	1		X	(STC)
23	RE243524	OIL LINE	1		X	
24	38H5006	ADAPTER FITTING	2		X	
25	51M7048	O-RING	2		X	29.600 X 2.900 MM
26	AL159974	CHECK VALVE	1		X	
27	T77814	O-RING	1		X	
28	38H5025	ELBOW FITTING	1		X	
	51M7041	O-RING	1		X	11.300 X 2.200 MM
29	T76938	O-RING	2		X	ILS
	T76938	O-RING	1		X	W/O ILS
30	51M7048	O-RING	1		X	29.600 X 2.900 MM
31	38H5002	ADAPTER FITTING	1		X	ILS
32	51M7041	O-RING	1		X	11.300 X 2.200 MM
33	RE220188	OIL LINE	1		X	ILS, PST (STC)
	RE215902	OIL LINE	1		X	ILS, IVT (STC)
34	62M1000	ADAPTER FITTING	1		X	(A) ILS
35	RE220189	OIL LINE	1		X	ILS, PST (STC)
	RE243541	OIL LINE	1		X	ILS, IVT (STC)
36	62M1004	ADAPTER FITTING	1		X	ILS
37	RE220185	OIL LINE	1		X	ILS, PST (STC)
	RE243543	OIL LINE	1		X	ILS, IVT (STC)
38	RE220179	OIL LINE	1		X	(SUB RE254625) ILS (STC)
39	62M1002	ADAPTER FITTING	2		X	(A) ILS
40	R246027	HYDRAULIC HOSE	1		X	
41	R202160	CLAMP	2		X	
42	RE245714	HOSE FITTING	1		X	
43	51M7041	O-RING	2		X	11.300 X 2.200 MM
44	RE232705	TEE FITTING	1		X	
45	19M7801	SCREW	1		X	M8 X 60
46	T27550	CLIP	1		X	
47	H112567	PLATE	2		X	
48	H115379	CLAMP	2		X	
49	14M7298	FLANGE NUT	1		X	M8

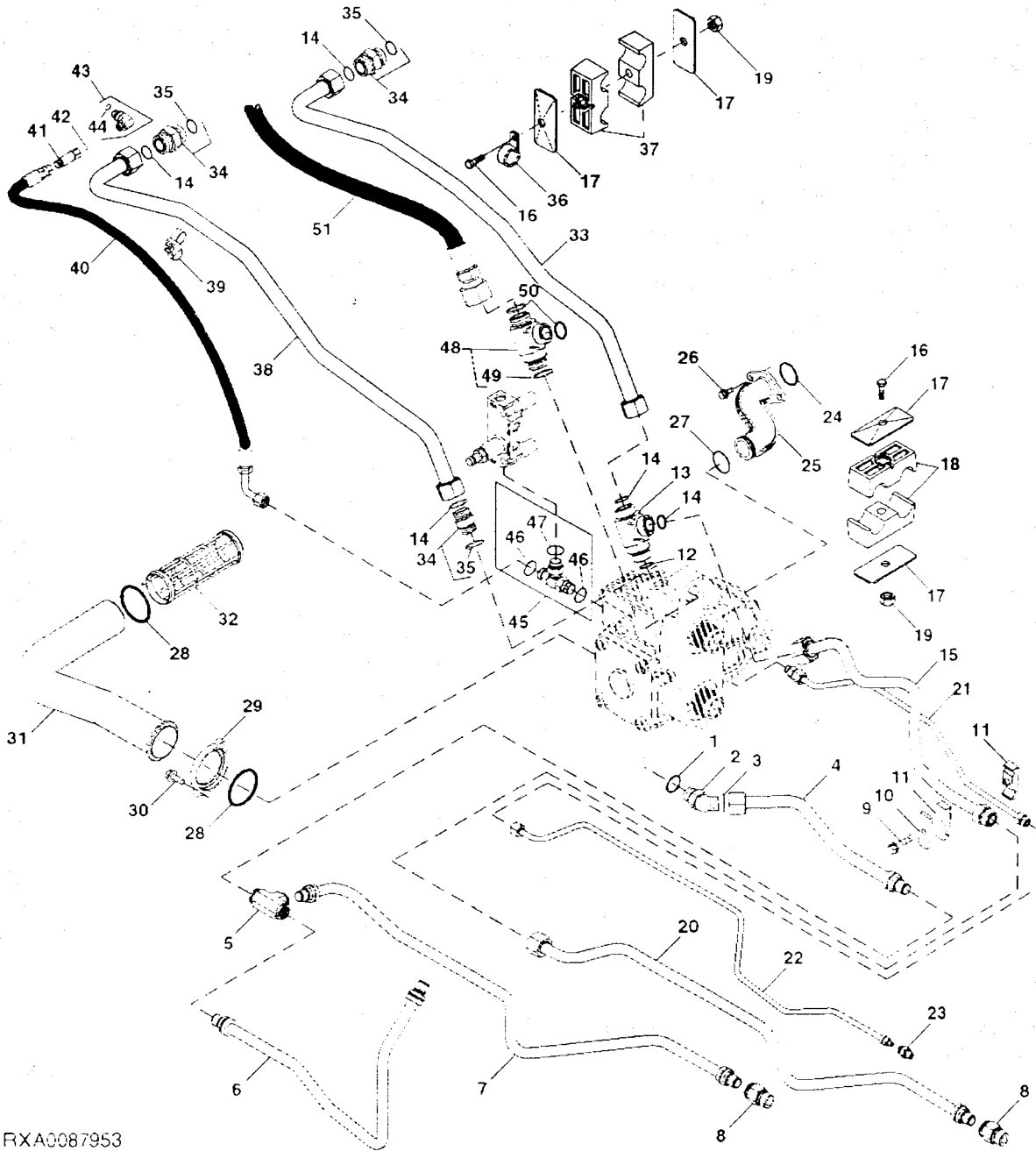
(A) TO CONNECT STC TO O-RING FACE SEAL  
 POUR BRANCHER STC AU RACCORD D'ETANCHEITE A JOINT TORIQUE A FACE  
 ZUM ANSCHLIESSEN VON STC AN O-RING-FLACHDICHTUNG  
 PER COLLEGAMENTO DELL'STC ALL'O-RING  
 PARA CONECTAR STC A SELLO CON ANILLO "O"  
 ANSLUTER STC TILL O-RINGSTAETNING

# 70-18

HYDRAULICS

HYDRAULIC PUMP LINES (XXXXXX- ) (40K) (50K) (IVT) (ILS) (EV)  
TUYAUTERIES HYDRAULIQUES (XXXXXX- ) (40K) (50K) (IVT) (ILS) (EV)  
HYDRAULIKOELLEITUNGEN (XXXXXX- ) (40K) (50K) (IVT) (ILS) (EV)  
LINEE IDRAULICHE (XXXXXX- ) (40K) (50K) (IVT) (ILS) (EV)  
TUBERIAS DE ACEITE HYDRAULICO (XXXXXX- ) (40K) (50K) (IVT) (ILS) (EV)  
HYDRAULLEDNINGAR (XXXXXX- ) (40K) (50K) (IVT) (ILS) (EV)

RXA0087953 -UN-29MAR06



RXA0087953



KEY	PART NO.	PART NAME	QTY.	TRACTOR SERIAL NO.	A L L	REMARKS
1	T77858	O-RING	1		X	
2	38H5129	ELBOW FITTING	1		X	
3	51M7047	O-RING	1		X	
4	RE255375	OIL LINE	1		X	(STC)
5	62M1004	ADAPTER FITTING	1		X	
6	RE254625	OIL LINE	1		X	(STC)
7	RE243543	OIL LINE	1		X	(STC)
8	62M1002	ADAPTER FITTING	2		X	(A)
9	19M7805	SCREW	1		X	M10 X 45, HS 10.9
10	R221778	PLATE	1		X	
11	R221774	HALF CLAMP	2		X	
12	51M7048	O-RING	1		X	
13	RE251325	HOSE FITTING	1		X	
14	T76938	O-RING	5		X	
15	RE255374	OIL LINE	1		X	
16	19M7801	SCREW	2		X	M8 X 60
17	H112567	PLATE	4		X	
18	H135155	CLAMP	2		X	
19	14M7298	FLANGE NUT	2		X	M8
20	RE243541	OIL LINE	1		X	(STC)
21	RE242525	OIL LINE	1		X	(B)
22	RE215902	OIL LINE	1		X	(STC)
23	62M1000	ADAPTER FITTING	1		X	(A)
24	A4540R	O-RING	1		X	
25	RE253175	TUBE	1		X	
26	19M7866	SCREW	2		X	M8 X 20, HS 10.9
27	R109982	O-RING	1		X	
28	F3450R	O-RING	2		X	
29	R235932	FLANGE	1		X	
30	19M7785	SCREW	2		X	M10 X 25, HS 10.9
31	R236188	OIL LINE	1		X	
32	R216724	SCREEN	1		X	
33	RE243523	OIL LINE	1		X	
34	38H5006	ADAPTER FITTING	3		X	
35	51M7048	O-RING	3		X	
36	T27550	CLIP	1		X	
37	H115379	CLAMP	2		X	
38	RE243524	OIL LINE	1		X	
39	R213663	CLAMP	1		X	
40	RE242517	HYDRAULIC HOSE	1		X	
41	AL159974	CHECK VALVE	1		X	
42	T77814	O-RING	1		X	
43	38H5025	ELBOW FITTING	1		X	
44	51M7041	O-RING	1		X	
45	RE228034	CHECK VALVE	1		X	
46	T77813	O-RING	2		X	
47	51M7041	O-RING	1		X	
48	38H5140	TEE FITTING	1		X	
49	51M7047	O-RING	1		X	
50	T77832	O-RING	2		X	
51	RE242519	HYDRAULIC HOSE	1		X	

(A) TO CONNECT STC TO O-RING FACE SEAL  
 POUR BRANCHER STC AU RACCORD D'ETANCHEITE A JOINT TORIQUE A FACE  
 ZUM ANSCHLIESSEN VON STC AN O-RING-FLACHDICHTUNG  
 PER COLLEGAMENTO DELL'STC ALLO-RING  
 PARA CONECTAR STC A SELLO CON ANILLO "O"  
 ANSLUTER STC TILL O-RINGSTAETNING

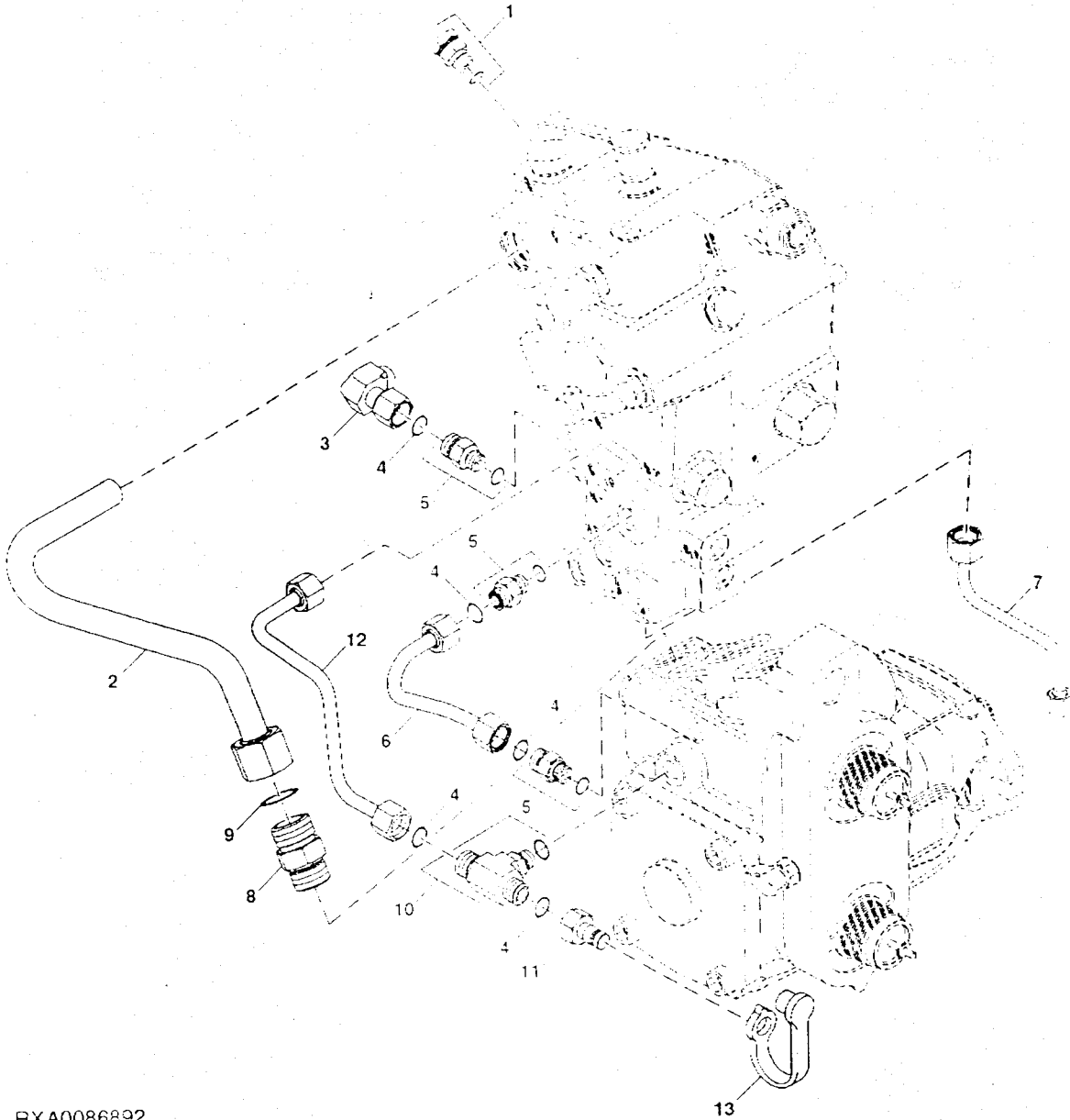
(B) LOAD SENSE  
 DETECTION DE CHARGE  
 PILOTDRUCK  
 RILEVAMENTO DEL CARICO  
 DETECCION DE CARGA  
 BELASTNINGSAVKAENNING

# 70-20

HYDRAULICS

GROUND DRIVE PUMP/HYDRAULIC PUMP LINES ( -XXXXXX)  
NGRENAGES D'ENTRAINEMENT PAR PROPULSION/TUYAUTERIES HYDRAULIQUES ( -XXXXXX)  
BEWEGUNGSGETRIEBENE PUMPE/HYDRAULIKOELLEITUNGEN ( -XXXXXX)  
POMPA DI AZIONAMENTO/LINEE IDRAULICHE ( -XXXXXX)  
BOMBA DE PROPULSION/TUBERIAS DE ACEITE HYDRAULICO ( -XXXXXX)  
ROERELSEDRIVEN PUMP/HYDRAULLEDNINGAR ( -XXXXXX)

RXA0086892 -UN-20FEB06



RXA0086892

THIS PARTS LISTING IS CONTINUED

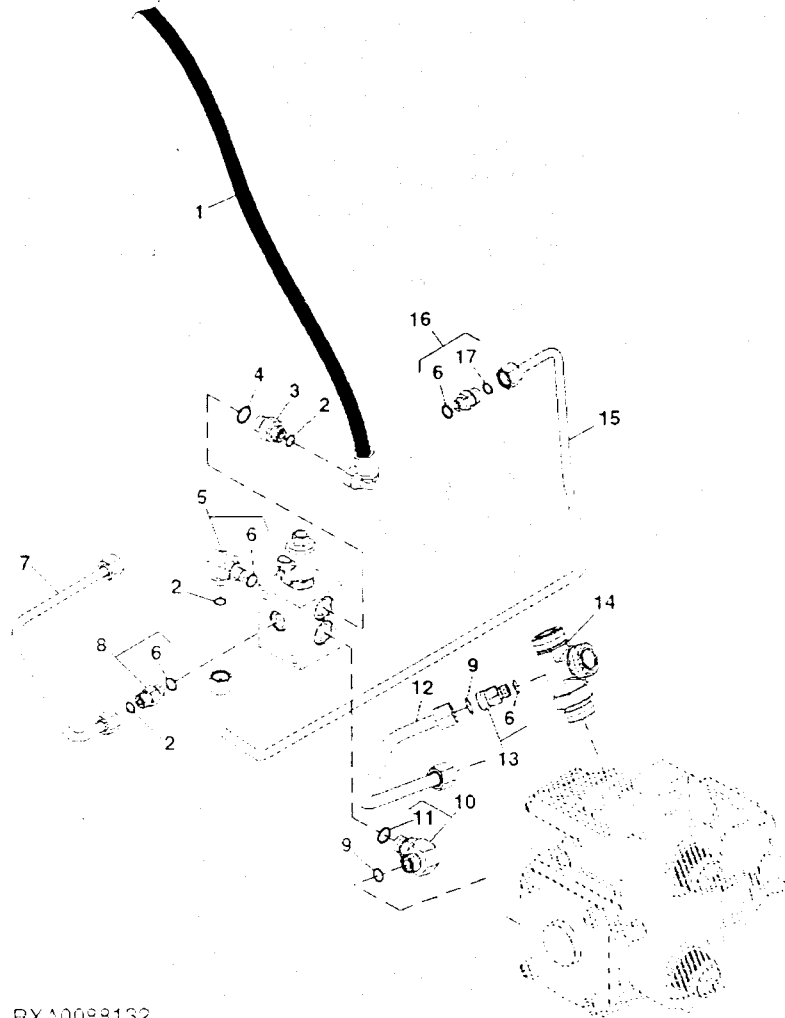
# 70-23

HYDRAULIC

KEY	PART NO.	PART NAME	QTY.	TRACTOR SERIAL NO.	A L L	REMARKS
1	RE242518	HYDRAULIC HOSE	1		X	
2	RE228034	CHECK VALVE	1		X	
3	T77613	O-RING	2		X	
4	51M7041	O-RING	1		X	
5	38H5002	ADAPTER FITTING	3		X	
6	51M7041	O-RING	1		X	
7	T77613	O-RING	3		X	
8	RE242524	OIL LINE	1		X	
9	RE242523	OIL LINE	1		X	
10	38H5001	ADAPTER FITTING	1		X	
11	51M7040	O-RING	1		X	
12	T77814	O-RING	1		X	

**BRAKE COOLING VALVE LINES (50K/IVT/ILS/EV)**  
**CONDUITES DE SOUPE DE REFROIDISSEMENT DE FREIN (50K/IVT/ILS/EV)**  
**BREMSKUEHLVENTIL-LEITUNGEN (50K/IVT/ILS/EV)**  
**TUBAZIONI DELLA VALVOLA DI RAFFREDDAMENTO DEL FRENO (50K/IVT/ILS/EV)**  
**LINEAS DE VALVULA DE ENFRIAMIENTO DE FRENOS (50K/IVT/ILS/EV)**  
**LEDNINGAR TILL BROMSKYLNINGSVENTIL (50K/IVT/ILS/EV)**

RXA0088132 -UN-29MAR06



RXA0088132

THIS PARTS LISTING IS CONTINUED

## 70-25

HYDRAULIC

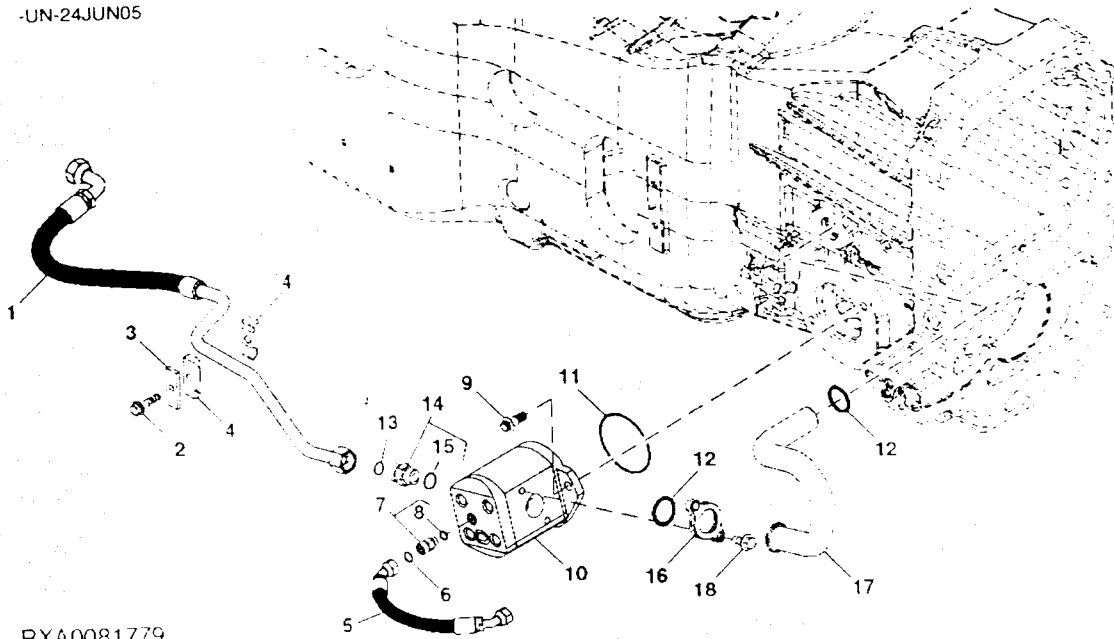
KEY	PART NO.	PART NAME	QTY.	TRACTOR SERIAL NO.	A L L	REMARKS
1	RE246232	HYDRAULIC HOSE	1		X	
2	T77613	O-RING	3		X	
3	38H5012	ADAPTER FITTING	1		X	
4	51M7043	O-RING	1		X	
5	38H5016	ELBOW FITTING	1		X	
6	51M7041	O-RING	1		X	
7	RE246231	OIL LINE	1		X	
8	38H5002	ADAPTER FITTING	1		X	
9	T77857	O-RING	2		X	
10	38H5017	ELBOW FITTING	1		X	
11	51M7043	O-RING	1		X	
12	RE246229	OIL LINE	1		X	
13	38H5009	ADAPTER FITTING	1		X	
14	RE251325	HOSE FITTING	1		X	
15	RE246230	OIL LINE	1		X	
16	RE254052	FITTING	1		X	
17	T77613	O-RING	1		X	

# 70-26

HYDRAULICS

TRANSMISSION PUMP AND LINES (PST)  
 POMPE ET CONDUITES DE TRANSMISSION (PST)  
 GETRIEBEPUMPE UND -LEITUNGEN (PST)  
 POMPA E TUBAZIONI DELLA TRASMISSIONE (PST)  
 BOMBA Y CONDUCTOS DE TRANSMISION (PST)  
 TRANSMISSIONSPUMP OCH -LEDNINGAR (PST)

RXA0081779 UN-24JUN05

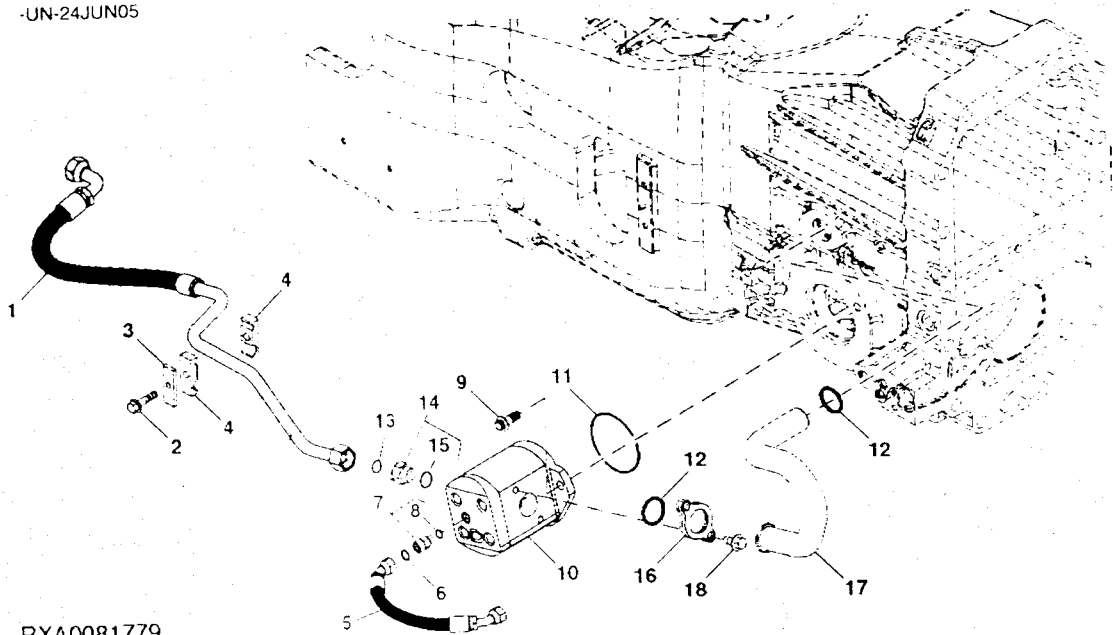


RXA0081779

KEY	PART NO.	PART NAME	QTY.	TRACTOR SERIAL NO.	REMARKS
				8 8 8	
				1 2 3	
				3 3 3	
				0 0 0	
1	RE232327	OIL LINE	1	X X X	
2	19M7805	SCREW	1	X X X	M10 X 45. HS 10.9
3	R221778	PLATE	1	X X X	
4	R221774	HALF CLAMP	2	X X X	
5	RE232328	HYDRAULIC HOSE	1	X X X	
6	T77857	O-RING	1	X X X	
7	38H5009	ADAPTER FITTING	1	X X X	
8	51M7041	O-RING	1	X X X	
9	R230667	SCREW	2	X X X	
10	RE235950	HYDRAULIC PUMP	1	X X X	
11	T42302	O-RING	1	X X X	
12	A4540R	O-RING	2	X X X	
13	T77858	O-RING	1	X X X	
14	38H5005	ADAPTER FITTING	1	X X X	23.600 X 2.900 M/M
15	51M7047	O-RING	1	X X X	
16	R235933	FLANGE	1	X X X	
17	R236189	OIL LINE	1	X X X	
18	19M7788	SCREW	2	X X X	M12 X 25. HS 10.9

TRANSMISSION PUMP AND LINES (PST)  
 POMPE ET CONDUITES DE TRANSMISSION (PST)  
 GETRIEBEPUMPE UND -LEITUNGEN (PST)  
 POMPA E TUBAZIONI DELLA TRASMISSIONE (PST)  
 BOMBA Y CONDUCTOS DE TRANSMISION (PST)  
 TRANSMISSIONSPUMP OCH -LEDNINGAR (PST)

RXA0081779 -UN-24JUN05

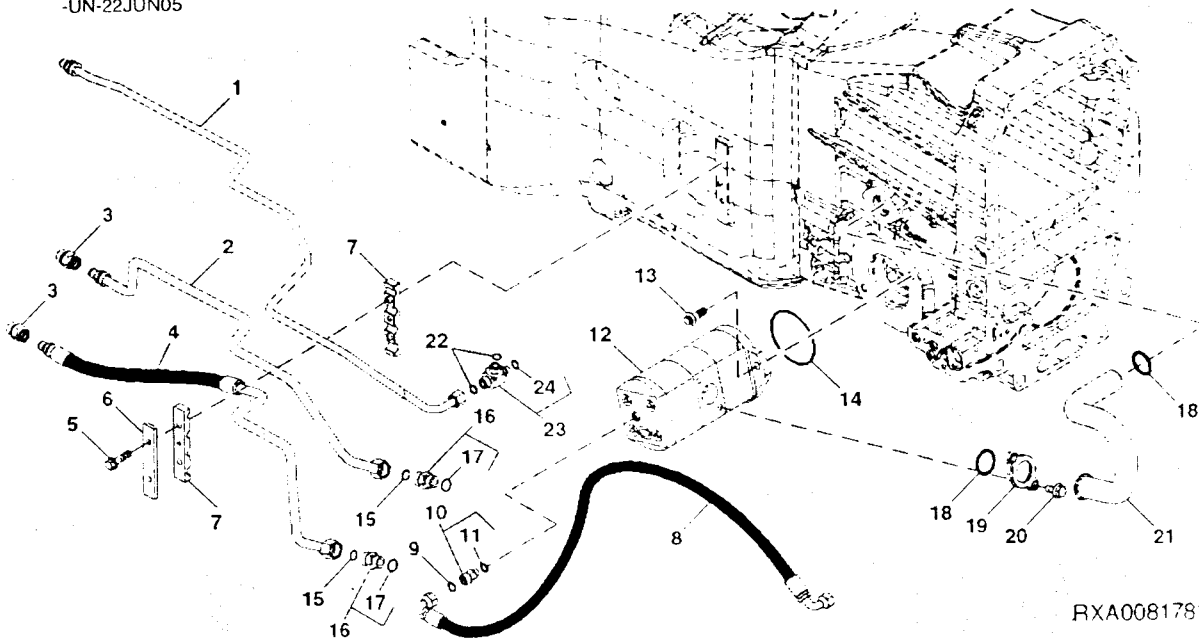


RXA0081779

KEY	PART NO.	PART NAME	QTY	TRACTOR SERIAL NO.	REMARKS
				8	
				4	
				3	
				0	
1	RE232327	OIL LINE	1		X
2	19M7805	SCREW	1		X M10 X 45. HS 10.9
3	R221778	PLATE	1		X
4	R221774	HALF CLAMP	2		X
5	RE232328	HYDRAULIC HOSE	1		X
6	T77857	O-RING	1		X
7	38H5009	ADAPTER FITTING	1		X
8	51M7041	O-RING	1		X
9	R230667	SCREW	2		X
10	RE235950	HYDRAULIC PUMP	1		X
11	T42302	O-RING	1		X
12	A4540R	O-RING	2		X
13	T77858	O-RING	1		X
14	38H5005	ADAPTER FITTING	1		X 23.600 X 2.900 MM
15	51M7047	O-RING	1		X
16	R235933	FLANGE	1		X
17	R236189	OIL LINE	1		X
18	19M7788	SCREW	2		X M12 X 25. HS 10.9

**TRANSMISSION PUMP AND LINES (IVT)**  
**POMPE ET CONDUITES DE TRANSMISSION (IVT)**  
**GETRIEBEPUMPE UND -LEITUNGEN (IVT)**  
**POMPA E TUBAZIONI DELLA TRASMISSIONE (IVT)**  
**BOMBA Y CONDUCTOS DE TRANSMISION (IVT)**  
**TRANSMISSIONSPUMP OCH -LEDNINGAR (IVT)**

RXA0081781 -UN-22JUN05

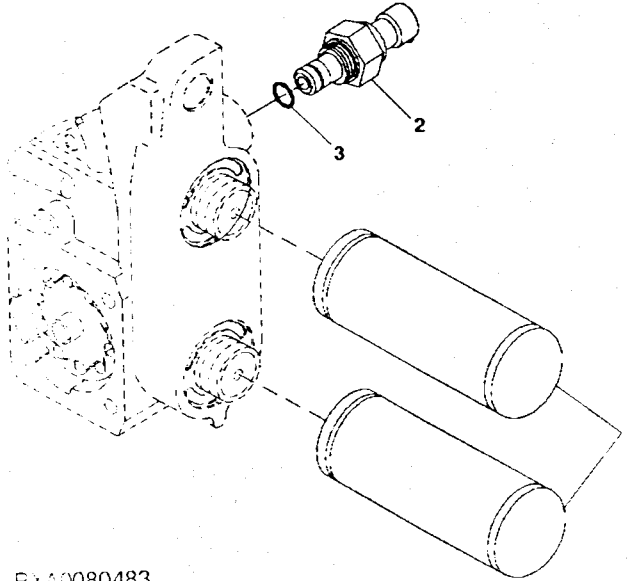


RXA0081781

KEY	PART NO.	PART NAME	QTY	TRACTOR SERIAL NO.	A L L	REMARKS
1	RE243537	OIL LINE	1		X	
2	RE243538	OIL LINE	1		X	HS 10.9
3	62M1020	ADAPTER FITTING	2		X	
4	RE243539	OIL LINE	2		X	M10 X 45. HS 10.9
5	19M7805	SCREW	2		X	
6	R221777	PLATE	1		X	
7	R221773	HALF CLAMP	2		X	
8	RE243531	HYDRAULIC HOSE	1		X	
9	T77857	O-RING	1		X	
10	38H5009	ADAPTER FITTING	1		X	
11	51M7041	O-RING	1		X	11.300 X 2.200 MM
12	RE235706	HYDRAULIC PUMP	1		X	
13	R230667	SCREW	2		X	
14	T42302	O-RING	2		X	
15	T77932	O-RING	2		X	
16	38H5004	ADAPTER FITTING	2		X	
17	51M7045	O-RING	2		X	19.300 X 2.200 MM
18	A4540R	O-RING	2		X	
19	R235933	FLANGE	1		X	
20	19M7788	SCREW	2		X	M12 X 25. HS 10.9
21	R236190	OIL LINE	1		X	
22	T77857	O-RING	2		X	
23	38H5065	TEE FITTING	1		X	
24	51M7041	O-RING	1		X	11.300 X 2.200 MM



HYDRAULIC OIL FILTER  
 FILTRE A HUILE HYDRAULIQUE  
 HYDRAULIKOELFILTER  
 FILTRO OLIO IDRAULICO  
 FILTRO P. ACEITE HIDRAULICO  
 HYDRAULOLJEFILTER  
 RXA0080483 -UN-03MAY05



RXA0080483

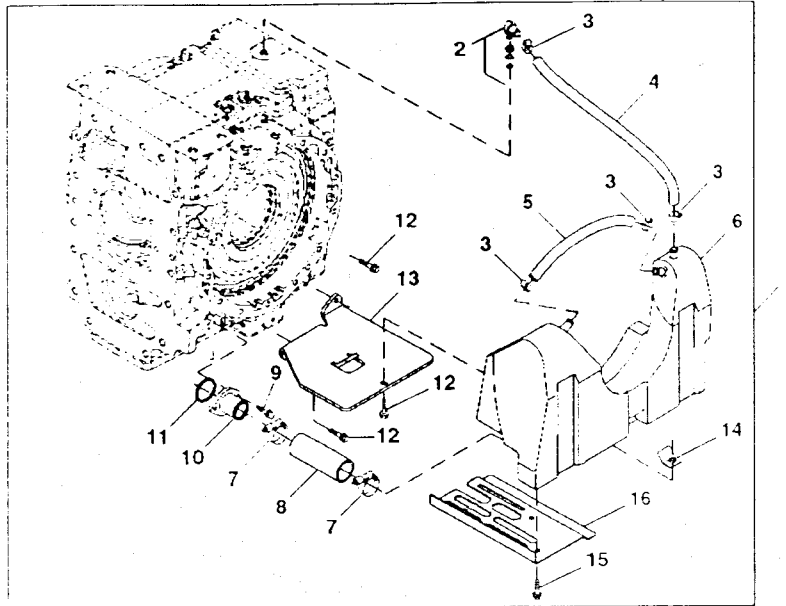
KEY	PART NO.	PART NAME	QTY.	TRACTOR SERIAL NO.	A L L	REMARKS
1	RE210857	OIL FILTER	2		X	
2	RE213144	SENSOR	1		X	
3	51M7043	O-RING	1		X	

# 70-30

HYDRAULICS

AUXILIARY RESERVOIR  
RESERVOIR AUXILIAIRE  
ZUSATZBEHAELTER  
SERBATOIO AUSILIARIO  
DEPOSITO AUXILIAR  
TILLSATSBEHAALLARE

RXA0086034 -UN-23JAN06

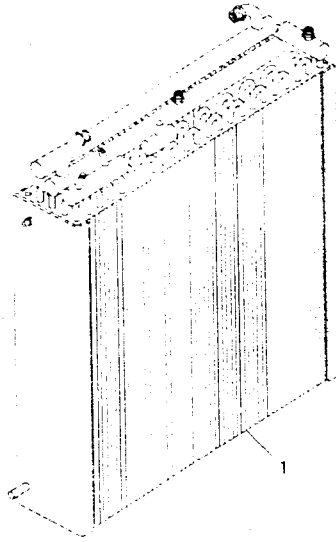


RXA0086034

KEY	PART NO.	PART NAME	QTY.	TRACTOR SERIAL NO.	A L L	REMARKS
1	AR255999	FIELD INSTALLATION KIT	1		X	(SUB FOR AR247858)
2	RE246866	ELBOW FITTING	1		X	
3	AT18904	CLAMP	4		X	
4	R246901	HYDRAULIC HOSE	1		X	
5	R246900	HYDRAULIC HOSE	1		X	
6	R255795	HYDRAULIC RESERVOIR	1		X	(SUB FOR R246570)
7	RE56098	CLAMP	2		X	
8	R245092	HOSE	1		X	
9	19M7866	SCREW	2		X	M8 X 20, HS 10.9
10	RE245993	FLANGE FITTING	1		X	
11	F1870R	O-RING	1		X	
12	19M7785	SCREW	4		X	M10 X 25, HS 10.9
13	R255801	PLATE	1		X	(SUB FOR R245084)
14	RE255802	CLAMP	1		X	(SUB FOR RE245908)
15	19M7866	SCREW	3		X	M8 X 20
16	R255799	SHIELD	1		X	

HYDRAULIC OIL COOLER  
 REFROIDISSEUR D'HUILE  
 OELKUEHLER  
 RADIATORE ALIO  
 REFRIGERADOR DE ACEITE  
 OLJEKYLARE

RXA0080661 -UN-04MAY05

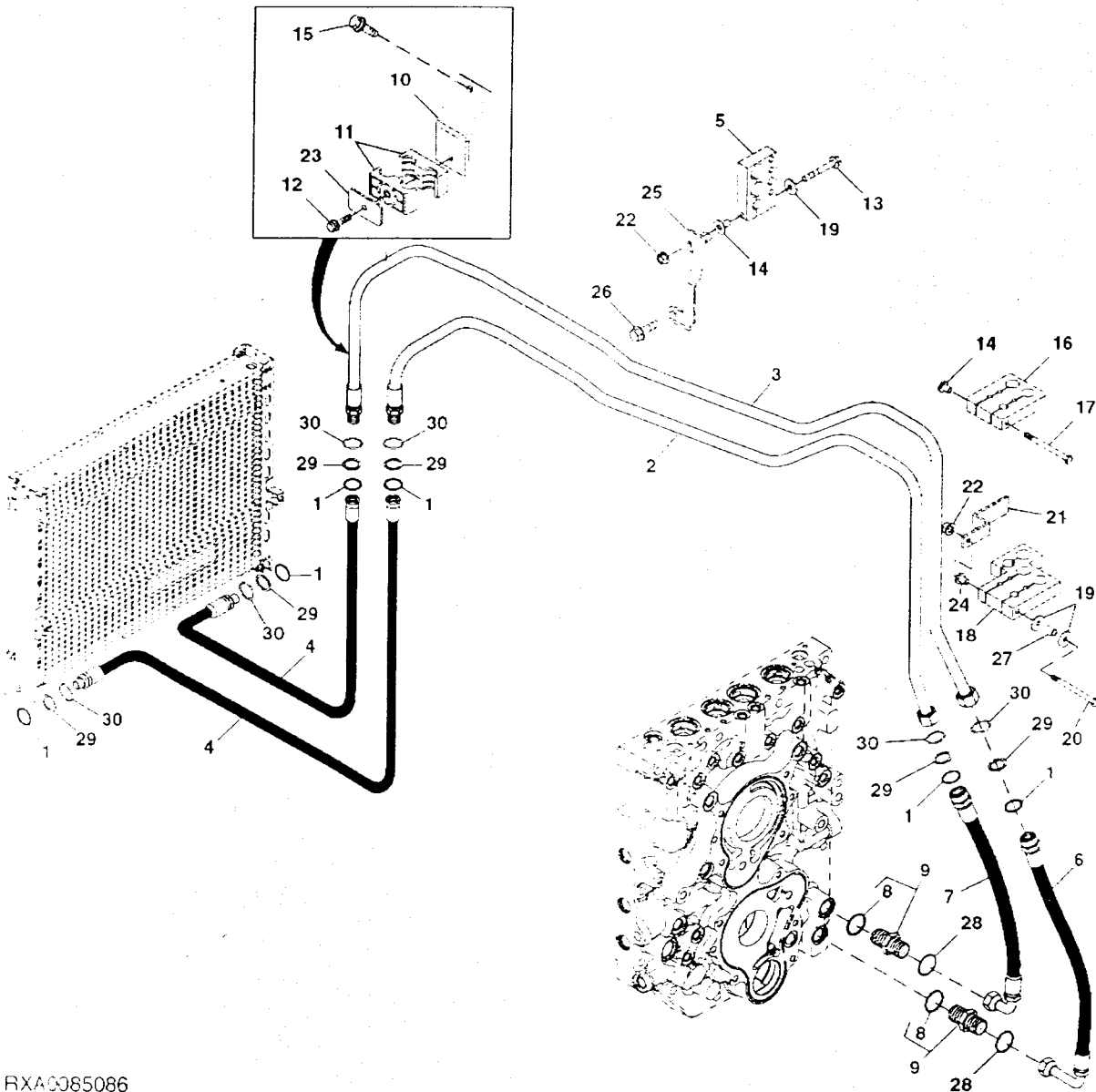


RXA0080661

KEY	PART NO.	PART NAME	QTY.	TRACTOR SERIAL NO	A L L	REMARKS
1	RE222984	MODULE	1		X	

HYDRAULIC OIL COOLER LINES  
CONDUITES DE REFRROIDISSEUR D'HUILE HYDRAULIQUE  
HYDRAULIKOELKUEHLER-LEITUNGEN  
TUBI DEL REFRIGERANTE OLIO IDRAULICO  
LINEAS DEL ENFRIADOR DE ACEITE HIDRAULICO  
LEDNINGAR FOER HYDRAULOLJEKYLARE

RXA0085086 -UN-18NOV05



RXA0085086

THIS PARTS LISTING IS CONTINUED

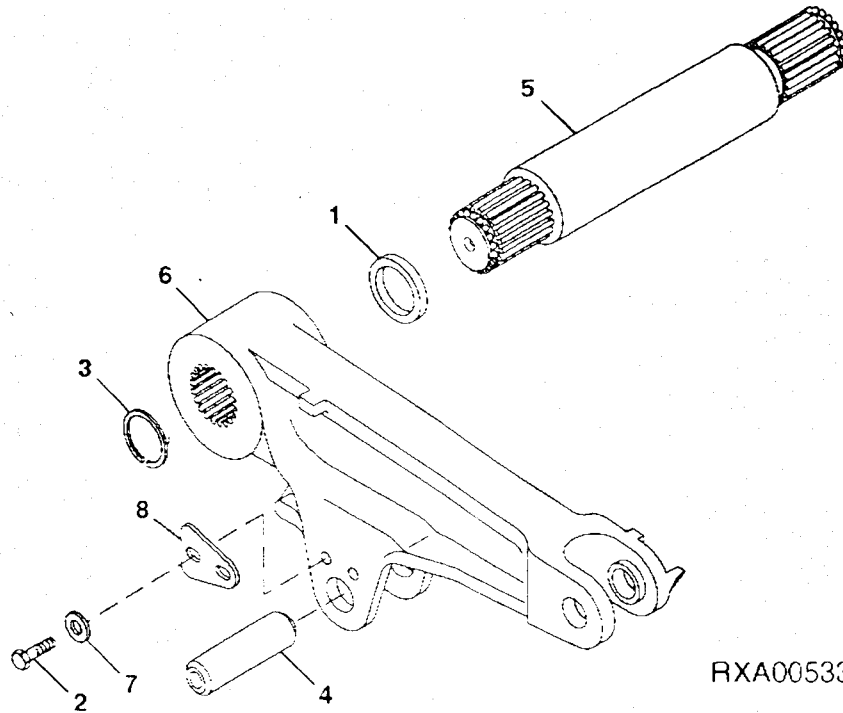
KEY	PART NO.	PART NAME	QTY.	TRACTOR SERIAL NO.	A L L	REMARKS
1	R223852	O-RING	6		X	(STC -12)
2	RE246024	OIL LINE	1		X	(A)
3	RE246025	OIL LINE	1		X	(B)
4	RE220206	HYDRAULIC HOSE	2		X	(STC)
5	R233223	CLAMP	3		X	
6	RE215918	HYDRAULIC HOSE	1		X	(A) (IVT) (STC)
	RE215921	HYDRAULIC HOSE	1		X	(A) (SUB RE254365) (PST) (STC)
	RE215917	HYDRAULIC HOSE	1		X	(B) (IVT) (STC)
	RE215920	HYDRAULIC HOSE	1		X	(B) (PST) (STC)
8	51M7045	O-RING	2		X	19.300 X 2.200 MM
9	38H5121	ADAPTER FITTING	2		X	
10	R221779	PLATE	1		X	
11	H115379	CLAMP	2		X	
12	21M7473	SCREW	3		X	M8 X 50, HS 10.9
13	19M8403	CAP SCREW	1		X	M8 X 75
14	R187365	NUT	5		X	HS 10.9
15	21M7442	SCREW	1		X	
16	R235763	CLAMP	2		X	
17	19M8039	SCREW	2		X	M8 X 80
18	R233224	CLAMP	1		X	
19	24M7024	WASHER	4		X	9 X 28 X 3 MM
20	19M7750	CAP SCREW	1		X	M8 X 110
21	R243501	CLAMP	1		X	
22	14M7298	FLANGE NUT	2		X	M8
23	H112567	PLATE	1		X	
24	R187365	NUT	1		X	
25	R249747	BRACKET	1		X	
26	19M7865	SCREW	1		X	M8 X 16, HS 10.9
27	28H3376	SPACER	1		X	
28	T77858	O-RING	2		X	
29	R223859	BACK-UP RING	6		X	(STC -12)
30	R223863	RING	6		X	(STC -12)

A PRESSURE  
 PRESSION  
 DRUCK  
 PRESSIONE  
 PRESION  
 TRUCK

B, RETURN  
 RETOUR  
 RUECKLAUF  
 RITORNO  
 RETORNO  
 RETUR

ROCKSHAFT / LIFT ARMS  
 ARBRE DE RELEVAGE / BRAS DE RELEVAGE  
 MIT KRAFTHEBER / HUBARME  
 EJE OSCILANTE / BRACCI  
 ALBERO OSCILLANTE / BRAZOS DE ELEVACION  
 LYFTARMSAXEL / LYFTARMAR

RXA0053304 -UN-18MAY01



RXA0053304

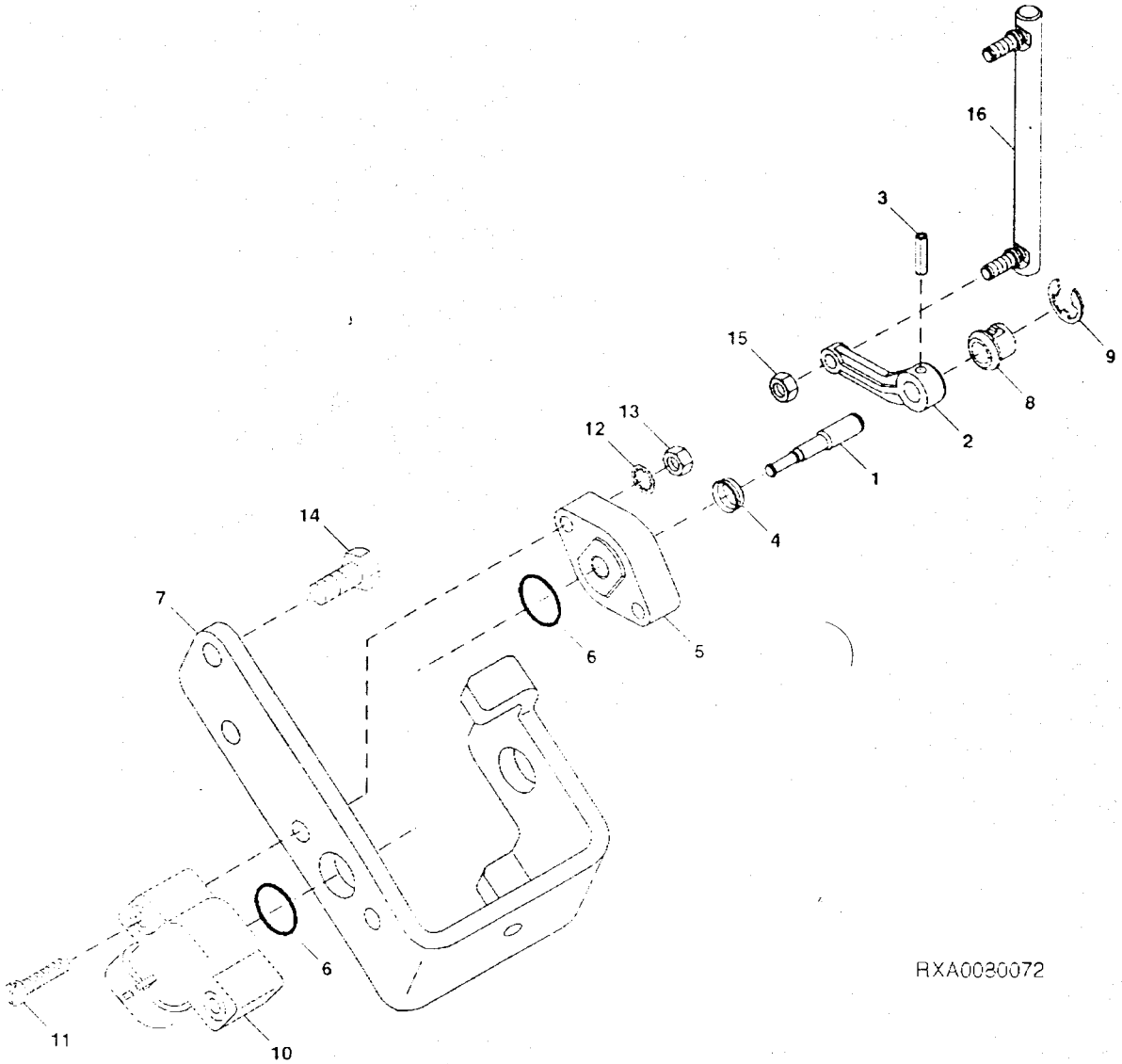
KEY	PART NO	PART NAME	QTY	TRACTOR SERIAL NO	A		REMARKS
					L	L	
1	R135001	SEAL	2		X		
2	19M8011	CAP SCREW	2		X		M12 X 30, HS 10.9
3	R53658	SNAP RING	2		X		
4	R219905	PIN	2		X		(SUB R257687)
5	R134705	ROCKSHAFT	1		X		(SUB R246531, THIS APPLICATION)
6	R218918	LIFT ARM	1		X		R.H.
	R218917	LIFT ARM	1		X		L.H.
7	24M7240	WASHER	2		X		13 X 25 X 3 MM
8	R177496	PLATE	2		X		

# 70-36

HYDRAULICS

ROCKSHAFT POSITION SENSOR  
CAPTEUR DE POSITION DE L'ARBRE DE RELEVAGE  
REGELHYDRAULIKSTELLUNG-MESSWERTGEBER  
SENSORE DI POSIZIONE DELL'ALBERO OSCILLANTE  
SENSOR DE POSICION DEL EJE OSCILANTE  
POSITIONSGIVARE FOER LYFTARMSAXEL

RXA0080072 UN-01APR05



RXA0080072

# 70-37

HYDRAULICS

KEY	PART NO.	PART NAME	QTY.	TRACTOR SERIAL NO.	A L L	REMARKS
1	R111692	SHAFT	1		X	
2	R40915	LEVER	1		X	
3	R56504	SPRING PIN	1		X	
4	R112679	SEAL	1		X	
5	R86457	SUPPORT	1		X	
6	P48347	O-RING	2		X	
7	R111691	BRACKET	1		X	
8	R41076	GROMMET	1		X	
9	R26871	SNAP RING	1		X	
10	RE232603	SENSOR	1		X	
11	21H1390	SCREW	2		X	0.190" X 1-3/4"
12	12M7060	WASHER	2		X	5.300 MM
13	14H631	NUT	2		X	0.190"
14	19M7932	CAP SCREW	2		X	M8 X 16, HS 10.9
15	14H860	NUT	1		X	1/4"
16	RE54029	TIE ROD ASSEMBLY	1		X	

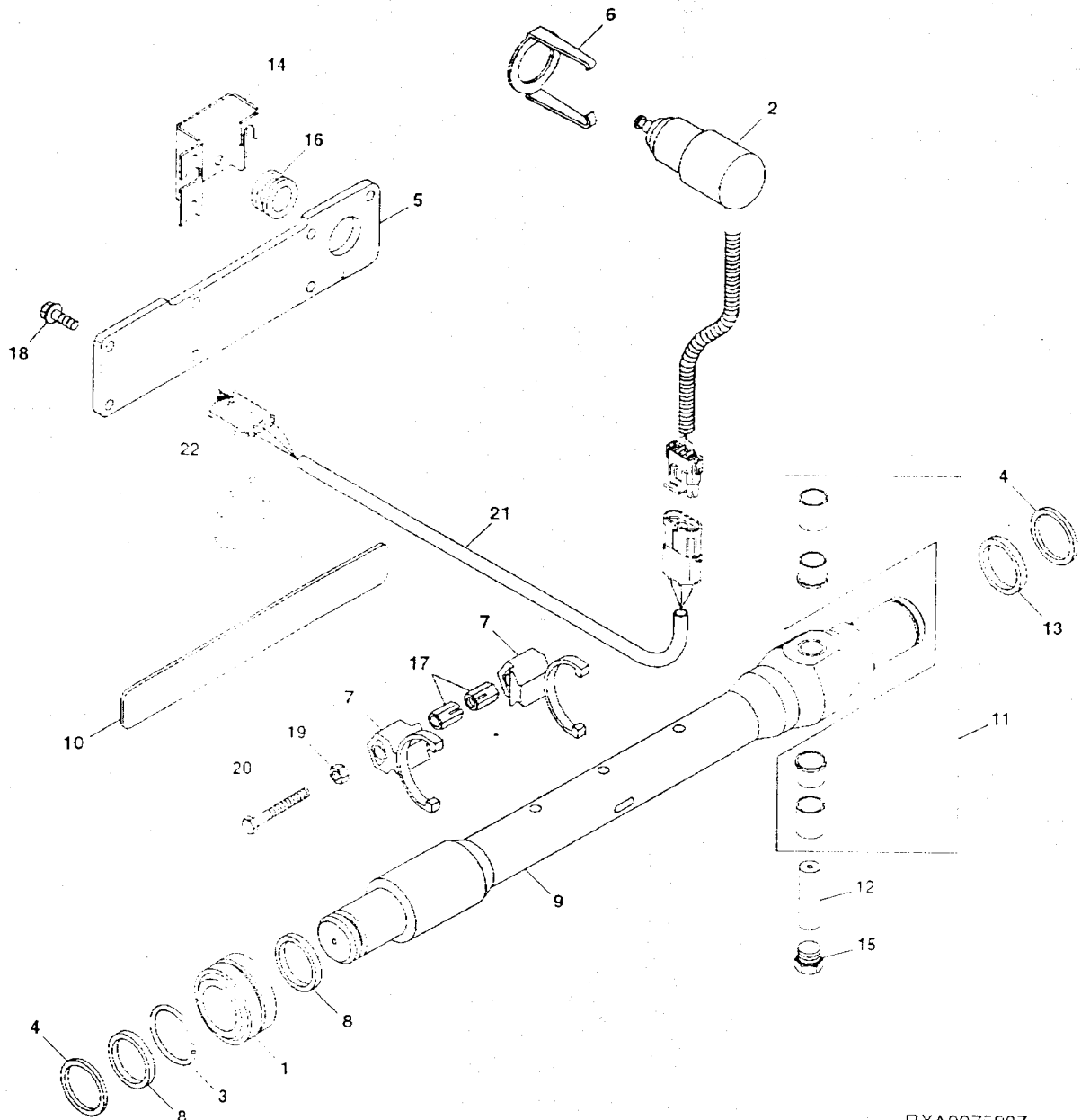


# 70-38

HYDRAULICS

DRAFT LINK SUPPORT  
SUPPORT DE BARRE DE TRACTION  
UNTERLENKERSTUETZE  
SUPPORTO DEL TIRANTE DI TRAZIONE  
SOPORTE DEL BRAZO DE TIRO  
DRAGARMSSTOED

RXA0075837 -UN-28JUN04



RXA0075837

KEY	PART NO.	PART NAME	QTY.	AXLE SERIAL NO.	A L L	REMARKS
1	AT128774	SELF-ALIGNING BUSHING	1		X	
2	RE234530	SENSOR WIRING HARNESS	1		X	
3	40M1873	SNAP RING	1		X	
4	R107316	ROUND RETAINER	2		X	
5	R160281	COVER	1		X	
6	R107491	CLIP	1		X	
7	R107495	CLIP	2		X	
8	R107657	SEAL	2		X	
9	R171692	HITCH DRAFT SENSOR	1		X	
10	R108303	REINFORCEMENT	1		X	
11	RE68295	SHAFT	1		X	
12	R108305	PIN	1		X	
13	R108306	SEAL	1		X	(SUB R243714)
14	R126408	COVER	1		X	
15	R133691	DRAIN PLUG	1		X	
16	R120048	GROMMET	1		X (A)	
	R111792	PLUG	2		X	
17	R132852	NUT	7		X	M10 X 16, HS 10.9
18	19M7783	SCREW	1		X	M8
19	14M7273	NUT	1		X	M8 X 30, HS 10.9
20	19M7513	CAP SCREW	1		X	
21	RE234530	SENSOR WIRING HARNESS	1		X	
22	R44302	TIE BAND	1		X	
	RE62967	ADHESIVE	1		X	

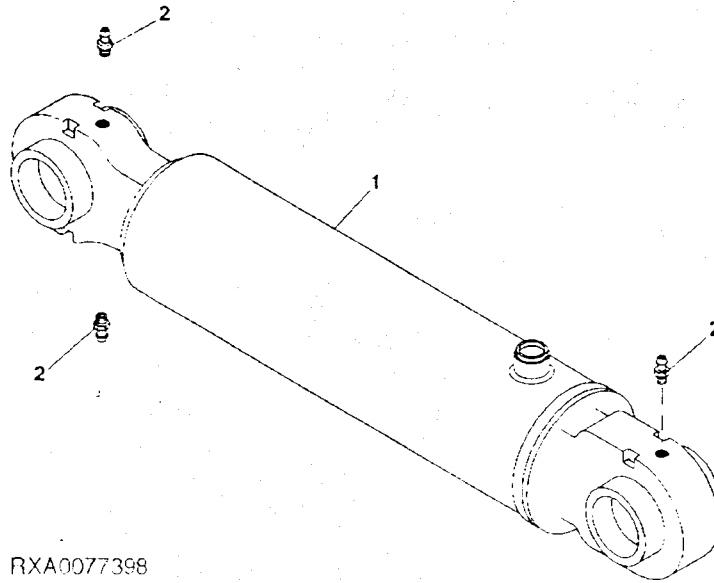
(A) W/O HITCH  
W/O ATTELAGE  
W/O ANHAENGEVORRICHTUNG  
W/O GANCIO  
W/O ENGANCHE  
W/O DRAG

# 70-40

HYDRAULICS

LIFT CYLINDER  
 VERIN DE RELEVAGE  
 HUBZYLINDER  
 CILINDRO DI SOLLEVAMENTO  
 CILINDRO ELEVADOR  
 LYFTCYLINDER

RXA0077398 -UN-07SEP04



RXA0077398

KEY	PART NO.	PART NAME	QTY.	TRACTOR SERIAL NO.	REMARKS
				8 8 8	
				1 2 3	
				3 3 3	
				0 0 0	
1	RE232428	HYDRAULIC CYLINDER	1	X X X	(A) (B) 90 MM
	RE232429	HYDRAULIC CYLINDER	1	X X X	(B) 100 MM
	RE243298	HYDRAULIC CYLINDER	1	X X X	112 MM
2	JD7798	LUBRICATION FITTING	3	X X X	

(A) NORTH AMERICAN VERSION  
 VERSION NORD AMERICAINE  
 NORDAMERIKANISCHE AUSFUEHRUNG  
 VERSIONE NORDAMERICANA  
 VERSION NORTEAMERICANA  
 NORDAMERIKANSK VERSION

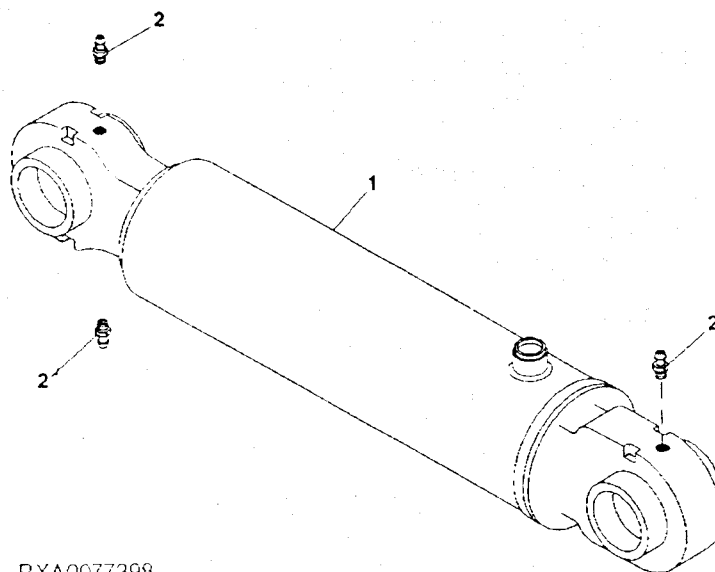
(B) CATEGORY III  
 CATEGORIE III  
 KATEGORIE III  
 CATEGORIA III  
 CATEGORIA III  
 KATEGORI III

# 70-41

HYDRAULIC

LIFT CYLINDER  
 VERIN DE RELEVAGE  
 HUBZYLINDER  
 CILINDRO DI SOLLEVAMENTO  
 CILINDRO ELEVADOR  
 LYFTCYLINDER

RXA0077398 -UN-07SEP04



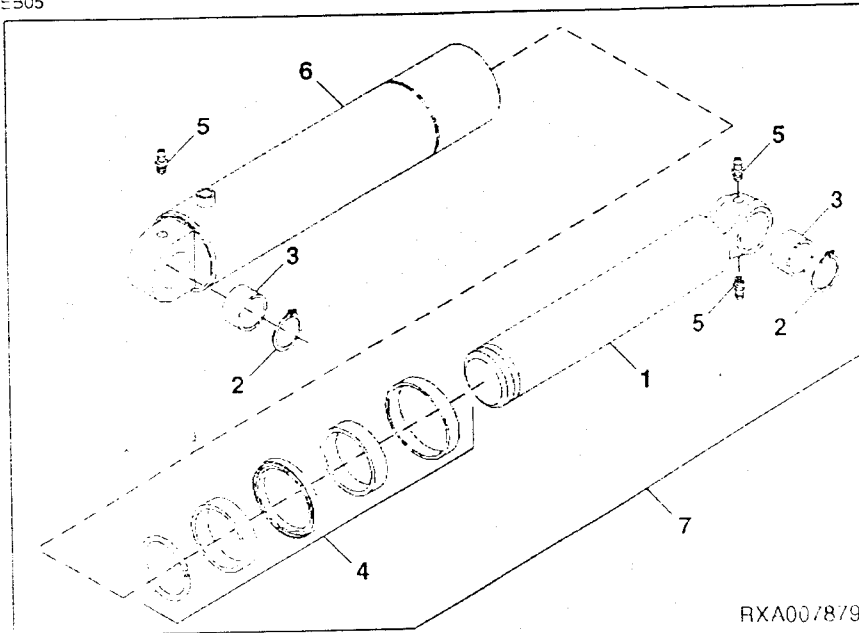
RXA0077398

KEY	PART NO.	PART NAME	QTY.	TRACTOR SERIAL NO.	REMARKS
1	RE232429	HYDRAULIC CYLINDER	1	8 8	(A) 100 MM
	RE243298	HYDRAULIC CYLINDER	1	4 5	X X 112 MM
2	JD7798	LUBRICATION FITTING	3	3 3	X X
				0 :	

(A) CATEGORY III  
 CATEGORIE III  
 KATEGORIE III  
 CATEGORIA III  
 CATEGORIA III  
 KATEGORI III

LIFT CYLINDER (90 MM)  
 VERIN DE RELEVAGE (90 MM)  
 HUBZYLINDER (90 MM)  
 CILINDRO DI SOLLEVAMENTO (90 MM)  
 CILINDRO DE ELEVACION (90 MM)  
 LYFTCYLINDER (90 MM)

RXA0078798 UN-01FEB05



RXA0078798

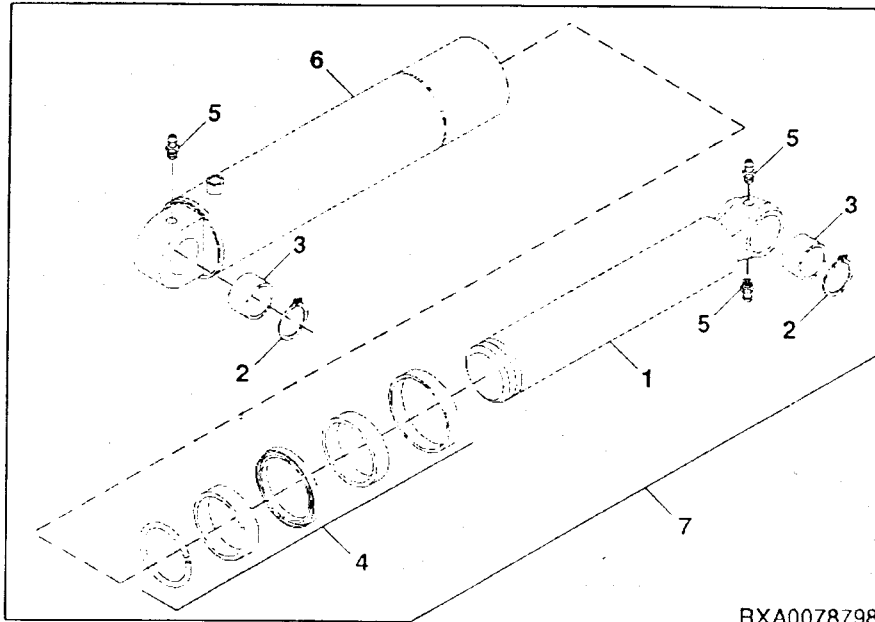
KEY	PART NO.	PART NAME	QTY.	TRACTOR SERIAL NO.	REMARKS
				8 8 8	
				1 2 3	
				3 3 3	
				0 0 0	
1	.....	ROD	1	X X X	
2	H211934	SNAP RING	2	X X X	
3	AH208773	BUSHING	2	X X X	
4	AH214612	HYDRAULIC CYLINDER KIT	1	X X X	
5	JD7798	LUBRICATION FITTING	3	X X X	
6	.....	HYDRAULIC CYLINDER BARREL	1	X X X	
7	RE232428	HYDRAULIC CYLINDER	2	X X X	

# 70-44

HYDRAULICS

LIFT CYLINDER (100 MM)  
 VERIN DE RELEVAGE (100 MM)  
 HUBZYLINDER (100 MM)  
 CILINDRO DI SOLLEVAMENTO (100 MM)  
 CILINDRO DE ELEVACION (100 MM)  
 LYFTCYLINDER (100 MM)

RXA0078798 -UN-01FEB05



RXA0078798

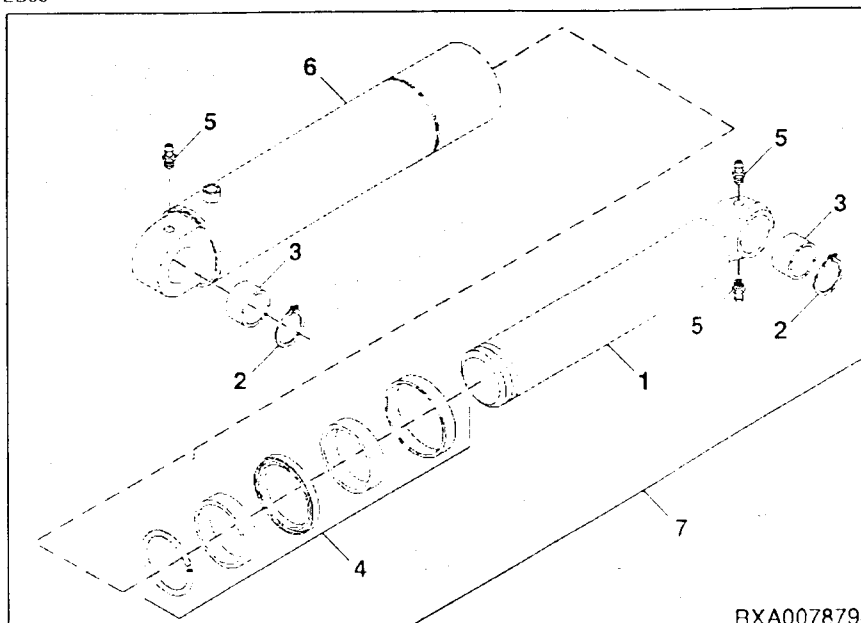
KEY	PART NO.	PART NAME	QTY.	TRACTOR SERIAL NO.	A L L	REMARKS
1	.....	ROD	1		X	
2	H211934	SNAP RING	2		X	
3	AH208773	BUSHING	2		X	
4	AH214615	HYDRAULIC CYLINDER KIT	1		X	
	AH151508	SEAL	1		X	
5	JD7798	LUBRICATION FITTING	3		X	
6	.....	HYDRAULIC CYLINDER BARREL	1		X	
7	RE232429	HYDRAULIC CYLINDER	2		X	

# 70-45

HYDRAULICS

LIFT CYLINDER (112 MM)  
 VERIN DE RELEVAGE (112 MM)  
 HUBZYLINDER (112 MM)  
 CILINDRO DI SOLLEVAMENTO (112 MM)  
 CILINDRO DE ELEVACION (112 MM)  
 LYFTCYLINDER (112 MM)

RXA0078798 UN-01FEB05



RXA0078798

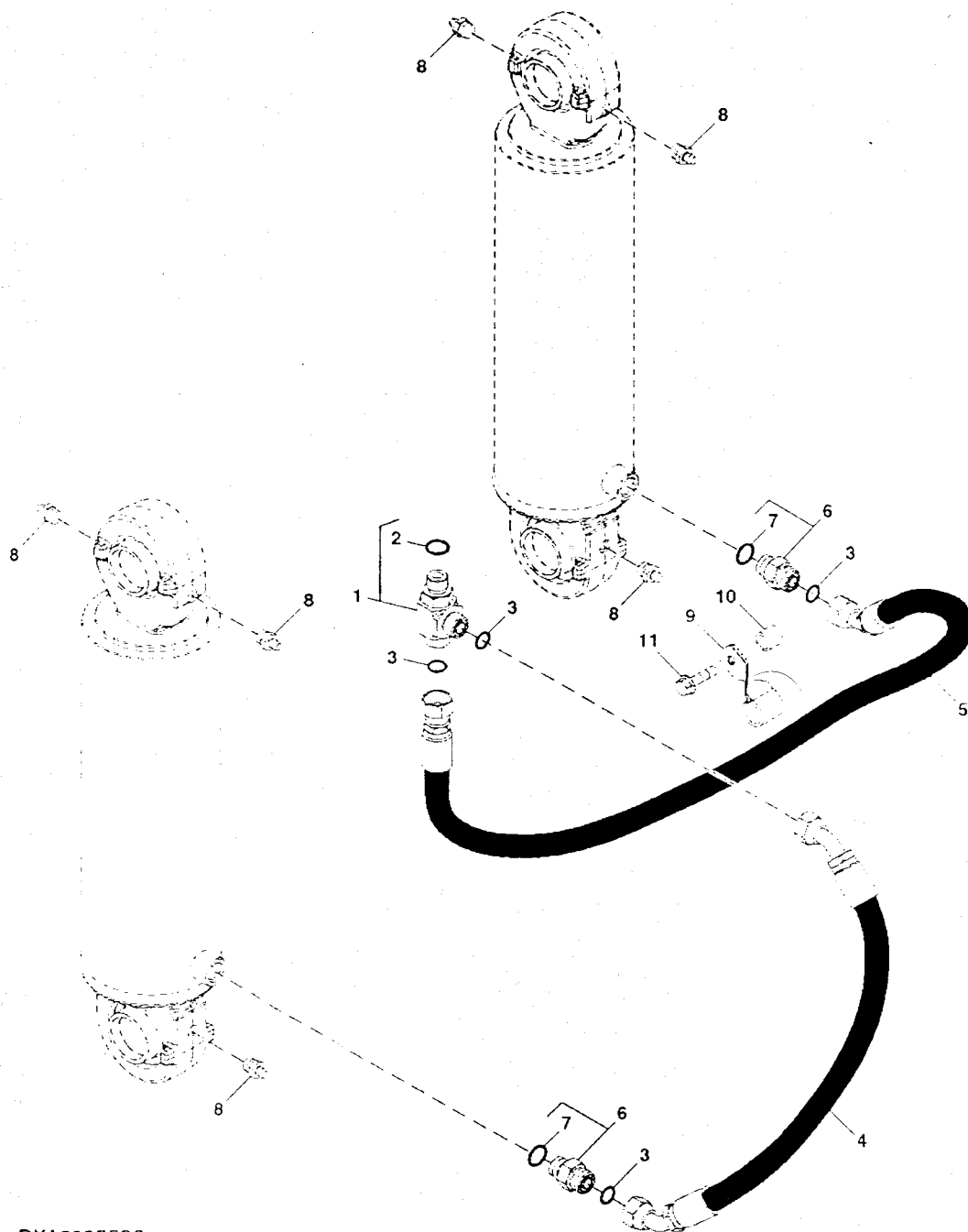
KEY	PART NO.	PART NAME	QTY.	TRACTOR SERIAL NO.	A L L	REMARKS
1	.....	ROD	1		X	
2	H211934	SNAP RING	2		X	
3	AH208773	BUSHING	2		X	
4	AH216634	HYDRAULIC CYLINDER KIT	1		X	
5	JD7798	LUBRICATION FITTING	3		X	
6	.....	HYDRAULIC CYLINDER BARREL	1		X	
7	RE243298	HYDRAULIC CYLINDER	2		X	

# 70-46

HYDRAULICS

LIFT CYLINDER LINES  
CONDUITES DE VERIN DE RELEVAGE  
HUBZYLINDERLEITUNGEN  
TUBI DEL CILINDRO DI SOLLEVAMENTO  
LINEAS DEL CILINDRO DE ELEVACION  
LYFTCYLINDERLEDNINGAR

RXA0085586 -UN-20DEC05



RXA0085586



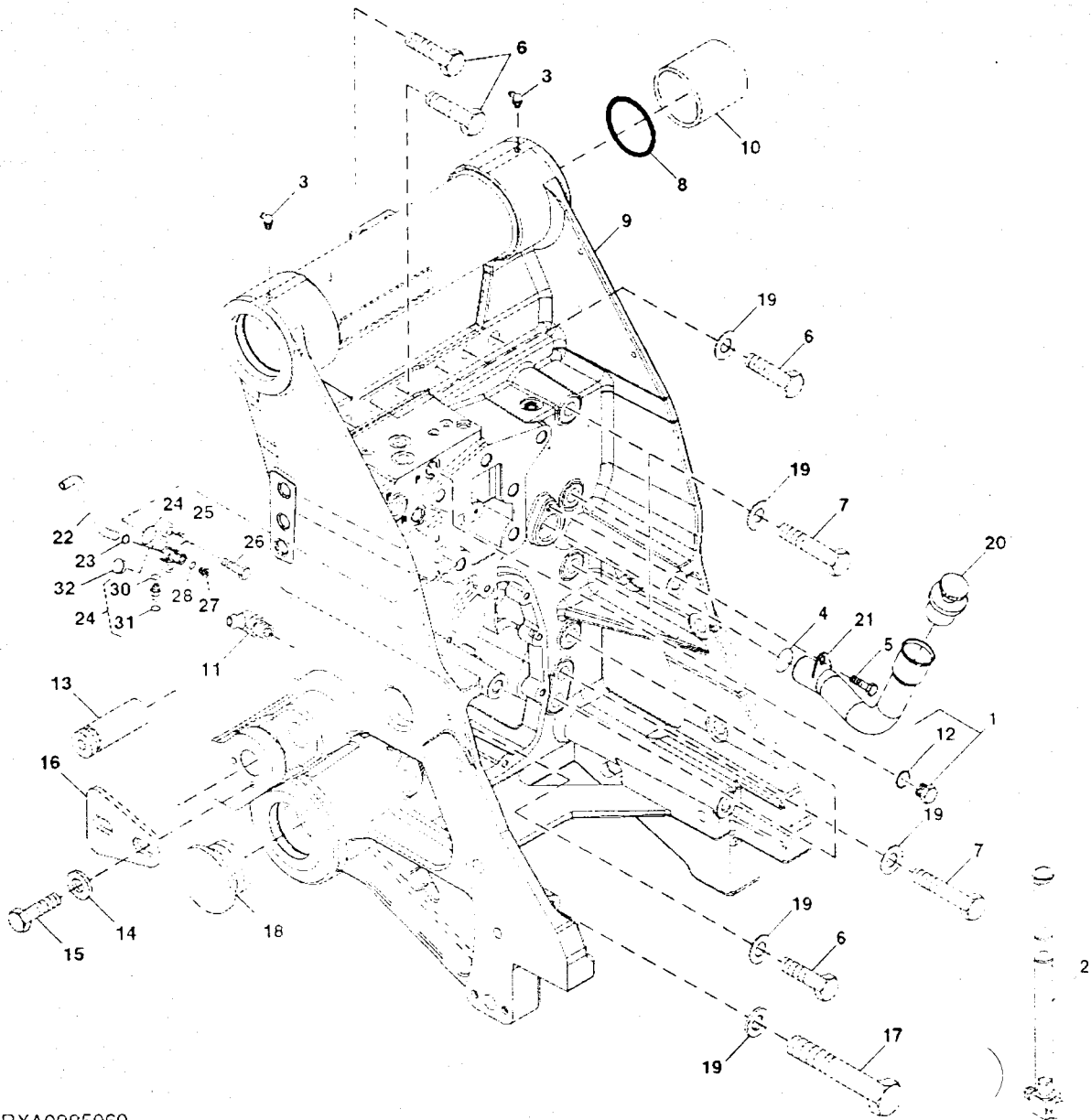
# 70-47

HYDRAULICS

KEY	PART NO.	PART NAME	QTY.	TRACTOR SERIAL NO.	A L L	REMARKS
1	38H5040	TEE FITTING	1		X	
2	R26375	O-RING	1		X	
3	T77857	O-RING	4		X	
4	RE215915	HYDRAULIC HOSE	1		X	
5	RE215916	HYDRAULIC HOSE	1		X	
6	38H5003	ADAPTER FITTING	2		X	
7	51M7043	O-RING	1		X	15.300 X 2.200 MM
8	JD7798	LUBRICATION FITTING	6		X	
9	R192716	CLAMP	1		X	
10	28H3381	SPACER	1		X	
11	19M7868	SCREW	1		X	M8 X 30

HITCH FRAME  
BATI D'ATTELAGE  
RAHMEN DER ANHAENGEVORRICHTUNG  
TELAIO DEL SOLLEVATORE  
BASTIDOR DEL ENGANCHE  
LYFTRAM

RXA0085060 -UN-22NOV05



RXA0085060

THIS PARTS LISTING IS CONTINUED

## 70-49

HYDRAULICS

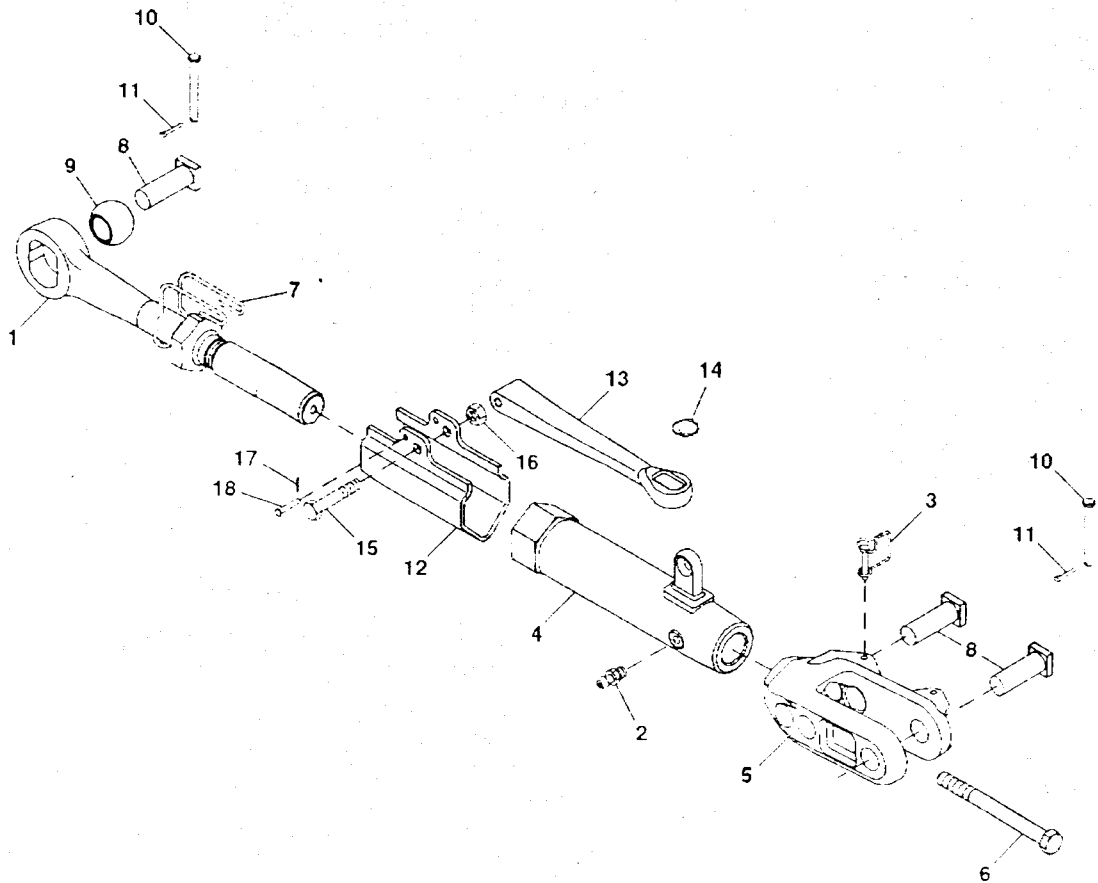
KEY	PART NO.	PART NAME	QTY	AXLE SERIAL NO.	A L L	REMARKS
1	RE46687	DRAIN PLUG	3		X	
2	RE244365	LEVEL GAUGE	1		X	
3	JD7799	LUBRICATION FITTING	2		X	
4	R30319	O-RING	1		X	
5	19M7784	SCREW	1		X	M10 X 20
6	19M9134	CAP SCREW	7		X	M20 X 80, HS 10.9
7	19M9144	CAP SCREW	12		X	M20 X 180, HS 10.9
8	R135000	PACKING	2		X	
9	RE222163	FRAME	1		X	
10	R107755	BUSHING	2		X	
11	JD7799	LUBRICATION FITTING	4		X	
	N158796	PLUG	1		X	(A)
12	51M7045	O-RING	3		X	19.300 X 2.200 MM
13	R219905	PIN FASTENER	2		X	(SUB R257687)
14	24M7240	WASHER	2		X	13 X 25 X 3 MM
15	19M8011	CAP SCREW	2		X	M12 X 30, HS 10.9
16	R177496	PLATE	2		X	
17	19M9136	CAP SCREW	1		X	M20 X 110, HS 10.9
18	R111793	PLUG	1		X	(A) R.H.
	R111794	PLUG	1		X	(A) L.H.
19	24M7242	WASHER	17		X	21.400 X 42 X 5 MM
20	RE28429	FILLER CAP	1		X	HS 10.9
21	RE60349	OIL TUBE	1		X	
22	R244465	OIL LINE	1		X	
23	B2762R	O-RING	1		X	
24	U10289	O-RING	1		X	
25	RE245807	MANIFOLD	1		X	
26	19M7785	SCREW	2		X	M10 X 25, HS 10.9
27	R116115	FITTING	1		X	
28	51M7045	O-RING	1		X	19.300 X 2.200 MM
29	RE244371	FITTING	1		X	
30	51M7039	O-RING	1		X	8.100 X 1.600 MM
31	T42426	O-RING	1		X	
32	R245809	PLUG	1		X	(A)
	TY16021	SEALANT	1		X	

(A) W/O HITCH  
W/O ATTELAGE  
W/O ANHAENGEVORRICHTUNG  
W/O GANCIO  
W/O ENGANCHE  
W/O DRAG

# 70-50

LIFT LINKS (CATEGORY III AND CATEGORY IVN)  
BIELLES DE RELEVAGE (CATEGORIE III ET CATEGORIE IVN)  
HUBSPINDELN (KATEGORIE III UND KATEGORIE IVN)  
TIRANTI DI SOLLEVAMENTO (CATEGORIA III E CATEGORIA IVN)  
BRAZOS DE ELEVACION (CATEGORIA III Y CATEGORIA IVN)  
LYFTARMAR (KATEGORI III OCH KATEGORI IVN)

RXA0080069 -UN-05JUL05



RXA0080069

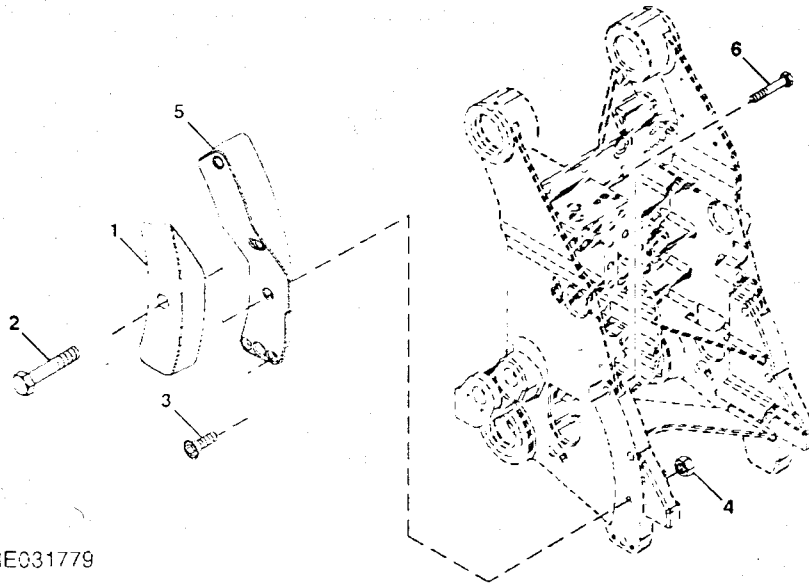
## 70-51

HYDRAULIC

KEY	PART NO.	PART NAME	QTY.	TRACTOR SERIAL NO.	A L L	REMARKS
1	RE168771	LIFT LINK	1		X	
2	JD7798	LUBRICATION FITTING	1		X	
3	RE170757	QUICK LOCK PIN	2		X	
4	R179372	LINK BODY	1		X	
5	R163716	YOKE	1		X	
6	R219890	BOLT	1		X	
7	R202225	HOLD-DOWN CLIP	1		X	
8	R169163	PIN	3		X	
9	R107278	BALL	1		X	
10	M134056	PIN FASTENER	2		X	
11	11M7079	COTTER PIN	2		X	2.500 X 12 MM
12	R236775	LOCKING COLLAR	1		X	
13	R200878	HANDLE	1		X	
14	R80436	RING	AR		X	
15	19M7214	CAP SCREW	1		X	M12 X 70
16	14M7319	LOCK NUT	1		X	M12
17	11M7079	COTTER PIN	1		X	2.500 X 12 MM
18	R29340	PIN FASTENER	1		X	

SWAY BLOCK  
 CALE STABILISATRICE  
 STABILISIERUNGSANSCHLAG  
 BLOCCO STABILIZZATORE  
 BLOQUE ESTABILIZADOR  
 STABILISERINGSBLOCK

RE031779 -UN-20JUN00



RE031779

KEY	PART NO.	PART NAME	QTY	TRACTOR SERIAL NO.	A	REMARKS
					L	
1	R207665	SWAY BLOCK	1		X R.H.	
	R207666	SWAY BLOCK	1		X L.H.	
2	19M7952	CAP SCREW	2		X M16 X 160	
3	R134232	SELF-LOCKING SCREW	4		X	
4	14M7328	LOCK NUT	2		X M16	
5	R210605	SWAY BLOCK	1		X R.H.	
	R210604	SWAY BLOCK	1		X L.H.	
6	19M7611	CAP SCREW	4		X M20 X 45	

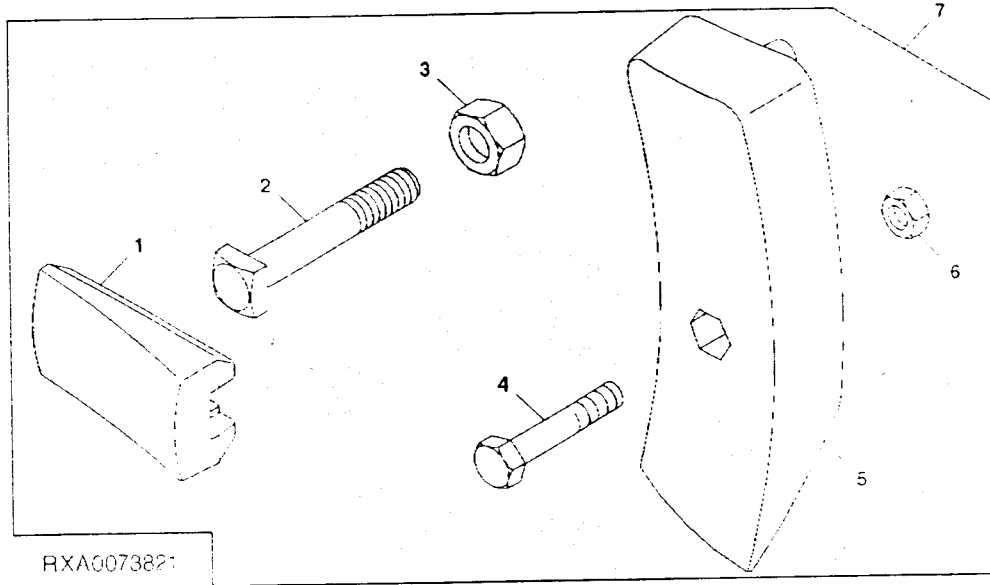
# 70-54

HYDRAULICS

**DRAFT LINK BUMPER AND SWAY BLOCK (HEAVY DUTY KIT)**  
**BUTOIR DE TIRANT ET CALE STABILISATRICE (POUR SERVICE SEV'RE)**  
**UNTERLENKERPUFFER UND STABILISIERUNGSANSCHLAG (SCHWERE AUSFUEHRUNG)**  
**PARAURTI PARALLELE E BLOCCO STABILIZZATORE (PER SERVIZIO PESANTE)**  
**PARACHOQUES Y BLOQUE DE OSCILACION DE ESLABON DE TIRO (SERVICIO SEVERO)**  
**DRAGARMSBUFFERT OCH STABILISERINGSBLOCK (EXTRA KRAFTIG)**

RXA0073821

-UN-05MAR04

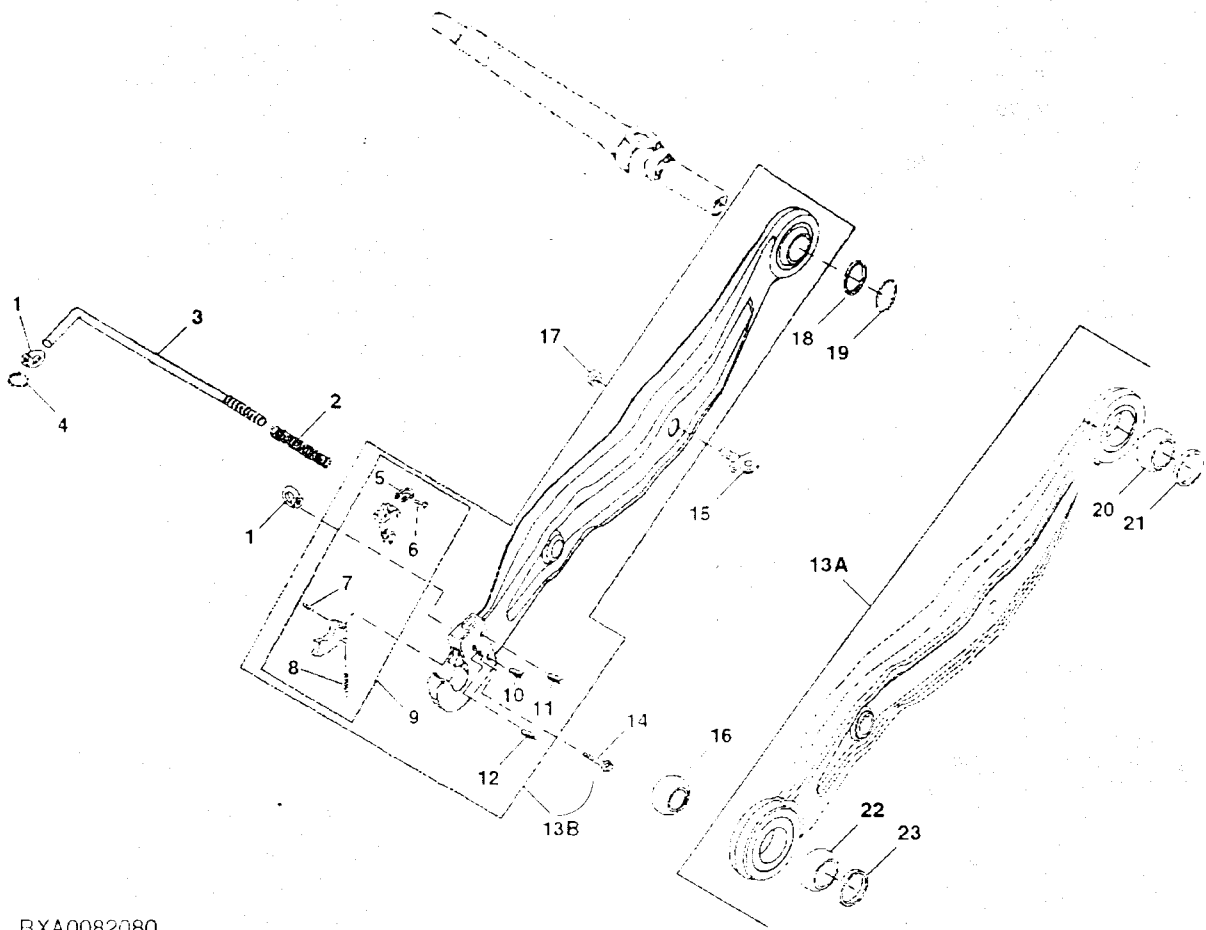


RXA0073821

KEY	PART NO.	PART NAME	QTY.	TRACTOR SERIAL NO.	A L L	REMARKS
1	R207661	BUMPER	2		X	
2	R174703	BOLT	2		X	
3	14M7554	LOCK NUT	2		X	M20
4	19M6824	CAP SCREW	2		X	M16 X 120
5	R207665	SWAY BLOCK	1		X	RH
	R207666	SWAY BLOCK	1		X	LH
6	14M7328	LOCK NUT	2		X	M16
7	RE223545	KIT	1		X	

DRAFT LINKS  
BARRES DE TRACTION  
UNTERLENKER  
TIRANTI DI TRAZIONE  
BRAZOS DE TIRO  
DRAGARMAR

RXA0082080 -UN-11JUL05



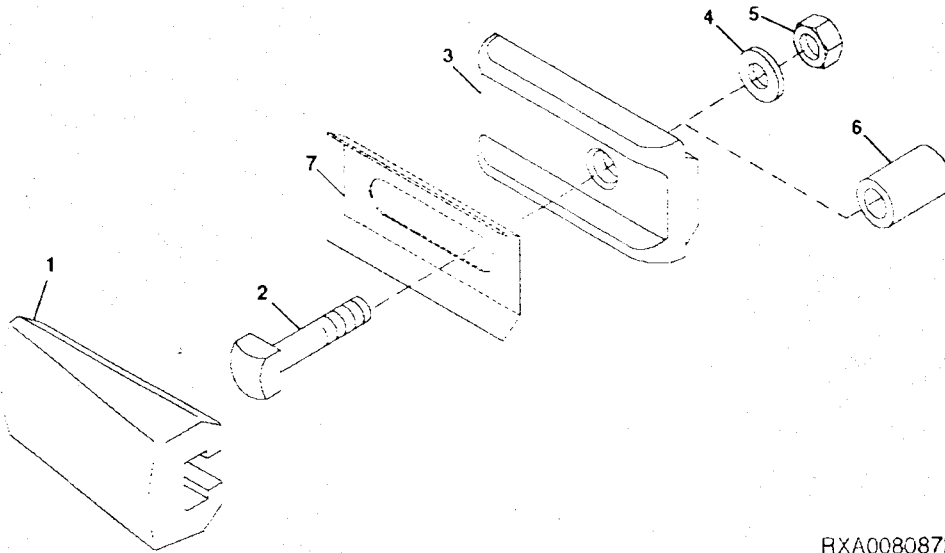
RXA0082080

THIS PARTS LISTING IS CONTINUED



**DRAFT LINK BUMPER**  
**BUTOIR DE BARRE DE TRACTION**  
**UNTERLENKER-PUFFR**  
**PARAURTI DEL TIRANTE DE TRAZIONE**  
**PARAGOLPE DEL BRAZO DE TIRO**  
**GUMMIBUFFERT FOER DRAGARM**

RXA0080872 UN-17MAY05



RXA0080872

KEY	PART NO	PART NAME	QTY.	TRACTOR SERIAL NO	A L L	REMARKS
1	R207661	BUMPER	2		X	
2	R174703	BOLT	2		X	
3	R153799	SPACER	2		X	
4	24M7396	WASHER	2		X	21 X 34 X 3 MM
	R94361	WASHER	2		X	(A)
	14M17554	LOCK NUT	2		X	M20
6	28H3473	SPACER	2		X	(A) 0.824" X 1.050" X 5.8"
7	R205716	SHIM	AR		X	

(A) EUROPEAN DRAFT LINK  
 TIRANT EUROPEEN  
 EUROPÄISCHER UNTERLENKER  
 PARALLELE PER L'EUROPA  
 BRAZO DE TIRO VERSION EUROPEA  
 DRAGARM, EUROPA

# 70-57

HYDRAULICS

KEY	PART NO.	PART NAME	QTY.	TRACTOR SERIAL NO.	A L L	REMARKS
1	14M7284	NUT	2		X	(B) M8
2	L32997	SPRING	1		X	(B)
3	AL76943	ROD	1		X	(B)
4	R80436	RING	1		X	(B)
5	L115082	SHACKLE	1		X	
6	L115083	RIVET	1		X	
7	34M7064	SPRING PIN	1		X	8 X 18 MM
8	L115353	EXTENSION SPRING	1		X	
9	AL117727	PAWL	1		X	(B)
10	34M3866	SPRING PIN	1		X	6 X 32 MM
11	34M7071	SPRING PIN	1		X	10 X 35 MM
12	34M7220	SPRING PIN	1		X	13 X 35 MM
13A	RE210607	DRAFT LINK	2		X	(C)
	RE163711	DRAFT LINK	2		X	(D)
13B	RE164544	DRAFT LINK	1		X	(B) (D) R.H.
	RE164545	DRAFT LINK	1		X	(B) (D) L.H.
	RE210688	DRAFT LINK	1		X	(B) (C) R.H.
	RE210687	DRAFT LINK	1		X	(B) (C) L.H.
14	19M7378	CAP SCREW	2		X	(B) M8 X 45
15	R164547	BRACKET	1		X	(A) (B)
16	L40829	BALL	2		X	(D)
	R225637	BALL	2		X	(B) (C) (E)
	R225638	BALL	2		X	(B) (C) (F)
17	14M7525	LOCK NUT	1		X	(A) M27
18	R171778	THRUST WASHER	2		X	
19	40M7087	SNAP RING	2		X	
20	R106409	BALL STUD	1		X	
21	.....	RETAINER	1		X	
22	.....	BALL	1		X	
23	.....	RETAINER	1		X	

(A) HITCH STABILIZER  
 STABILISATEUR D'ATTELAGE  
 ANHAENGEVORRICHTUNG-STABILISATOR  
 STABILIZZATORE DELL'ATTACCO  
 ESTABILIZADOR DEL ENGANCHE  
 LYFTSTABILISATOR

(C) CATEGORY IVN  
 CATEGORIE IVN  
 KATEGORIE IVN  
 CATEGORIA IVN  
 CATEGORIA IVN  
 KATEGORI IVN

(E) CATEGORY IVN INSIDE DIAMETER  
 CATEGORIE IVN DIAMETRE INTERIEUR  
 KATEGORIE IVN INNENDURCHMESSER  
 CATEGORIA IVN DIAMETRO INTERNO  
 CATEGORIA IVN DIAMETRO INTERIORE  
 KATEGORI IVN INRE DIAMETER

(B) EUROPEAN VERSION  
 VERSION EUROPEENNE  
 EUROPÄISCHE AUSFUEHRUNG  
 VERSIONE EUROPEA  
 VERSION EUROPEA  
 EUROPEISK VERSION

(D) CATEGORY III  
 CATEGORIE III  
 KATEGORIE III  
 CATEGORIA III  
 CATEGORIA III  
 KATEGORI III

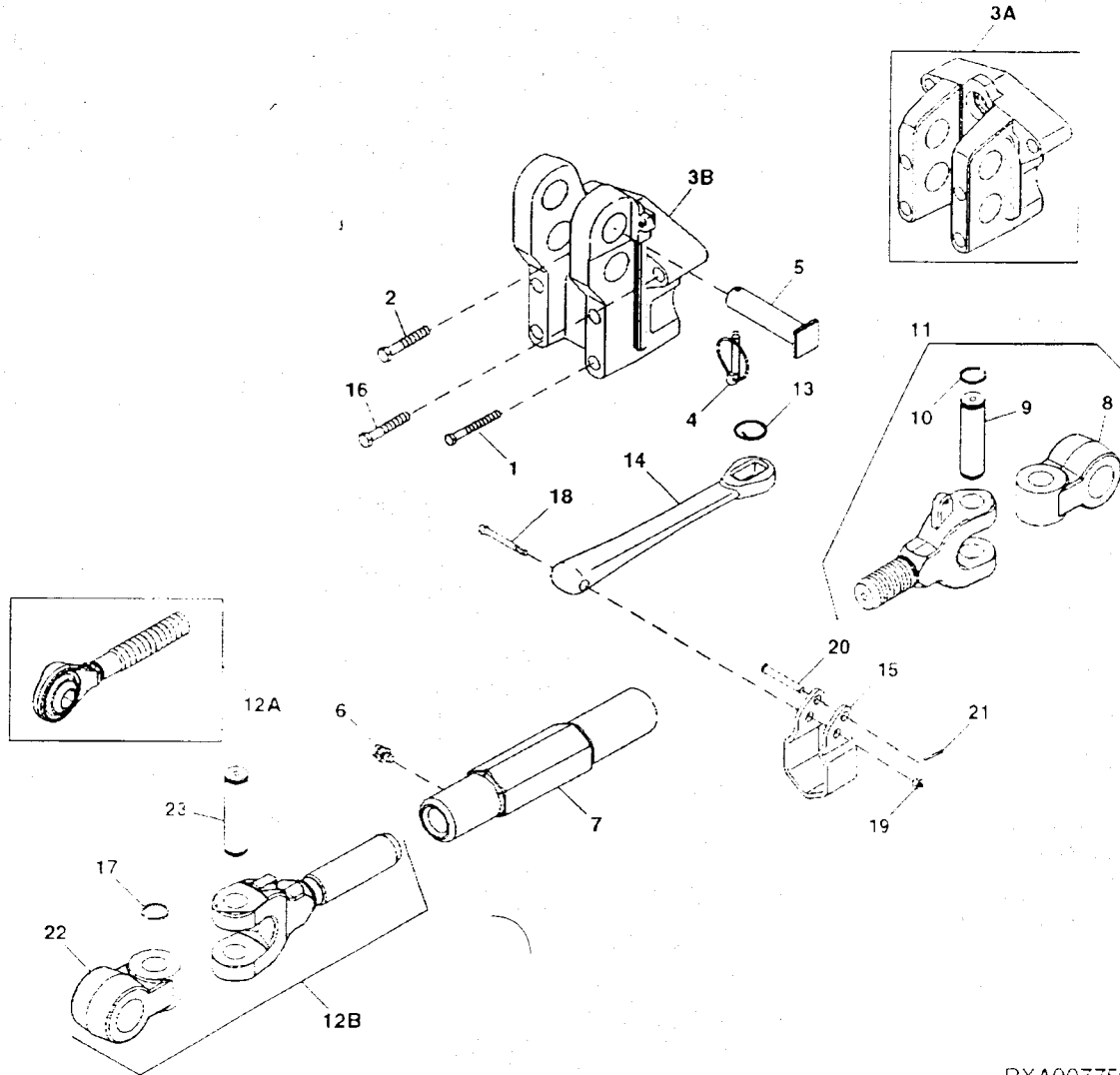
(F) CATEGORY III INSIDE DIAMETER  
 CATEGORIE III DIAMETRE INTERIEUR  
 KATEGORIE III INNENDURCHMESSER  
 CATEGORIA III DIAMETRO INTERNO  
 CATEGORIA III DIAMETRO INTERIORE  
 KATEGORI III INRE DIAMETER

# 70-58

HYDRAULICS

CENTER LINK (NORTH AMERICAN VERSION)  
BIELLE CENTRALE (VERSION NORD AMERICAINE)  
OBERLENKER (NORDAMERIKANISCHE AUSFUEHRUNG)  
TIRANTE CENTRALE (VERSIONE NORDAMERICANA)  
BRAZO CENTRAL (VERSION NORTEAMERICANA)  
TOPPSTAANG (NORDAMERIKANSK VERSION)

RXA0077598 -UN-14JUL05



RXA0077598

THIS PARTS LISTING IS CONTINUED

KEY	PART NO.	PART NAME	QTY.	TRACTOR SERIAL NO.	A L L	REMARKS
1	19M9144	CAP SCREW	4		X	M20 X 180, HS 10.9
2	R189021	CAP SCREW	1		X	
3A	R241962	BRACKET	1		X	(A)
3B	R241963	BRACKET	1		X	(B)
4	AR83396	QUICK LOCK PIN	1		X	
5	R210603	PIN FASTENER	1		X	
6	JD7798	LUBRICATION FITTING	2		X	
7	R210680	LINK BODY	1		X	(B)
	R210682	LINK BODY	1		X	(A)
8	.....	PIVOT	1		X	(ORDER RE210596)
9	R67619	PIN	1		X	
10	F534R	SNAP RING	2		X	
11	RE210596	LINK END	1		X	
12A	RE171278	LINK END	1		X	(A)
	R245537	BALL	1		X	(A)
	R245538	SLEEVE	1		X	(A)
	40M7294	SNAP RING	1		X	(A)
12B	RE210599	LINK END	1		X	(B)
13	R80436	RING	1		X	
14	R200878	HANDLE	1		X	
15	R210681	LOCKING COLLAR	1		X	
16	19M9136	CAP SCREW	2		X	M20 X 110, HS 10.9
17	F534R	SNAP RING	2		X	
18	19M7364	CAP SCREW	1		X	M12 X 80, HS 10.9
19	14M7319	LOCK NUT	1		X	M12
20	R29340	PIN FASTENER	1		X	
21	11M7079	COTTER PIN	1		X	2.500 X 12 MM
22	.....	PIVOT	1		X	(B) (ORDER RE210599)
23	R67619	PIN	1		X	

A) CATEGORY III  
 CATEGORIE III  
 KATEGORIE III  
 CATEGORIA III  
 CATEGORIA III  
 KATEGORI III

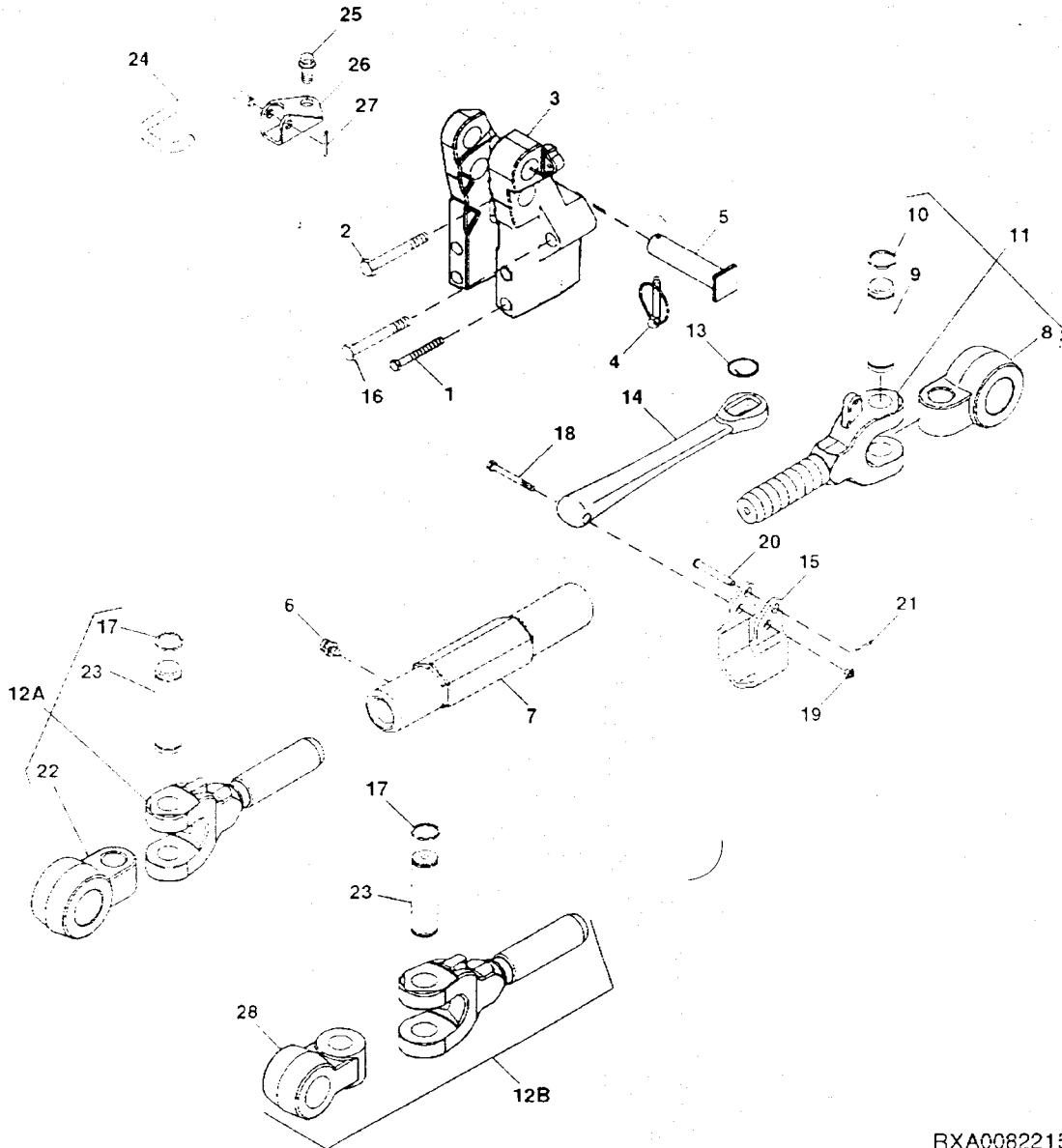
B) CATEGORY IV  
 CATEGORIE IV  
 KATEGORIE IV  
 CATEGORIA IV  
 CATEGORIA IV  
 KATEGORI IV

# 70-60

HYDRAULICS

CENTER LINK (EUROPEAN VERSION)  
BIELLE CENTRALE (VERSION EUROPEENNE)  
OBERLENKER (EUROPAEISCHE AUSFUEHRUNG)  
TIRANTE CENTRALE (VERSIONE EUROPEA)  
BRAZO CENTRAL (VERSION EUROPEA)  
TOPPSTAANG (EUROPEISK VERSION)

RXA0082215 -UN-14JUL05



RXA0082215

# 70-61

HYDRAULICS

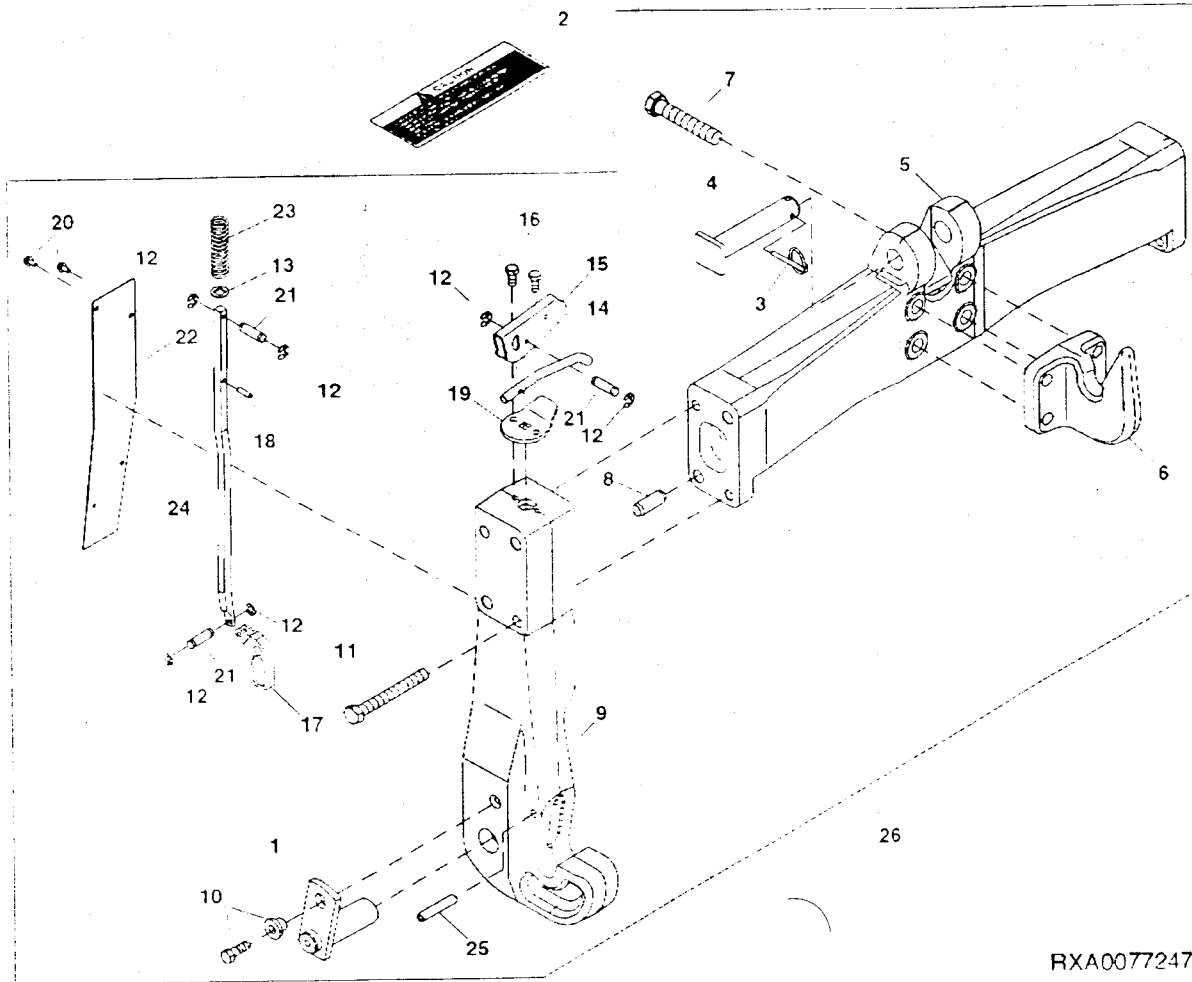
KEY	PART NO.	PART NAME	QTY.	TRACTOR SERIAL NO.	A L L	REMARKS
1	19M9144	CAP SCREW	4		X	M20 X 180. HS 10.9
2	R189021	CAP SCREW	1		X	
3	R241963	BRACKET	1		X	
4	AR83396	QUICK LOCK PIN	1		X	
5	R210603	PIN FASTENER	1		X	
6	JD7798	LUBRICATION FITTING	2		X	
7	R210682	LINK BODY	1		X	
8	.....	PIVOT	1		X	(ORDER RE210596)
9	R67619	PIN	1		X	
10	F534R	SNAP RING	2		X	
11	RE210596	LINK END	1		X	
12A	RE230953	LINK END	1		X	(A)
12B	RE210599	LINK END	1		X	(B)
13	R80436	RING	1		X	
14	R200878	HANDLE	1		X	
15	R210681	LOCKING COLLAR	1		X	
16	19M9136	CAP SCREW	2		X	M20 X 110. HS 10.9
17	F534R	SNAP RING	2		X	
18	19M7364	CAP SCREW	1		X	M12 X 80. HS 10.9
19	14M7319	LOCK NUT	1		X	M12
20	R29340	PIN FASTENER	1		X	2.500 X 12 MM
21	11M7079	COTTER PIN	1		X	(A)
22	R204255	PIVOT	1		X	
23	R67619	PIN	1		X	
24	R222593	PIN FASTENER	1		X	M12 X 16
25	19M8242	SCREW	2		X	
26	R177682	BRACKET	1		X	
27	11M7021	COTTER PIN	1		X	4 X 25 MM
28	.....	PIVOT	1		X	(B) (ORDER RE210599)

(A) CATEGORY III  
 CATEGORIE III  
 KATEGORIE III  
 CATEGORIA III  
 CATEGORIA III  
 KATEGORI III

(B) CATEGORY IV  
 CATEGORIE IV  
 KATEGORIE IV  
 CATEGORIA IV  
 CATEGORIA IV  
 KATEGORI IV

IMPLEMENT QUICK COUPLER (CATEGORY III/IIIN)  
 ACCOUPLEMENT RAPIDE (CATEGORIE III/IIIN)  
 SCHNELLANSCHLUSS FUER ANBAUGERAETE (KATEGORIE III/IIIN)  
 ATTACCO RAPIDO PER EQUIPAGGIAMENTO (CATEGORIA III/IIIN)  
 EJECUTE ENGANCHE RAPIDO (CATEGORIA III/IIIN)  
 SNABBKOPPLING FOER REDSKAP (KATEGORI III/IIIN)

RXA0077247 -UN-27AUG04



RXA0077247

THIS PARTS LISTING IS CONTINUED

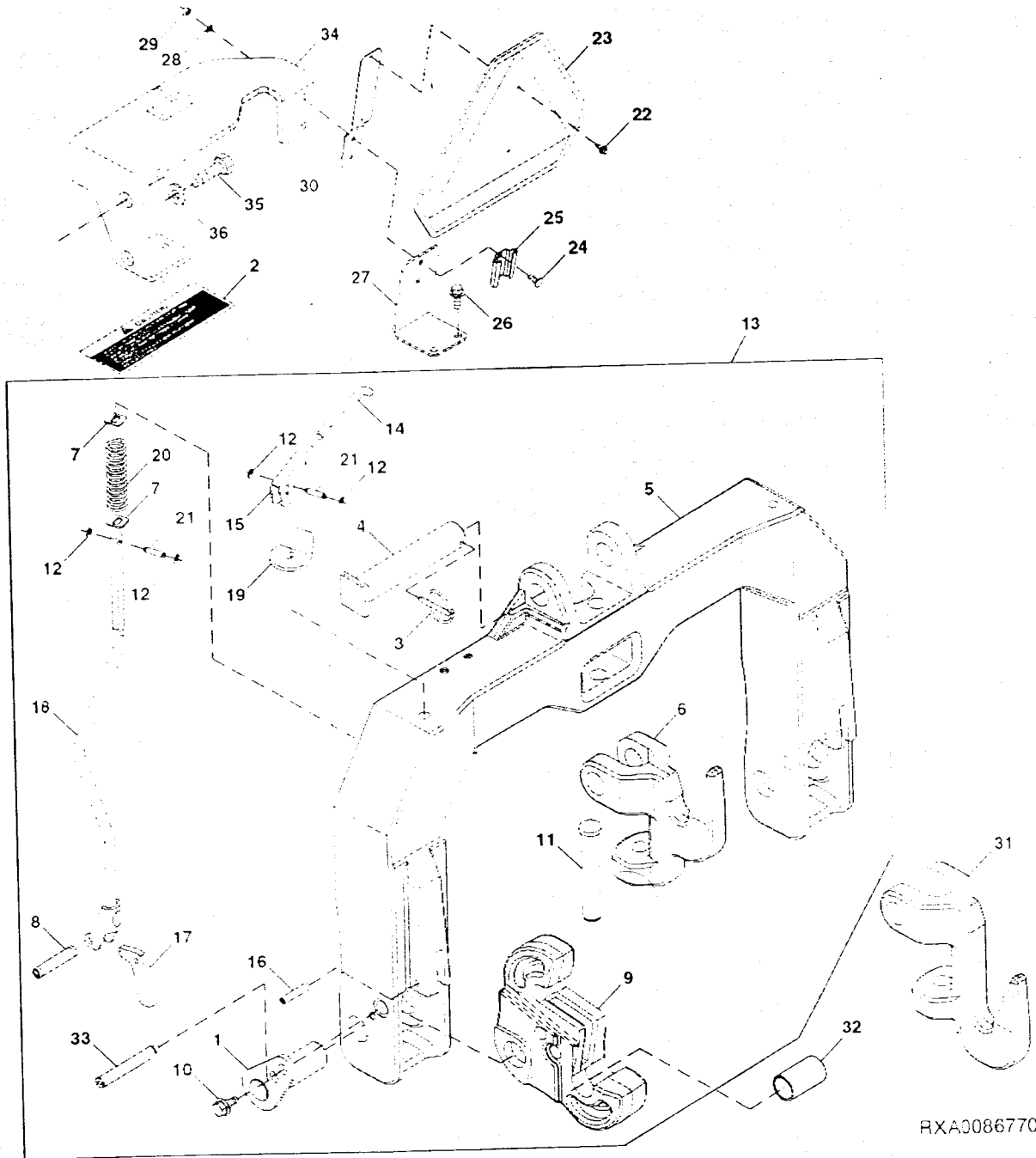
KEY	PART NO	PART NAME	QTY.	TRACTOR SERIAL NO	A L L	REMARKS
1	AR89303	PIN	2		X	
2	R122428	LABEL	1		X	ENGLISH)
	R120104	LABEL	1		X	ESPAÑOL)
	R120105	LABEL	1		X	FRANCAIS)
	R83534	LABEL	1		X	DEUTSCH)
3	AA21292	QUICK LOCK PIN	1		X	
4	R125450	PIN	1		X	
5	R177772	CROSSBAR	1		X	
6	R203718	HOOK	1		X	M20 X 110, HS 10.9
7	19M7969	CAP SCREW	4		X	
8	A776R	PIN	4		X	R.H.
9	R161314	QUICK COUPLER	1		X	L.H.
	R161313	QUICK COUPLER	1		X	
10	R179511	LOCKING COLLAR	2		X	M12 X 35
	19M7744	CAP SCREW	2		X	M16 X 130, HS 10.9
11	19M7732	CAP SCREW	4		X	
12	H133106	SNAP RING	12		X	17 32" X 1" X 0.060"
13	24H1742	WASHER	2		X	
14	R48163	HANDLE	2		X	
15	R48164	LEVER	2		X	
16	19M7166	CAP SCREW	4		X	M10 X 20
17	R207642	LATCH	2		X	
18	34H312	SPRING PIN	2		X	1 4" X 1"
19	R164195	WEAR PLATE	2		X	
20	19M7774	SCREW	8		X	M6 X 12, HS 10.9
21	R222665	PIN FASTENER	6		X	
22	R161319	SHIELD	2		X	
23	R161999	COMPRESSION SPRING	2		X	
24	R161316	LINKAGE	1		X	L.H.
	R161317	LINKAGE	1		X	R.H.
25	N137598	SPRING PIN	2		X	
26	RE180668	FIELD INSTALLATION KIT	1		X	



IMPLEMENT QUICK COUPLER (CATEGORY IV)  
ACCOUPLMENT RAPIDE (CATEGORIE IV)  
SCHNELLANSCHLUSS FUER ANBAUGERAETE (KATEGORIE IV)  
ATTACCO RAPIDO PER EQUIPAGGIAMENTO (CATEGORIA IV)  
EJECUTE ENGANCHE RAPIDO (CATEGORIA IV)  
SNABBKOPPLING FOER REDSKAP (KATEGORI IV)

RXA0086770

-UN-20FEB06



RXA0086770

THIS PARTS LISTING IS CONTINUED

# 70-65

-HYDRAULICS

KEY	PART NO.	PART NAME	QTY.	TRACTOR SERIAL NO.	A L L	REMARKS
1	RE242464	PIN	2		X	
2	R122428	LABEL	1		X	(ENGLISH)
	R120104	LABEL	1		X	(ESPANOL)
	R120105	LABEL	1		X	(FRANCAIS)
	R83534	LABEL	1		X	(DEUTSCH)
3	AR83396	QUICK LOCK PIN	1		X	
4	R220241	PIN FASTENER	1		X	
5	R242456	FRAME	1		X	
6	R242056	QUICK COUPLER	1		X	
7	R220286	WASHER	4		X	
8	A36284	PIN	2		X	
9	R210660	QUICK COUPLER	1		X	R.H.
	R210659	QUICK COUPLER	1		X	L.H.
10	R231624	CAP SCREW	2		X	
11	R245274	PIN	1		X	(SUB R217201)
12	H133106	SNAP RING	8		X	
13	AR216079	FIELD INSTALLATION KIT	1		X	(8430, 8530)
14	R48163	HANDLE	2		X	
15	R48164	LEVER	2		X	
16	N137598	SPRING PIN	2		X	
17	R210661	QUICK COUPLER	2		X	
18	RE242786	LINKAGE	1	-001326	X	(SUB RE257800) L.H.
	RE257800	LINKAGE	1	001327-	X	L.H.
	RE242787	LINKAGE	1	-001326	X	(SUB RE257801) R.H.
	RE257801	LINKAGE	1	001327-	X	R.H.
19	R217208	PLATE	2		X	
20	R161999	COMPRESSION SPRING	2		X	
21	R222665	PIN FASTENER	4		X	
22	37M7089	SCREW	2		X	M6 X 12
23	JD5929	SMV EMBLEM	1		X	
24	03M7184	BOLT	2		X	M8 X 20
25	JD126	SOCKET	1		X	
26	19M7789	SCREW	2		X	M12 X 30
27	R232963	BRACKET	1		X	
28	24M7095	WASHER	2		X	8.400 X 15 X 1.600 MM
29	14M7327	LOCK NUT	2		X	M8
30	JD5404	BRACKET	1		X	
31	R242057	QUICK COUPLER	1		X	(A)
32	A36380	BUSHING	2		X	(B) 92MM(3.6")
	A31726	BUSHING	2		X	(B) 94MM(3.7")
	A32367	BUSHING	2		X	(B) 104MM(4.1")
	A30302	BUSHING	2		X	(B) 140MM(5.5")
33	R219720	PIN	2		X	
	40M7259	SNAP RING	1		X	
34	R223956	BRACKET	1		X	
35	19M7946	CAP SCREW	2		X	M20 X 40
36	24M7242	WASHER	2		X	21.400 X 42 X 5 MM

(A) CATEGORY III  
 CATEGORIE III  
 KATEGORIE III  
 CATEGORIA III  
 CATEGORIA III  
 KATEGORI III

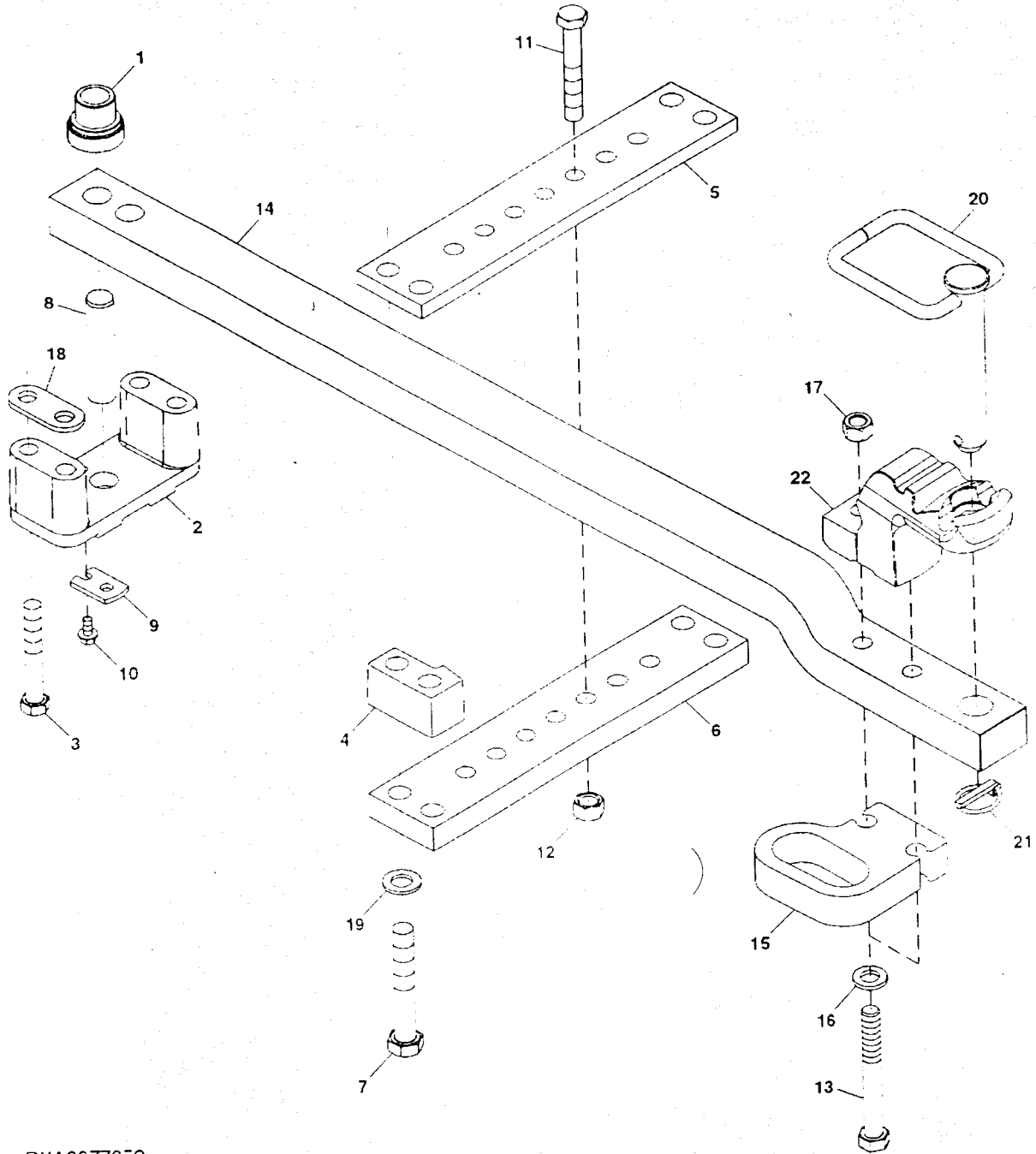
(B) CATEGORY III TO CATEGORY IV  
 CATEGORIE III A CATEGORIE IV  
 VON KATEGORIE III AUF KATEGORIE IV  
 DA CATEGORIA III A CATEGORIA IV  
 DE CATEGORIA III A CATEGORIA IV  
 KATEGORI III TILL KATEGORI IV

# 70-66

HYDRAULICS

REGULAR DRAWBAR (NORTH AMERICAN VERSION) (CATEGORY III)  
BARRE D'ATTELAGE COURANTE (VERSION NORD AMERICAINE) (CATEGORIE III)  
REGULAERES ZUGPENDEL (NORDAMERIKANISCHE AUSFUEHRUNG) (KATEGORIE III)  
BARRA DI TRAINO REGOLARE (VERSIONE NORDAMERICANA) (CATEGORIA III)  
BARRA DE TIRO REGULAR (VERSION NORTEAMERICANA) (CATEGORIA III)  
STANDARDDRAGBOM (NORDAMERIKANSK VERSION) (CATEGORIA III)

RXA0077352 -UN-07SEP04



RXA0077352

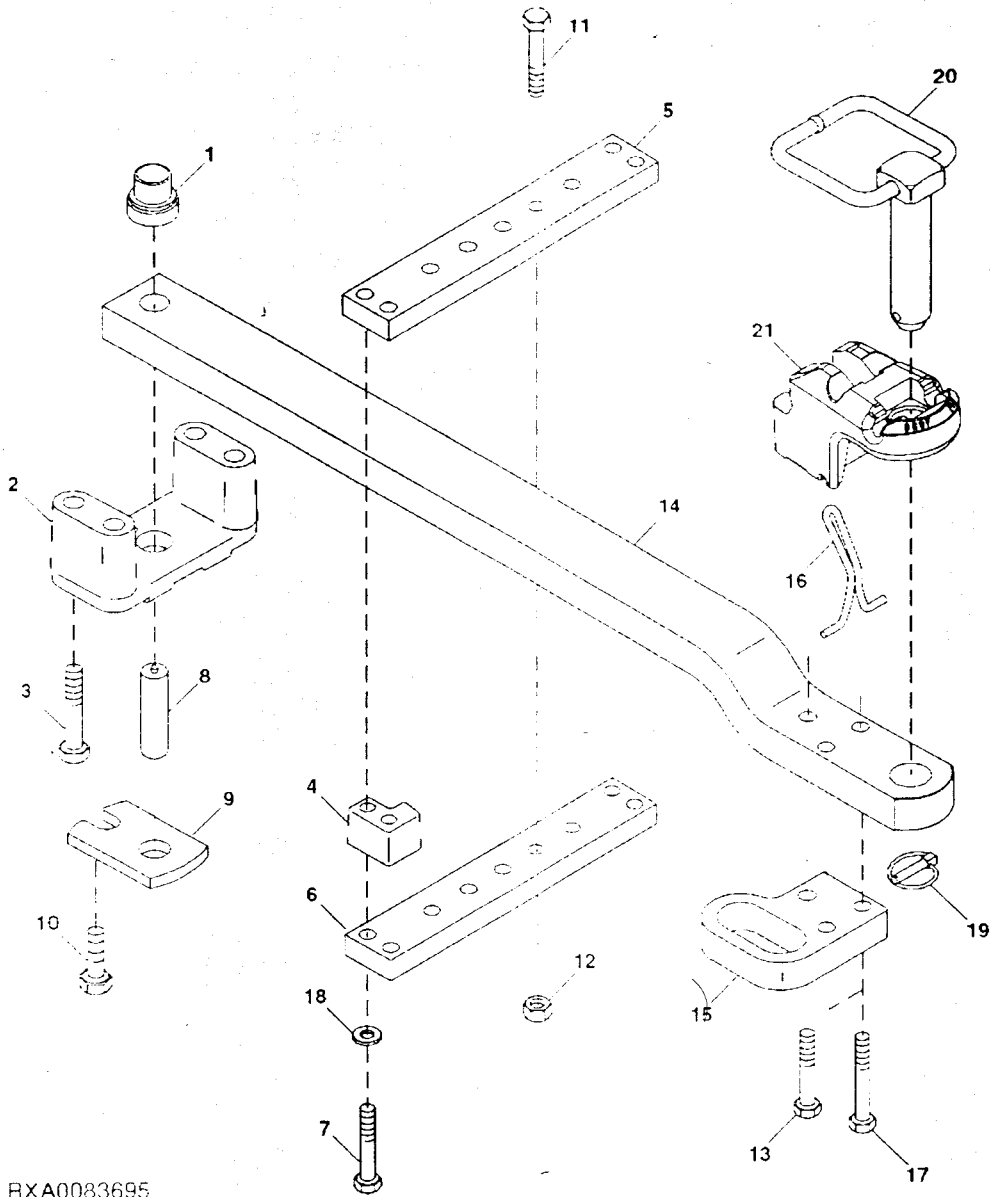
THIS PARTS LISTING IS CONTINUED

8130, 8230, 8330, 8430, 8530 TRACTORS PC9451 (12-APR-06) PN=71E

KEY	PART NO.	PART NAME	QTY.	TRACTOR SERIAL NO.	8 8 8	REMARKS
					1 2 3	
					3 3 3	
					0 0 0	
1	R218767	BUSHING	1		X X X	
2	R210639	DRAWBAR	1		X X X	
3	19M9139	CAP SCREW	4		X X X	M20 X 130, HS 10.9
4	R218782	SPACER	2		X X X	
5	R218780	STRAP	1		X X X	
6	R218781	STRAP	1		X X X	
7	19M9354	CAP SCREW	4		X X X	M24 X 150, HS 10.9
8	R210619	PIN	1		X X X	
9	R115453	STRAP	1		X X X	
10	19M7784	SCREW	1		X X X	M10 X 20, HS 10.9
11	19M7968	CAP SCREW	2		X X X	M20 X 130, HS 10.9
12	14M7277	NUT	2		X X X	M20
13	R156614	CAP SCREW	2		X X X	HS 10.9
14	R130638	DRAWBAR	1		X X X	
15	R156615	RETAINER	1		X X X	
16	R52006	WASHER	2		X X X	
17	R114125	NUT	1		X X X	
18	R121788	STRAP	2		X X X	
19	L113738	WASHER	1		X X X	
20	RE150871	PIN FASTENER	1		X X X	
21	AR62150	QUICK LOCK PIN	1		X X X	
22	R132544	STRAP	1		X X X	

REGULAR DRAWBAR (NORTH AMERICAN VERSION) (CATEGORY IV)  
 BARRE D'ATTelage COURANTE (VERSION NORD AMERICAINE) (CATEGORIE IV)  
 REGULAERES ZUGPENDEL (NORDAMERIKANISCHE AUSFUEHRUNG) (KATEGORIE IV)  
 BARRA DI TRAINO REGOLARE (VERSIONE NORDAMERICANA) (CATEGORIA IV)  
 BARRA DE TIRO REGULAR (VERSION NORTEAMERICANA) (CATEGORIA IV)  
 STANDARDDRAGBOM (NORDAMERIKANSK VERSION) (KATEGORI IV)

RXA0083695 -UN-26AUG05



RXA0083695

THIS PARTS LISTING IS CONTINUED

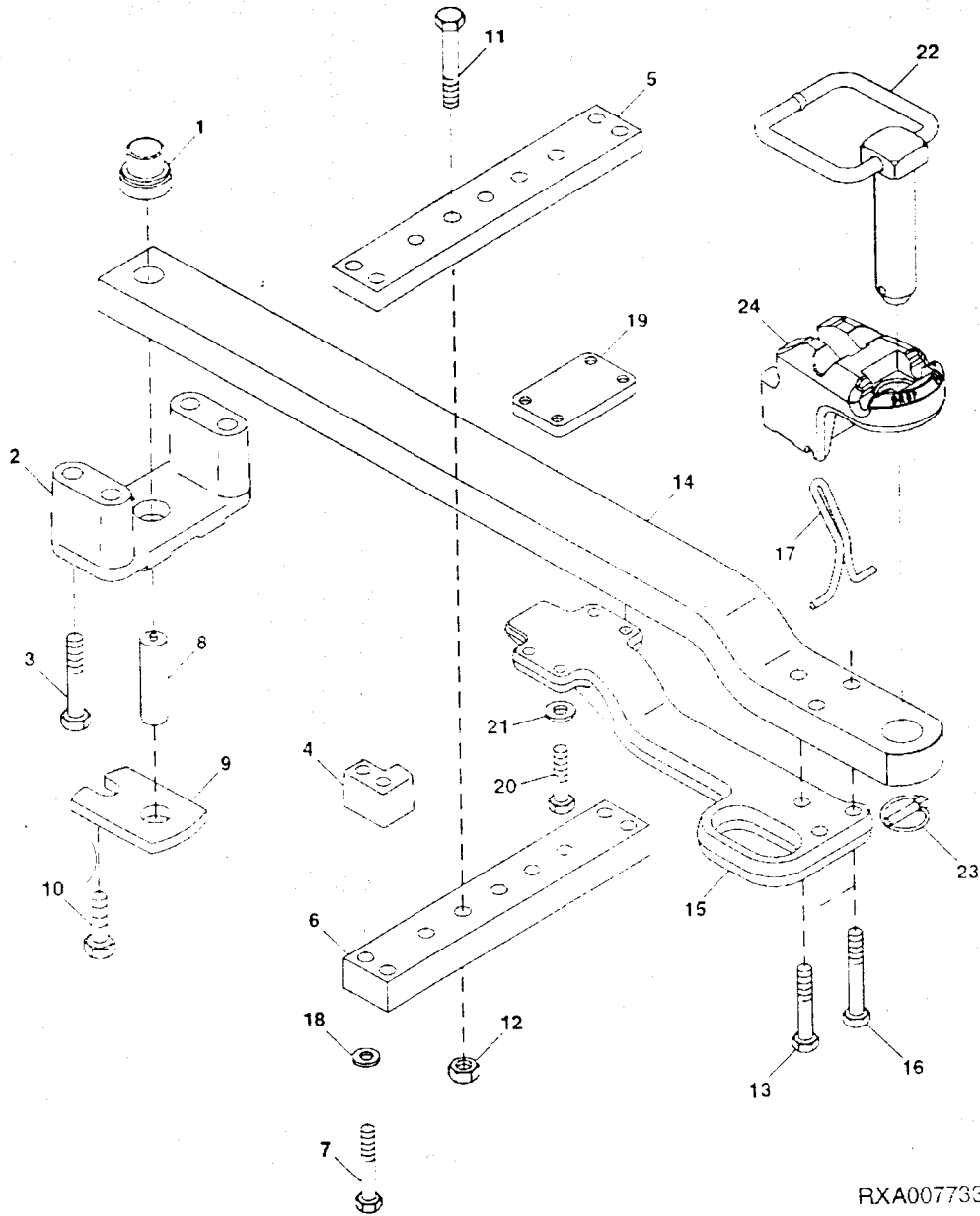
# 70-69

HYDRAULICS

KEY	PART NO.	PART NAME	QTY.	TRACTOR SERIAL NO.	REMARKS
				8 8	
				4 5	
				3 3	
				0 0	
1	R176604	BUSHING	1		X X
2	R174437	SUPPORT	1		X X
3	19M9139	CAP SCREW	4		X X M20 X 130, HS 10.9
4	R210645	SPACER	2		X X
5	R210642	STRAP	1		X X
6	R210643	STRAP	1		X X
7	19M9345	CAP SCREW	4		X X M24 X 160, HS 12.9
8	R175354	PIN	1		X X
9	R115453	STRAP	1		X X
10	19M7784	SCREW	1		X X M10 X 20, HS 10.9
11	19M7907	SCREW	2		X X M20 X 140, HS 10.9
12	14M7277	NUT	2		X X M20
13	19M9140	CAP SCREW	1		X X M20 X 140, HS 10.9
14	R171367	DRAWBAR	1		X X
15	R173116	RETAINER	1		X X
16	R179746	LEVER	1		X X
17	19M9142	CAP SCREW	2		X X M20 X 160, HS 10.9
18	L113738	WASHER	4		X X
19	AL14535	QUICK LOCK PIN	1		X X
20	RE173568	PIN	1		X X
21	R173567	STRAP	1		X X

HEAVY DUTY DRAWBAR (CATEGORY IV)  
BARRE D'ATTELAGE COURANTE (CATEGORIE IV)  
REGULAERES ZUGPENDEL (KATEGORIE IV)  
BARRA DI TRAINO REGOLARE (CATEGORIA IV)  
BARRA DE TIRO REGULAR (CATEGORIA IV)  
STANDARDDRAGBOM (KATEGORI IV)

RXA0077337 -UN-08JUL05



RXA0077337

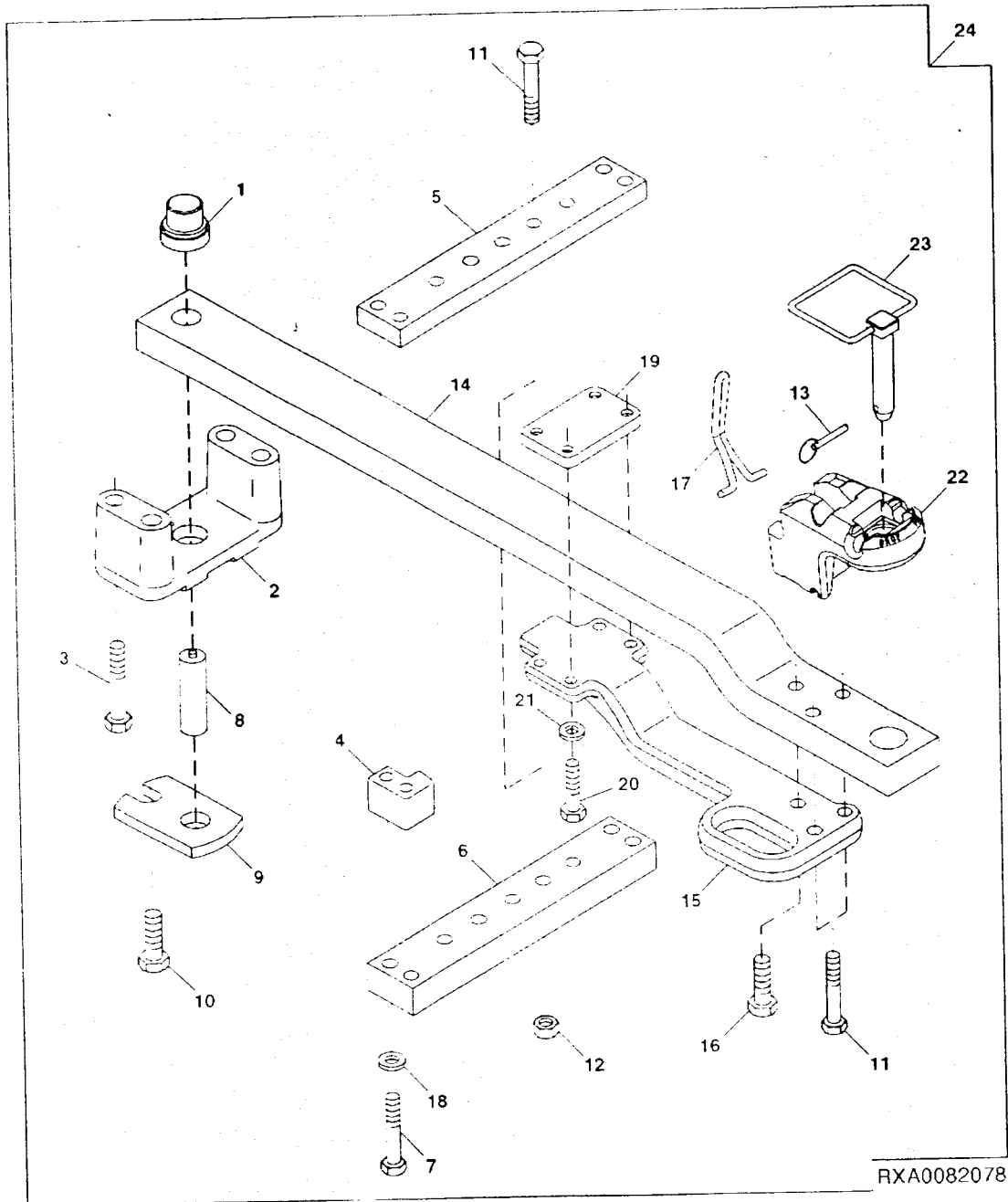
KEY	PART NO.	PART NAME	QTY.	TRACTOR SERIAL NO.	A L L	REMARKS
1	R176604	BUSHING	1		X	
2	R174437	SUPPORT	1		X	
3	19M9139	CAP SCREW	4		X	M20 X 130, HS 10.9
4	R210645	SPACER	2		X	
5	R210642	STRAP	1		X	
6	R220053	STRAP	1		X	
7	19M9345	CAP SCREW	4		X	M24 X 160, HS 10.9
8	R175354	PIN	1		X	
9	R115453	STRAP	1		X	
10	19M7784	SCREW	1		X	M10 X 20, HS 10.9
11	19M9142	CAP SCREW	2		X	M20 X 160, HS 10.9
12	14M7277	NUT	2		X	M20
13	19M9140	CAP SCREW	1		X	M20 X 140 M20 X 120, HS 10.9
14	R171367	DRAWBAR	1		X	
15	R192828	BRACE	1		X	
16	19M9142	CAP SCREW	2		X	M20 X 160, HS 10.9
17	R179746	LEVER	1		X	
18	L113738	WASHER	4		X	
19	R191601	PLATE	1		X	
20	19M9135	CAP SCREW	4		X	M20 X 100, HS 10.9
21	24M7242	WASHER	4		X	21.400 X 42 X 5 MM
22	RE173568	PIN	1		X	
23	AL14535	QUICK LOCK PIN	1		X	
24	R173567	STRAP	1		X	



**DRAWBAR CONVERSION KIT (CATEGORY III TO CATEGORY IV HEAVY DUTY)**  
**JEU DE BARRE D'ATTELAGE COURANTE (CATEGORIE III A CATEGORIE IV POUR SERVICE SEVERE)**  
**REGULAERES ZUGPENDELSATZ (VON KATEGORIE III AUT KATEGORIE IV SCHWERE AUSFUEHRUNG)**  
**KIT BARRA DI TRAINO REGOLARE (DA CATEGORIA III A CATEGORIA IV PER SERVIZIO PESANTE)**  
**JUEGO DE BARRA DE TIRO REGULAR (DE CATEGORIA III A CATEGORIA IV SERVICIO SEVERO)**  
**STANDARDDRAGBOMSATS (KATEGORI III TILL KATEGORI IV EXTRA KRAFTIG)**

RXA0082078

-UN-08JUL05



RXA0082078

THIS PARTS LISTING IS CONTINUED

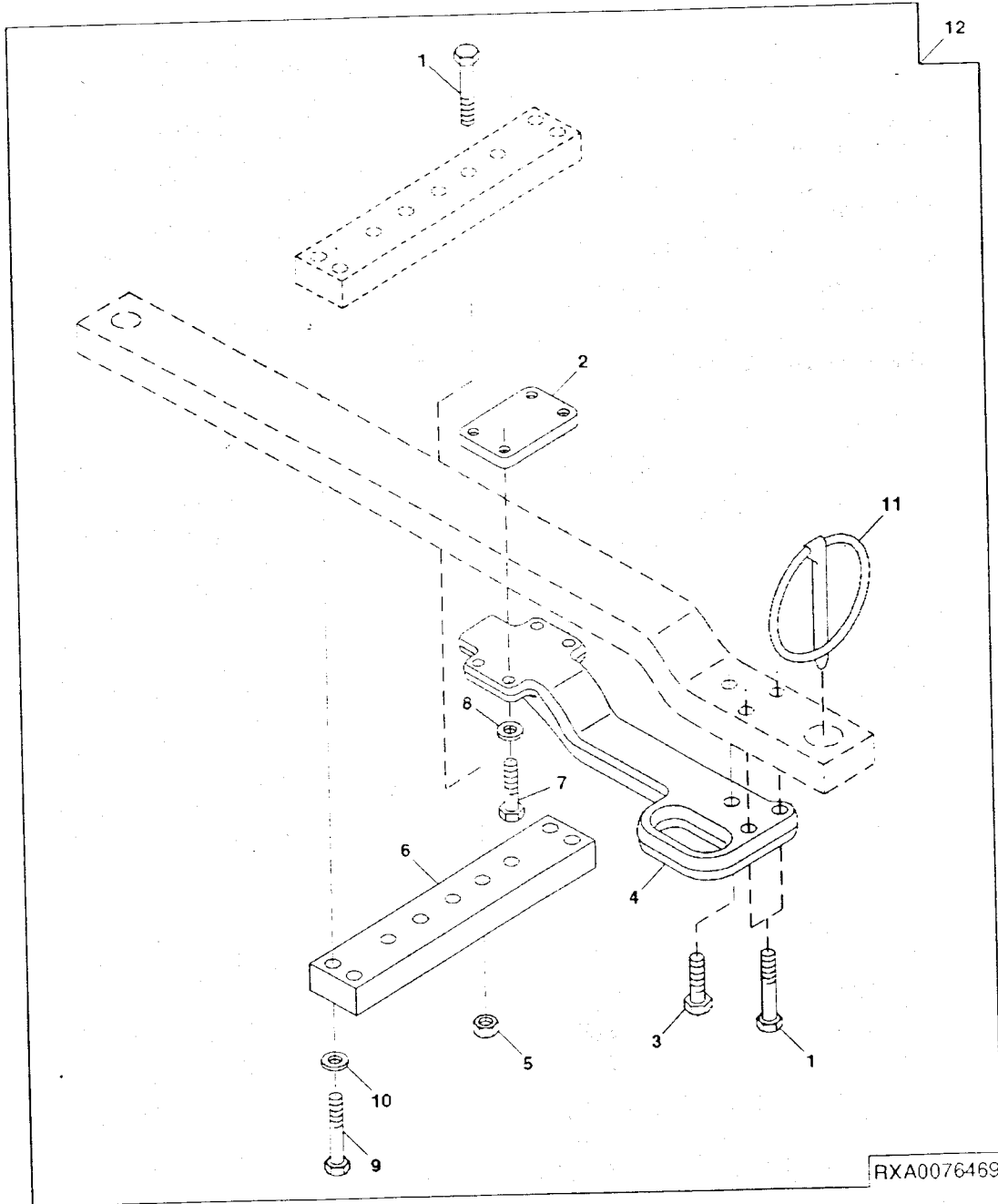
8130, 8230, 8330, 8430, 8530 TRACTORS PC9451 (12-APR-06) 722

KEY	PART NO.	PART NAME	QTY	TRACTOR SERIAL NO.	8 8 8	REMARKS
					1 2 3	
					3 3 3	
					0 0 0	
1	R176604	BUSHING	1		X X X	
2	R174437	SUPPORT	1		X X X	
3	19M9139	CAP SCREW	4		X X X	M20 X 130, HS 10.9
4	R210645	SPACER	2		X X X	
5	R210642	STRAP	1		X X X	
6	R220053	STRAP	1		X X X	
7	19M9345	CAP SCREW	4		X X X	M24 X 160
8	R175354	PIN	1		X X X	
9	R115453	STRAP	1		X X X	
10	19M7784	SCREW	1		X X X	M10 X 20, HS 10.9
11	19M9142	CAP SCREW	2		X X X	M20 X 160, HS 10.9
12	14M7277	NUT	2		X X X	M20
13	AL14535	QUICK LOCK PIN	1		X X X	M20 X 120, HS 10.9
14	R171367	DRAWBAR	1		X X X	
15	R192828	BRACE	1		X X X	M20 X 140, HS 10.9
16	19M9140	CAP SCREW	1		X X X	
17	R179746	LEVER	1		X X X	
18	L113738	WASHER	4		X X X	
19	R191601	PLATE	1		X X X	
20	19M9135	CAP SCREW	4		X X X	M20 X 100, HS 10.9
21	L115418	WASHER	4		X X X	
22	R173567	STRAP	1		X X X	
23	RE173568	PIN	1		X X X	
24	AR211153	FIELD INSTALLATION KIT	1		X X X	

DRAWBAR CONVERSION KIT (CATEGORY IV TO CATEGORY IV HEAVY DUTY)  
JEU DE BARRE D'ATTELAGE COURANTE (CATEGORIE IV A CATEGORIE IV POUR SERVICE SEVERE)  
REGULAERES ZUGPENDELSATZ (VON KATEGORIE IV AUT KATEGORIE IV SCHWERE AUSFUEHRUNG)  
KIT BARRA DI TRAINO REGOLARE (DA CATEGORIA IV A CATEGORIA IV PER SERVIZIO PESANTE)  
JUEGO DE BARRA DE TIRO REGULAR (DE CATEGORIA IV A CATEGORIA IV SERVICIO SEVERO)  
STANDARDDRAGBOMSATS (KATEGORI IV TILL KATEGORI IV EXTRA KRAFTIG)

RXA0076469

-UN-08JUL05



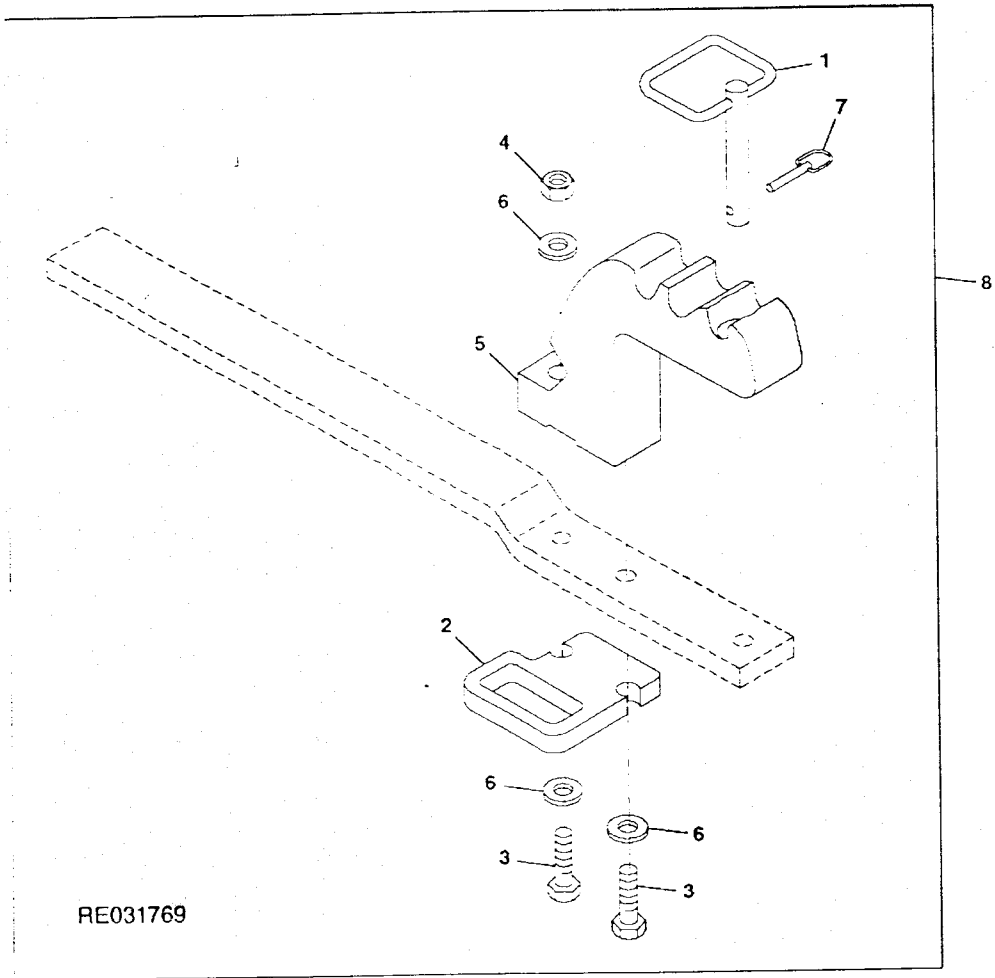
THIS PARTS LISTING IS CONTINUED

8130, 8230, 8330, 8430, 8530 TRACTORS PC9451 (12-1PR-06)  
SA=724

KEY	PART NO.	PART NAME	QTY.	TRACTOR SERIAL NO.	REMARKS
				8 8	
				4 5	
				3 3	
				0 0	
1	19M9139	CAP SCREW	4		X X M20 X 130
2	R191601	PLATE	1		X X
3	19M9140	CAP SCREW	1		X X M20 X 140, HS 10.9
4	R192828	BRACE	1		X X
5	14M7277	NUT	2		X X M20
6	R220053	STRAP	1		X X
7	19M9135	CAP SCREW	4		X X M20 X 100
8	L115418	WASHER	4		X X
9	19M9345	CAP SCREW	4		X X M24 X 160
10	L113738	WASHER	4		X X
11	AR83396	QUICK LOCK PIN	1		X X
12	AR211154	FIELD INSTALLATION KIT	1		X X

DRAWBAR CLEVIS (NORTH AMERICAN VERSION)  
BARRE D'ATTELAGE, ETRIER (VERSION NORD AMERICAINE)  
ZUGPENDEL-GABELKOPF (NORDAMERIKANISCHE AUSFUEHRUNG)  
CAVALLOTTO DELLA BARRA DI TRAINO (VERSIONE NORDAMERICANA)  
HORQUILLA DE LA BARRA DE TIRO (VERSION NORTEAMERICANA)  
DRAGBOM, U-BYGEL (NORDAMERIKANSK VERSION)

RE031769 -UN-11MAY00



THIS PARTS LISTING IS CONTINUED

# 70-77

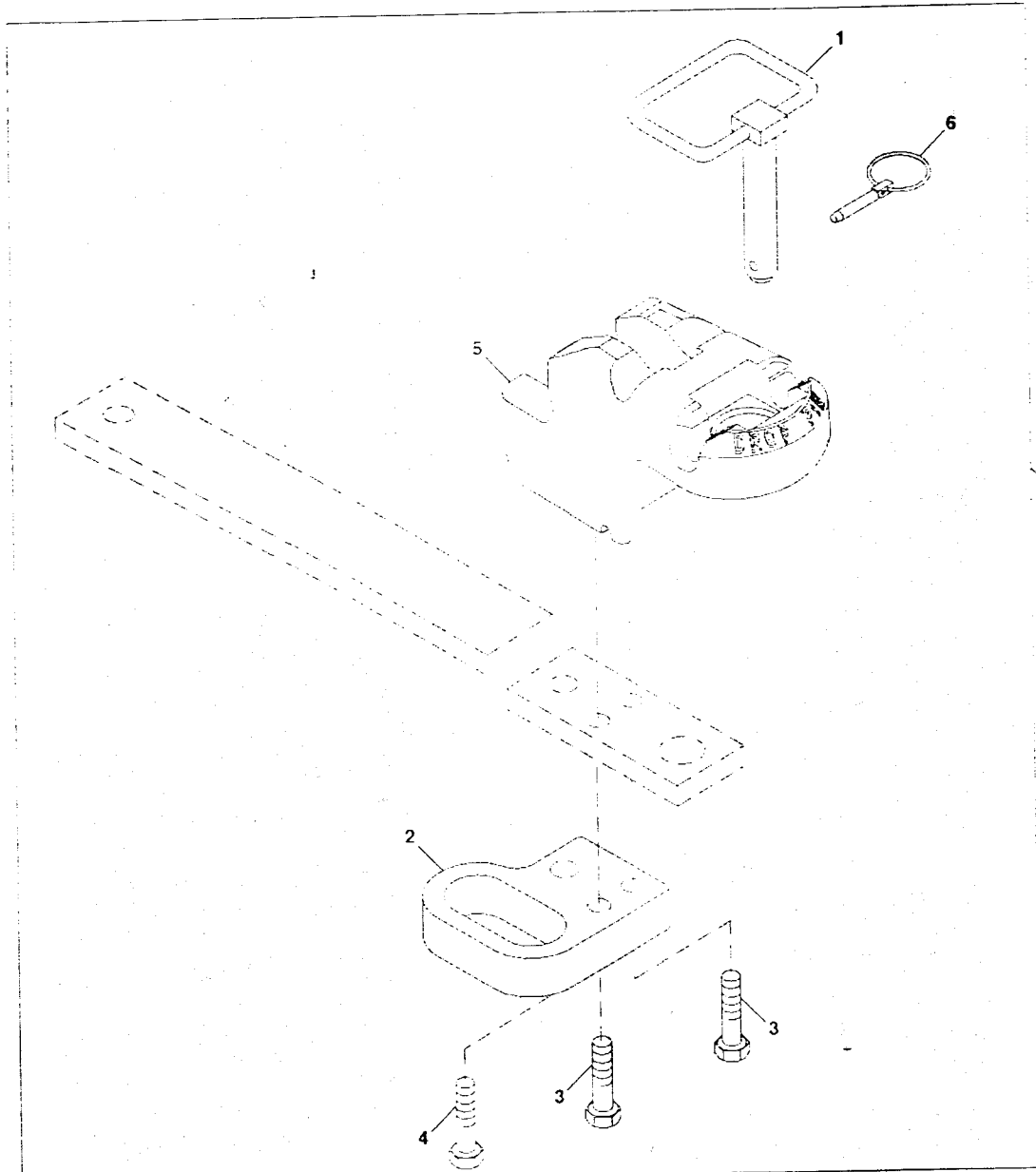
HYDRAULICS

KEY	PART NO.	PART NAME	QTY.	TRACTOR	8 8 8	REMARKS
				SERIAL NO.	1 2 3	
				3 3 3	0 0 0	
1	RE150871	PIN FASTENER	1		X X X	1 1/2" DIA
2	R156615	RETAINER	1		X X X	
3	R156614	CAP SCREW	2		X X X	M22 X 170, HS 10.9
4	R114125	NUT	1		X X X	
5	R132544	STRAP	1		X X X	
6	R52006	WASHER	AR		X X X	
7	AR62150	QUICK LOCK PIN	1		X X X	
8	RE159503	CLEVIS	1		X X X	

DRAWBAR CLEVIS (NORTH AMERICAN VERSION) (CATEGORY IV)  
 BARRE D'ATTELAGE. ETRIER (VERSION NORD AMERICAINE) (CATEGORIE IV)  
 ZUGPENDEL-GABELKOPF (NORDAMERIKANISCHE AUSFUEHRUNG) (KATEGORIE IV)  
 CAVALLOTTO DELLA BARRA DI TRAINO (VERSIONE NORDAMERICANA) (CATEGORIA IV)  
 HORQUILLA DE LA BARRA DE TIRO (VERSION NORTEAMERICANA) (CATEGORIA IV)  
 DRAGBOM, U-BYGEL (NORDAMERIKANSK VERSION) (KATEGORI IV)

RXA0077307

-UN-02SEP04



RXA0077307

THIS PARTS LISTING IS CONTINUED

# 70-79

HYDRAULICS

KEY	PART NO.	PART NAME	QTY.	TRACTOR SERIAL NO.	REMARKS
1	RE173568	PIN	1		X X 2" OD
2	R173116	RETAINER	1		X X
3	19M8503	CAP SCREW	2		X X M20 X 160. HS 10.9
4	19M9140	CAP SCREW	1		X X M20 X 140. HS 10.9
5	R173567	STRAP	1		X X
6	AL14535	QUICK LOCK PIN	1		X X
7	RE173789	DRAWBAR	1		X X

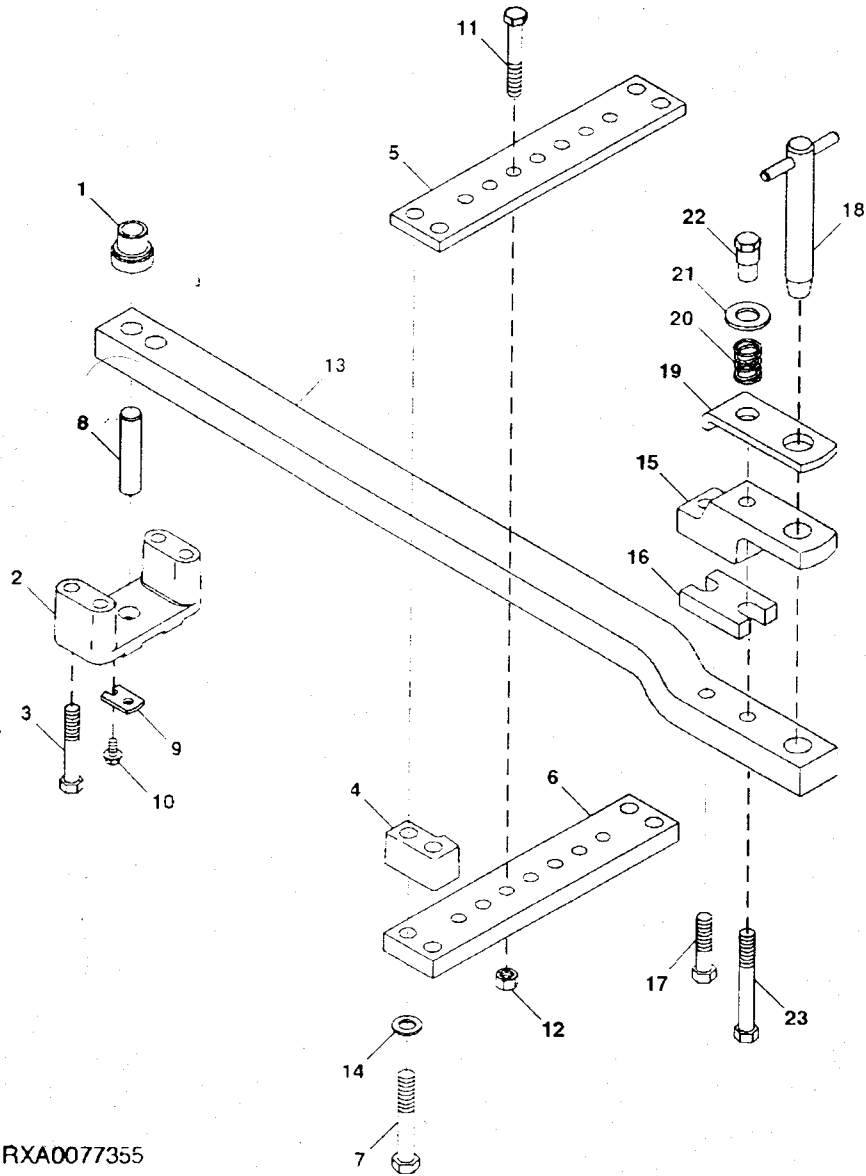


# 70-80

HYDRAULICS

REGULAR DRAWBAR (EUROPEAN VERSION)  
BARRE D'ATTELAGE COURANTE (VERSION EUROPEENNE)  
REGULAERES ZUGPENDEL (EUROPAEISCHE AUSFUEHRUNG)  
BARRA DI TRAINO REGOLARE (VERSIONE EUROPEA)  
BARRA DE TIRO REGULAR (VERSION EUROPEA)  
STANDARDDRAGBOM (EUROPEISK VERSION)

RXA0077355 -UN-07SEP04



RXA0077355

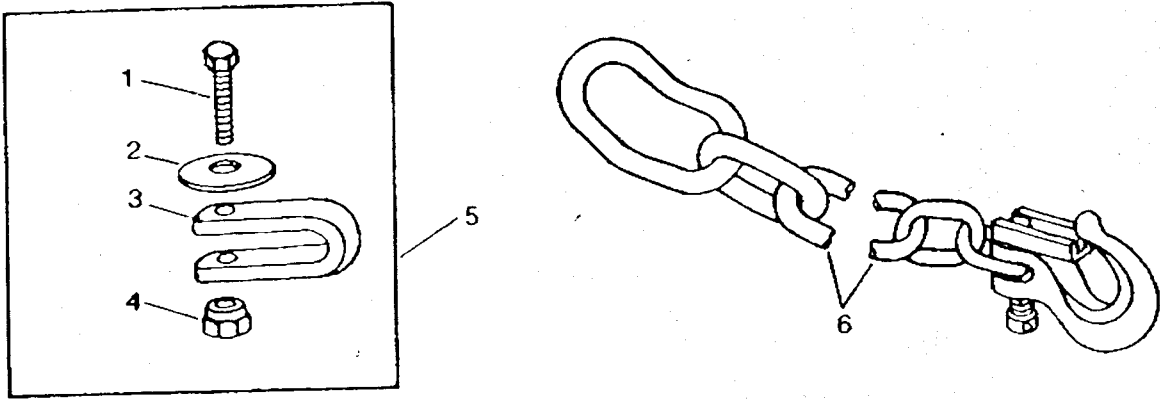
# 70-81

HYDRAULICS

KEY	PART NO.	PART NAME	QTY	TRACTOR SERIAL NO.	A L L	REMARKS
1	R218767	BUSHING	1		X	
2	R210639	DRAWBAR	1		X	
3	19M9139	CAP SCREW	4		X	M20 X 130, HS 10.9
4	R218786	SPACER	2		X	
5	R218780	STRAP	1		X	
6	R218781	STRAP	1		X	
7	19M9146	CAP SCREW	4		X	M24 X 140, HS 10.9
8	R210619	PIN	1	-XXXXXX	X	
	R258560	PIN	1	XXXXXX-	X	
9	R115453	STRAP	1		X	
10	19M7784	SCREW	1		X	M10 X 20, HS 10.9
11	19M7968	CAP SCREW	2		X	M20 X 130, HS 10.9
12	14M7277	NUT	2		X	M20
13	R133415	DRAWBAR	1		X	
14	L113738	WASHER	4		X	
15	R88665	STRAP	1		X	
16	R134668	PLATE	1		X	
17	19M7969	CAP SCREW	1		X	M20 X 110, HS 10.9
18	AR69988	PIN FASTENER	1		X	
19	R54064	RETAINER	1		X	
20	F304R	COMPRESSION SPRING	1		X	
21	24H1513	WASHER	1		X	1-13/32" X 2" X 0.060"
22	R88667	NUT	1		X	
23	19M8503	CAP SCREW	1		X	M20 X 160

IMPLEMENT SAFETY CHAIN  
 CHAÎNE DE VERROUILLAGE  
 GERAETE-SICHERUNGSKETTE  
 CATENA DI SICUREZZA PER EQUIPAGGIAMENTO  
 INSTALE LA CADENA DE SEGURIDAD  
 SAEKERHETSKEDJA, REDSKAP

RWP5796 -UN-01JAN94



RWP5796

KEY	PART NO.	PART NAME	QTY.	TRACTOR SERIAL NO.	A		REMARKS
					L	L	
1	19H1768	CAP SCREW	1		X	3/4" X 2"	
	19H2084	CAP SCREW	1		X	3/4" X 4-1/2"	
	19H2174	CAP SCREW	1		X	3/4" X 4-1/4"	
2	R36402	WASHER	1		X		
3	R69408	CLEVIS	1		X		
	R69409	CLEVIS	1		X		
4	T25879	NUT	2		X		
5	AR90577	SAFETY CHAIN ADAPTER KIT	1		X	(A)	
	AR90578	CHAIN KIT	1		X	(B)	
6	AE71228	SAFETY CHAIN	1		X	6.4 MM (1/4") 4536 KG (10,000 LB)	
	AE71229	SAFETY CHAIN	1		X	9.5 MM (3/8") (20,000 LB)	
	AE71230	SAFETY CHAIN	1		X	11.1 MM (7/16") (30,000 LB)	
	AA58159	SAFETY CHAIN	1		X	12.7 MM (1/2") (40,000 LB)	

(A) CATEGORY IV  
 CATEGORIE IV  
 KATEGORIE IV  
 CATEGORIA IV  
 CATEGORIA IV  
 KATEGORI IV

(B) CATEGORY III  
 CATEGORIE III  
 KATEGORIE III  
 CATEGORIA III  
 CATEGORIA III  
 KATEGORI III

70-83

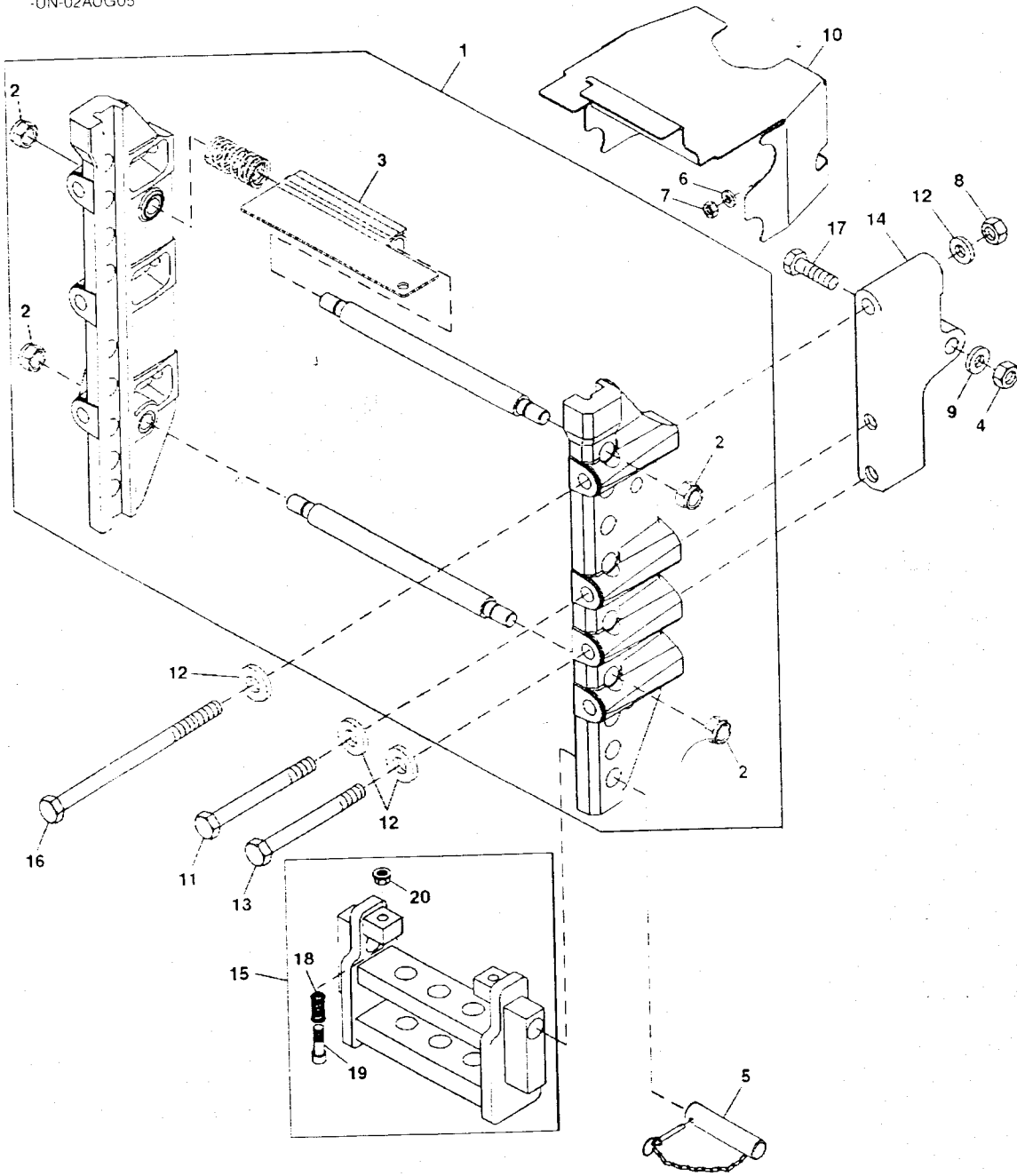
HYDRAULIC

MEMORANDA  
MEMORANDA  
MEMORANDA  
MEMORANDA  
MEMORANDA

WAGON HITCH BRACKETS  
 SUPPORTS D'ATTELAGE DE CHARIOT  
 ANHAENGEVORRICHTUNGS-HALTERUNGEN  
 STAFFE DI ATTACCO DEL CARRO  
 SOPORTES DEL ENGANCHE DEL CARRO  
 DRAGANORDNINGSFAASTEN

RXA0077358

-UN-02AUG05



RXA0077358

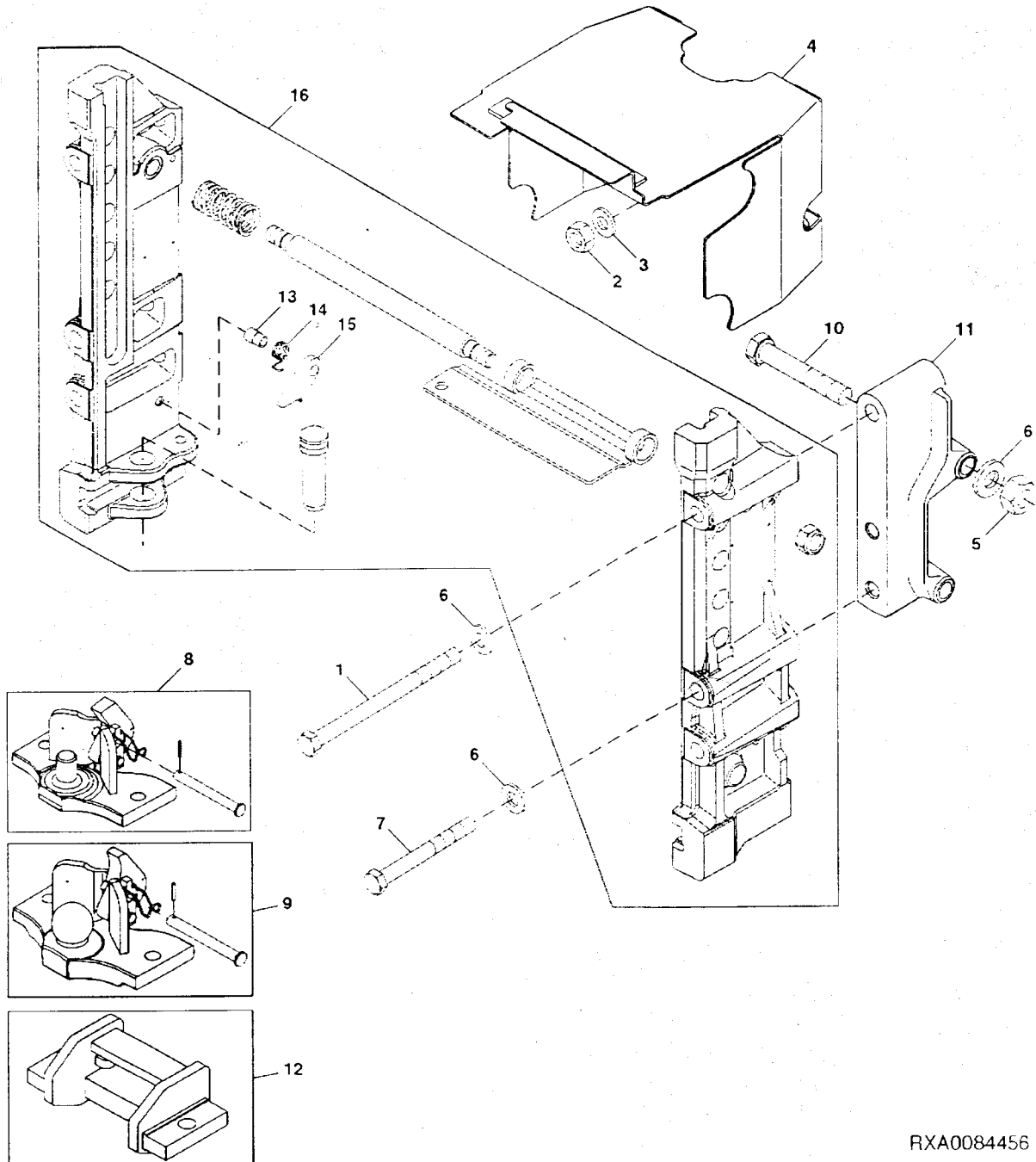
# 70-85

HYDRAULICS

KEY	PART NO.	PART NAME	QTY.	TRACTOR SERIAL NO.	A L L	REMARKS
1	RE215258	BRACKET	1		X	
2	14M7410	LOCK NUT	4		X	M20
3	RE220449	PTO POWR-GARD TM SHIELD	1		X	
4	14M7277	NUT	4		X	M20
5	R222329	PIN FASTENER	2		X	
6	24M7346	WASHER	4		X	11 X 20 X 2 MM
7	14M7274	NUT	4		X	M10
8	14M7277	NUT	2		X	M20
9	24M7242	WASHER	4		X	21.400 X 42 X 5 MM
10	RE210616	SHIELD	1		X	
11	19M9144	CAP SCREW	2		X	M20 X 180, HS 10.9
12	24M7242	WASHER	8		X	21.400 X 42 X 5 MM
13	19M9144	CAP SCREW	2		X	M20 X 180, HS 10.9
14	R210684	BRACKET	1		X	LH
	R210685	BRACKET	1		X	RH
15	RE222972	HITCH	1		X	
16	19M9155	CAP SCREW	2		X	M20 X 280, HS 10.9
17	19M7883	SCREW	4		X	M20 X 120, HS 10.9
18	L158449	SPRING	2		X	
19	19M8704	SCREW	2		X	M12 X 35, HS 12.9
20	14M7299	FLANGE NUT	2		X	M12

THREE IN ONE HITCH  
ATTELAGE 3 EN 1  
3-IN-1-ANHAENGEVORRICHTUNG  
SOLLEVATORE TRE IN UNO  
ENGANCHE TRES EN UNO  
KOMBINATIONSLYFT

RXA0084456 -UN-06OCT05



RXA0084456

THIS PARTS LISTING IS CONTINUED

KEY	PART NO.	PART NAME	QTY.	TRACTOR SERIAL NO.	A L L	REMARKS
1	19M9155	CAP SCREW	2		X	M20 X 280, HS 10.9
2	14M7274	NUT	4		X	M10
3	24M7346	WASHER	4		X	11 X 20 X 2 MM
4	RE210616	SHIELD	1		X	
5	14M7277	NUT	4		X	M20
6	24M7242	WASHER	12		X	21 400 X 42 X 5 MM
7	19M9144	CAP SCREW	4		X	M20 X 180, HS 10.9
8	AL162256	HITCH	1		X	(A)
9	AL162257	HITCH	1		X	(B)
10	19M9137	CAP SCREW	4		X	M20 X 120, HS 10.9
11	R210684	BRACKET	1		X	LH
	R210685	BRACKET	1		X	RH
12	RE224315	SUPPORT	1		X	
13	R238070	BUSHING	2		X	
14	R239036	TORSION SPRING	1		X	LH
	R238071	TORSION SPRING	1		X	RH
15	R238058	PLATE	2		X	
16	RE237437	RAIL	1		X	

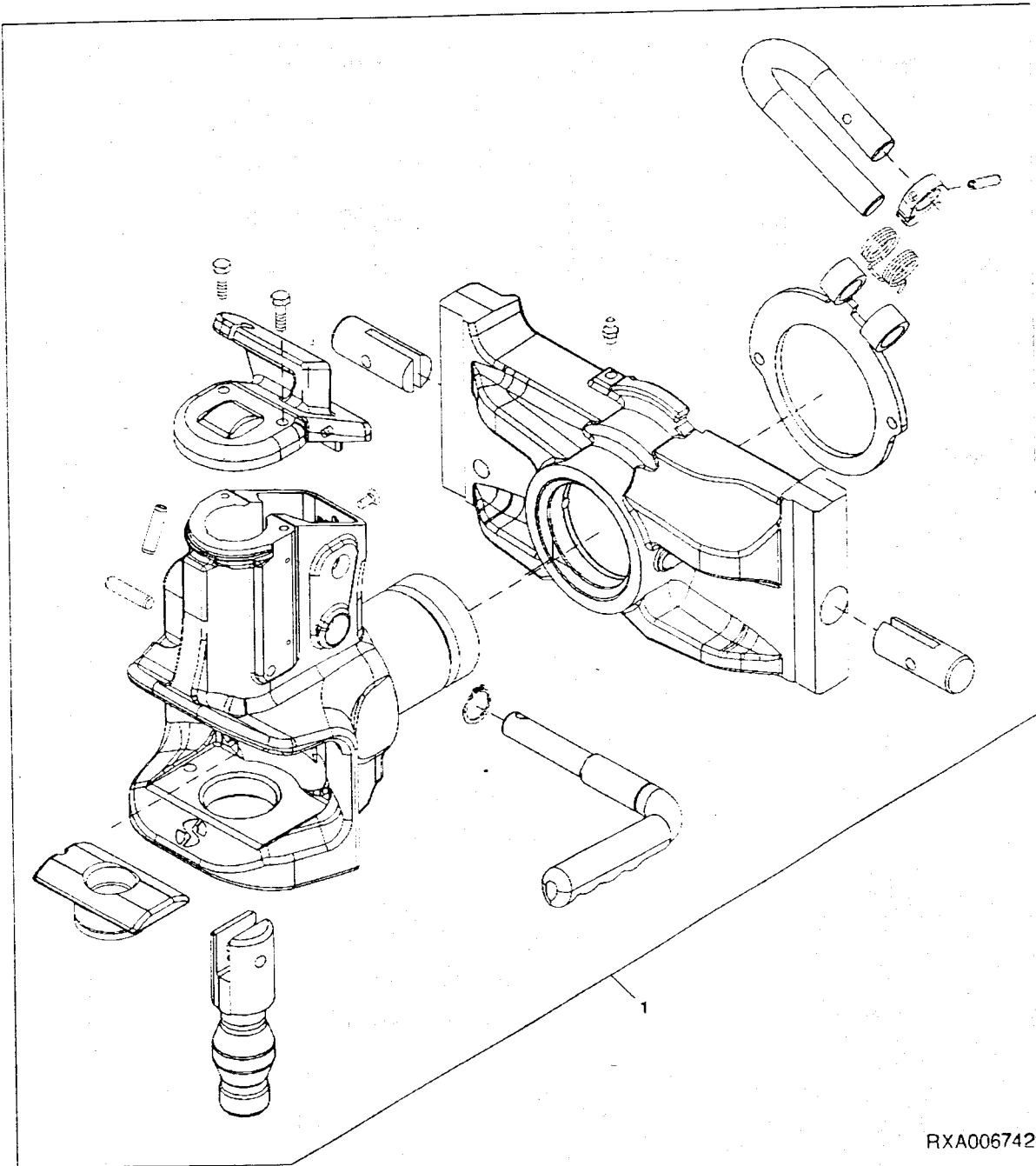
(A) HITCH INSERT, PITON FIX TYPE  
 INSERT D'ATTELAGE, TYPE PITON FIXE  
 ANHAENGEVORRICHTUNGSEINSATZ, PITON-FIXE-AUSFUEHRUNG  
 INSERTO SOLLEVATORE, TIPO PITON FIXE  
 INSERTO DEL ENGANCHE, TIPO PITON FIXE  
 LYFTINSATS, TYP PITON FIXE

(B) HITCH INSERT, BALL TYPE  
 INSERT D'ATTELAGE, TYPE ROTULE  
 ANHAENGEVORRICHTUNGSEINSATZ, KUGELAUSFUEHRUNG  
 INSERTO SOLLEVATORE, TIPO SFERA  
 INSERTO DEL ENGANCHE, TIPO BOLA  
 LYFTINSATS, TYP KULA



WAGON HITCH COUPLING  
ACCOUPEMENT D'ATTELAGE DE CHARIOT  
ANHAENGEVORRICHTUNGS-KUPPLUNG  
ACCOPIAMENTO DELL'ATTACCO DEL CARRO  
ACOPLAMIENTO DEL ENGANCHE DEL CARRO  
DRAGANORDNINGSKOPPLING

RXA0067429 -UN-29MAY03



RXA0067429

# 70-89

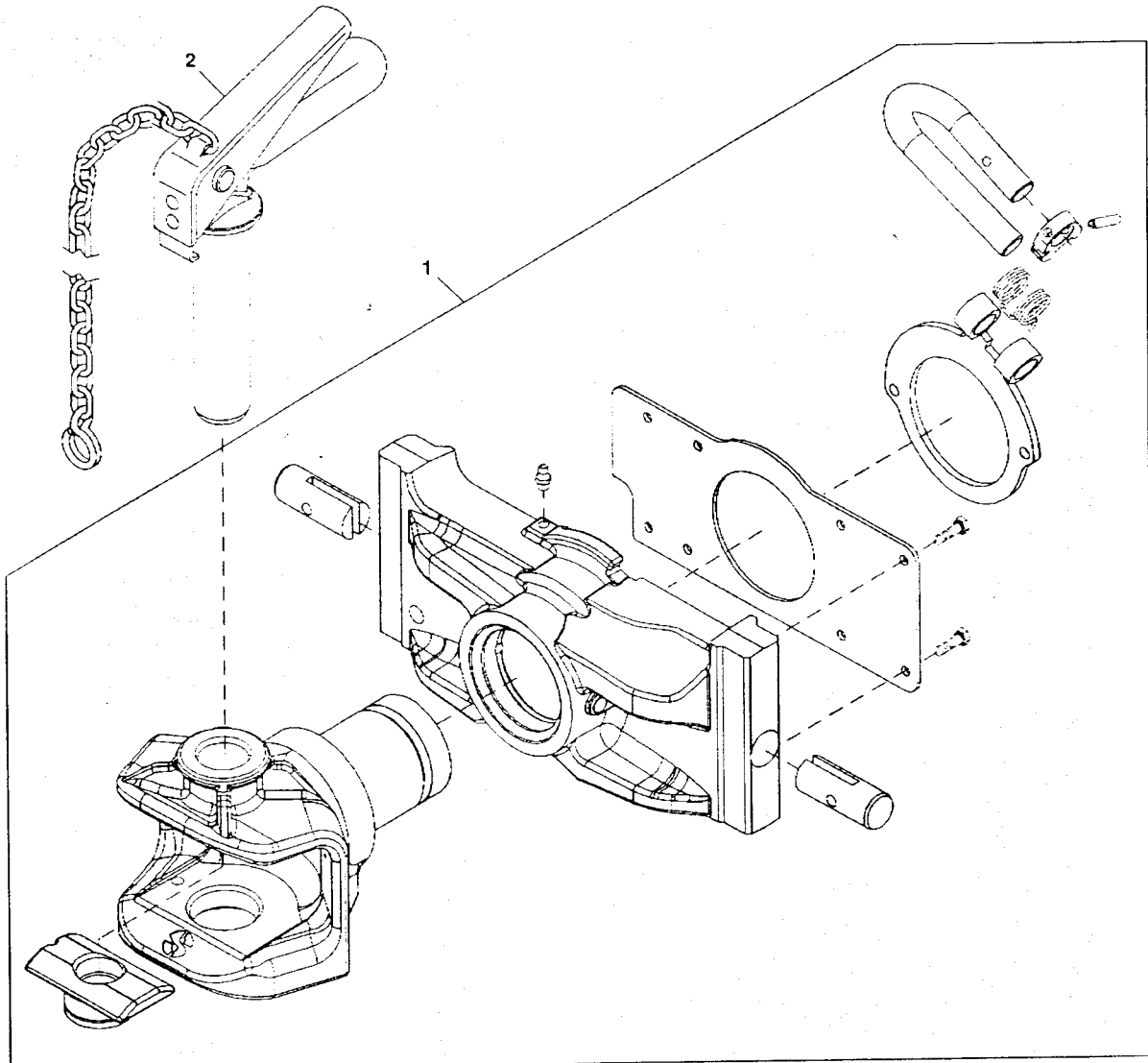
HYDRAULICS

KEY	PART NO.	PART NAME	QTY.	TRACTOR SERIAL NO.	A L L	REMARKS
1	AL160390	HITCH	1		X	

WAGON HITCH COUPLING/MANUAL  
ACCOUPLMENT D'ATTELAGE DE CHARIOT/ MANUEL  
ANHAENGEVORRICHTUNGS-KUPPLUNG/ GETRIEBE  
ACCOPIAMENTO DELL'ATTACCO DEL CARRO/ GETRIEBE  
ACOPLAMIENTO DEL ENGANCHE DEL CARRO/ MANUAL  
DRAGANORDNINGSKOPPLING/ MANUELL

RXA0069757

-UN-06AUG03



RXA0069757

THIS PARTS LISTING IS CONTINUED

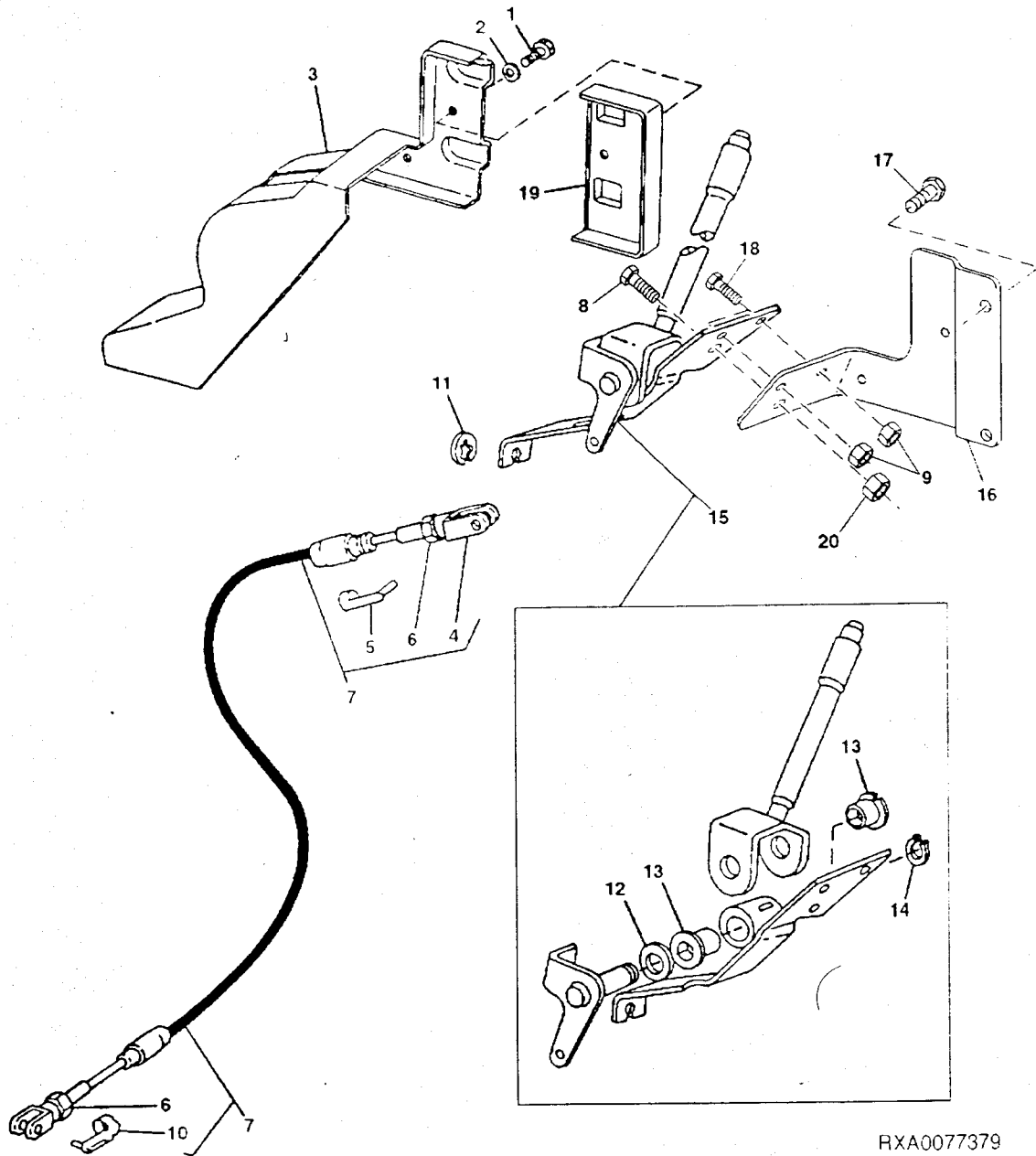
# 70-91

HYDRAULICS

KEY	PART NO.	PART NAME	QTY.	TRACTOR SERIAL NO.	A L L	REMARKS
1	AL160393	HITCH	1		X	
2	AL160394	PIN FASTENER	1		X	

WAGON HITCH CONTROLS  
COMMANDES D'ATTELAGE DU CHARIOT  
ANHAENGEVORRICHTUNG, STEUERUNGEN  
COMANDI DI ATTACCO DEL CARRO  
CONTROLES DEL ENGANCHE  
DRAGANORDNING, REGLAGE

RXA0077379 -UN-07SEP04



RXA0077379

## 70-93

HYDRAULIC

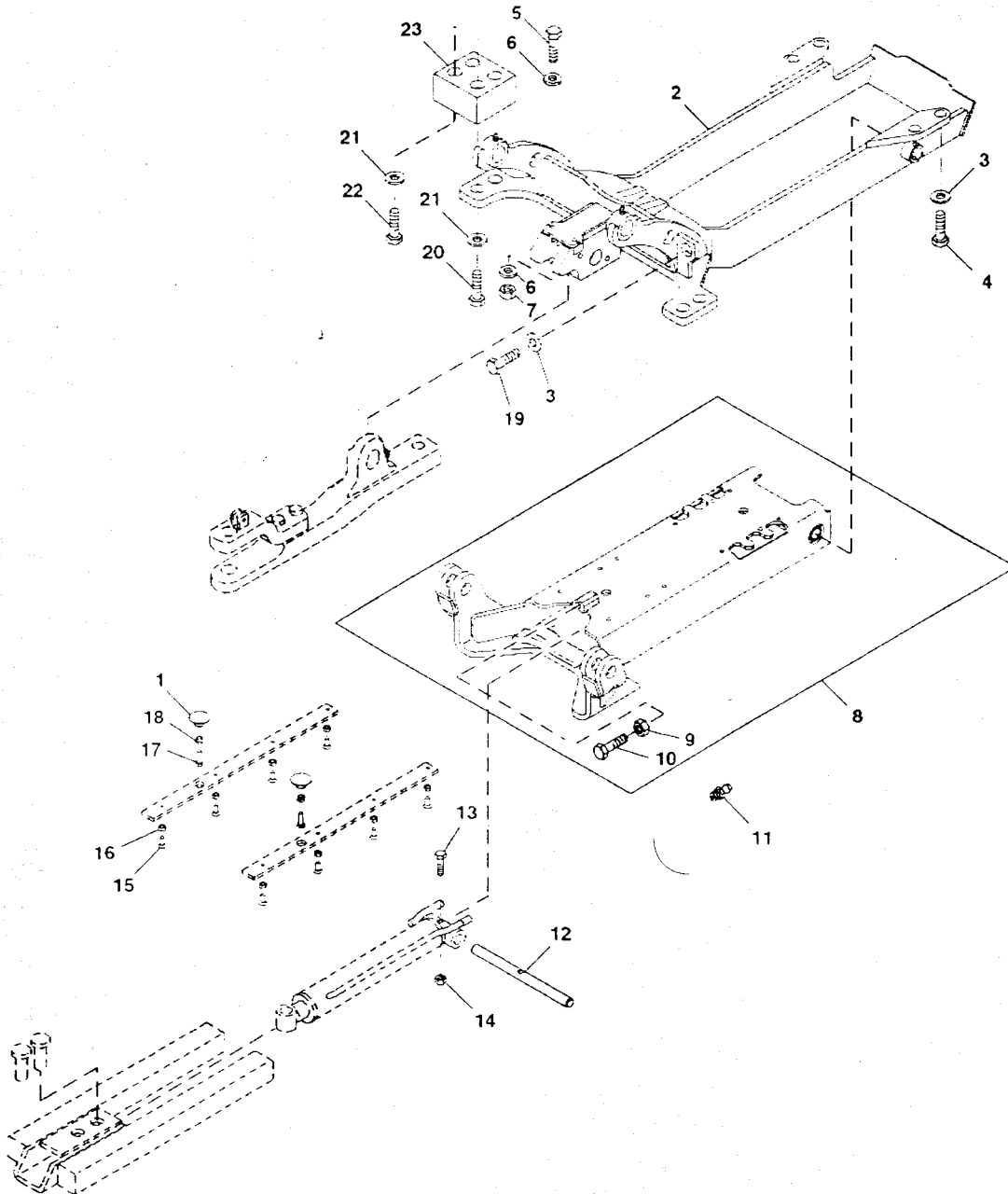
KEY	PART NO.	PART NAME	QTY.	TRACTOR SERIAL NO.	A L L	REMARKS
1	21M7292	SCREW	2		X	M6 X 16
2	24M7088	WASHER	2		X	6.600 X 12 X 1.600 MM
3	R115909	COVER	1		X	
4	L80052	YOKE	1		X	
5	45M7080	SPRING LOCKING PIN	1		X	
6	14M7272	NUT	2		X	M6
7	RE67052	PUSH PULL CABLE	1		X	
8	19M7167	CAP SCREW	1		X	M10 X 25
9	14M7273	NUT	2		X	M8
10	45M7101	SPRING LOCKING PIN	1		X	
11	L80455	CLIP	1		X	
12	24M7318	WASHER	1		X	19 X 34 X 3 MM
13	L79672	BUSHING	2		X	
14	40M7051	SNAP RING	1		X	
15	AL76708	ACTUATOR	1		X	
16	R207255	BRACKET	1		X	
17	19M7938	CAP SCREW	2		X	M10 X 20. HS 10.9
18	19M7139	CAP SCREW	2		X	M8 X 20
19	R125140	COVER	1		X	
20	14M7274	NUT	1		X	M10

# 70-94

HYDRA...CS

PICK-UP HITCH  
ATELAGE TELESCOPIQUE  
PICK-UP ANHAENGEVORRICHTUNG  
ATTACCO TELESCOPICO  
ENGANCHE EXTENSIBLE  
UTSKJUTBAR DRAGANORDNING

RXA0084462 -UN-06OCT05



RXA0084462

# 70-95

HYDRAULICS

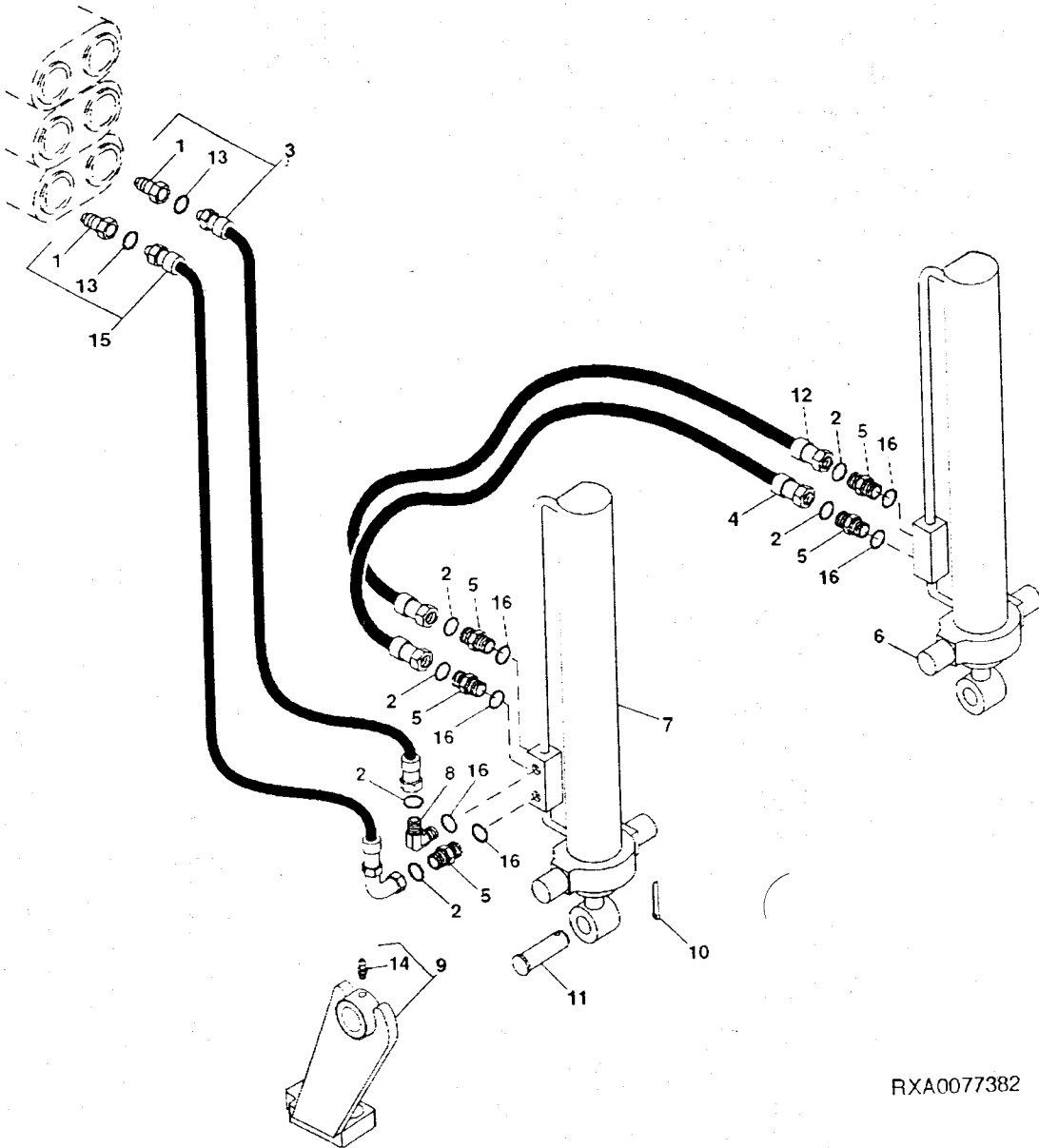
KEY	PART NO.	PART NAME	QTY.	TRACTOR SERIAL NO.	A L L	REMARKS
1	L150699	PLUG	2		X	
2	RE210613	SUPPORT	1		X	
3	24M7242	WASHER	6		X	21.400 X 42 X 5 MM
4	19M9142	CAP SCREW	4		X	M20 X 160, HS 10.9
5	19M7163	CAP SCREW	2		X	M8 X 25
6	24M7055	WASHER	4		X	8.400 X 16 X 1.600 MM
7	14M7166	LOCK NUT	2		X	M8
8	RE225449	HITCH	1		X	
9	14M7277	NUT	1		X	M20
10	19M8002	CAP SCREW	1		X	M20 X 55
11	JD7847	LUBRICATION FITTING	1		X	
12	L156429	PIN	1		X	
13	19M8397	CAP SCREW	1		X	M8 X 50
14	14M7166	LOCK NUT	1		X	M8
15	19M7573	SCREW	16		X	M8 X 20
16	14M7273	NUT	16		X	M8
17	19M7163	CAP SCREW	2		X	M8 X 25
18	AL151060	BUMPER	2		X	
19	19M9132	CAP SCREW	2		X	M20 X 50, HS 10.9
20	19M9374	CAP SCREW	4		X	M24 X 90, HS 10.9
21	L113738	WASHER	8		X	
22	19M7907	SCREW	4		X	M20 X 140, HS 10.9
23	R230997	SPACER	2		X	



PICK-UP HITCH CYLINDERS  
ATTELAGE TELESCOPIQUE, VERINS  
PICK-UP-ANHAENGEVORRICHTUNGSZYLINDER  
CILINDRI DELL'ATTACCO TELESCOPICO  
CILINDROS DEL ENGANCHE EXTENSIBLE  
UTSKJUTBAR DRAGANORDNING, CYLINDRAR

RXA0077382

-UN-20APR05



RXA0077382

THIS PARTS LISTING IS CONTINUED

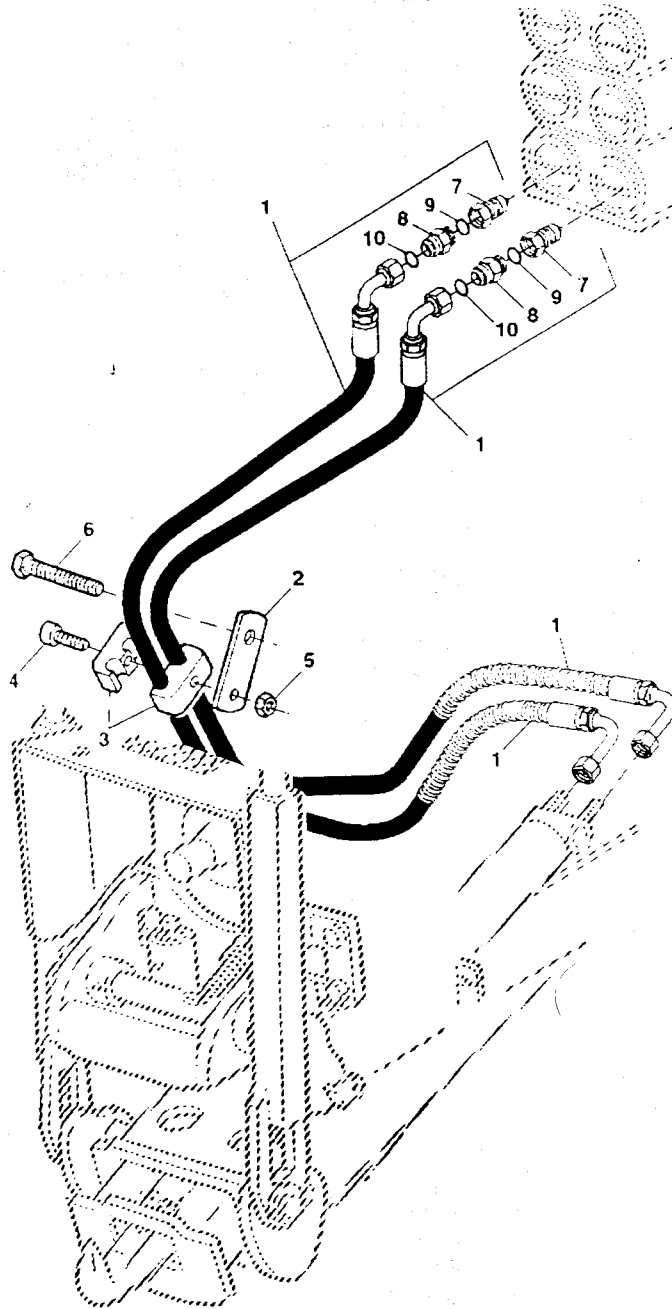
8130, 8230, 8330, 8430, 8530 TRACTORS PC9451 (12-APR-06) P. 25

KEY	PART NO.	PART NAME	QTY	TRACTOR SERIAL NO.	A	REMARKS
					L	
1	AR94522	HYDR. QUICK COUPLER PLUG	2		X	
2	T77613	O-RING	6		X	
3	RE206435	HYDRAULIC HOSE	1		X	
4	RE199316	HYDRAULIC HOSE	1		X	
5	38H5037	ADAPTER FITTING	5		X	
6	RE63209	CYLINDER	1		X	R.H.
7	RE63210	CYLINDER	1		X	L.H.
8	38H5035	ELBOW FITTING	1		X	
9	RE223460	BRACKET	1		X	L.H.
	RE223461	BRACKET	1		X	R.H.
10	11M7030	COTTER PIN	2		X	5 X 40 MM
11	T69354	PIN	2		X	(SUB R248075)
12	RE199330	HYDRAULIC HOSE	1		X	
13	R26375	O-RING	2		X	
14	58M5574	LUBRICATION FITTING	2		X	
15	RE206434	HYDRAULIC HOSE	1		X	
16	51M7042	O-RING	6		X	13.300 X 2.200 MM

PICK-UP HITCH HYDRAULIC HOSES  
CONDUITES HYDRAULIQUES  
HYDRAULIC SCHLAEUCHE  
TUBI IDRAULICI  
MANGUERAS HIDRAULICAS  
HYDRAULSLANGAR

RXA0077384

-UN-05MAY05



RXA0077384

THIS PARTS LISTING IS CONTINUED

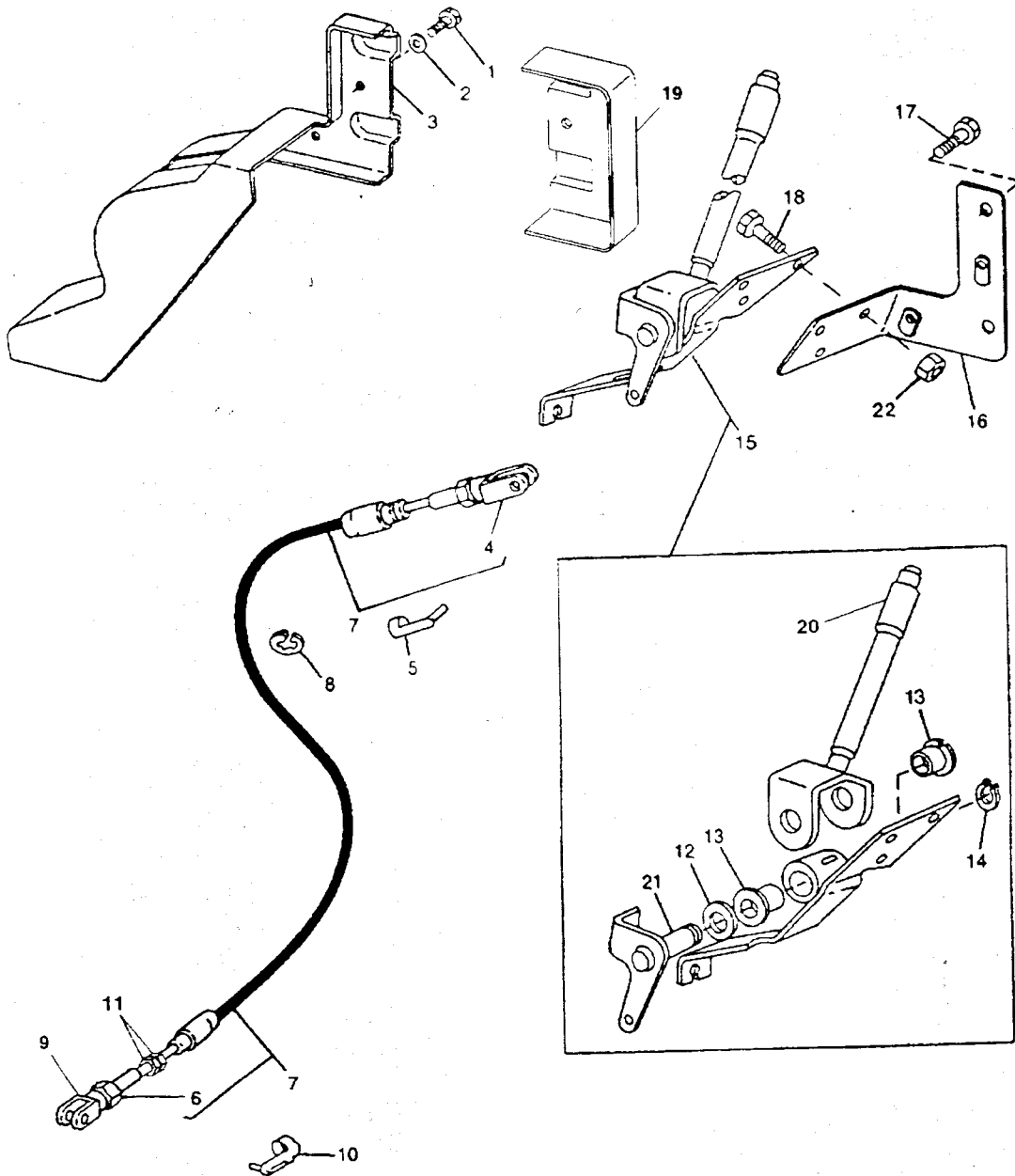
## 70-99

HYDRAULICS

KEY	PART NO.	PART NAME	QTY.	TRACTOR SERIAL NO.	A L L	REMARKS
1	RE234138	HYDRAULIC HOSE	2		X	
2	L100459	STRAP	1		X	
3	L39905	CLAMP	2		X	
4	19M8263	SCREW	1		X	
5	14M7272	NUT	2		X	
6	R107975	SCREW	1		X	
7	AR94522	HYDR. QUICK COUPLER PLUG	1		X	
8	38H1171	ADAPTER FITTING	1		X	
9	R26375	O-RING	1		X	
10	T77613	O-RING	1		X	

PICK-UP HITCH CONTROLS  
ATELAGE TELESCOPIQUE, COMMANDES  
PICK-UP ANHAENGEVORRICHTUNG, STEUERUNGEN  
COMANDI DI ATTACCO TELESCOPICO  
CONTROLES DEL ENGANCHE EXTENSIBLE  
UTSKJUTBAR DRAGANORDNING, REGLAGE

RXA0071113 UN-26SEP03



RXA0071113

THIS PARTS LISTING IS CONTINUED

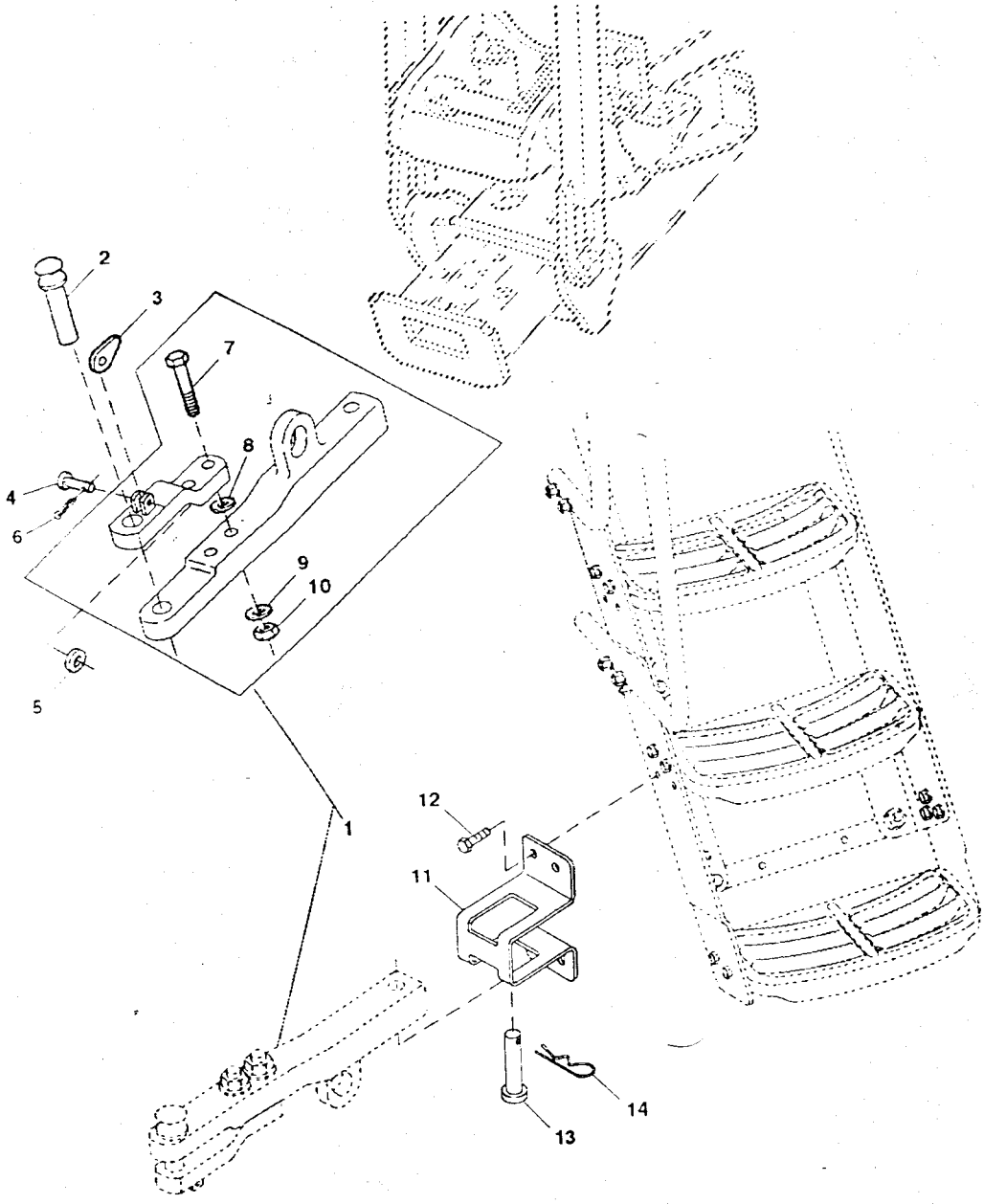
# 70-101

HYDRAULIC

KEY	PART NO.	PART NAME	QTY.	TRACTOR SERIAL NO.	A L L	REMARKS
1	21M7292	SCREW	2		X	M6 X 16
2	24M7088	WASHER	2		X	6.600 X 12 X 1.600 MM
3	R115909	COVER	1		X	
4	L80051	YOKE	1		X	
5	45M7101	SPRING LOCKING PIN	1		X	
6	14M7272	NUT	2		X	M6
7	RE183808	PUSH PULL CABLE	1		X	
8	L79076	SNAP RING	1		X	
9	L80052	YOKE	1		X	
10	45M7080	SPRING LOCKING PIN	1		X	
11	14M7209	NUT	2		X	M18
12	24M7318	WASHER	1		X	19 X 34 X 3 MM
13	L79672	BUSHING	2		X	
14	40M7051	SNAP RING	1		X	HS 10.9
15	AL78708	ACTUATOR	1		X	HS 10.9
16	.....	BRACKET	1		X	
17	19M7938	CAP SCREW	2		X	M10 X 20
18	19M7139	CAP SCREW	2		X	M8 X 20
19	R125140	COVER	1		X	
20	L61447	SPRING	1		X	
21	L110309	PIN FASTENER	1		X	
22	14M7273	NUT	2		X	M8

PICK-UP HITCH DRAWBAR  
BARRE D'ATTELAGE TELESCOPIQUE  
PICK-UP-ANHAENGE VORRICHTUNG, ZUGPENDEL  
BARRA DI TRAINO DELL'ATTACCO DI TRAINO  
BARRA DE TIRO DEL ENGANCHE EXTENSIBLE  
UTSKJUTBAR DRAGANORDNING, DRAGBOM

RXA0070935 UN-19SEP03



RXA0070935

THIS PARTS LISTING IS CONTINUED  
8130, 8230, 8330, 8430, 8530 TRACTORS PC9451 112-APR-03 PN=75

# 70-103

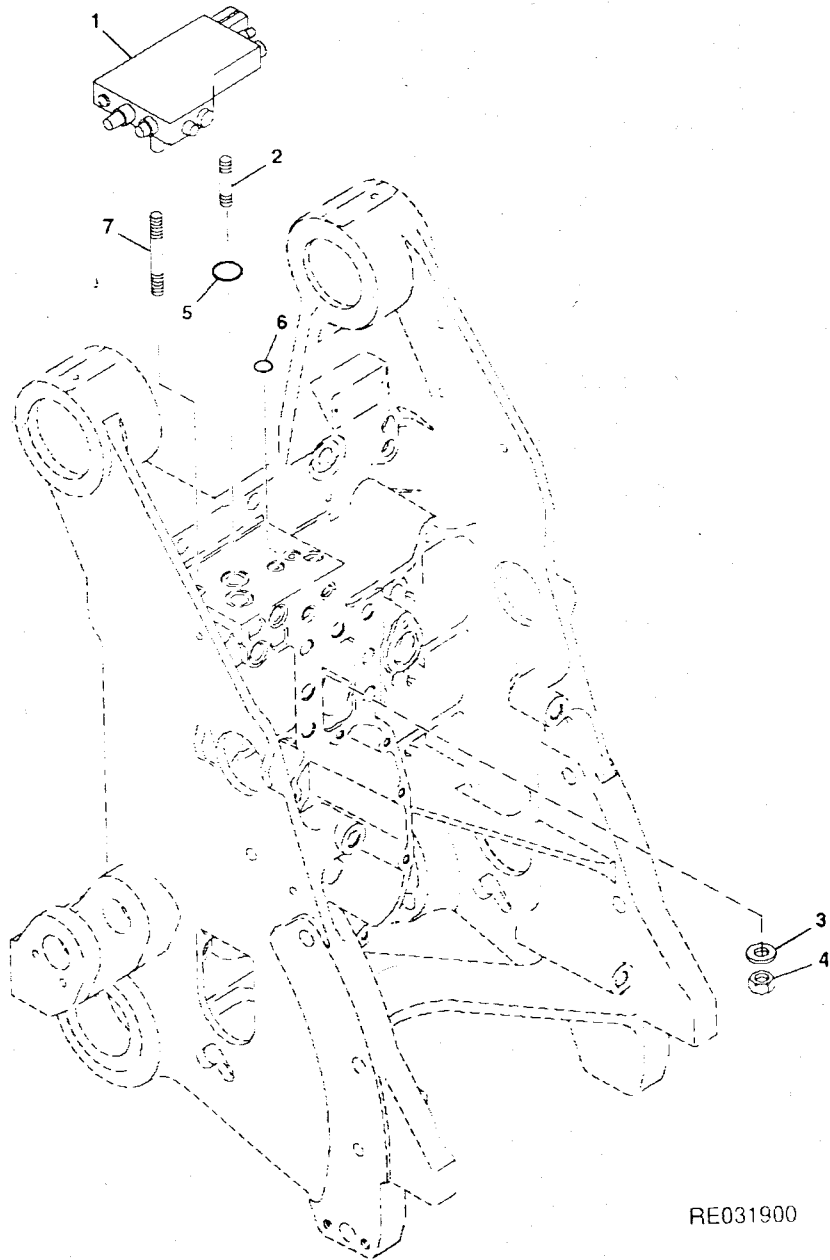
HYDRAULICS

KEY	PART NO.	PART NAME	QTY.	TRACTOR SERIAL NO.	A L L	REMARKS
1	AL159328	DRAWBAR	1		X	
2	L63825	PIN FASTENER	1		X	
3	L63826	LATCH	1		X	
4	R52107	PIN FASTENER	1		X	
5	24M7055	WASHER	1		X	2 X 14 MM
6	11M7008	COTTER PIN	1		X	M16 X 100
7	19M8020	CAP SCREW	2		X	
8	24M7097	WASHER	3		X	17 X 24 X 1 MM
9	24M7383	WASHER	2		X	M16
10	14M7276	NUT	2		X	HS 10.9
11	R211056	BRACKET	1		X	M10 X 35
12	19M7835	SCREW	3		X	20 X 70 MM
13	45M7070	PIN FASTENER	1		X	
14	A3581R	SPRING LOCKING PIN	1		X	



MOUNTING PARTS (HITCH VALVE)  
 PIECES D'ADAPTATION (SOUPAPE D'ATTELAGE)  
 ANBAUTEILE (ANHAENGEVORRICHTUNGSVENTIL)  
 PEZZI DI MONTAGGIO (VALVOLA DEL SOLLEVATORE)  
 PIEZAS DE MONTAJE (VALVULA DEL ENGANCHE)  
 MONTERINGSDELAR (LYFT, VENTIL)

RE031900 UN-10JUL00



RE031900

THIS PARTS LISTING IS CONTINUED

8130, 8230, 8330, 8430, 8530 TRACTORS PC9451 (12-APR-06)  
 PN=752

KEY	PART NO.	PART NAME	QTY.	TRACTOR SERIAL NO.	A L L	REMARKS
1	RE216640	SELECTIVE CONTROL VALVE	1		X (A)	
		MANIFOLD	1		X (B)	
2	42M7096	STUD	1		X	M12 X 115. HS 10.9
3	24M7240	WASHER	2		X	13 X 25 X 3 MM
4	14M7275	NUT	2		X	M12
5	T122075	O-RING	2		X	
6	T75497	O-RING	1		X	M12 X 145. HS 10.9
7	42M7062	STUD	1		X	

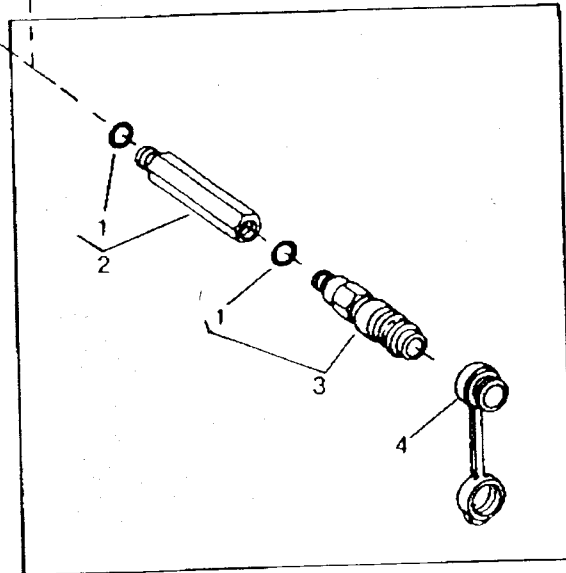
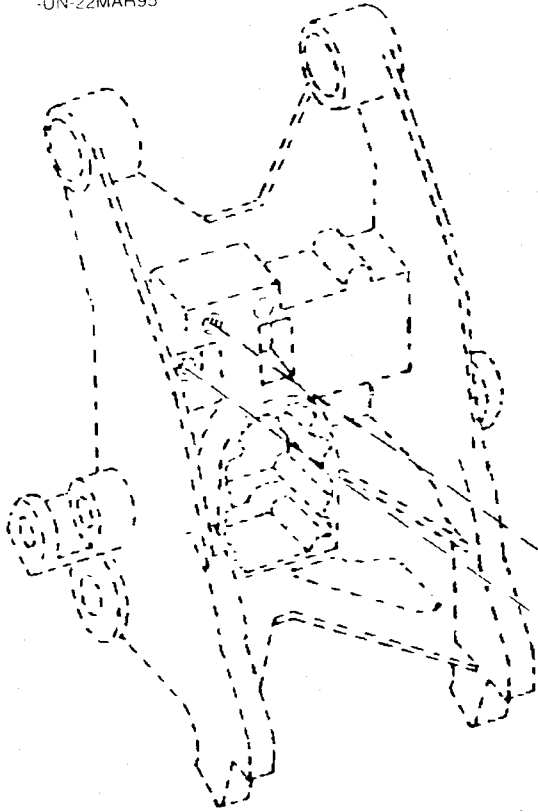
(A) W HITCH  
W/ ATTELAGE  
W/ ANHAENGEVORRICHTUNG  
W/ GANCIO  
W/ ENGANCHE  
W DRAG

(B) W/O HITCH  
W/O ATTELAGE  
W/O ANHAENGEVORRICHTUNG  
W/O GANCIO  
W/O ENGANCHE  
W/O DRAG

HYDRAULIC MOTOR RETURN OR SUMP KIT  
 JEU DE RETOUR OU CARTER DE MOTEUR HYDRAULIQUE  
 HYDRAULIKMOTOR-RUECKLAUF-ODER-WANNENSATZ  
 KIT DELLA COPPA O DEL RITORNO DEL MOTORE IDRAULICO  
 JEUGO DE RETORNO O SUMIDERO DEL MOTOR HIDRAULICO  
 SATS FOER HYDRAULMOTORRETUR ELLER SUMP

RE026074

-UN-22MAR95



RI:026074

THIS PARTS LISTING IS CONTINUED

# 70-107

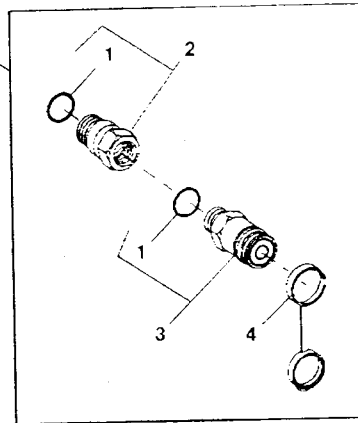
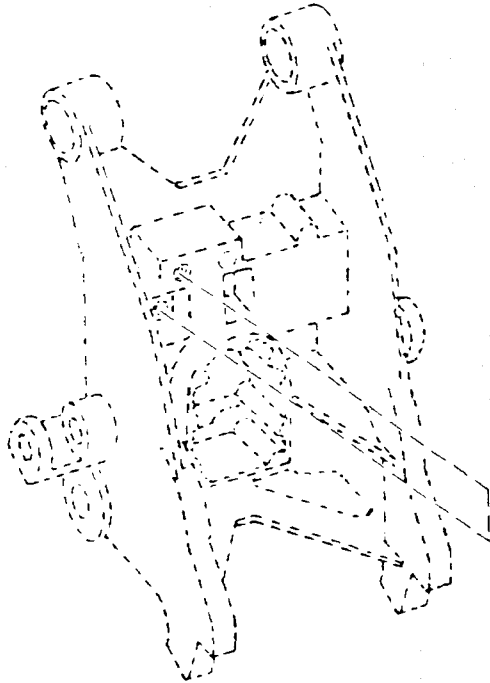
HYDPAULICS

KEY	PART NO.	PART NAME	QTY.	TRACTOR SERIAL NO.	A L L	REMARKS
1	51M7045	O-RING	2		X	19.300 X 2.200 MM
2	RE61791	ADAPTER FITTING	1		X	(SUB RE248312)
3	RE219422	HYD. QUICK-CONNECT COUPLER	1		X	
4	R124807	CAP	1		X	
5	AR114664	KIT	1		X	(F)

**FLUSH FACE CASE DRAIN COUPLER KIT**  
**KIT DE RACCORD DE DRAIN DE CARTER A FACE PLATE**  
**SATZ MIT FLACHEN GEHAEUSEABLASS-KUPPLERN**  
**KIT ATTACCHO DI SCARICO A FACCIA PIANA**  
**JUEGO DE ACOPLADORES DE VACIADO DE CAJA DE SUPERFICIE PLANA**  
**SATS MED FLATA KAAPDRAENERINGSKOPPLINGAR**

RXA0075468

-UN-14JUN04



RXA0075468

THIS PARTS LISTING IS CONTINUED

# 70-109

HYDRAULICS

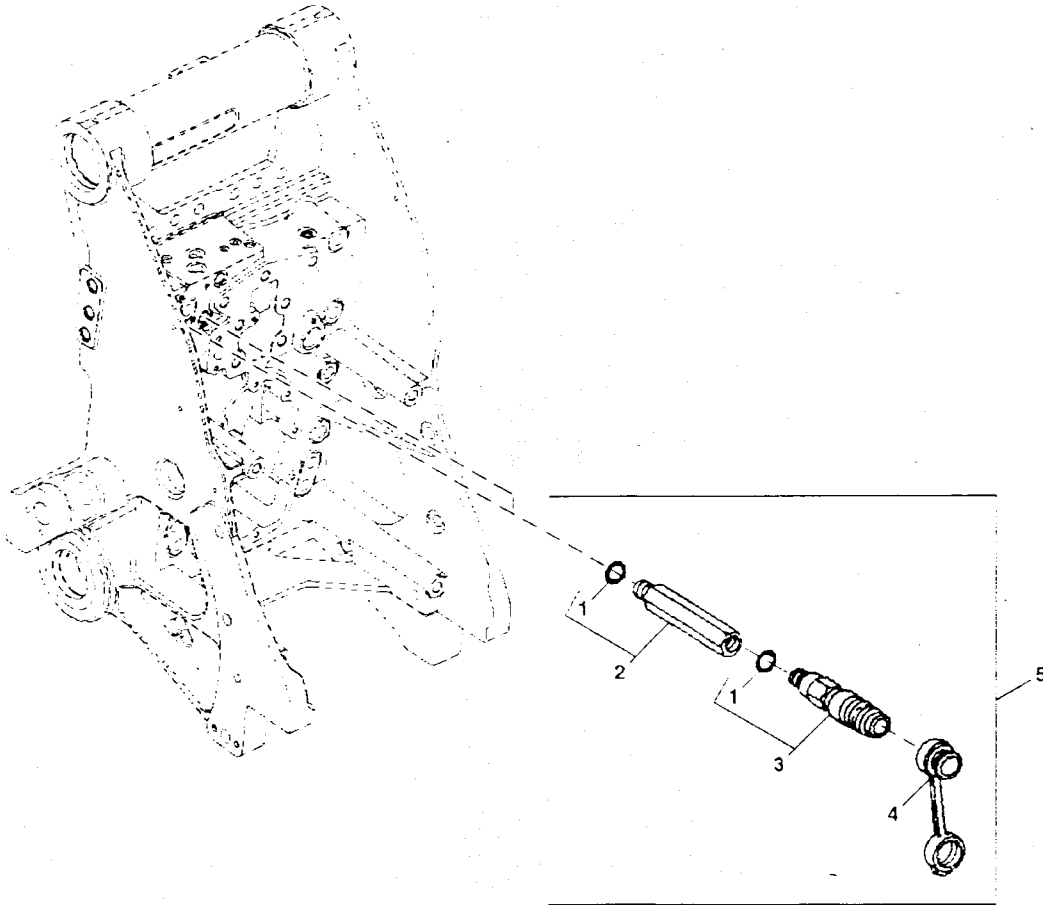
KEY	PART NO.	PART NAME	QTY.	TRACTOR SERIAL NO.	A L L	REMARKS
1	51M7045	O-RING	2		X	19.300 X 2.200 MM
2	RE151934	ADAPTER FITTING	1		X	(SUB RE248257)
3	RE222718	BREAKAWAY COUPLER	1		X	
4	R218933	COVER	1		X	
5	RE222721	FIELD INSTALLATION KIT	1		X	

# 70-110

HYDRAULICS

MULTIPLE HYDRAULIC MOTOR RETURN KIT  
KIT DE RACCORDS DE RETOUR MULTIPLES POUR MOTEURS HYDRAULIQUE  
MEHRFACH-HYDRAULIKMOTOR-RUECKLAUFSATZ  
KIT DELLA LINEA DI RITORNO MULTIPLA DEL MOTORE IDRAULICO  
JUEGO DE RETORNOS MULTIPLES PARA MOTOR HIDRAULICO  
SATS MED FLERA RETURANSLUTNINGAR FOER HYDRAULMOTOR

RXA0084911 -UN-10NOV05



RXA0084911

THIS PARTS LISTING IS CONTINUED

# 70-111

HYDRAULICS

KEY	PART NO.	PART NAME	QTY.	TRACTOR SERIAL NO.	A L L	REMARKS
1	51M7045	O-RING	2		X	19.300 X 2.200 MM
2	RE61791	ADAPTER FITTING	1		X	(SUB RE248312)
3	RE219422	HYD. QUICK-CONNECT COUPLER	1		X	
4	R124807	CAP	1		X	
5	AR114664	KIT	2		X	(FI)



HITCH STABILIZER (DELUXE) (EUROPEAN VERSION)

EUROPEENNE

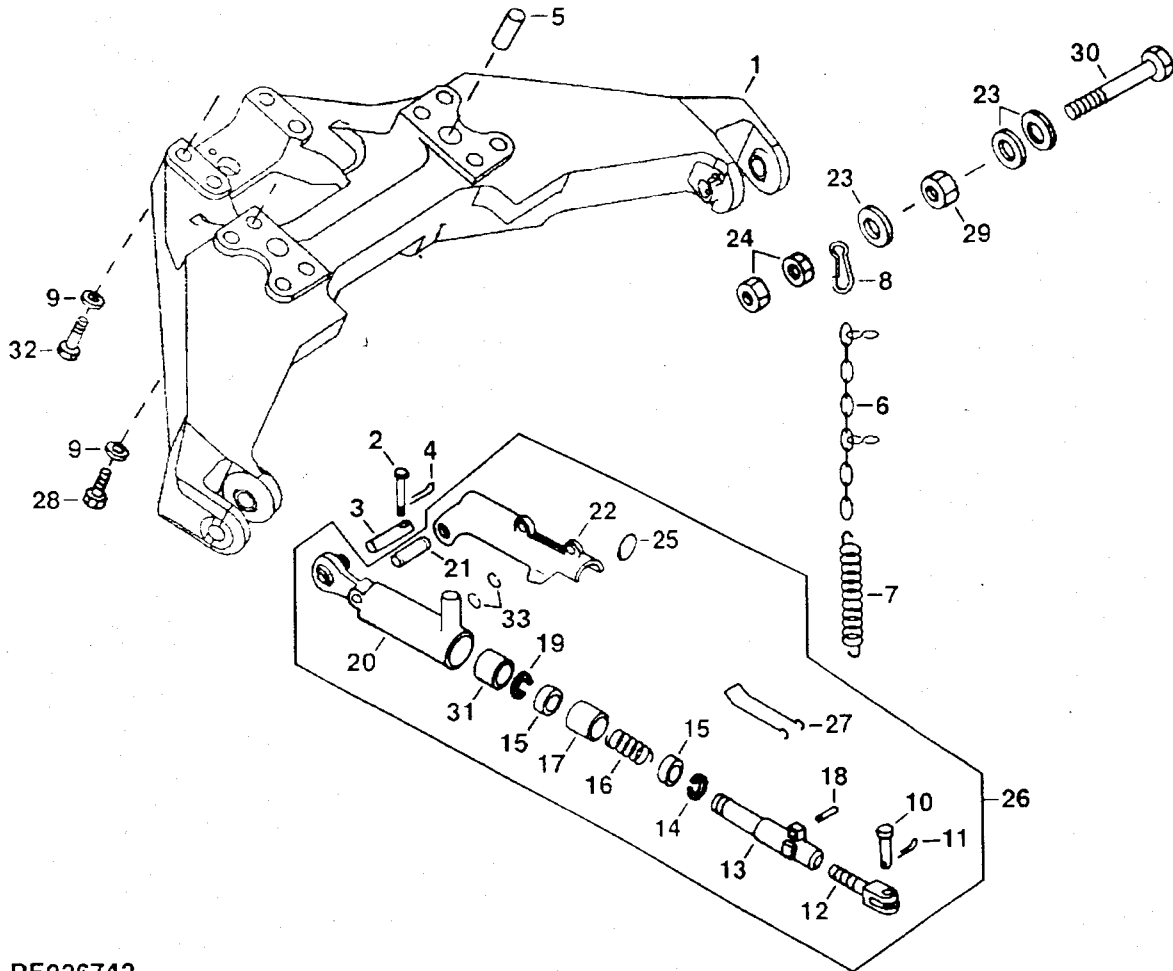
ANHAENGEVORRICHTUNG-STABILISATOR (LUXUS) (EUROPAEISCHE AUSFUEHRUNG)

STABILIZZATORE DELL'ATTACCO (DELUXE) (VERSIONE EUROPEA)

ESTABILIZADOR DEL ENGANCHE (DELUJO) (VERSION EUROPEA)

LYFTSTABILISATOR (LUX) (EUROPEISK VERSION)

RE026742 -UN-05JUN96



RE026742

THIS PARTS LISTING IS CONTINUED

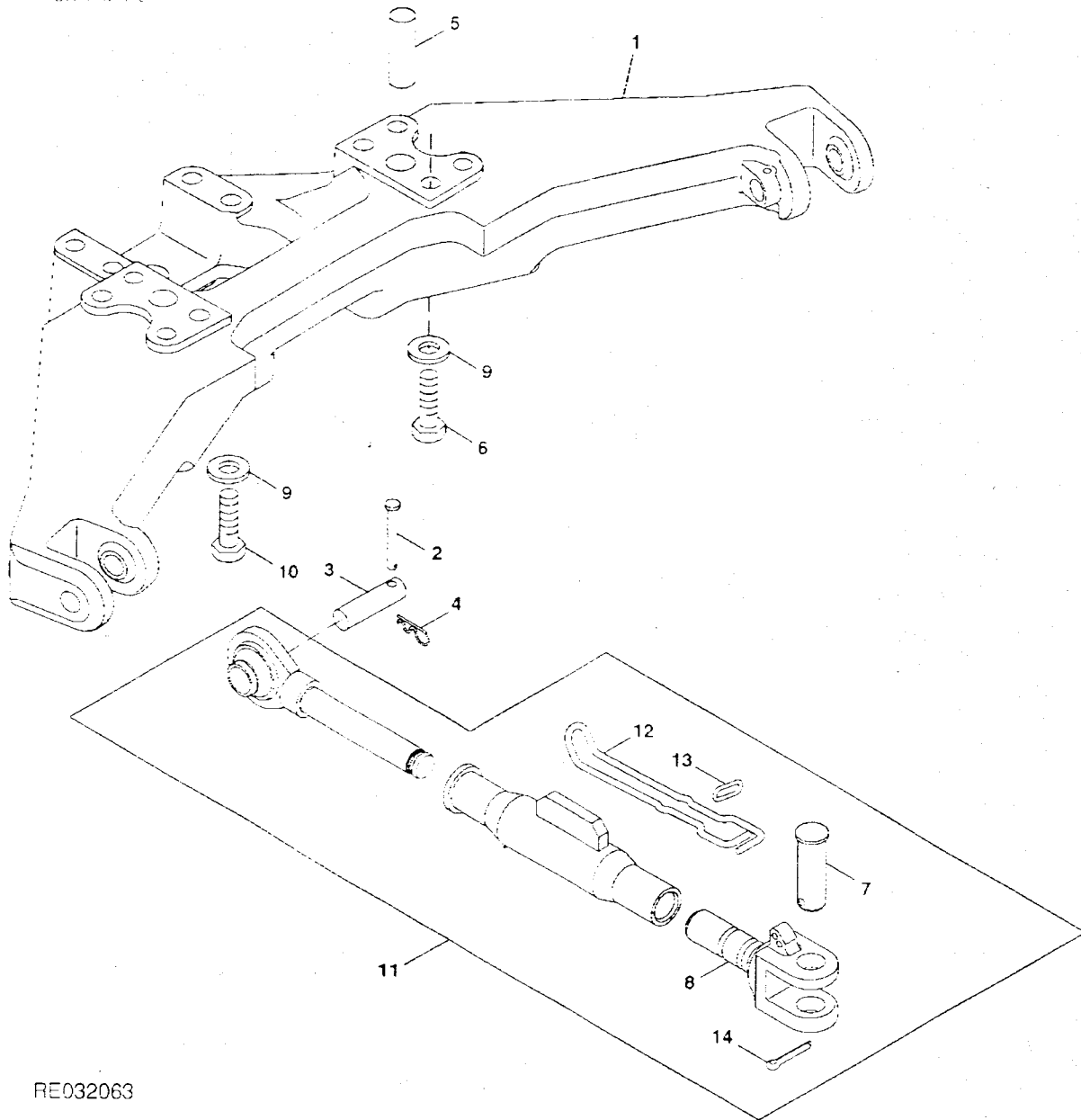
KEY	PART NO.	PART NAME	QTY.	TRACTOR SERIAL NO	A L L	REMARKS
1	R210646	SUPPORT	1		X	
2	R69166	PIN	2		X	
3	R121525	PIN	2		X	3.200 X 20 MM
4	11M7059	COTTER PIN	2		X	
5	T112635	PIN	2		X	
6	RE197932	LINK CHAIN	2		X	
7	L59573	EXTENSION SPRING	2		X	
8	L59572	HOOK	2		X	21.400 X 42 X 5 MM
9	24M7242	WASHER	12		X	
10	R125399	PIN	1		X	6.300 X 36 MM
11	11M7037	COTTER PIN	1		X	
12	R125397	YOKE	1		X	
13	L102193	TUBE	1		X	
14	40M7149	RING	2		X	
15	.....	RING	1		X	
16	.....	COMPRESSION SPRING	1		X	(A)
17	R129727	BUSHING	1		X	(B)
	R125398	BUSHING	1		X	10 X 35 MM
18	34M7071	SPRING PIN	1		X	
19	40M7159	SNAP RING	1		X	
20	RE63826	BALL JOINT	1		X	
21	R128043	PIN FASTENER	1		X	
22	R127727	CATCH	1		X	13 X 24 X 2.500 MM
23	24M7047	WASHER	AR		X	M12
24	14M7275	NUT	4		X	
25	R128093	RING	1		X	
26	RE63545	SUPPORT	2		X	
27	L102199	HANDLE	1		X	M20 X 140. HS 10.9
28	19M9140	CAP SCREW	8		X	M12
29	14M7275	NUT	2		X	M12 X 50. HS 10.9
30	19M7361	CAP SCREW	2		X	
31	.....	BUSHING	1		X	M20 X 140. HS 10.9
32	19M9140	CAP SCREW	4		X	
33	40M7080	SNAP RING	2		X	

(A) CATEGORY III  
 CATEGORIE III  
 KATEGORIE III  
 CATEGORIA III  
 CATEGORIA III  
 KATEGORI III

(B) UNRESTRICTED SWAY  
 OSCILLATION LIBRE  
 UNEINGESCHRAENKTES PENDELN  
 SPOSTAMENTO ILLIMITATO  
 OSCILACION NO RESTRINGIDA  
 OHAEMMAD PENDLING

HITCH STABILIZER (EUROPEAN VERSION)  
STABILISATEUR D'ATTELAGE (VERSION EUROPEENNE)  
ANHAENGEVORRICHTUNG-STABILISATOR (EUROPAEISCHE AUSFUEHRUNG)  
STABILIZZATORE DELL'ATTACCO (VERSIONE EUROPEA)  
ESTABILIZADOR DEL ENGANCHE (VERSION EUROPEA)  
LYFTSTABILISATOR (EUROPEISK VERSION)

RE032183 JUN-17MAY01



RE032063

THIS PARTS LISTING IS CONTINUED

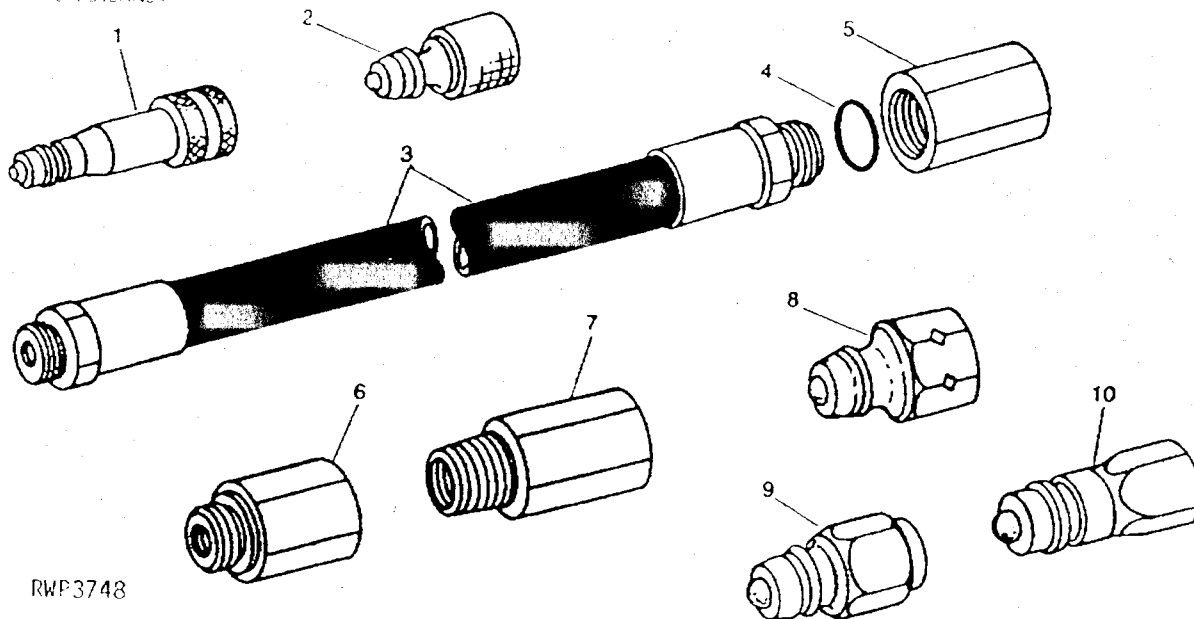
## 70-115

HYDRAULIC

KEY	PART NO.	PART NAME	QTY.	TRACTOR SERIAL NO.	A L L	REMARKS
1	R210646	SUPPORT	1		X	
2	R69166	PIN	2		X	
3	R121525	PIN	2		X	
4	11M7059	COTTER PIN	2		X	3.200 X 20 MM
5	T112635	PIN	2		X	
6	19M9140	CAP SCREW	8		X	M20 X 140, HS 10.9
7	R125399	PIN	1		X	
8	R166057	ROD	1		X	
9	24M7242	WASHER	12		X	21.400 X 42 X 5 MM
10	19M9140	CAP SCREW	4		X	M20 X 140, HS 10.9
11	RE174238	LIFT LINK	2		X	
12	R174714	HANDLE	1		X	
13	R174716	CLIP	1		X	
14	11M7037	COTTER PIN	1		X	6.300 X 36 MM

IMPLEMENT HYDRAULIC OIL LINES AND FITTINGS  
 RACCORDS ET FLEXIBLES HYDRAULIQUES  
 OELLEITUNGEN UND FITTINGS FUER GERAETE  
 TUBI FLESSIBILI IDRAULICI E RACCORDI PER EQUIPAGGIAMENTO  
 INSTALE MANGUERAS HIDRAULICAS Y CONEXIONES  
 HYDRAULOLJEL EDI. TÖTNINGAR, REDSKAP

RWP3748 N-011AN94



RWP3748

KEY	PART NO.	PART NAME	QTY.	TRACTOR SERIAL NO.	A L L	REMARKS
1	AR98202	ADAPTER FITTING	1		X	JOHN DEERE ISO (W/ R21722)
	R21722	O-RING	1		X	
	RE11457	ADAPTER FITTING	1		X	IHC ISO (W/ U11647)
	U11647	O-RING	1		X	
2	AR98201	HYDR. QUICK COUPLER PLUG	1		X	ISO JOHN DEERE (W/ R21722 / R71387)
	RE11456	ADAPTER FITTING	1		X	IHC JOHN DEERE
	RE11458	ADAPTER FITTING	1		X	JOHN DEERE IHC (W/ R21722)
	RE11463	ADAPTER FITTING	1		X	ISO IHC (W/ R21722)
	R21722	O-RING	1		X	
	R71387	WASHER	1		X	
3	TY3018	HYDRAULIC HOSE	1		X	10 X 610 MM (3/8" X 24")
	TY3019	HYDRAULIC HOSE	1		X	10 X 914 MM (3/8" X 36")
	R36658	HYDRAULIC HOSE - FABRICATE	1		X	13 X 610 MM (1/2" X 24")
	R36659	HYDRAULIC HOSE - FABRICATE	1		X	13 X 914 MM (1/2" X 36")
4	R26375	O-RING	1		X	
5	R30815	FITTING	1		X	(A) 19.05 MM (3/4")
6	R30817	ADAPTER FITTING	1		X	3/4"-16UNF (B) X 1/2"-14NPT (C)
7	R30816	ADAPTER FITTING	1		X	1/2"-14NPT (B) X 3/4"-UNF (C)
8	AR93820	HYDR. QUICK COUPLER PLUG	1		X	JOHN DEERE, 3/4"-16 UNF
9	RE11447	HYDR. QUICK COUPLER PLUG	1		X	(B) JOHN DEERE, 1/2"-14 NPT
10	AR94522	HYDR. QUICK COUPLER PLUG	1		X	(B) ISO, 3/4"-16 UNF
	C14618	HYDR. QUICK COUPLER PLUG	1		X	(B) ISO, 1/2"-14 NPSF

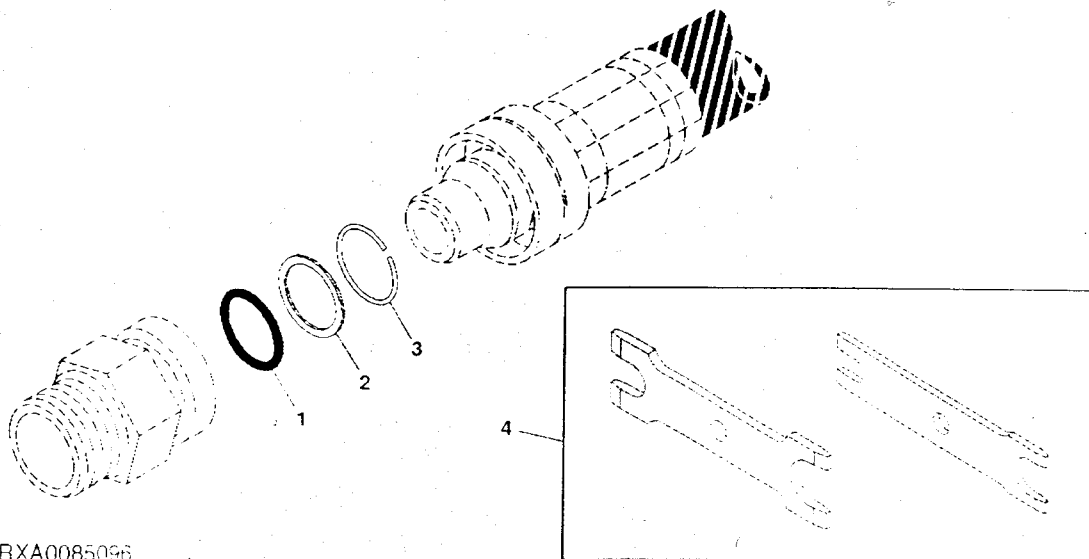
(A) THREAD  
 PAS DE VIS  
 GEWINDE  
 FILO  
 ROSCA  
 GAENGA

(B) MALE  
 MALE  
 AUSSENGEWINDE  
 MASCHIO  
 MACHO  
 HANKONTAKT

(C) FEMALE  
 FEMELLE  
 INNENGEWINDE  
 FEMMINA  
 HEMBRA  
 HONKONTAKT

STC (SNAP TO CONNECT) REPAIR RINGS  
 ANNEXA DE REPARACION STC (SNAP TO CONNECT)  
 STC (SNAP TO CONNECT)-REPARATURRINGE  
 ANELLI DI RIPARAZIONE STC (SNAP TO CONNECT)  
 ANILLOS DE REPARACION STC (SNAP TO CONNECT)  
 STC (SNAP TO CONNECT) REPARATIONSRINGAR

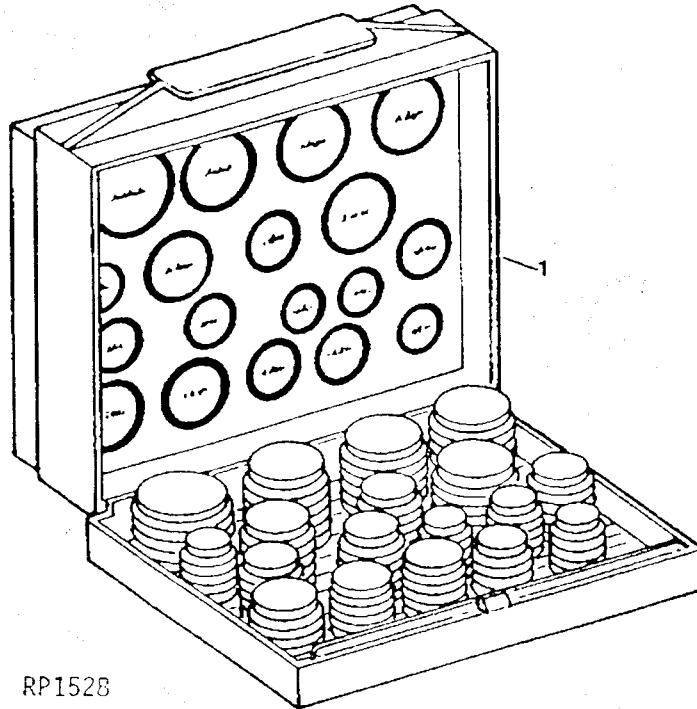
RXA0085096 -UN-18NOV03



KEY	PART NO.	PART NAME	QTY.	TRACTOR SERIAL NO.	A L L	REMARKS
1	R223848	O-RING	AR		X (STC -6)	
	R223849	O-RING	AR		X (STC -8)	
	R223850	O-RING	AR		X (STC -10)	
2	R223852	O-RING	AR		X (STC -12)	
	R223856	BACK-UP RING	AR		X (STC -6)	
	R223857	BACK-UP RING	AR		X (STC -8)	
3	R223858	BACK-UP RING	AR		X (STC -10)	
	R223859	BACK-UP RING	AR		X (STC -12)	
	R223860	RING	AR		X (STC -6)	
4	R223861	RING	AR		X (STC -8)	
	R223862	RING	AR		X (STC -10)	
	R223863	RING	AR		X (STC -12)	
4	JDG1885	SPECIAL SERVICE TOOL	1		X (STC -5, -8, -10, -12)	

O-RING KIT  
 JEU DE PIECES DE JOINT TORIQUE  
 O-RINGSATZ  
 SERIE PEZZI ANELLI O-R  
 JUEGO DE ANILLO TORICO  
 O-RINGSATS

RP1528 -UN-01JAN94



RP1528

KEY	PART NO.	PART NAME	QTY.	TRACTOR SERIAL NO.	A L L	REMARKS
1	AR73500	KIT	1		X (A)	
	TY15939	O-RING KIT	1		X (B)	
	AT35197	O-RING KIT	1		X (C)	

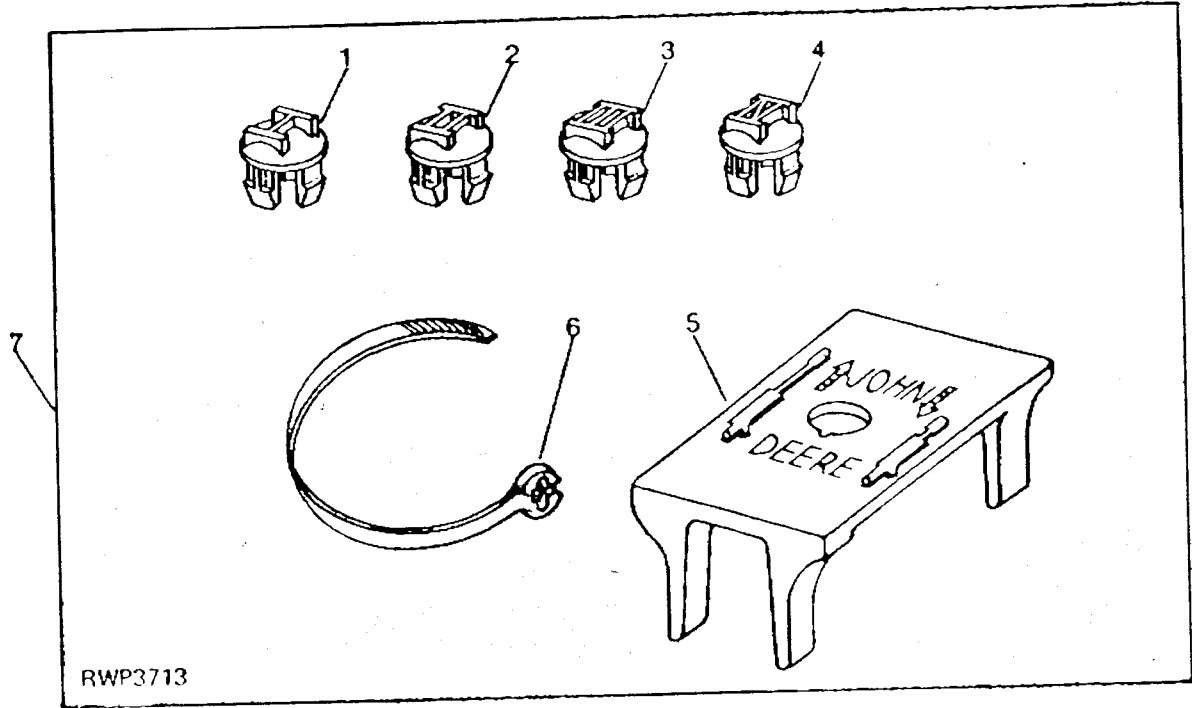
(A) HYDRAULIC  
 SYSTEMES HYDRAULIQUES  
 HYDRAULISCHE ANLAGE  
 IDRAULICI  
 HIDRAULICO  
 HYDRAUL

(B) AIR CONDITIONING  
 JOINT TORIQUE D'AIR CONDITIONNE  
 O-RING FUER KLIMAAANLAGE  
 ANELLO DI GUARNIZIONE ARIA CONDIZIONATA  
 ANILLO TORICA PARA ACONDICIONADOR DE  
 LUFTKONDITIONERING O-RING

(C) FLAT FACE  
 FACE PLATE  
 FLACHE STIRNFLAECHE  
 SUPERFICIE PIATTA  
 CARA PLANA  
 PLAN YTA

HOSE IDENTIFICATION KIT  
 KIT D'IDENTIFICATION DE FLEXIBLES  
 SCHLAUCHKENNSATZ  
 KIT DI IDENTIFICAZIONE TUBO FLESSIBILE  
 JUEGO DE IDENTIFICACION DE MANGUERAS  
 SLANGIDENTIFIERINGSSATS

RWP3713 -UN-01JAN94



KEY	PART NO.	PART NAME	QTY.	TRACTOR SERIAL NO.	A L L	REMARKS
1	R74242	PLUG	1		X	
2	R74243	PLUG	1		X	
3	R74244	PLUG	1		X	
4	R74246	PLUG	1		X	
5	R76459	TAG	1		X	
6	R76477	TIE BAND	2		X	
7	AR103808	KIT	1		X	



# 71-A01

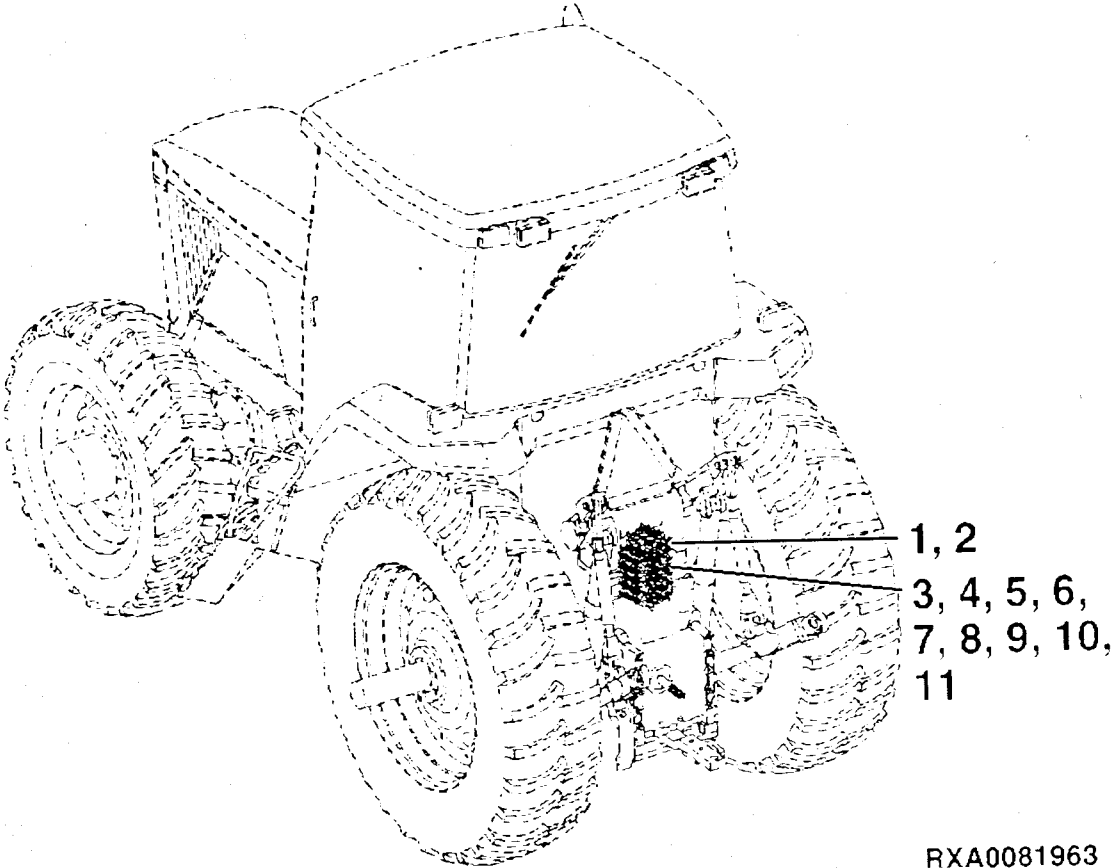
SELECTIVE CONTROL VALVE

SECTIONAL INDEX  
INDEX DE SECTION  
GRUPPENINDEX  
INDICE DELLA SEZIONE  
INDICE DE SECCION  
GRUPPSFORTECKNING

RXA0081963

-UN-

1-	1
1-	2
2-	4
3-	6
4-	8
5-	10
6-	11
7-	12
8-	14
9-	16
10-	18
10-	19
11-	20

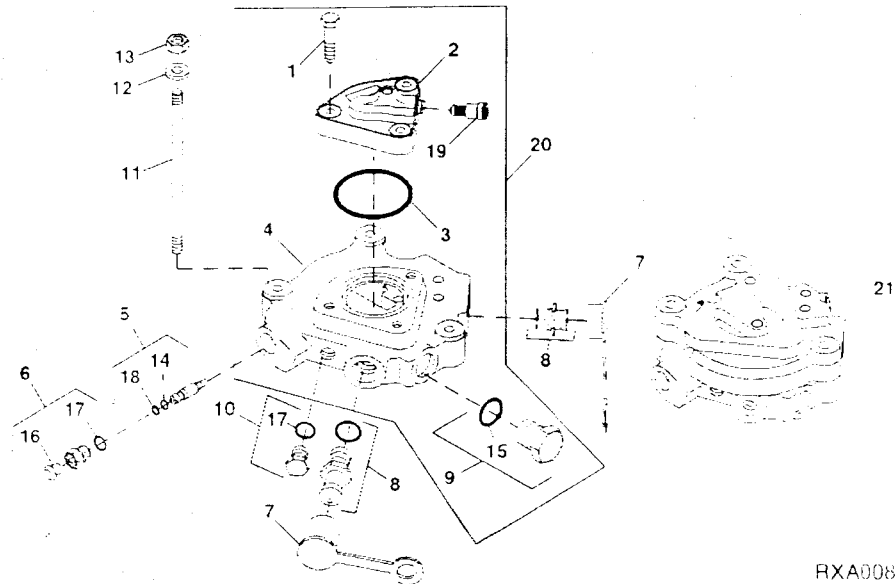


1, 2  
3, 4, 5, 6,  
7, 8, 9, 10,  
11

RXA0081963

END COVER (SELECTIVE CONTROL VALVE)  
 EMBOUT (DISTRIBUTEUR SELECTIF)  
 ENDABDECKUNG (ZUSATZSTEUERGERAET)  
 COPERCHIO TERMINALE (VALVOLA DI CONTROLLO SELETTIVO)  
 TAPA TERMINAL (VALVULA DE CONTROL SELECTIVO)  
 AENDSKYDD (SELEKTIV MANOEVERVENTIL)

RXA0083591 -UN-293UG05



RXA0083591

KEY	PART NO.	PART NAME	QTY.	TRACTOR SERIAL NO.	A L L	REMARKS
1	19M8775	CAP SCREW	3		X (C)	M10 X 25
	24M7240	WASHER	3		X (C)	13 X 25 X 3 MM
2	RE232690	COVER	1		X (C)	
3	R95494	O-RING	1		X (C)	
4	RE178603	COVER	1		X (C)	
5	RE182868	SCREW	1		X (A)	
6	RE182867	PLUG	1		X	
7	R77175	COVER	3		X	
8	RE190805	DIAGNOSTIC COUPLING	3		X	
9	RE46687	DRAIN PLUG	1		X (C)	
10	RE46684	PLUG	1		X (B) (C)	
11	R112300	STUD	3		X	(3 SCV)
	R112442	STUD	3		X	(4 SCV)
	R122148	BOLT	3		X	(5 SCV)
12	24M7240	WASHER	3		X	HS 10.9
13	E69392	NUT	3		X	
14	R151700	O-RING	1		X	
15	51M7045	O-RING	1		X	19.300 X 2.200 MM
16	R113228	PLUG	1		X	
17	51M7041	O-RING	2		X	11.300 X 2.200 MM
18	R113223	BACK-UP RING	1		X	
19	RE229062	PRESSURE RELIEF FITTING	1		X	
20	RE239150	KIT	1		X (C)	
21	RE229064	COVER	1		X (B)	

(A) MANUAL LOWER  
 ABAISSEMENT MANUEL  
 HAND-ABSENKUNG

ABBASSAMENTO MANUALE  
 BAJADA MANUAL  
 MANUELL SAENKNING

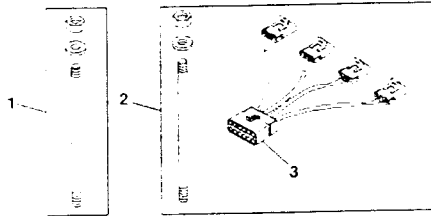
(C) DELUXE COVER  
 COUVERCLE D'EXTREMITE DE LUXE  
 LUXUS-ENDABDECKUNG

COPERTURA STANDARD DELL'EXTREMITA'  
 CUBIERTA DE EXTREMO LUJO  
 LYXAENDSKYDD

(B) STANDARD COVER  
 COUVERCLE D'EXTREMITE STANDARD  
 STANDARD-ENDABDECKUNG  
 COPERTURA STANDARD DELL'EXTREMITA'  
 CUBIERTA DE EXTREMO ESTANDAR  
 STANDARDAENDSKYDD

SELECTIVE CONTROL VALVE CONVERSION KIT  
 JEU DE PIÈCES DE CONVERSION DE DISTRIBUTEUR SELECTIF  
 STEUERGERÄT-UMBAUSATZ  
 SERIE PEZZI PER CONVERSIONE DISTRIBUTORE SELETTIVO  
 JUEGO DE CONVERSION SELECTIVA DE LA VALVULA DE CONTROL  
 OMBYGGNADSSATS. VÄLJARVENTIL

RXA0087808 UN 13 MAR 06

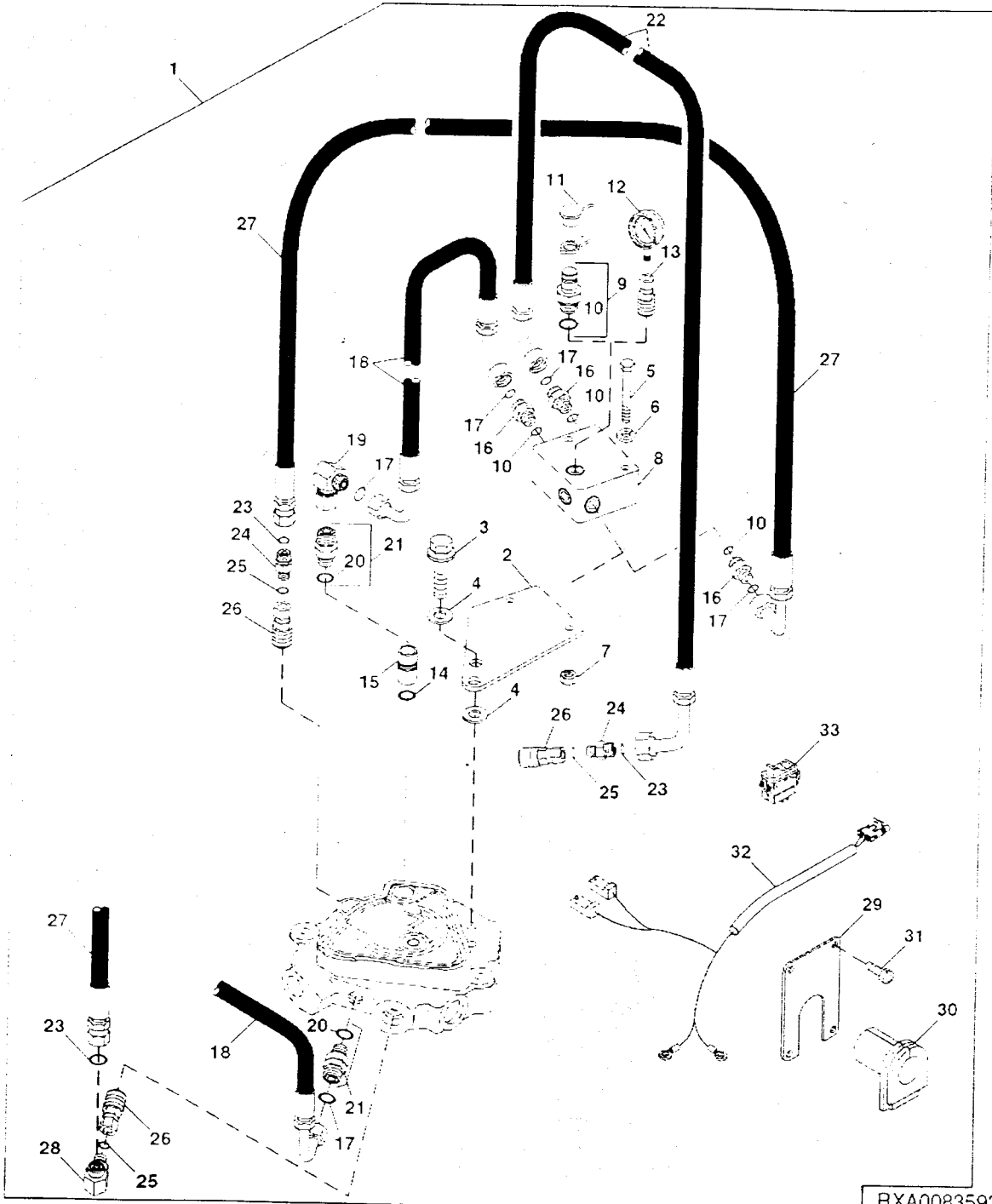


HXA0087808

KEY	PART NO.	PART NAME	QTY.	TRACTOR SERIAL NO.	A L L	REMARKS
1	RE233679	KIT	1		X (4 SCV)	
2	RE233678	KIT	1		X (5 SCV)	
3	RE259551	WIRING HARNESS	1		X	

LOW STAND-BY PRESSURE CONTROL KIT  
 KIT DE CONTROLE DE BASSE PRESSION DE REPOS  
 REGLERSATZ FUER GERINGEN BEREITSCHAFTSDRUCK  
 KIT DI CONTROLLO BASSA PRESSIONE IN STAND-BY  
 JUEGO DE CONTROL DE PRESION DE ESPERA BAJA  
 REGLERSATS FOER LAAGT RESERVTRYCK

RXA0083592 UN-25AUG65



RXA0083592

KEY	PART NO.	PART NAME	QTY	TRACTOR SERIAL NO	A L L	REMARKS
1	RE221284	FIELD INSTALLATION KIT	1		X	
2	R216791	BRACKET	1		X	
3	R317788	SCREW	2		X	M12 X 25
4	24M7095	WASHER	4		X	8.400 X 15 X 1.600 MM
5	19M7274	CAP SCREW	2		X	M8 X 70
6	12M7065	LOCK WASHER	2		X	8 MM
7	13M7273	NUT	2		X	M8
8	RE216940	VALVE	1		X	
9	RE190805	DIAGNOSTIC COUPLING	1		X	
10	51M7041	O-RING	4		X	11.300 X 2.200 MM
11	R77175	COVER	1		X	
12	RE220077	PRESSURE GAUGE	1		X	
13	RE219698	HYD. QUICK-CONNECT COUPLER	1		X	(C)
14	R196840	RING	1		X	(A) (C) (INCLUDES T11899 AND (2) R133794)
15	RE58763	SPACER	1		X	(B) (C)
	RE213458	SPACER	1		X	
16	38H5037	ADAPTER FITTING	3		X	
17	T77613	O-RING	5		X	
18	RE216480	HYDRAULIC HOSE	1		X	(C)
19	38H5145	ELBOW FITTING	2		X	(C) 11.300 X 2.200 MM
20	51M7041	O-RING	1		X	
21	RE49091	FITTING	1		X	
22	RE216481	HYDRAULIC HOSE	1		X	
23	T77814	O-RING	3		X	
24	38H1159	ADAPTER FITTING	2		X	
25	R28782	O-RING	3		X	
26	RE219269	HYD. QUICK-CONNECT COUPLER	2		X	
27	RE216479	HYDRAULIC HOSE	1		X	(D)
28	38H1003	ELBOW FITTING	1		X	
29	R130962	PLATE	1		X	
30	R112653	GROMMET	1		X	
31	37M7162	SCREW	4		X	
32	RE220015	WIRING HARNESS	1		X	
33	AM131969	TOGGLE/ROCKER SWITCH	1		X	0.190" X 1/4"
	22H912	SET SCREW	1		X	

(A) NARROW VALVE COVER  
CACHE-SOUPAPE ETROITE  
SCHMALER VENTILDECKEL  
COPERCHIO VALVOLE STRETTO  
CUBIERTA DE VALVULAS ESTRECHA  
SMALT VENTILLOCK

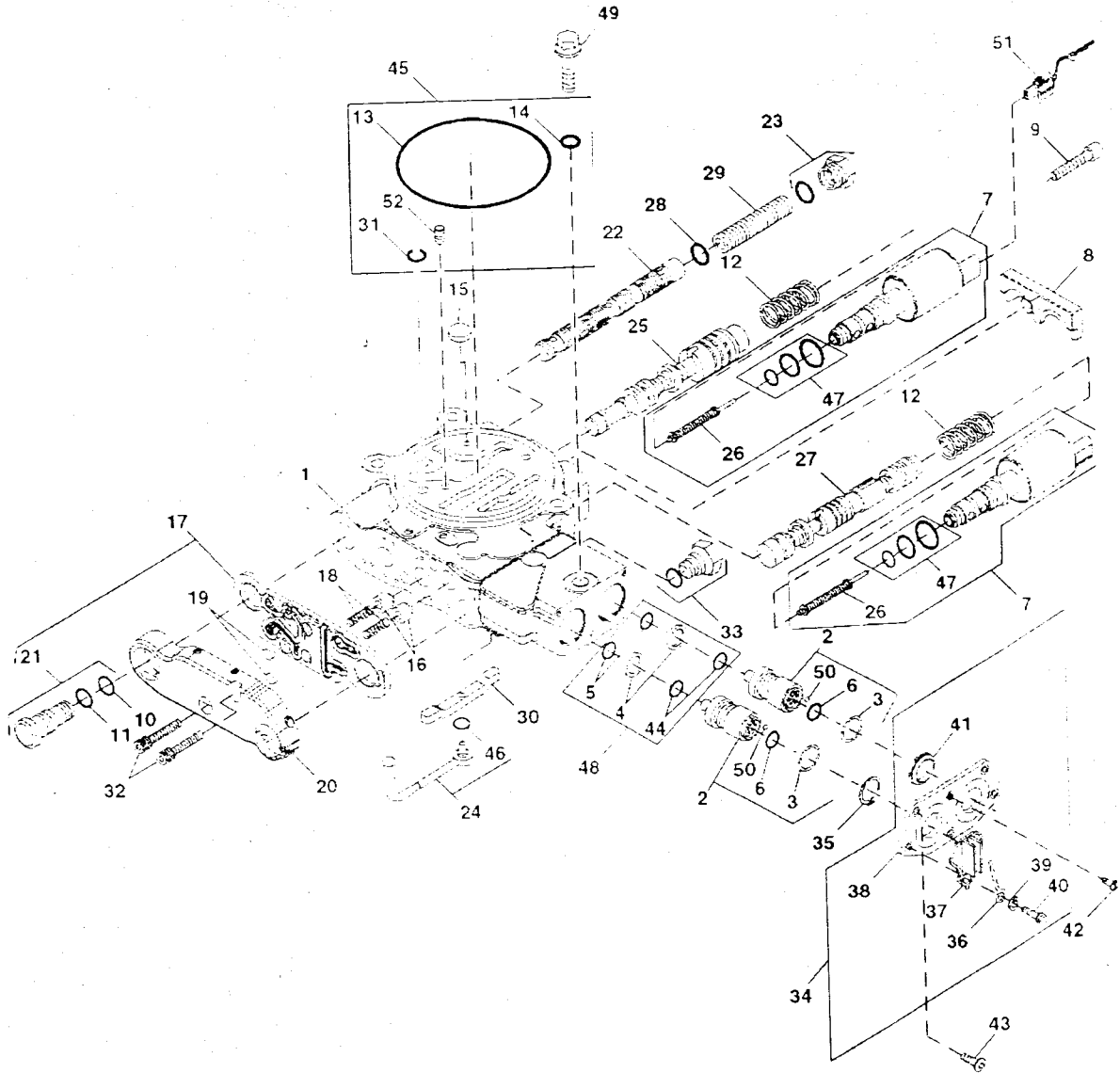
(C) STANDARD END COVER  
COUVERCLE D'EXTREMITE STANDARD  
STANDARD-ENDABDECKUNG  
COPERTURA STANDARD DELL'ESTREMITA  
CUBIERTA DE EXTREMO ESTANDAR  
STANDARDAENDSKYDD

(B) WIDE VALVE COVER  
CACHE-SOUPAPE LARGE  
BREITER VENTILDECKEL  
COPERCHIO VALVOLE LARGO  
CUBIERTA DE VALVULAS ANCHA  
BRETT VENTILLOCK

(D) DELUXE END COVER  
COUVERCLE D'EXTREMITE DE LUXE  
LUXUS-ENDABDECKUNG  
COPERTURA DELUXE DELL'ESTREMITA  
CUBIERTA DE EXTREMO DE LUJO  
LYXAENDSKYDD

SELECTIVE CONTROL VALVE  
SOUPAPE D'ATTELAGE/ REPARTITEUR D'ATTELAGE  
ANHAENGEVORRICHTUNGSVENTIL/ REGELHYDRAULIK-VERTEILERGEHAEUSE  
VALVOLA DEL SOLLEVATORE/ COLLETTORE DELL'ATTACCO  
VALVULA DEL ENGANCHE/ COLECTOR DEL ENGANCHE  
LYFT. VENTIL/ HYFTFOERDELARE

RXA0088090 -UN-28/MAR06



RXA0088090

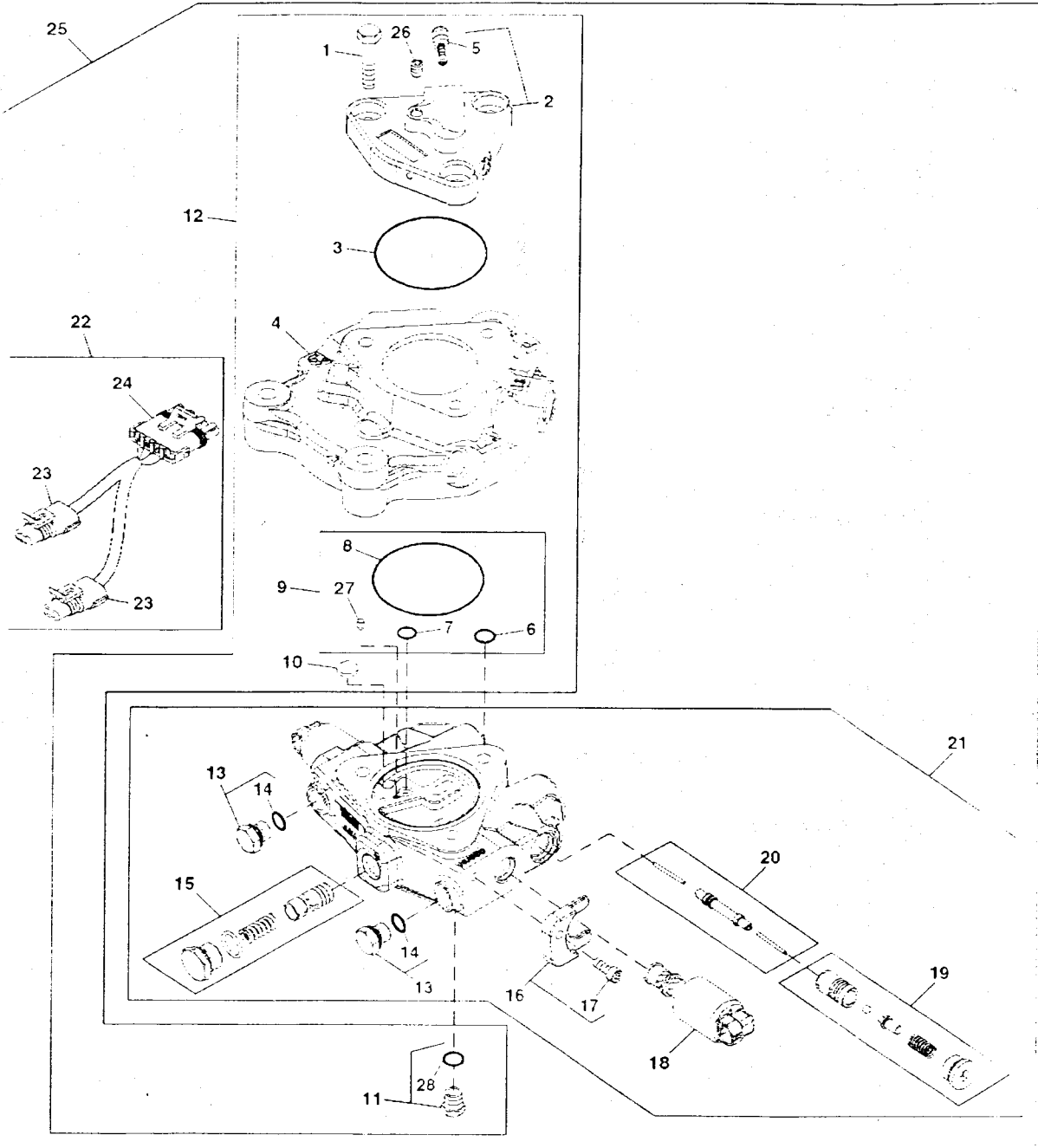
THIS PARTS LISTING IS CONTINUED

8130, 8230, 8330, 8430, 8530 TRACTORS PC9451 (12-APR-06)  
P. 776

KEY	PART NO.	PART NAME	QTY	TRACTOR SERIAL NO	A L L	REMARKS
1	RE220955	SELECTIVE CONTROL VALVE	1		X	(ASSY)
2	RE226728	BREAKAWAY COUPLER	2		X	
3	R257100	SNAP RING	2		X	
4	.....	O-RING	4		X	
5	.....	O-RING	4		X	
6	R222761	O-RING	1		X	
7	RE233163	ELEC. PROPORTIONAL VALVE	2		X	
8	R233165	CLAMP	1		X	
9	R233166	SCREW	1		X	
10	R225805	BACK-UP RING	1		X	
11	R199687	O-RING	1		X	
12	R153196	SPRING	2		X	
13	.....	O-RING	1		X	(ORDER RE237001)
14	R153825	O-RING	1		X	
15	R196840	DISK	1		X	
16	R184724	POPPET	2		X	
17	RE220721	PLATE	1		X	
18	R111238	SPRING	2		X	
19	R111292	DISK	3		X	
20	RE182855	VALVE COVER	1		X	
21	RE220261	FITTING	2		X	
22	.....	SPOOL	1		X	(ORDER RE220955)
23	RE221133	FITTING PLUG	1		X	
24	RE188346	HANDLE	1		X	
25	.....	SPOOL	1		X	(ORDER RE220955)
26	RE204974	ROD	2		X	
27	.....	SPOOL	1		X	(ORDER RE220955)
28	.....	SHIM	1		X	
29	R124482	SPRING ASSEMBLY	1		X	
30	R182848	PADDLE	1		X	
31	.....	O-RING	2		X	(ORDER RE237001)
32	19M8395	SCREW	2		X	M12 X 40 HS 12.9
33	RE216787	FITTING PLUG	1		X	
34	RE209809	COVER	AR		X	
35	H80753	SNAP RING	2		X	
36	R124008	SPRING	2		X	
37	R209409	VALVE COVER	2		X	
38	R209734	RETAINER	1		X	
39	R213093	PUSH NUT	2		X	
40	37M7176	SCREW	2		X	M6 X 16
41	R209748	SEAL	2		X	
42	L102154	PLUG	1		X	SCV 1
	L102155	PLUG	1		X	SCV 2
	L102156	PLUG	1		X	SCV 3
	L102157	PLUG	1		X	SCV 4
43	R212988	SOCKET HEAD SCREW	AR		X	
44	R205028	SNAP RING	2		X	
45	RE237001	O-RING KIT	1		X	
46	R76617	O-RING	1		X	
47	RE213498	SEAL KIT	1		X	
48	RE186600	KIT	1		X	
49	19M8242	SCREW	1		X	M12 X 16, HS 10.9
50	R107859	BALL	10		X	
51	RE233677	WIRING HARNESS	2		X	
52	R237004	PLUG	1		X	

SELECTIVE CONTROL VALVE (AUXILIARY)(W/ DELUXE END COVER)  
 DISTRIBUTEUR SELECTIF (AUXILIAIRE)(W/ COUVERCLE D'EXTREMITE DE LUXE)  
 ZUSATZSTEUERVENTIL (ZUSAETZLICH) (W/ LUXUS-ENDABDECKUNG)  
 HYDRAULOLJEVENTIL (EXTRA) (W/ COPERTURA DELUXE DELL'ESTREMITA')  
 VALVULA DE CONTROL SELECTIVO (AUXILIAR)(W/ CUBIERTA DE EXTREMO DE LUJO)  
 DISTRIButore IDRAULICO (AUSILIARIO)(W/ LYXAENDSKYDD)

RXA0084945 UN-29NOV05



RXA0084945

THIS PARTS LISTING IS CONTINUED



KEY	PART NO.	PART NAME	QTY	TRACTOR SERIAL NO.	A L L	REMARKS
1	19M8775	CAP SCREW	3		X	M10 X 25
2	RE232690	COVER	1		X	
3	R95494	O-RING	1		X	
4	RE178603	COVER	1		X	
5	RE229062	PRESSURE RELIEF FITTING	1		X	(ORDER RE237001)
6	R153825	O-RING	1		X	(ORDER RE237001)
7	.....	O-RING	2		X	(ORDER RE237001)
8	.....	O-RING	1		X	
9	RE237001	O-RING KIT	1		X	
10	R196840	RING	1		X	
11	RE221133	FITTING PLUG	1		X	
12	RE239150	KIT	1		X	
13	RE46684	PLUG	2		X	11.300 X 2.200 MM
14	51M7041	O-RING	2		X	
15	RE212376	CONTROL VALVE	1		X	(SUB RE259040, THIS APPLICATION)
16	RE210010	SOLENOID VALVE	2		X	M6 X 20
17	19M7603	SCREW	1		X	
18	RE212153	SOLENOID VALVE	2		X	
19	RE212378	CONTROL VALVE	1		X (A)	
20	RE212377	CONTROL VALVE	1		X	
21	RE235210	SOLENOID VALVE	1		X	
22	RE210006	WIRING HARNESS	1		X	
23	.....	CONNECTOR	1		X	
24	57M7265	ELEC. CONNECTOR HOUSING	2		X	
25	RE241359	FIELD INSTALLATION KIT	1		X	
26	22H912	SET SCREW	1		X	0.190" X 1/4"
27	R237004	PLUG	1		X	
28	51M7045	O-RING	1		X	19.300 X 2.200 MM

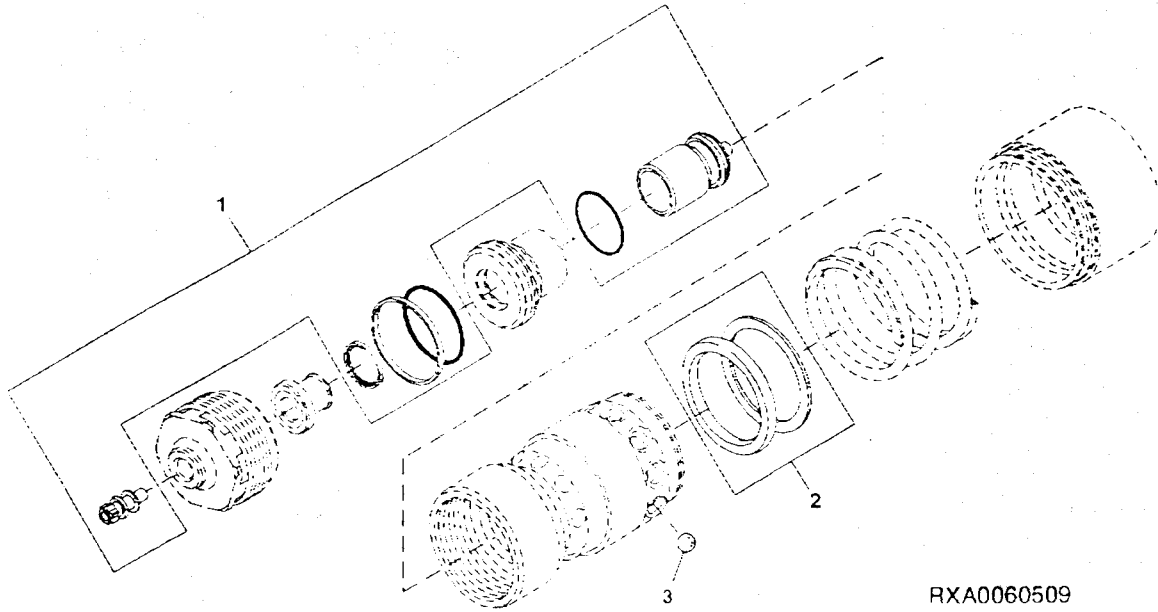
(A) INCLUDES (2) KITS  
 COMPREND (2) KITS  
 ENTHAELT (2) SAETZE  
 INCLUDE (2) KIT  
 INCLUYE (2) JUEGOS  
 INKLUDERAR (2) SATSEP

# 71-10

SELECTIVE CONTROL VALVE

QUICK COUPLER KITS  
 ACCOUPLEMENT RAPIDE (JUE)  
 SCHNELLKUPPLER (SATZ)  
 ATTACCO RAPIDO (KIT)  
 ENGANCHE RAPIDO (JUEGO)  
 SNABBKOPPLING (SATS)

RXA0060509 -UN-09MAY02

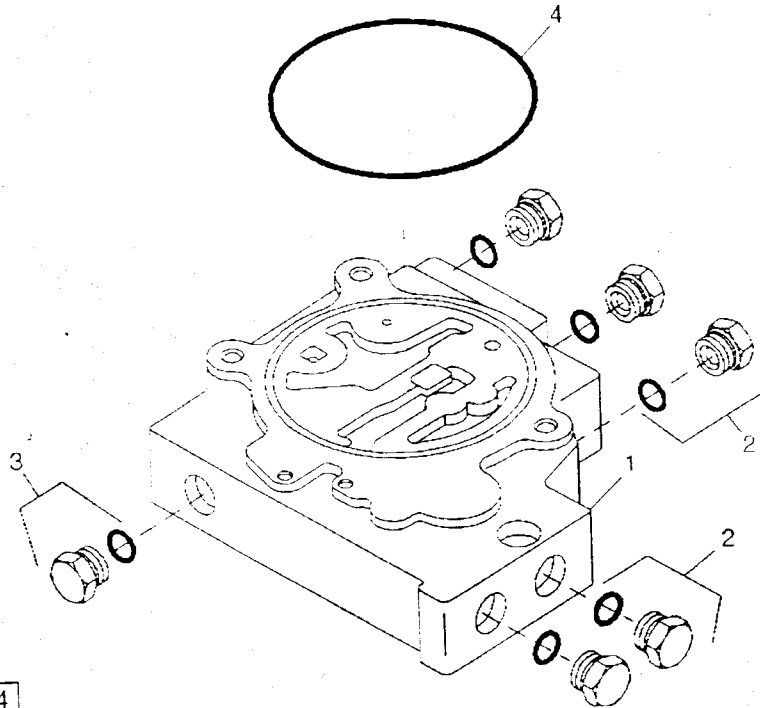


RXA0060509

KEY	PART NO.	PART NAME	QTY.	TRACTOR SERIAL NO.	A L L	REMARKS
1	RE186601	KIT	1		X	
2	RE186699	KIT	1		X	
3	R107859	BALL	10		X	

SELECTIVE CONTROL VALVE MANIFOLD(W/O HITCH)  
 REPARTITEUR DE DISTRIBUTEURS SELECTIFS (W/O ATTELAGE)  
 ZUSATZSTEUERVENTIL-VERTEILERGEHAEUSE (W/O ANHAENGEVORRICHTUNG)  
 COLLETTORE DEL DISTRIBUTORE IDRAULICO (W/O GANCIO)  
 COLECTOR DE VALVULAS DE CONTROL SELECTIVO (W/O ENGANCHE)  
 FOERDELARE FOER HYDRAULOLJEVENTILER (W/O DRAG)

RXA0083594 -UN-25AUG05

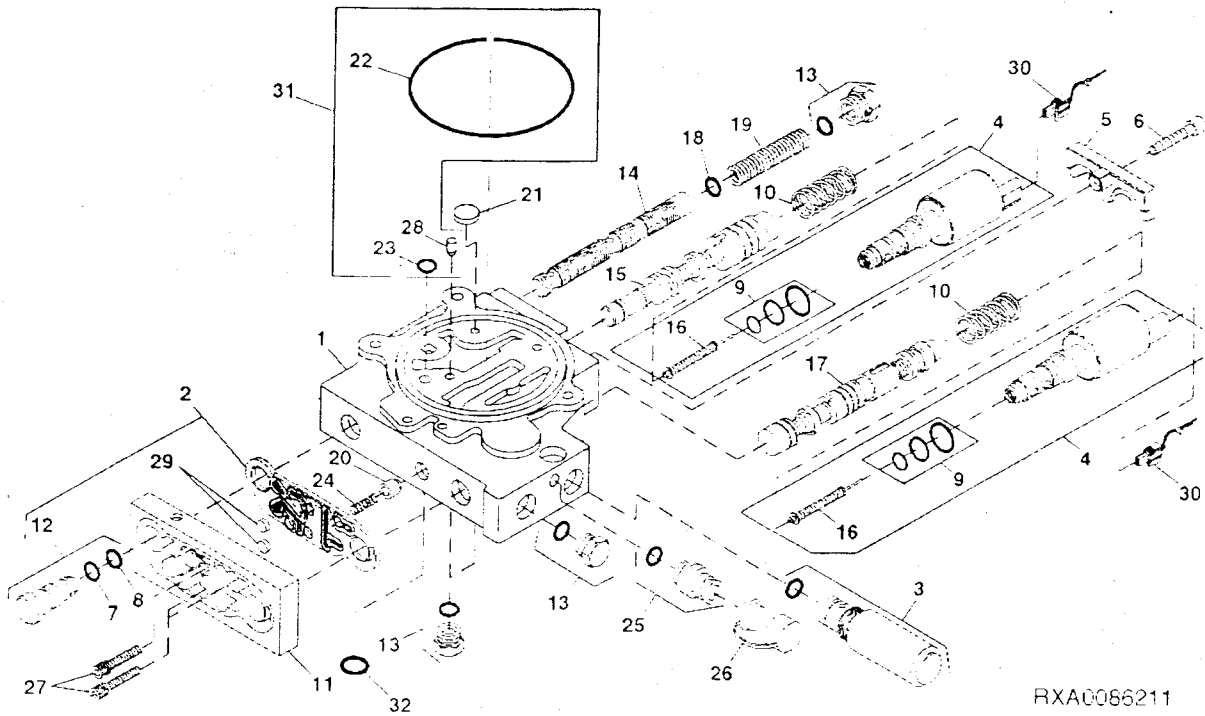


RXA0083594

KEY	PART NO.	PART NAME	QTY	TRACTOR SERIAL NO	A L L	REMARKS
1	RE182871	HOUSING	1		X	
2	RE46687	DRAIN PLUG	6		X	
3	.....	FITTING PLUG	1		X	
4	.....	O-RING	1		X	
5	.....	O-RING	1		X	

HITCH VALVE  
 SOUPEPE D'ATTELAGE  
 ANHAENGEVORRICHTUNGSVENTIL  
 VALVOLA DEL SOLLEVATORE  
 VALVULA DEL ENGANCHE  
 LYFT. VENTIL

RXA0086211 -UN-25JAN06

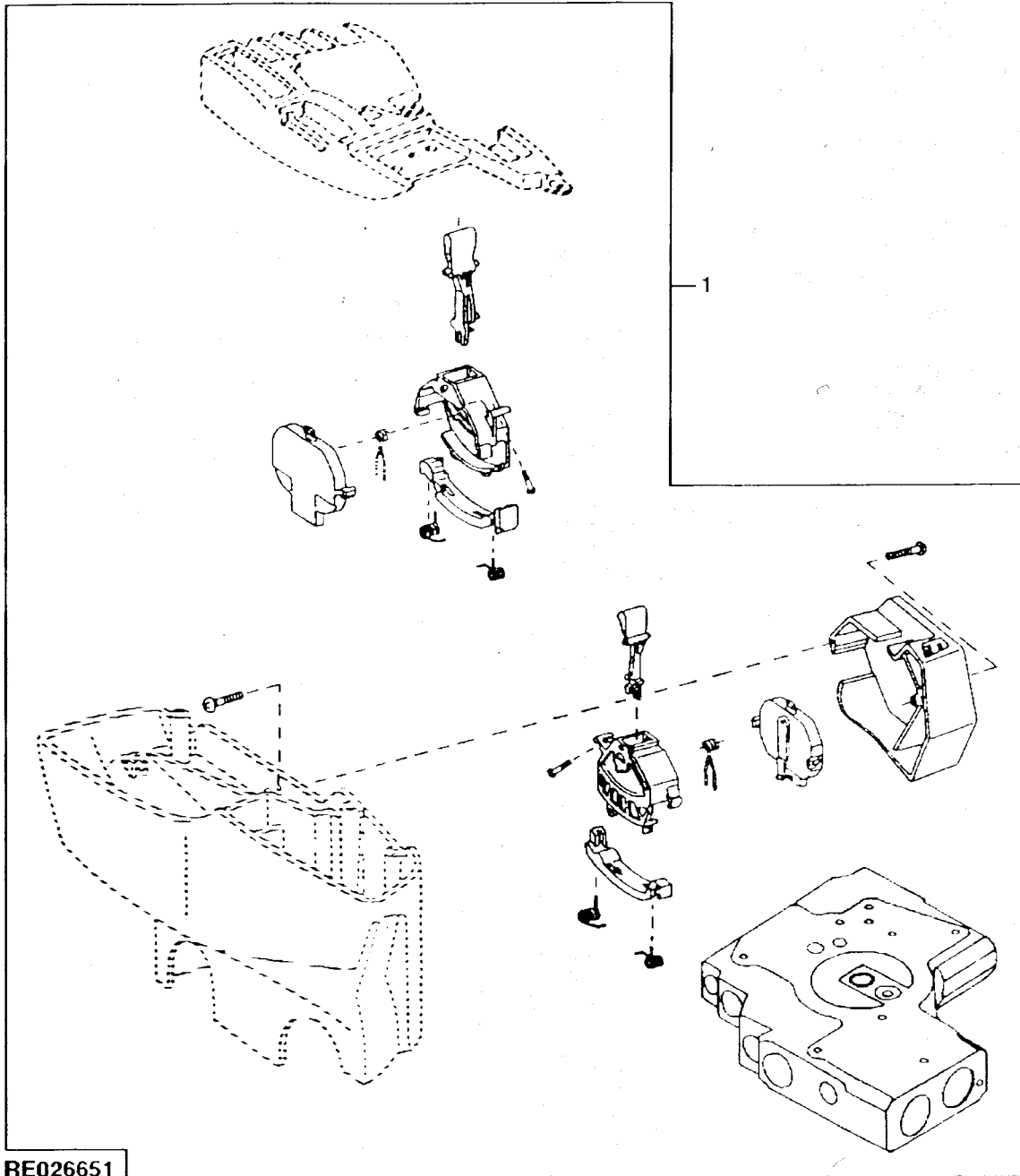


RXA0086211

KEY	PART NO.	PART NAME	QTY	TRACTOR SERIAL NO	A L L	REMARKS
1	RE216640	SELECTIVE CONTROL VALVE	1		X	(INCL KEYS MARKED (A) )
2	RE220721	PLATE	1		X	(INCLUDES (3) R111292 AND (2) RE220226)
3	RE161439	VALVE	1		X	
4	RE233163	ELEC. PROPORTIONAL VALVE	2		X (A)	
5	R233165	CLAMP	1		X (A)	
6	R233166	SCREW	1		X (A)	
7	R199687	O-RING	1		X (A)	
8	R225805	BACK-UP RING	1		X	
9	RE213498	SEAL KIT	2		X (A)	
10	R153196	SPRING	2		X (A)	
11	RE188347	COVER	1		X (A)	
12	RE220261	FITTING	2		X (A)	
13	RE221133	FITTING PLUG	4		X (A)	
	51M7045	O-RING	4		X (A)	
14	.....	VALVE SPOOL	1		X	
15	.....	VALVE SPOOL	1		X	
16	RE204974	ROD	2		X	
17	.....	VALVE	1		X	
18	.....	SHIM	1		X (A)	
19	R124482	SPRING ASSEMBLY	1		X (A)	
20	R184724	POPPET	1		X (A)	
21	R196840	RING	1		X (A)	(ORDER RE236999)
22	.....	O-RING	1		X (A)	(ORDER RE236999)
23	.....	O-RING	1		X (A)	
24	R111238	SPRING	1		X (A)	
25	RE190805	DIAGNOSTIC COUPLING	1		X (A)	
	51M7041	O-RING	1		X (A)	
26	R77175	COVER	1		X (A)	M12 X 40. HS 12.9
27	19M8395	SCREW	3		X (A)	
28	R237004	PLUG	1		X (A)	
29	R111292	DISK	3		X	
30	RE233677	WIRING HARNESS	2		X	
31	RE236999	O-RING KIT	1		X (A)	
32	T57246	O-RING	1		X	

SELECTIVE CONTROL VALVE REMOTE CONTROL KIT  
KIT DE COMMANDE A DISTANCE DE DISTRIBUTEUR SELECTIF  
ZUSATZSTEUERVENTIL-FERNSTEUERUNGSSATZ  
KIT DI COMANDO A DISTANZA DISTRIBUTORI IDRAULICI  
JUEGO DE CONTROL REMOTO PARA VCS  
FJAERRSTYRNINGSSATS FOER HYDRAULOLJEVENTILER

RE026651 UN-13DEC95



RE026651

THIS PARTS LISTING IS CONTINUED

# 71-15

SELECTIVE CONTROL VALVE

KEY	PART NO.	PART NAME	QTY.	TRACTOR SERIAL NO.	A L L	REMARKS
1	RE238579 AR221648	FIELD INSTALLATION KIT FIELD INSTALLATION KIT	1 1		X X	(4TH SCV) (5TH SCV)

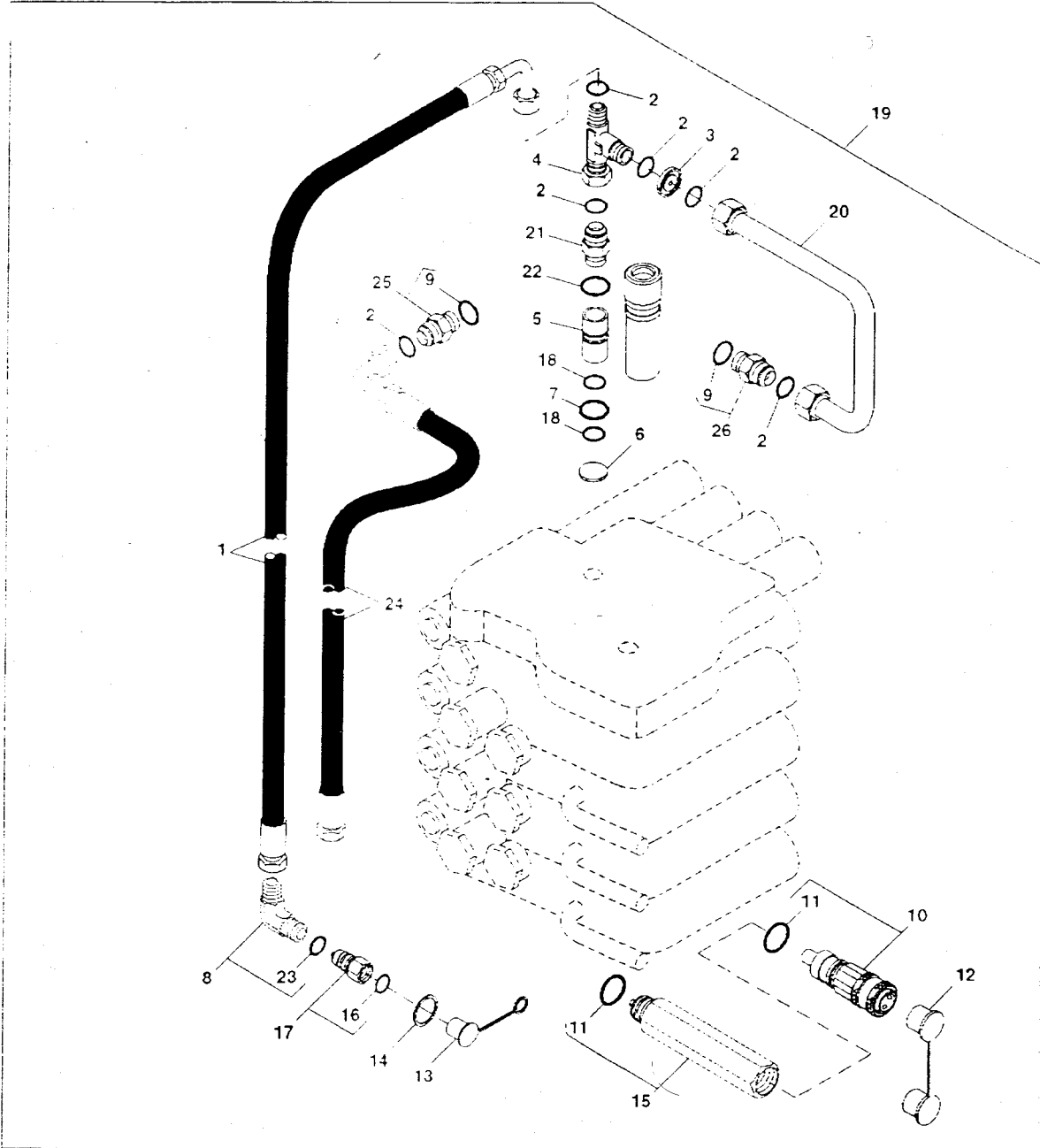
# 71-16

SELECTIVE CONTROL VALVE

POWER BEYOND COUPLER KIT  
JEU DE RACCORD DE SORTIE POUR OUTIL  
ANBAUGERAETANSCHLUSS-KUPPLUNGSSATZ  
KIT DELL'ACCOPIATORE PER L'UTENSILE  
CONJUNTO DE ACOPLADOR DE SALIDA  
KOPPLINGSSATS FOER REDSKAP

RXA0060478

-UN-03MAY05



RXA0060478



KEY	PART NO.	PART NAME	QTY.	TRACTOR SERIAL NO.	A L L	REMARKS
1	RE237161	HYDRAULIC HOSE	1		X	
2	T77613	O-RING	5		X	
3	N202662	ORIFICE	1		X (C)	
4	38H5105	TEE FITTING	1		X (C)	
5	RE213458	SPACER	1		X (C)	
6	R196840	RING	1		X (C)	
7	T11899	O-RING	1		X (C)	
8	38H5016	ELBOW FITTING	1		X	
9	51M7041	O-RING	1		X	11.300 X 2.200 MM
10	RE219422	HYD. QUICK-CONNECT COUPLER	2		X	
11	51M7045	O-RING	4		X	19.300 X 2.200 MM
12	R124807	CAP	1		X (A)	
	R125531	COVER	1		X (B)	
13	AH83821	CAP	1		X	
14	R118245	SNAP RING	1		X	
15	RE61791	ADAPTER FITTING	2		X	(SUB RE248312)
16	R152879	PACKING	1		X	
17	RE61319	HYD. QUICK-CONNECT COUPLER	1		X	
18	R133794	BACK-UP RING	2		X (C)	
19	RE231706	FIELD INSTALLATION KIT	1		X	
20	RE237285	OIL LINE	1		X (C)	
21	RE49091	FITTING	1		X (C)	
22	51M7041	O-RING	1		X (C)	11.300 X 2.200 MM
23	51M7041	O-RING	1		X	11.300 X 2.200 MM
24	RE237161	HYDRAULIC HOSE	1		X (D)	
25	38H5002	ADAPTER FITTING	1		X (D)	
26	38H5002	ADAPTER FITTING	1		X (C)	
	22H912	SET SCREW	1		X (D)	0.190" X 1/4"

(A) RETURN  
RETOUR  
RUECKLAUF  
RETORNO  
RITORNO  
RETUR

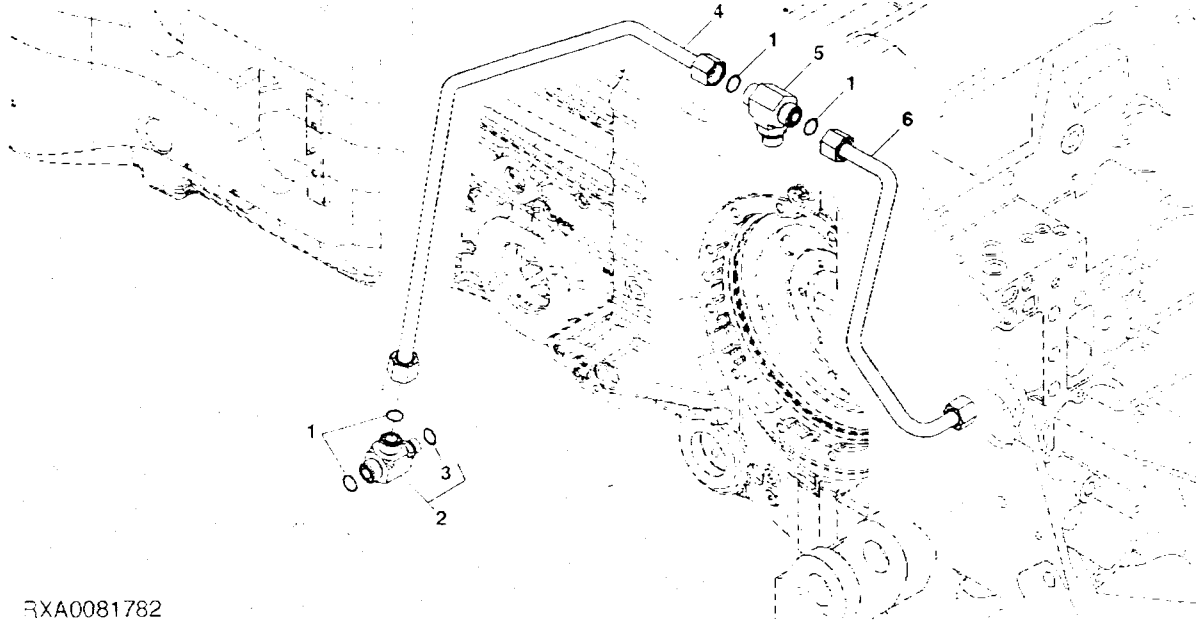
(B) PRESSURE  
PRESSION  
DRUCK  
PRESSIONE  
PRESION  
TRYCK

(C) W STANDARD END COVER  
W COUVERCLE D'EXTREMITE STANDARD  
W STANDARD-ENDABDECKUNG  
W COPERTURA STANDARD DELL'ESTREMITA  
W CUBIERTA DE EXTREMO ESTANDAR  
W STANDARDAENDSKYDD

(D) W DELUXE END COVER  
W COUVERCLE D'EXTREMITE DE LUXE  
W LUXUS-ENDABDECKUNG  
W COPERTURA DELUXE DELL'ESTREMITA  
W CUBIERTA DE EXTREMO DE LUJO  
W LYXAENDSKYDD

SELECTIVE CONTROL VALVE LINES (PST)  
 CONDUITES DE DISTRIBUTEUR SELECTIF (PST)  
 STEUERGERAETLEITUNGEN (PST)  
 TUBAZIONI PER DISTRIBUTORE SELETTIVO (PST)  
 TUBERIAS DE LA VALVULA DE CONTROL SELECTIVO (PST)  
 VAEIJARVENTILLEDNINGAR (PST)

RXA0081782 -UN-24JUN05

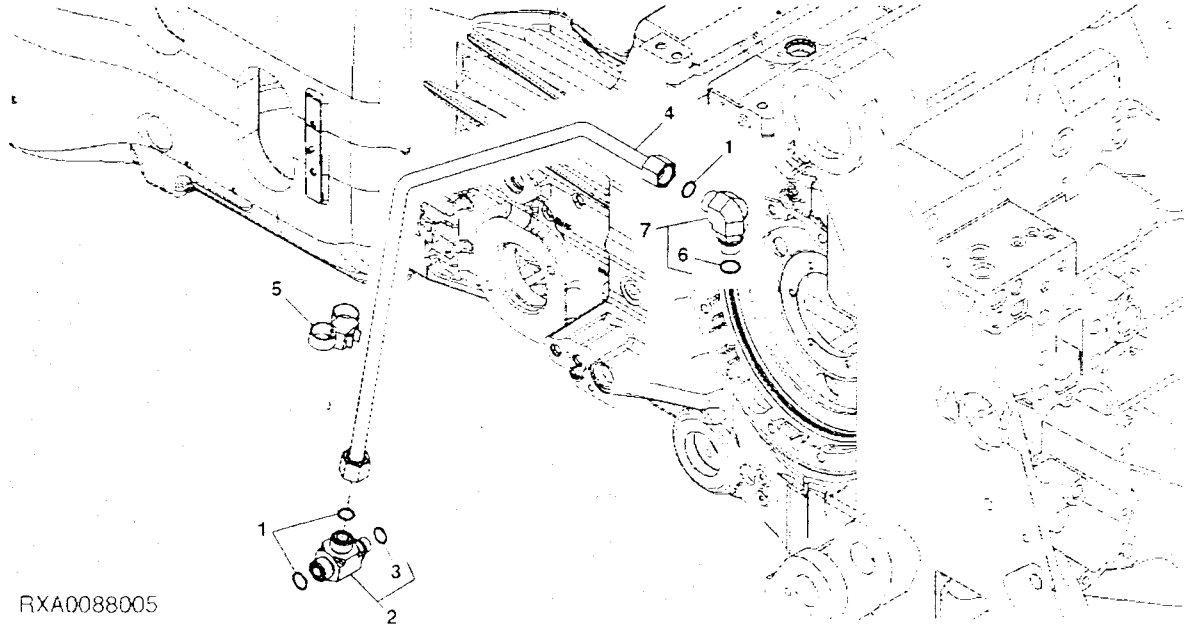


RXA0081782

KEY	PART NO.	PART NAME	QTY	TRACTOR SERIAL NO.	A L L	REMARKS
1	T77857	O-RING	4		X	
2	38H8265	TEE FITTING	1		X	
3	51M7041	O-RING	1		X	11.300 X 2.200 MM
4	RE215959	OIL LINE	1	-XXXXXX	X	
	RE255141	OIL LINE	1	XXXXXX-	X	
5	38H8111	TEE FITTING	1		X	
6	RE243530	OIL LINE	1		X	

SELECTIVE CONTROL VALVE LINES (IVT)  
 CONDUITES DE DISTRIBUTEUR SELECTIF (IVT)  
 STEUERGERAETLEITUNGEN (IVT)  
 TUBAZIONI PER DISTRIBUTORE SELETTIVO (IVT)  
 TUBERIAS DE LA VALVULA DE CONTROL SELECTIVO (IVT)  
 VÆLJARVENTILLEDNINGAR (IVT)

RXA0088005 -UN-28MAR06

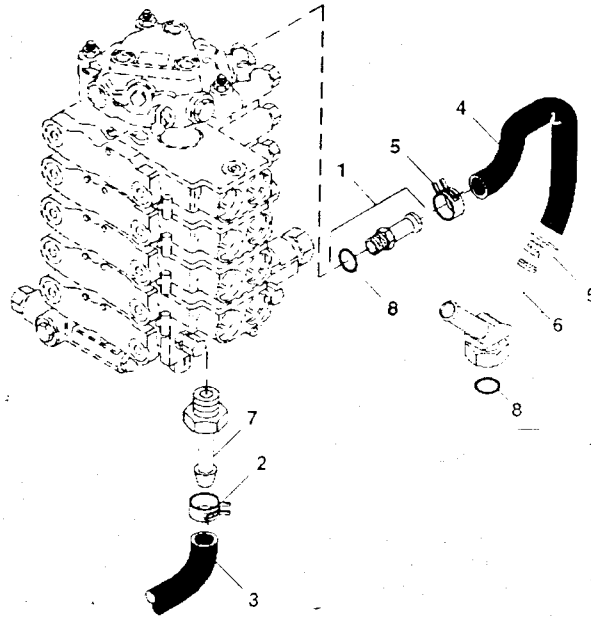


RXA0088005

KEY	PART NO.	PART NAME	QTY.	TRACTOR SERIAL NO	A L L	REMARKS
1	T77857	O-RING	4		X	
2	38H5065	TEE FITTING	1		X	
3	51M7041	O-RING	1		X	11.30C X 2.200 MM
4	RE215909	OIL LINE	1	-XXXXXX	X	
	RE258141	OIL LINE	1	XXXXXX-	X	
5	R213663	CLAMP	1		X	
6	51M7043	O-RING	1		X	15.30C X 2.200 MM
7	38H5017	ELBOW FITTING	1		X	

SELECTIVE CONTROL VALVE DRAIN LINES  
 DISTRIBUTEUR SELECTIF. CONDUITE D'EVACUATION  
 ZUSATZSTEUERGERAET-ABLASSLEITUNG  
 DISTRIBUTORE IDRAULICO. LINEA DI DRENAGGIO  
 LINEA DE VACIADO DE VALVULA DE CONTROL SELECTIVO  
 SELEKTIV MANOEVERTENTIL. DRAENERINGSLEDNING

RXA0084738 UN-27OCT05



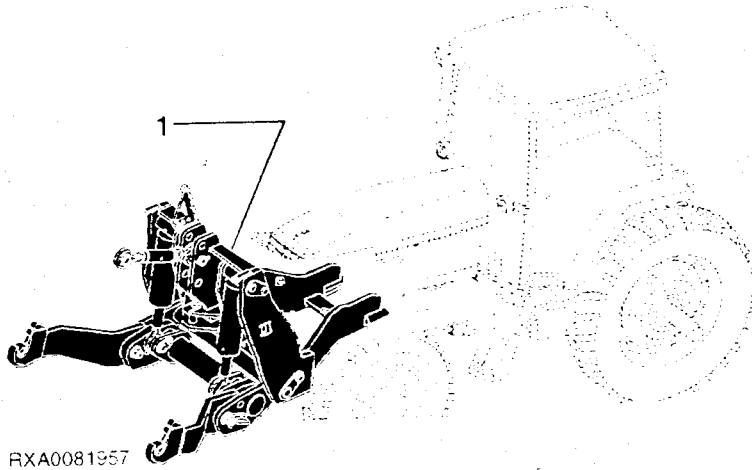
RXA0084738

KEY	PART NO.	PART NAME	QTY.	TRACTOR SERIAL NO.	A	REMARKS
1	RE232957	CHECK VALVE	1		X	
2	R5610	CLIP	2		X	
3	R185048	HOSE	1		X	
4	R185049	HOSE	1		X	
5	R202160	CLAMP	2		X	
6	RE232705	TEE FITTING	1		X	
7	R134954	HOSE FITTING	1		X	
8	51M7041	O-RING	2		X	11.300 X 2.200 MM

SECTIONAL INDEX  
INDEX DE SECTION  
GRUPPENINDEX  
INDICE DELLA SEZIONE  
INDICE DE SECCION  
GRUPPSFORTECKNING

1- 2

RXA0081957 -UN-



RXA0081957

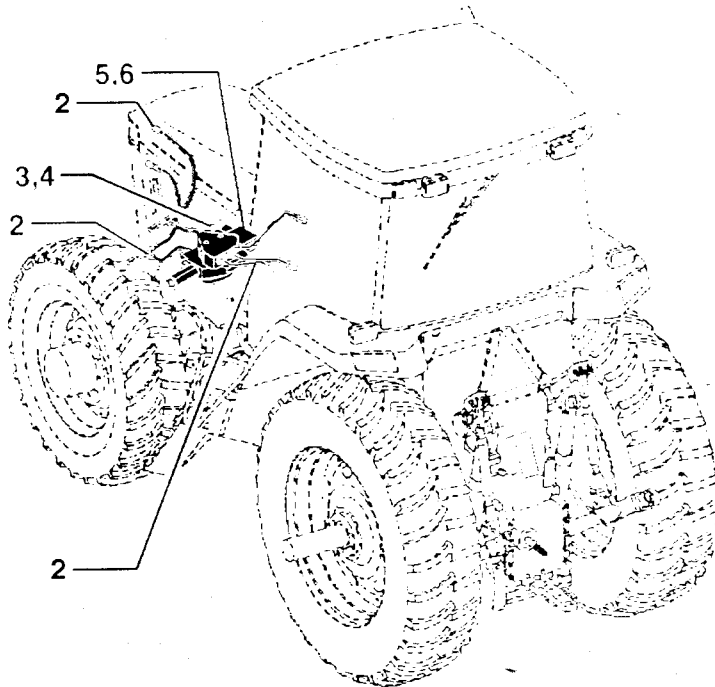
# 72-A02

FRONT HITCH

SECTION INDEX  
INDEX DE SECTION  
GRUPPENINDEX  
INDICE DELLA SEZIONE  
INDICE DE SECCION  
GRUPPSFORTECKNING

HXA0081958 -UN-

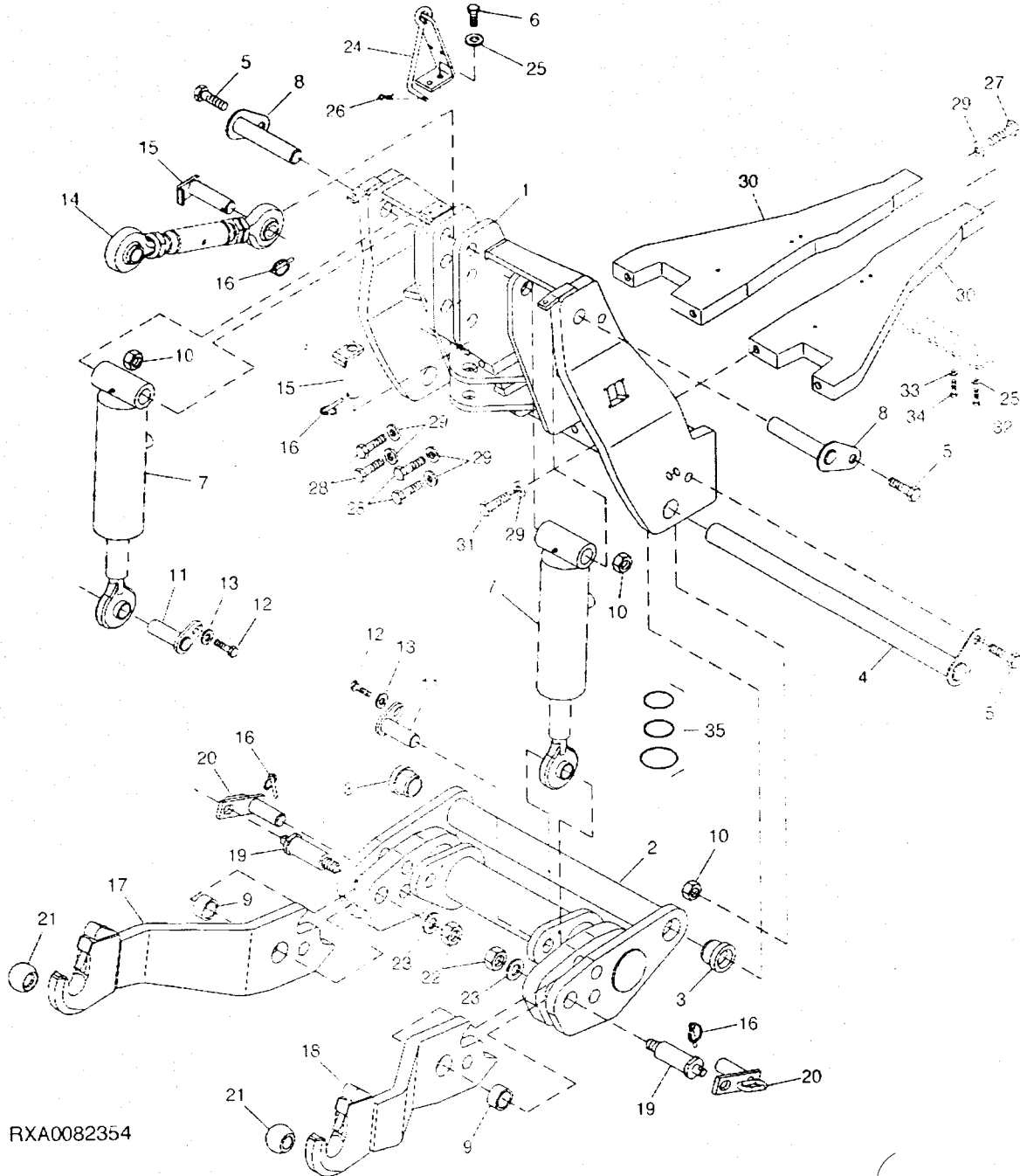
2-	4
3-	6
4-	8
5-	10
6-	11



HXA0081958

FRONT HITCH  
ATTELAGE AVANT  
FRONTANHAENGEVORRICHTUNG  
GANCIO ANTERIORE  
ENGANCHE DELANTERO  
FRAEMRE DRAG

RXA0082354 -UN-15JUL05



RXA0082354

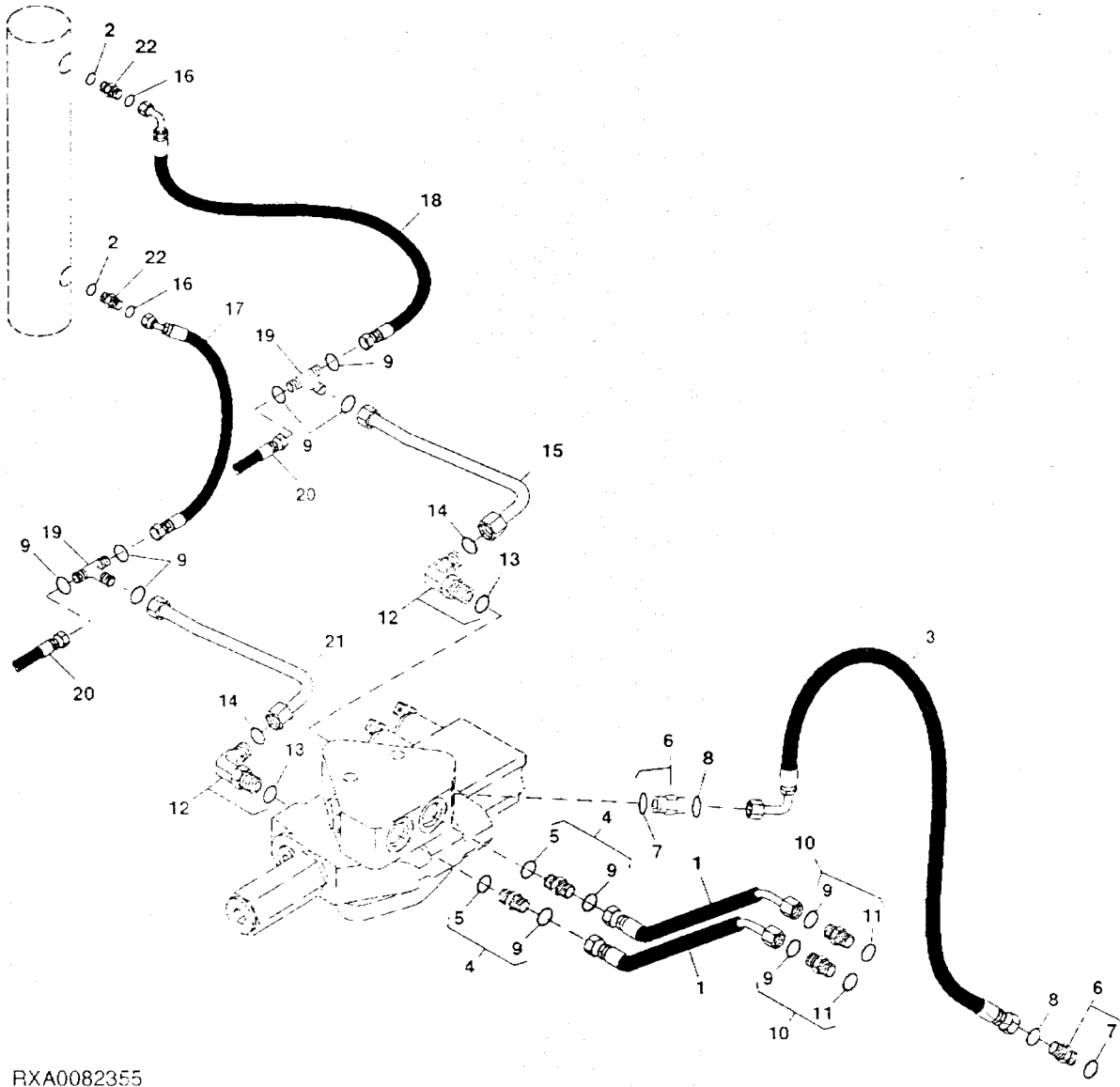
THIS PARTS LISTING IS CONTINUED

KEY	PART NO.	PART NAME	QTY.	TRACTOR SERIAL NO.	A L L	REMARKS
1	RE224394	FRAME	1		X	
2	RE192542	FRAME	1		X	
3	R192526	BUSHING	2		X	
4	RE192521	PIN FASTENER	1		X	M20 X 60, HS 10.9
5	19M8224	CAP SCREW	3		X	M8 X 16
6	19M7162	CAP SCREW	2		X	
7	RE192528	HYDRAULIC CYLINDER	2		X	
8	RE194199	WELD PIN	2		X	
9	R193002	BUSHING	2		X	M20
10	14M7277	NUT	3		X	
11	RE192516	PIN	2		X	M10 X 30, HS 10.9
12	19M7662	CAP SCREW	2		X	11 X 20 X 2 MM
13	24M7346	WASHER	2		X	
14	RE192527	CENTER LINK	1		X	
15	RE194200	WELD PIN	2		X	
16	AR60372	QUICK LOCK PIN	4		X	RH
17	RE192523	LIFT ARM	1		X	LH
18	RE192524	LIFT ARM	1		X	
19	R194201	PIN	2		X	
20	RE192520	PIN	2		X	
21	L40829	BALL	2		X	M30
22	14M7279	NUT	2		X	31 X 56 X 4 MM
23	24M7202	WASHER	2		X	
24	RE192525	KIT	1		X	9 X 16 X 1.600 MM
25	24M7336	WASHER	4		X	
26	A5067R	SPRING LOCKING PIN	1		X	
27	19M9137	CAP SCREW	2		X	M20 X 120, HS 10.9
28	19M9154	CAP SCREW	8		X	M20 X 60, HS 10.9
29	24M7242	WASHER	14		X	21.400 X 42 X 5 MM
30	R245830	PLATE	1		X	
31	19M9133	CAP SCREW	4		X	M20 X 70
32	19M7163	CAP SCREW	2		X	M8 X 25
33	24M7345	WASHER	2		X	13.500 X 24 X 2.500 MM
34	19M7872	CAP SCREW	2		X	M12 X 25
35	RE194231	SEAL KIT	1		X	(USE WITH RE192528)



FRONT HITCH LINES  
CONDUITES D'ATTELAGE AVANT  
FRONTREGELHYDRAULIK-LEITUNGEN  
TUBAZIONI ANTERIORI SOLLEVATORE  
LINEAS DEL ENGANCHE DELANTERO  
LEDNINGAR TILL FRAEMRE LYFT

RXA0082355 -UN-19JUL05



RXA0082355

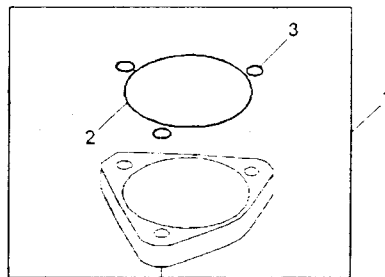
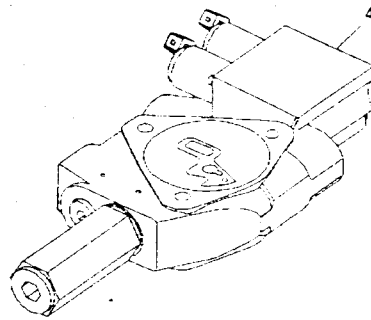
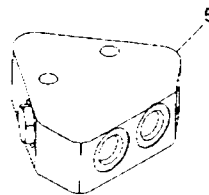
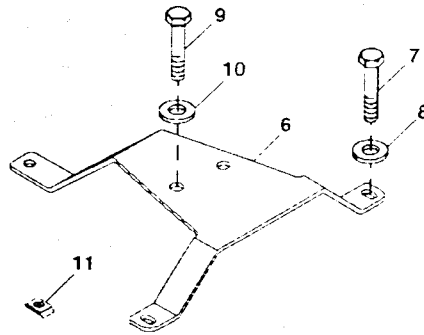
KEY	PART NO.	PART NAME	QTY.	TRACTOR SERIAL NO.	A L L	REMARKS
1	RE249910	HYDRAULIC HOSE	2		X	
2	51M7042	O-RING	4		X	13.300 X 2.200 MM
3	RE193988	HYDRAULIC HOSE	1		X	
4	38H5193	ADAPTER FITTING	2		X	
5	51M7045	O-RING	2		X	19.300 X 2.200 MM
6	38H5002	ADAPTER FITTING	2		X	
7	51M7041	O-RING	2		X	11.300 X 2.200 MM
8	T77613	O-RING	2		X	9.246 X 1.778 MM
9	T77857	O-RING	10		X	
10	61M5181	ADAPTER FITTING	2		X	
11	51M7045	O-RING	2		X	19.300 X 2.200 MM
12	38H5027	ELBOW FITTING	2		X	
13	51M7045	O-RING	2		X	19.300 X 2.200 MM
14	T77857	O-RING	2		X	12.421 X 1.778 MM
15	RE245592	LINE	1		X	
16	T77613	O-RING	4		X	
17	RE249904	HYDRAULIC HOSE	1		X	
18	RE245596	HYDRAULIC HOSE	2		X	
19	38H5062	TEE FITTING	2		X	
20	RE245594	HYDRAULIC HOSE	2		X	
21	RE245593	WIRE LINE	1		X	
22	38H5037	ADAPTER FITTING	4		X	

# 72-6

FRONT HITCH

HITCH VALVE (FRONT)  
SOUPAPE D'ATTELAGE (AVANT)  
ANHAENGEVORRICHTUNGSVENTIL (VORN)  
VALVOLA DEL SOLLEVATORE (ANTERIORE)  
VALVULA DEL ENGANCHE (FRENTE)  
LYFT, VENTIL (FRAM)

RXA0058016 -UN-25OCT01



RXA0058016

THIS PARTS LISTING IS CONTINUED

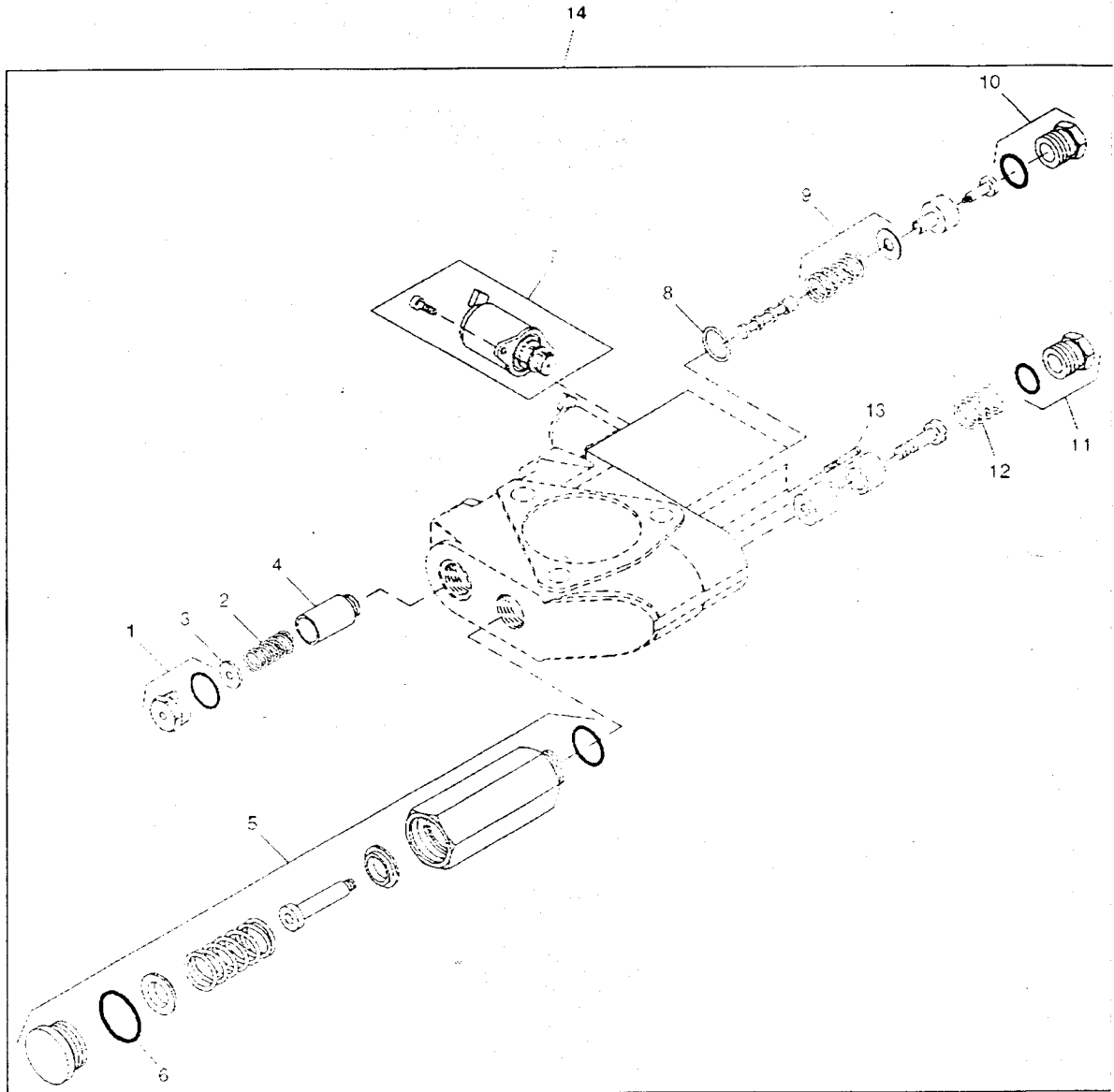
## 72-7

FRONT HITC-

KEY	PART NO.	PART NAME	QTY.	TRACTOR SERIAL NO.	A L L	REMARKS
1	AL77028	COVER	1		X	
2	R95494	O-RING	1		X	
3	T77932	O-RING	1		X	
4	RE174796	VALVE STACK	1		X	
5	RE175335	VALVE COVER	1		X	
6	R187628	BRACKET	1		X	
7	19M7881	SCREW	3		X	M8 X 20. HS 10.9
8	24M7036	WASHER	3		X	9 X 16 X 1.600 MM
9	19M7872	CAP SCREW	2		X	M12 X 25. HS 10.9
10	24M7345	WASHER	2		X	13.500 X 24 X 2.500 MM
11	M84971	NUT	1		X	
12		CAP SCREW	3		X	

HITCH VALVE (FRONT)  
 SOUPE D'ATTELAGE (AVANT)  
 ANHAENGEVORRICHTUNGSVENTIL (VORN)  
 VALVOLA DEL SOLLEVATORE (ANTERIORE)  
 VALVULA DEL ENGANCHE (FRENTE)  
 LYFT, VENTIL (FRAM)

RXA0057168 -UN-08OCT01



RXA0057168

THIS PARTS LISTING IS CONTINUED

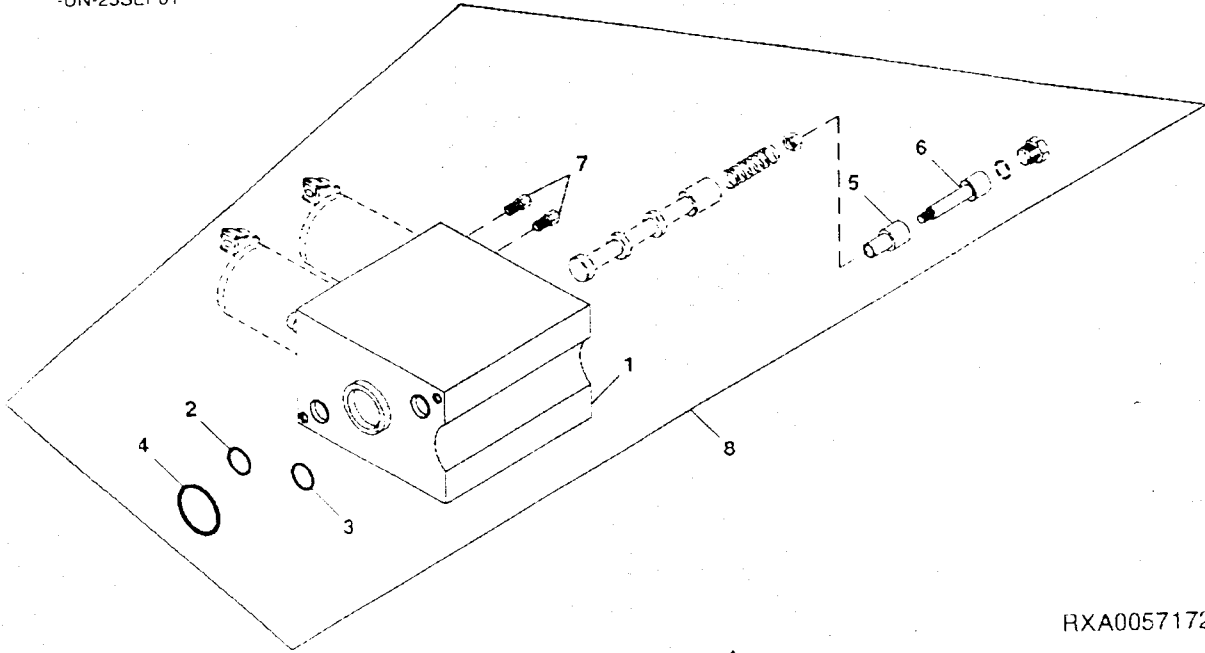
KEY	PART NO.	PART NAME	QTY.	SERIAL NO	A L L	REMARKS
1	RE49624	PLUG	1		X	
	R26375	O-RING	1		X	
2	R111238	SPRING	1		X	
3	R111308	RING	1		X	
4	R111288	POPPET	1		X	
5	RE192443	KIT	1		X	
6	U17409	O-RING	1		X	
7	RE192472	KIT	2		X	
8	R113229	O-RING	1		X	
9	RE192474	KIT	1		X	
10	RE192477	KIT	1		X	
11	RE192476	KIT	1		X	
12	.....	SPRING	1		X	
13	.....	BOLT	2		X	
14	RE174796	VALVE STACK	1		X	

# 72-10

FRONT HITCH

FRONT HITCH PILOT VALVE KIT  
 KIT DE SOUPAPE PILOTE D'ATTELAGE AVANT  
 FRONTREGELHYDRAULIK-VORSTEUERVENTILSATZ  
 KIT VALVOLA PILOTA SOLLEVATORE ANTERIORE  
 JUEGO DE VALVULA PILOTO DE ENGANCHE DELANTERO  
 STYRVENTILSATTS FOER FRAEMRE LYFT

RXA0057172 UN-25SEP01

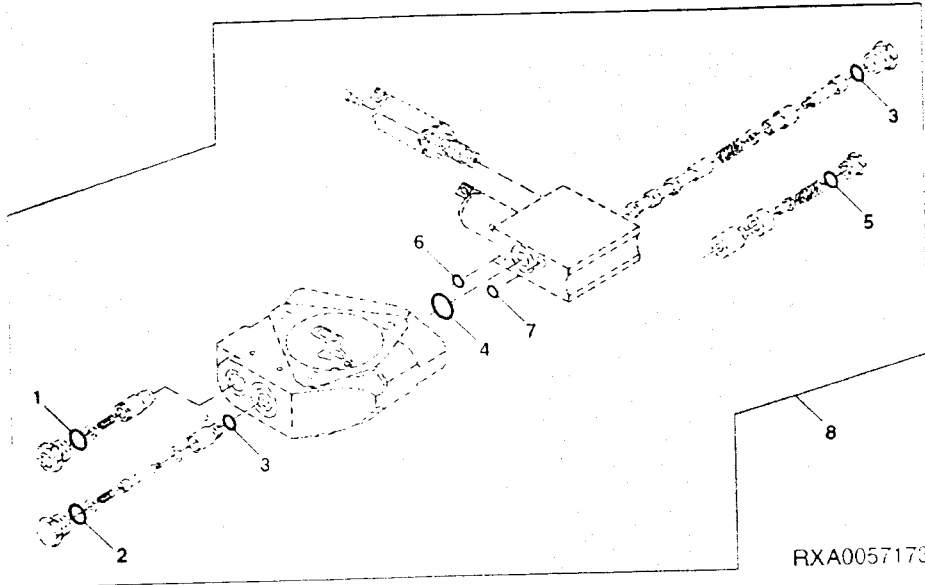


RXA0057172

KEY	PART NO.	PART NAME	QTY.	SERIAL NO.	A L L	REMARKS
1	.....	HOUSING	1		X	
2	.....	O-RING	1		X	
3	.....	O-RING	1		X	
4	R113229	O-RING	1		X	
5	.....	PISTON	1		X	
6	.....	BOLT	1		X	
7	.....	PLUG	6		X	
8	RE192475	KIT	1		X	

**FRONT HITCH VALVE SEAT KIT**  
**KIT DE SIEGE DE SOUPEPE D'ATTELAGE AVANT**  
**FRONTANLAGEHYDRAULIK-VENTILSITZSATZ**  
**KIT SEDE VALVOLA SOLLEVATORE ANTERIORE**  
**JUEGO DE ASIENTO DE VALVULA DE ENGANCHE DELANTERO**  
**VENTILSAETESSATS FOER FRAEMRE LYFT**

RXA0057173 -UN-29OCT01



KEY	PART NO.	PART NAME	QTY	SERIAL NO.	A L L	REMARKS
1	.....	O-RING	1		X	
2	U17409	O-RING	1		X	
3	.....	O-RING	2		X	
4	R113229	O-RING	1		X	
5	L152325	O-RING	1		X	
6	.....	O-RING	1		X	
7	.....	O-RING	1		X	
8	RE192440	O-RING KIT	1		X	



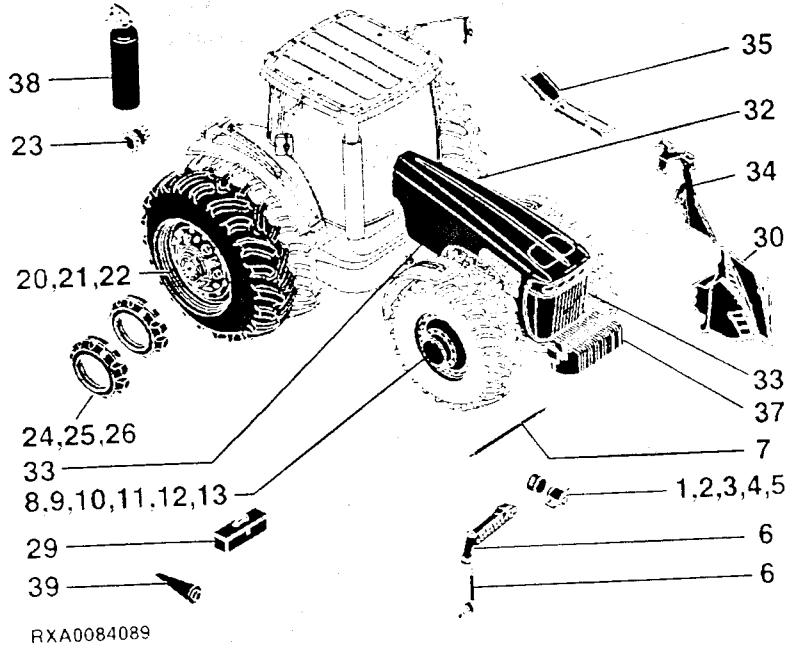
# 80-A01

WHEELS, FRONT AXLES AND SHEET METAL

SECTIONAL INDEX  
 INDEX DE SECTION  
 GRUPPENINDEX  
 INDICE DELLA SEZIONE  
 INDICE DE SECCION  
 GRUPPSFORTECKNING

RXA0084089

-UN-



1-	1
2-	2
3-	4
4-	6
5-	8
6-	10
7-	12
8-	14
9-	16
10-	18
11-	20
12-	22
13-	23
20-	36
21-	38
22-	40
23-	42
24-	43
25-	44
26-	45
29-	48
30-	49
32-	52
33-	54
33-	56
34-	58
35-	60
37-	63
38-	64
39-	65

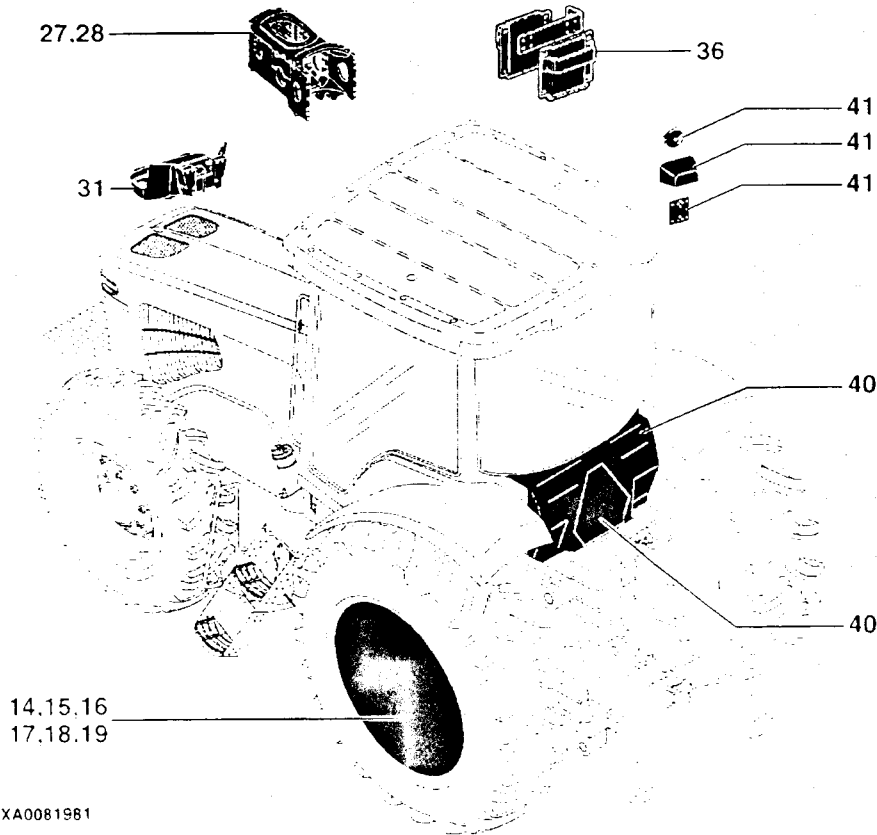
# 80-A02

## WHEELS, FRONT AXLES AND SHEET METAL

SECTIONAL INDEX  
 INDEX DE SECTION  
 GRUPPENINDEX  
 INDICE DELLA SEZIONE  
 INDICE DE SECCION  
 GRUPPSFORTECKNING

RXA0081981 -UN-

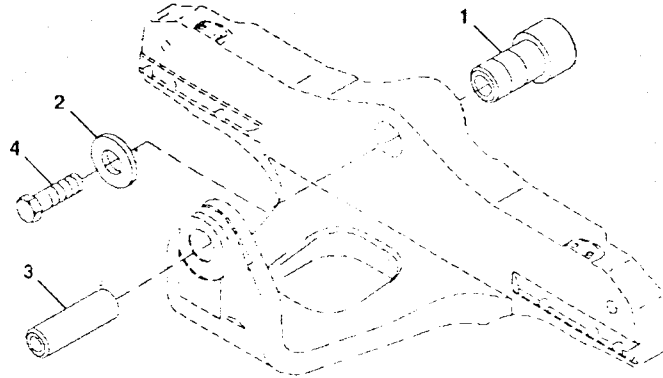
14-	24
15-	26
16-	28
17-	30
18-	32
19-	34
27-	46
28-	47
31-	50
31-	51
40-	66
41-	67
36-	68



RXA0081981

FRONT AXLE CENTER  
 PARTIE INTERMEDIAIRE D'ESSIEU AVANT  
 VORDERACHS-MITTELSTRUECK  
 ASSALE CENTRALE ANTERIORE  
 PUENTE CENTRAL DEL EJE DELANTERO  
 MITTSEKTION AV FRAMAXELN

RXA0053094 -UN-01MAY01

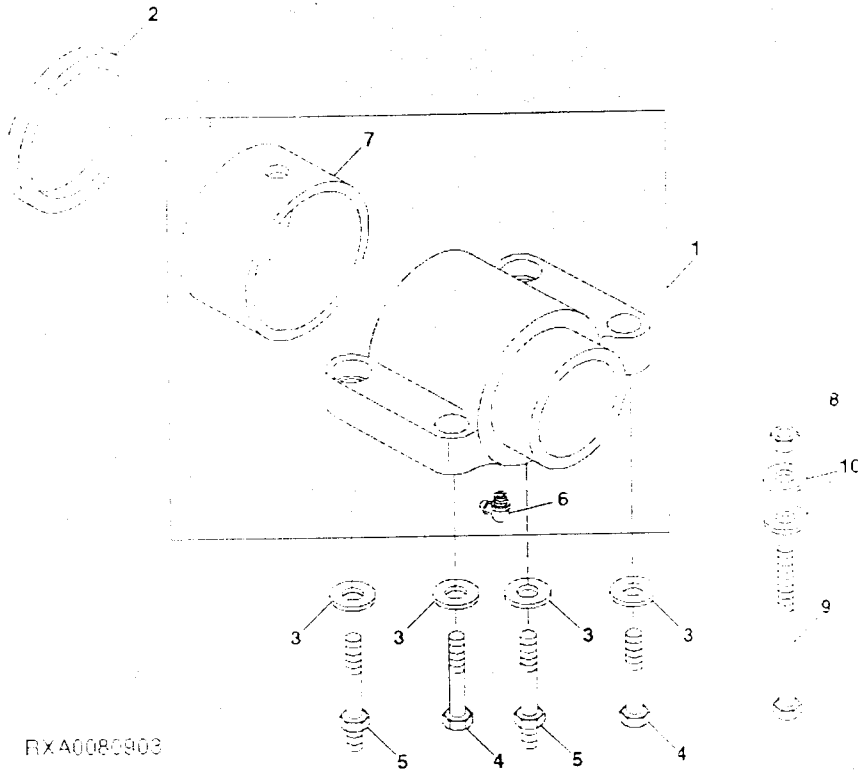


RXA0053094

KEY	PART NO.	PART NAME	QTY	TRACTOR SERIAL NO.	8 1 3 0	REMARKS
1	R111398	PIN	1		X	
2	R116440	BUSHING	1		X	
3	R73635	BUSHING	1		X REAR	
4	19M8639	CAP SCREW	1		X M20 X 70. HS 10.9	

FRONT AXLE REAR PIVOT SUPPORT  
SUPPORT DE PIVOT ARRIERE D'ESSIEU AVANT  
HINTERE VORDERACHS-GELENKZAPFENLAGER  
SUPPORTO DELL'ARTICOLAZIONE POST.DELL'ASSALE ANT.  
SOPORTE DEL PIVOTE TRASERO DEL EJE DELANTERO  
FRAMAXELNS BAKRE LEDSTOED

RXA0080903 UN-19MAY05



RXA0080903

THIS PARTS LISTING IS CONTINUED

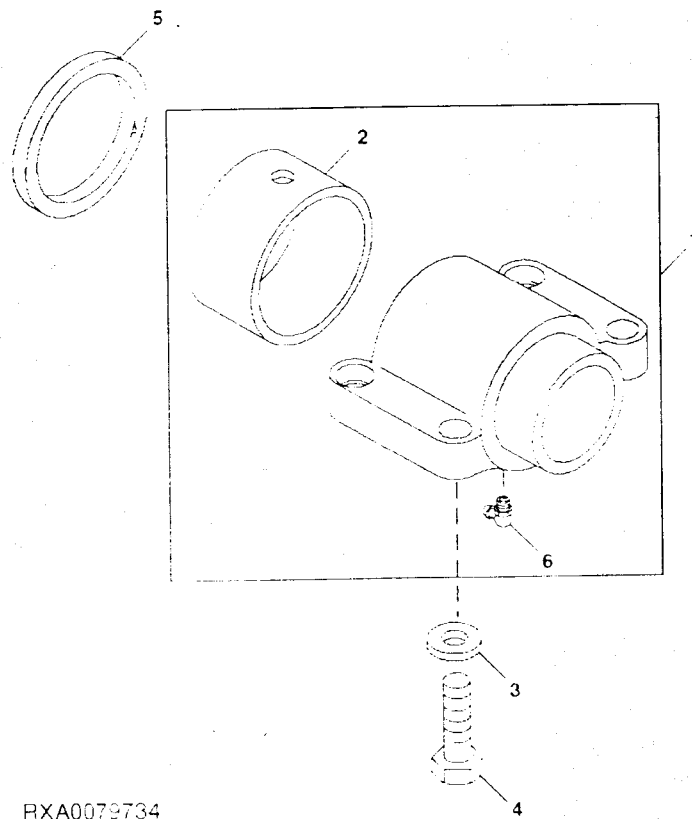
# 80-3

## WHEELS, FRONT AXLES AND SHEET METAL

KEY	PART NO.	PART NAME	QTY.	TRACTOR SERIAL NO.	8 8 8	REMARKS
					1 2 3	
					3 3 3	
					0 0 0	
1	RE62205	SUPPORT	1		X X X	(W/ MFWD)
	RE53046	SUPPORT	1		X	(W/O MFWD)
2	R107466	SEAL	1		X X X	(W/ MFWD)
3	24M7344	WASHER	4		X X X	22 X 37 X 3 MM
4	19M8639	CAP SCREW	2		X X X	M20 X 70, HS 10.9, (W/O MFWD)
	19M9134	CAP SCREW	4		X X X	M20 X 80, HS 10.9, (W/ MFWD)
5	R113329	ANCHOR	2		X	(W/O MFWD)
6	JD7798	LUBRICATION FITTING	1		X X X	(W/ MFWD)
7	R125974	BUSHING	1		X	(W/O MFWD)
	R109808	BUSHING	1		X	M20, (W O MFWD)
8	14M7277	NUT	1		X	M20 X 180, HS 10.9, (W/O MFWD)
9	19M9144	CAP SCREW	1		X	(W/O MFWD)
10	R116440	BUSHING	2			

FRONT AXLE REAR PIVOT SUPPORT (MFWD)  
SUPPORT DE PIVOT ARRIERE D'ESSIEU AVANT (MFWD)  
HINTERE VORDERACHS-GELENKZAPFENLAGER (MFWD)  
SOPORTE DEL PIVOTE TRASERO DEL EJE DELANTERO (MFWD)  
FRAMAXELNS BAKRE LEDSTOED (MFWD)

RXA0079734 -UN-18MAY05



# 80-5

WHEELS, FRONT AXLES AND SHEET METAL

KEY	PART NO.	PART NAME	QTY.	TRACTOR SERIAL NO.	REMARKS
				8	
				4	
				3	
				0	
1	RE62205	SUPPORT	1		X
2	R125974	BUSHING	1		X
3	24M7344	WASHER	4		X 22 X 37 X 3 MM
4	19M9134	CAP SCREW	4		X M20 X 80, HS 10.9
5	R107466	SEAL	1		X
6	JD7798	LUBRICATION FITTING	1		X

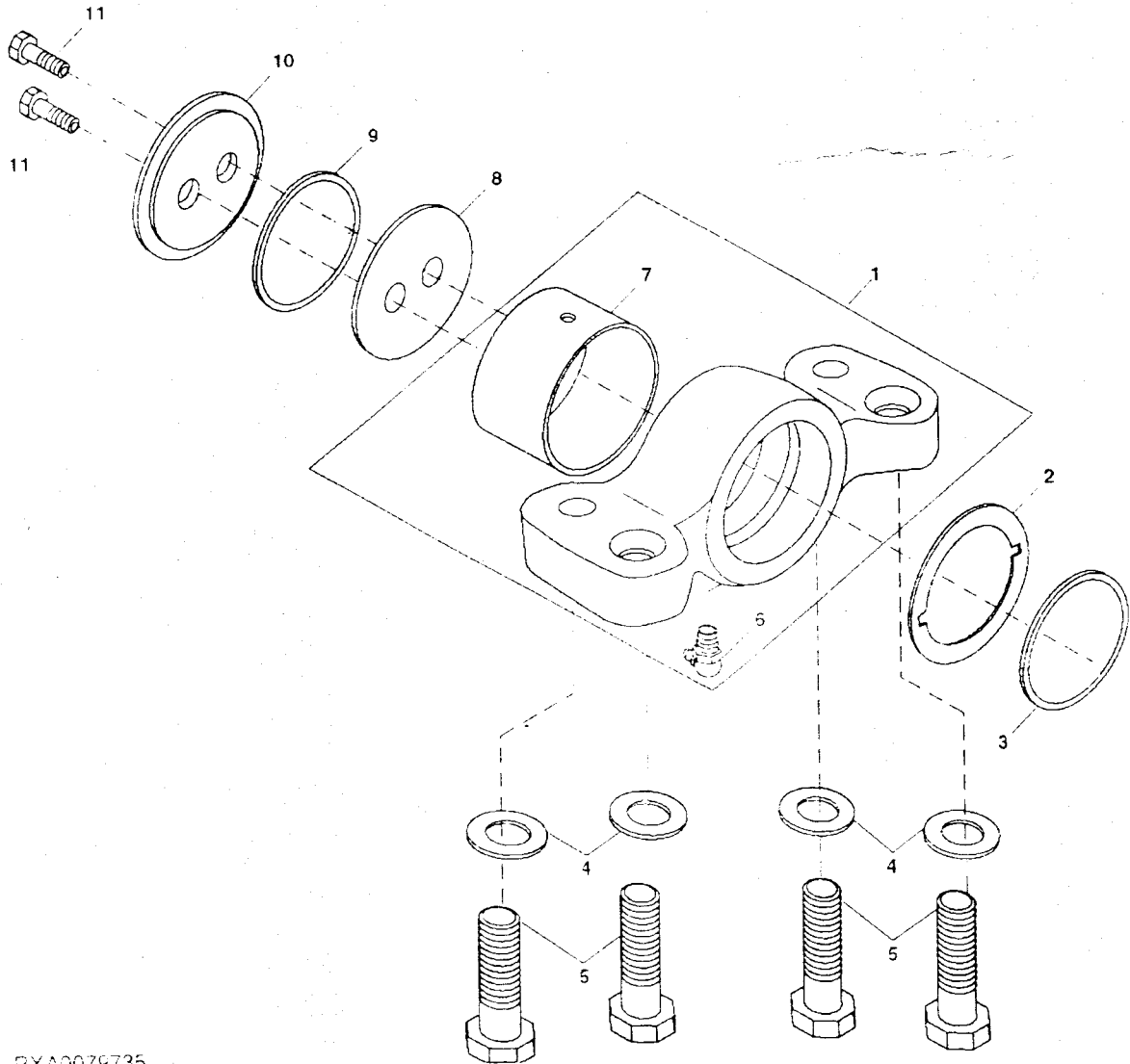
# 80-6

WHEELS, FRONT AXLES AND SHEET METAL

FRONT AXLE FRONT PIVOT SUPPORT (MFWD)  
SUPPORT DE PIVOT AVANT D'ESSIEU AVANT (MFWD)  
VORDERES VORDERACHS-GELENKZAPFENLAGER (MFWD)  
SUPPORTO DELL'ARTICOLAZIONE ANTERIORE DELL'ASSALE ANTERIORE (MFWD)  
SOPORTE DEL PIVOTE DELANTERO DEL EJE DELANTERO (MFWD)  
FRAMAXELNS FRAEMRE LEDSTOED (MFWD)

RXA0079735

-UN-17MAY05



RXA0079735

THIS PARTS LISTING IS CONTINUED



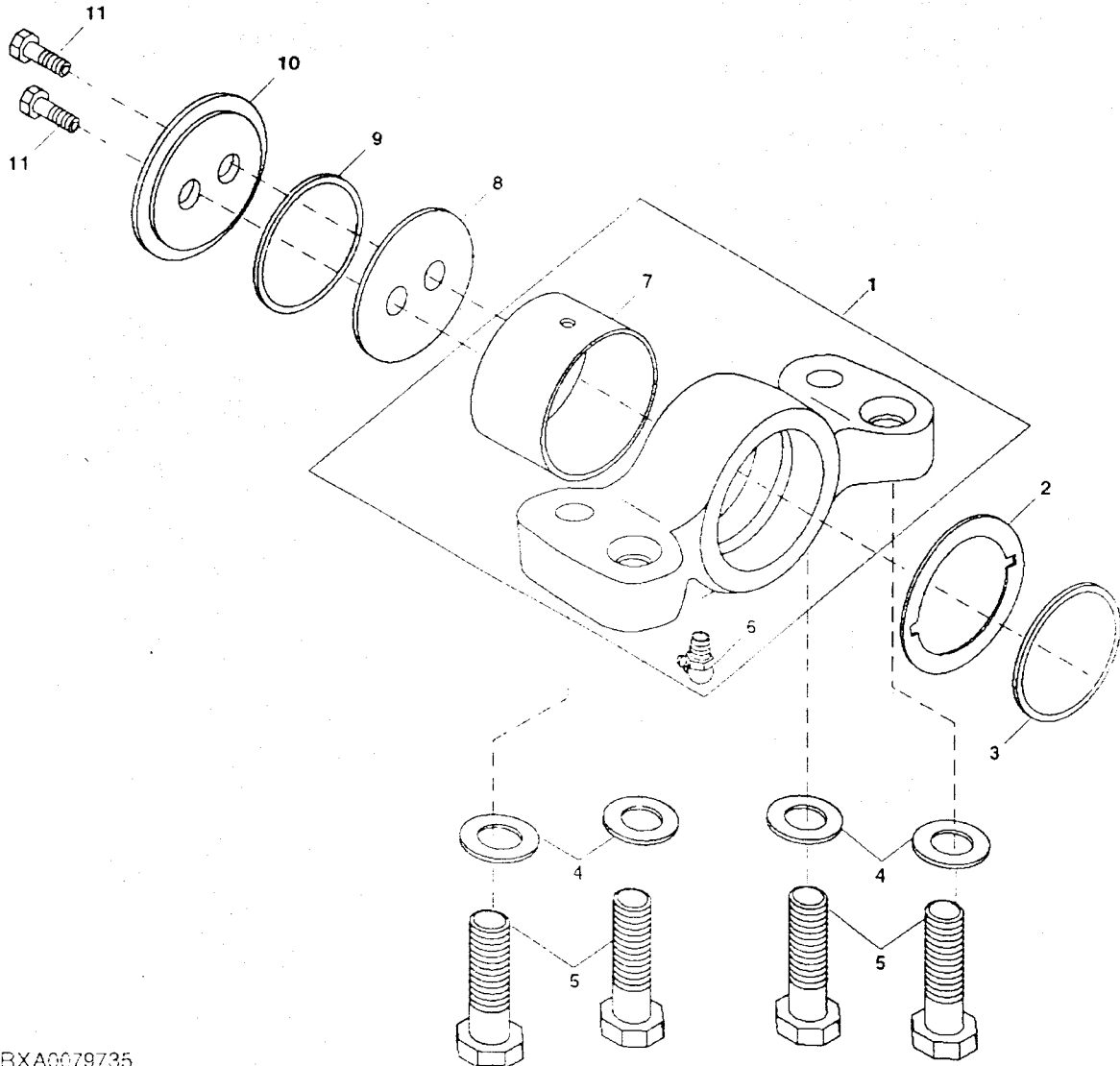
# 80-7

WHEELS, FRONT AXLES AND SHEET METAL

KEY	PART NO.	PART NAME	QTY.	TRACTOR SERIAL NO.			REMARKS
				8 8 8	1 2 3	3 3 3	
1	RE62204	SUPPORT	1	X	X	X	
2	R124958	THRUST WASHER	1	X	X	X	
3	R134224	PACKING	1	X	X	X	
4	24M7344	WASHER	4	X	X	X	22 X 37 X 3 MM
5	19M9134	CAP SCREW	4	X	X	X	M20 X 80. HS 10.9
6	JD7798	LUBRICATION FITTING	1	X	X	X	
7	R125974	BUSHING	1	X	X	X	
8	R124961	THRUST WASHER	1	X	X	X	
9	R134224	PACKING	1	X	X	X	
10	R124962	RETAINER	1	X	X	X	
11	19M7488	CAP SCREW	2	X	X	X	M16 X 40. HS 10.9

FRONT AXLE FRONT PIVOT SUPPORT (MFWD)  
SUPPORT DE PIVOT AVANT D'ESSIEU AVANT (MFWD)  
VORDERES VORDERACHS-GELENKZAPFENLAGER (MFWD)  
SUPPORTO DELL'ARTICOLAZIONE ANTERIORE DELL'ASSALE ANTERIORE (MFWD)  
SOPORTE DEL PIVOTE DELANTERO DEL EJE DELANTERO (MFWD)  
FRAMAXELNS FRAEMRE LEDSTOED (MFWD)

RXA0079735 -UN-17MAY05



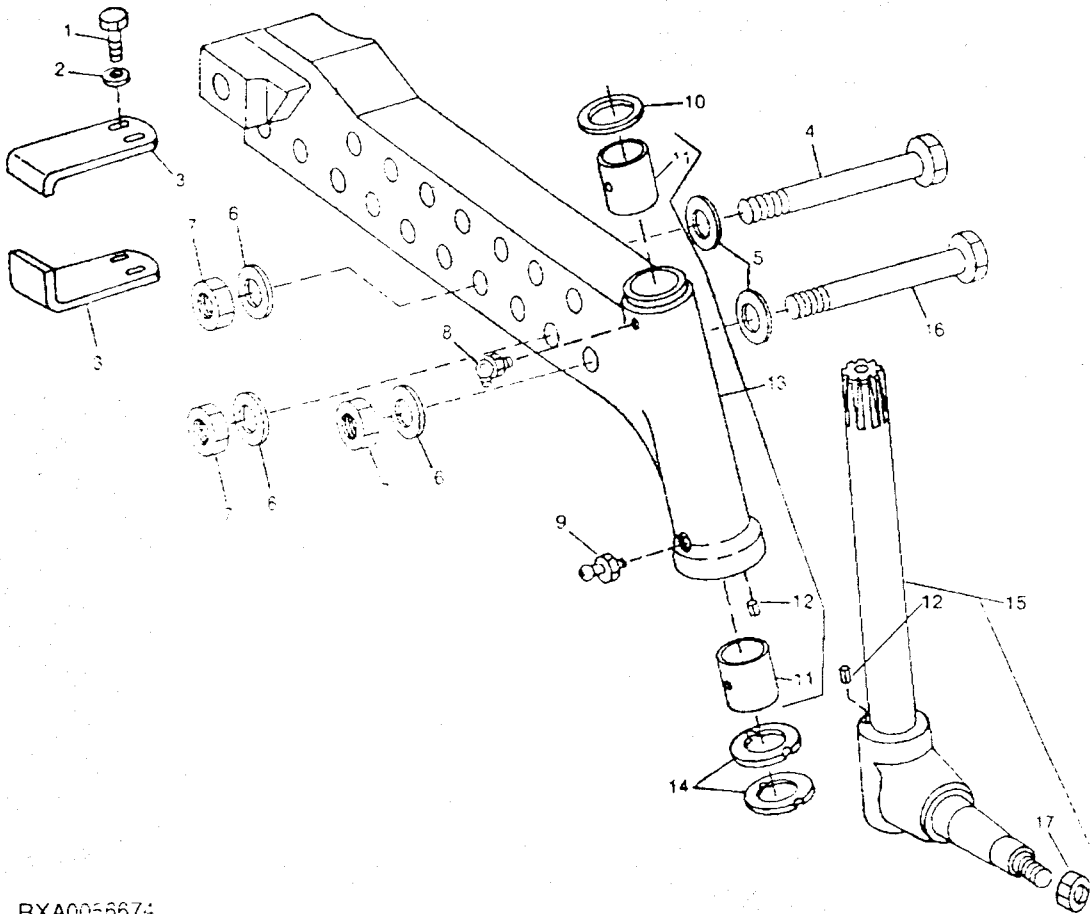
RXA0079735

THIS PARTS LISTING IS CONTINUED

KEY	PART NO.	PART NAME	QTY.	TRACTOR SERIAL NO.	8 4 3 0	REMARKS
1	RE62204	SUPPORT	1		X	
2	R124958	THRUST WASHER	1		X	
3	R134224	PACKING	1		X	
4	24M7344	WASHER	4		X	22 X 37 X 3 MM
5	19M9134	CAP SCREW	4		X	M20 X 80, HS 10.9
6	JD7798	LUBRICATION FITTING	1		X	
7	R125974	BUSHING	1		X	
8	R124961	THRUST WASHER	1		X	
9	R134224	PACKING	1		X	
10	R124962	RETAINER	1		X	M16 X 40, HS 10.9
11	19M7488	CAP SCREW	2			

FRONT AXLE KNEE SPINDLE KNUCKLE  
PORTE-FUSEE/FUSEE  
VORDERACHSARM/ACHSSCHENKEL  
MONTANTE ASSALE ANTERIORE/FUSELLO  
EXTENSION DEL EJE DELANTERO/MANGUETA  
FRAMAXELARM/SPINDELTAPP

RXA0056674 -UN-28AUG01



RXA0056674

THIS PARTS LISTING IS CONTINUED

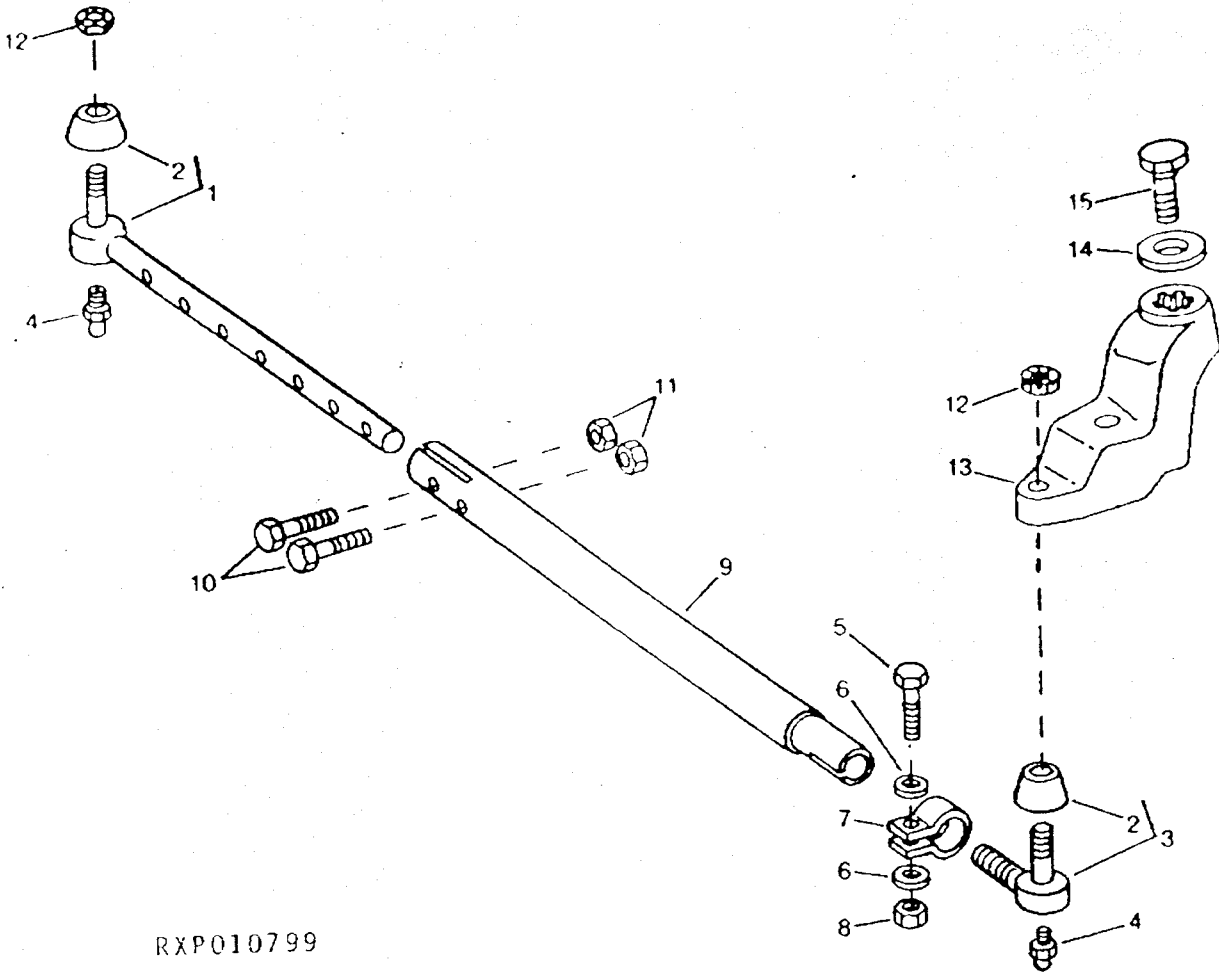
# 80-11

## WHEELS, FRONT AXLES AND SHEET METAL

KEY	PART NO	PART NAME	QTY.	TRACTOR SERIAL NO.	REMARKS
				8	
				1	
				3	
				0	
1	19M7167	CAP SCREW	4		X M10 X 25
2	24M7040	WASHER	4		X 11 X 20 X 2 MM
3	R136359	CLAMP	2		X
4	19M8503	CAP SCREW	2		X M20 X 160 HS 10.9
5	24M7344	WASHER	4		X 22 X 37 X 3 MM
6	24M7344	WASHER	4		X 22 X 37 X 3 MM
7	14M7277	NUT	4		X M20
8	JD7799	LUBRICATION FITTING	1		X UP
9	JD7798	LUBRICATION FITTING	1		X LOW
10	R31251	WASHER	6		X
11	R52188	BUSHING	2		X
12	34H308	SPRING PIN	1		X 1 1/2" X 1 2"
13	RE58605	AXLE KNEE	1		X RH
14	RE58606	AXLE KNEE	1		X LH
15	R30398	THRUST WASHER	2		X
16	RE71370	KNUCKLE	1		X
17	19M8100	CAP SCREW	2		X M20 X 180. HS 10.9
18	14M7519	NUT	1		X M24. (ALSO ORDER 11M7030)

TIE ROD  
BARRE D'ACCOUPEMENT  
SPURSTANGE  
BARRA D'ACCOPIAMENTO  
VARILLA TENSORA  
PARALLELSTAG

RXP010799 UN-01JAN94



RXP010799

THIS PARTS LISTING IS CONTINUED

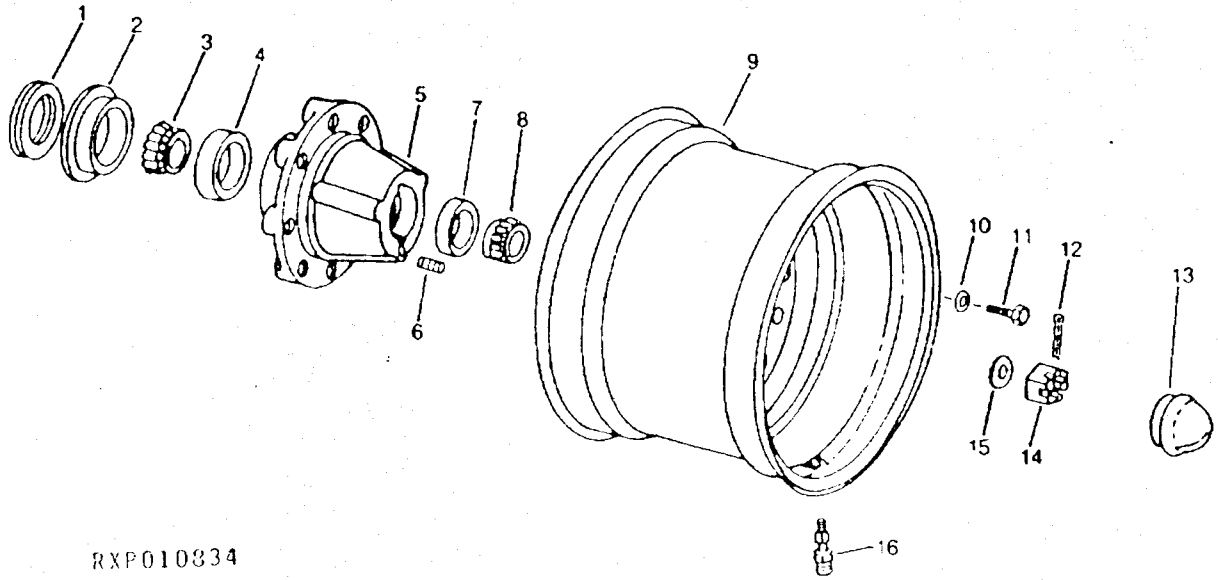
# 80-13

WHEELS, FRONT AXLES AND SHEET METAL

KEY	PART NO.	PART NAME	QTY.	TRACTOR SERIAL NO.	8 1 3 0	REMARKS
1	RE58495	TIE ROD END	1		X	L.H.
2	R78027	COVER	2		X	
3	RE58693	TIE ROD END	1		X	R.H.
4	JD7797	LUBRICATION FITTING	2		X	
5	19M7214	CAP SCREW	1		X	M12 X 70
6	24M7047	WASHER	2		X	13 X 24 X 2.500 MM
7	R66307	CLAMP	1		X	
8	14M7313	LOCK NUT	1		X	M12
9	R125162	TUBE	1		X	
10	19H3704	CAP SCREW	2		X	3/8" X 2-1/4"
11	K40003	LOCK NUT	2		X	3/8"
12	R125532	LOCK NUT	2		X	
13	R125163	STEERING ARM	1		X	R.H.
	R125164	STEERING ARM	1		X	L.H.
14	R121183	WASHER	2		X	
15	19M8002	CAP SCREW	2		X	M20 X 55, HS 10.9

FRONT WHEEL  
ROUES AVANT  
VORDERRAEDE  
ROUTE ANTERIORI  
RUEDAS DELANTERAS  
FRAMHJUL

RXP010834 -UN-01JAN94



RXP010834

THIS PARTS LISTING IS CONTINUED

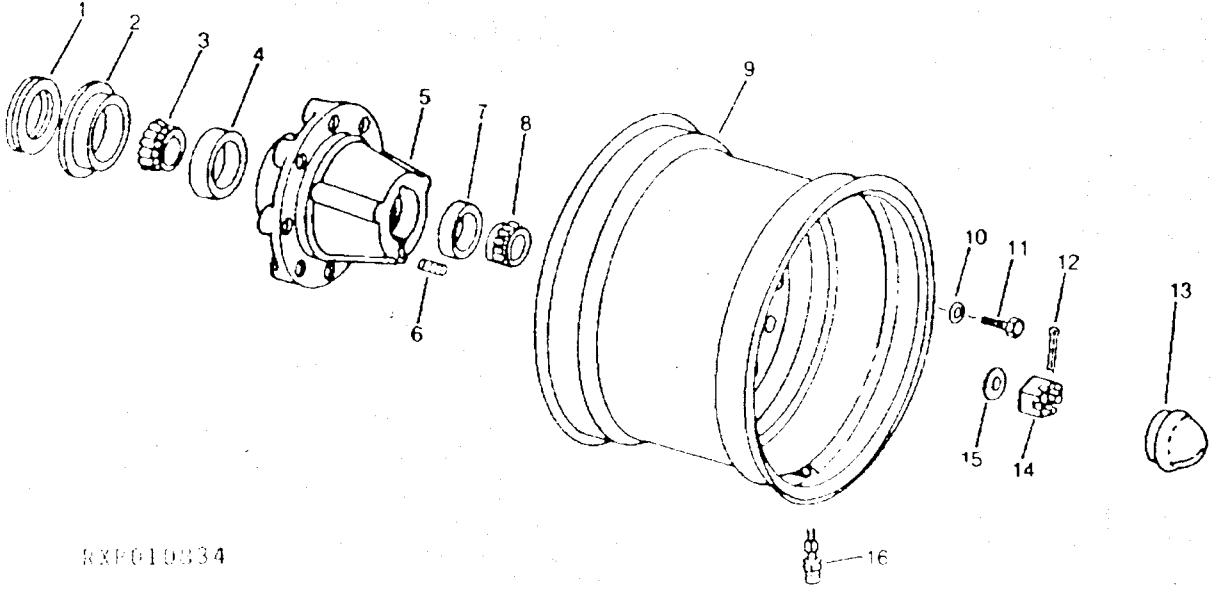


# 80-14

WHEELS, FRONT AXLES AND SHEET METAL

FRONT WHEEL  
ROUES AVANT  
FRÖDERRÄDER  
ROUETE ANTERIORI  
RUEDAS DELANTERAS  
FRAMHJUL

KP010834 -UN-01JAN94



KXP010834

THIS PARTS LISTING IS CONTINUED

KEY	PART NO.	PART NAME	QTY.	TRACTOR SERIAL NO.	8 1 3 0	REMARKS
1	AR27806	SEAL	1		X	
2	R28574	SEAL	1		X	
3	JD8131	BEARING CONE	1		X	
4	JD7439	BEARING CUP	1		X	
5	R113716	HUB	1		X	
6	22H841	SET SCREW	1		X	1/4" X 1/4"
7	JD7266	TAPERED ROLLER BEARING	1		X	
8	JD10190	BEARING CONE	1		X	
9	RE70784	WHEEL	1		X	(A) (14L-16.1)
	RE70785	WHEEL	1		X	(A) (16.5L-16.1)
	RE70776	WHEEL	1		X	(A) (11.00-20")
	RE70777	RIM AND WHEEL CENTER	1		X	(A) (11.00-24")
10	24M7241	WASHER	8		X	17 X 34 X 4 MM
11	19M7488	CAP SCREW	8		X	M16 X 40. HS 10.9
12	11M7030	COTTER PIN	1		X	0.197" X 1.575"
13	DT2127W	CAP	1		X	
14	14M7519	NUT	1		X	M24
15	24M7243	WASHER	1		X	25.400 X 50 X 6 MM
16	AT25226	TIRE VALVE STEM	1		X	(A) (14L-16.1, 16.5L-16.1, 11.00-20, 11.00-24)

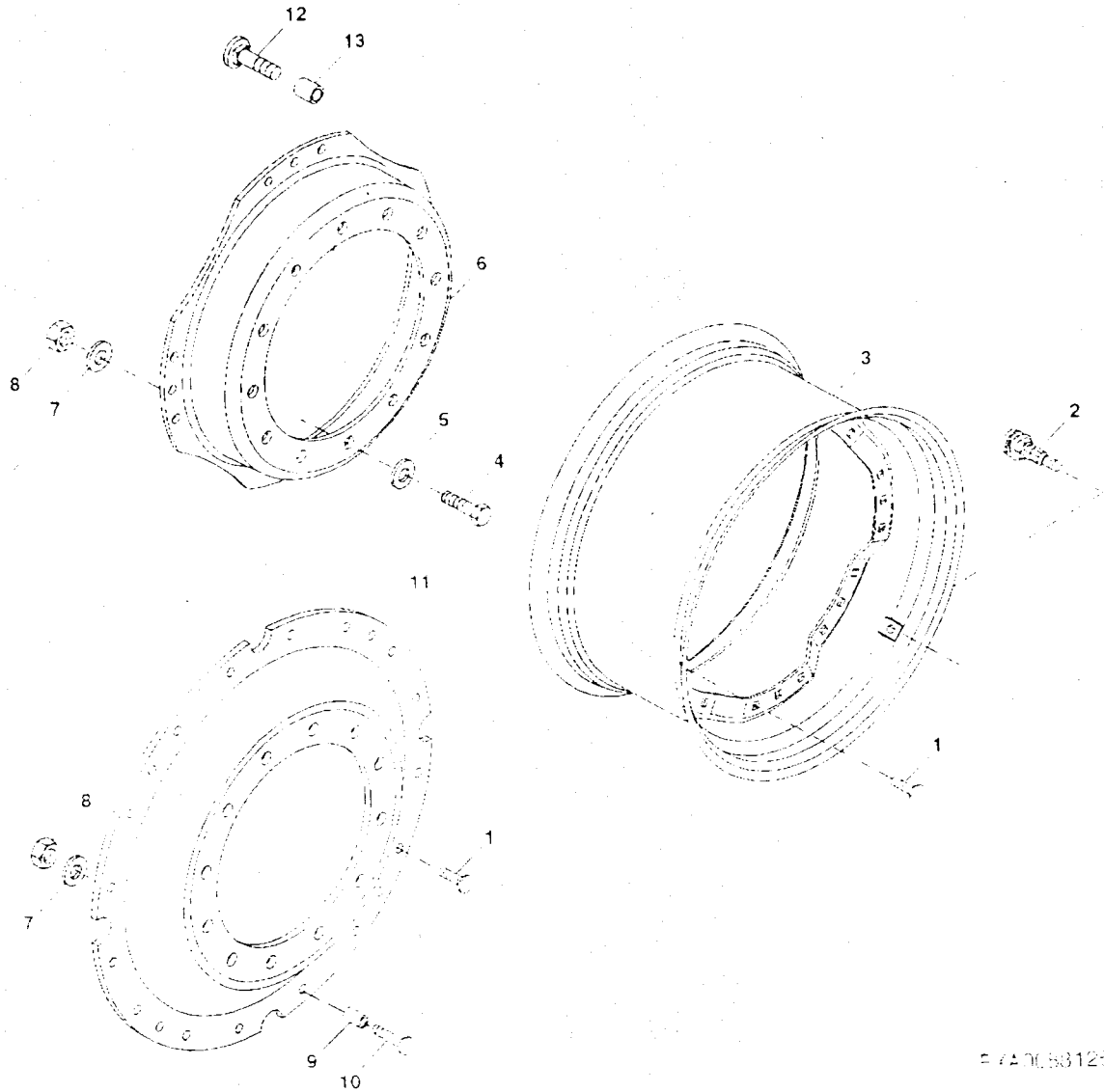
(A) FOR TIRE SIZE  
 POUR PNEUMATIQUES  
 FUER BEREFUNG  
 PER PNEUMATICI  
 PARA NEUMATICOS  
 FOR DACKSDIMENSION

KEY	PART NO.	PART NAME	QTY.	TRACTOR SERIAL NO.	8 1 3 0	REMARKS
1	AR27806	SEAL	1		X	
2	R28574	SEAL	1		X	
3	JD8131	BEARING CONE	1		X	
4	JD7439	BEARING CUP	1		X	
5	R113716	HUB	1		X	1 1/4" X 1 1/4"
6	22H841	SET SCREW	1		X	
7	JD7266	TAPERED ROLLER BEARING	1		X	
8	JD10190	BEARING CONE	1		X	(A) (14L-16.1)
9	RE70784	WHEEL	1		X	(A) 16.5L-16.1
	RE70785	WHEEL	1		X	(A) 11.00-20
	RE70776	WHEEL	1		X	(A) 11.00-24
	RE70777	RIM AND WHEEL CENTER	1		X	(A) 3 1/4" X 4 MM
10	24M7241	WASHER	1		X	(A) 3/8" X 40. HS 10.9
11	19M7488	CAP SCREW	1		X	(A) 3/8" X 1.575
12	11M7030	COTTER PIN	1		X	
13	DT2127W	CAP	1		X	(A)
14	14M7519	NUT	1		X	(A) 3/8" X 50 X 8 MM
15	24M7243	WASHER	1		X	(A) 14L-16.1, 16.5L-16.1, 11.00-20, OR
16	AT25225	TIRE VALVE STEM	1		X	(A) 11.00-24

(A) FOR TIRE SIZE  
 POUR PNEUMATIQUES  
 FUER BEREIFUNG  
 PER PNEUMATICI  
 PARA NEUMATICOS  
 FOR DACKSDIMENSION

FRONT WHEEL ASSEMBLY (MFW) (12 BOLT) (8-POSITION)  
 ROUES AVANT ROULEMENTS (MFW) (12 BOULONS) (8-POSITIONS)  
 VORDERRAEDER LAGER (MFW) (12 SCHRAUBEN) (8-POSITION)  
 ROUTE ANTERIORI MOZZO (MFW) (12 BULLONE) (8-POSIZIONE)  
 RUEDAS DELANTERAS RODAMIENTOS (MFW) (12 BULONES) (8-POSICION)  
 FRAMHJULSENHET (MFW) (12 BULTAR) (8-POSITION)

RXA0083126 -UN-31MAR06



RXA0083126

THIS PARTS LISTING IS CONTINUED

8130, 8230, 8330, 8430, 8530 TRACTORS PC9457 (12-APR-56) PN-524

KEY	PART NO	PART NAME	QTY	TRACTOR SERIAL NO.	REMARKS
				7 8 8 1 2 3 3 3 3 0 0 0	
1	R175576	BOLT	12	X X X	M16 X 50, HS 10.9
2	AT25226	TIRE VALVE STEM	1	X X X	
3	RE156605	RIM	1	X X X (A)	(16.9R28) (18.4R28) (420 84R28) (480 70R28)
	RE214448	RIM	1	X X X (A)	(F) (USE WITH R196203) (600 70R30) (620 75R30)
	RE171004	RIM	1	X X X (A)	(E) (600 70R30) (620 75R30) (USE WITH R196203)
	RE221864	RIM	1	X X X (A)	(14.9R30) (380/85R30) (SUB FOR RE156607) (USE WITH RE171004)
	RE156609	RIM	1	X X X (A)	(290 95R34) (320/85R34)
	RE156610	RIM	1	X X X (A)	(14.9R34) (380/85R34)
	RE166194	RIM	1	X X X (A)	(420 85R34) (480/70R34) (USE WITH R197147)
	RE174340	RIM	1	X X X (A)	(E) (540 65R34) (540 75R34) (USE WITH R196205)
	RE214447	RIM	1	X X X (A)	(F) (USE WITH R196205) (540 65R34) (540 75R34)
	RE156608	RIM	1	X X X (A)	(E) (16.9R30) (480 70R30) (420 90R30)
	RE175579	RIM	1	X X X (A)	(F) (16.9R30) (480 70R30) (420 90R30)
	RE156606	RIM	1	X X X (A)	(E) (23.6R28) (600/65R28)
	RE176457	RIM	1	X X X (A)	(F) (23.6R28) (600/65R28)
4	19M8224	CAP SCREW	12	X X X	M20 X 60, HS 10.9
5	24M7242	WASHER	12	X X X	21.400 X 42 X 5 MM
6	R156497	WHEEL CENTER	1	X X X (A)	(B) 28" & 30" (16.9R30) (420 90R30) (480 70R30) (540/65R30) (14.9R30) (380 85R30)
	R156498	WHEEL CENTER	1	X X X (A)	(C) 28" & 30" (600/65R28) (16.9R30) (420/90R30) (540/65R30)
	R156499	WHEEL CENTER	1	X X X (A)	(B) 34" (290/95R34) (320 85R34) (380 85R34) (14.9R34)
7	24M7241	WASHER	12	X X X	17 X 34 X 4 MM
	24M7241	WASHER	8	X X X	17 X 34 X 4 MM, (USE WITH R187845)
8	14M7276	NUT	12	X X X	M16
	14M7276	NUT	8	X X X	M16, (USE WITH R187845)
9	R187841	SPACER	8	X X X	(USE WITH R187845)
10	R187845	BOLT	8	X X X	(USE WITH R187841)
11	R196203	WHEEL CENTER	1	X X X (A)	(C) 28" & 30" (600 70R30) (620 75R30)
	R196205	WHEEL CENTER	1	X X X (A)	(C) 34" (420/85R34) (480 70R34) (540 65R34) (540/75R34)
	R197147	WHEEL CENTER	1	X X X (A)	(B) (420 85R34) (480 70R34) (12 BOLT)
12	R115278	BOLT	12	X X X (D)	
13	R115277	SPACER	12	X X X (D)	

(A) FOR TIRE SIZE  
POUR PNEUMATIQUES  
FUER BEREIFUNG  
PER PNEUMATICI  
PARA NEUMATICOS  
FOR DACKSDIMENSION

(C) 75 MM FLANGE OFFSET  
75 MM REGLAGE OF DE BRIDE  
75 MM GEKROPFTER FLANSCH  
75 MM COMPENSACION DE BRIDA  
75 MM DISASSAMENTO FANGA  
75 MM JUSTERINGSVAVST NO FLANS

(E) NA & REGION 1 EXCEPT AUSTRALIA  
NA ET REGION 1 SAUF AUSTRALIE  
NA UND REGION 1 AUSSER AUSTRALIEN  
NA ED REGIONE 1 TRANNE L'AUSTRALIA  
NA Y REGION 1 EXCEPTO AUSTRALIA  
NA OCH REGION 1 UTOM AUSTRALIEN

(B) 101.6 MM FLANGE OFFSET  
101.6 MM REGLAGE DE BRIDE  
101.6 MM GEKROPFTER FLANSCH  
101.6 COMPENSACION DE BRIDA  
101.6 MM DISASSAMENTO FANGIA  
101.6 MM JUSTERINGSVAVST NO FLANS

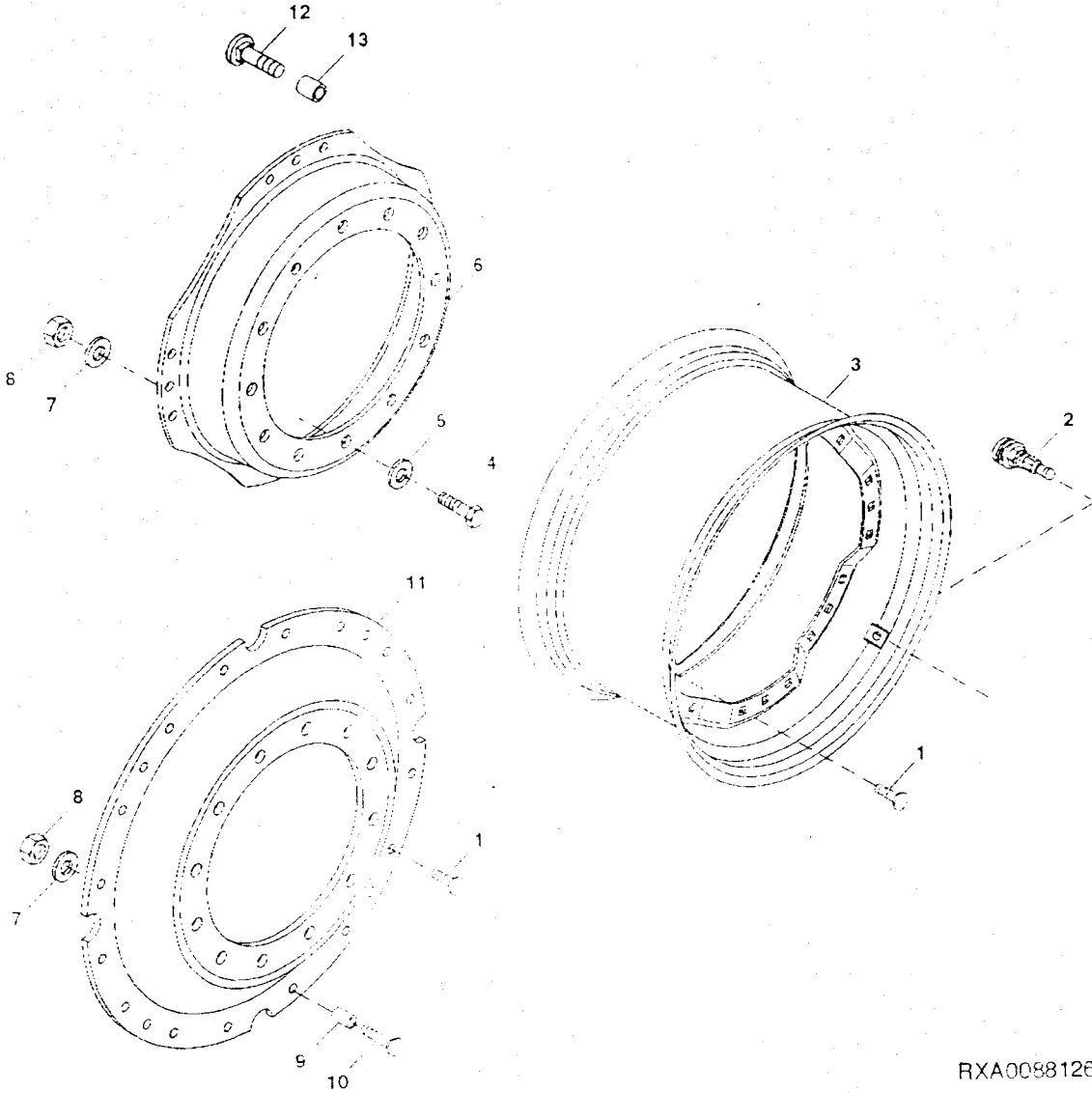
(D) 66" TREAD SETTING  
VOIE DE ROUES DE 1650 MM (66 IN.)  
1650 MM (66 IN.) SPUREINSTELLUNG  
IMPOSTAZIONE DELLA CARREGGIATA DA 1650 MM  
AJUSTE DEL ANCHO DE VIA DE 1650 MM (66 IN.)  
1650 MM (66") SPAARVIDD

(F) REGION 2 AND AUSTRALIA  
REGION 2 ET AUSTRALIE  
REGION 2 UND AUSTRALIEN  
REGIONE 2 ED L'AUSTRALIA  
REGION 2 Y AUSTRALIA  
REGION 2 OCH AUSTRALIEN

FRONT WHEEL ASSEMBLY (MFWD) (12 BOLT) (8-POSITION)  
ROUES AVANT ROULEMENTS (MFWD) (12 BOULONS) (8-POSITIONS)  
VORDERRAEDER LAGER (MFWD) (12 SCHRAUBEN) (8-POSITION)  
ROUTE ANTERIORI MOZZO (MFWD) (12 BULLONE) (8-POSIZIONE)  
RUEDAS DELANTERAS RODAMIENTOS (MFWD) (12 BULONES) (8-POSICION)  
FRAMHJULSENHET (MFWD) (12 BULTAR) (8-POSITION)

RXA0088126

UN-31MAR06



RXA0098126

KEY	PART NO.	PART NAME	QTY.	TRACTOR SERIAL NO.	REMARKS
				8 8	
				4 5	
				3 3	
				0 0	
1	R175576	BOLT	12		X X M16 X 50, HS 10.9
2	AT25226	TIRE VALVE STEM	1		X X
3	RE156605	RIM	1		X X (A) (16.9R28) (18.4R28) (420/84R28) (480/70R28)
	RE214448	RIM	1		X X (A) (F) (USE WITH R196203) (600/70R30) (620/75R30)
	RE171004	RIM	1		X X (A) (E) (600/70R30) (620/75R30) (USE WITH R196203)
	RE221864	RIM	1		X X (A) (14.9R30) (380/85R30) (SUB FOR RE156607) (USE WITH RE171004)
	RE156609	RIM	1		X X (A) (290/95R34) (320/85R34)
	RE156610	RIM	1		X X (A) (14.9R34) (380/85R34)
	RE166194	RIM	1		X X (A) (420/85R34) (480/70R34) (USE WITH R197147)
	RE174340	RIM	1		X X (A) (E) (540/65R34) (540/75R34) (USE WITH R196205)
	RE214447	RIM	1		X X (A) (F) (USE WITH R196205) (540/65R34) (540/75R34)
	RE156608	RIM	1		X X (A) (E) (16.9R30)(480/70R30)(420/90R30)
	RE175579	RIM	1		X X (A) (F) (16.9R30)(480/70R30)(420/90R30)
	RE156606	RIM	1		X X (A) (E) (23.6R28) (600.65R28)
	RE176457	RIM	1		X X (A) (F) (23.6R28) (600.65R28)
4	19M8224	CAP SCREW	12		X X M20 X 60, HS 10.9
5	24M7242	WASHER	12		X X 21.400 X 42 X 5 MM
6	R156497	WHEEL CENTER	1		X X (A) (B) 28" & 30" (16.9R30) (420/90R30) (480/70R30) (540/65R30) (14.9R30)(380/85R30)
	R156498	WHEEL CENTER	1		X X (A) (C) 28" & 30" (600/65R28) (16.9R30) (420/90R30) (540/65R30)
	R156499	WHEEL CENTER	1		X X (A) (B) 34" (290/95R34) (320/85R34) (380/85R34) (14.9R34)
7	24M7241	WASHER	12		X X 17 X 34 X 4 MM
	24M7241	WASHER	8		X X 17 X 34 X 4 MM. (USE WITH R187845)
8	14M7276	NUT	12		X X M16
	14M7276	NUT	8		X X M16. (USE WITH R187845)
9	R187841	SPACER	8		X X (USE WITH R187845)
10	R187845	BOLT	8		X X (USE WITH R187841)
11	R196203	WHEEL CENTER	1		X X (A) (C) 28" & 30" (600/70R30) (620/75R30)
	R196205	WHEEL CENTER	1		X X (A) (C) 34" (420/85R34) (480/70R34) (540/65R34) (540/75R34)
	R197147	WHEEL CENTER	1		X X (A) (B) (420/85R34) (480/70R34) (12 BOLT)
12	R115278	BOLT	AR		X X (D)
13	R115277	SPACER	AR		X X (D)

(A) FOR TIRE SIZE  
 POUR PNEUMATIQUES  
 FUER BEREIFUNG  
 PER PNEUMATICI  
 PARA NEUMATICOS  
 FOR DACKSDIMENSION

(C) 75 MM FLANGE OFFSET  
 75 MM REGLAGE OF DE BRIDE  
 75 MM GEKROPFTER FLANSCH  
 75 MM COMPENSACION DE BRIDA  
 75 MM DISASSAMENTO FANGIA  
 75 MM JUSTERINGSAVST NO FLANS

(E) NA & REGION 1 EXCEPT AUSTRALIA  
 NA ET REGION 1 SAUF AUSTRALIE  
 NA UND REGION 1 AUSSER AUSTRALIEN  
 NA ED REGIONE 1 TRANNE L'AUSTRALIA  
 NA Y REGION 1 EXCEPTO AUSTRALIA  
 NA OCH REGION 1 UTOM AUSTRALIEN

(B) 101.6 MM FLANGE OFFSET  
 101.6 MM REGLAGE DE BRIDE  
 101.6 MM GEKROPFTER FLANSCH  
 101.6 COMPENSACION DE BRIDA  
 101.6 MM DISASSAMENTO FANGIA  
 101.6 MM JUSTERINGSAVST NO FLANS

(D) 66" TREAD SETTING  
 VOIE DE ROUES DE 1650 MM (66 IN.)  
 1650 MM (66 IN.) SPUREINSTELLUNG  
 IMPOSTAZIONE DELLA CARREGGIATA DA 1650 MM  
 AJUSTE DEL ANCHO DE VIA DE 1650 MM (66 IN.)  
 1650 MM (66") SPAARVIDD

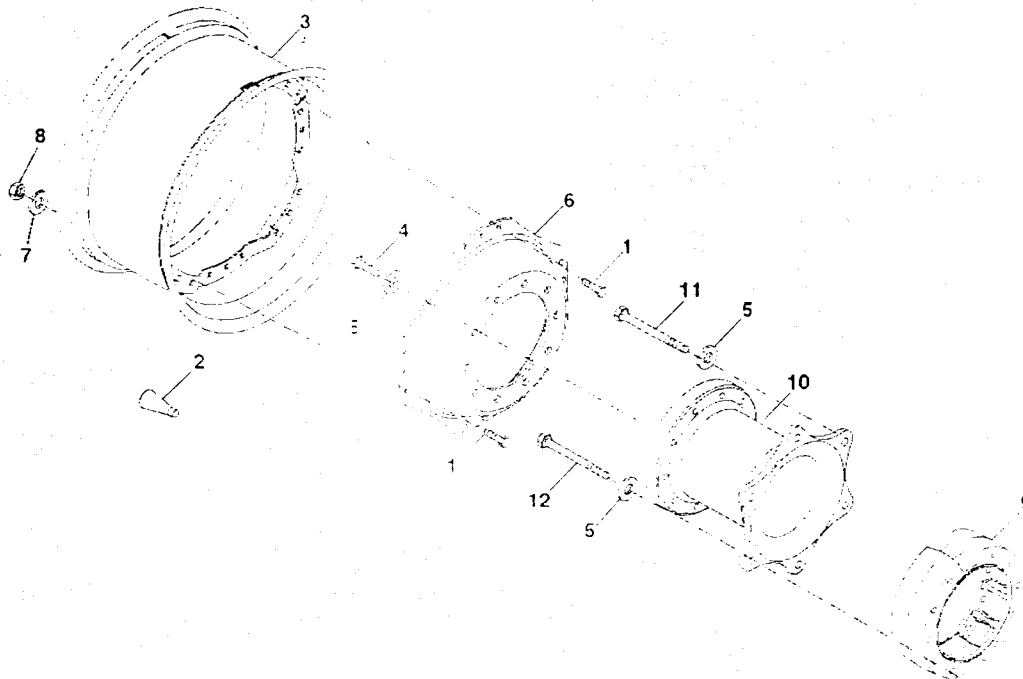
(F) REGION 2 AND AUSTRALIA  
 REGION 2 ET AUSTRALIE  
 REGION 2 UND AUSTRALIEN  
 REGIONE 2 ED L'AUSTRALIA  
 REGION 2 Y AUSTRALIA  
 REGION 2 OCH AUSTRALIEN

# 80-20

WHEELS, FRONT AXLES AND SHEET METAL

FRONT WHEELS (ILS) (10 BOLT) (8-POSITION) (DUALS)  
ROUSES AVANT (ILS) (10 BOULONS) (8-POSITIONS) (DOUBLES)  
VORDERRAEDE (ILS) (10 SCHRAUBEN) (8-POSITION) (DOPPEL RAEDERS)  
RUOTE ANTERIORI (ILS) (10 BULLONE) (8-POSIZIONE) (DOPPIOS)  
RUEDAS DELANTERAD (ILS) (10 BULONES) (8-POSICION) (DOBLES)  
FRAMHJUL (ILS) (10 BULTAR) (8-POSITION) (DUBBLAS)

RXA0059188 -UN-11JAN02



RXA0059188



				A	L
				TRACTOR	
1	R175576	BOLT	12	X	M16 X50, HS 10.9
2	AT25226	TIRE VALVE STEM	1	X	
3	RE156605	RIM	1	X	(A) (18.4R28)
	RE156610	RIM	1	X	(A) (14.9-34) (380/85R34)
	RE166194	WHEEL	1	X	(A) (420/85R34) (480/70R34)
	RE175579	WHEEL	1	X	(A) (D) (16.9R30) (420/90R30) (480/70R30)
4	19M8224	CAP SCREW	10	X	M20 X 60, HS 10.9
5	24M7242	WASHER	10	X	21.400 X 42 X 5 MM
6	R179970	WHEEL CENTER	1	X	(A) (B) 28" & 30" (18.4R28) (16.9R30) (420/90R30) (480/70R30)
	R156496	WHEEL CENTER	1	X	(A) (B) 34" (380/85R34) (14.9R34)
	R197146	WHEEL CENTER	1	X	(A) (B) 34" (420/85R34) (480/70R34)
7	24M7241	WASHER	12	X	17 X 34 X 4 MM
8	14M7276	NUT	12	X	M16
9	R163388	EXTENSION	1	X	
10	R163389	EXTENSION	1	X	(E)
11	19M7778	CAP SCREW	4	X	M20 X 220 HS 10.9
12	19M7779	CAP SCREW	6	X	M20 X 240, HS 10.9

(A) FOR TIRE SIZE  
POUR PNEUMATIQUES  
FUER BEREIFUNG  
PER PNEUMATICI  
PARA NEUMATICOS  
FOR DACKSDIMENSION

(C) REGION 1 EXCEPT AUSTRALIA  
REGION 1 SAUF AUSTRALIE  
REGION 1 AUSSER AUSTRALIEN  
REGIONE 1 TRANNE L'AUSTRALIA  
REGION 1 EXCEPTO AUSTRALIA  
REGION 1 UTOM AUSTRALIEN

(E) 132 INCH MAX. DUAL SETTING  
REGLAGE MAXIMUM JUMEELES 132 INCH  
132 INCH MAXIMALE DOPPELEINSTELLUNG  
IMPOSTAZIONE MASSIMA GEMELLATE 132 INCH  
AJUSTE DOBLE 132 IN. MAXIMO  
MAXIMAL DUBBELINSTAELLNING 132 TUM

(B) 101.6 MM FLANGE OFFSET  
101.6 MM REGLAGE DE BRIDE  
101.6 MM GEKROPFTER FLANSCH  
101.6 COMPENSACION DE BRIDA  
101.6 MM DISASSAMENTO FLANGIA  
101.6 MM JUSTERINGSVAVST NO FLANS

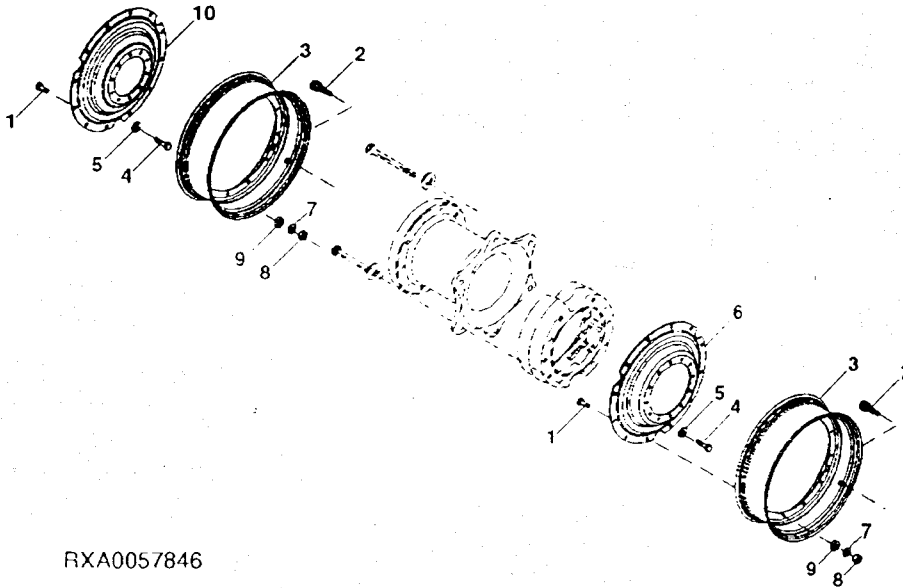
(D) REGION 2 AND AUSTRALIA  
REGION 2 ET AUSTRALIE  
REGION 2 UND AUSTRALIEN  
REGIONE 2 ED L'AUSTRALIA  
REGION 2 Y AUSTRALIA  
REGION 2 OCH AUSTRALIEN

# 80-23

WHEELS, FRONT AXLES AND SHEET METAL

FRONT WHEELS (MFWD) (12 BOLT) (16 POSITION)  
 ROUES AVANT (MFWD) (12 BOULONS) (16 POSITIONS)  
 VORDERRAEDER (MFWD) (12 SCHRAUBEN) (16-POSITION)  
 RUOTE ANTERIORI (MFWD) (12 BULLONE) (16 POSIZIONE)  
 RUEDAS DELANTERAD (MFWD) (12 BULONES) (16 POSICION)  
 FRAMHJUL (MFWD) (12 BULTAR) (16 POSITION)

RXA0057846 -UN-25OCT01



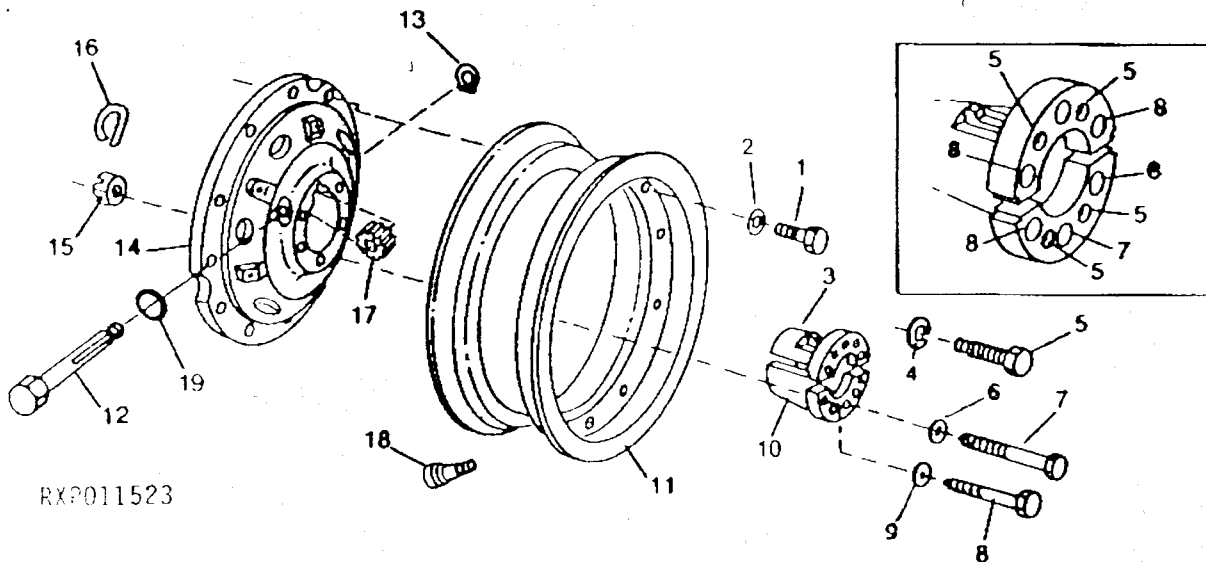
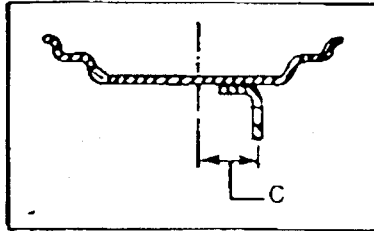
RXA0057846

KEY	PART NO.	PART NAME	QTY.	TRACTOR SERIAL NO.	A L L	REMARKS
1	R116541	WHEEL BOLT	24		X	M16 X 50. HS 10.9
2	AT25226	TIRE VALVE STEM	2		X	
3	RE174639	RIM AND WHEEL CENTER	1		X	(A) (290 90R38) (320/85R38)
	RE172803	WHEEL	1		X	(A) (380 80R38)
	RE231018	RIM	1		X	(A) (650 85R38)
4	19M8224	CAP SCREW	22		X	M20 X 50. HS 10.9
5	24M7242	WASHER	22		X	21.400 X 42 X 5 MM
6	R159030	WHEEL CENTER	1		X	38"
7	R113500	WASHER	24		X	
8	R114125	NUT	24		X	M22
9	R116539	SPACER	24		X	
10	R165797	WHEEL CENTER	1		X	

(A) FOR TIRE SIZE  
 POUR PNEUMATIQUES  
 FUER BEREIFUNG  
 PER PNEUMATICI  
 PARA NEUMATICOS  
 FOR DACKSDIMENSION

CAST REAR WHEELS (NORTH AMERICAN VERSION)  
 ROUES ARRIERE FONTE (VERSION NORD AMERICAINE)  
 GUSS-HINTERRAEDER (NORDAMERIKANISCHE AUSFUEHRUNG)  
 RUOTE POSTERIORI GHISI (VERSIONE NORDAMERICANA)  
 RUEDAS TRASERAS DE FUNDICION (VERSION NORTEAMERICANA)  
 GJUTNA BAKHJULER (NORDAMERIKANSK VERSION)

RXP011523 -UN-06JAN95



RXP011523

THIS PARTS LISTING IS CONTINUED

KEY	PART NO.	PART NAME	QTY.	TRACTOR SERIAL NO.	REMARKS
				8 8 8 1 2 3 3 3 3 0 0 0	
1	R105572	CAP SCREW	12		X X X HS 10.9
2	R52006	WASHER	12		X X X
3	R126587	SLEEVE	1		X X X (E)
	R124249	SLEEVE	1		X (D)
4	A4883R	SNAP RING	4		X X X
5	R109147	CAP SCREW	4		X X X M22 X 56
6	R52006	WASHER	1		X X X
7	R111009	CAP SCREW	1		X X X M22 X 172
8	R109823	CAP SCREW	4		X X X M22 X 171
9	R99437	WASHER	4		X X X
10	R111103	SLEEVE	1		X X X (B) (D)
	R111104	SLEEVE	1		X X X (B) (E)
11	RE175532	WHEEL	1		X X X (A) (C) (420/80R46)
	RE161991	WHEEL	1		X X X (A) (C) (520/85R42)
	RE172186	WHEEL	1		X X X (A) (C) (380/90R50)
	RE175533	WHEEL	1		X X X (A) (C) (480/80R46) (18.4R46)
	RE166180	WHEEL	1		X X X (A) (C) (710/70R38)
12	R124256	BOLT	1		X X X
13	R125475	PIN	1		X X X
14	R124162	HUB	1		X X X
15	R111010	NUT	1		X X X
16	R125475	PIN	1		X X X (D)
17	R124102	PINION	1		X (E)
	R58865	PINION	1		X X X
18	AT25226	TIRE VALVE STEM	1		X X X
	AH86866	PLUG	1		X X X
19	R74210	O-RING	1		X X X 20.218 X 3.531 MM

(A) FOR TIRE SIZE  
 POUR PNEUMATIQUES  
 FUER BEREIFUNG  
 PER PNEUMATICI  
 PARA NEUMATICOS  
 FOR DACKSDIMENSION

(C) 76.2 MM FLANGE OFFSET  
 76.2 MM REGLAGE DE BRIDE  
 76.2 MM GEKROPFTER FLANSCH  
 76.2 MM COMPENSACION DE BRIDA  
 76.2 MM DISASSAMENTO FLANGIA  
 76.2 MM JUSTERINGSAVST ND FLANS

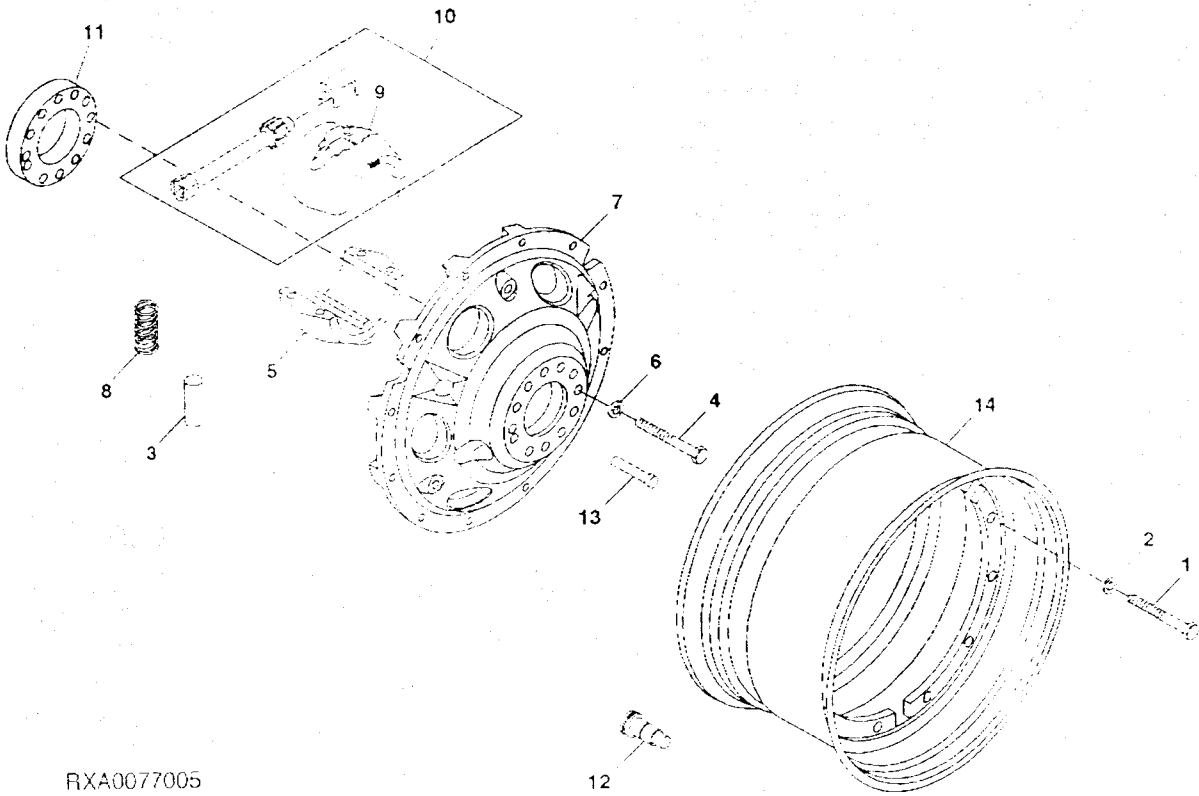
(E) 110 MM AXLE  
 110 MM ESSIEU  
 110 MM ACHSE  
 110 MM ASSALE  
 110 MM EJE  
 110 MM AXEL

(B) KEY HALF  
 CLAVETTE  
 KEILHALFTE  
 ROTEN DE LLAVE  
 CHIAVETTA  
 KONSPRINT

(D) 100 MM AXLE  
 100 MM ESSIEU  
 100 MM ACHSE  
 100 MM ASSALE  
 100 MM EJE  
 100 MM AXEL

CAST REAR WHEELS (HEAVY DUTY)  
ROUES ARRIERE FONTE (POUR SERVICE SEVERE)  
GUSS-HINTERRAEDER (SCHWERE AUSFUERUNG)  
RUOTE POSTERIORI GHISI (PER SERVIZIO PESANTE)  
RUEDAS TRASERAS DE FUNDICION (SERVICIO SEVERO)  
GJUTNA BAKHJULER (EXTRA KKRAFTIG)

RXA0077005 -UN-19AUG04



RXA0077005

THIS PARTS LISTING IS CONTINUED

KEY	PART NO.	PART NAME	QTY.	TRACTOR SERIAL NO.	REMARKS
				8 8 8	
				1 2 3	
				3 3 3	
				0 0 0	
1	R131667	CAP SCREW	12	X X X	M22 X 70 X 2.5
2	R52006	WASHER	12	X X X	
3	34M7275	SPRING PIN	4	X X X	
4	R111434	CAP SCREW	10	X X X	M22 X 130
5	R192510	SLEEVE	1	X X X	(B) (F)
	R192512	HALF SLEEVE	1	X X X	(C) (F)
6	R52006	WASHER	10	X X X	
7	R212195	WHEEL CENTER	1	X X X	
8	R51719	COMPRESSION SPRING	4	X X X	(B)
9	R192509	HALF SLEEVE	1	X X X	(C)
	R192511	HALF SLEEVE	1	X X X	(B) (SUB RE251590)
10	RE222353	SLEEVE	1	X X X	(C) (SUB RE251589)
	RE222352	SLEEVE	1	X X X	
11	R212196	HUB	1	X X X	
12	AT25226	TIRE VALVE STEM	1	X X X	
	AH86865	PLUG	2	X X X	
13	R182940	CAP SCREW	1	X X X	(A) (D)
14	RE174760	RIM AND WHEEL CENTER	1	X X X	(650/75R38)(710/70R38)(650/85R38)
	RE171073	RIM	1	X X X	(A) (E) (800/70R38)
	RE176460	WHEEL	1	X X X	(A) (D) (620/70R42)(650/65R42)
	RE175439	WHEEL	1	X X X	(A) (E) (900/50R42)
	RE172185	WHEEL	1	X X X	(A) (D) (320/90R50)
	RE175533	WHEEL	1	X X X	(A) (D) (480/80R46)(18.4R46)(520/85R46)
	RE174387	WHEEL	1	X X X	(A) (D) (620/70R46)
	RE172186	WHEEL	1	X X X	(A) (D) (380/90R50)
	RE164038	WHEEL	1	X X X	(A) (D) (480/80R50)
	RE172896	WHEEL	1	X X X	(A) (G) (380/90R50)
	RE161931	WHEEL	1	X X X	(A) (D) (320/90R54)
	RE175481	RIM AND WHEEL CENTER	1	X X X	(A) (D) (480/80R42)(18.4R42)
	RE175481	WHEEL	1	X X X	(A) (D) (520/85R42)(20.8R42)
	RE175532	WHEEL	1	X X X	(A) (D) (420/70R46)
	RE175438	RIM	1	X X X	(A) (D) (H) (710/70R42)
	RE224262	WHEEL	1	X X X	(A) (D) (I) (710/70R42)

(A) FOR TIRE SIZE  
POUR PNEUMATIQUES  
FUER BEREIFUNG  
PER PNEUMATICI  
PARA NEUMATICOS  
FOR DACKSDIMENSION

(B) 110 MM AXLE  
110 MM ESSIEU  
110 MM ACHSE  
110 MM ASSALE  
110 MM EJE  
110 MM AXEL

(C) 120 MM AXLE  
120 MM ESSIEU  
120 MM ACHSE  
120 MM ASSALE  
120 MM EJE  
120 MM AXEL

(D) 76.2 MM FLANGE OFFSET  
76.2 MM REGLAGE DE BRIDE  
76.2 MM GEKROPFTER FLANS  
76.2 MM COMPENSACION DE BRIDA  
76.2 MM DISASSAMENTO FLANGIA  
76.2 MM JUSTERINGSAVST ND FLANS

(E) 0 MM FLANGE OFFSET  
0 MM REGLAGE DE BRIDE  
0 MM GEKROPFTER FLANS  
0 MM COMPENSACION DE BRIDA  
0 MM DISASSAMENTO FLANGIA  
0 MM JUSTERINGSAVST ND FLANS

(F) KEY HALF  
CLAVETTE  
KEILHALFTE  
ROTEN DE LLAVE  
CHIAVETTA  
KONSPRINT

(G) 174.8 FLANGE OFFSET  
174.8 MM REGLAGE DE BRIDE  
174.8 MM GEKROPFTER FLANSCH  
174.8 MM COMPENSACION DE BRIDA  
174.8 MM DISASSAMENTO FLANGIA  
174.8 MM JUSTERINGSAVST ND FLANS

(H) REGION : EXCEPT AUSTRALIA  
REGION 1 SAUF AUSTRALIE  
REGION 1 AUSSER AUSTRALIEN  
REGIONE 1 TRANNE L'AUSTRALIA  
REGION 1 EXCEPTO AUSTRALIA  
REGION 1 UTOM AUSTRALIEN

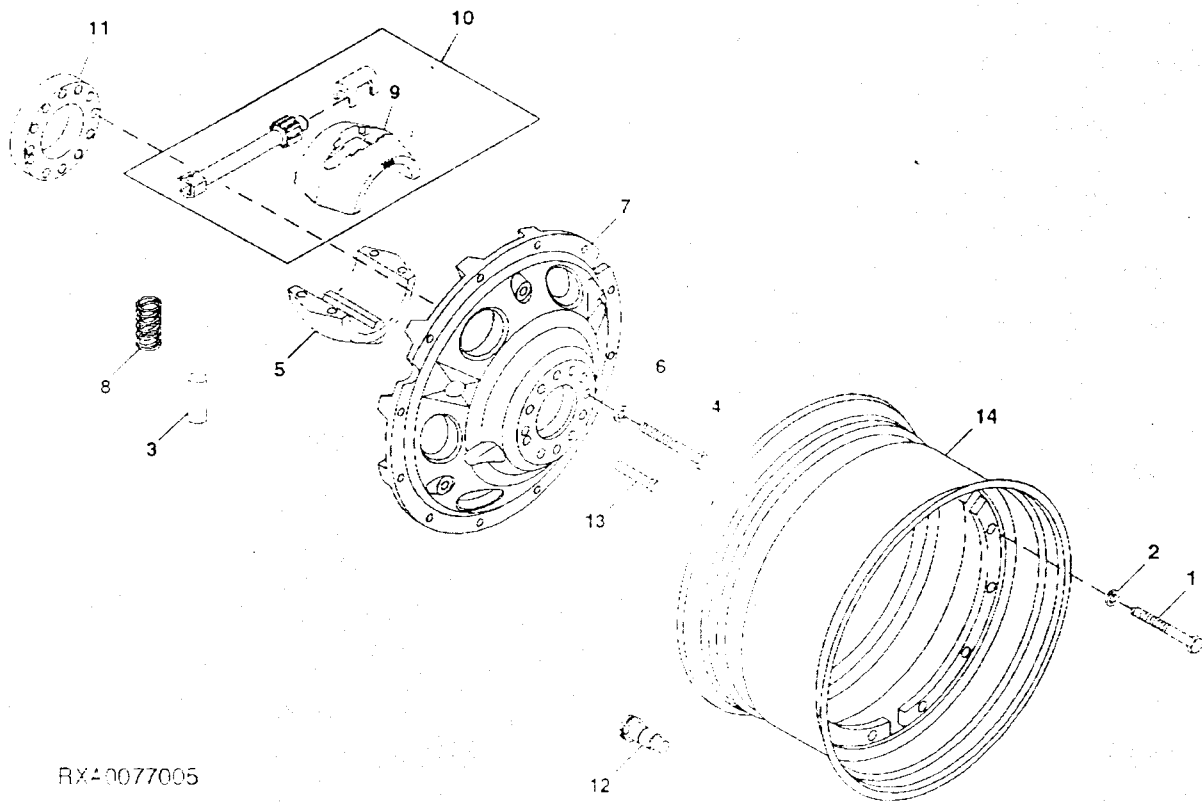
(I) REGION 2 AND AUSTRALIA  
REGION 2 ET AUSTRALIE  
REGION 2 UND AUSTRALIEN  
REGIONE 2 ED L'AUSTRALIA  
REGION 2 Y AUSTRALIA  
REGION 2 OCH AUSTRALIEN

# 80-28

WHEELS, FRONT AXLES AND SHEET METAL

CAST REAR WHEELS (HEAVY DUTY)  
ROUES ARRIERE FONTE (POUR SERVICE SEVERE)  
GUSS-HINTERRAEDER (SCHWERE AUSFUERUNG)  
RUOTE POSTERIORI GHISI (PER SERVIZIO PESANTE)  
RUEDAS TRASERAS DE FUNDICION (SERVICIO SEVERO)  
GJUTNA BAKHJULER (EXTRA KKRAFTIG)

RXA0077005 -UN-19AUG04



RXA0077005

THIS PARTS LISTING IS CONTINUED

KEY	PART NO.	PART NAME	QTY.	TRACTOR SERIAL NO.	REMARKS
				8 8	
				4 5	
				3 3	
				0 0	
1	R131667	CAP SCREW	12		X X M22 X 70 X 2.5
2	R52006	WASHER	12		X X
3	34M7275	SPRING PIN	4		X X
4	R111434	CAP SCREW	10		X X M22 X 130
5	R192510	SLEEVE	1		X (B) (F)
	R192512	HALF SLEEVE	1		X X (C) (F)
6	R52006	WASHER	10		X X
7	R212195	WHEEL CENTER	1		X X
8	R51719	COMPRESSION SPRING	4		X X
9	R192509	HALF SLEEVE	1		X (B)
	R192511	HALF SLEEVE	1		X X (C)
10	RE222353	SLEEVE	1		X X (B) (SUB RE251590)
	RE222352	SLEEVE	1		X X (C) (SUB RE251589)
11	R212196	HUB	1		X X
12	AT25226	TIRE VALVE STEM	1		X X
	AH86866	PLUG	1		X X
13	R182940	CAP SCREW	2		X X
14	RE171073	RIM	1		X X (A) (E) (800/70R38)
	RE176460	WHEEL	1		X X (A) (D) (620/70R42)(650/65R42)
	RE175489	WHEEL	1		X X (A) (E) (900/50R42)
	RE175484	WHEEL	1		X X (A) (D) (520/85R42)(20.8R42)
	RE175533	WHEEL	1		X X (A) (D) (480/80R46)(18.4R46)(520/85R46)
	RE174387	WHEEL	1		X X (A) (D) (620/70R46)
	RE172186	WHEEL	1		X X (A) (D) (380/90R50)
	RE164038	WHEEL	1		X X (A) (D) (480/80R50)
	RE172896	WHEEL	1		X X (A) (G) (380/90R50)
	RE161991	WHEEL	1		X X (A) (D) (320/90R54)
	RE175488	RIM	1		X X (A) (D) (H) (710/70R42)
	RE224262	WHEEL	1		X X (A) (D) (I) (710/70R42)
	RE174770	WHEEL	1		X X (A) (D) (H) (650/75R38)(710/70R38)(650/85R38)
	RE166180	WHEEL	1		X X (A) (D) (I) (650/75R38)(710/70R38)(650/85R38)

(A) FOR TIRE SIZE  
 POUR PNEUMATIQUES  
 FUER BEREIFUNG  
 PER PNEUMATICI  
 PARA NEUMATICOS  
 FOR DACKSDIMENSION

(B) 110 MM AXLE  
 110 MM ESSIEU  
 110 MM ACHSE  
 110 MM ASSALE  
 110 MM EJE  
 110 MM AXEL

(C) 120 MM AXLE  
 120 MM ESSIEU  
 120 MM ACHSE  
 120 MM ASSALE  
 120 MM EJE  
 120 MM AXEL

(D) 76.2 MM FLANGE OFFSET  
 76.2 MM REGLAGE DE BRIDE  
 76.2 MM GEKROPFTER FLANS  
 76.2 MM COMPENSACION DE BRIDA  
 76.2 MM DISASSAMENTO FLANGIA  
 76.2 MM JUSTERINGSAVSTAND FLANS

(E) 0 MM FLANGE OFFSET  
 0 MM REGLAGE DE BRIDE  
 0 MM GEKROPFTER FLANS  
 0 MM COMPENSACION DE BRIDA  
 0 MM DISASSAMENTO FLANGIA  
 0 MM JUSTERINGSAVSTAND FLANS

(F) KEY HALF  
 CLAVETTE  
 KEILHALFTE  
 ROTEN DE LLAVE  
 CHIAVETTA  
 KONSPRINT

(G) 174.8 FLANGE OFFSET  
 174.8 MM REGLAGE DE BRIDE  
 174.8 MM GEKROPFTER FLANS  
 174.8 MM COMPENSACION DE BRIDA  
 174.8 MM DISASSAMENTO FLANGIA  
 174.8 MM JUSTERINGSAVSTAND FLANS

(H) REGION 1 EXCEPT AUSTRALIA  
 REGION 1 SAUF AUSTRALIE  
 REGION 1 AUSSER AUSTRALIEN  
 REGIONE 1 TRANNE L'AUSTRALIA  
 REGION 1 EXCEPTO AUSTRALIA  
 REGION 1 UTOM AUSTRALIEN

(I) REGION 2 AND AUSTRALIA  
 REGION 2 ET AUSTRALIE  
 REGION 2 UND AUSTRALIEN  
 REGIONE 2 ED L'AUSTRALIA  
 REGION 2 Y AUSTRALIA  
 REGION 2 OCH AUSTRALIEN

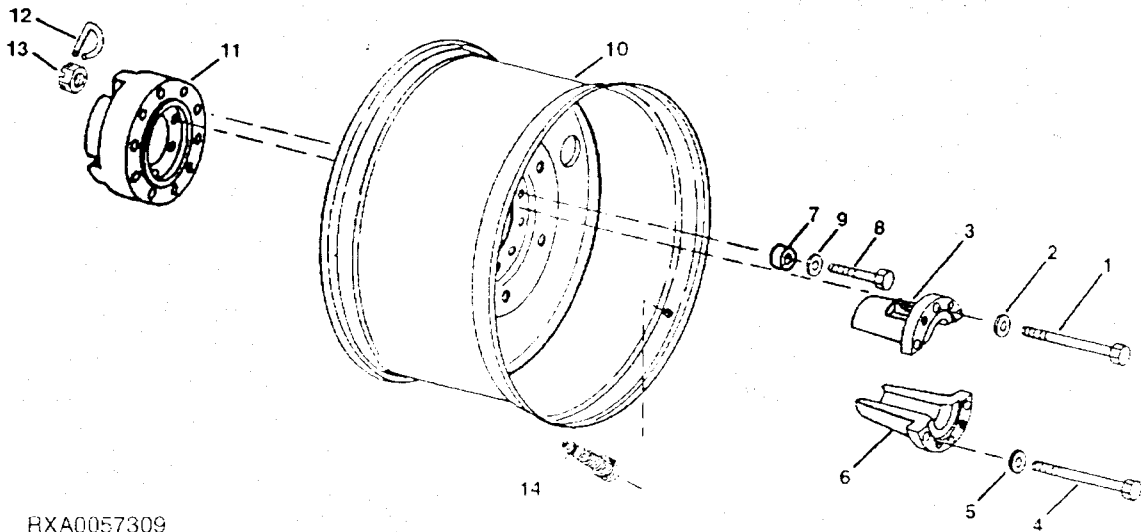


# 80-30

WHEELS, FRONT AXLES AND SHEET METAL

STEEL DISK REAR WHEELS (10-BOLT HUB)  
ROUES ARRIERE ACIER (ROUE A 10 BOULONS UNIQUEMENT)  
STAHL-HINTERRAEDER (NUR FUER 10-SCHRAUBEN-NABE)  
RUOTE POSTERIORI ACCIAIO (10-BULLONE A COLONNETTA SOLTANTO)  
RUEDAS TRASERAS CON DISCO DE ACERO (CUBO DE 10 BULONES SOLAMENTE)  
BAKHJUL MED STALDISK (ENDAST NAV MED 10 BULTAR)

RXA0057309 -UN-10OCT01



RXA0057309

THIS PARTS LISTING IS CONTINUED

KEY	PART NO.	PART NAME	QTY.	TRACTOR SERIAL NO.	REMARKS
				8 8 8	
				1 2 3	
				3 3 3	
				0 0 0	
1	R111434	CAP SCREW	2		X X X M22 X 130
2	R52006	WASHER	2		X X X
3	R124249	SLEEVE	1		X (F)
	R126587	SLEEVE	1		X X X (G)
4	R109823	CAP SCREW	4		X X X M22 X 171
5	R99437	WASHER	4		X X X
6	R111103	SLEEVE	1		X (A) (D)
	R111104	HALF SLEEVE	1		X X X (A) (E)
7	R113692	SPACER	10		X X X (B) (C) (G) (20.8R42) (520/85R42)
	R113692	SPACER	10		X X X (B) (F) (650/65R34)
	R113692	SPACER	10		X X X (B) (G) (620/70R42) (710/70R38)
8	R131667	CAP SCREW	10		X X X (B) (G) M22 X 70, (20.8R38) (20.8R42) (520/85R38) (18.4R46) (18.4R42) (18.4R42) (18.4R42) (18.4R46) (480/80R46)
	R111437	CAP SCREW	10		X X X (B) (G) (620/70R42) (710/70R38)
	R111437	CAP SCREW	10		X X X (B) (C) (G) M22 X 100, (20.8R42) (520/85R42)
9	R52006	WASHER	10		X X X
10	RE191206	WHEEL	1		X X X (B) (G) (710/70R42)
	RE173099	WHEEL	1		X X X (B) (F) (480/80R50)
	RE191201	WHEEL	1		X X X (B) (710/70R38)
	RE172939	WHEEL	1		X X X (B) (E) (F) (380/90R50)
	RE211628	WHEEL	1		X X X (B) (20.8R38)
	RE191202	WHEEL	1		X X X (B) (900/70R38)
	RE211631	WHEEL	1		X X X (B) (20.8R42)
	RE191205	WHEEL	1		X X X (B) (620/70R42) (650/65R42)
	RE214650	WHEEL	1		X X X (B) (18.4R46) (480/80R46)
	RE167955	WHEEL	1		X X X (B) (520/85R46)
	RE174388	WHEEL	1		X X X (B) (620/70R46)
	RE164039	WHEEL	1		X X X (B) (480/80R50)
	RE191207	WHEEL	1		X X X (B) (900/50R42)
	RE174632	WHEEL	1		X X X (B) (320/80R42)
	RE223670	WHEEL	1		X X X (B) (380/90R54)
11	R127282	HUB	1		X X X (20.8R38) (18.4R42) (20.8R42) (18.4R42) (520/85R34) (710/70R38)
12	R125475	PIN	2		X X X
13	R111010	NUT	2		X X X
14	AT25226	TIRE VALVE STEM	1		X X X

(A) KEY HALF  
CLAVETTE  
KEILHALFTE  
ROTEN DE LLOVE  
CHIAVETTA  
KONSPRINT

(B) FOR TIRE SIZE  
POUR PNEUMATIQUES  
FUER BEREIFUNG  
PER PNEUMATICA  
PARA NEUMATICOS  
FOR DACKSDIMENSION

(C) HEAVY-DUTY  
POUR SERVICE SEVERE  
SCHWERE AUSFUEHRUNG  
PER SERVIZIO PESANTE  
SERVICIO SEVERO  
EXTRA KRAFTIGA

(D) 100 MM AXLE  
100 MM ESSIEU  
100 MM ACHSE  
100 MM ASSALE  
100 MM EJE  
100 MM AXEL

(E) 110 MM AXLE  
110 MM ESSIEU  
110 MM ACHSE  
110 MM ASSALE  
110 MM EJE  
110 MM AXEL

(F) DRIVE POSITION  
POSITION D'ENTRAINEMENT  
FAHRSTELLUNG  
POSIZIONE A RUOTE SINGOLE  
POSICION DE IMPULSION  
DR. EINSTAELLUNG

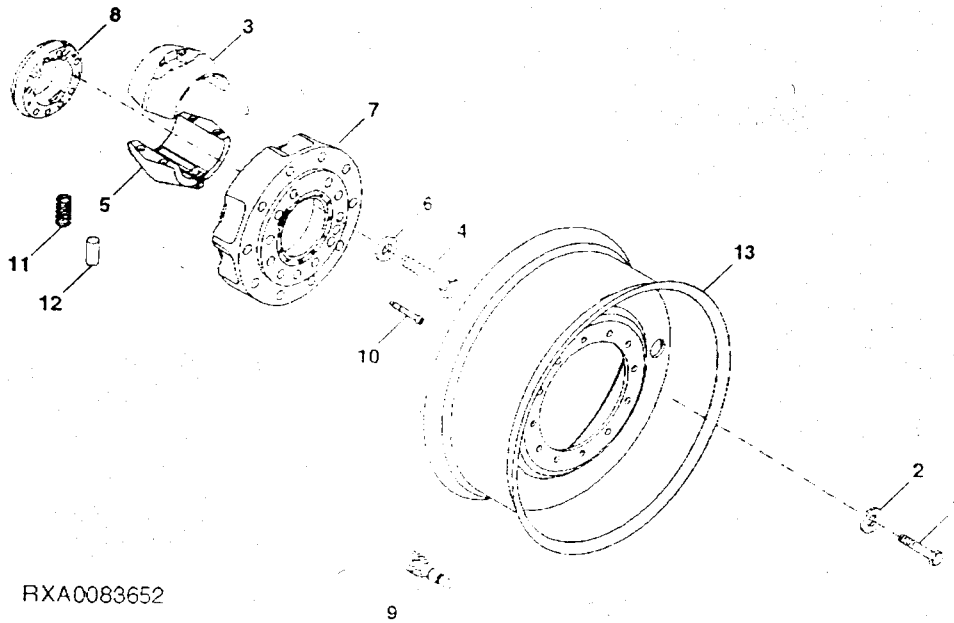
(G) DUAL POSITION  
POSITION DOUBLE  
DOPPELSTELLUNG  
POSIZIONE A RUOTE GEMELLATE  
POSICION DOBLE  
DUBBELINSTAELLNING

# 80-32

WHEELS, FRONT AXLES AND SHEET METAL

STEEL DISK REAR WHEELS (10-BOLT HUB) (HEAVY DUTY)  
ROUES ARRIERE ACIER (ROUE A 10 BOULONS UNIQUEMENT) (POUR SERVICE SEVERE)  
STAHL-HINTERRAEDER (NUR FUER 10-SCHRAUBEN-NABE) (SCHWERE AUSFUEHRUNG)  
RUOTE POSTERIORI ACCIAIO (10-BULLONE A COLONNETTA SOLTANTO) (PER SERVIZIO PESANTE)  
RUEDAS TRASERAS CON DISCO DE ACERO (CUBO DE 10 BULONES SOLAMENTE) (SERVICIO SEVERO)  
BAKHJUL MED STALDISK (ENDAST NAV MED 10 BULTAR) (EXTRA KRAFTIG)

RXA0083652 -UN-26AUG05



RXA0083652

KEY	PART NO.	PART NAME	QTY.	TRACTOR SERIAL NO.	8 8 8	REMARKS
					1 2 3	
				3 3 3		
				0 0 0		
1	R111437	CAP SCREW	10		X X X	
2	R52006	WASHER	10		X X X	
3	R192509	HALF SLEEVE	1		X X X (C)	
	R192511	SLEEVE	1		X X X (D)	
4	R111434	CAP SCREW	10		X X X	M22 X 130
5	R192510	HALF SLEEVE	1		X X X (A) (C)	
	R192512	HALF SLEEVE	1		X X X (A) (D)	
6	R52006	WASHER	10		X X X	
7	R192506	HUB	1		X X X	
8	R212196	HUB	1		X X X	
9	AT25226	TIRE VALVE STEM	1		X X X	
10	R182940	CAP SCREW	2		X X X	
11	R51719	COMPRESSION SPRING	4		X X X	(20.8R38) (18.4R42) (20.8R42) (18.4R46) (650/65R34) (710/70R38)
12	34M7275	SPRING PIN	4		X X X	
13	RE191201	WHEEL	1		X X X (B) (E)	(710/70R38)
	RE211631	WHEEL	1		X X X (B) (E)	(20.8R42) (520/85R42)
	RE191205	WHEEL	1		X X X (B) (E)	(620/70R42) (65065R42)
	RE214650	WHEEL	1		X X X (B) (E)	(18.4R46) (480/80R46)
	RE172939	WHEEL	1		X X X (B) (E) (F)	(380/90R50)
	RE211628	WHEEL	1		X X X (B) (E)	(20.8R38)
	RE211631	WHEEL	1		X X X (B) (E)	(20.8R42)

(A) KEY HALF  
CLAVETTE  
KEILHALFTE  
ROTEN DE LLOVE  
CHIAVETTA  
KONSPRINT

(B) FOR TIRE SIZE  
POUR PNEUMATIQUES  
FUER BEREIFUNG  
PER PNEUMATICIA  
PARA NEUMATICOS  
FOR DACKSDIMENSION

(C) 110 MM AXLE  
110 MM ESSIEU  
110 MM ACHSE  
110 MM ASSALE  
110 MM EJE  
110 MM AXEL

(D) 120 MM AXLE  
120 MM ESSIEU  
120 MM ACHSE  
120 MM ASSALE  
100 MM EJE  
120 MM AXEL

(E) DUAL POSITION  
POSITION DOUBLE  
DOPPELSTELLUNG  
POSIZIONE A RUOTE GEMELLATE  
POSICION DOBLE  
DUBBELINSTAELLNING

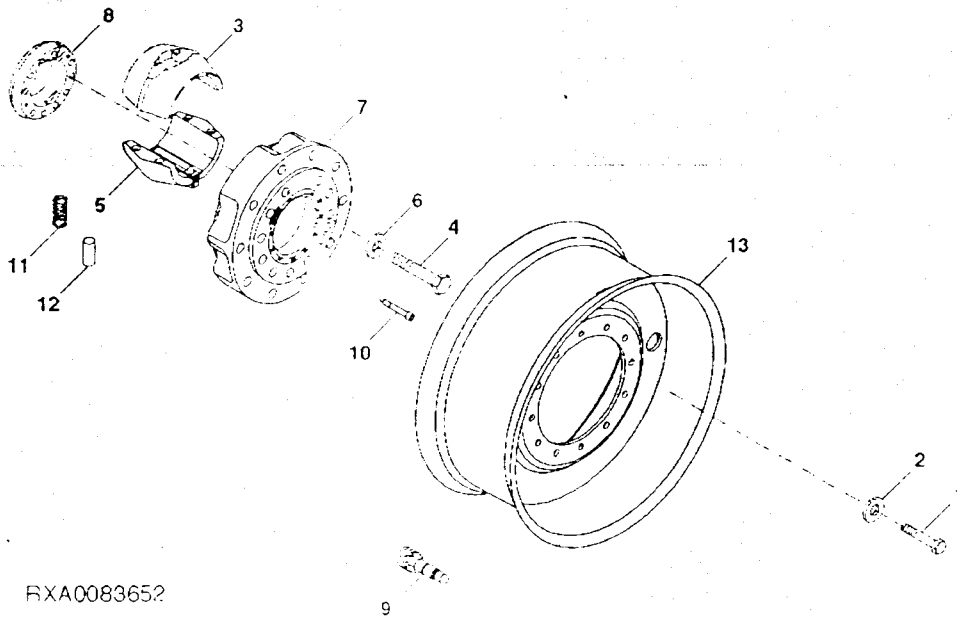
(F) TRIPLE WHEEL OPTION  
OPTION A TROIS ROUES  
AUSSTATTUNG MIT DREIFACHBEREIFUNG  
OPZIONE PER RUOTE TRIPLE  
OPCION DE RUEDAS TRIPLES  
HJUL-ALTERNATIV

# 80-34

WHEELS, FRONT AXLES AND SHEET METAL

STEEL DISK REAR WHEELS (10-BOLT HUB)  
ROUES ARRIERE ACIER (ROUE A 10 BOULONS UNIQUEMENT)  
STAHL-HINTERRAEDER (NUR FUER 10-SCHRAUBEN-NABE)  
RUOTE POSTERIORI ACCIAIO (10-BULLONE A COLONNETTA SOLTANTO)  
RUEDAS TRASERAS CON DISCO DE ACERO (CUBO DE 10 BULONES SOLAMENTE)  
BAKHJUL MED STALDISK (ENDAST NAV MED 10 BULTAR)

RXA0083652 -UN-26AUG05



RXA0083652

THIS PARTS LISTING IS CONTINUED

# 80-35

WHEELS, FRONT AXLES AND SHEET METAL

8 8  
4 5  
3 3  
0 0

KEY	PART NO.	PART NAME	QTY.	TRACTOR SERIAL NO.	REMARKS
1	R111437	CAP SCREW	10		X X
2	R52006	WASHER	10		X X
3	R192509	HALF SLEEVE	1		X (C)
	R192511	SLEEVE	1		X X (D)
4	R111434	CAP SCREW	10		X X M22 X 130
5	R192510	HALF SLEEVE	1		X (A) (C)
	R192512	HALF SLEEVE	1		X X (A) (D)
6	R52006	WASHER	10		X X
7	R192506	HUB	1		X X
8	R212196	HUB	1		X X
9	AT25226	TIRE VALVE STEM	1		X X
10	R182940	CAP SCREW	2		X X
11	R51719	COMPRESSION SPRING	4		X X (20.8R38) (18.4R42) (20.8R42) (18.4R46) (650.65R34) (710.70R38)
12	34M7275	SPRING PIN	4		X X
13	RE191201	WHEEL	1		X X (B) (E) (710.70R38)
	RE191202	WHEEL	1		X X (B) (E) (800.70R38)
	RE211631	WHEEL	1		X X (B) (E) (20.8R42) (520/85R42)
	RE191205	WHEEL	1		X X (B) (E) (620.70R42) (650.65R42)
	RE214650	WHEEL	1		X X (B) (E) (18.4R46) (480/80R46)
	RE191206	WHEEL	1		X X (B) (E) (710.70R42)
	RE167955	WHEEL	1		X X (B) (E) (520.85R46)
	RE174388	WHEEL	1		X X (B) (E) (620.70R46)
	RE167955	WHEEL	1		X X (B) (F) (18.4R46) (480/80R46)
	RE164039	WHEEL	1		X X (B) (E) (480.80R50)
	RE173099	WHEEL	1		X X (B) (F) (480.80R50)
	RE172939	WHEEL	1		X X (B) (E) (F) (380/90R50)
	RE211631	WHEEL	1		X X (B) (E) (20.8R42)
	RE191207	WHEEL	1		X X (B) (900.50R42)
	RE174632	WHEEL	1		X X (B) (320.80R42)
	RE223670	WHEEL	1		X X (B) (380.90R54)

(A) KEY HALF  
CLAVETTE  
KEILHALFTE  
ROTEN DE LLOVE  
CHIAVETTA  
KONSPRINT

(B) FOR TIRE SIZE  
POUR PNEUMATIQUES  
FUER BEREIFUNG  
PER PNEUMATICIA  
PARA NEUMATICOS  
FOR DACKSDIMENSION

(C) 110 MM AXLE  
110 MM ESSIEU  
110 MM ACHSE  
110 MM ASSALE  
110 MM EJE  
110 MM AXEL

(D) 120 MM AXLE  
120 MM ESSIEU  
120 MM ACHSE  
120 MM ASSALE  
100 MM EJE  
120 MM AXEL

(E) DUAL POSITION  
POSITION DOUBLE  
DOPPELSTELLUNG  
POSIZIONE A RUOTE GEMELLATE  
POSICION DOBLE  
DUBBELINSTAELLNING

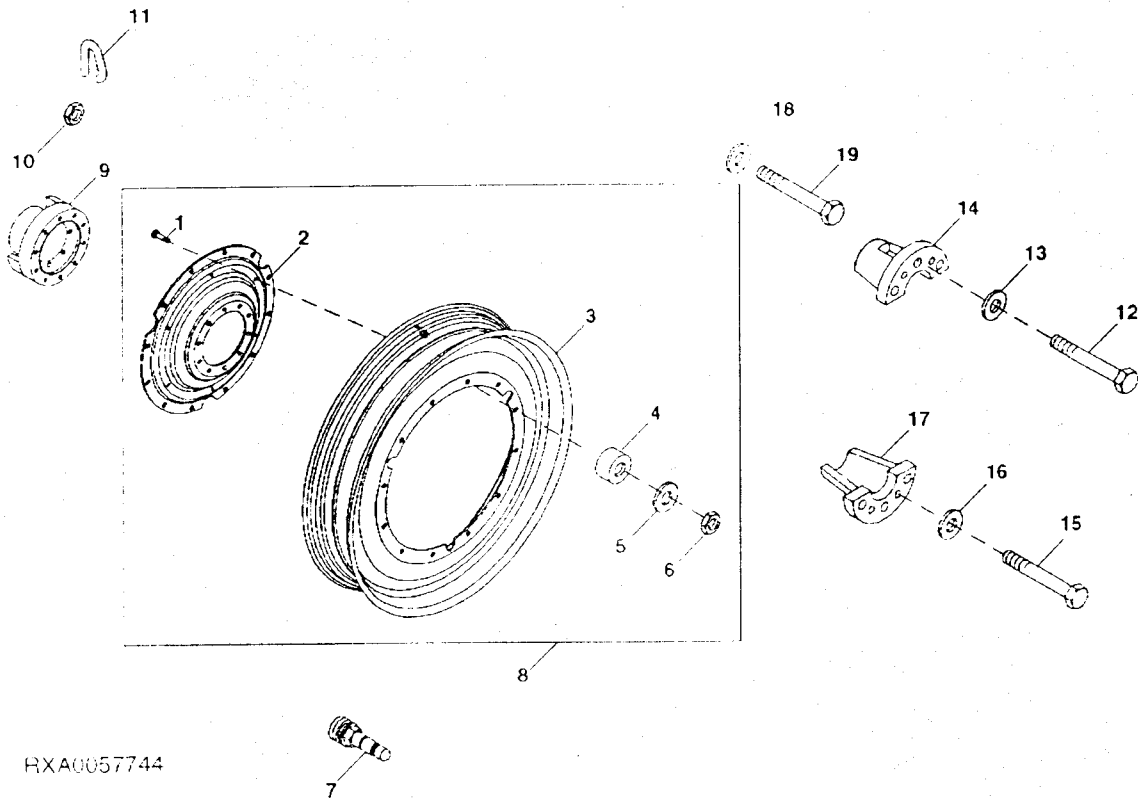
(F) TRIPLE WHEEL OPTION  
OPTION A TROIS ROUES  
AUSSTATTUNG MIT DREIFACHBEREIFUNG  
OPZIONE PER RUOTE TRIPLE  
OPCION DE RUEDAS TRIPLES  
HJU: -ALTERNATIV

# 80-36

WHEELS, FRONT AXLES AND SHEET METAL

MULTI-POSITION DUALS  
POSITION MULTIPLES (DOUBLES)  
MULTIPOSITION (DOPPEL RAEDERS)  
MULTIPOSIZIONE (DOPPIOS)  
MULTIPOSICION (DOBLES)  
MULTIPOSITION (DUBBLAS)

RXA0057744 -UN-26OCT01



RXA0057744

THIS PARTS LISTING IS CONTINUED

# 80-37

WHEELS, FRONT AXLES AND SHEET METAL

8 8 8  
1 2 3  
3 3 3  
0 0 0

KEY	PART NO.	PART NAME	QTY.	TRACTOR SERIAL NO.	REMARKS
1	R116570	BOLT	12		X X X M22 X 90, HS 10.9
2	R211625	WHEEL CENTER	1		X X X (38" 10 BOLT)
3	RE175532	WHEEL	1		X X X (A) (420/80R46)
	RE172185	WHEEL	1		X X X (A) (320/90R50)
	RE172186	WHEEL	1		X X X (A) (380/90R50)
	RE161991	RIM	1		X X X (A) (320/90R54)
	RE223670	WHEEL	1		X X X (A) (380/90R54)
4	R113692	SPACER	12		X X X 23 500 X 50 X 25.400 MM
5	R113500	WASHER	12		X X X 23 X 45 X 7.500 MM
6	R114125	NUT	12		X X X M22
7	AT25226	TIRE VALVE STEM	1		X X X
8	RE211640	WHEEL	1		X X X (A) (14.9R46) (420/80R46)
9	R127282	HUB	1		X X X
10	R111010	NUT	2		X X X
11	R125475	PIN	2		X X X
12	R111009	CAP SCREW	2		X X X M22 X 172
13	R52006	WASHER	2		X X X
14	R124249	SLEEVE	1		X (C)
	R126587	SLEEVE	1		X X X (D)
15	R109823	CAP SCREW	4		X X X M22 x 171
16	R99437	WASHER	4		X X X
17	R111103	SLEEVE	1		X (B) (C)
	R111104	SLEEVE	1		X X X (B) (D)
18	R52006	WASHER	10		X X X
19	R131667	CAP SCREW	10		X X X

(A) FOR TIRE SIZE  
POUR PNEUMATIQUES  
FUER BEREIFUNG  
PER PNEUMATICI  
PARA NEUMATICOS  
FOR DACKSDIMENSION

(B) KEY HALF  
CLAVETTE  
KEILHALFTE  
ROTEN DE LLAVE  
CHIAVETTA  
KONSPRINT

(C) 100 MM AXLE  
100 MM ESSIEU  
100 MM ACHSE  
100 MM ASSALE  
100 MM EJE  
100 MM AXEL

(D) 110 MM AXLE  
110 MM ESSIEU  
110 MM ACHSE  
110 MM ASSALE  
110 MM EJE  
110 MM AXEL

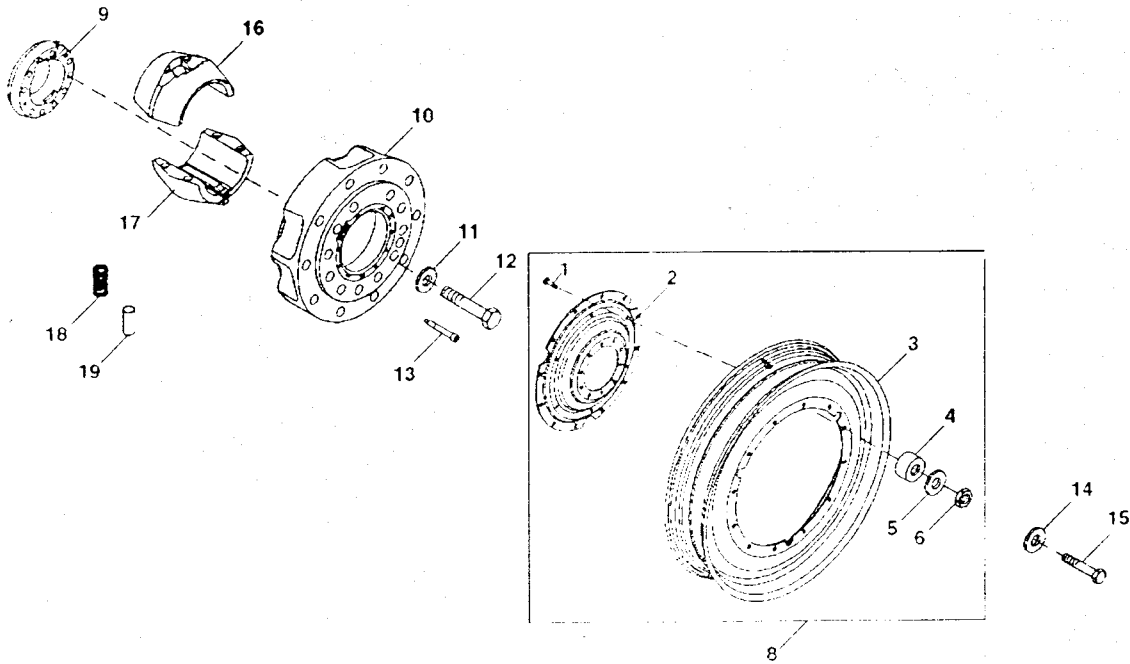


# 80-38

WHEELS, FRONT AXLES AND SHEET METAL

ULTI-POSITION DUALS (HEAVY DUTY)  
POSITION MULTIPLES (DOUBLES) (POUR SERVICE SEVERE)  
ULTIPOSITION (DOPPEL RAEDERS) (SCHWERE AUSFUEHRUNG)  
ULTIPOSIZIONE (DOPPIOS) (PER SERVIZIO PESANTE)  
ULTIPOSICION (DOBLES) (SERVIZIO PESANTE)  
ULTIPOSITION (DUBBLAS) (EXTRA KRAFTIG)

A0057743 UN-19OCT01



RXA0057743

7

THIS PARTS LISTING IS CONTINUED

KEY	PART NO.	PART NAME	QTY.	TRACTOR SERIAL NO	REMARKS
				8 8 8	
				1 2 3	
				3 3 3	
				0 0 0	
1	R116570	BOLT	12	X X X	M22 X 90, HS 10.9
2	R211625	WHEEL CENTER	1	X X X	(38" 10 BOLT)
3	RE175532	WHEEL	1	X X X	(A) (E) (420/80R46)
	RE172185	WHEEL	1	X X X	(A) (E) (320/90R50)
	RE172186	WHEEL	1	X X X	(A) (E) (380/90R50)
	RE161991	WHEEL	1	X X X	(A) (E) (320/90R54)
	RE211235	WHEEL	1	X X X	(A) (E) (380/90R54)
4	R113692	SPACER	12	X X X	23.500 X 50 X 25.400 MM
5	R113500	WASHER	12	X X X	23 X 45 X 7.500 MM
6	R114125	NUT	12	X X X	M22
7	AT25226	TIRE VALVE STEM	1	X X X	
8	RE211640	WHEEL	1	X X X	(A) (14.9R46) (420/80R46)
9	R212196	HUB	1	X X X	
10	R192506	HUB	1	X X X	
11	R52006	WASHER	10	X X X	
12	R111434	CAP SCREW	10	X X X	M22 X 130
13	R182940	CAP SCREW	2	X X X	
14	R52006	WASHER	10	X X X	
15	R111437	CAP SCREW	10	X X X	
16	R192509	HALF SLEEVE	1	X X X	(C)
	R192511	HALF SLEEVE	1	X X X	(D)
17	R192510	HALF SLEEVE	1	X X X	(B) (C)
	R192512	HALF SLEEVE	1	X X X	(B) (D)
18	R51719	COMPRESSION SPRING	4	X X X	
19	34M7275	SPRING PIN	4	X X X	

(A) FOR TIRE SIZE  
 POUR PNEUMATIQUES  
 FUER BEREIFUNG  
 PER PNEUMATICI  
 PARA NEUMATICOS  
 FOR DACKSDIMENSION

(B) KEY HALF  
 CLAVETTE  
 KEILHALFTE  
 ROTEN DE LLAVE  
 CHIAVETTA  
 KONSPRINT

(C) 110 MM AXLE  
 110 MM ESSIEU  
 110 MM ACHSE  
 110 MM ASSALE  
 110 MM EJE  
 110 MM AXEL

(D) 120 MM AXLE  
 120 MM ESSIEU  
 120 MM ACHSE  
 120 MM ASSALE  
 120 MM EJE  
 120 MM AXLE

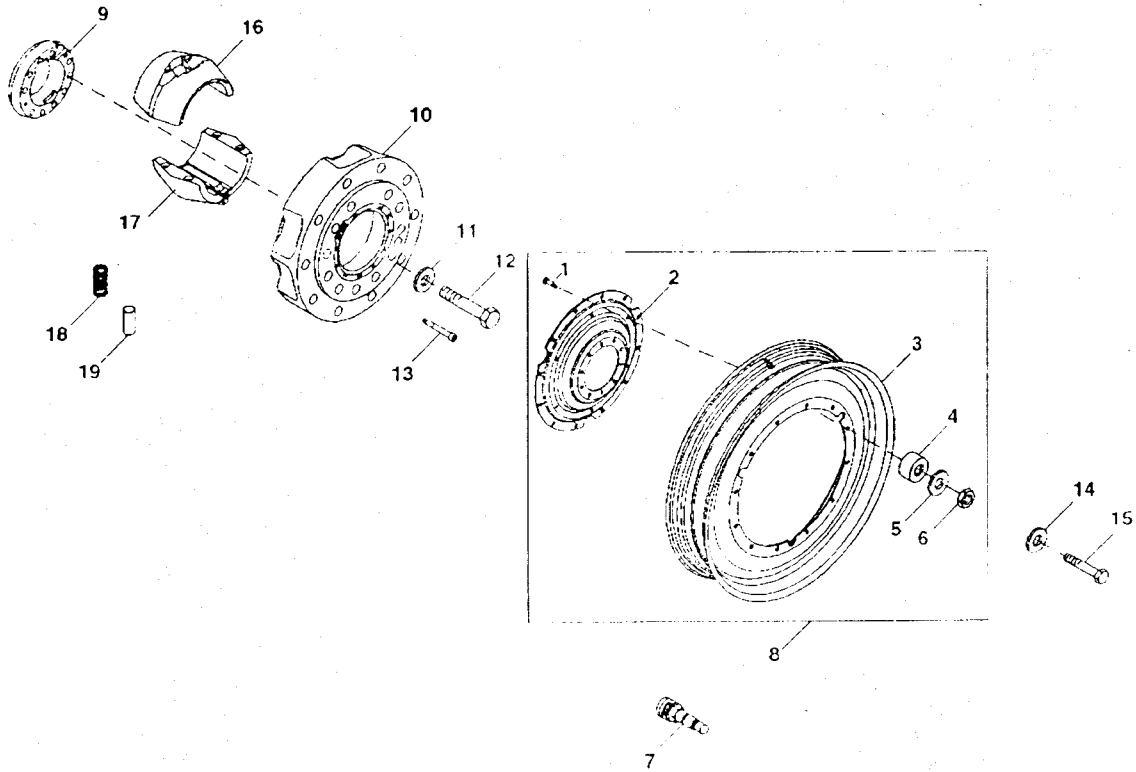
(E) DUAL POSITION  
 POSITION DOUBLE  
 DOPPELSTELLUNG  
 POSIZIONE A RUOTE GEMELLATE  
 POSICION DOBLE  
 DUBBELSINSTAELLNING

# 80-40

WHEELS, FRONT AXLES AND SHEET METAL

MULTI-POSITION DUALS (HEAVY DUTY)  
POSITION MULTIPLES (DOUBLES) (POUR SERVICE SEVERE)  
MULTIPOSITION (DOPPEL RAEDERS) (SCHWERE AUSFUEHRUNG)  
MULTIPOSIZIONE (DOPPIOS) (PER SERVIZIO PESANTE)  
MULTIPOSICION (DOBLES) (SERVICIO SEVERO)  
MULTIPOSITION (DUBBLAS) (EXTRA KRAFTIG)

RXA0057743 -UN-19OCT01



RXA0057743

THIS PARTS LISTING IS CONTINUED

# 80-41

## WHEELS, FRONT AXLES AND SHEET METAL

KEY	PART NO.	PART NAME	QTY.	TRACTOR SERIAL NO.	8 4 3 0	REMARKS
1	R116570	BOLT	12		X X	M22 X 90, HS 10.9
2	R211625	WHEEL CENTER	1		X X	(38" 10 BOLT)
3	RE172186	WHEEL	1		X X	(A) (E) (380/90R50)
	RE161991	RIM	1		X X	(A) (E) (320/90R54)
	RE211235	WHEEL	1		X X	(A) (E) (380/90R54)
4	R113692	SPACER	12		X X	23.500 X 50 X 25.400 MM
5	R113500	WASHER	12		X X	23 X 45 X 7.500 MM
6	R114125	NUT	12		X X	M22
7	AT25226	TIRE VALVE STEM	1		X X	
8	RE211640	WHEEL	1		X X	(A) (14.9R46) (420/80R46)
9	R212196	HUB	1		X X	
10	R192506	HUB	1		X X	
11	R52006	WASHER	10		X X	
12	R111434	CAP SCREW	10		X X	M22 X 130
13	R182940	CAP SCREW	2		X X	
14	R52006	WASHER	10		X X	
15	R111437	CAP SCREW	10		X X	
16	R192509	HALF SLEEVE	1		X	(C)
	R192511	HALF SLEEVE	1		X X	(D)
17	R192510	HALF SLEEVE	1		X	(B) (C)
	R192512	HALF SLEEVE	1		X X	(B) (D)
18	R51719	COMPRESSION SPRING	4		X X	
19	34M7275	SPRING PIN	4		X X	

(A) FOR TIRE SIZE  
 POUR PNEUMATIQUES  
 FUER BEREIFUNG  
 PER PNEUMATICI  
 PARA NEUMATICOS  
 FOR DACKSDIMENSION

(B) KEY HALF  
 CLAVETTE  
 KEILHALFTE  
 ROTEN DE LLAVE  
 CHIAVETTA  
 KONSPRINT

(C) 110 MM AXLE  
 110 MM ESSIEU  
 110 MM ACHSE  
 110 MM ASSALE  
 110 MM EJE  
 110 MM AXLE

(D) 120 MM AXLE  
 120 MM ESSIEU  
 120 MM ACHSE  
 120 MM ASSALE  
 120 MM EJE  
 120 MM AXLE

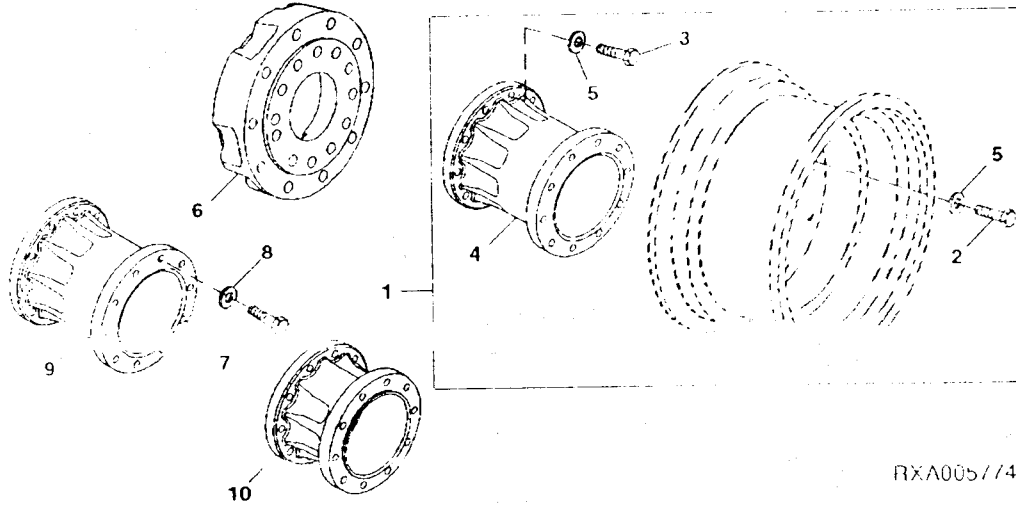
(E) DUAL POSITION  
 POSITION DOUBLE  
 DOPPELSTELLUNG  
 POSIZIONE A RUOTE GEMELLATE  
 POSICION DOBLE  
 DUBBELSINSTAELLNING

# 80-42

WHEELS, FRONT AXLES AND SHEET METAL

HUB EXTENSION KITS  
 LONGE DE MOYEU DOUBLE  
 ENVERLAENGERUNG FUER DOPPELRAEDER  
 ESTENSIONE PER DOPPO MOZZO  
 EXTENSION DE CUBO DOBLE  
 FOERLAENGARE FOER DUBBLA HJUL

57745 UN-19OCT01



RXA0057/45

PART NO	PART NAME	QTY	TRACTOR SERIAL NO	A L L	REMARKS
AR194744	EXTENSION	1		X	5", (FI) KIT
AR190666	EXTENSION	1		X	10", (FI) KIT
AR190668	EXTENSION	1		X	13", (FI) KIT
AR190669	EXTENSION	1		X	15", (FI) KIT
R131667	CAP SCREW	10		X	HS 8-8
R111434	CAP SCREW	10		X	HS 10-9
R177413	EXTENSION	1		X	5"
R193201	EXTENSION	1		X	10"
R177410	EXTENSION	1		X	13"
R193200	EXTENSION	1		X	15"
R52006	WASHER	20		X	
R192506	HUB	1		X	
R111434	CAP SCREW	10		X	HS 10-9
R52006	WASHER	10		X	
R193200	HUB	1		X	(A) (480) (18 4)
R193201	HUB	1		X	(B) (190) (18 4)

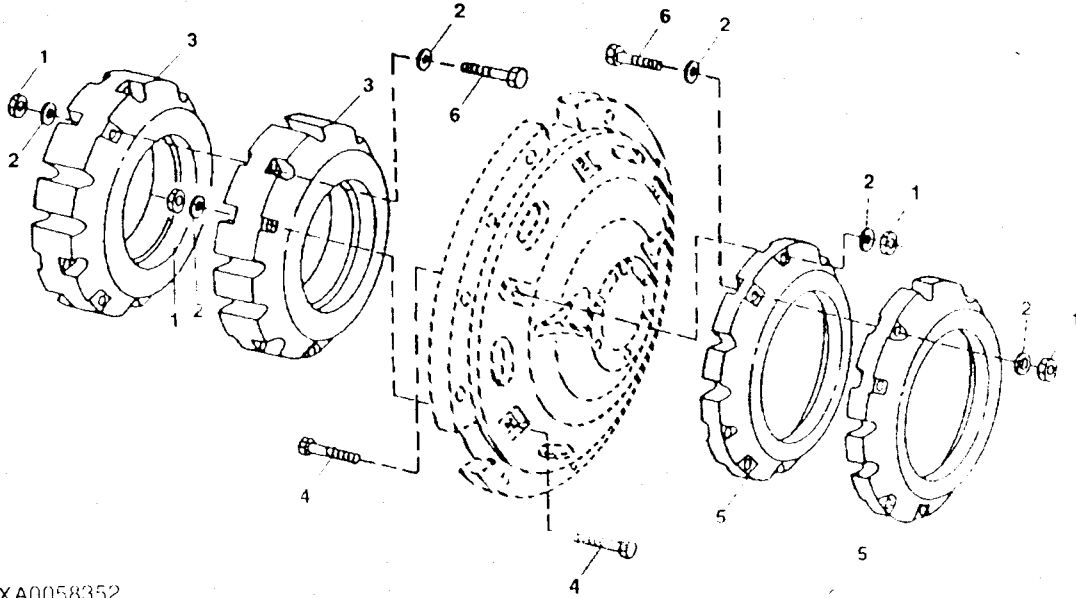
TRIPLE WHEEL OPTION  
 A TROIS ROUES  
 ERSTATTUNG MIT DREIFACHBEREIFUNG  
 TRIONE PER RUOTE TRIPLE  
 OJON DE RUEDAS TRIPLES  
 EDUBBLA HJUL-ALTERNATIV

(B) FOR TIRE SIZE  
 POUR PNEUMATIQUES  
 FUER BEREIFUNG  
 PER PNEUMATIC  
 PARA NEUMATIC  
 FOR DACKSDIMENSION

**WEIGHTS FOR CAST AND HEAVY CAST REAR WHEELS**  
**MASSELOTES D'EQUILIRAGE POUR ROUES ARRIERES EN ALLIAGE ET ALLIAGE RENFORCE**  
**GEWICHTE FUER GUSSEISEN-RAEDER IN NORMALER UND SCHWERER AUSFUEHRUNG**  
**PESI PER RUOTE POSTERIORI IN METALLO FUSO E METALLO FUSO PESANTE**  
**PESA PARA RUEDAS POSTERIORES DE FUNDICION Y FUNDICION PESADA**  
**VIKTER TILL GJUTNA OCH TUNGA, GJUTNA BAKHJUL**

RXA0058352

-UN-08NOV01



RXA0058352

KEY	PART NO.	PART NAME	QTY.	TRACTOR SERIAL NO	A L L	REMARKS
1	14M7277	NUT	3		X (A) M20	
	14M7276	NUT	2		X (B) M16	
2	24M7242	WASHER	3		X (A) 21,400 X 42 X 5 MM	
	24M7241	WASHER	6		X (B) 17 X 34 X 4 MM	
3	R207782	WEIGHT	AR		X (C) 205 KG (452 LBS)	
4	R210763	CAP SCREW	3		X (A) HS 10.9	
	R210960	CAP SCREW	3		X (B) HS 10.9	
5	R167153	WEIGHT	AR		X (C) 72 KG (159 LBS)	
6	19M8503	CAP SCREW	3		X (A) M20 X 160, HS 10.9	
	19M8019	CAP SCREW	3		X (B) M16 X 160, X 2	

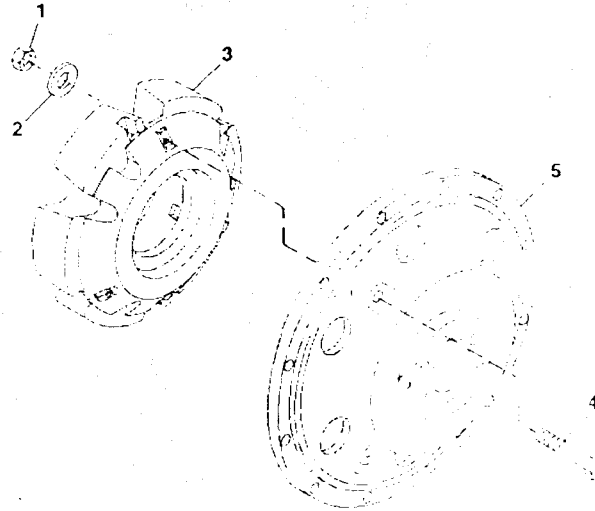
(A) 10 BOLT WHEEL  
 ROUE A 10 BOULONS  
 RAD MIT 10 BOLZEN  
 RUOTA A 10 BULLONI  
 FUEDA DE 10 PERNOS  
 HJUL MED 10 BULTAR

(B) 5 BOLT WHEEL  
 ROUE A 5 BOULONS  
 RAD MIT 5 BOLZEN  
 RUOTA A 5 BULLONI  
 FUEDA DE 5 PERNOS  
 HJUL MED 5 BULTAR

(C) ORDER THROUGH WATERLOO TRACTOR WEIGHT PROGRAM  
 COMMANDER PAR L'INTERMEDIAIRE DU PROGRAMME DE POIDS DE TRACTEUR DE WATERLOO  
 UEBER WATERLOO-TRAKTORBALASTPROGRAMM BESTELLEN  
 ORDINARE TRAMITE IL PROGRAMMA DI PESI DEI TRATTORI WATERLOO  
 PEDIR A TRAVES DEL PROGRAMA DE PESOS DE TRACTOR DE WATERLOO  
 BESTAELL GENOM WATERLOOS TRAKTORVIKTSPROGRAM

**WEIGHTS FOR CAST WHEELS**  
**MASSES D'ALOURDISSEMENT POUR ROUES EN FONTE**  
**GEWICHTE FUER GUSSRAEDER**  
**PESI PER RUOTE IN GHISA**  
**PESOS PARA RUEDAS FUNDIDAS**  
**VIKTER FOER GJUTNA HJUL**

RXA0059189 -UN-11JAN02



RXA0059189

KEY	PART NO	PART NAME	QTY.	TRACTOR SERIAL NO.	A L L	REMARKS
1	14M7277	NUT	3		X (A) M20	
	14M7276	NUT	3		X (B) M16	
2	24M7242	WASHER	3		X (A) 21.400 X .42 X 5 MM	
	24M7241	WASHER	3		X (B) 17 X 34 X 4 MM	
3	R167151	WEIGHT	1		X (C) 645 KG (1422 LBS)	
4	R210763	BOLT	3		X (A) HS 10.9	
	R210960	BOLT	3		X (B) HS 10.9	
5	.....	HUB	1		X (A)	
	.....	HUB	1		X (B)	

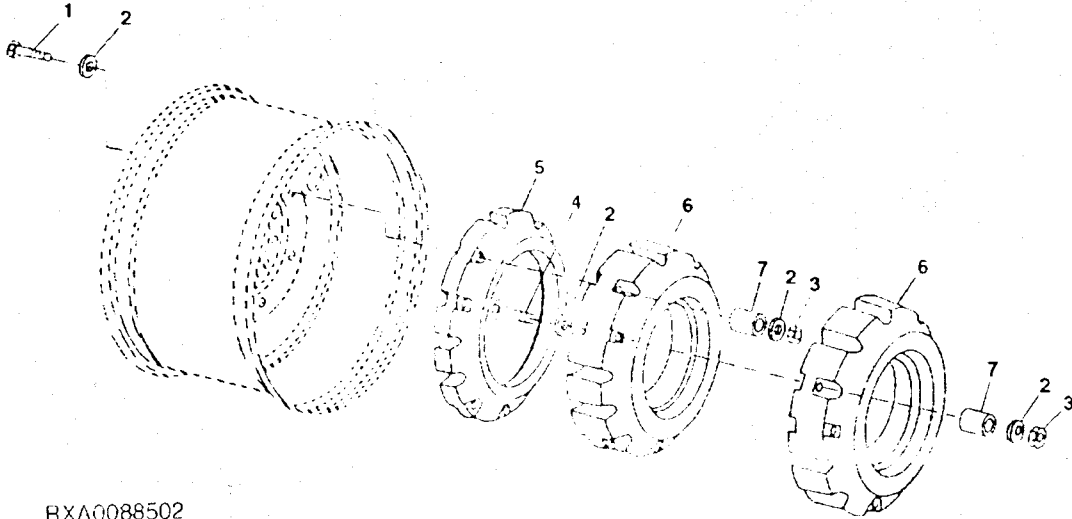
(A) 10 BOLT WHEEL  
 ROUE A 10 BOULONS  
 RAD MIT 10 BOLZEN  
 RUOTA A 10 BULLONI  
 FUEDA DE 10 PERNOS  
 HJUL MED 10 BULTAR

(B) 5 BOLT WHEEL  
 ROUE A 5 BOULONS  
 RAD MIT 5 BOLZEN  
 RUOTA A 5 BULLONI  
 FUEDA DE 5 PERNOS  
 HJUL MED 5 BULTAR

(C) ORDER THROUGH WATERLOO TRACTOR WEIGHT PROGRAM  
 COMMANDER PAR L'INTERMEDIAIRE DU PROGRAMME DE POIDS DE TRACTEUR DE WATERLOO  
 UEBER WATERLOO-TRAKTORBALLASTPROGRAMM BESTELLEN  
 ORDINARE TRAMITE IL PROGRAMMA DI PESO DEI TRATTORI WATERLOO  
 PEDIR A TRAVES DEL PROGRAMA DE PESOS DE TRACTOR DE WATERLOO  
 BESTAELL GENOM WATERLOOS TRAKTORVIKTSPROGRAM

WEIGHTS FOR STEEL DISK WHEELS  
 MASSES D'ALOURDISSEMENT POUR ROUES A DISQUE ACIER  
 GEWICHTE FUER STAHLSCHEIBEN-RAEDER  
 PESI PER RUOTE A DISCHI D'ACCIAIO  
 PESOS PARA RUEDAS DISCO ACERO  
 VIKTER FOER HJUL MED STAALSKIVOR

RXA0088502 -UN-



RXA0088502

KEY	PART NO.	PART NAME	QTY.	TRACTOR SERIAL NO	A L L	REMARKS
1	R170746	CAP SCREW	AR		X	M20 X 180, HS 10.9
2	24M7242	WASHER	AP		X	21.400 X 42 X 5 MM
3	14M7277	NUT	AR		X	M20
4	19M8503	CAP SCREW	AR		X	M20 X 160, HS 10.9
5	R167153	WEIGHT	AR		X	(A) 72 KG (159 LBS)
6	R207782	WEIGHT	AR		X	(A) 205 KG (452 LBS)
7	28H3455	SPACER	AR		X	

(A) ORDER THROUGH WATERLOO TRACTOR WEIGHT PROGRAM  
 COMMANDER PAR L'INTERMEDIAIRE DU PROGRAMME DE POIDS DE TRACTEUR DE WATERLOO  
 UEBER WATERLOO-TRAKTORBALLASTPROGRAMM BESTELLEN  
 ORDINARE TRAMITE IL PROGRAMMA DI PESO DEI TRATTORI WATERLOO  
 PEDIR A TRAVES DEL PROGRAMA DE PESOS DE TRACTOR DE WATERLOO  
 BESTAFLL GENOM WATERLOOS TRAKTORVIKTSPROGRAM

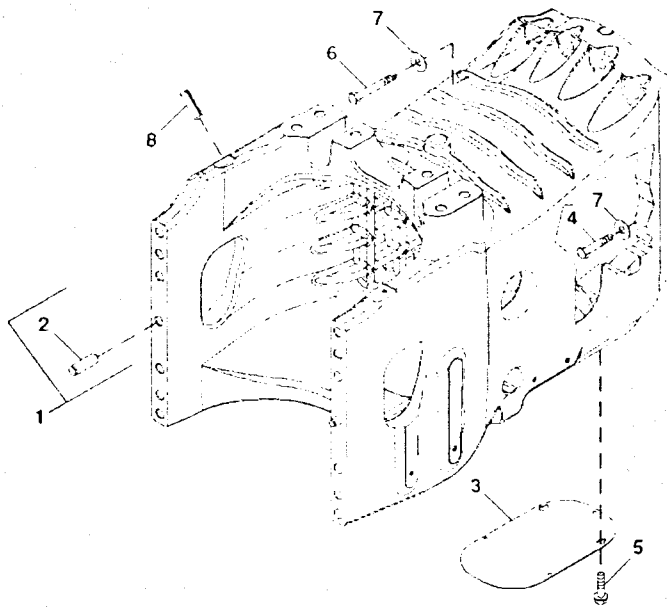


# 80-46

WHEELS, FRONT AXLES AND SHEET METAL

MIDFRAME ASSEMBLY (PST)  
 ENSEMBLE DE CHASSIS CENTRAL (PST)  
 MITTELRAHMEN-EINHEIT (PST)  
 COMPLESSO A META' TELAIO (PST)  
 CONJUNTO DEL BASTIDOR CENTRAL (PST)  
 MITTENRAMENHET (PST)

RXA0077663 UN-04OCT04

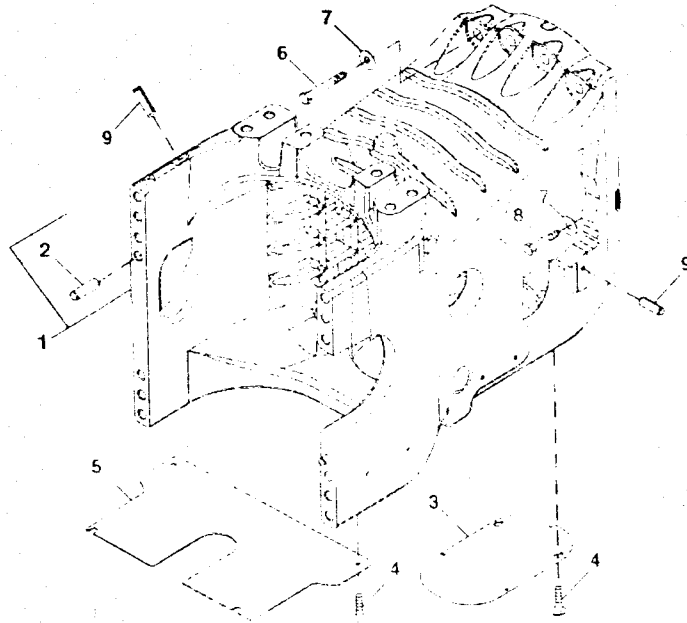


RXA0077663

KEY	PART NO.	PART NAME	QTY.	TRACTOR SERIAL NO.	A L L	REMARKS
1	RE246256	CENTER FRAME	1		X	(INCLUDES (2) 34M7061)
2	R54380	DOWEL PIN	4		X	
3	R218331	COVER	1		X	
4	19M9140	CAP SCREW	12		X	M20 X 140 HS 10.9
5	19M7784	SCREW	5		X	M10 X 20, HS 10.9
6	19M9135	CAP SCREW	4		X	M20 X 100, HS 10.9
7	24M7242	WASHER	16		X	21.400 X 42 X 5 MM
8	34M7061	SPRING PIN	2		X	8 X 20 MM, HS 10.9

MIDFRAME ASSEMBLY (IVT)  
 ENSEMBLE DE CHASSIS CENTRAL (IVT)  
 MITTELRAHMEN-EINHEIT (IVT)  
 COMPLESSO A META' TELAIO (IVT)  
 CONJUNTO DEL BASTIDOR CENTRAL (IVT)  
 MITTENRAMENHET (IVT)

RXA0077664 -UN-04OCT04



RXA0077664

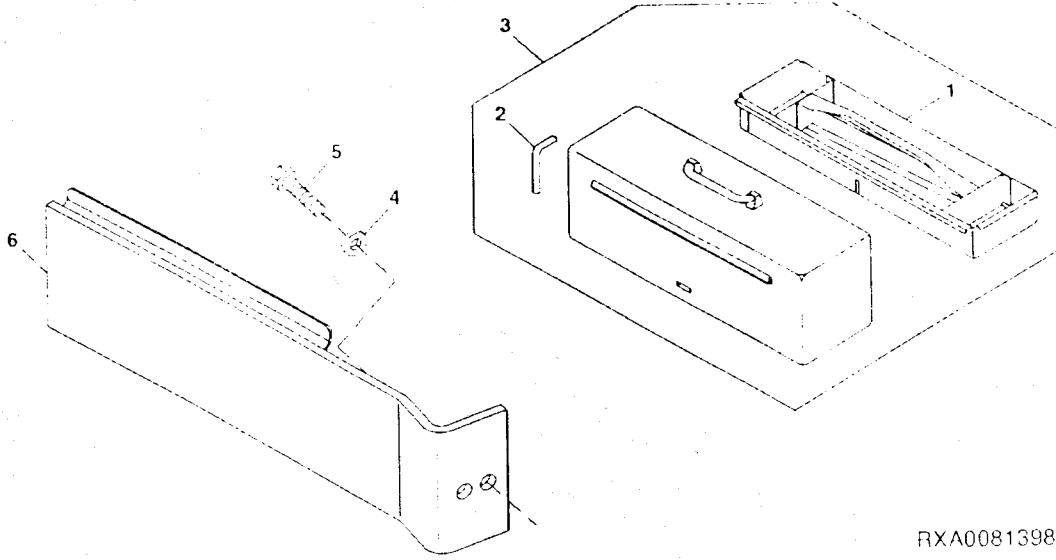
KEY	PART NO	PART NAME	QTY	TRACTOR SERIAL NO	A L L	REMARKS
1	RE241989	CENTER FRAME	1		X	(INCLUDES (3) 34M7061)
2	R54380	DOWEL PIN	4		X	
3	R218331	COVER	1		X	
4	19M7784	SCREW	9		X	M10 X 20 HS 10.9
5	R218333	COVER	1		X	
6	19M9135	CAP SCREW	4		X	M20 X 100 HS 10.9
7	24M7242	WASHER	16		X	21.400 X 42 X 5 MM
8	19M9140	CAP SCREW	12		X	M20 X 140 HS 10.9
9	34M7061	SPRING PIN	3		X	8 X 20 MM

# 80-48

WHEELS, FRONT AXLES AND SHEET METAL

TOOLBOX  
BOITE A OUTILS  
WERKZEUGKASTEN  
CAJA DE HERRAMIENTAS  
CASSETTA DEGLI ATTREZZI  
VERKTYGSLAADA

RXA0081398 -UN-14JUN05

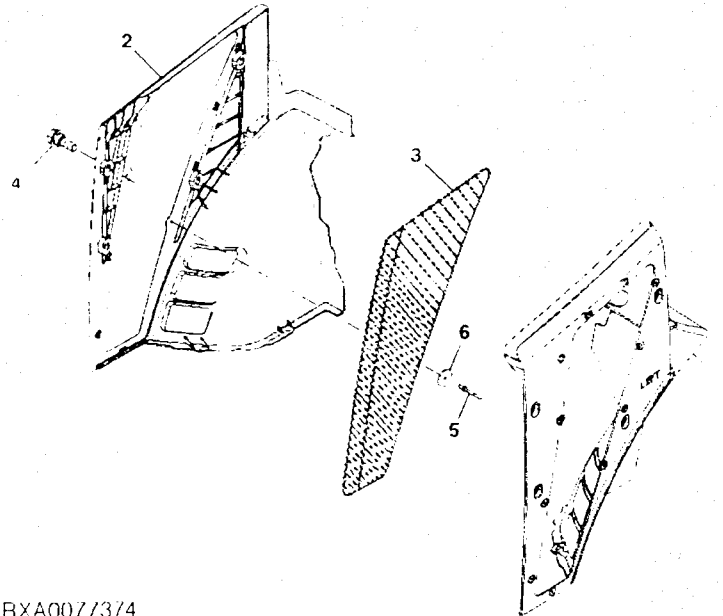


RXA0081398

KEY	PART NO.	PART NAME	QTY	TRACTOR SERIAL NO.	A L L	REMARKS
1	AT22073	HOLDER	1		X	
2	T23027	PIN	1		X	
3	AT22070	TOOLBOX	1		X	
4	19M7402	CAP SCREW	2		X	M10 X 25
5	24M7346	WASHER	2		X	11 X 20 X 2 MM
6	RE218223	BRACKET	1		X	

AIR LOUVER AND PANELS  
 VOLET D'AERATION ET PANNEAU  
 LUFTGRILL UND BLENDE  
 BOCCHETTE E PANNELLO DI AREAZIONE  
 VENTANA DE AIREACTON Y PANEL  
 PANEL MED VENTILATIONSOEPPNINGAR

RXA0077374 -UN-08SEP04



RXA0077374

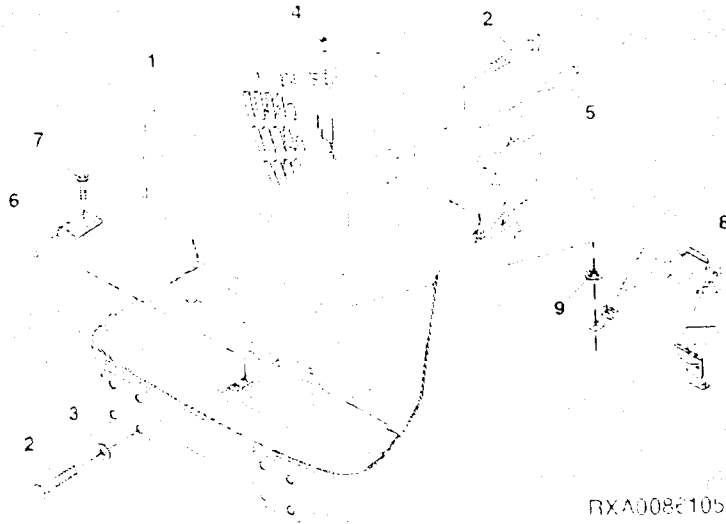
KEY	PART NO.	PART NAME	QTY	TRACTOR SERIAL NO.	A L L	REMARKS
1	RE234095	PANEL	1		X	R.H.
2	RE234096	PANEL	1		X	L.H.
3	.....	GUARD	1		X	(ORDER RE234095) R.H.
	.....	GUARD	1		X	(ORDER RE234096) L.H.
4	R250746	BOLT	8		X	
5	R55326	RIVET	22		X	
6	R232527	WASHER	22		X	

80-50

WHEELS FRONT AXLES AND SHEET METAL

FRONT FRAME  
 CHASSIS AVANT  
 VORDERRAHMEN  
 CASSIA ANTERIORE  
 CESTIDOR DELANTERO  
 RAEMRE RAM

RXA008105 UN-24.JAN06



RXA008105

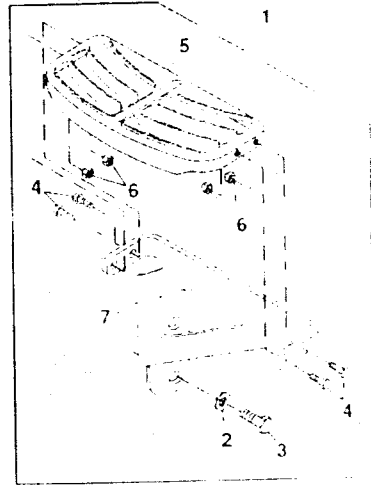
PART NO.	PART NAME	QTY	TRACTOR SERIAL NO	A L L	REMARKS
R242148	SUPPORT	1		X	(MFW)
R242149	SUPPORT	1		X	(ILS)
19M9135	CAP SCREW	16		X	M20 X 100
24M7242	WASHER	8		X	21.40 X 42 X 5 MM
R128733	PIN	8		X	
R119654	DOWEL PIN	1		X	(SUB R242148)
R242485	STRIKER	1		X	M10 X 20
19M7244	SCREW	1		X	
R243872	GUARD	1		X	
R141113	PUSH NUT	2		X	

CONVENIENCE STEP  
 MARCHEPIED AUXILIAIRE  
 ZUSATZTRITTSTUFE  
 PREDELLINO  
 PELDA-O AUXILIAR  
 EXTRA FOTSTEG

RXA0084103 -UN-21SEP05



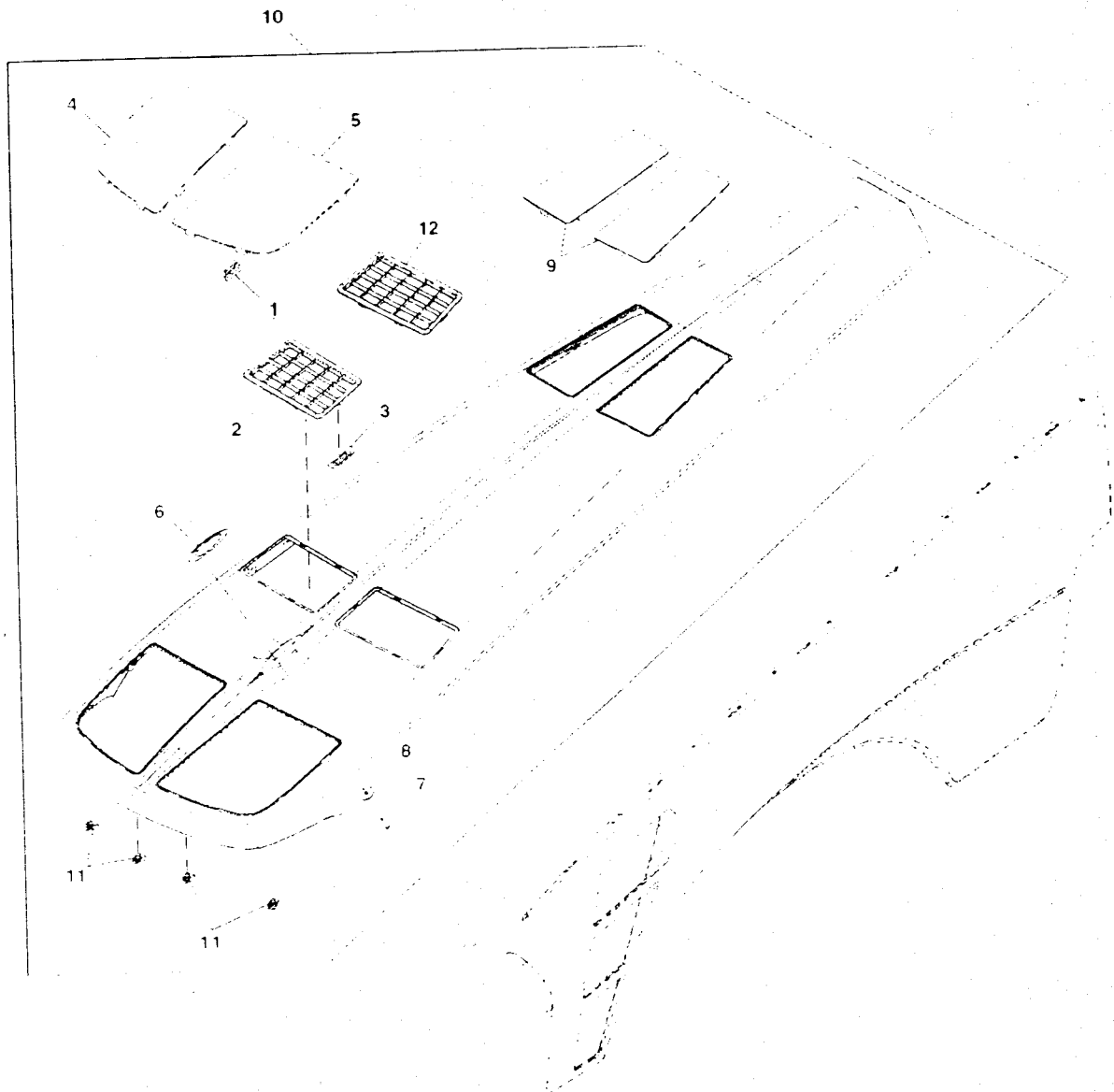
RXA0084103



KEY	PART NO.	PART NAME	QTY	TRACTOR SERIAL NO	A L L	REMARKS
1	AR252678	KIT	1		X	
2	24M7242	WASHER	2		X	21 400 X 42 X 5 MM
3	19M7946	CAP SCREW	2		X	M20 X 40
4	19M7786	SCREW	4		X	M10 X 30
5	R151799	STEP	1		X	
6	14M7517	LOCK NUT	4		X	M10
7	R248829	BRACKET	1		X	

OOD, LOUVERS AND SCREENS  
APOT, VOLETS ET GRILLES  
AUBE, BELUEFTUNGSDUESEN UND SCHUTZGITTER  
OFANO, FERITIOIE E SCHERMI  
APO, PERSIANAS Y PARRILLAS  
UV, GALLER OCH SKYDD

CA0085369 UN-14DEC05



RXA0085369

THIS PARTS LISTING IS CONTINUED

8130, 8230, 8330, 8430, 8530 TRACTORS PC9451 (20-DEC-05) PN-86C

KEY	PART NO	PART NAME	QTY	TRACTOR SERIAL NO	A L I	REMARKS
1	R229690	CLIP	32		X	
2	R229848	LOUVER	1		X R F	
3	GX20427	PUSH NUT	12		X	
4	R211067	SCREEN	1		X B F	
5	R211066	SCREEN	1		X	
6	R169906	POINTER	1		X	
7	37M7340	SCREW	2		X	
8	24M7210	WASHER	2		X	
9	R218384	GRILLE	1		X	
10	RE1343565	HOOD	1		X	
11	R164098	NUT	1		X	
12	R211202	LOUVER	1		X	
13	RE134097	HOOD	1		X	

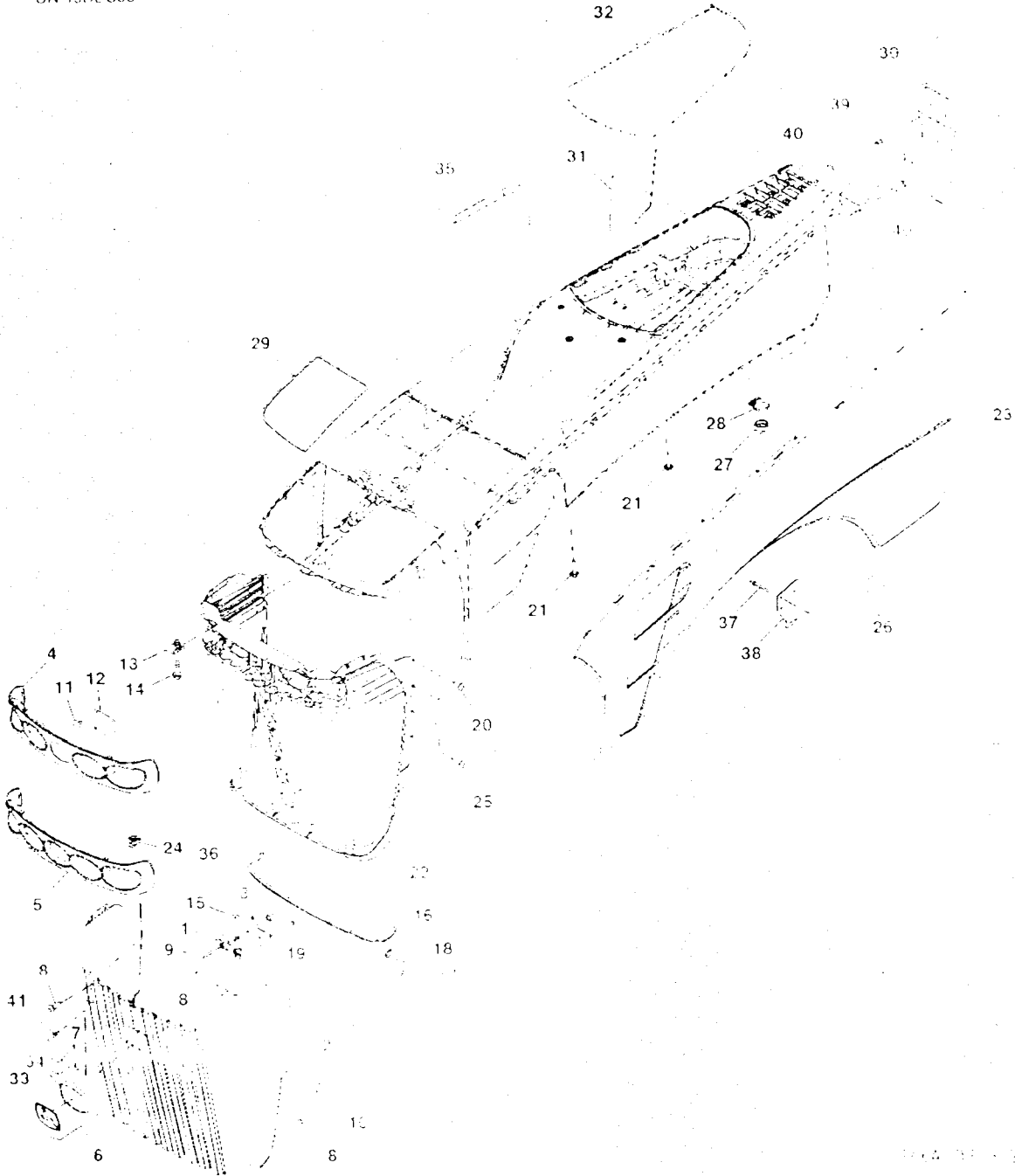


# 80-54

WHEELS, FRONT AXLES AND SHEET METAL

HEAT SHIELDS, FRONT GRILLE AND HEADLIGHT HOUSING  
PROTECTIONS THERMIQUES/CALANDRE AVANT-LOGEMENT DE PHARE/LOQUET DE CAPOT ET PANNEAUX LATERAUX  
HITZESCHILDE/VORDERES SCHUTZGITTER-SCHEINWERFERGEHAEUSE/HAUBENVERRIEGELUNG UND SEITENVER  
SCUDI TERMICI/GRIGLIA ANTERIORI-ALLOGGIAMENTO DEI FARI/FERMO DEL COFANO E PANNELLI LATERA  
ESCUDOS CONTRA CALOR/PARRILLA DELANTERA-CAJA DEL FARO/PESTILLO DEL CAPO Y TABEROS LATERALES  
AERMESKYDD/KYLARGALLER-STRAALKASTARHUS/HUVSPAERR OCH SIDOPLAATAR

UN-19DEC05



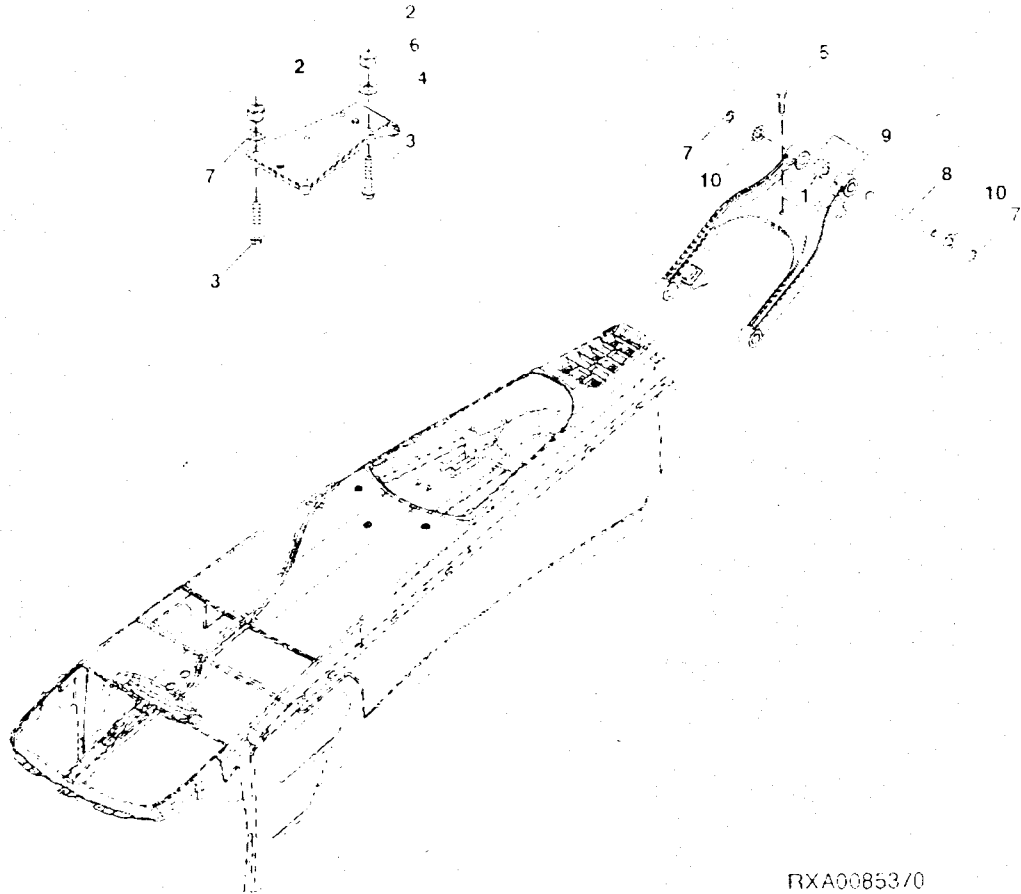
THIS PARTS LISTING IS CONTINUED

KEY	PART NO.	PART NAME	QTY	REMARKS
1	RE243884	LATCH	1	
2	RE210920	SCREEN	1	
	RE210929	SCREEN	1	
3	14M7307	LOCK NUT	1	
4	R210867	BEZEL	1	
	JD5839	LABEL	1	
	R210867	BEZEL	1	
	RE184418	MEDALLION	1	
	R18469	TAPE	1	
	R211171	SCREW	1	
	19M7180	SCREW	1	
	R211877	CLIP	1	
	R21121	CLIP	1	
	R210937	PLATE	1	
	R211877	CLIP	1	
	19M7180	SCREW	1	
	R210935	SUPPORT	1	
	R211007	NUT	1	
	R211007	ROD	1	
	R211007	COVER	1	
	31M7199	SCREW	1	
	31M7351	SCREW	1	
	R248916	CAP SCREW	1	
	R243562	FRAME	1	
		HOOD		ORDER RE234097 L.H.
		HOOD		ORDER RE234097 R.H.
		CLIP		
		SCREW		
		HEAT SHIELD		
		VALVE		
	AR21840	HOSE CLAMP		
	R210927	ISOLATOR		
	R239141	BARRIER		
	R248888	HEAT SHIELD		SUB R256118)
	R210926	ISOLATOR		
	JD5723	LABEL		
	R184003	SUPPORT		SUB R251320)
	R215431	HEAT SHIELD		
	R210943	SEAL		
	M136047	RIVET		
	R248908	BRACKET		
	R241346	BRACKET		
	19M7866	SCREW		
	R210927	RIVET		
	RE234097	HOOD		

- A DELUXE HOOD LIGHTING
- B AIRAGE DE CAPOT DE LUXE
- C HAUBENBELEUCHTUNG
- D ILLUMINAZIONE COFANO DELUXE
- E CONJUNTO DE LUCES DE CAPO DE LUJO
- F HOUVBELYSING

HOOD HINGE AND PIVOT  
CHARNIERE ET PIVOT DE CAPOT  
HAUBENSCHARNIER UND GELENK  
CERNIERA ED ARTICOLAZIONE DEL COFANO  
BISAGRA Y PIVOTE DE CAPO  
HUVENS GAANGJAERN OCH VRIDTAPP

RXA00853/0 JUN-15DEC05



RXA00853/0

THIS PARTS LISTING IS CONTINUED

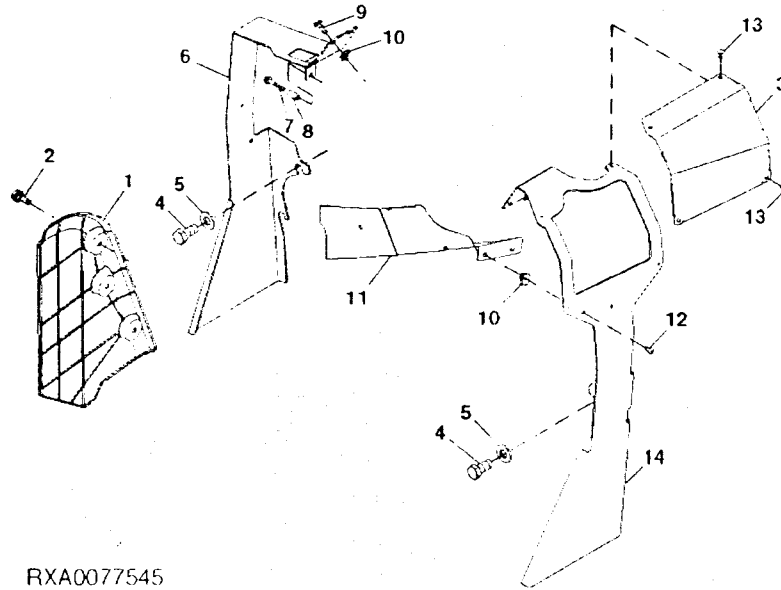
# 80-57

WHEELS, FRONT AXLES AND SHEET METAL

KEY	PART NO.	PART NAME	QTY.	TRACTOR SERIAL NO	A L L	REMARKS
1	R183008	BUSHING	4		X	
2	14M7517	LOCK NUT	6		X	M10
3	19M7807	SCREW	6		X	M10 X 60
4	R166673	HINGE	1		X	
5	37M7092	SCREW	1		X	M8 X 16
6	24M7346	WASHER	6		X	11 X 20 X 2 MM
7	F2863R	SNAP RING	2		X	
8	M131013	PIN FASTENER	1		X	
9	RE210947	PIVOT	1		X	
10	24M7338	WASHER	2		X	17 X 30 X 3 MM, R.H.
	RE234097	HOOD	1		X	

TURBO SHIELD/HOOD SUPPORTS (REAR)  
 ECRAN THERMIQUE DU TURBOCOMPRESSEUR/ETAI DE CAPOT (ARRIERE)  
 TURBOLADER-HITZESCHILD/HAUBENSTUETZE (HINTEN)  
 PROTEZIONE TURBOCOMPRESSORE/SUPPORTO COFANO (POSTERIORE)  
 PROTECTOR DEL TURBOALIMENTADOR/SOPORTE DEL CAPO (TRASERO)  
 TURBOAGGREGATETS VAERMESKOELD/HUVSTOED (BAK)

RXA0077545 UN-05AUG05



RXA0077545

KEY	PART NO.	PART NAME	QTY.	TRACTOR SERIAL NO.	A L L	REMARKS
1	R250072	SHIELD	1		X	(SUB R253051) (SUB FOR R243254)
2	R232522	BOLT	3		X	(SUB R250746)
3	RE229860	HEAT SHIELD	1		X	
4	19M7946	CAP SCREW	4		X	M20 X 40
5	24M7242	WASHER	4		X	21.400 X 42 X 5 MM
6	RE248991	GUIDE	1		X	(LH)
7	19M7979	SCREW	1		X	M8 X 55
8	28H3390	SPACER	1		X	
9	19M7867	SCREW	2		X	M8 X 25
10	L55969	NUT	3		X	
11	RE229861	HEAT SHIELD	1		X	
12	R189346	SCREW	4		X	
13	R55326	RIVET	4		X	
14	R210801	GUIDE	1		X	(RH)

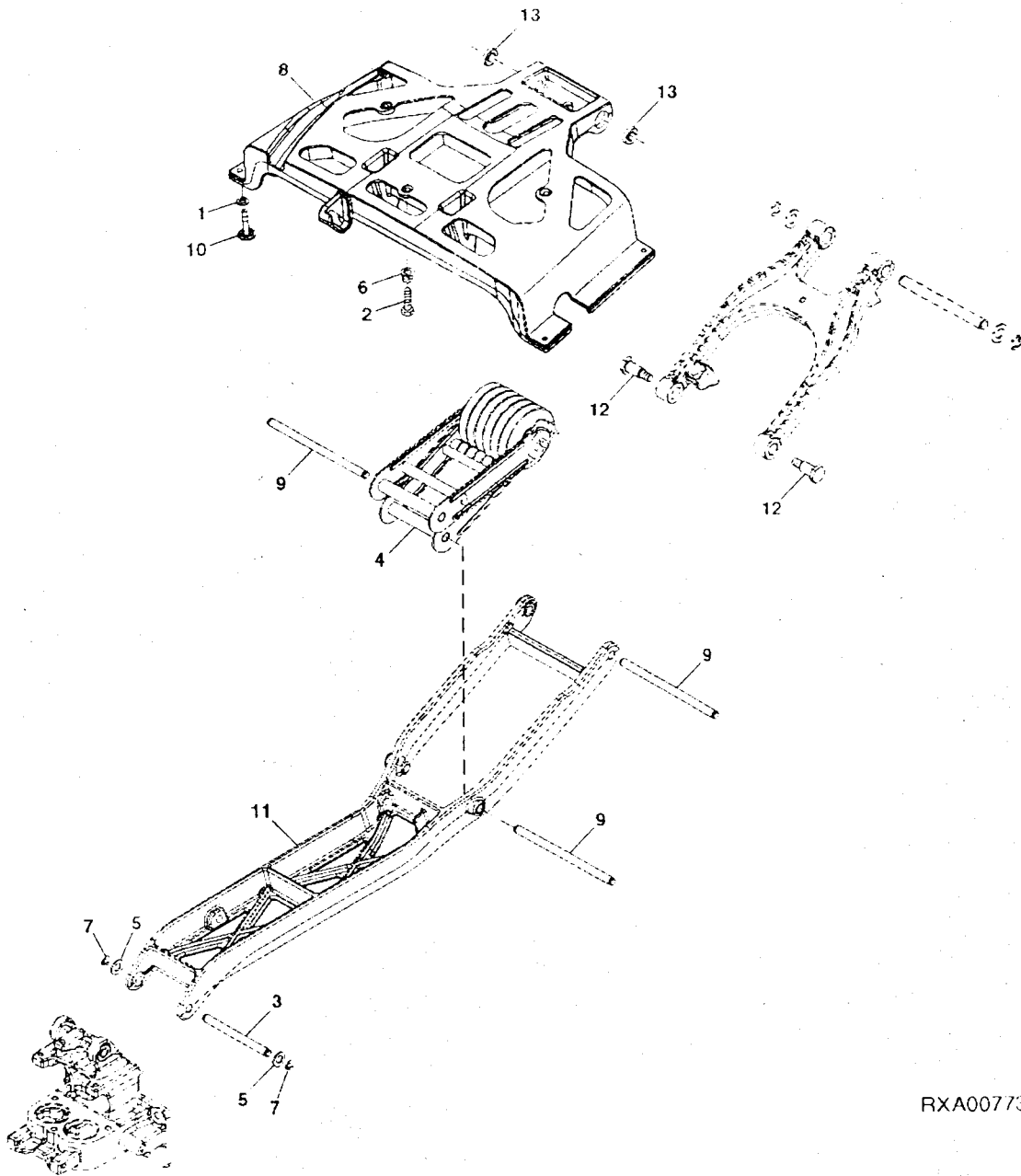
MEMORANDA  
MEMORANDA  
MEMORANDA  
MEMORANDA  
MEMORANDA  
MEMORANDA

# 80-60

WHEELS, FRONT AXLES AND SHEET METAL

HOOD SUPPORT  
ETAI DE CAPOT  
HAUBENSTUETZE  
SUPPORTO COFANO  
SOPORTE DEL CAPO  
HUVSTOED

RXA0077399 -UN-17JUN05



RXA0077399

THIS PARTS LISTING IS CONTINUED

# 80-61

WHEELS, FRONT AXLES AND SHEET METAL

KEY	PART NO.	PART NAME	QTY.	TRACTOR SERIAL NO.	A L L	REMARKS
1	R211186	WASHER	4		X	
2	19M7775	SCREW	3		X	M6 X 16
3	R211204	GROOVE PIN	1		X	
4	RE211188	SPRING ASSEMBLY	1		X	13.500 X 24 X 2.500 MM
5	24M7345	WASHER	8		X	M6
6	14M7397	LOCK NUT	4		X	
7	40M7059	SNAP RING	9		X	
8	RE210948	BRACKET	1		X	
9	R210946	GROOVE PIN	3		X	M6 X 40
10	19M7797	SCREW	4		X	
11	R242338	LINKAGE	1		X	
12	R192289	BOLT	2		X	
13	RE191783	BALL BEARING	2		X	



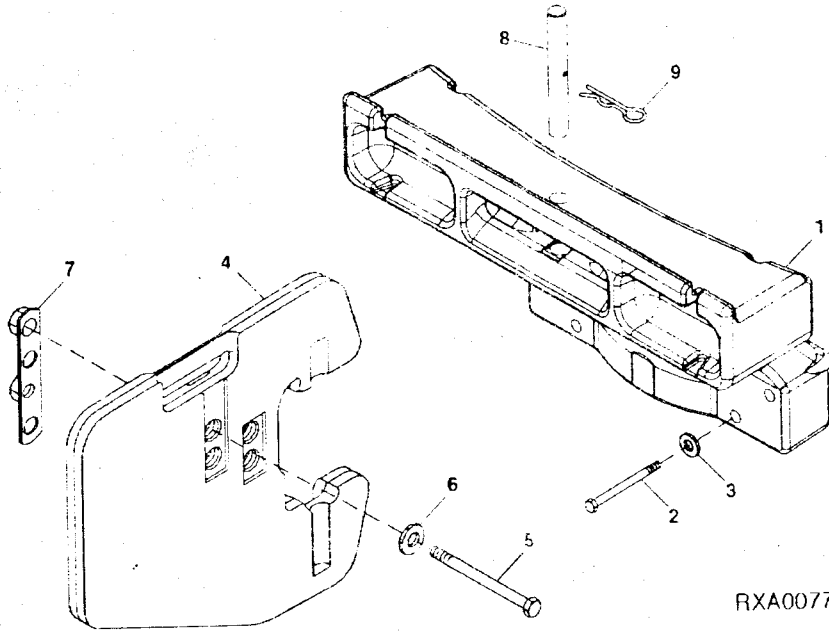
80-62

WHEELS, FRONT AXLES AND SHEET METAL

MEMORANDA  
MEMORANDA  
MEMORANDA  
MEMORANDA  
MEMORANDA

**FRAME WEIGHTS/FRONT WEIGHT SUPPORT**  
**MASSES D'ALOURDISSEMENT/SUPPORT DE MASSES AVANT**  
**RAHMENGEWICHTE/FRONTGEWICHTSTUETZE**  
**ZAVORRE ANTERIOR/SUPPORTO ANTERIORE DEL PESO**  
**CONTRAPESOS PARA EL BASTIDOR/SOPORTE DEL PESO DELANTERO**  
**FRONTVIKTER/STOED FOER FRAMVIKTER**

RXA0077688 -UN-08OCT04



RXA0077688

KEY	PART NO.	PART NAME	QTY.	TRACTOR SERIAL NO.	A L L	REMARKS
1	R242154	SUPPORT	1		X (D)	
2	19M9141	CAP SCREW	6		X	M20 X 150
3	24M7242	WASHER	6		X	21.400 X 42 X 5 MM
4	R127764	COUNTERWEIGHT	AR		X (D)	
5	19H1926	CAP SCREW	2		X	(A) 5/8" X 4-3/4"
	08H4225	CAP SCREW	2		X	(B) 5/8" X 11-1/2"
	R161069	CAP SCREW	2		X (C)	
6	24M7241	WASHER	2		X	17 X 34 X 4 MM
7	AR68801	RETAINER	2		X	
8	T32146	PIN FASTENER	1		X	
9	L12491	SPRING LOCKING PIN	1		X	

(A) 4 WEIGHTS  
 4 MASSE ADDITIONNELLE  
 4 GEWICHT  
 4 ZAVORRA  
 4 LASTRE  
 4 VIKT

(C) 16 20 22 WEIGHTS  
 16 20 22 MASSE ADDITIONNELLE  
 16 20 22 GEWICHT  
 16 20 22 ZAVORRA  
 16 20 22 LASTRE  
 16 20 22 VIKT

(B) 8 10 12 WEIGHTS  
 8 10 12 MASSE ADDITIONNELLE  
 8 10 12 GEWICHT  
 8 10 12 ZAVORRA  
 8 10 12 LASTRE  
 8 10 12 VIKT

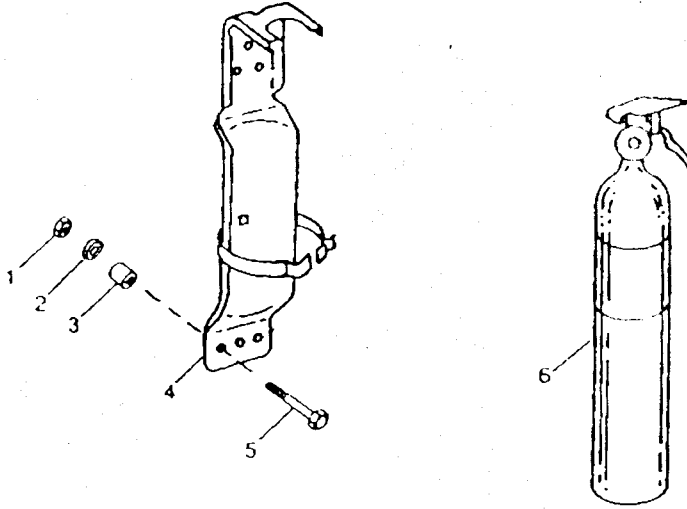
(D) ORDER THROUGH WATERLOO TRACTOR WEIGHT PROGRAM  
 COMMANDER PAR L'INTERMEDIAIRE DU PROGRAMME DE POIDS DE TRACTEUR DE WATERLOO  
 UEBER WATERLOO-TRAKTORBALLASTPROGRAMM BESTELLEN  
 ORDINARE TRAMITE IL PROGRAMMA DI PESO DEI TRATTORI WATERLOO  
 PEDIR A TRAVES DEL PROGRAMA DE PESOS DE TRACTOR DE WATERLOO  
 BESTAELL GENOM WATERLOOS TRAKTORVIKTSPROGRAM

# 80-64

WHEELS, FRONT AXLES AND SHEET METAL

FIRE EXTINGUISHER  
 EXTINCTEUR  
 FEUERLOESCHER  
 ESTINTORE  
 EXTINTOR  
 ELDSLAECKARE

RWP2787 -UN-01JAN94



**RWP2787**

KEY	PART NO	PART NAME	QTY	TRACTOR SERIAL NO.	A L L	REMARKS
1	14H786	NUT	2		X	1/4"
2	24H1287	WASHER	2		X	9/32" X 5/8" X 0.065"
3	28H3423	BUSHING	2		X	0.364" X 0.540" X 7/8"
4	AT75387	BRACKET	1		X	
5	21H1035	SCREW	2		X	1/4" X 1-1/2"
6	AT141924	FIRE EXTINGUISHER	1		X	5 LB
	TY15630	BRACKET	1		X	10 LB

SEALANT  
 PRODUIT D'ETANCHEITE  
 DICHTMITTEL  
 SIGILLANTE  
 SELLADOR  
 TAETNINGSMEDAL

R32259 -UN-01JAN94

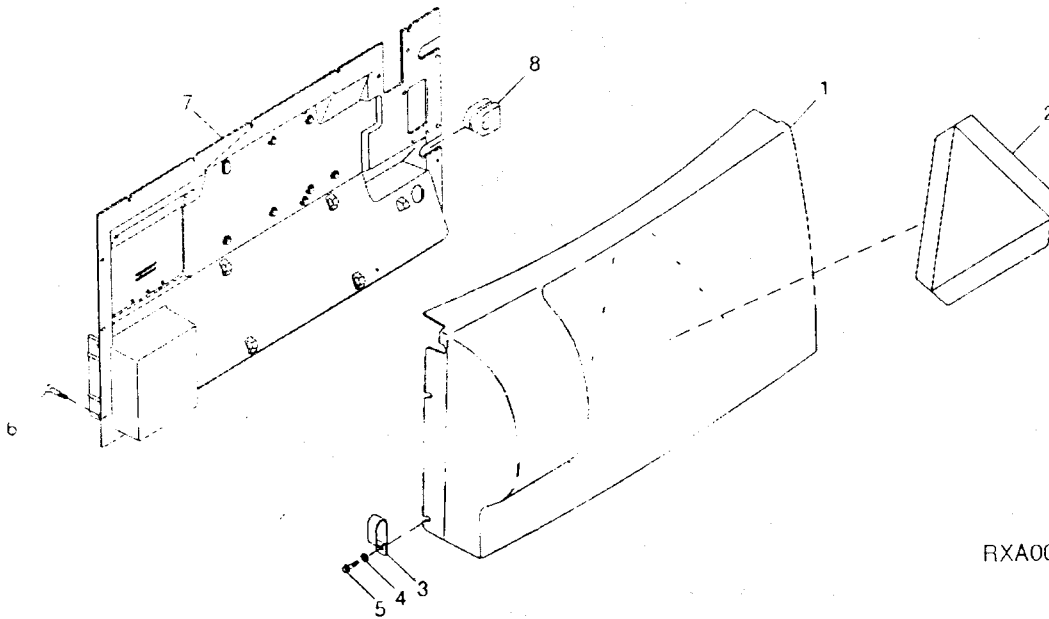


R32259f

KEY	PART NO.	PART NAME	QTY.	TRACTOR SERIAL NO.	A L L	REMARKS
1	T43514	GASKET	1		X	NO.277 (50 ML)
	TY6304	SEALANT	1		X	NO.515 (50 ML)
	TY9370	SEALANT	1		X	NO.242 (6 ML)
	T43512	SEALANT	1		X	NO.242 (50 ML)
	TY9371	SEALANT	1		X	NO.271 (6 ML)
	T43513	SEALANT	1		X	NO.271 (50 ML)
	TY9374	SEALANT	1		X	NO.592
	TY9375	SEALANT	1		X	NO.592
	TY8311	ADHESIVE	1		X	NO.660
	TY15969	ADHESIVE	1		X	NO.635
	TY24445	ADHESIVE	1		X	NO.454
	TY15435	ADHESIVE	1		X	NO.445
	TY16285	PRIMER	1		X	NO.764
	TY15941	ADHESIVE	1		X	

CAB REAR COVER  
 COFFRE A BATTERIE  
 BATTERIEKASTEN  
 VANO BATTERIA  
 CAJA DE BATERIA  
 BATTERILAADA

RXA0077064 UN-26AUG04



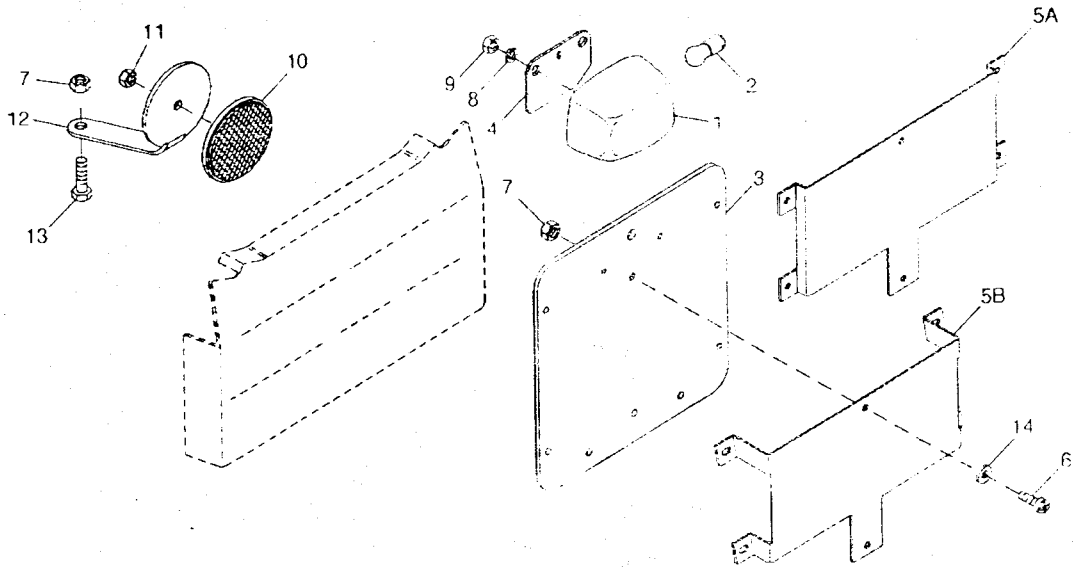
RXA0077064

KEY	PART NO	PART NAME	QTY.	TRACTOR SERIAL NO.	A L L	REMARKS
1	R222074	COVER	1		X	
	R230263	COVER	1		X (A)	
2	TY24479	SMV EMBLEM	1		X	
3	R124829	CLAMP	1		X (RH)	
	R195535	CLAMP	1		X (LH)	
4	24M7298	WASHER	4		X	8.400 X 25 X 2 MM
5	37M7084	SCREW	4		X	M8 X 25
6	37M7147	SCREW	4		X	
7	RE248633	COVER	1		X	(SUB RE255231)
8	L76331	GROMMET	2		X	

(A) EUROPEAN VERSION  
 VERSION EUROPEENNE  
 EUROPÄISCHE AUSFUEHRUNG  
 VERSIONE EUROPEA  
 VERSION EUROPEA  
 EUROPEISK VERSION

LICENSE PLATE AND LAMP (EUROPEAN VERSION)  
 PLAQUE MINERALOGIQUE ET FEU (VERSION EUROPEENNE)  
 KENNZEICHENHALTER UND LAMPE (EUROPAEISCHE AUSFUEHRUNG)  
 SUPPOTO TARGA E LAMPADINA (VERSIONE EUROPEA)  
 PLACA DE CIRCULACION Y LUZ (VERSION EUROPEA)  
 REGISTRERINGSSKYLT MED BELYSNING (EUROPEISK VERSION)

RXA0087731 -UN-10MAR06



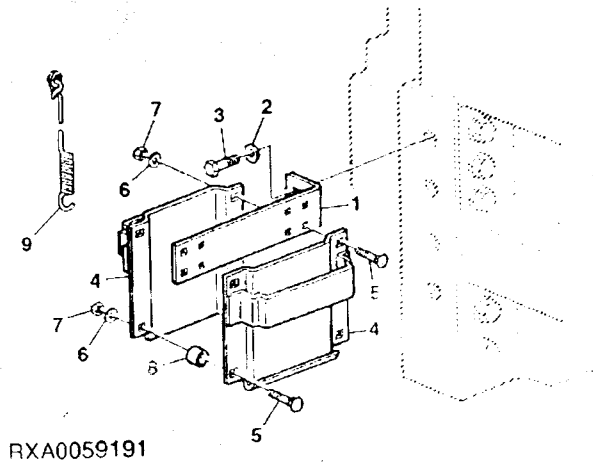
RXA0087731

KEY	PART NO.	PART NAME	QTY.	TRACTOR SERIAL NO.	A L L	REMARKS
1	AL33161	LENS	1		X	
2	57M7013	BULB	1		X	
3	R125408	PLATE	1		X	
4	R175436	GASKET	1		X	(SUB R254929)
5A	R230198	BRACKET	1	-XXXXXX	X	
5B	R256869	BRACKET	1	XXXXXX-	X	
6	21M7265	SCREW	6		X	M5 X 12
7	14M7265	LOCK NUT	6		X	M5
8	12M7084	LOCK WASHER	2		X	4.300 MM
9	14M7100	NUT	2		X	M4
10	AL77442	REFLECTOR	1		X	
11	14M7297	NUT	1		X	M5
12	R231321	BRACKET	1		X	R.H.
	R234875	BRACKET	1		X	L.H.
13	19M7550	CAP SCREW	1		X	M10 X 35 HS 10.9
14	24M7139	WASHER	6		X	6.400 X 18 X 1.600 MM



CHOCK BLOCK HOLDER  
 SUPPORT DE CALE  
 BREMSKLATZHALTER  
 SUPPORTO ZEPPA  
 PORTABLOQUE INMOVILIZADOR  
 BROMSKLOSSHAALLARE

RXA0059191 -UN-10JAN02



RXA0059191

KEY	PART NO	PART NAME	QTY.	TRACTOR SERIAL NO	A L L	REMARKS
1	L79302	BRACKET	1		X	
	R244146	BRACKET	1		X (A)	
2	24M7242	WASHER	2		X	21.400 X 42 X 5 MM
3	19M7946	CAP SCREW	2		X	M20 X 40
4	AL26778	SUPPORT	2		X	
5	03M7191	BOLT	4		X	M10 X 25
6	24M7346	WASHER	4		X	11 X 20 X 2 MM
7	14M7274	NUT	4		X	M10
8	L33629	SPACER	2		X	
9	AL41725	EXTENSION SPRING	2		X	

(A) W/ CATEGORY IV  
 W/ CATEGORIE IV  
 W/ KATEGORIE IV  
 W/ CATEGORIA IV  
 W/ CATEGORIA IV  
 W/ KATEGORI IV

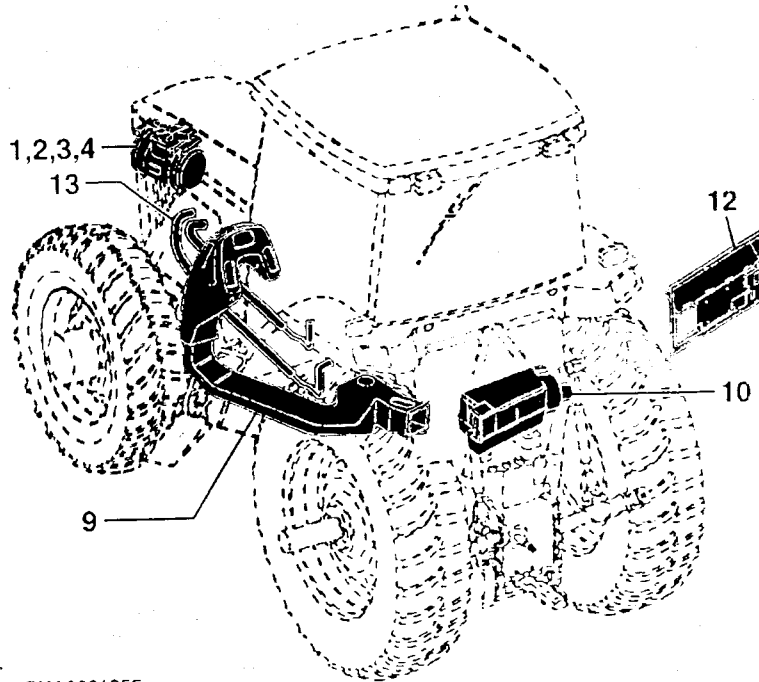
# 90-A01

OPERATOR'S STATION ACCESSORIES

SECTIONAL INDEX  
INDEX DE SECTION  
GRUPPENINDEX  
INDICE DELLA SEZIONE  
INDICE DE SECCION  
GRUPPSFORTECKNING

RXA0081955 -UN-

1-	1
2-	2
3-	3
4-	4
9-	12
10-	14
10-	16
12-	22
13-	24



RXA0081955



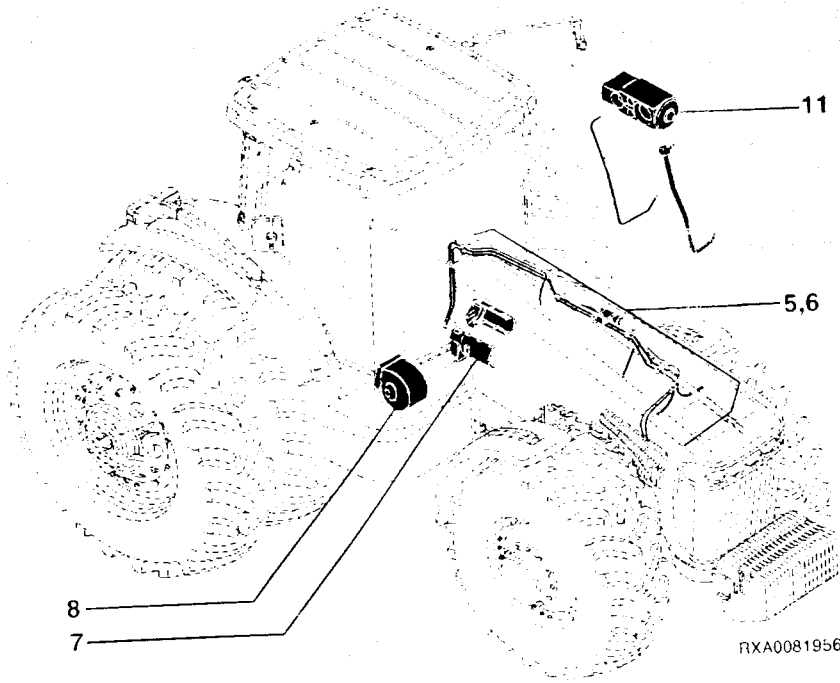
# 90-A02

OPERATOR'S STATION ACCESSORIES

SECTIONAL INDEX  
INDEX DE SECTION  
GRUPPENINDEX  
INDICE DELLA SEZIONE  
INDICE DE SECCION  
GRUPPSFORTECKNING

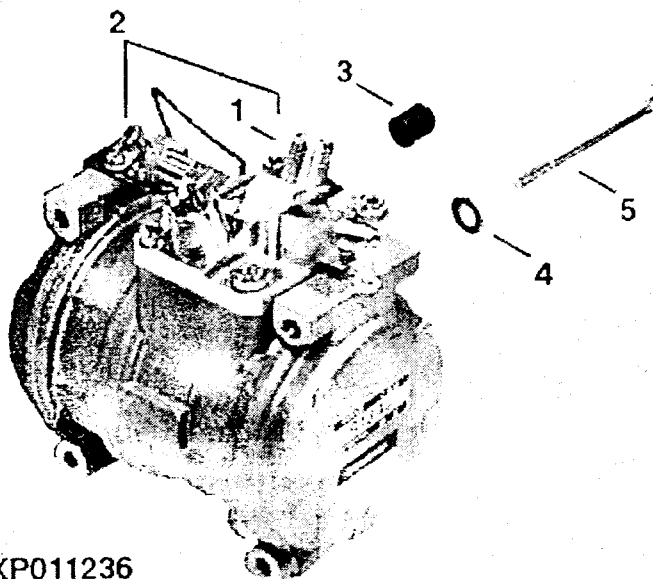
RXA0081956 -UN-

5-	6
6-	8
7-	10
8-	11
11-	18
11-	20



AIR CONDITIONING COMPRESSOR  
 COMPRESSEUR DE CLIMATISATION  
 KLIMAANLAGE-KOMPRESSOR  
 COMPRESSORE DELL'ARIA CONDIZIONATA  
 COMPRESOR DEL ACONDICIONADOR DE AIRE  
 LUFTKONDITIONERINGSKOMPRESSOR

RXP011236 UN-01JAN94



RXP011236

KEY	PART NO.	PART NAME	QTY.	TRACTOR SERIAL NO.	A L L	REMARKS
1	RE51052	MANIFOLD	1		X	
2	RE46609	COMPRESSOR	1		X	(NIPPONDENSO 447200-3350) (INCLUDES RE51052, RE52454, RE52507, RE52508, RE52509, RE52510 AND R115743)
	RE52454	COMPRESSOR	1		X (C)	
	TY6764	COMPRESSOR	1		X (A)	
3	34M7189	SPRING PIN	2		X	11 x 8 MM
4	24M7055	WASHER	3		X	(B) 8.400 X 16 X 1.600 MM
5	19M8539	CAP SCREW	3		X	M8 X 90, HS 10.9
..	R115742	SEAL	1		X	
..	TY15949	REFRIGERANT	1		X	12 OZ
..	TY15951	REFRIGERANT	1		X	30 LBS

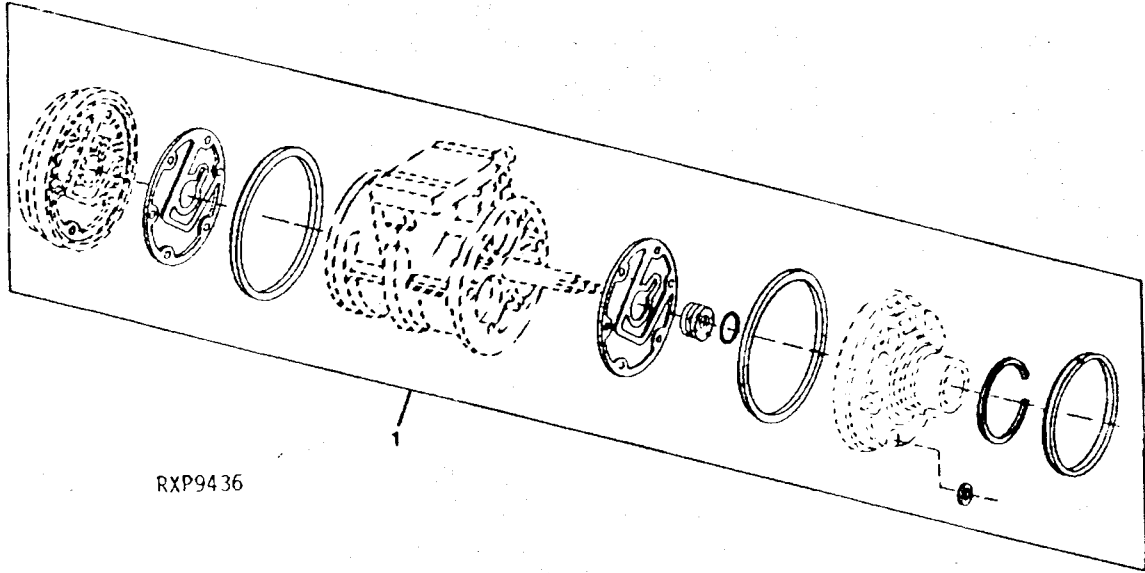
(A) REMANUFACTURED  
 ECHNGE STANDARD  
 GENERALUEBERHOLT  
 RAFATTO  
 REFARICADO POR  
 RENOVERAD

(B) HARDENED  
 TREMPE  
 GEHAERTET  
 TEMPRATO  
 TEMPLADO  
 HAERDAD

(C) COMPRESSOR ONLY  
 COMPRESSEUR SEULEMENT  
 NUR KOMPRESSOR  
 SOLAMENTE IL COMPRESSORE  
 SOLO COMLPRESOR  
 ENDAST KOMPRESSOR

COMPRESSOR PARTS  
 PIECES DE COMPRESSEUR  
 KOMPRESSORTEILE  
 COMPONENTI DEL COMPRESSORE  
 COMPONENTES DEL COMPRESOR  
 KOMPRESSORDELAR

RXP9436 -U1-01JAN94



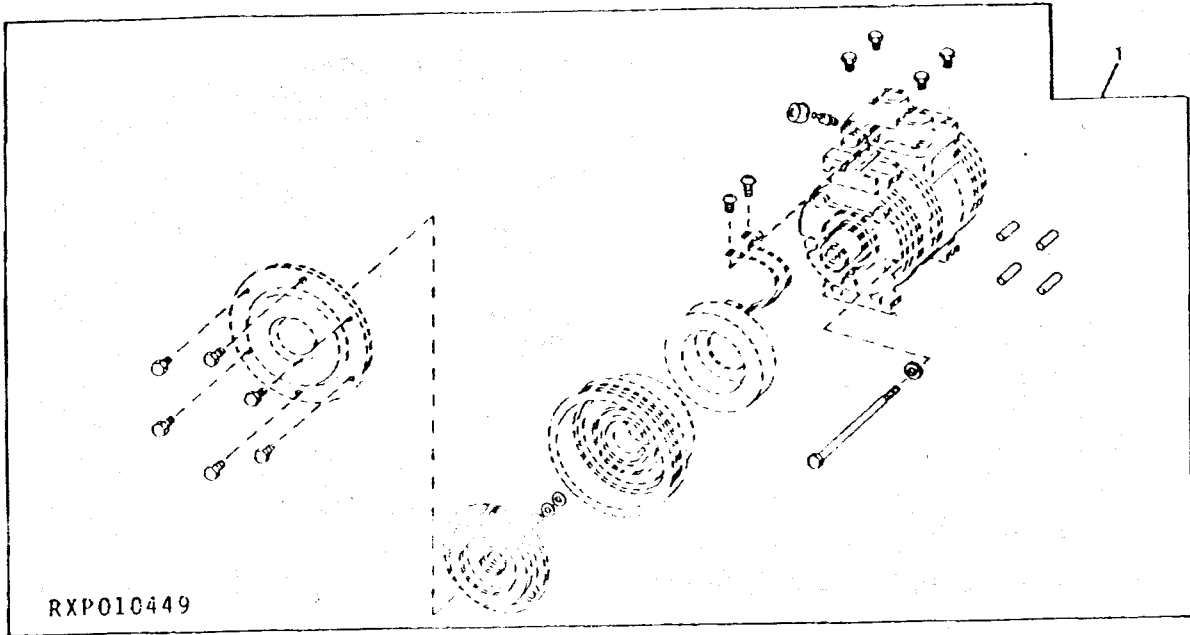
RXP9436

KEY	PART NO.	PART NAME	QTY.	TRACTOR SERIAL NO.	A L L	REMARKS
1	RE52509	SEAL KIT	1		X	

COMPRESSOR HARDWARE SET  
 COLIS DE PIECES DE COMPRESSEUR  
 COMPRESSOR ANBAUSATZ  
 SET APPARATO DI COMPRESSIONE  
 JUEGO DE DE PIEZAS DEL COMPRESOR  
 KOMPRESSOR, MONTERINGSDETALJER

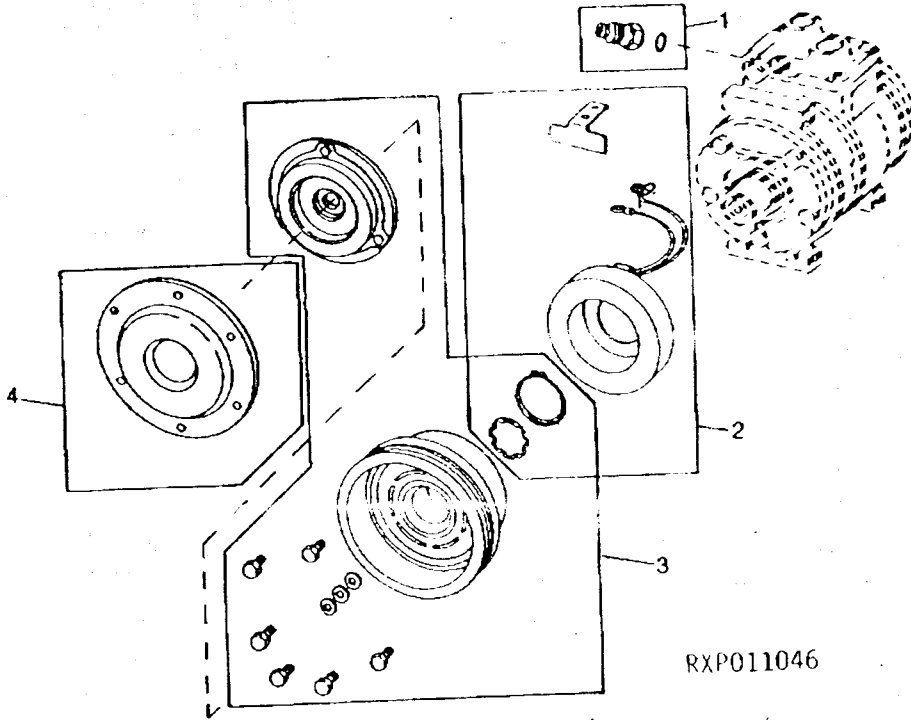
RXP010449

-UN-01JAN94



KEY	PART NO.	PART NAME	QTY.	TRACTOR SERIAL NO.	A L L X	REMARKS
1	RE52507	KIT	1		X	

COMPRESSOR CLUTCH/STATOR/DUST COVER  
 EMBRAYAGE DE COMPRESSEUR/STATOR/CACHE-POUSSIÈRE  
 KOMPRESSORKUPPLUNG/STÄNDER/STAUBKAPPE  
 REIZIONE DEL COMPRESSORE/STATORE/PARAPOLVERE  
 CUBIERTA GUARDAPOLVO/ESTATOR/EMBRAGUE DEL COMPRESOR  
 KOMPRESSORKOPPLING/STATOR/DAMMSKYDD

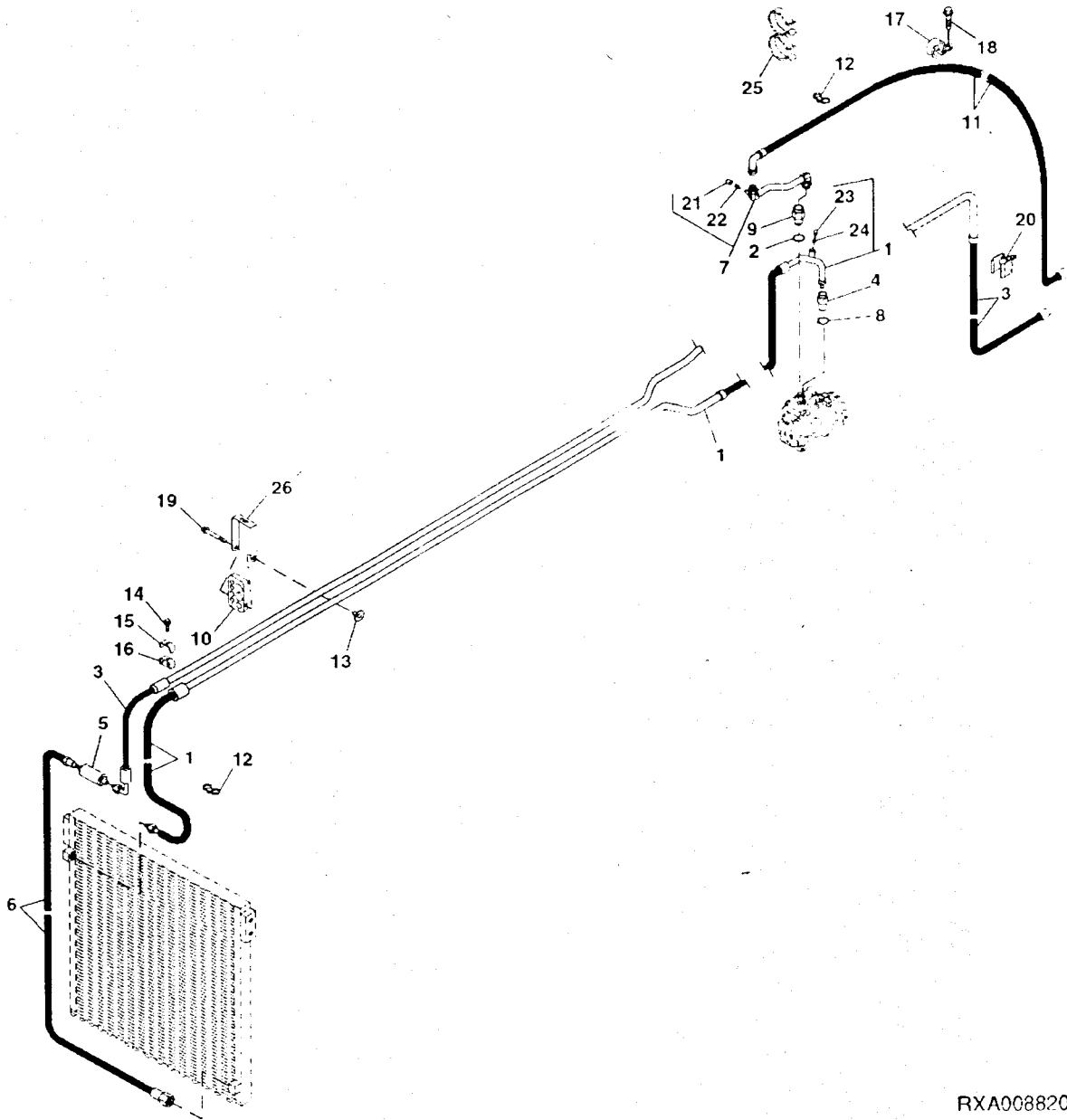


RXP011046

KEY	PART NO.	PART NAME	QTY.	TRACTOR SERIAL NO.		REMARKS
				A	L	
1	RE52506	FLOW CONTROL HYD. VALVE	1		X	
2	RE52510	STATOR	1		X	
3	RE52508	KIT	1		X	
4	R115743	COVER	1		X	

REFRIGERANT LINES  
CONDUITES DE REFRIGERANT (VERSION NORD AMERICAINE)  
KUEHLMITTEL LEITUNG (NORDAMERIKANISCHE AUSFUEHRUNG)  
TUBAZIONE DEL REFRIGERANTE (VERSIONE NORDAMERICANA)  
TUBERIAS YDE REFRIGERANTE (VERSION NORTEAMERICANA)  
KYLMELEDNING (NORDAMERIKANSK VERSION)

RXA0088202 -UN-11APR06



RXA0088202

THIS PARTS LISTING IS CONTINUED

KEY	PART NO.	PART NAME	QTY.	TRACTOR SERIAL NO.	A L L	REMARKS
1	RE257163	LINE	1		X	(SUB FOR RE244461 OR RE249971) (SUB RE260555)
2	R183410	O-RING	1		X	
3	RE249970	REFRIGERANT HOSE	1		X	(SUB FOR RE242919) (SUB RE260556)
4	RE223853	FITTING	1		X	
5	RE214440	RECEIVER-DRYER	1		X	
6	RE242918	REFRIGERANT HOSE	1		X	
7	RE233218	LINE	1		X	
8	R183411	O-RING	1		X	(SUB RE252625)
9	RE223851	FITTING	1		X	
10	R233223	CLAMP	3		X	
11	RE233221	REFRIGERANT HOSE	1		X	(C) (SUB FOR RE233221 AND RE249969)
12	R213663	CLAMP	2		X	
13	R187365	NUT	3		X	
14	19M7897	SCREW	2		X	M8 X 35. HS 10.9
15	R184062	COVER	2		X	
16	R184068	CLAMP	2		X	(SUB R252624)
17	R237661	HOSE CLAMP	1		X	M12 X 20
18	19M7787	SCREW	1		X	M3 X 60
19	19M7801	SCREW	3		X	
20	L153768	CLIP	3		X	
21	AT318165	CAP	1		X	(B)
22	AT318163	VALVE	1		X	
23	AT318166	CAP	1		X	(A)
24	AT318164	VALVE	1		X	
25	AL157825	CLAMP	1		X	
26	R259710	CHANNEL	3		X	

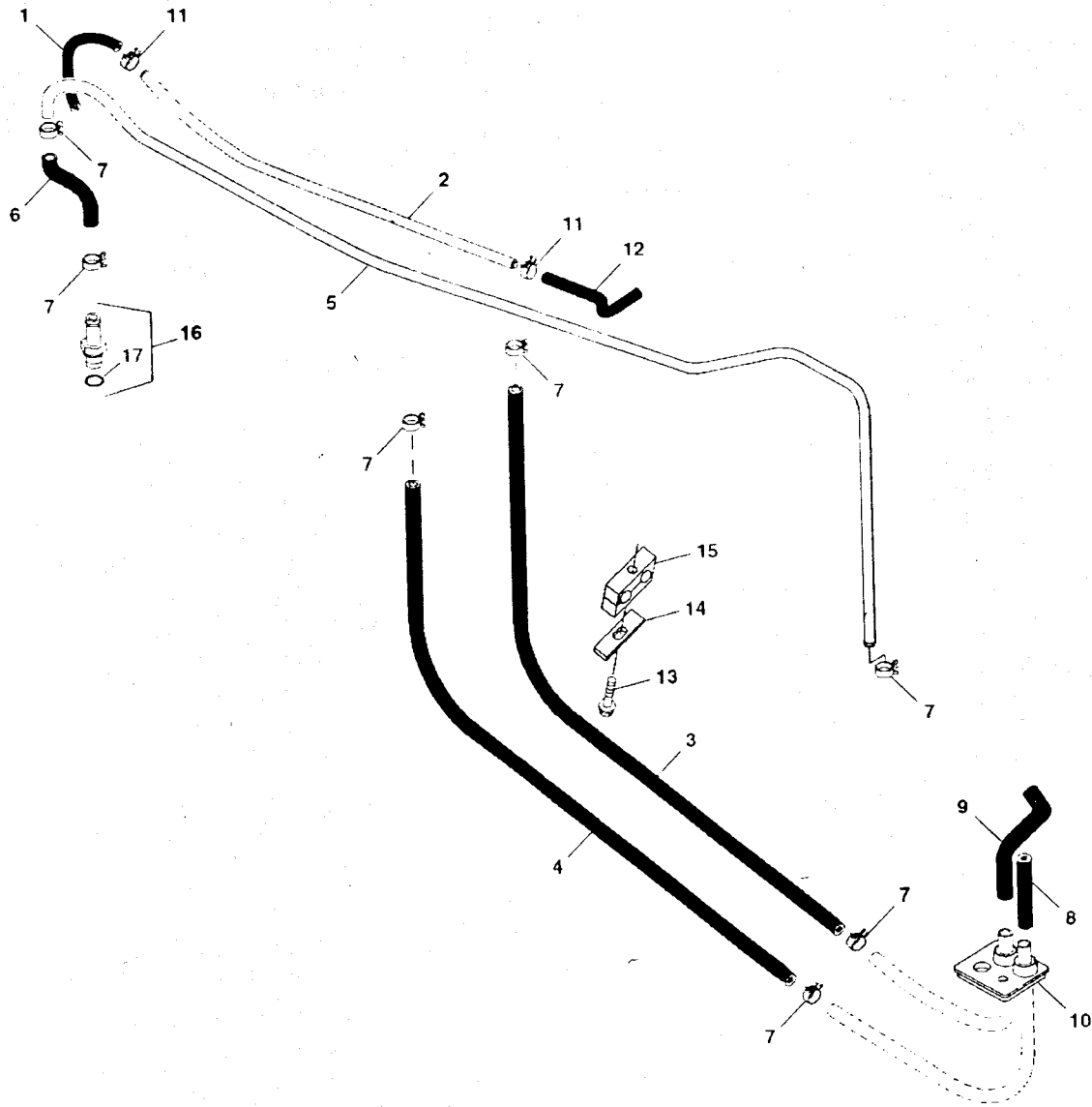
(A) HIGH PRESSURE  
 HAUTE PRESSION  
 HOCHDRUCK  
 ALTA PRESSIONE  
 ALTA PRESIO  
 HOEGT TRYCK

(B) LOW PRESSURE  
 BASSE PRESSION  
 NIEDERDRUCK  
 BASSA PRESSIONE  
 BAJA PRESSION  
 LAAGT TRYCK

(C) SUCTION  
 ASPIRATION  
 SAUGSEITE  
 ASPIRAZIONE  
 ASPIRACION  
 INSUGNING

HEATER HOSES  
SERVICABLE DE CHAUFFAGE  
EIZUNGSSCHLAUCH  
TUBO DEL RISCALDATORE  
TUBERIA DEL CALEFACTOR  
RANG FOER VAERMEAPPARAT

KA0084718 -UN-20OCT05



RXA0084718

THIS PARTS LISTING IS CONTINUED

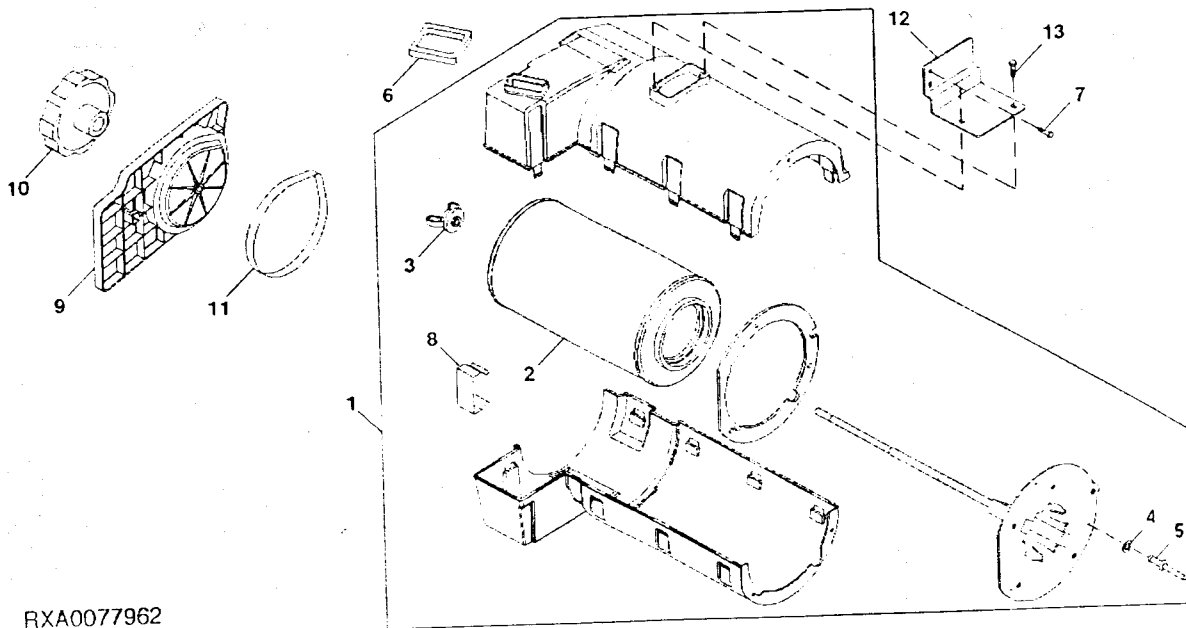
8130, 8230, 8330, 8430, 8530 TRACTORS PC9451 (02-NOV-05)  
PN=886



KEY	PART NO.	PART NAME	QTY	TRACTOR SERIAL NO.	A L L	REMARKS
1	R234556	HOSE	1		X	
2	R234557	LINE	1		X	
3	R170032	RADIATOR HOSE	1		X	
	R220205	HYDRAULIC HOSE	1		X	ATC
4	TY22328	BULK HOSE	1		X	(SUB FOR R170027) 1748 MM
	R220204	HYDRAULIC HOSE	1		X	ATC
5	R246026	LINE	1		X	(SUB FOR R220203) 300 MM
6	TY22328	BULK HOSE	6		X	
7	R117721	CLAMP	1		X	
8	R134646	RADIATOR HOSE	1		X	(ATC)
	R210115	HOSE	1		X	
9	R187320	RADIATOR HOSE	1		X	
10	R186697	GROMMET	4		X	
11	R202160	CLAMP	1		X	
12	R223864	HOSE	2		X	M8 X 60
13	37M7108	SCREW	2		X	
14	R243511	PLATE	2		X	
15	R243510	CLAMP	1		X	
16	RE67207	FITTING	1		X	15.300 X 2.200 MM
17	51M7043	O-RING	1		X	

RESH AIR FILTER HOUSING  
 ILTRE A AIR FRAIS, BOITIER  
 RISCHLUFT-FILTERGEHAEUSE  
 LLOGGIAMENTO DEL FILTRO ANTINQUINAMENTO  
 AJA DE FILTRO DE AIRE FRESCO  
 RISKLUFFILTERDOSA

XA0077962 UN-26OCT04



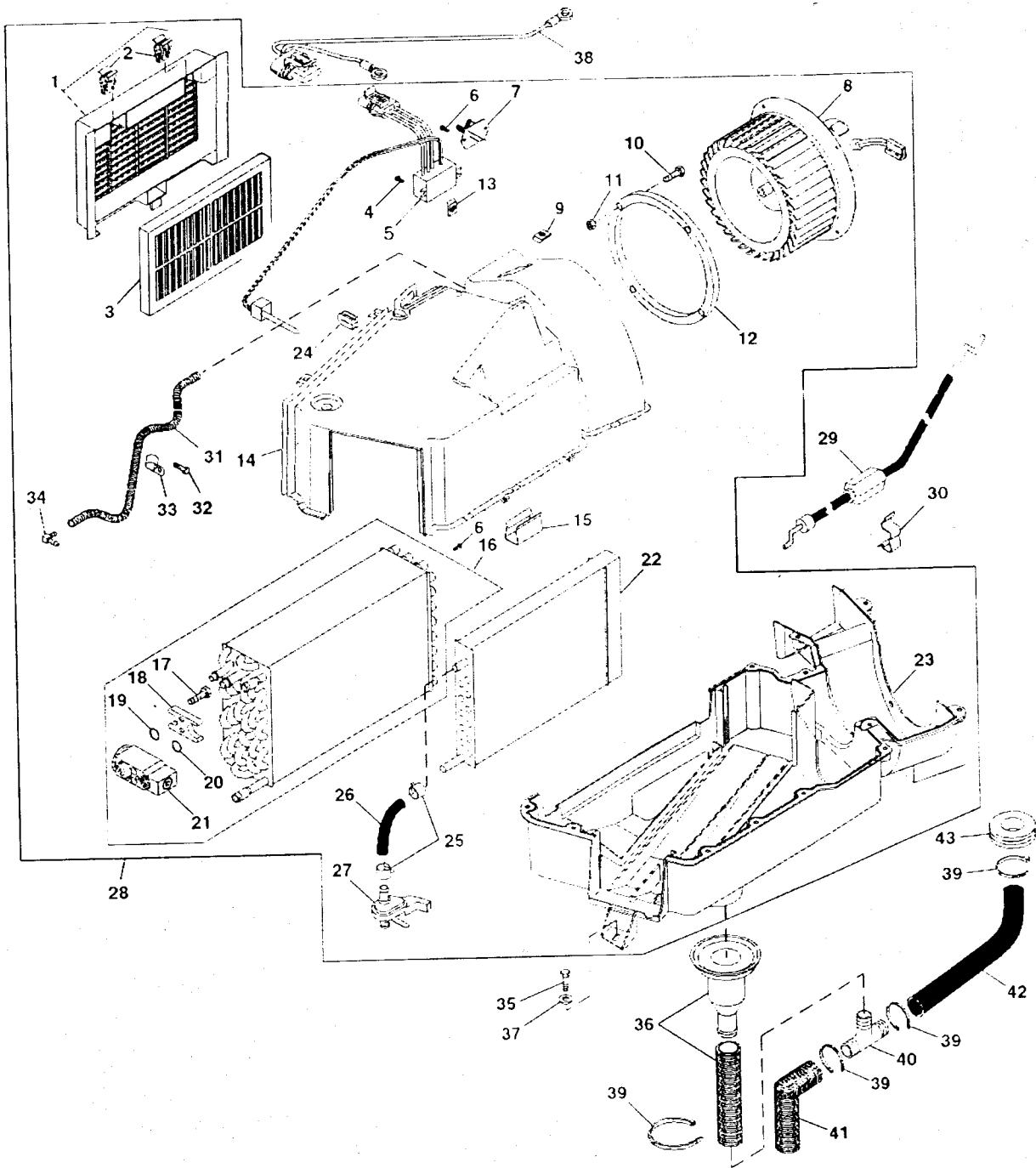
RXA0077962

KEY	PART NO.	PART NAME	QTY.	CAB SERIAL NO.	A L L	REMARKS
1	RE196534	MODULE	1		X	
2	RE24619	AIR FILTER	1		X	
3	R131394	WING NUT	1		X	3/8"
4	24M7087	WASHER	3		X	5.500 X 10 X 1 MM
5	16M7099	RIVET	3		X	5 MM
6	R135056	GASKET	1		X	
7	37M7087	SCREW	2		X	
8	R96248	CLIP	9		X	(SUB R251098)
9	R193696	COVER	1		X	
10	RE237356	KNOB	1		X	
11	R194115	GASKET	1		X	
12	R224363	BRACKET	1		X	
13	M117141	SCREW	2		X	

KEY	PART NO.	PART NAME	QTY.	TRACTOR SERIAL NO.	A L L	REMARKS
1	RE208432	LOUVER	1		X	
2	RE203675	AIR DUCT	1		X	
3	RE191541	KNOB	1		X	
4	RE190897	AIR DUCT	1		X	
5	R124495	SEAL	1		X	
6	R170127	AIR DUCT	1		X	
7	RE157244	LOUVER	1		X	
8	R64822	NUT	1		X	
9	37M7089	SCREW	1		X	M5 X 12
10	R50499	SCREW	1		X	
11	R124238	AIR DUCT	1		X	
12	M84972	NUT	2		X	
13	37M7047	SCREW	2		X	M5 X 12
14	24M7139	WASHER	2		X	6.400 X 18 X 1.600 MM
15	37M7089	SCREW	2		X	M6 X 12
16	RE179743	ACTUATOR	1		X	
17	37M7235	SCREW	3		X	
18	RE191647	AIR FLOW TUBE	1		X	(A)
		SEAL	AR		X	(MAKE FROM R83066)

HEATER/AIR CONDITIONING MODULE ASSEMBLY (MANUAL)  
 MODULE CHAUFFAGE/CLIMATISATION (MANUEL)  
 HEIZUNG/KLIMAANLAGEN-MODUL (MANUELLE)  
 MODULO DEL RISCALDATORE/AIR CONDIZIONATA (MANUALE)  
 MÓDULO DE CALEFACCION/CONDICIONAMIENTO DE AIRE (MANUAL)  
 WÄRMEEPPARAT/LUFTKONDITIONERING, MODUL (MANUELL)

XA0083603 -UN-29AUG05



RXA0083603

THIS PARTS LISTING IS CONTINUED

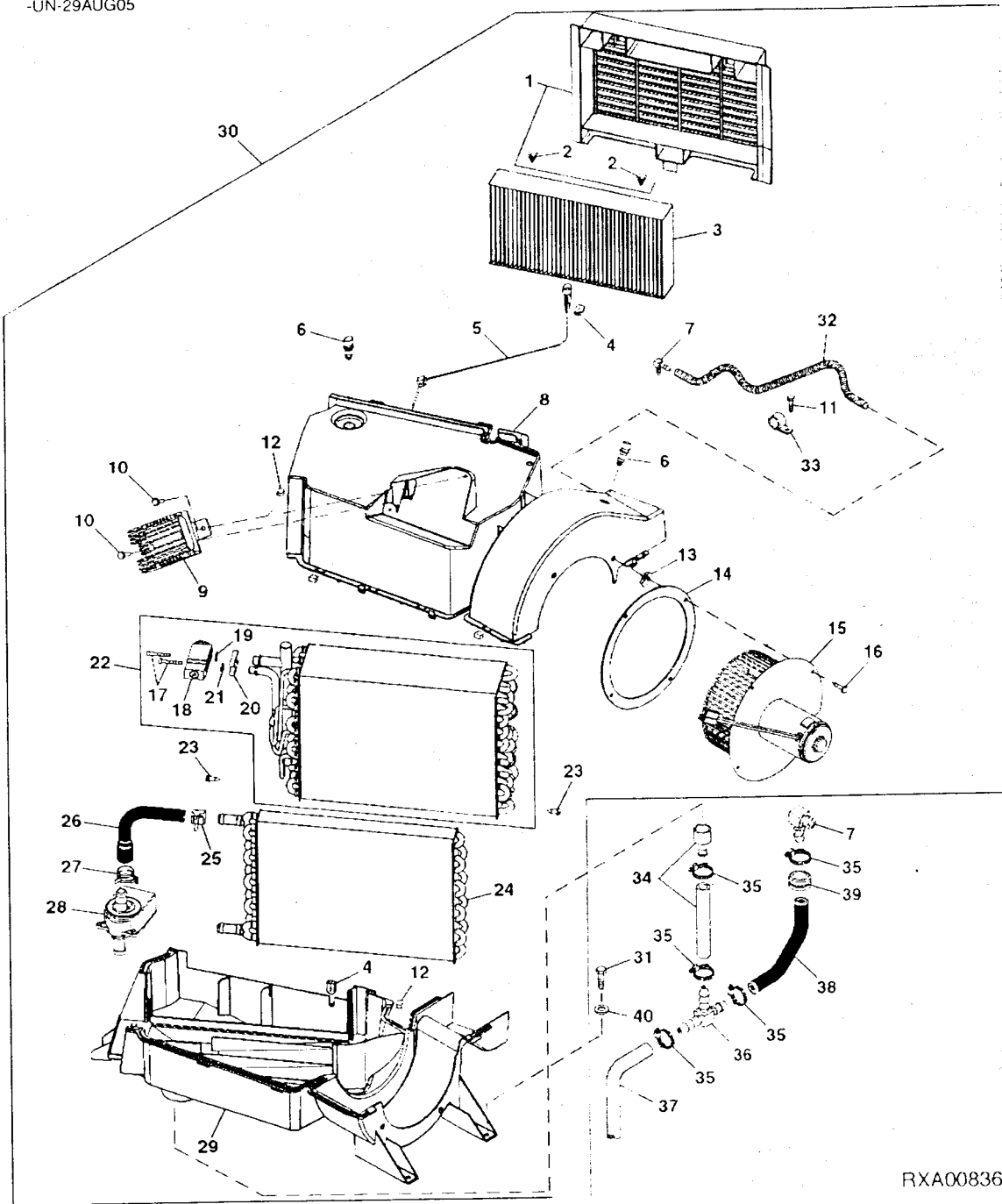
8130, 8230, 8330, 8430, 8530 TRACTORS PC9451 (16-MAR-06) PN-892

KEY	PART NO.	PART NAME	QTY.	TRACTOR SERIAL NO.	A L	REMARKS
1	RE163675	BEZEL	1		X	
2	R120160	CLIP	2		X	
3	RE187966	AIR FILTER	1		X	
4	H85092	SCREW	2		X	
5	RE244318	SWITCH	1		X	
6	37M7073	SCREW	6		X	
7	RE49636	RESISTOR	1		X	
8	RE208336	MOTOR	1		X	
9	M74782	NUT	2		X	
10	T178251	CAP SCREW	4		X	HS 10.9
11	M84972	NUT	4		X	
12	R162769	SEAL	1		X	
13	R50279	NUT	2		X	
14	R190722	HOUSING	1		X	
15	R96248	CLIP	11		X	
16	RE187311	EVAPORATOR	1		X	
17	PT11778	BOLT	2		X	
18	L77943	PLATE	1		X	
19	R113050	O-RING	1		X	
20	R33259	O-RING	1		X	
21	RE174764	VALVE	1		X	
22	RE177967	HEATER	1		X	
23	R244664	HOUSING	1		X	
24	R163985	GROMMET	1		X	
25	T184924	HOSE CLAMP	1		X	
26	R125454	RADIATOR HOSE	1		X	
27	AT193500	HAND OPERATED VALVE	1		X	(A)
28	RE244313	MODULE	1		X	
29	RE58614	PUSH PULL CABLE	1		X	
30	M7322	CLIP	1		X	
32	T184620	SCREW	1		X	
33	R222727	HOSE CLAMP	1		X	
34	R237040	HOSE FITTING	1		X	
35	37M7091	SCREW	3		X	
36	RE220511	LINE	1		X	
37	24M7100	WASHER	3		X	6.600 X 22 X 2 MM
38	RE244317	WIRING HARNESS	1		X	
39	R44302	TIE BAND	AR		X	
40	R115893	TEE FITTING	1		X	
41	R220513	CONDUIT	1		X	
42	R222176	HOSE	1		X	
43	R115350	GROMMET	1		X	

(A) WATER  
EAU  
WASSER  
ACQUA  
AGUA  
VATTEN

HEATER/AIR CONDITIONING MODULE ASSEMBLY (ATC)  
MODULE CHAUFFAGE/CLIMATISATION (ATC)  
HEIZUNG/KLIMAAANLAGEN-MODUL (ATC)  
MODULO DEL RISCALDATORE/ARIA CONDIZIONATA (ATC)  
MODULO DE CALEFACCION/ACONDICIONAMIENTO DE AIRE (ATC)  
VAERMEAPPARAT/LUFTKONDITIONERING,MODUL (ATC)

RXA0083602 -UN-29AUG05



RXA0083602

THIS PARTS LISTING IS CONTINUED

KEY	PART NO.	PART NAME	QTY	TRACTOR SERIAL NO.	A L L	REMARKS
1	RE163675	BEZEL	1		X	
2	R120160	CLIP	2		X	
3	RE187966	AIR FILTER	1		X	
4	R163985	GROMMET	1		X	
5	RE65814	SENSOR	1		X (B)	
6	RE187654	SENSOR	2		X (C)	
7	R237040	HOSE FITTING	1		X	
8	R191491	HOUSING	1		X	
9	RE206073	DRIVER	1		X	
10	R231858	CAP SCREW	2		X	
11	T184620	SCREW	1		X	
12	R96248	CLIP	10		X	
13	M84972	NUT	4		X	
14	R162769	SEAL	1		X	
15	RE208337	MOTOR	1		X (A)	
16	T178251	CAP SCREW	4		X	
17	PT11778	BOLT	2		X	
18	RE174764	VALVE	1		X (D)	
19	R113050	O-RING	1		X	
20	L77943	PLATE	1		X	
21	R33259	O-RING	1		X	
22	RE187311	EVAPORATOR	1		X	
23	37M7073	SCREW	4		X	
24	RE177967	HEATER	1		X	
25	T184924	HOSE CLAMP	1		X	
26	R191310	RADIATOR HOSE	1		X	
27	R191781	HOSE CLAMP	1		X	
28	RE228002	VALVE	1		X (E)	
29	R244664	HOUSING	1		X	
30	RE244659	MODULE	1		X	
31	37M7001	SCREW	3		X	ME X 25
32						
33						
34	RE220511	LINE	1		X	
35	R44302	TIE BAND	AP		X	
36	R115893	TEE FITTING	1		X	
37	R220513	CONDUIT	1		X	
38	R222176	HOSE	1		X	
39	R115350	GROMMET	1		X	
40	24M7100	WASHER	3		X	6.600 X 22 X 2 MM

(A) W/O BLOWER CAPACITOR  
W/O CONDENSATEUR DE SOUFFLERIE  
W/O GEBLAESEKONDENSATOR  
W/O CONDENSATORE VENTOLA  
W/O CONDENSADOR DEL SOPLADOR  
W/O FLAECTKONDENSATOR

(B) EVAPORATOR  
EVAPORATEUR  
VERDAMPFER  
EVAPORATORE  
EVAPORADOR  
FOERAANGARE

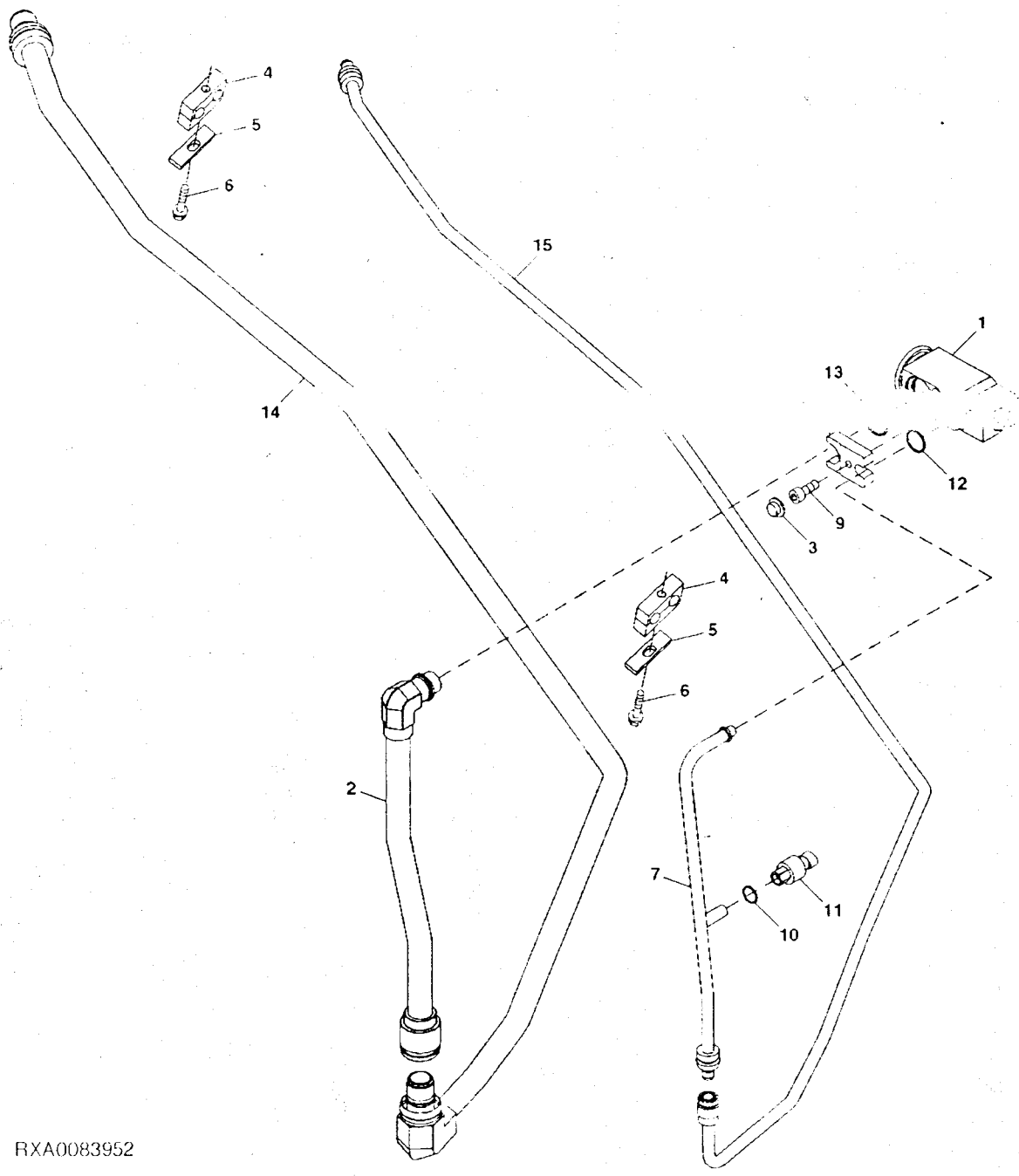
(C) AIR TEMPERATURE  
TEMPERATURE DE L'AIR  
LUFTEMPERATUR  
TEMPERATURA ARIA  
TEMPERATURA DEL AIRE  
LUFTEMPERATUR

(D) EXPANSION  
DETENDEUR  
DEHNSTOFFREGULIERVENTIL  
EXPANSIONE  
EXPANSION  
EXPANSION

(E) WATER  
EAU  
WASSER  
ACQUA  
AGUA  
VATTEN

REFRIGERANT LINES/EXPANSION VALVE ( -XXXXXX)  
 CONDUITES DE REFRIGERANT/SOUPAPE DE DETENTE ( -XXXXXX)  
 KÄLTEMITTELEITUNGEN/EXPANSIONSVENTIL ( -XXXXXX)  
 LINEE REFRIGERANTE/VALVOLA DI ESPANSIONE ( -XXXXXX)  
 LINEAS DE REFRIGERANTE/VALVULA DE EXPANSION ( -XXXXXX)  
 KOELDMEDLESDNINGAR/EXPANSIONSVENTIL ( -XXXXXX)

RXA0083952 -UN-09SEP05



RXA0083952

THIS PARTS LISTING IS CONTINUED



KEY	PART NO.	PART NAME	QTY.	TRACTOR SERIAL NO.	A L L	REMARKS
1	RE174764	VALVE	1		X	
2	RE243505	LINE	1		X	
3	M144685	PLUG	1		X (A)	
4	R243509	HOSE CLAMP	2		X	
5	R243511	PLATE	2		X	
6	37M7108	SCREW	2		X	M8 X 60
7	RE243507	LINE	1		X	
8	R125223	PLATE	1		X	
9	19M8666	SCREW	1		X	M6 X 16
10	R183409	O-RING	AP		X	
11	RE157329	SWITCH	1		X (B)	
	RE190340	TRANSDUCER	1		X (C)	
12	R183409	O-RING	1		X	
13	R183412	O-RING	1		X	
14	RE243506	LINE	1		X	
15	RE243508	LINE	1		X	

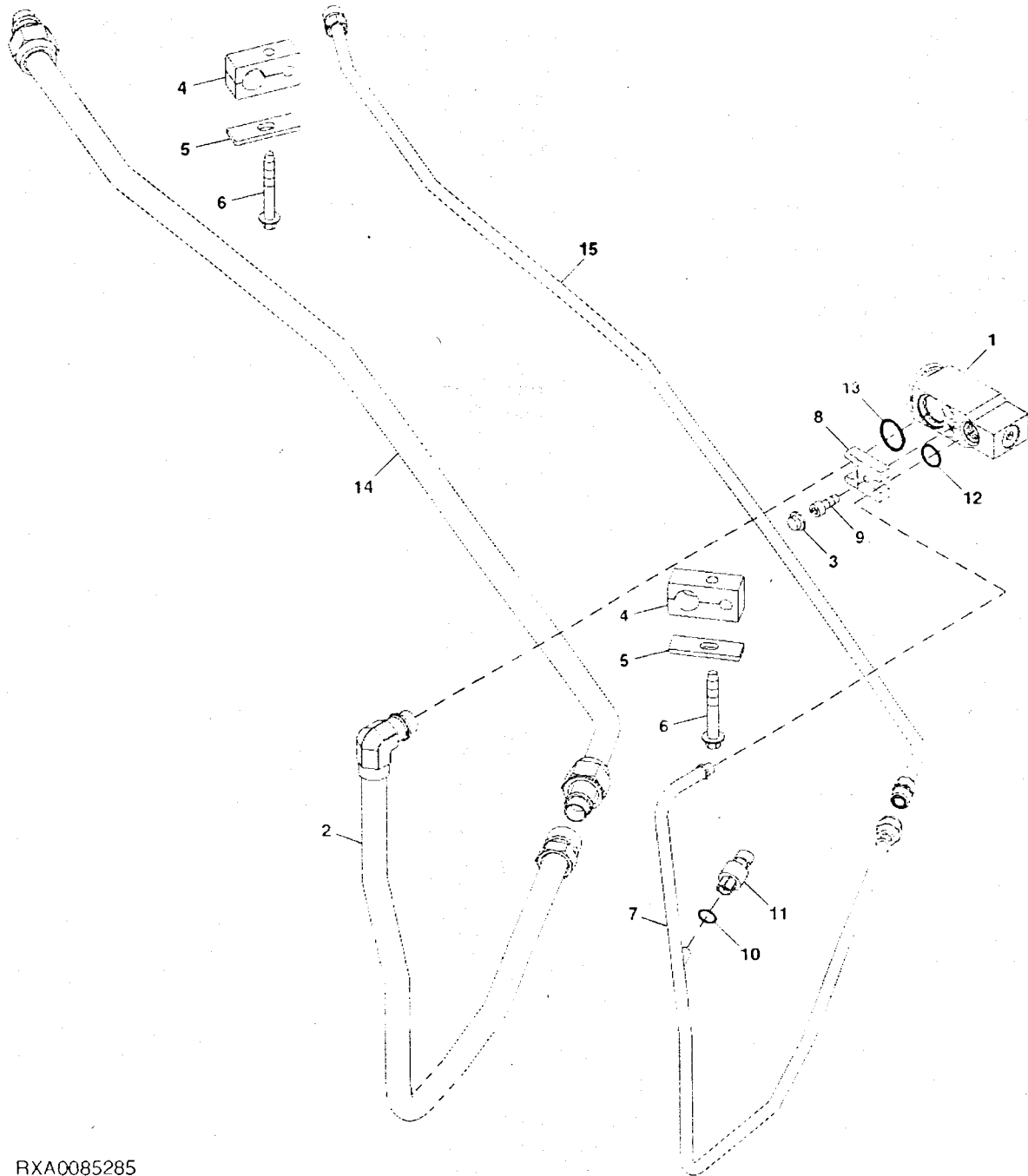
(A) INNER REAR FENDER  
 INTERNE AILE ARRIERE  
 INNEN HINTERER KOTFLUEGEL  
 INTERNO PARAFANGO POSTERIORE  
 INTERIOR GUARDABARROS TRASERO  
 INRE STANKSKARM BAK

(B) STANDARD CAB  
 UNITE DE BASE  
 STANDARD  
 UNITA DE BASE  
 UNIDAD BASICA  
 UTAN LOESA DETALJER

(C) DELUXE CAB  
 CABINE DELUXE  
 LUXUSKABINE  
 CABINA DELUXE  
 CABINA DE LUJO  
 LYXHYTTI

REFRIGERANT LINES/EXPANSION VALVE (XXXXXX- )  
CONDUITES DE REFRIGERANT/SOUPAPE DE DETENTE (XXXXXX- )  
KAELEMITTELEITUNGEN/EXPANSIONSVENTIL (XXXXXX- )  
LINEE REFRIGERANTE/VALVOLA DI ESPANSIONE (XXXXXX- )  
LINEAS DE REFRIGERANTE/VALVULA DE EXPANSION (XXXXXX- )  
KOELDMEDLESLIDNINGAR/EXPANSIONSVENTIL (XXXXXX- )

RXA0085285 -UN-08DEC05



RXA0085285

THIS PARTS LISTING IS CONTINUED

KEY	PART NO.	PART NAME	QTY.	TRACTOR SERIAL NO.	A L L	REMARKS
1	RE174764	VALVE	1		X	
2	RE249968	LINE	1		X	
3	M144685	PLUG	1		X (A)	
4	R243509	HOSE CLAMP	2		X	
5	R243511	PLATE	2		X	
6	37M7108	SCREW	2		X	M8 X 60
7	RE249965	LINE	1		X	
8	R125223	PLATE	1		X	
9	19M8666	SCREW	1		X	M6 X 16
10	R183409	O-RING	AR		X	
11	RE157329	SWITCH	1		X (B)	
	RE190340	TRANSDUCER	1		X (C)	
12	R183409	O-RING	1		X	
13	R183412	O-RING	1		X	
14	RE249966	LINE	1		X	
15	RE249964	LINE	1		X	

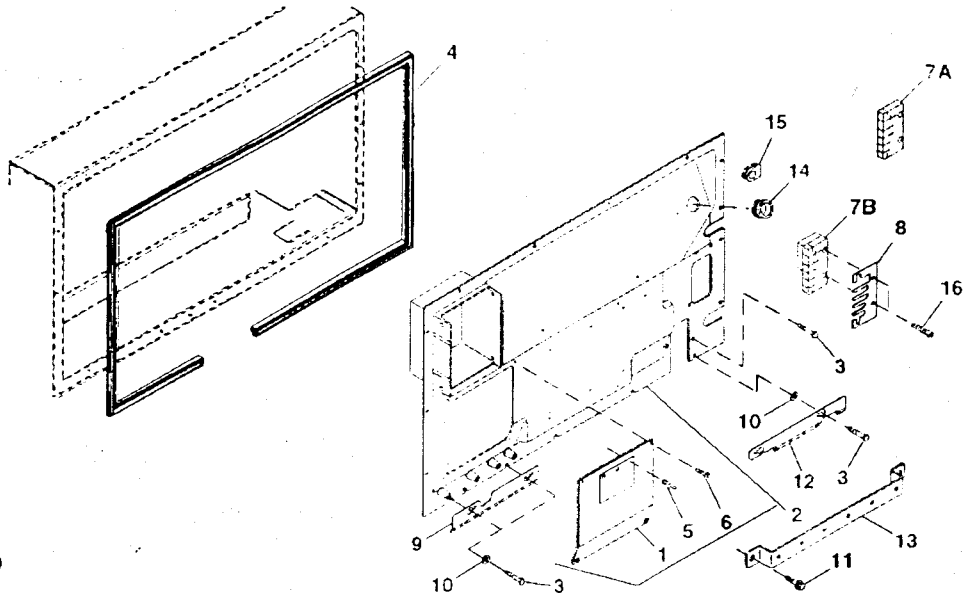
(A) INNER REAR FENDER  
 INTERNE AILE ARRIERE  
 INNEN HINTERER KOTFLUEGEL  
 INTERNO PARAFANGO POSTERIORE  
 INTERIOR GUARDABARROS TRASERO  
 INRE STANKSKARM BAK

(B) STANDARD CAB  
 UNITE DE BASE  
 STANDARD  
 UNITA DE BASE  
 UNIDAD BASICA  
 UTAN LOESA DETALJER

(C) DELUXE CAB  
 CABINE DELUXE  
 LYXSKABIN  
 CABINA DELUXE  
 CABINA DE LUJO  
 LYXHYYT

HEATER/AIR CONDITIONING COMPARTMENT COVER  
 COUVERCLE DE COMPARTIMENT CHAUFFAGE/CLIMATISATION  
 HEIZUNG/KLIMAALAGEN-RAUMABDECKUNG  
 COPERCHIO DEL COMPARTIMENTO DEL RISCALDATORE/ARIA CONDIZIONATA  
 TAPA DEL COMPARTIMENTO DE CALEFACCION/ACONDICIONAMIENTO DE AIRE  
 VAERMEAPPARAT/LUFTKONDITIONERING,SKYDD FOER UTRYMME

RXA0086030 -UN-23JAN06

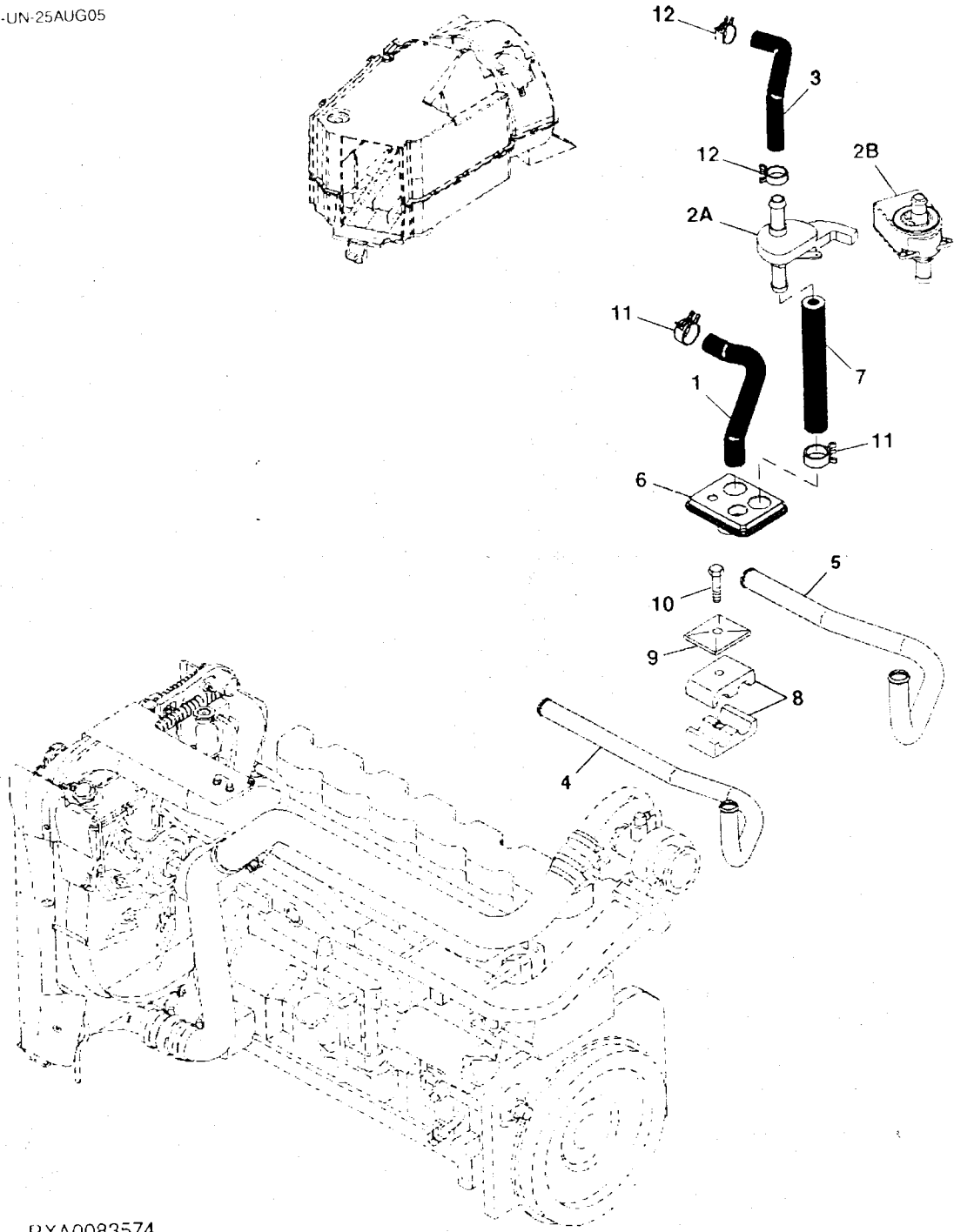


RXA0086030

KEY	PART NO.	PART NAME	QTY.	CAB SERIAL NO.	A L L	REMARKS
1	RE65502	COVER	1		X	(INCLUDES (3) L39134)
2	RE248633	COVER	1		X	(SUB RE255231)
3	37M7090	SCREW	20		X	M6 X 16
4	.....	SEAL	AR		X	(MAKE FROM (4) R83066)
5	L39134	RIVET	3		X	
6	37M7218	SCREW	4		X	
7A	R212188	SEAL	1	-XXXXXX	X	
7B	RE256371	SEAL	1	XXXXXXXX-	X	
8	R219501	PLATE	1		X	(SUB R256868)
9	R239228	BRACKET	1		^	
10	24M7139	WASHER	4		X	6 400 X 18 X 1.600 MM
11	37M7058	SCREW	2		X	M8 X 20
12	R249271	BRACKET	1		X	
13	R250575	BRACKET	1		X	
14	R71351	GROMMET	1		X	
15	L76331	GROMMET	2		X	
16	37M7298	SCREW	2	XXXXXX-	X	

MEMORANDA  
MEMORANDA  
MEMORANDA  
MEMORANDA  
MEMORANDA  
MEMORANDA

HEATER HOSES  
 TUBES DE CHAUFFAGE  
 HEIZUNGSSCHLAUCH  
 TUBO DEL RISCALDATORE  
 TUBO DE LA CALIFACTOR  
 LANG FOER VAERMEAPPARAT  
 XA0083574 -UN-25AUG05



HXA0083574

KEY	PART NO.	PART NAME	QTY.	TRACTOR SERIAL NO.	A L L	REMARKS
1	R125454	HOSE	1		X	
2A	AT193500	HAND OPERATED VALVE	1		X	
2B	RE228002	VALVE	1		X	ATC
3	R125454	HOSE	1		X	
	R191310	HOSE	1		X	ATC
4	R233219	LINE	1		X	
5	R233220	LINE	1		X	
6	R186697	GROMMET	1		X	
7	R134646	HOSE	1		X	
	R210115	HOSE	1		X	(ATC)
8	R243510	CLAMP	2		X	
9	R243511	PLATE	2		X	
10	37M7108	SCREW	2		X	M6 X 60
11	R117721	CLAMP	4		X	
12	R191781	HOSE CLAMP	2		X	ATC
	T184924	HOSE CLAMP	2		X	

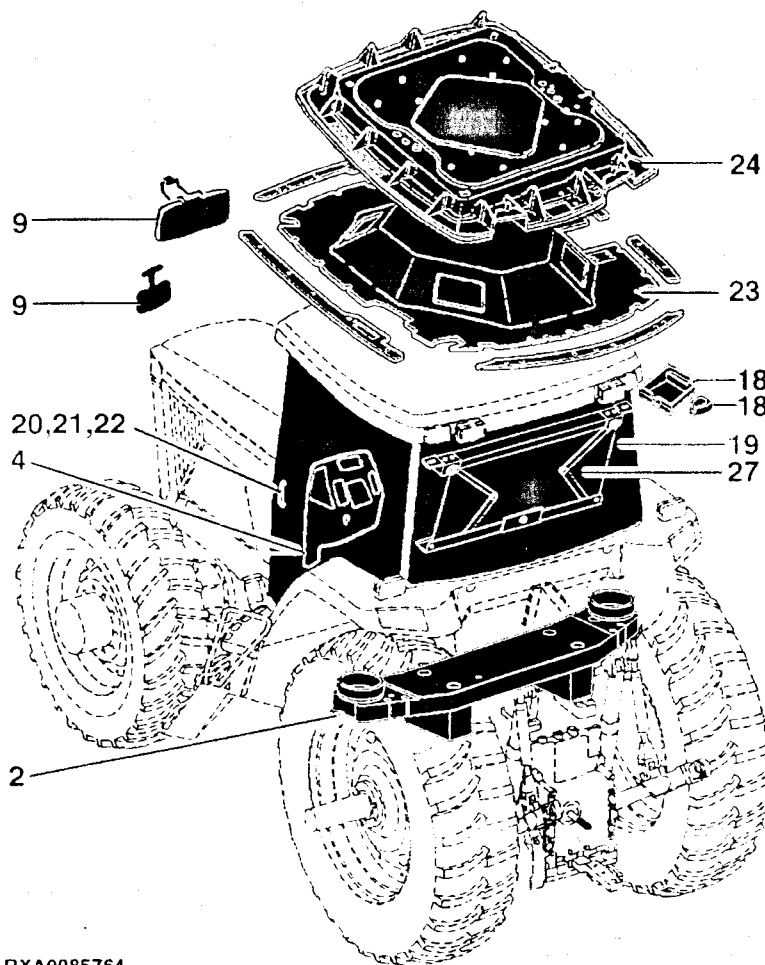
# 91-A01

OPERATOR'S STATION

SECTIONAL INDEX  
 INDEX DE SECTION  
 GRUPPENINDEX  
 INDICE DELLA SEZIONE  
 INDICE DE SECCION  
 GRUPPSFORTECKNING

RXA0085764 -UN-

2-	2
4-	6
9-	16
19-	32
20-	34
21-	36
22-	38
23-	40
24-	41
27-	44
18-	50



RXA0085764



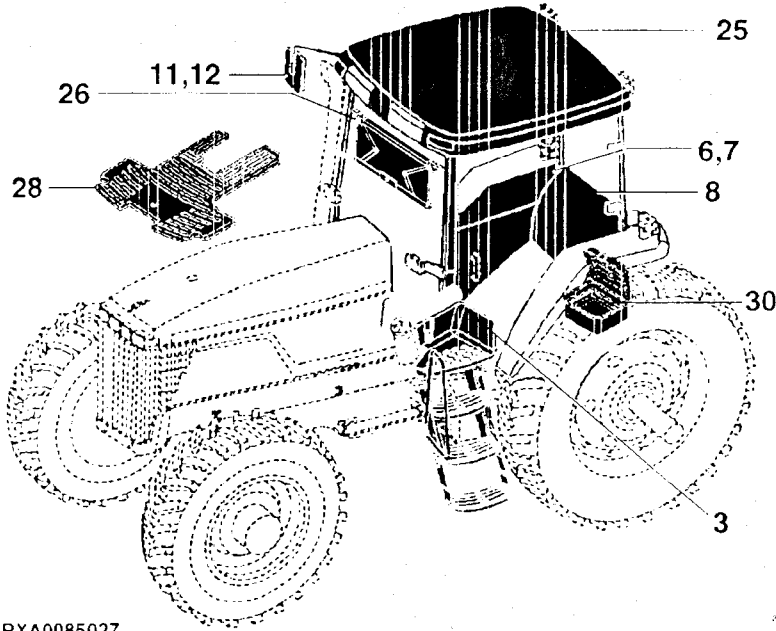
# 91-A02

OPERATOR'S STATION

SECTIONAL INDEX  
INDEX DE SECTION  
GRUPPENINDEX  
INDICE DELLA SEZIONE  
INDICE DE SECCION  
GRUPPSFORTECKNING

RXA0085027 -UN-

3-	4
6-	12
7-	14
8-	15
11-	20
12-	22
25-	42
26-	43
28-	45
30-	43



RXA0085027

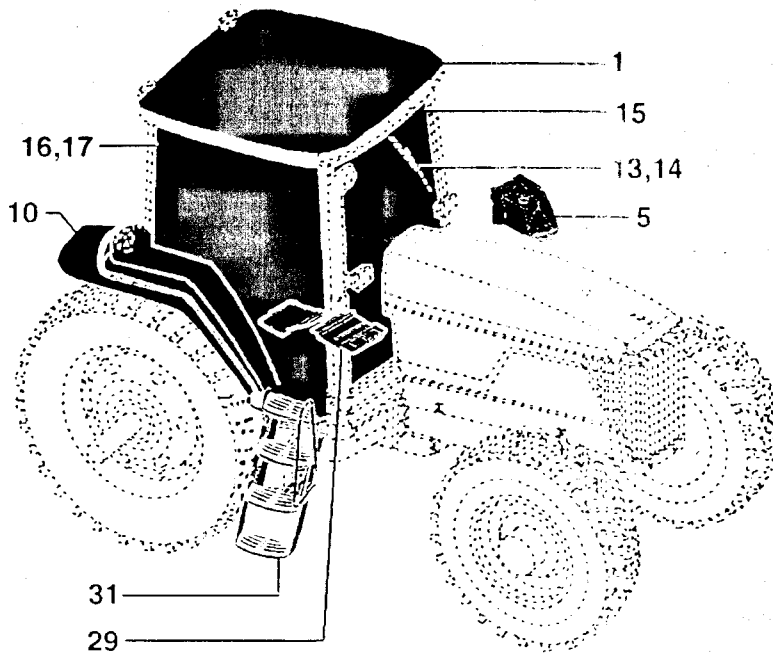
# 91-A03

OPERATOR'S STATION

SECTIONAL INDEX  
INDEX DE SECTION  
GRUPPENINDEX  
INDICE DELLA SEZIONE  
INDICE DE SECCION  
GRUPPSFORTECKNING

RXA0085765 -UN-

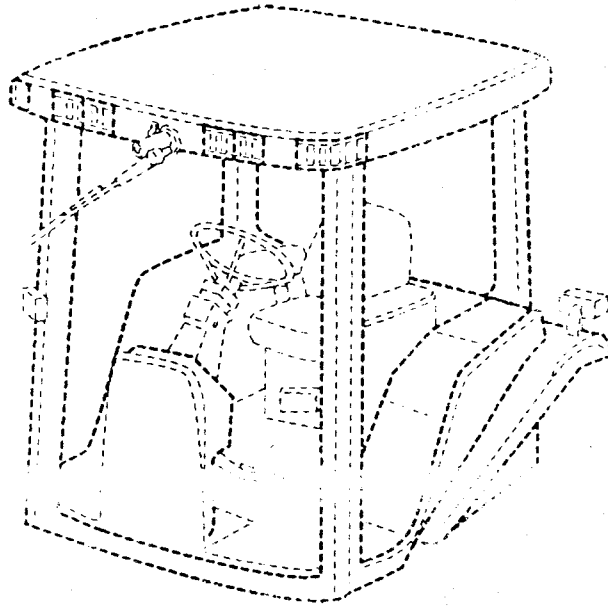
1-	1
31-	6
5-	10
10-	18
13-	24
14-	26
15-	28
16-	30
17-	31
29-	46



RXA0085765

CAB (BASIC UNIT OR FULLY TRIMMED)  
 CABINE (UNITE DE BASE OU COMPLETEMENT EQUIPEE)  
 FAHRERKABINE (STANDARD ODER VOLL AUSGESTATET)  
 CABINA (UNITA DI BASE OPPURE CON ACCESSORI)  
 CABINA (UNIDAD BASICA O COMPLETAMENTE EQUIPADO)  
 HYTT (UTAN LOESA DETALJER ELLER KOMPLETT)

RE028503 -UN-09DEC97



RE028503

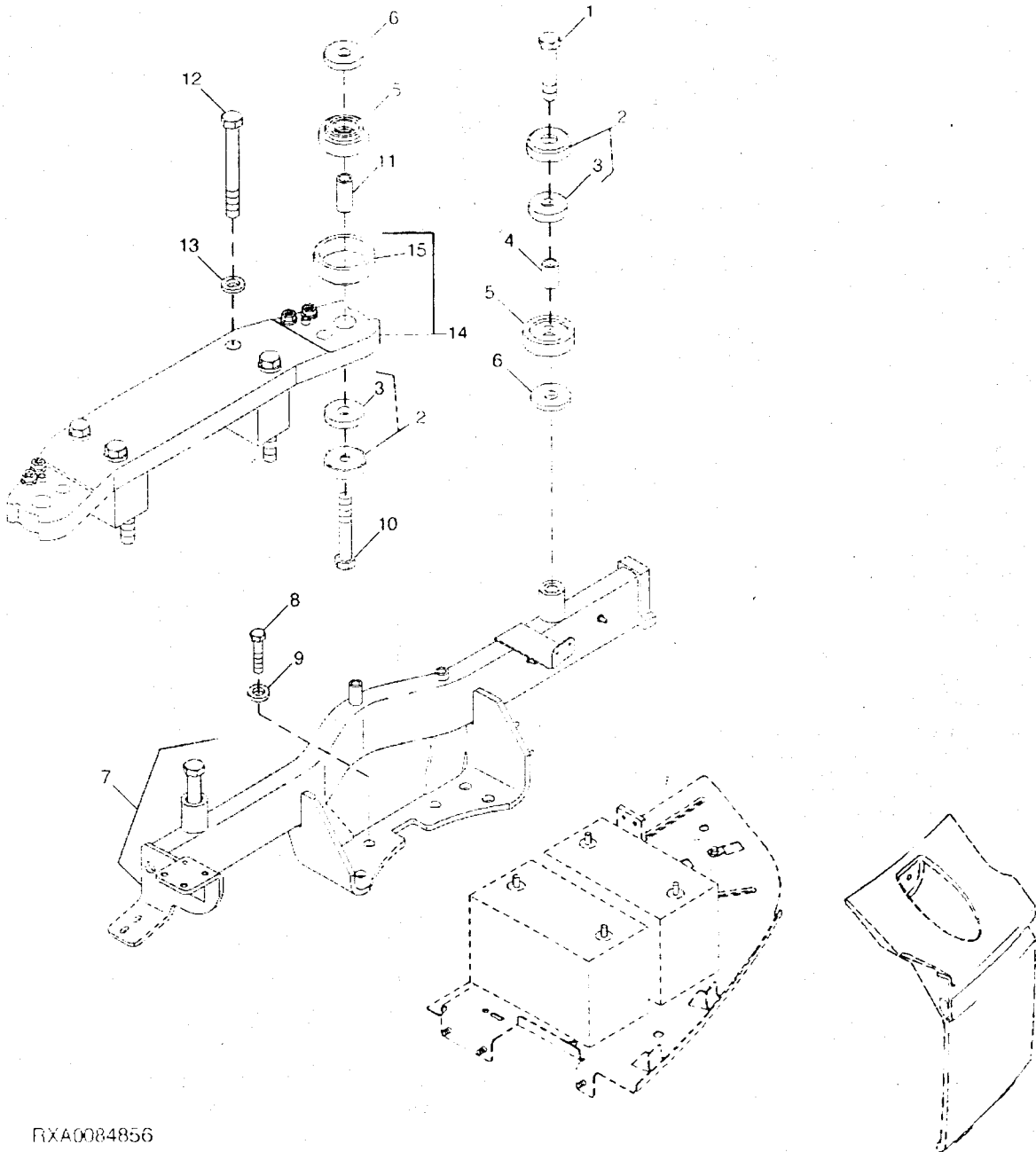
KEY	PART NO.	PART NAME	QTY.	CAB SERIAL NO.	A L L	REMARKS
1	.....	CAB	1		X (A) (B)	

(A) NORTH AMERICAN DEALERS ORDER THROUGH NAAMC  
 LES CONCESSIONNAIRES NORD-AMERICAINS DOIVENT PASSER LES COMMANDES PAR L'INTERMEDIAIRE DU NAAMC  
 NORDAMERIKANISCHE HAENDLER SOLLTEN UEBER DIE NAAMC BESTELLEN  
 I CONCESSIONARI NORD-AMERICANI DEVONO INVIARE GLI ORDINATIVI TRAMITE I L NAAMC  
 LOS CONCESIONARIOS DE NORTEAMERICA DEBEN HACER SUS PEDIDOS A TRAVES DE NAAMC  
 AATERFOERSALJARE I NORDAMERIKA MAASTE HAENVAENDA SIG TILL NAAMC

(B) REPLACEMENT CAB SERVICE PARTS CAN BE FOUND IN THE CATALOG FOR CURRENTLY BUILT TRACTOR  
 LES PIECES DE RECHANGE DE CABINE SE TROUVENT DANS LE CATALOGUE DU TRACTEUR FABRIQUE  
 KABINEN-ERSATZTEILE WERDEN IM KATALOG FUER AKTUELL IN PRODUKTION BEFINDLICHE TRAKTOREN  
 LE PARTI DI RICAMBIO PER LA CABINA SONO REPERIBILI NEL CATALOGO DEL TRATTORE DI FABBRICAZIONE  
 LOS REPUESTOS PARA LA CABINA PUEDEN HALLARSE EN EL CATALOGO CORRESPONDIENTE AL TRACTOR EN  
 UTBYTESDELAR FOER HYTTEN FINNS I KATALOGEN FOER AKTUELLT PRODUCERADE TRAKTORER

CAB MOUNTS  
MONTURES CABINE  
BEFESTIGUNGEN FAHRERKABINE  
SUPPORTI E STAFFE CABINA  
CABINA MONTAJES  
UNDERLAG OCH FAESTEN HYTT

RXA0084856 -UN-02NOV05



RXA0084856

THIS PARTS LISTING IS CONTINUED

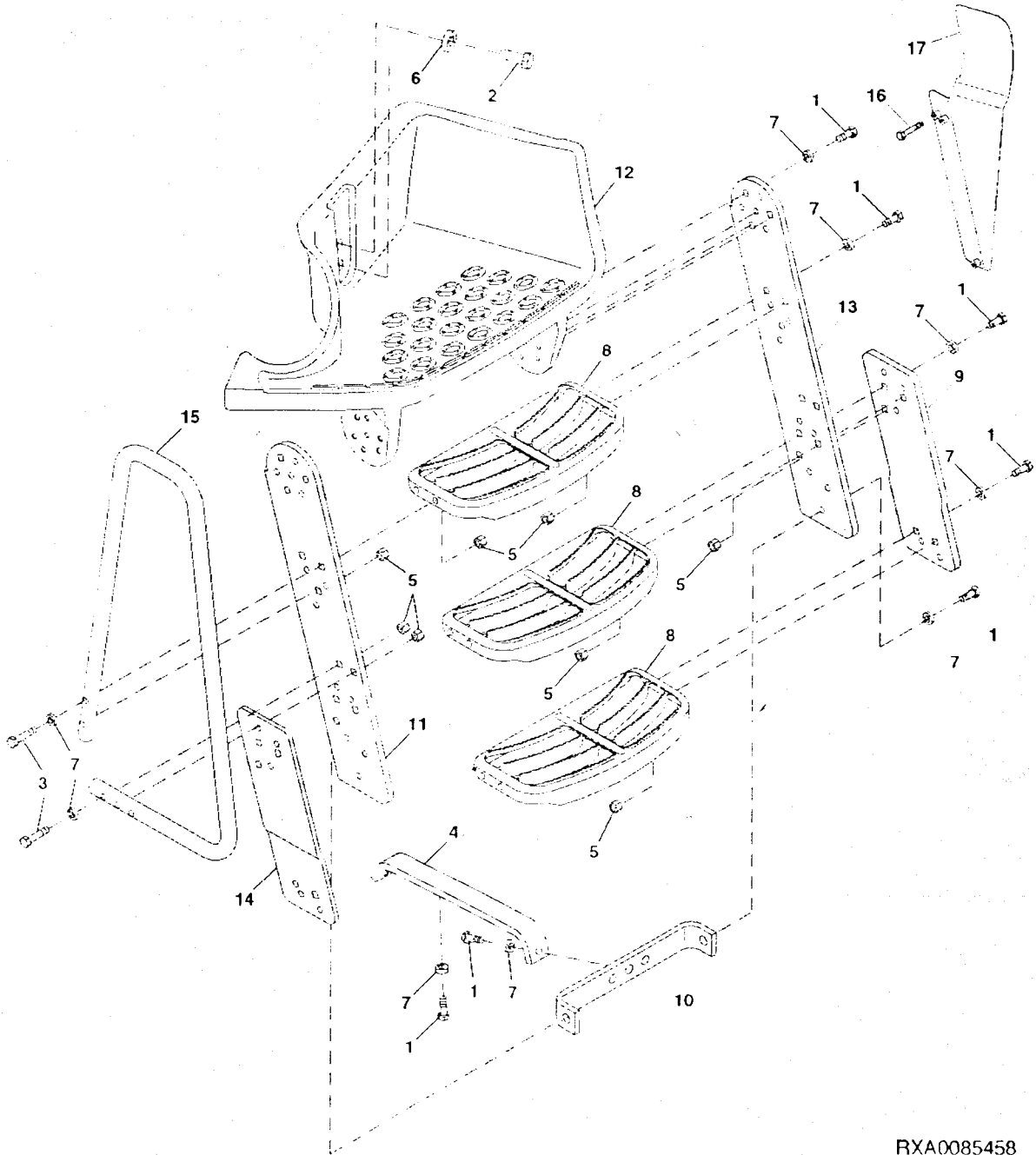
KEY	PART NO.	PART NAME	QTY	TRACTOR SERIAL NO.	A L L	REMARKS
1	19M7903	CAP SCREW	2		X	M24 X 120 HS 10.9
2	RE62901	ISOLATOR	4		X	
3	.....	WASHER	1		X	
4	R235152	SPACER	2		X	
5	RE217825	ISOLATOR	4		X	
6	R87656	WASHER	4		X	
7	RE242367	SUPPORT	1		X	(SUB RE250371)
8	19M9132	CAP SCREW	6		X	M20 X 50, HS 10.9
9	24M7344	WASHER	6		X	22 X 37 X 3 MM
10	19M7893	CAP SCREW	2		X	M24 X 160
11	R221955	SPACER	2		X	
12	19M9147	CAP SCREW	4		X	M24 X 170
13	24M7351	WASHER	4		X	25 X 44 X 4 MM
14	RE228174	SUPPORT	1	-XXXXXX	X	
	RE259417	SUPPORT	1	XXXXXX-	X	
15	R59575	SLEEVE	2		X	

# 91-4

OPERATOR'S STATION

LEFT HAND STEP  
MARCHEPIED GAUCHE  
LINKE STUFEN  
GRADINI DI SINISTRA  
PELDANOS DEL LADO  
VAENSTER FOTSTEG

RXA0085458 -UN-13DEC05



RXA0085458

THIS PARTS LISTING IS CONTINUED

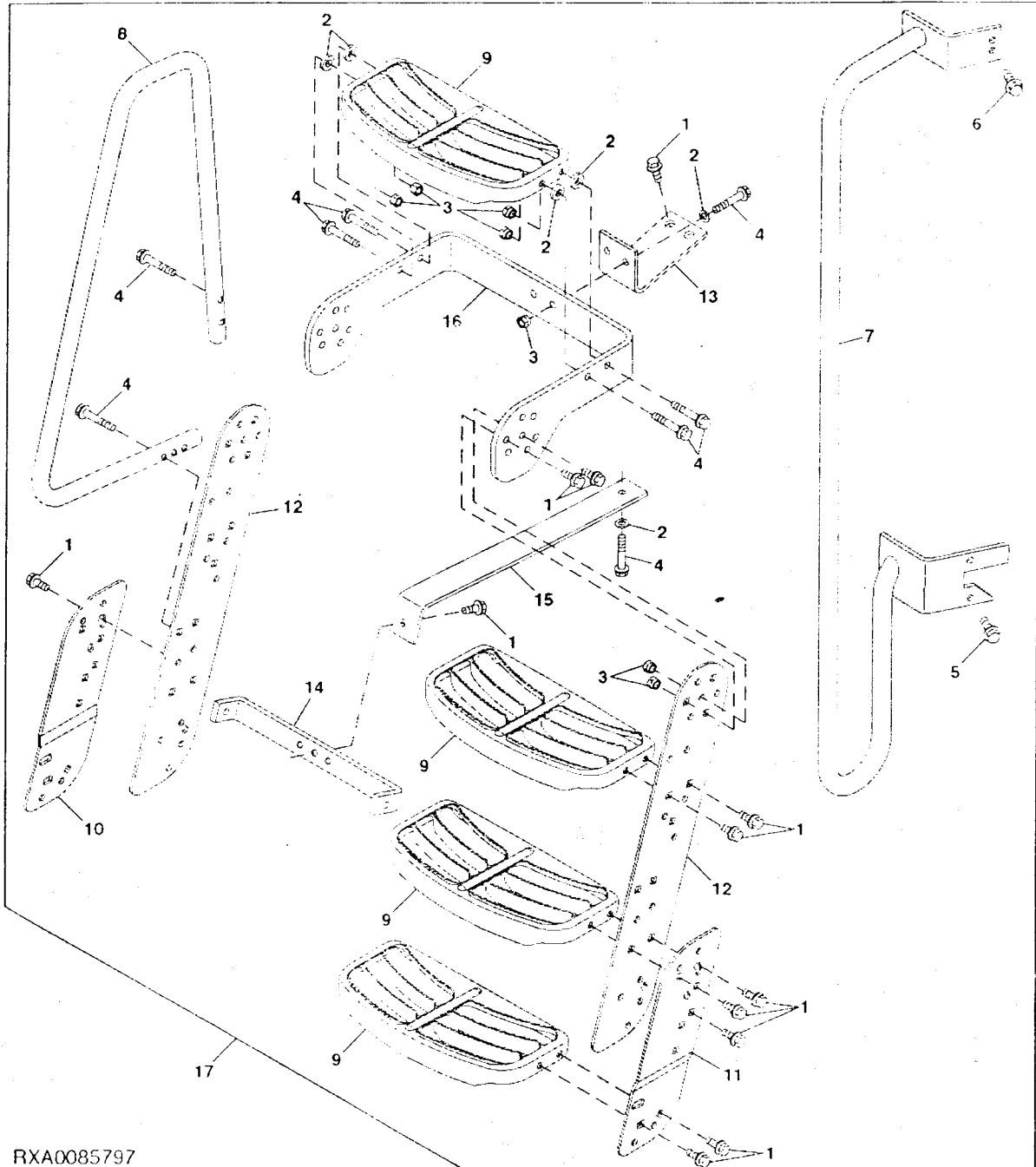
# 91-5

OPERATOR'S STATIO:

KEY	PART NO.	PART NAME	QTY.	CAB SERIAL NO.	A L L	REMARKS
1	19M7785	SCREW	23		X	M10 X 25, HS 10.9
2	19M7488	CAP SCREW	2		X	M16 X 40, HS 10.9
3	19M7805	SCREW	4		X	M10 X 45, HS 10.9
4	R221083	SUPPORT	1		X	
5	14M7517	LOCK NUT	17		X	M10
6	24M7241	WASHER	2		X	17 X 34 X 4 MM
7	24M7346	WASHER	28		X	11 X 20 X 2 MM
8	R151799	STEP	3		X	
9	R222839	PLATE	1		X	
10	R221082	BRACE	1		X	
11	R214673	PLATE	1		X	
12	R171834	PLATFORM	1		X	
13	R214673	PLATE	1		X	
14	R222840	PLATE	1		X	
15	R203354	HANDRAIL	1		X	
16	19M7784	SCREW	3		X	M10 X 20, HS 10.9
17	RE205743	GUARD	1		X	

RIGHT HAND STEP  
MARCHEPIED DE DROITE  
RECHTE STUFE  
PREDELLINO DESTRO  
PELDANO DERECHO  
HOEGER FOTSTEG

RXA0085797 -UN-10JAN06



RXA0085797

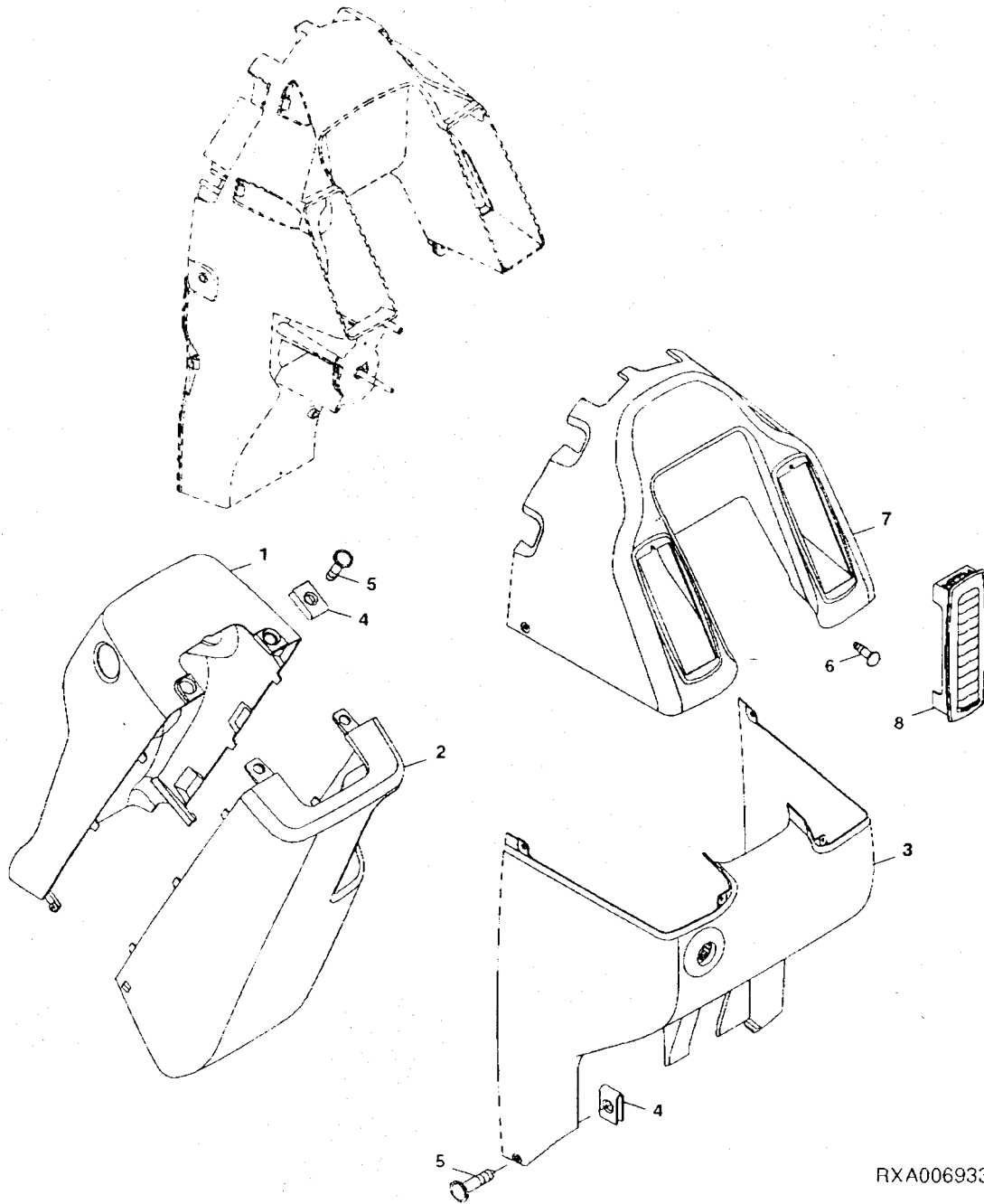
THIS PARTS LISTING IS CONTINUED



KEY	PART NO.	PART NAME	QTY.	CAB SERIAL NO.	A L L	REMARKS
1	19M7785	SCREW	24		X	M10 X 25, HS 10.9
2	24H1886	WASHER	7		X	15/32" X 1-1/8" X 0.180"
3	14M7517	LOCK NUT	29		X	M10
4	19M7805	SCREW	11		X	M10 X 45, HS 10.9
5	37M7265	SCREW	2		X	M8 X 25
6	37M7137	SCREW	2		X	M8 X 30
7	RE194037	HANDRAIL	1		X	
8	R203354	HANDRAIL	1		X	
9	R151799	STEP	4		X	
10	R222840	PLATE	1		X	
11	R222839	PLATE	1		X	
12	R214673	PLATE	2		X	
13	R193937	BRACKET	1		X	
14	R221082	BRACE	1		X	
15	R255725	BRACE	1		X	
16	R193935	SUPPORT	1		X	
17	RE255767	FIELD INSTALLATION KIT	1		X	

COWL ASSEMBLY  
ENSEMBLE DE CAPOTAGE  
VERKLEIDUNG-BAUGRUPPE  
GRUPPO DEL COFANO  
CONJUNTO DE CUBIERTA DEL MOTOR  
SKYDDSHUVSSATS

RXA0069335 -UN-23JUL03



RXA0069335

THIS PARTS LISTING IS CONTINUED

KEY	PART NO.	PART NAME	QTY.	CAB SERIAL NO.	A L L	REMARKS
1	R241157	COVER	1		X	
	R241158	COVER	1		X (A)	
2	R241156	COVER	1		X	
3	R222162	COWL	1		X	
	R222160	COWL	1		X (B)	
4	R64822	NUT	3		X	
5	37M7148	SCREW	3		X	
6	37M7235	SCREW	2		X	
7	R178679	COWL	1		X	
8	RE179236	LOUVER	1		X	

(A) W/O ETHER COLD WEATHER STARTING AID  
W/O AIDE AU DEMARRAGE A L'ETHER  
W/O AETHER-STARHILFE  
W/O DISP. PER L'AVVIAMENTO A FREDDO CON ETERE  
W/O DISP. PARA FACILITAR EL ARRANQUE EN FRIO CON ETER  
W/O KALLSTART(ETER)

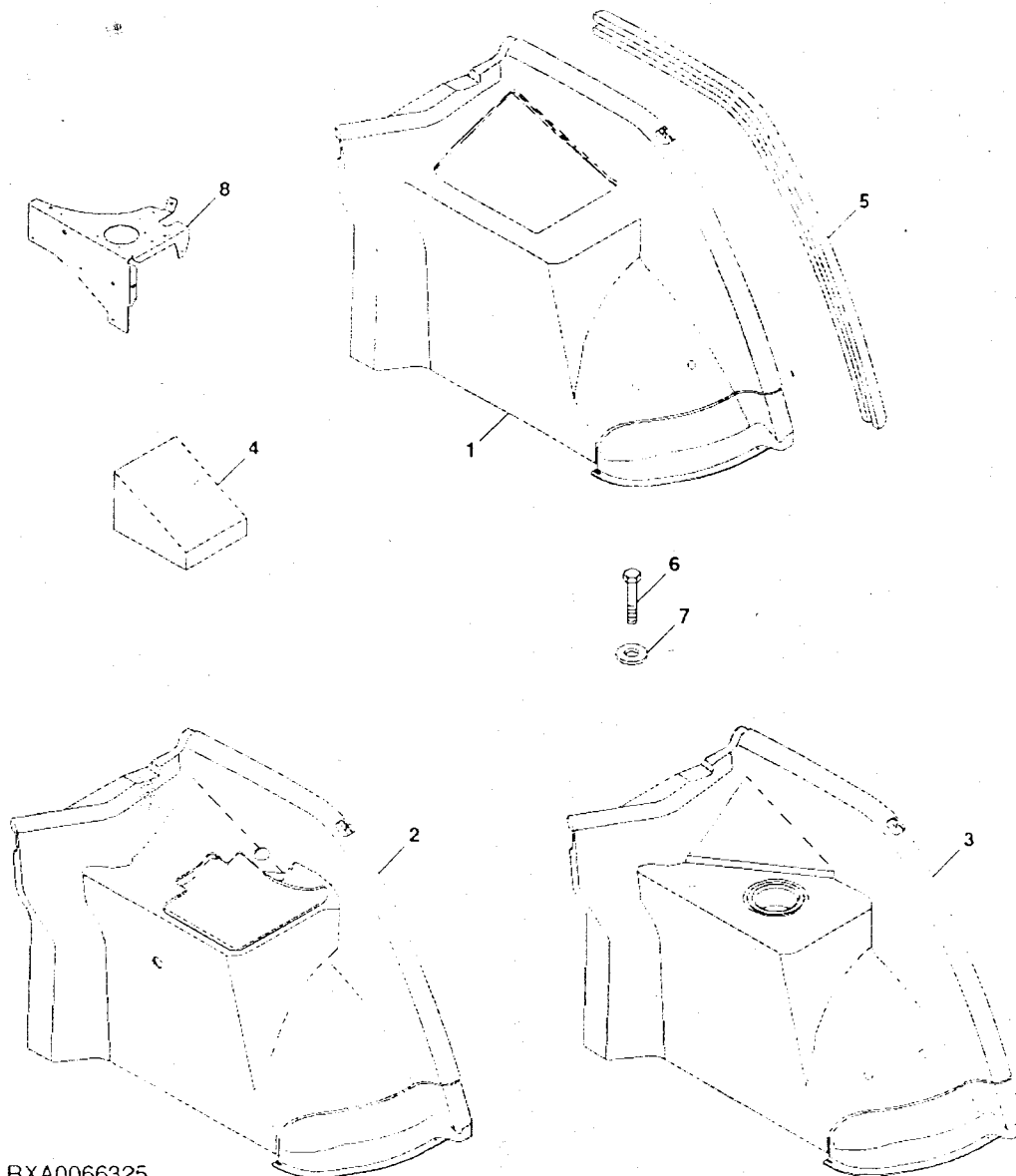
(B) W/ AUTOMATIC TEMPERATURE CONTROL  
W/ COMMANDE DE TEMPERATURE AUTOMATIQUE  
W/ AUTOMATISCHE TEMPERATURREGELUNG  
W/ COMANDO AUTOMATICO DI REGOLAZIONE DELLA TEMPERATURA  
W/ CONTROL DE TEMPERATURA AUTOMATICO  
W/ AUTOMATISK TEMPERATURINSTALLNING

# 91-10

OPERATOR'S STATION

FENDER UPHOLSTERY (CAB)  
SELLERIE-GARNITURE DE GARDE-BOUE (CABINE)  
KOTFLUEGEL-POLSTERUNG (FAHRERKABINE)  
SELLERIA DEL PARAFANGO (CABINA)  
TAPIZADO DEL GUARDABARRO (CABINA)  
STAENKSKAERMSKLAEDSEL (HYTT)

RXA0066325 -UN-24MAR03



RXA0066325

THIS PARTS LISTING IS CONTINUED

KEY	PART NO.	PART NAME	QTY.	TRACTOR SERIAL NO.	A L L	REMARKS
1	RE221543	ACOUSTICAL UPHOLSTERY	1		X (A)	
2	RE221542	ACOUSTICAL UPHOLSTERY	1		X (B)	
3	RE221541	ACOUSTICAL UPHOLSTERY	1		X (C)	
4	R166411	PAD	1		X	
5	RE55367	MOLDING	1		X (SUB R238033)	
6	37M7089	SCREW	2		X 1.6 X 12	
7	24M7136	WASHER	4		X 10.500 X 27 X 2 MM	
8	R184251	BRACKET	1		X	

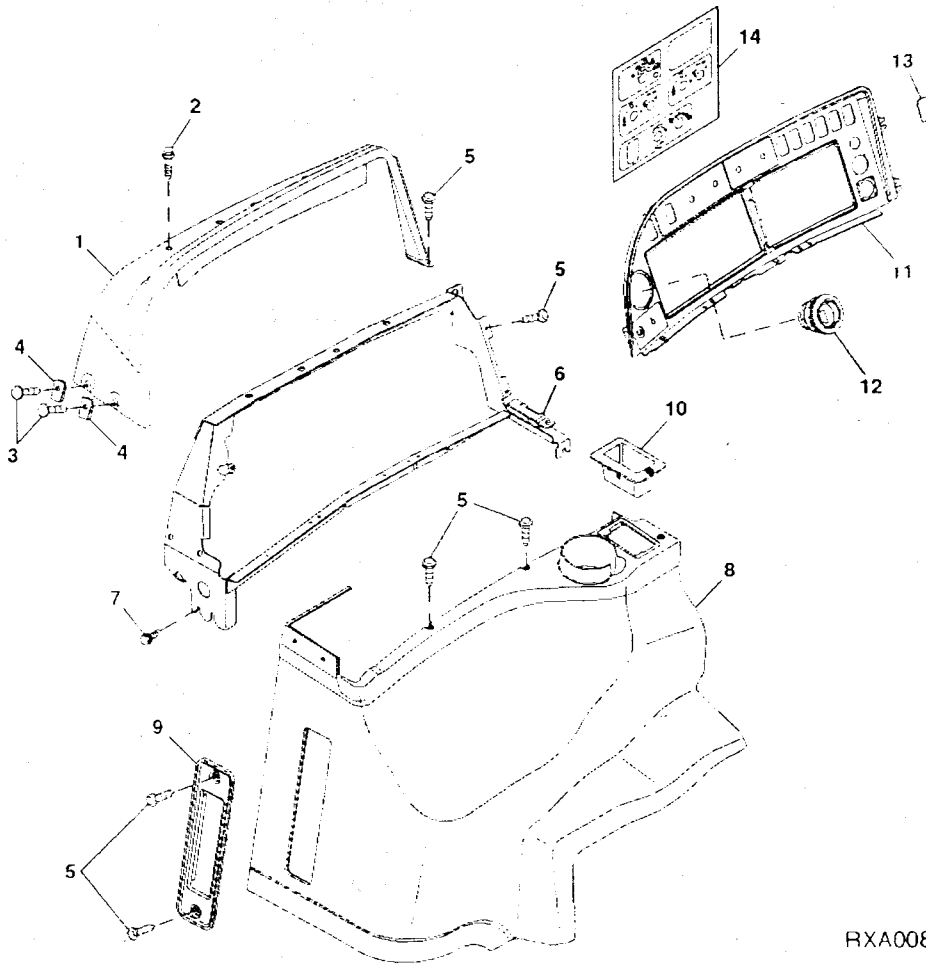
(A)W/ FIELD OFFICE  
W/ BUREAU MOBILE  
W/ BORD-BUERO  
W/ UFFICIO MOBILE  
W/ OFICINA FORTATIL  
W/ TRAKTORKONTOR

(B)INSTRUCTIONAL SEAT  
SIEGE D'INSTRUCTEUR  
SCHULUNGSSITZ  
SEDILE DA ADDESTRAMENTO  
ASIEN TO DE APRENDI  
INSTRUKTOERENS SAETECUPHOLDER

(C)CUP HOLDER  
PORTE-GOBLET  
GETRAENKEHALTER  
PORTASCODELLINO  
PORTASCODELLINO  
MAGGHAALLARE

CONTROL CONSOLE  
 CONSOLE DE COMMANDE  
 BEDIENUNGSKONSOLE  
 CUADRO DE COMANDO  
 CONSOLA DE CONTROL  
 MANOEVERENHET

RXA0086287 -UN-27JAN06



RXA0086287

KEY	PART NO.	PART NAME	QTY.	CAB SERIAL NO.	A L L	REMARKS
1	R185490	CONSOLE	1		X	
2	19M8751	SCREW	4		X	M10 X 16
3	21M7423	SCREW	3		X	M6 X 30
4	M84972	NUT	3		X	
5	37M7384	SCREW	7		X	
6	RE228324	FRAME	1		X	
7	37M7092	SCREW	4		X	M8 X 16
8	RE226720	ACOUSTICAL UPHOLSTERY	1		X	
9	R248569	BEZEL	1		X	(C) (D) (SUB FOR R132287)
	R248571	BEZEL	1		X	(E)
10	R212866	INSERT	1		X	
11	R222223	BEZEL	1	001744	X	(A)
	RE256146	KIT	1	001745-	X	(A) (INCLUDES RE256148 AND N202894)
	R222221	BEZEL	1	001744	X	(B)
	RE256144	KIT	1	001745-	X	(B) (INCLUDES RE256148 AND N202894)
12	RE191648	LOUVER	1		X	
13	M115279	PLUG	AR	001744	X	
	N202894	PLUG	AR	001745-	X	
14	RE256148	KIT	1	001745-	X	

(A) W/ MANUAL AIR CONDITIONING  
 W/ CLIMATISATION MANUELLE  
 W/ MANUELLE KLIMAANLAGE  
 W/ CONDIZIONATORE MANUALE  
 W/ AIRE ACONDICIONADO MANUAL  
 W/ MANUELL LUFTKONDITIONERING

(B) W/ AUTOMATIC TEMPERATURE CONTROL  
 W/ COMMANDE DE TEMPERATURE AUTOMATIQUE  
 W/ AUTOMATISCHE TEMPERATURREGELUNGNDER  
 W/ COMANDO AUTOMATICO DI REGOLAZIONE DELLA TEMPERATURA  
 W/ CONTROL DE TEMPERATURA AUTOMATICO  
 W/ AUTOMATISK TEMPERATURINSTALLNING

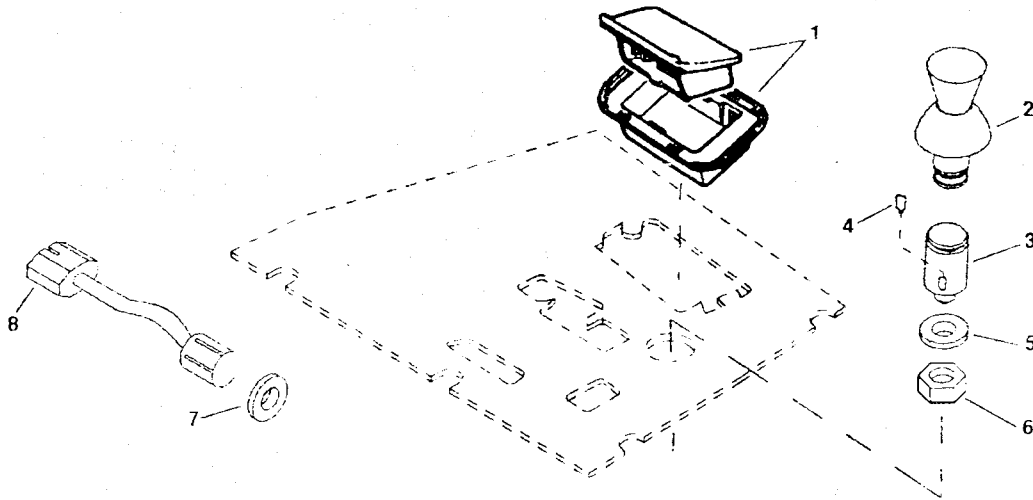
(C) W/ POWER STRIP  
 W/ MULTIPRISE  
 W/ MEHRFACH-STECKDOSE  
 W/ BASETTA DI ALIMENTAZIONE  
 W/ TIRA DE CONEXION DE ALIMENTACION  
 W/ UTTAGSPLINT

(D) DELUXE CAB  
 CABINE DELUXE  
 LUXUSKABINE  
 CABINA DELUXE  
 CABINA DE LUJO  
 LYXHYTT

(E) STANDARD CAB  
 UNITE DE BASE  
 STANDARD  
 UNITA DE BASE  
 UNIDAD BASICA  
 UTAN LOESA DETALJER

ASHTRAY AND LIGHTER  
 CENDRIER ET ALLUME-CIGARE  
 ASCHENBECHER UND ZIGARRENANZUENDER  
 PORTACENERE E ACCENDISIGARI  
 CENICERO Y ENCENDEDOR  
 ASKKOPP OCH TAENDARE

RE028826 -UN-16FEB98



RE028826

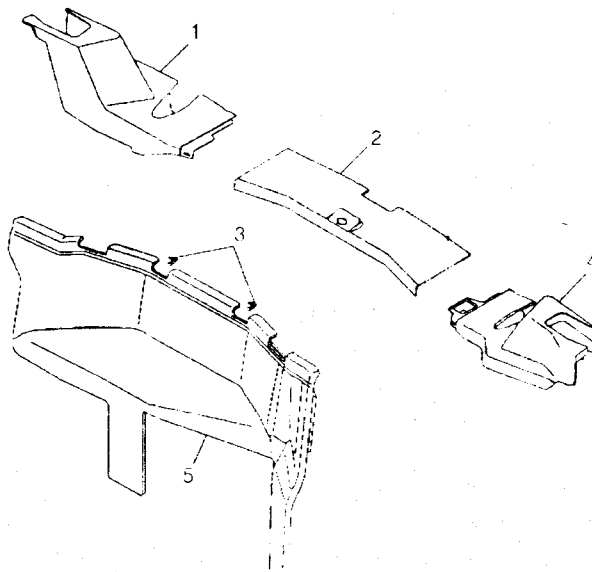
KEY	PART NO.	PART NAME	QTY	CAB SERIAL NO.	A L L	REMARKS
1	AH104259	ASHTRAY	1		X	
	R212866	INSERT	1		X (A)	
2	AR60937	ELECTRICAL LIGHTER	1		X	
	R131671	PLUG	1		X (A)	
3	AR56766	HOUSING	1		X	
4	57M7102	BULB	1		X	
5	12M7084	LOCK WASHER	1		X	4.300 MM
6	14H605	NUT	2		X	0.164"
7	24H1691	WASHER	2		X	7/8" X 1-23/64" X 0.048"
8	RE67014	ADAPTER FITTING	1		X	

(A) W/O ASHTRAY AND LIGHTER  
 CENDRIER ET ALLUME-CIGARE  
 W/O ASCHENBECHER UND ZIGARRENANZUENDER  
 W/O PORTACENERE E ACCENDISIGARI  
 W/O CENICERO Y ENCENDEDOR  
 W/O ASKKOPP OCH TAENDARE



REAR UPHOLSTERY  
 SELLERIE-GARNITURE ARRIERE  
 HECKPOLSTERIORE  
 SELLERIA POSTERIORE  
 TAPIZADO TRASERO  
 BAKRE KLAEDSEL

RXA0077057 -UN-23AUG04

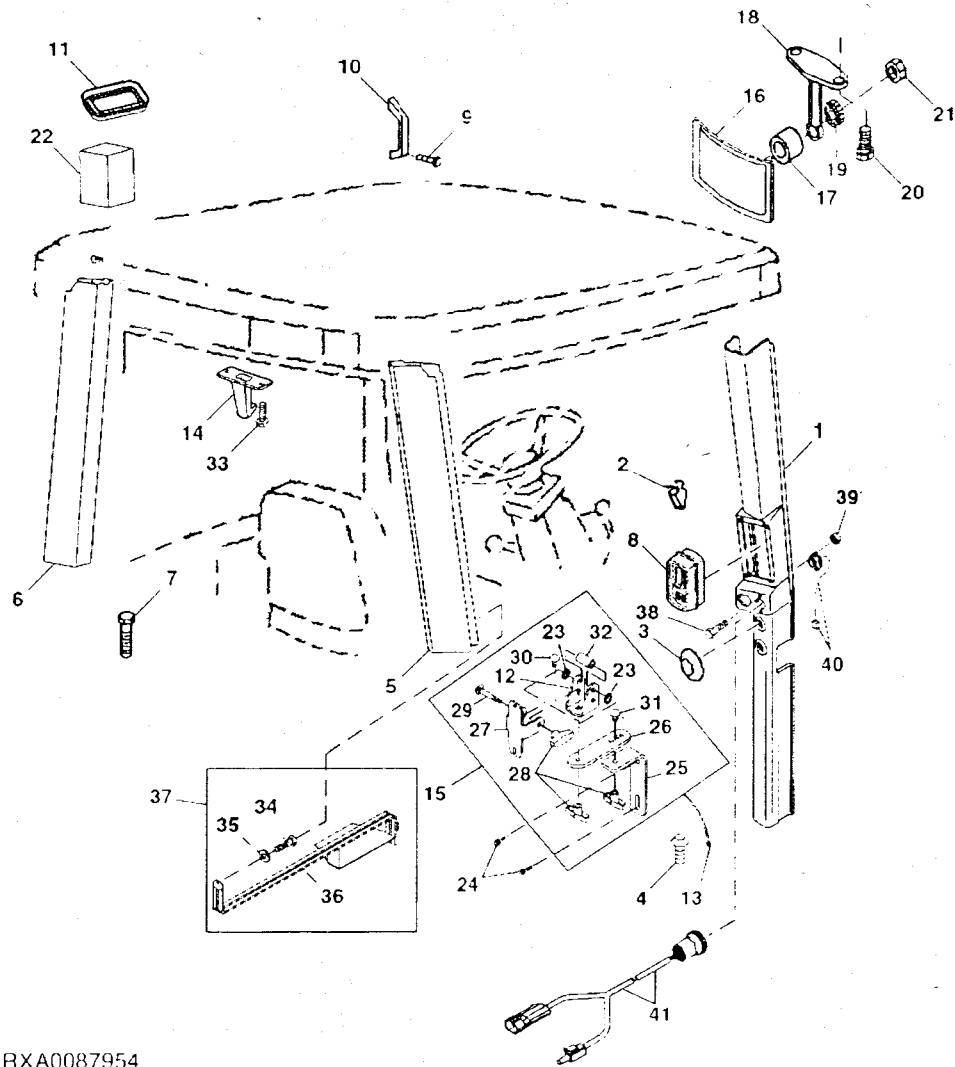


RXA0077057

KEY	PART NO.	PART NAME	QTY.	CAB SERIAL NO	A L L	REMARKS
1	R229271	COVER	1		X	
2	R185496	COVER	1		X	
3	R120160	CLIP	2		X	
4	R187566	COVER	1		X	
	RE194287	FUSE HOLDER	1		X	
5	R227863	ACOUSTICAL UPHOLSTERY	1		X	
	M84972	NUT	2		X	
	21M7296	SCREW	2		X	M6 X 20

POST UPHOLSTERY (CAB)  
SELLERIE-GARNITURE DES MONTANTS (CABINE)  
STANGENPOLSTERUNG (FAHRERKABINE)  
SELLERIA DEGLI COLONNE (CABINA)  
TAPIZADO DEL POSTE (CABINA)  
STOLPKLAEDSEL (HYTT)

RXA0087954 -UN-11APR06



RXA0087954

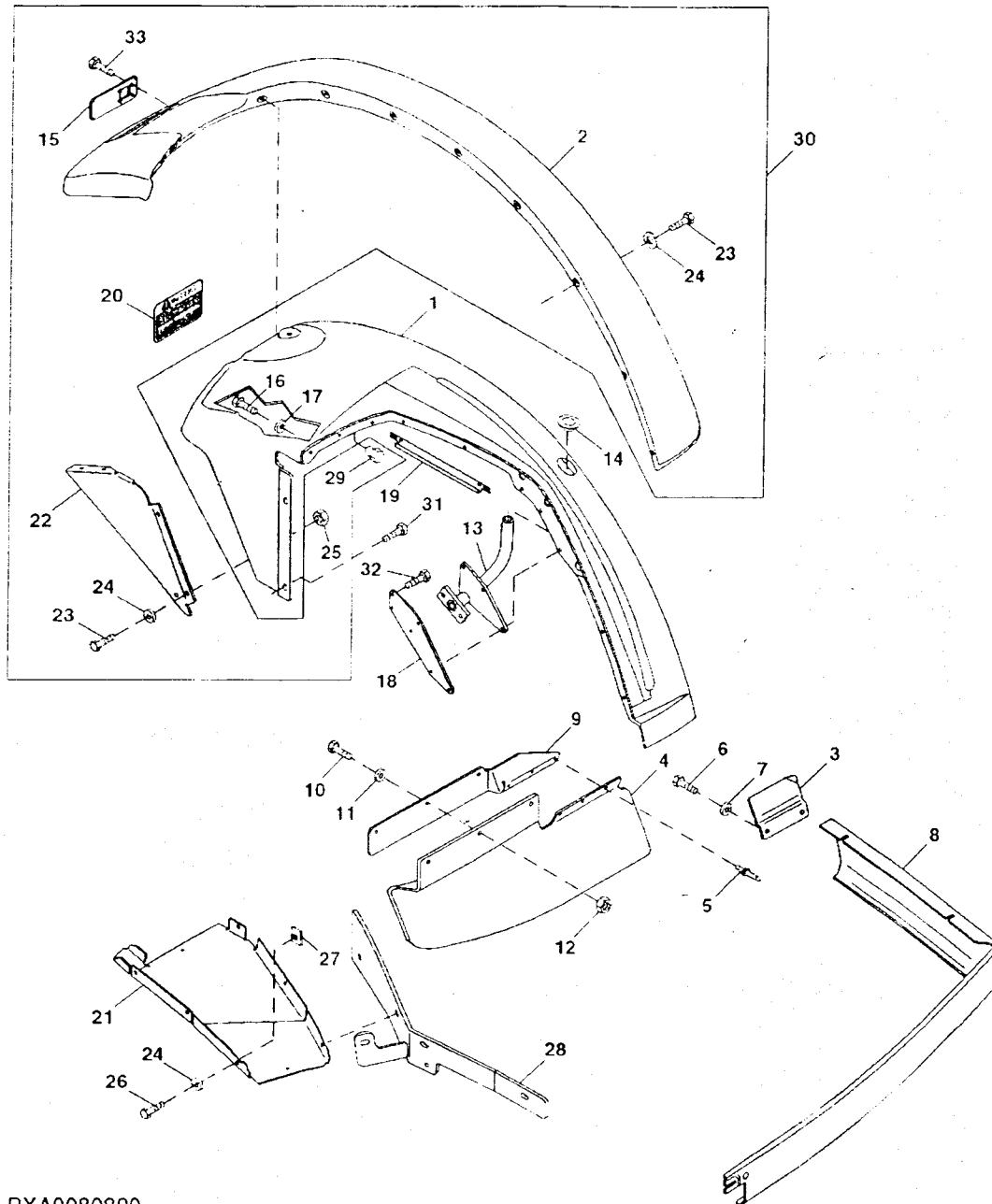
THIS PARTS LISTING IS CONTINUED

KEY	PART NO.	PART NAME	QTY.	TRACTOR SERIAL NO.	A L L	REMARKS
1	R247730	COVER	1		X	R.H.
	R124330	COVER	1		X	L.H.
	R248210	COVER	1		X	(A) R.H.
2	R120160	CLIP	4		X	
3	R110408	CAP	6		X	
4	37M7089	SCREW	1		X	M6 X 12
5	R127858	ACOUSTICAL UPHOLSTERY	1		X	(SUB R257816) R.H.
6	R127857	ACOUSTICAL UPHOLSTERY	1		X	(SUB R257815) L.H.
7	37M7089	SCREW	1		X	M6 X 12
8	RE221495	TACHOMETER	1		X	(SUB RE246544)
9	19M8666	SCREW	2		X	M6 X 16
10	L57250	HANDLE	1		X	
11	R112828	SEAL	2		X	
12	R244202	BRACKET	1		X	
13	R44302	TIE BAND	1		X	
14	L102023	HOOK	1		X	
15	RE239147	BRACKET	1		X	(SUB RE255894)
16	RE52660	REAR VIEW MIRROR	1		X	(SUB AT186760)
	R109419	PLUG	1		X	
17	R54701	SPACER	1		X	
18	L75379	RETAINER	1		X	
19	12M7065	LOCK WASHER	1		X	8 MM
20	R126355	SCREW	2		X	
21	14H785	NUT	1		X	5/16"
22	R55327	ISOLATOR	2		X	
23	N209692	LOCK WASHER	2		X	
24	19M7783	SCREW	2		X	M10 X 16 HS 10.9
	19M7784	SCREW	2		X	M10 X 20 (USE WITH R255898) HS 10.9
25	N208824	ANGLE	1	XXXXXX-	X	
	R255898	ANGLE	1	XXXXXX-	X	
26	N209673	STRAP	1		X	
	R255897	BRACKET	1	XXXXXX-	X	
27	R237730	BRACKET	1		X	
28	N209668	KNOB	3		X	
29	03M7233	BOLT	1		X	M10 X 70
30	03M7190	BOLT	1		X	M10 X 20
	03M7192	BOLT	1		X	M10 X 30 (USE WITH R255897)
31	03M7191	BOLT	1		X	M10 X 25
32	T143534	SPACER	1		X	
33	R128728	SCREW	2		X	
34	19M7166	CAP SCREW	3		X	M10 X 20
35	24M7178	WASHER	3		X	10.500 X 30 X 2.500 MM
36	RE245374	BRACKET	1		X	
37	RE252145	FIELD INSTALLATION KIT	1		X	
38	19M9805	SOCKET HEAD SCREW	2		X	M3 X 16
39	14M7196	NUT	2		X	M3
40	RE248995	WIRING HARNESS	1		X	
41	RE254818	WIRING HARNESS	1		X	

(A) EUROPEAN VERSION  
 VERSION EUROPEENNE  
 EUROPÄISCHE AUSFUEHRUNG  
 VERSIONE EUROPEA  
 VERSION EUROPEA  
 EUROPEISK VERSION

REAR FENDER REAR EXTENSION  
EXTENSION ARRIERE DU GARDE-BOUE ARRIERE  
HINTERKOTFLUEGEL-HECKVERLAENGERUNG  
ESTENSIONE POSTERIORE DEL PARAFANGO POSTERIORE  
EXTENSION TRASERA DEL GUARDABARRO TRASERO  
BAKRE FOERLAENGNING FOER BAKSTAENKSKAERM

RXA0080890 UN-18MAY05



RXA0080890

KEY	PART NO.	PART NAME	QTY.	CAB SERIAL NO.	A L L	REMARKS
1	R162233	FENDER	1		X	(C) R.H.
	R163025	FENDER	1		X	(B) 2.48M R.H.
	R162234	FENDER	1		X	(C) L.H.
	R163026	FENDER	1		X	(B) 2.48M L.H.
2	R162235	FENDER	1		X	2.48M R.H.
	R175460	EXTENSION	1		X	(A) R.H.
	R162236	FENDER	1		X	2.48M L.H.
	R182029	EXTENSION	1		X	(A) (D) L.H.
3	R191042	BRACKET	1		X	
4	R192279	FENDER	1		X	R.H.
	R171714	FENDER	1		X	L.H.
5	R79033	RIVET	3		X	
6	19M7297	CAP SCREW	2		X	M8 X 12
7	24M7036	WASHER	2		X	9 X 16 X 1.600 MM
8	R167959	RISER	1		X	R.H.
	R167960	RISER	1		X	L.H.
9	R171711	BRACKET	1		X	
	R171712	BRACKET	1		X	
10	19M7863	SCREW	3		X	M6 X 25, HS 10.9
11	24M7139	WASHER	3		X	6.400 X 18 X 1.600 MM
12	R151387	NUT	6		X	
13	RE207025	BRACKET	1		X	R.H.
	RE207026	BRACKET	1		X	L.H.
14	R171976	GROMMET	1		X	
	R191396	PLUG	1		X	(A)
15	R242230	PLATE	1		X	(SUB R245692 AND (J) 19M8937)
	R169956	COVER	1		X	
16	19M7862	SCREW	10		X	M6 X 20, HS 10.9
17	24M7139	WASHER	10		X	6.400 X 18 X 1.600 MM
18	R175892	PLATE	1		X	
19	R174049	SHIELD	1		X	
20	R132720	LABEL	1		X	R.H.
21	R163018	SHIELD	1		X	L.H.
	R163019	SHIELD	1		X	R.H., 2.48M
22	R155374	SHIELD	1		X	L.H., 2.48M
	R155375	SHIELD	1		X	
23	19M7862	SCREW	4		X	M6 X 20
24	24M7139	WASHER	10		X	6.400 X 18 X 1.600 MM
25	14M7397	LOCK NUT	2		X	M6
26	19M7863	SCREW	6		X	M6 X 25, HS 10.9
27	M84972	NUT	6		X	R.H.
28	RE184370	REINFORCEMENT	1		X	R.H.
	RE184371	REINFORCEMENT	1		X	L.H.
29	R191394	GROMMET	1		X	
	R191395	PLUG	1		X	
30	RE210326	KIT	1		X	
31	37M7084	SCREW	5		X	M8 X 25
32	19M7785	SCREW	1		X	M10 X 25, HS 10.9
33	19M8937	SCREW	4		X	M5 X 10

(A) EUROPEAN VERSION  
 VERSION EUROPEENNE  
 EUROPÄISCHE AUSFÜHRUNG  
 VERSIONE EUROPEA  
 VERSION EUROPEA  
 EUROPEISK VERSION

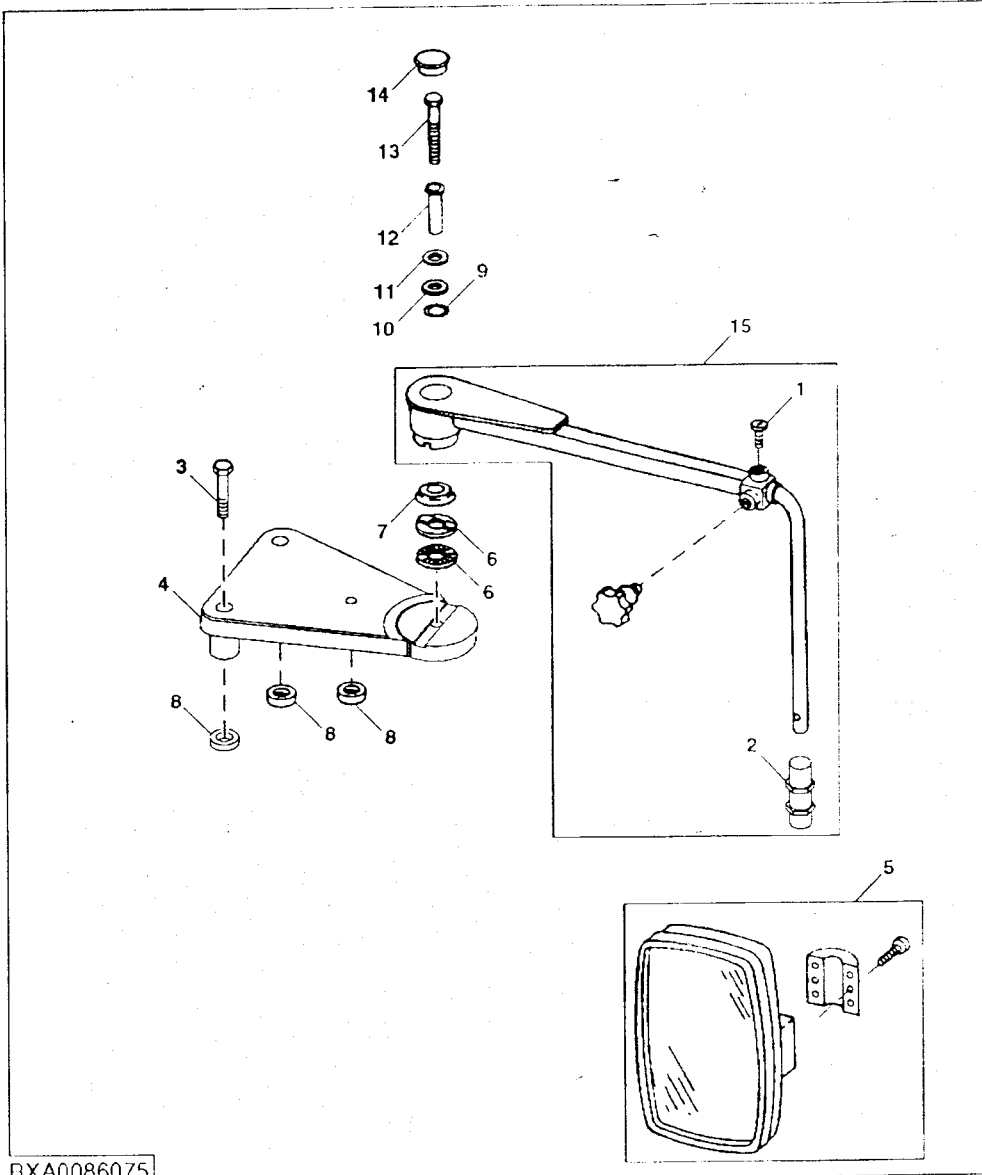
(B) W/FENDER EXTENSION  
 EXTENSION DE GARDE-BOUE  
 KOTFLUEGELVERLAENGERUNG  
 ESTENSIONE PARAFANGO  
 EXTENSION DE GUARDABARRO  
 STAENKSKAERMSFOERLAENGARE

(C) W/O FENDER EXTENSION  
 W/O EXTENSION DE GARDE-BOUE  
 W/O KOTFLUEGELVERLAENGERUNG  
 W/O ESTENSIONE PARAFANGO  
 W/O EXTENSION DE GUARDABARRO  
 W/O STAENKSKAERMSFOERLAENGARE

(D) W/ REAR PTO SWITCH  
 W/ INTERRUPTEUR DE PDF ARRIERE  
 W/ SCHALTER FUER DIE HINTERE ZAPFWELLE  
 W/ INTERRUTTORE PTO POSTERIORE  
 W/ INTERRUPTOR DE TDF TRASERA  
 W/ STROEMBRYTARE FOER BAKRE KRAFTUTTAG

OUTSIDE REAR VIEW MIRROR (NORTH AMERICAN ONLY)  
RETROVISEUR EXTERIEUR (AMERIQUE DU NORD UNIQUEMENT)  
AUBEN-RUECKSPIEGEL (NUR NORDAMERIKANISCHE AUSFUEHRUNG)  
RETROVISORE ESTERNO (SOLO NEI MODELLI PER IL NORD AMERICA)  
ESPEJO RETROVISOR EXTERIOR (VERSION NORTEAMERICANA SOLAMENTE)  
YTTRE BACKSPEGEL (ENDAST FOER NORDAMERIKA)

RXA0086075 -UN-23JAN06



RXA0086075

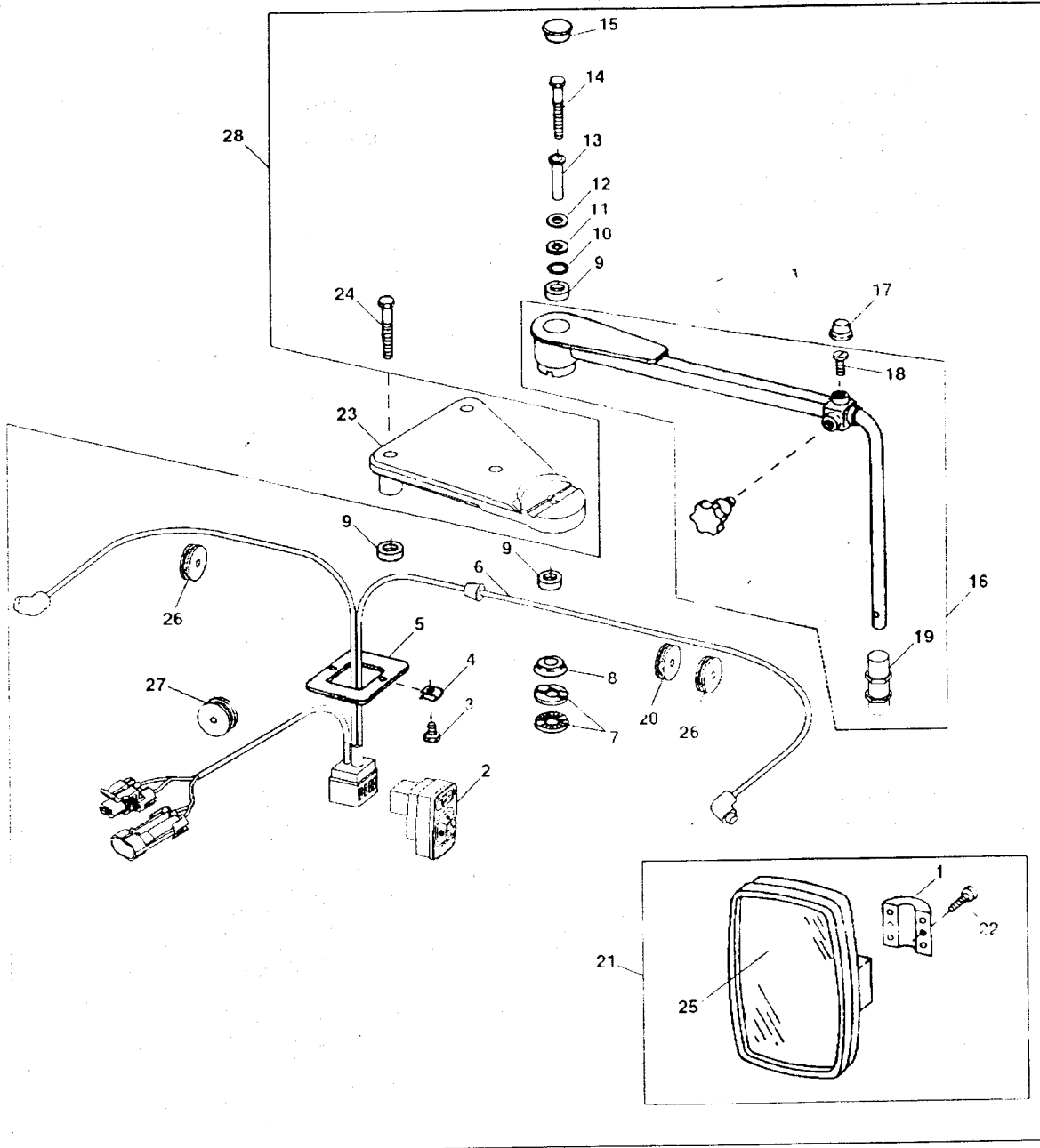
THIS PARTS LISTING IS CONTINUED

KEY	PART NO.	PART NAME	QTY.	CAB SERIAL NO	A L L	REMARKS
1	21M7292	SCREW	1		X	M6 X 16
2	L79784	ADAPTER FITTING	1		X	
3	19M7979	SCREW	6		X	M8 X 55, HS 10.9
4	R227187	BRACKET	1		X	L.H.
	R227701	BRACKET	1		X	R.H.
5	AL78021	REAR VIEW MIRROR	2		X	
6	R125634	CAM	4		X	
7	R242373	SEAL	2		X	
8	R127769	SEAL	6		X	
9	51M7042	O-RING	2		X	13.300 X 2.200 MM
10	R48450	WASHER	2		X	
11	12M6601	DISK SPRING	18		X	14.200 X 28 X 1.500 MM
12	R125844	SPACER	2		X	
13	19M7742	CAP SCREW	2		X	M10 X 65
14	R155065	PLUG	2		X	
15	RE154994	SUPPORT	2		X	
16	RE222646	FIELD INSTALLATION KIT	1		X	

REMOTE POWER MIRROR  
 RETROVISEUR TELECOMMANDE  
 FERNGESTEUERTER ELEKTRISCHER SPIEGEL  
 SPECCHIETTO MOTORIZZATO CON COMANDO A DISTANZA  
 ESPAJO CON MOTOR A CONTROL REMOTO  
 FJAERRKONTROLLERAD ELEKTRISK BACKSPEGEL

RXA0080228

UN-12APR05



RXA0080228

THIS PARTS LISTING IS CONTINUED



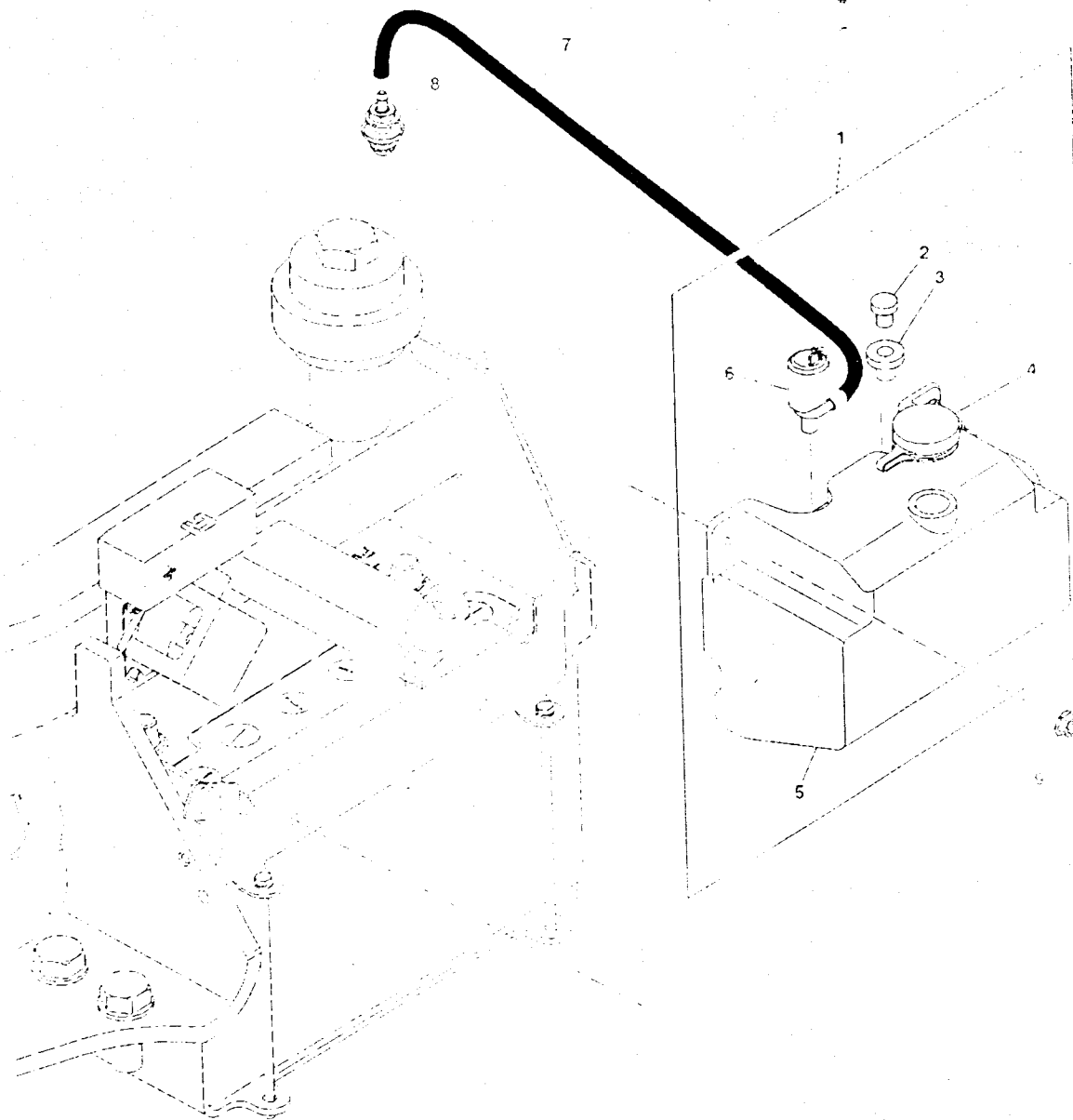
KEY	PART NO.	PART NAME	QTY.	CAB SERIAL NO.	A L L	REMARKS
1	R134060	HALF CLAMP	1		X (B)	
2	RE236245	SWITCH	1		X (B)	
3	37M7185	SCREW	2		X (B)	
4	L79648	NUT	2		X (B)	
5	R236232	PLATE	1		X (B)	
6	RE224221	WIRING HARNESS	1		X (B)	
7	R125634	CAM	4		X	
8	R242373	SEAL	2		X	
9	R127769	SEAL	6		X	
10	51M7042	O-RING	2		X	13 300 X 2 200 MM
11	R48450	WASHER	2		X	
12	12M6601	DISK SPRING	18		X	14 200 X 28 X 1.500 MM
13	R125844	SPACER	2		X	
14	19M7875	CAP SCREW	2		X	M10 X 70, HS 10.9
15	R155065	PLUG	2		X	
16	RE154994	SUPPORT	2		X	
17	L38797	CAP	2		X	
18	21M7232	SCREW	1		X	M6 X 16
19	L79784	ADAPTER FITTING	1		X	
	R129077	ADAPTER FITTING	4		X (B)	
20	R138179	GROMMET	1		X (B)	
21	RE65310	REAR VIEW MIRROR	2		X (B)	
	AL78021	REAR VIEW MIRROR	1		X (A) (LH)	
22	19M7603	SCREW	2		X (B) M6 X 20	
23	R227701	BRACKET	1		X R.H.	
	R227187	BRACKET	1		X L.H.	
24	37M7108	SCREW	6		X M8 X 60	
25	R134059	REAR VIEW MIRROR	1		X (B)	
26	T53817	GROMMET	2		X (B)	
27	R41443	GROMMET	1		X (B)	
28	RE241366	FIELD INSTALLATION KIT	1		X	
	RE244933	FIELD INSTALLATION KIT	1		X (INCL KEYS MARKED (B) )	
	R44302	TIE BAND	AR		X (B)	

(A) MANUAL ADJUST  
 REGLAGE MANUEL  
 MANUELLE EINSTELLUNG  
 REGOLAZIONE MANUALE  
 AJUSTE MANUAL  
 MANUELL INSTAELLNING

WINDSHIELD AND REAR WASHER KIT  
JEU DE LAVE-GLAIVE AVANT ET ARRIERE  
SCHEIBEN-WASCHANLAGENSATZ VORNE UND HINTEN  
KIT LAVACRISTALLI ANTERIORE E POSTERIORE  
CONJUNTO DE LAVAPARABRISAS DELANTERO Y TRASERO  
VINDRUTESPOLARE FRAM OCH BAK

FXA0074899

JUN-05AUG05



FXA0074899

THIS PARTS LISTING IS CONTINUED

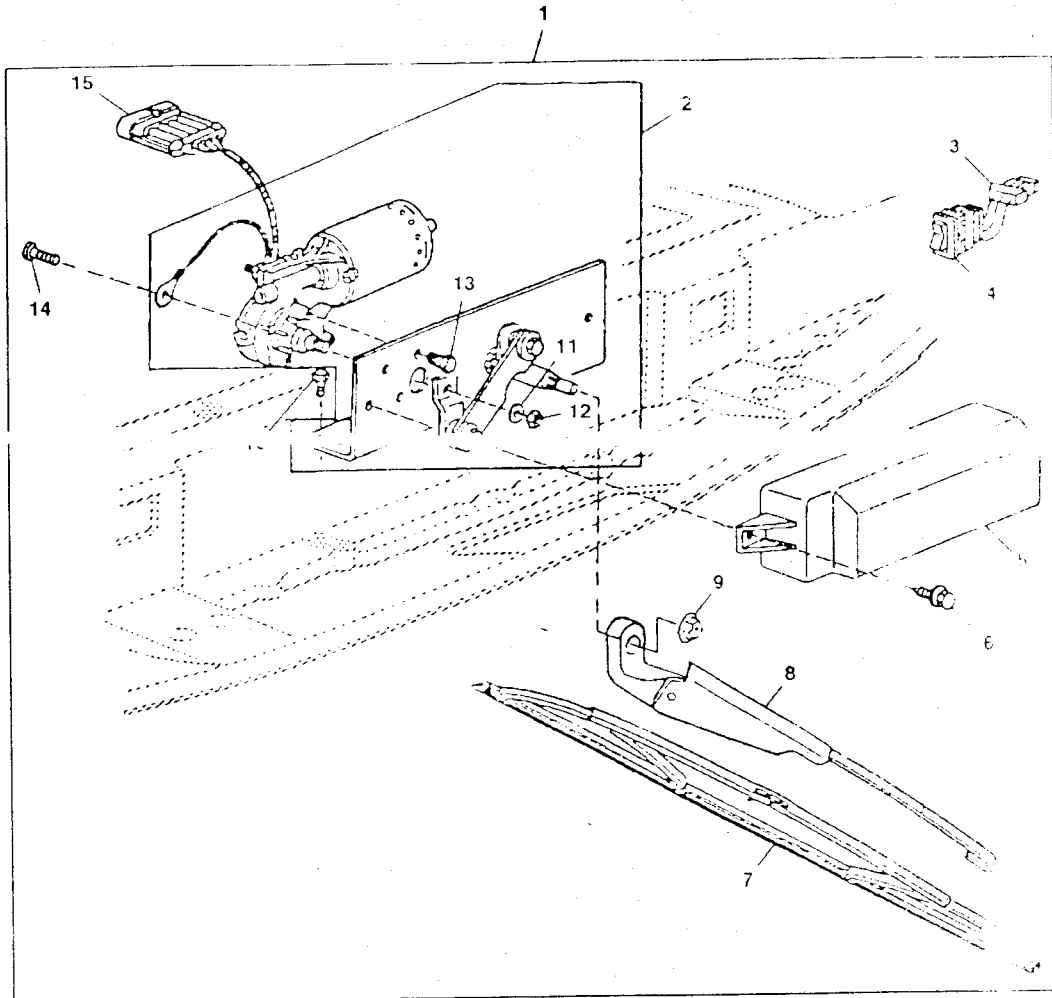
8130, 8230, 8330, 8430, 8530 TRACTORS PC9451 23-JAN-06  
R12332

KEY	PART NO.	PART NAME	QTY	CAB SERIAL NO.	A L L	REMARKS
1	AL77711	RESERVOIR	1		X	
2	L80015	PLUG	2		X	
3	L80014	GROMMET	2		X	
4	L80013	FILLER CAP	1		X	
5	L78422	RESERVOIR	1		X	
6	AL79013	PUMP	2		X	
7	TY25139	BULK HOSE	2		X	SUB. TO R. NO. 6789) 6650 L.M.
	R120653	HOSE	1		X (A)	
8	AL35642	NOZZLE	2		X	
9	14M7396	LOCK NUT	2		X (A)	
..	AR112601	FIELD INSTALLATION KIT	1		X (ASSY)	

(A) NOT INCLUDED IN KIT  
 NON INCLUS DANS LE JEU  
 NICHT MIT DEM SATZ MITGELIEFERT  
 NON COMPRESO NEL KIT  
 NO FORMA PARTE DEL JUEGO  
 INGAAR INTE I SATSEN

FRONT AND REAR WINDSHIELD WIPER  
ESSUIE-GLACE AVANT/ARRIERE  
VORN/HINTERER SCHEIBENWISCHER  
SPAZZOLA PARABREZZA ANTERIORE/POSTERIORE  
LIMPIADOR DE PARABRISAS FRONTE/TRASERO  
FRAM/BAKRE VINDRUTETORKARE

RXA0077984 -UN-27OCT04



RXA0077984

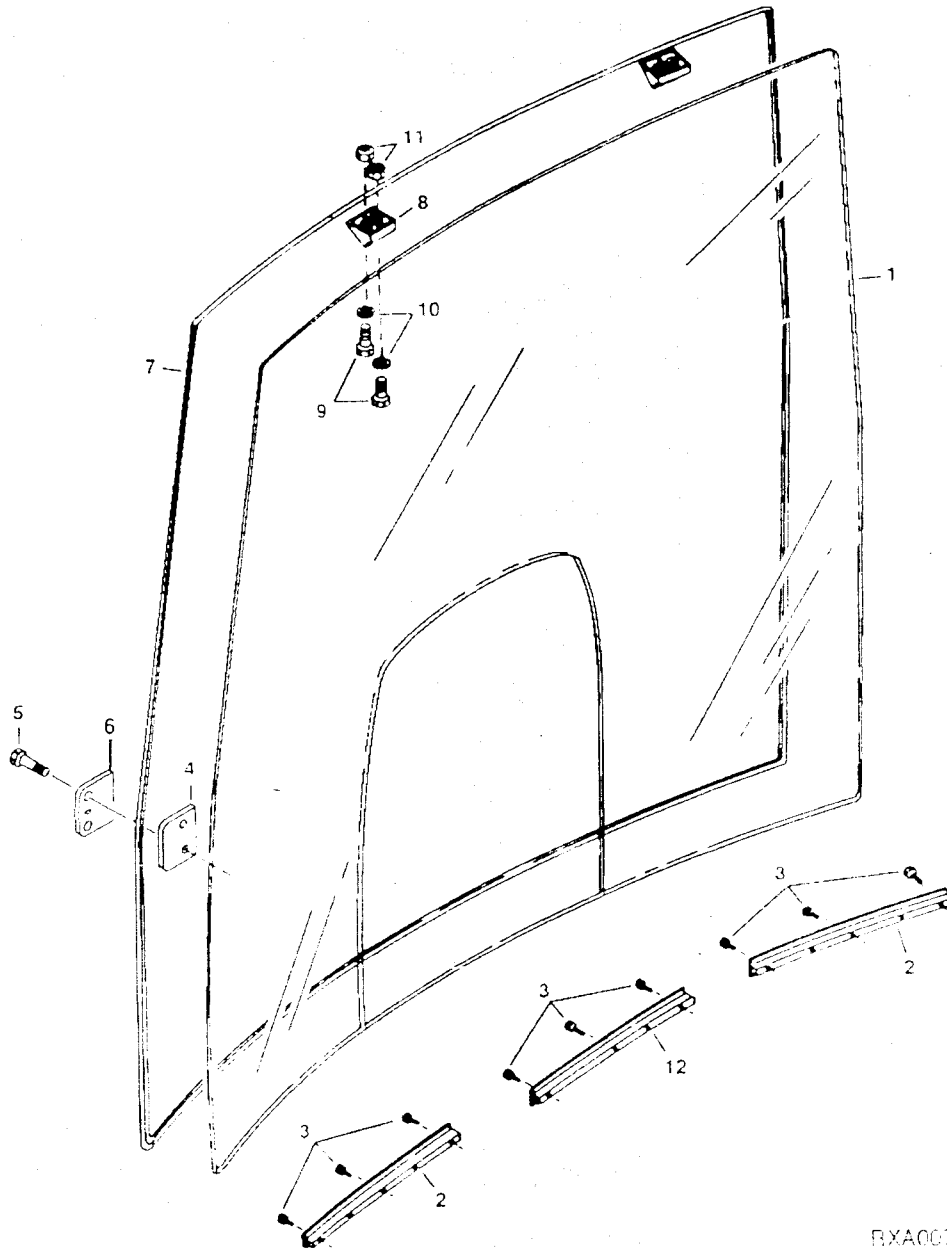
THIS PARTS LISTING IS CONTINUED

KEY	PART NO.	PART NAME	QTY.	CAB SERIAL NO	A L L	REMARKS
1	AR112621	FIELD INSTALLATION KIT	1		X	
2	RE151494	WIPER MOTOR	1		X	
3	57M7255	ELEC. CONNECTOR TERMINAL	1		X	
	R104846	ELEC. CONNECTOR TERMINAL	3		X	
	57M7258	ELEC. CONNECTOR ACCESSORY	3		X	
	57M7290	ELECTRICAL CONNECTOR ASSY	1		X	
4	RE55476	TOGGLE/ROCKER SWITCH	1		X	
5	R161356	SHIELD	1		X	
6	37M7089	SCREW	2		X	M6 X 12
7	TY16306	WIPER BLADE	1		X	
8	RE245399	WIPER ARM	1		X	
9	14M7298	FLANGE NUT	1		X	M8
10	H123995	SCREW	3		X	
11	12M7006	LOCK WASHER	1		X	M MM
12	14M7272	NUT	1		X	M6
13	19M7923	CAP SCREW	3		X	M6 X 12
14	37M7059	SCREW	3		X	M5 X 12
15	57M7244	ELEC. CONNECTOR TERMINAL	1		X	
	R104919	ELEC. CONNECTOR TERMINAL	4		X	
	57M7258	ELEC. CONNECTOR ACCESSORY	4		X	
	57M7318	ELEC. CONNECTOR ACCESSORY	1		X	

WINDSHIELD  
PARA-BRISE  
WINDSCHUTZSCHEIBE  
PARABREZZA  
PARABRISAS  
VINDRUTA

RXA0076966

-UN-13AUG04



RXA0076966

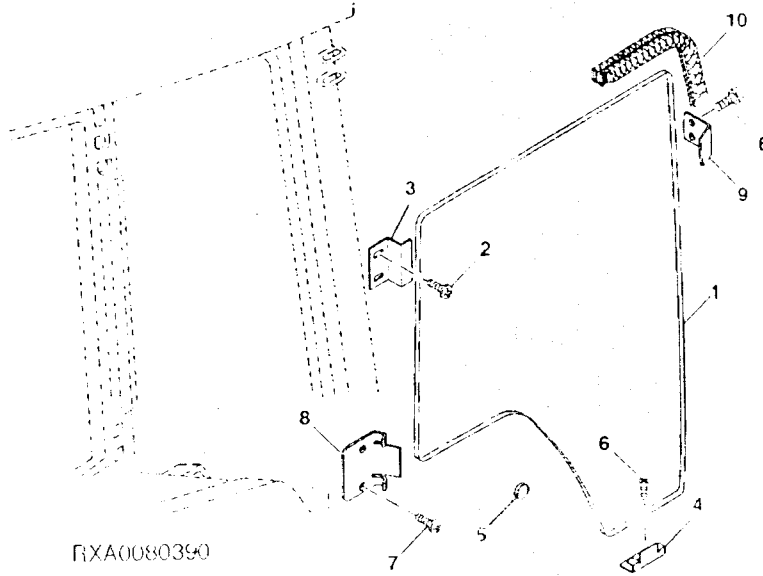
THIS PART'S LISTING IS CONTINUED

KEY	PART NO.	PART NAME	QTY.	CAB SERIAL NO.	A L L	REMARKS
1	R196390	WINDOWPANE	1		X	
	R218484	WINDOWPANE	1		X	(A)
2	R119890	SUPPORT	2		X	
3	R81456	SCREW	14		X	
4	R178686	STRAP	2		X	
5	37M7257	SCREW	4		X	M8 X 16
6	R220146	ISOLATOR	2		X	(SUB R254930)
7	R232304	SEAL	1		X	
8	R212331	SUPPORT	2		X	
9	R161886	SCREW	4		X	
10	24M7036	WASHER	4		X	9 X 16 X 1.600 MM
11	14M7166	LOCK NUT	4		X	M8
12	R228315	SUPPORT	1		X	

(A) EUROPEAN VERSION  
 VERSION EUROPEENNE  
 EUROPÄISCHE AUSFUEHRUNG  
 VERSIONE EURPEA  
 VERSION EUROPEA  
 EUROPEISK VERSION

STATIONARY RIGHT-HAND GLASS  
 VITRE FIXE COTE DROIT  
 FESTSTEHENDE RECHTE GLASSCHEIBE  
 VETRO STAZIONARIO DESTRO  
 CRISTAL DERECHO FIJO  
 FAST HOEGER RUTA

RXA0080390 -UN-26APR05

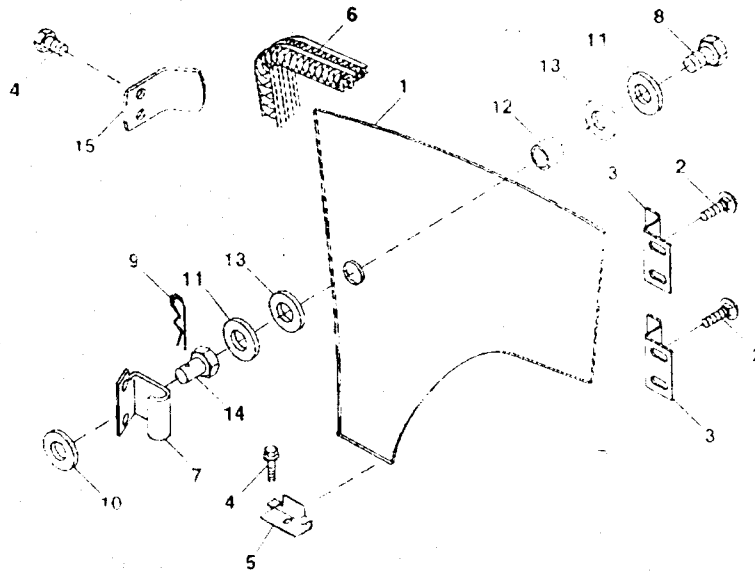


KEY	PART NO.	PART NAME	QTY	TRACTOR SERIAL NO	A L L	REMARKS
1	R182028	WINDOW	1		X	
2	19M7866	SCREW	4		X	M8 X 20
3	R208468	CLAMP	2		X	
4	R240058	CLAMP	1		X	
5	R114059	ISOLATOR	1		X	
6	37M7160	SCREW	2		X	M6 X 16
7	19M9357	SCREW	2		X	M8 X 16
8	R180278	CLAMP	1		X	
9	R240059	ANGLE	1		X	(SUB R254930)
10	RE249465	SEAL	1		X	(SUB FOR RE228688)
	R161786	SEAL	3		X	



RIGHT-HAND WINDOW (EUROPEAN VERSION)  
 PORTE DROITE OUVRABLE (VERSION EUROPEENNE)  
 AUFMACHBARE RECHTE TÜR (EUROPAEISCHE AUSFUEHRUNG)  
 PORTA DESTRA APRIBILE (VERSIONE EUROPEA)  
 PUERTA DERECHA ABRIBLE (VERSION EUROPEA)  
 OEPPNINGSBAR HOEGER DOERR (EUROPEISK VERSION)

RXA0080391 -UN-26APR05

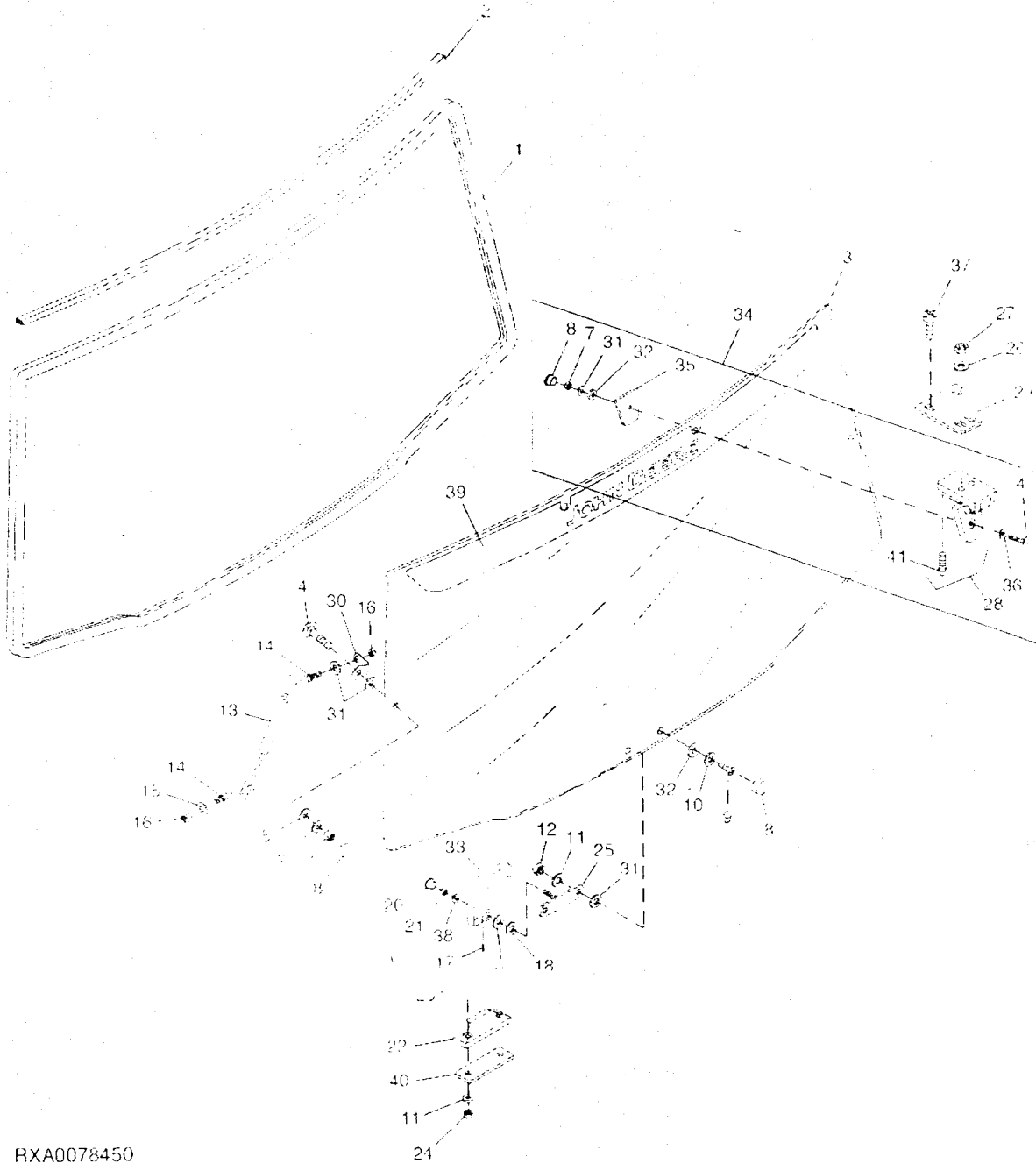


RXA0080391

KEY	PART NO	PART NAME	QTY.	TRACTOR SERIAL NO.	A L L	REMARKS
1	R187562	WINDOW	1		X	
2	19M7866	SCREW	4		X	M8 X 20
3	R208468	CLAMP	2		X	
4	37M7160	SCREW	3		X	M6 X 16
5	R240058	CLAMP	1		X	
6	RE249465	SEAL	1		X	(SUB FOR RE228665)
7	R236488	PLATE	1		X	
8	19M7162	CAP SCREW	2		X	M8 X 16
9	R121787	SPRING LOCKING PIN	1		X	
10	24M7036	WASHER	2		X	9 X 10 X 1.60 MM
11	L58890	WASHER	2		X	
12	H25220	BUSHING	1		X	
13	R108077	SEALING WASHER	2		X	
14	R124733	PIN	1		X	
15	R241927	ANGLE	1		X	
	R161786	SEAL	2		X	

REAR WINDOW  
LUNETTE  
HECKFENSTER  
FINESTRINO POSTERIORE  
VENTANA TRASERA  
BAKFONSTER

RXA0078450 -UN-13DEC04



RXA0078450

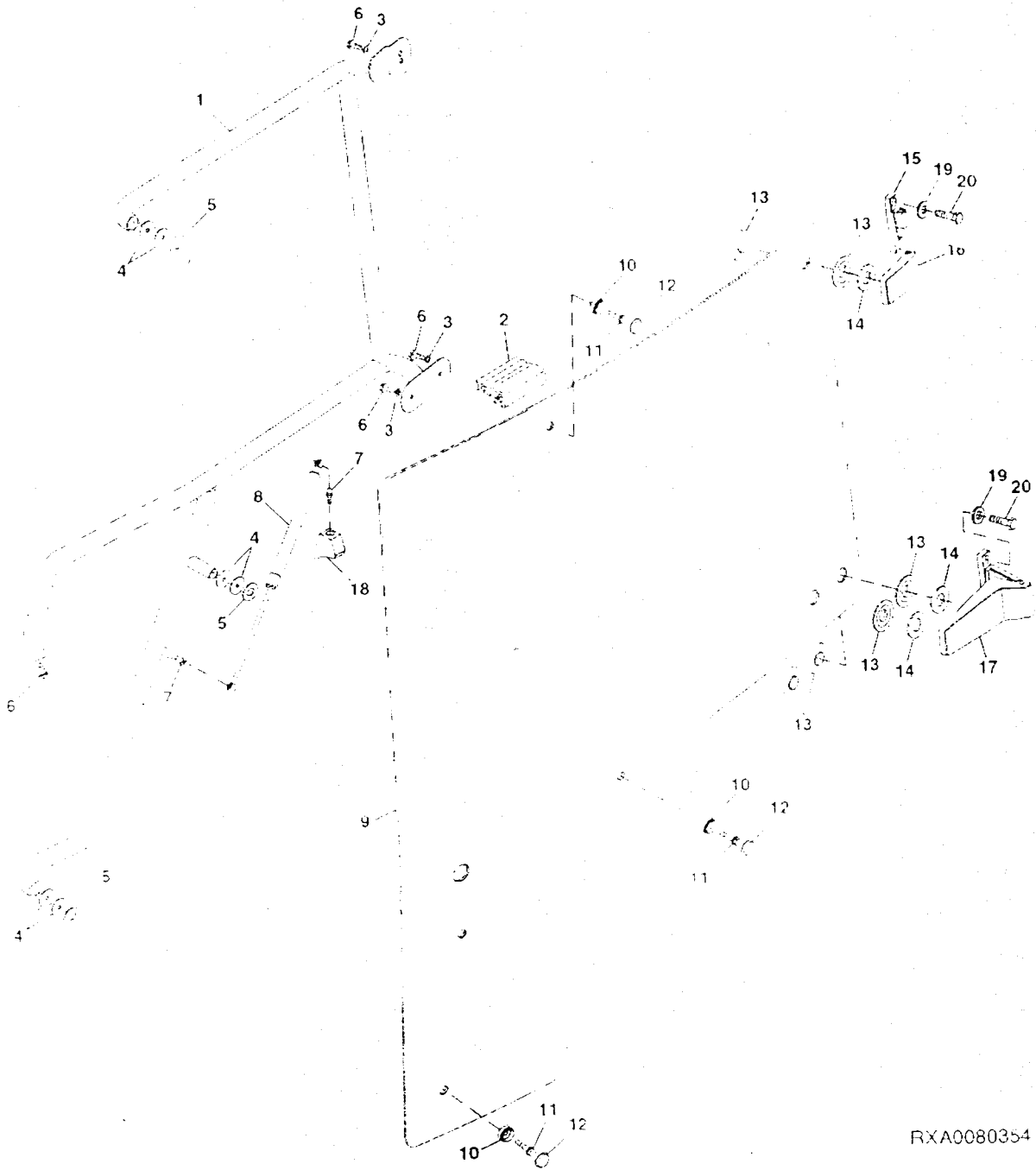
THIS PARTS LISTING IS CONTINUED

KEY	PART NO.	PART NAME	QTY.	TRACTOR SERIAL NO.	A L L	REMARKS
1	RE249465	SEAL	1		X	(SUB FOR RE228688)
2	R234302	SEAL	1		X	UP
3	R127903	WINDOWPANE	1		X	
	R131208	WINDOWPANE	1		X	(A)
4	03M7309	BOLT	2		X	M8 X 25
	03M7331	BOLT	2		X	M8 X 35
5	L78851	BUSHING	4		X	
6	24M7207	WASHER	4		X	8.400 X 24 X 2 MM
7	14M7166	LOCK NUT	4		X	M8
8	L78703	CAP	6		X	
9	21M7310	SCREW	2		X	M8 X 25
10	24M7100	WASHER	2		X	6.300 X 20 X 2 MM
11	24M7251	WASHER	3		X	6.400 X 18 X 1.600 MM
12	14M7376	LOCK NUT	2		X	M8
13	RE234166	GAS OPERATED CYLINDER	2		X	
14	R237474	BALL STUD	2		X	
15	24M7036	WASHER	2		X	9 x 16 X 1.600 MM
16	14M7478	LOCK NUT	2		X	M8
17	34M7126	SPRING PIN	1		X	8 x 1.600 M11
18	T27260	WASHER	2		X	
19	24M7044	WASHER	2		X	13 x 20 X 2 MM
20	99M7109	PLUG	1		X	
21	14M7528	LOCK NUT	1		X	M8
22	R220134	LATCH	1		X	
23	R114820	SCREW	4		X	
24	14M7165	LOCK NUT	2		X	M8
25	AL77794	FULCRUM	1		X	
26	24M7207	WASHER	4		X	8.400 X 24 X 2 MM
27	14M7298	FLANGE NUT	4		X	M8
28	AL163210	HINGE	1		X	R.H.
	AL163211	HINGE	1		X	L.H.
29	R126184	PLATE	2		X	
30	R127904	LATCH	2		X	
31	L78704	SEALING WASHER	6		X	
32	L78705	BUSHING	2		X	
33	R133450	HANDLE	1		X	
34	R195693	STRAP	1		X	
35	L111419	GASKET	2		X	
36	24M7036	WASHER	4		X	9 x 16 X 1.600 MM
37	19M7555	SCREW	2		X	M8 X 30
38	24H1287	WASHER	1		X	9.300 X 5.800 X 0.065
39	R224089	LABEL	1		X	
40	R195693	STRAP	1		X	
41	19M7555	SCREW	2		X	M8 X 30

(A. EUROPEAN VERSION  
 VERSION EUROPEENNE  
 EUROPÄISCHE AUSFUEHRUNG  
 VERSIONE EUROPEA  
 VERSION EUROPEA  
 EUROPEISK VERSION)

EFT-HAND DOOR  
ORTE GAUCHE  
INKE TUER  
ORTIERA SINISTRA  
UERTA IZQUIERDA  
AENSTER DOERR

KA0080354 -UN-18MAY05



RXA0080354

THIS PARTS LISTING IS CONTINUED

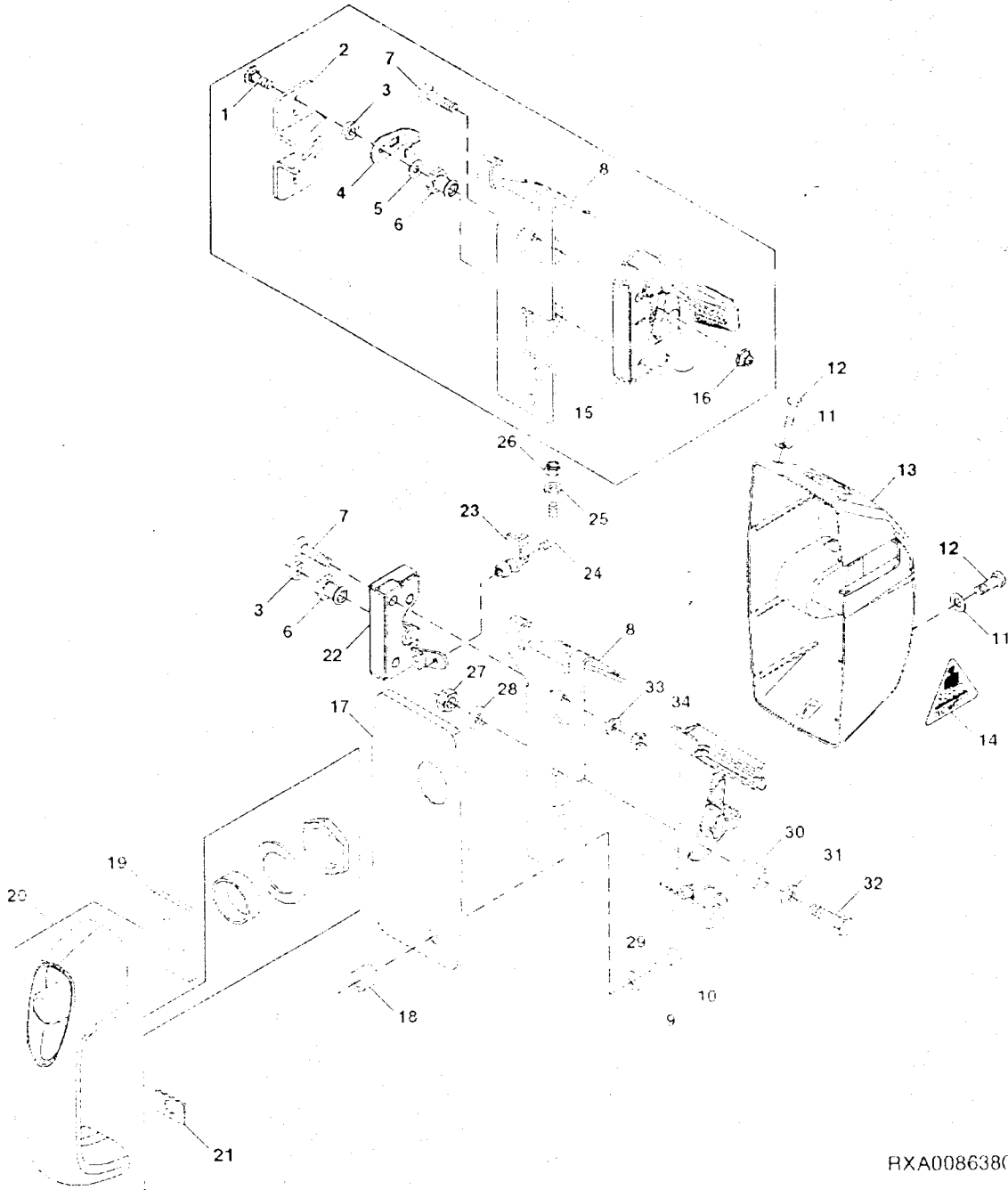
8130, 8230, 8330, 8430, 8530 TRACTORS PC9451 (01-DEC-05)  
P. 942

KEY	PART NO.	PART NAME	QTY.	TRACTOR SERIAL NO	A L L	REMARKS
1	RE210096	HANDLE	1		X	
2	R206158	WEATHERSTRIP	1		X	(ORDER RE2349465)
3	12M7032	LOCK WASHER	3		X	8.400 MM
4	L58830	WASHER	6		X	
5	R131261	WASHER	3		X	M8 X 20
6	19M7866	SCREW	4		X	
7	R237474	BALL STUD	2		X	(ALSO OR PART #2) R237474)
8	RE234165	GAS OPERATED CYLINDER	1		X	
9	R210099	DOOR	1		X	(A)
	R210101	DOOR	1		X	
10	L78851	BUSHING	3		X	M8 X 40
11	19M8323	SCREW	3		X	
12	L78703	CAP	3		X	
13	L77652	SEALING WASHER	6		X	
14	Z22491	WASHER	3		X	
		HINGE	1		X	
16	RE46587	HINGE	1		X	
17	RE208274	HINGE	1		X	
18	R124309	COVER	1		X	
19	R210137	WASHER	4		X	M8 X 30
20	19M9356	SCREW	4		X	

(A) EUROPEAN VERSION  
 VERSION EUROPEENNE  
 EUROPÄISCHE AUSFUEHRUNG  
 VERSIONE EUROPEA  
 VERSION EUROPEA  
 EUROPEISK VERSION

LEFT-HAND DOOR HANDLE  
PORTE GAUCHE MANCHE  
LINKE TÜR GRIFF  
PORTIERA SINISTRA MANICO  
PUERTA IZQUIERDA MANGO  
VAENSTER DOERR HANDTAG

RXA0086380 UN-01FEB06

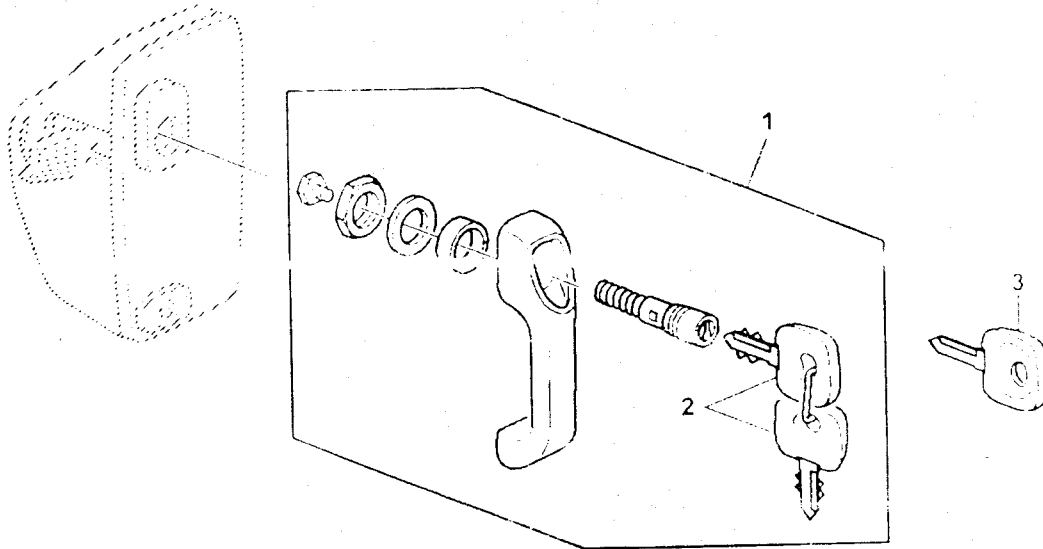


RXA0086380

KEY	PART NO.	PART NAME	QTY	CAB SERIAL NO	A L L	REMARKS
1	03M7192	BOLT	1	XXXXXX	X	M10 X 30
2	R128695	SUPPORT	1	XXXXXX	X	
3	24H1781	WASHER	1		X	13/32" X 7/8" X 1/4"
4	L113717	BALL	1	XXXXXX	X	
5	24H1219	WASHER	2	XXXXXX	X	7/16" X 1" X 0.083"
6	R134619	STRIKER	1		X	
7	19M9165	SCREW	2		X	M8 X 35
8	L113440	ANGLE	1		X	
9	24M7088	WASHER	1		X	6.600 X 12 X 1.600 MM
10	19M7286	CAP SCREW	1		X	M5 X 25
11	24M7419	WASHER	3		X	4.300 X 12 X 1 MM
12	37M7277	SCREW	3		X	
13	R205343	COVER	1		X	
14	H149095	LABEL	1	XXXXXX	X	
15	RE223609	LATCH	1	XXXXXX	X	1/4"
16	14M7298	FLANGE NUT	1		X	
17	L113436	PLATE	1		X	
18	L78691	BUSHING	1		X	
19	L113908	SEALING WASHER	1		X	
20	AL113174	HANDLE	1		X	
21	RE254953	LATCH	1	XXXXXX	X	
22	R82445	RETAINER	1	XXXXXX	X	
23	R82444	HOOK BOLT	1	XXXXXX	X	
24	24H1283	WASHER	1	XXXXXX	X	7/32" X 1/2" X 0.049"
25	U45916	LOCK NUT	1	XXXXXX	X	
26	14M7273	NUT	1	XXXXXX	X	M8
27	12M7065	LOCK WASHER	1	XXXXXX	X	6 MM
28	R127216	BELLCRANK	1	XXXXXX	X	(SUB R256413)
29	M112442	BUSHING	1	XXXXXX	X	
30	24M7207	WASHER	1	XXXXXX	X	8.400 X 24 X 2 MM
31	19M7298	CAP SCREW	1	XXXXXX	X	M8 X 35
32	12M7006	LOCK WASHER	2	XXXXXX	X	6 MM
33	14M7272	NUT	3	XXXXXX	X	M6

PARTS KIT - DOOR HANDLE WITH SECURITY LOCK  
 JEU DE PIECES - POIGNEE DE PORTE AVEC VERROU DE SECURITE  
 TEILESATZ - TUEGRIF MIT SICHERHEITSSCHLOSS  
 KIT DI PARTI - MANIGLIA PORTA CON BLOCCAGGIO DI SICUREZZA  
 CONJUNTO DE PIEZAS - MANILLA DE PUERTA CON CERRADURA DE SEGURIDAD  
 RESERVELSSATS - DOERHANDTAG MED LAAS

X023938 -UN-08MAR00



LX023938

KEY	PART NO.	PART NAME	QTY	SERIAL NO	A L L	REMARKS
1	AL71345	KIT	1		X	
		HANDLE	2		X	
	L78690	BUSHING	2		X	
	L79432	NUT	2		X	
	L79433	WASHER	2		X	
2		KEY	2		X	NSEP (ORDER AL71350)
3	AL71350	KEY	1		X (A)	

(A) BLANK KEY  
 CLE BRUTE  
 SCHLUESSELROHLING  
 CHIAVE GREZZA  
 LLAVE BRUTO  
 BLANK NYCKEL

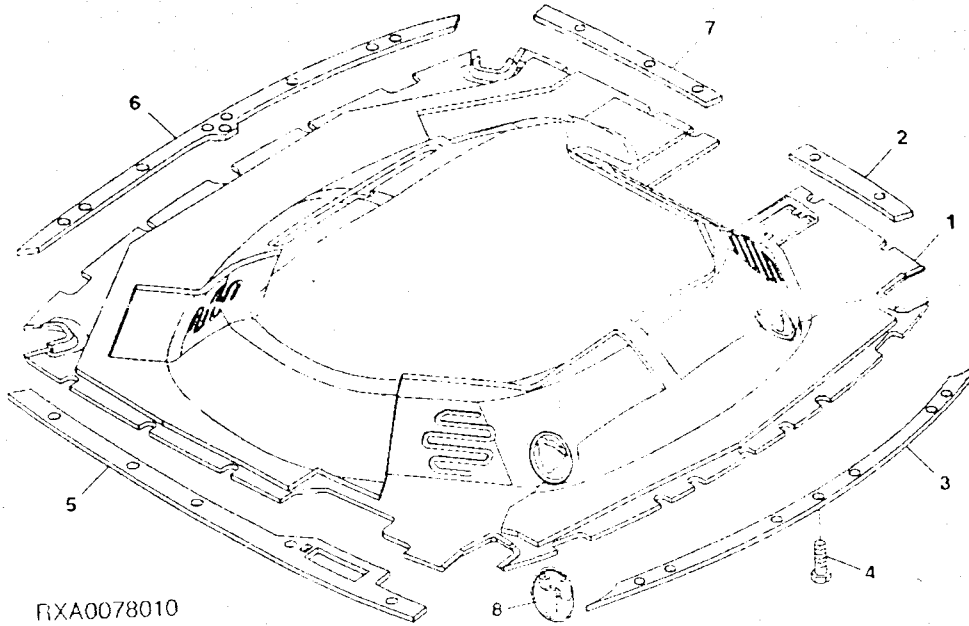


# 91-40

OPERATOR'S STATION

EADLINER  
 LAFOND DE CABINE  
 ABINENDACHVERKLEIDUNG  
 IVESTIMENTO DEL TETTO  
 UARNICION DE TECHO  
 YTTBEKLAEDNAD

XA0078010 UN-25APR05

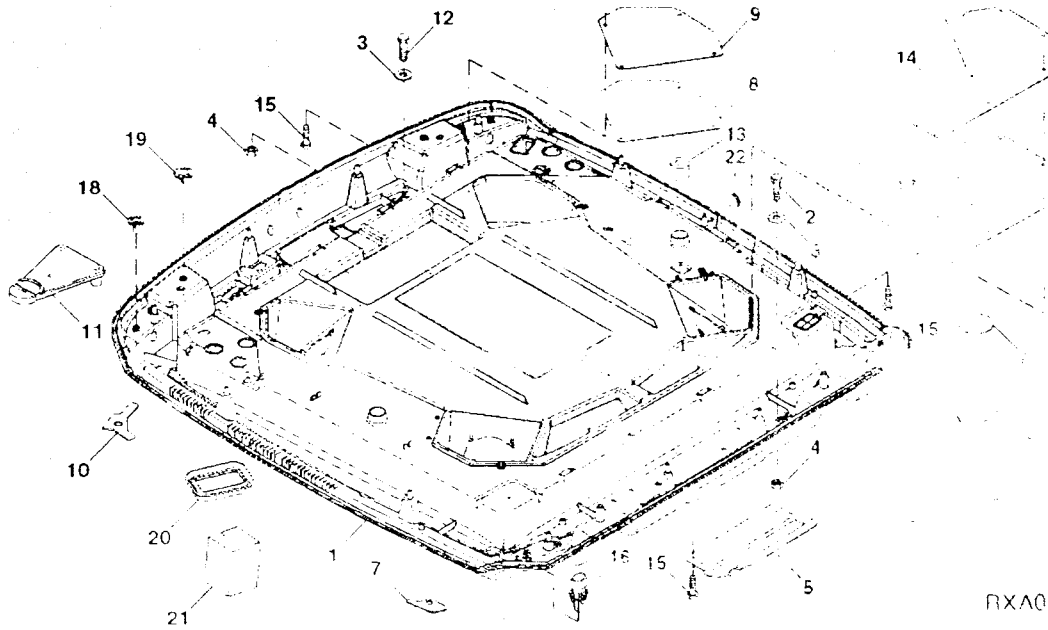


RXA0078010

KEY	PART NO	PART NAME	QTY	CAB SERIAL NO	A L L	REMARKS
1	R244138	HEADLINER	1		X	
2	R127703	SUPPORT	1		X	R.H. REAR
3	R127700	SUPPORT	1		X	REAR
4	R125355	SCREW	20		X	
5	R127701	SUPPORT	1		X	L.H.
6	R127699	SUPPORT	1		X	FRONT
7	R127702	SUPPORT	1		X	R.H. FRONT
8	R222607	BEZEL	2		X	

INNER ROOF  
TOIT INTERIEUR  
INNENDACH  
TETTO INTERNO  
TECHO INTERNO  
INNERTAK

RXA0084865 -UN-01DEC05

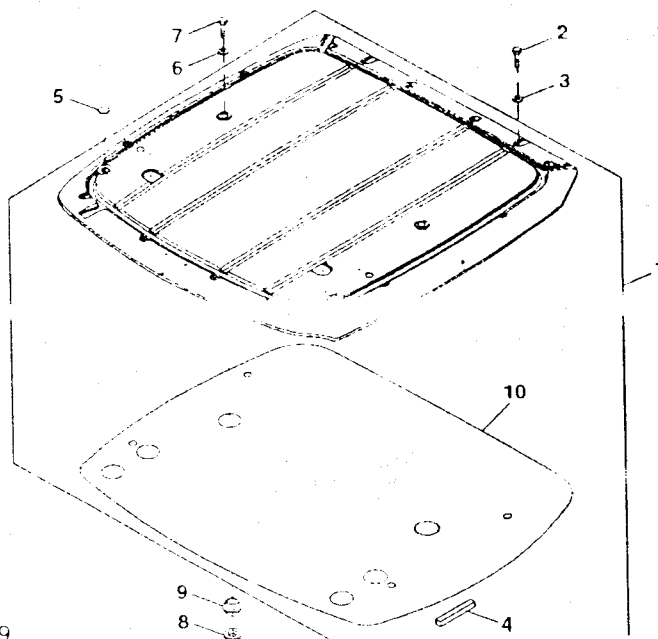


RXA0084865

KEY	PART NO.	PART NAME	QTY.	CAB SERIAL NO	A L L	REMARKS
1	RE232241	ROOF	1		X	(SUB RE251317)
2	37M7084	SCREW	4		X	M8 X 25
3	24M7207	WASHER	8		X	8.400 X 24 X 2 MM
4	14M7273	NUT	8		X	M8
5	R222255	COVER	1		X	
6	R204258	COVER	AR		X	
7	RE71267	SEAL	1		X	
8	R221451	COVER	2		X	
9	RE235442	SEAL	1		X	
10	RE71267	SEAL	1		X	
11	R227701	BRACKET	1		X	R.H.
	R227187	BRACKET	1		X	L.H.
12	19M7979	SCREW	4		X	M8 X 55, HS 10.6
13	R127767	ISOLATOR	2		X	
14	RE235441	SEAL	1		X	
15	H123995	SCREW	2		X	
16	RE176393	SENSOR	1		X	
17	R235304	COVER	2		X	
18	R232223	NUT	8		X	
19	R232224	NUT	2		X	
20	R112826	SEAL	2		X	
21	R55327	ISOLATOR	2		X	
22	R55477	PLUG	1		X	

OUTER ROOF  
TOIT EXTERIEUR  
AUSSENDACH  
TETTO ESTERNO  
TECHO EXTERNO  
YTERTAK

RXA0085059 -UN-17NOV05

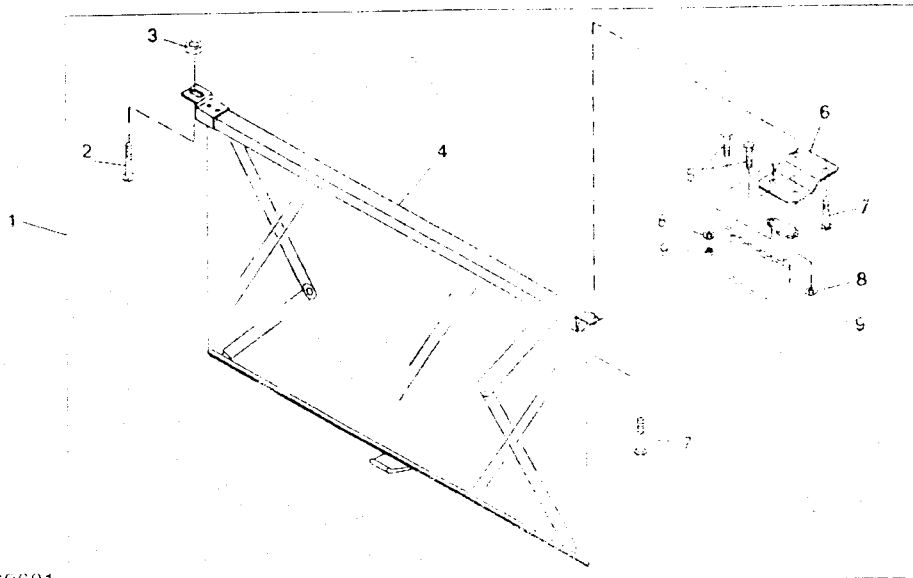


RXA0085059

QTY	PART NO	PART NAME	QTY	TRACTOR SERIAL NO	A L L	REMARKS
1	RE251404	ROOF	1		X	
12	R117569	SCREW	12		X	
12	24M7100	WASHER	12		X	6.600 X 22 X 2 MM
4	R125869	PAD	4		X	
AR	R204258	COVER	AR		X	
2	24M7315	WASHER	2		X	17.150 X 3 MM
2	19M7394	CAP SCREW	2		X	M16 X 25
2	R152120	SEAL	2		X	
2	R152119	SPACER	2		X	
1	R249205	SHIELD	1		X	

FRONT SUNSHADE  
 PARE-SOLEIL AVANT  
 VORDERE SONNENBLLENDE  
 PARASOLE ANTERIORE  
 SOMBRILLA DELANTERA  
 FRAEMRE SOLSKYDD

RXA0060601 UN-16MAY02

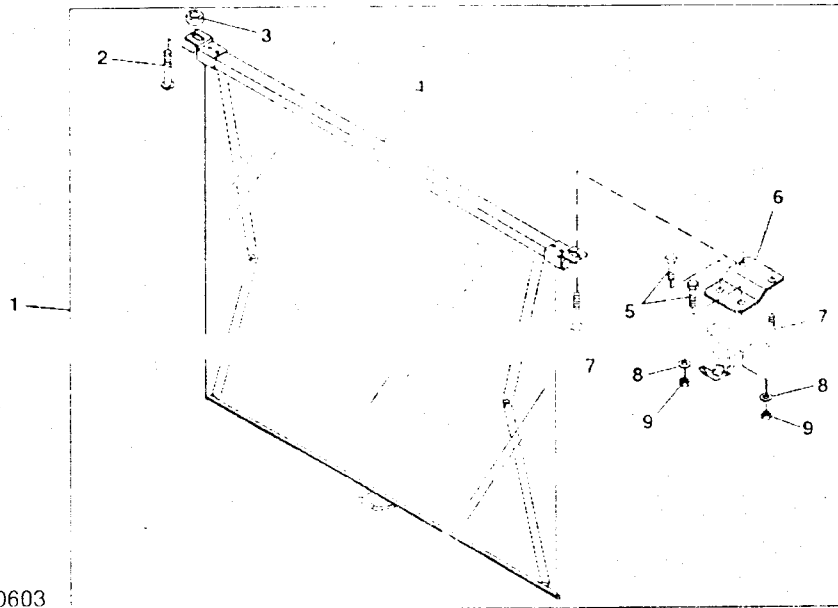


RXA0060601

KEY	PART NO	PART NAME	QTY	CAB SERIAL NO.	A L L	REMARKS
1	RE197943	SHADE CURTAIN	1		X	
2	R128728	SCREW	1		X	
3	24H1923	WASHER	1		X	9/32" X 3/4" X 0.120"
4	RE197857	SHADE CURTAIN	1		X	
5	19M7560	CAP SCREW	2		X	M6 X 10
6	R197870	ADAPTER FITTING	1		X	
7	R128728	SCREW	2		X	
8	24H1286	WASHER	2		X	9/32" X 1/2" X 0.120"
9	14M7272	NUT	2		X	M6
	R126355	SCREW	3		X	

REAR SUNSHADE  
 PARE-SOLEIL ARRIERE  
 HINTERE SONNENBLLENDE  
 PARASOLE POSTERIORE  
 SOMBRILLA TRASERA  
 BAKRE SOLSKYDD

RXA0060603 -UN-16MAY02

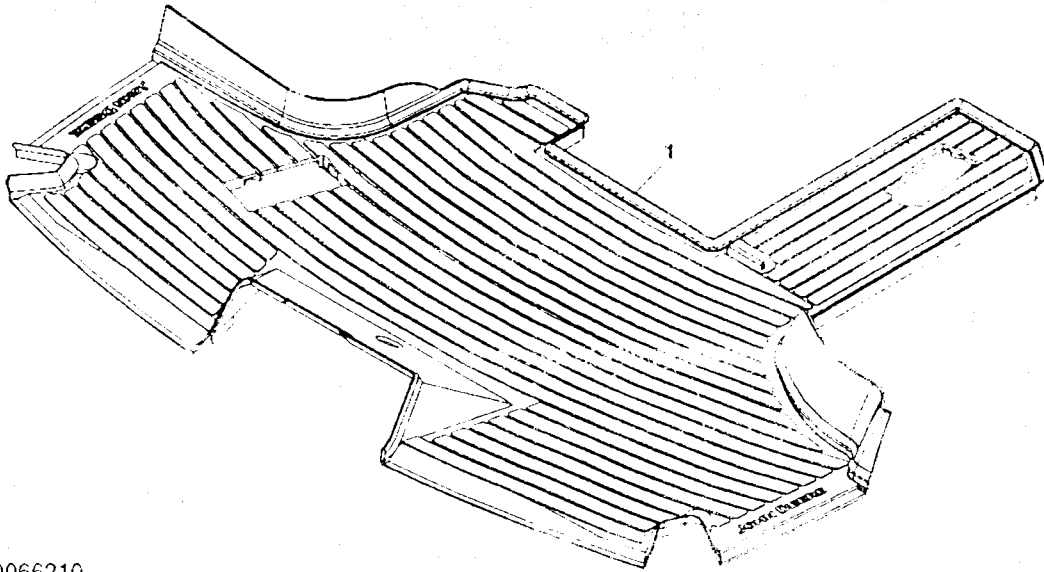


RXA0060603

PART NO.	PART NAME	QTY	UNIT	REMARKS
RE197944	SHADE CURTAIN	1		
R128728	SCREW	1		
24H1923	WASHER	1		X 9/32" X 3/4" X 0.120"
RE197869	SHADE CURTAIN	1		
19M7560	CAP SCREW	2		X M6 X 16
R197870	ADAPTER FITTING	1		
R128728	SCREW	1		
24H1923	WASHER	1		X 9/32" X 1/2" X 0.116"
14M7272	NUT	1		X M6

FLOOR MAT  
TAPIS  
FUSSMATTE  
TAPPETINO  
FELPUDO  
DURKMATTA

RXA0066210 -UN-14MAR03



RXA0066210

KEY	PART NO.	PART NAME	QTY.	CAB SERIAL NO.	A L L	REMARKS
1	R244471	MAT	1		X	
	R217527	SPACER	1		X (B)	
	R221926	SPACER	1		X (A)	

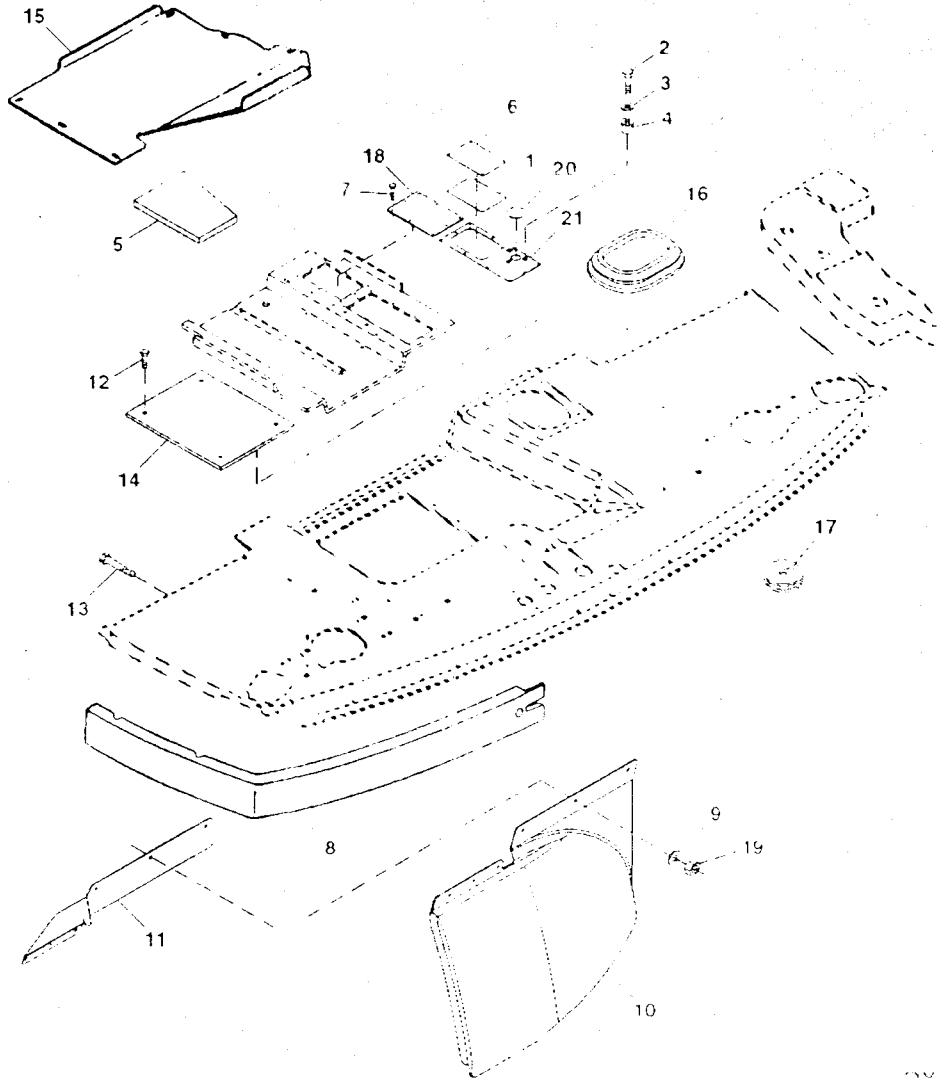
(A) W/ FOOT THROTTLE  
W/ ACCELERATEUR  
W/ DREHZAHVERSTELLHEBEL  
W/ ACCELERATORE  
W/ ACELERADOR  
W/ PAADRAGSARM

(B) W/O FOOT THROTTLE  
W/O ACCELERATEUR  
W/O DREHZAHVERSTELLHEBEL  
W/O ACCELERATORE  
W/O ACELERADOR  
W/O PAADRAGSARM

FLOOR  
PLANCHER  
FUSSBODEN  
PAVIMENTO  
PISO  
GOLV

HXA0083105

UN-05AUG05



HXA0083105

THIS PARTS LISTING IS CONTINUED

KEY	PART NO.	PART NAME	QTY.	CAB SERIAL NO.	A	REMARKS
					L	
1	R83066	ISOLATOR	1		X	
2	19M7168	CAP SCREW	3		X	M10 X 30
3	24M7178	WASHER	3		X	10.500 X 30 X 2.500 MM
4	AT116162	ISOLATOR	3		X	
5	RE235907	BARRIER	1		X	
6	R190300	PLATE	1		X	(B)
7	37M7089	SCREW	18		X	M5 X 12
8	R167959	RISER	1		X	R.H.
	R167960	RISER	1		X	L.H.
9	24M7139	WASHER	3		X	6.400 X 18 X 1.600 MM
10	R192279	FENDER	1		X	R.H. LOW
	R171714	FENDER	1		X	L.H. LOW
11	R171711	BRACKET	1		X	R.H.
	R171712	BRACKET	1		X	L.H.
12	37M7079	SCREW	4		X	
13	19M7862	SCREW	3		X	M6 X 20
	R120515	PLATE	1		X	
15	R124255	FOOTREST	1		X	
16	R167721	PLUG	1		X	
	R192564	GROMMET	1		X	(B)
17	R112645	GROMMET	1		X	(A)
	R208233	PLUG	1		X	(W/O AUTOTRAC)
18	R169921	PLATE	1		X	
19	14M7272	NUT	3		X	M6
20	A52024	PLUG	1		X	
21	R202860	PLATE	1		X	(B)
	R190301	PLATE	1		X	

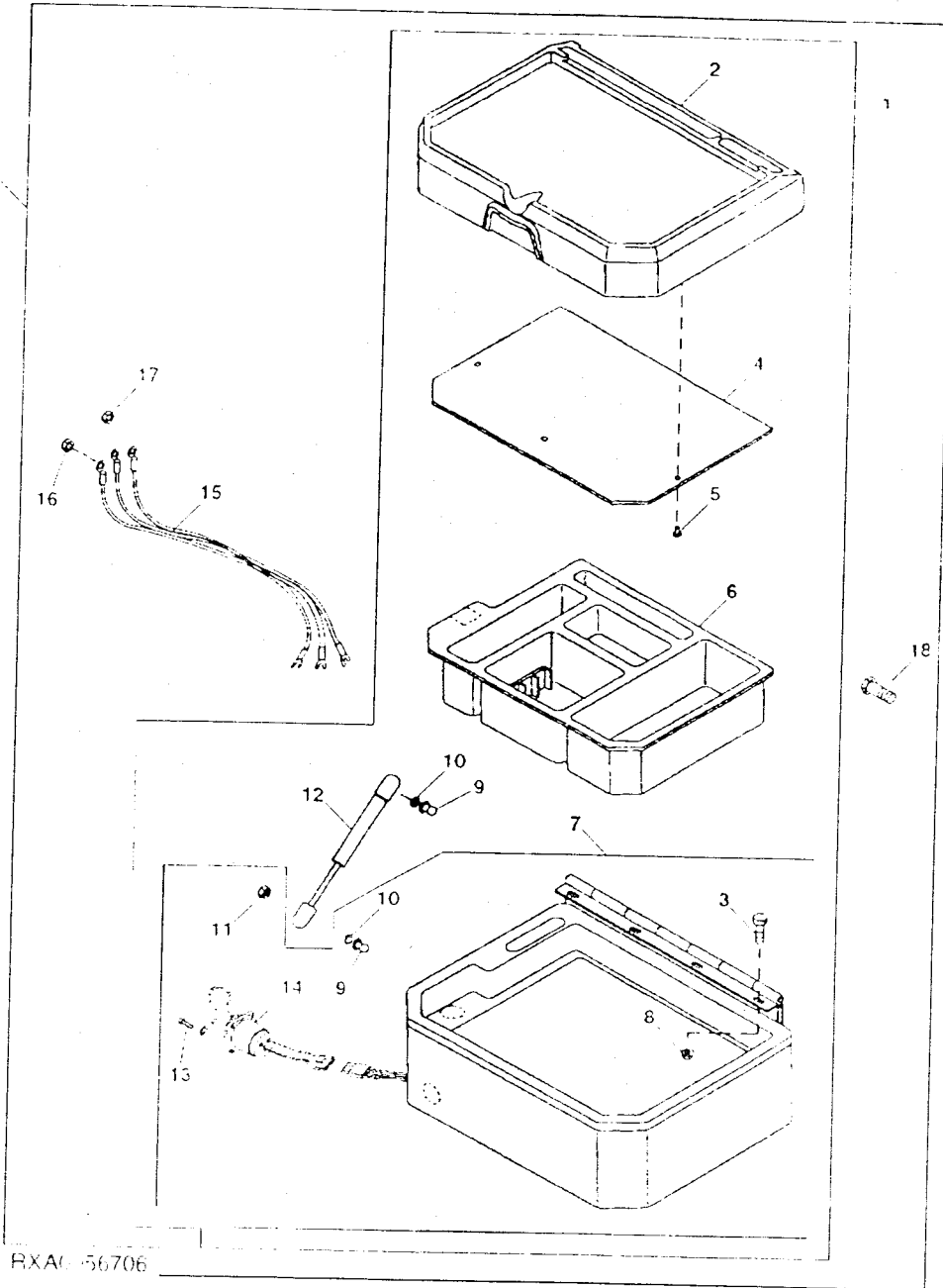
(A) WIRING HARNESS, AUTOTRAC  
 FAISCEAU DE CABLES, AUTOTRAC  
 KABELBAUM, AUTOTRAC  
 CABLAGGIO, AUTOTRAC  
 GRUPO DE CABLES, AUTOTRAC  
 KABELHAERVA, AUTOTRAC

(B) SEAT SUSPENSION W/ACTIVE SEAT  
 W/SIEGE A SUSPENSION REGLABLE  
 W/SITZ MIT EINSTELLBARER  
 W/SEDILE CON SOSPENSIONE REGOLABILE  
 W/SUSPENSION DE CON ASIENTO ACTIVA  
 W/INSTAELLBART SAETE



FIELD OFFICE  
BUREAU MOBILE  
BORD-BUERO  
UFFICIO MOBILE  
OFICINA PORTATIL  
TRAKTORKONTOR

RXA0056706 -UN-28AUG01



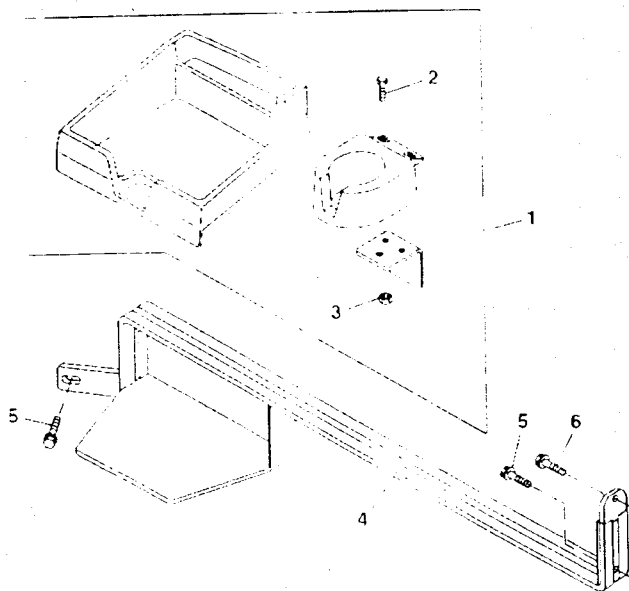
RXA0056706

KEY	PART NO.	PART NAME	QTY.	CAB SERIAL NO.	A L L	REMARKS
1	RE69150	TRAY	1		X	
2	RE64874	COVER	1		X	
3	03M7251	BOLT	6		X	M6 X 12
4	R134152	INSERT	1		X	
5	R132143	SCREW	3		X	
6	RE67459	TRAY	1		X	
7	RE69149	BASE	1		X	
8	14M7303	FLANGE NUT	6		X	M6
9	R131499	BALL STUD	2		X	
10	24M7088	WASHER	2		X	6 600 X 12 X 1 600 MM
11	14H378	NUT	2		X	14
12	R131498	CYLINDER	1		X	
13	R133192	RIVET	8		X	
14	RE37640	SOCKET OUTLET	1	-XXXXXX	X	
	RE241868	WIRING HARNESS	1	XX XXXX	X	(A)
15	RE67821	WIRING HARNESS	1		X	
16	14M7297	NUT	2		X	M6
17	14M7194	NUT	1		X	M6
18	37M7090	SCREW	4		X	M6 X 16
19	03R116863	TRAY	1		X	

(A) EUROPEAN VERSION  
 VERSION EUROPEENNE  
 EUROPÄISCHE AUSFUEHRUNG  
 VERSIONE EUROPEA  
 VERSION EUROPEA  
 EUROPEISK VERSION

UTILITY TRAY/BEVERAGE HOLDER KIT  
 PARA-SOLEIL  
 SONNENBLLENDE  
 PARASOLE  
 PARASOL  
 SOLSKYDD

RXA0085766 UN-10JAN06



RXA0085766

KEY	PART NO.	PART NAME	QTY	TRACTOR SERIAL NO	A L L	REMARKS
1	RE162644	BRACKET	1		X	
2	19M7168	CAP SCREW	1		X	M10 X 30
3	14M7274	NUT	1		X	M10
4	RE245374	BRACKET	1		X	
	19M7784	SCREW	2		X	M10 X 20
	19M7783	SCREW	1		X	M10 X 16

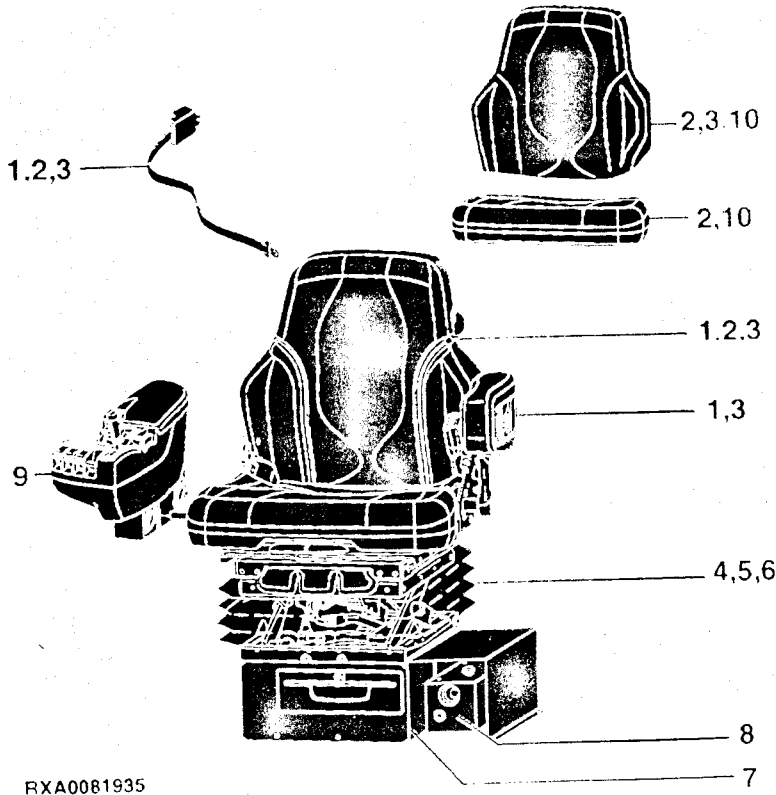
# 92-A01

SEAT

SECTIONAL INDEX  
 INDEX DE SECTION  
 GRUPPENINDEX  
 INDICE DELLA SEZIONE  
 INDICE DE SECCION  
 GRUPPSFORTECKNING

RXA0081935 -UN-

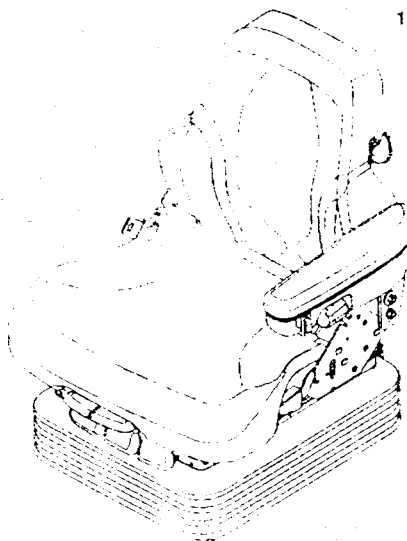
1-	1
2-	2
3-	4
4-	6
5-	8
6-	10
6-	12
6-	14
7-	16
8-	18
10-	20



RXA0081935

COMPLETE SEAT  
 SIEGE COMPLET  
 VOLLSTAENDIGER SITZ  
 SEDILE COMPLETO  
 ASIENTO COMPLETO  
 KOMPLETT SAETE

RXA0066852 -UN-29APR03



RXA0066852

KEY	PART NO.	PART NAME	QTY	TRACTOR SERIAL NO.	ALL	REMARKS
1	RE183943	SEAT	1		X	(C) (INCLUDES RE225258, RE225254, RE225257 AND (2) R218578)
	RE183942	SEAT	1		X	(B) (C) (INCLUDES RE225260, RE225254, RE225257 AND (2) R218578)
	RE163451	SEAT	1		X	(A) (B) (INCLUDES RE176216, RE175876 AND (2) R218578)
	RE163452	SEAT	1		X	(A) (INCLUDES RE176215, RE175876 AND (2) R218578)

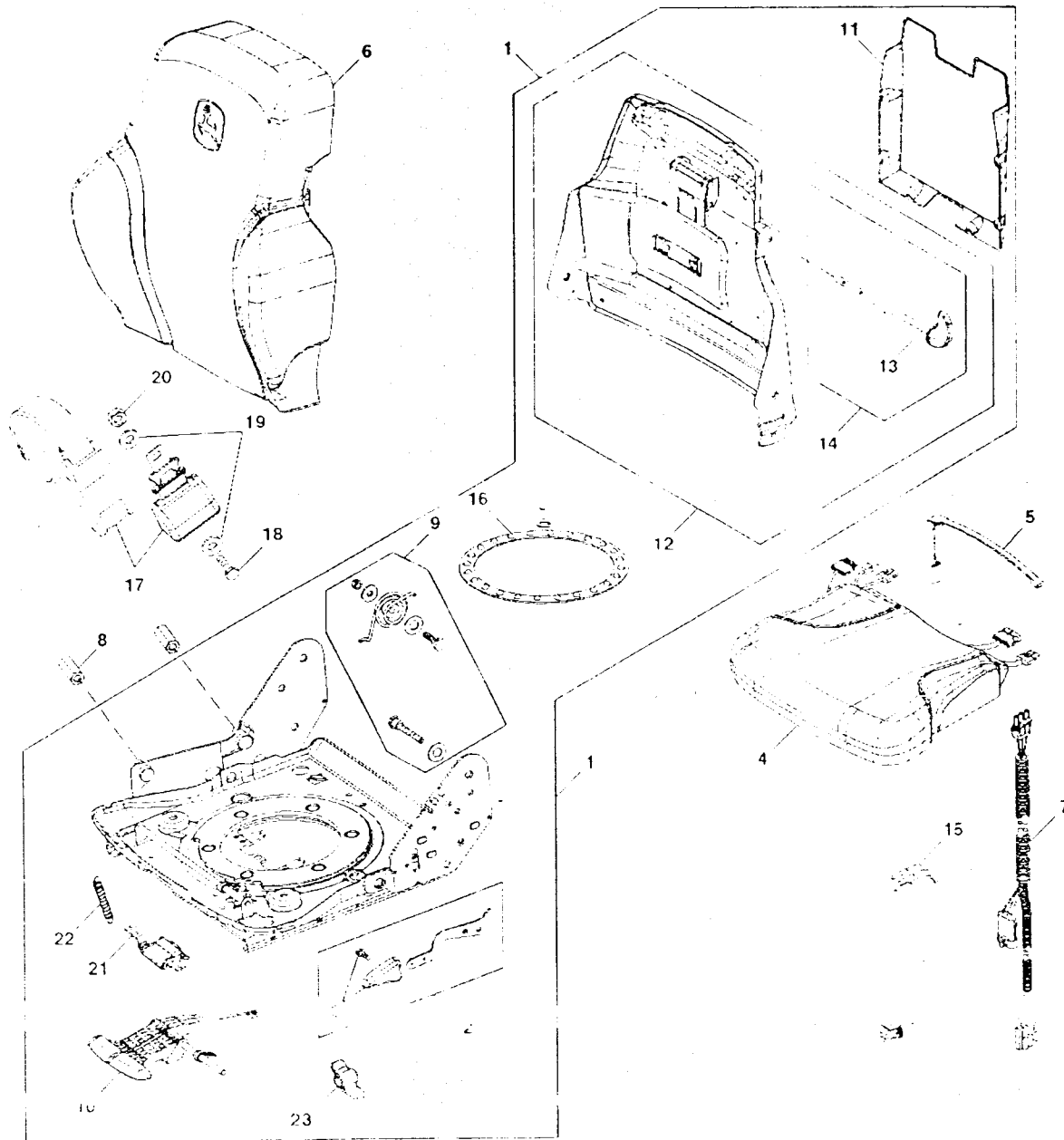
(A) ACTIVE SEAT ASSEMBLY  
 SIEGE ACTIF  
 AKTIVE SITZ-BAUGRUPPE  
 GRUPPO SEDILE ATTIVO  
 CONJUNTO DE ASIENTO ACTIVO  
 AKTIV SITS

(C) AIR SEAT  
 SIEGE PNEUMATIQUE  
 LUFTGEFEDERTER SITZ  
 SEDILE PNEUMATICO  
 ASIENTO NEUMATICO  
 LUFTFJAEDRAT SAETE

(B) ARTICULATING ARMREST  
 ACCOUDOIR ARTICULE  
 SCHARNIER-ARMLEHNE  
 BRACCIOLO ARTICOLATO  
 APOYABRAZOS ARTICULADO  
 VIBBART ARMSTOED

SEAT KITS  
SEMBLE DE SIEGE  
ZAUFLAGEN  
RIE PEZZI DEL SEDILE  
GO PARA ASIENTO  
ETESSATS

080580 -UN-06MAY05



FIXA0080580

THIS PARTS LISTING IS CONTINUED

8130, 8230, 8330, 8430, 8530 TRACTORS PC9451 (08-AUG-05; PN=962

# 92-5

SEA

KEY	PART NO.	PART NAME	QTY.	TRACTOR SERIAL NO.	A L L	REMARKS
1	14H1076	NUT	2		X	3/8"
2	24H1136	WASHER	1		X	11/32" X 11 16" X 0.065"
3	24H1305	WASHER	1		X	13/32" X 13 16" X 0.065"
4	R234805	PLUG	1		X	
5	M115279	PLUG	1		X	
6	RE233383	ARMREST KIT	1		X	
7	RE188731	ARMREST KIT	1		X	(A)
	AT315761	PAD	1		X	(B)
8	21M7296	SCREW	1		X	M6 X 20
9	RE228095	TOGGLE/ROCKER SWITCH	1		X	(D)
	RE225257	SWITCH	1		X	(C)
10	RE189796	KIT	1		X	(G)
11	T205672	SPACER	1		X	
12	AT195441	ARMREST KIT	1		X	(B)
	AT203016	ARMREST KIT	1		X	(A)
13	RE234800	ARMREST	1		X	(E) (LH)
14	RE166302	SEAT KIT	1		X	
15	RE166304	SEAT KIT	1		X	
16	R225262	BEZEL	2		X	
17	RE224099	SWITCH	1		X	(F)
18	AT195442	ARMREST KIT	1		X	L.H.
19	37M7185	SCREW	4		X	
20	19M8752	SCREW	1		X	M10 X 20
21	RE176220	ARMREST KIT	1		X	(C)
	RE188735	SEAT KIT	1		X	(D)
	T177591	BOLT	1		X	(USE WITH RE233383)

(A) BROWN  
MARRON  
BRAUN  
MARRONE  
MARRON  
BRUN

(B) BLACK  
NOIR  
SCHWARZ  
NERO  
NEGRO  
SVART

(C) AIR SEAT  
SIEGE PNEUMATIQUE  
LUFTGEFEDERTER SITZ  
SEDILE PNEUMATICO  
ASIENTO NEUMATICO  
LUFTFJAEDRAT SAETE

(D) ACTIVE SEAT  
SIEGE REGLABLE  
EINSTELLBARER SITZ  
SEDILE REGOLABILE  
ASIENTO ADJUSTABLE  
INSTAELLBART SAETE

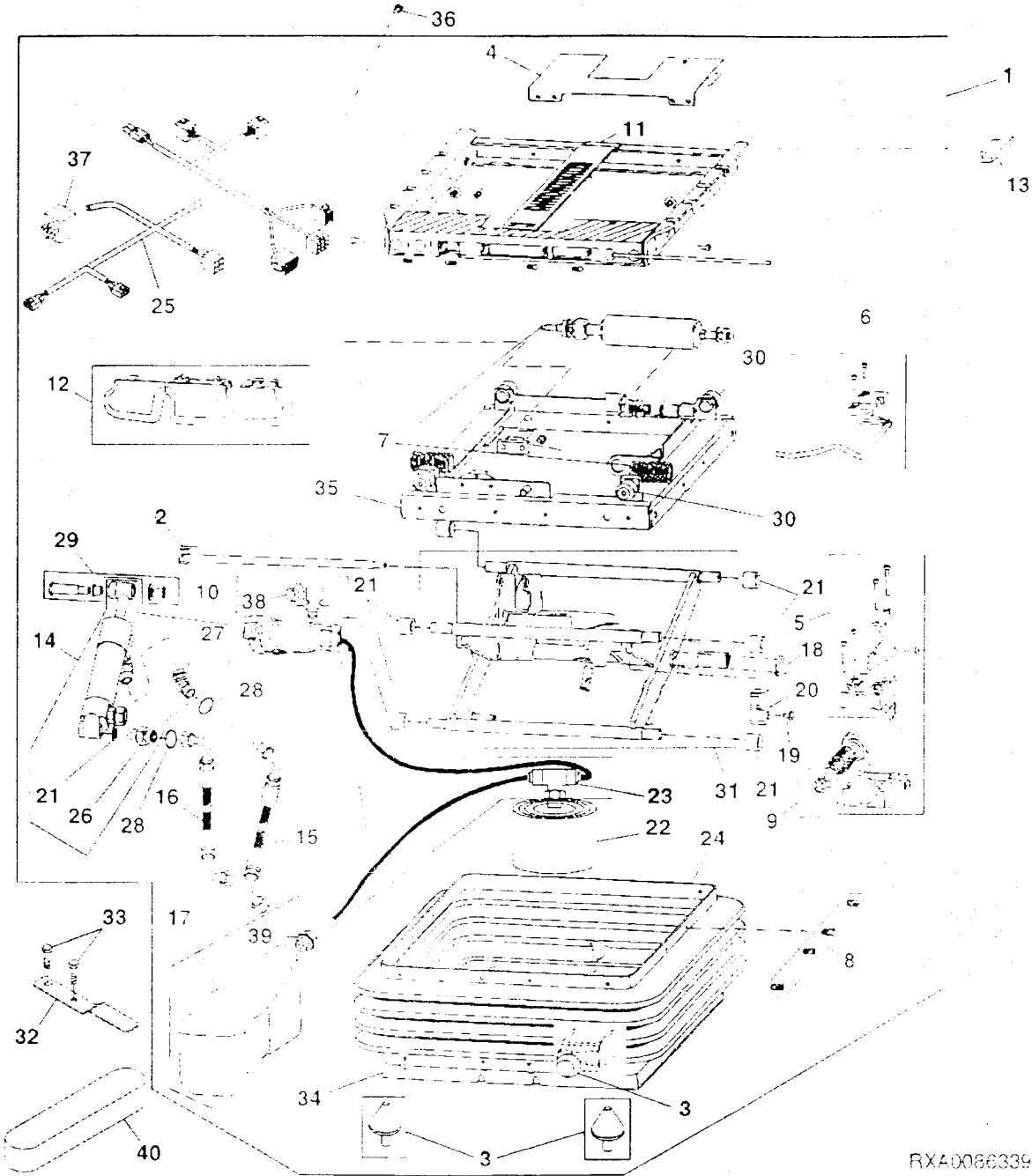
(E) ARTICULATING ARMREST  
ACCOUDOIR ARTICULE  
SCHARNIER-ARMLEHNE  
BRACCILO ARTICOLATO  
APOYABRAZOS ARTICULADO  
VRIDBART ARMSTOED

(F) SEAT HEATER  
CHAUFFE-SIEGE  
SITZHEIZUNG  
RISCALDATORE DEL SEDILE  
CALEFACTOR DE ASIENTO  
SITSVARMARE

(G) RIDE FIRMNESS SWITCH  
INTERRUPTEUR DE REGLAGE DE SUSPENSION  
SITZDAEMPfungSEINSTELLSCHALTER  
INTERRUTTORE RIGIDITA' SEDILE  
CONMUTADOR DE CONTROL DE SUSPENSION  
SITSFJAEDRINGSKONTAKT

ACTIVE SEAT SUSPENSION  
SEAT A SUSPENSION REGLABLE  
SITZ MIT EINSTELLBARER  
SEDILE CON SOSPENSIONE REGOLABILE  
SUSPENSION DE CON ASIENTO ACTIVA  
NSTAELLBART SAETE

RX40086339 -UN-01FEB06



RX40086339



# 92-5

SEA

KEY	PART NO.	PART NAME	QTY	TRACTOR SERIAL NO.	A L L	REMARKS
1	14H1076	NUT	2		X	3/8"
2	24H1136	WASHER	1		X	11/32" X 11 16" X 0.065"
3	24H1305	WASHER	1		X	13/32" X 13 16" X 0.065"
4	R234805	PLUG	1		X	
5	M115279	PLUG	1		X	
6	RE233383	ARMREST KIT	1		X	
7	RE188731	ARMREST KIT	1		X	(A)
	AT315761	PAD	1		X	(B)
8	21M7296	SCREW	1		X	M6 X 20
9	RE228095	TOGGLE/ROCKER SWITCH	1		X	(D)
	RE225257	SWITCH	1		X	(C)
10	RE189796	KIT	1		X	(G)
11	T205672	SPACER	1		X	
12	AT195441	ARMREST KIT	1		X	(B)
	AT209016	ARMREST KIT	1		X	(A)
13	RE234800	ARMREST	1		X	(E) (LH)
14	RE166302	SEAT KIT	1		X	
15	RE166304	SEAT KIT	1		X	
16	R225262	BEZEL	2		X	
17	RE224099	SWITCH	1		X	(F)
18	AT195442	ARMREST KIT	1		X	L.H.
19	37M7185	SCREW	4		X	
20	19M8752	SCREW	1		X	M10 X 20
21	RE176220	ARMREST KIT	1		X	(C)
	RE188735	SEAT KIT	1		X	(D)
	T177591	BOLT	1		X	(USE WITH RE233383)

(A) BROWN  
MARRON  
BRAUN  
MARRONE  
MARRON  
BRUN

(B) BLACK  
NOIR  
SCHWARZ  
NERO  
NEGRO  
SVART

(C) AIR SEAT  
SIEGE PNEUMATIQUE  
LUFTGEFEDERTER SITZ  
SEDILE PNEUMATICO  
ASIEN TO NEUMATICO  
LUFTJAE DRAT SAETE

(D) ACTIVE SEAT  
SIEGE REGLABLE  
EINSTELLBARER SITZ  
SEDILE REGOLABILE  
ASIEN TO ADJUSTABLE  
INSTAELLBART SAETE

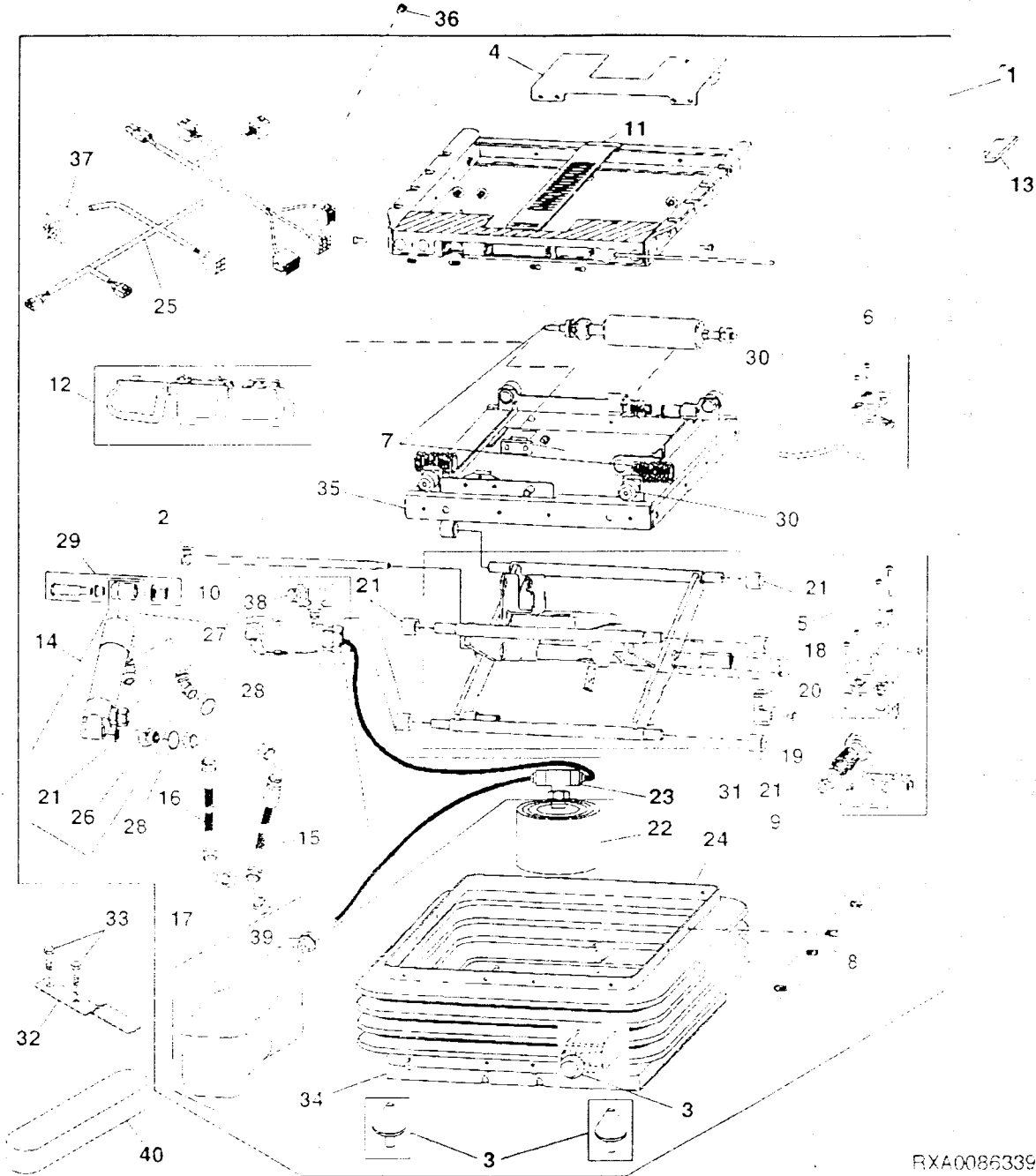
(E) ARTICULATING ARMREST  
ACCOUDOIR ARTICULE  
SCHARNIER-ARMLEHNE  
BRACCIOL O ARTICOLATO  
APOYABRAZOS ARTICULADO  
VRIDBART ARMSTOED

(F) SEAT HEATER  
CHAUFFE-SIEGE  
SITZHEIZUNG  
RISCALDATORE DEL SEDILE  
CALEFACTOR DE ASIEN TO  
SITSV AERMARE

(G) RIDE FIRMNESS SWITCH  
INTERRUPTEUR DE REGLAGE DE SUSPENS ION  
SITZDAEMP FUNGSEINSTELLSC HALTER  
INTERRUTTORE RIGIDITA' SEDILE  
CONMUTADOR DE CONTROL DE SUSPENS ION  
SITSFJAE DRINGSKONTAKT

ACTIVE SEAT SUSPENSION  
SEAT A SUSPENSION REGLABLE  
SITZ MIT EINSTELLBARER  
SEDILE CON SOSPENSIONE REGOLABILE  
SUSPENSION DE CON ASIENTO ACTIVA  
INSTAELLBART SAETE

RXA0086339 UN-01FEB06



RXA0086339

KEY	PART NO	PART NAME	QTY	CAB SERIAL NO	A L L	REMARKS
1	RE166326	SEAT SUSPENSION	1		X	
2	RE166328	SEAT KIT	1		X (A)	
3	RE166329	SEAT KIT	1		X (B)	
4	RE166330	SEAT KIT	1		X (C)	
5	RE166331	SEAT KIT	1		X (D)	(SUB RE246423)
6	RE166334	SEAT KIT	1		X (E)	
7	RE166337	SEAT KIT	1		X (F)	
8	RE166406	SEAT KIT	1		X (G)	
9	RE166416	SEAT SHOCK ABSORBER KIT	1		X (H)	
10	RE166417	KIT	1		X (I)	(INCLUDES RE255699)
11	RE166419	SEAT KIT	1		X (J)	
12	RE166421	SEAT KNOB KIT	1		X (K)	
13	ATE1301	SEAT	1		X (L)	
14	RE166422	ATTENUATOR	1		X	

A RETAINING SHAFT  
 ARBRE DE RETENUE  
 SICHERUNGSWELLE  
 ALBERO DI RITENUGNO  
 EJE RETENEDOR  
 AATERHAALRAZEL

(C) COVER PLATE  
 PLAQUE-COUCRACLE  
 ABDECKPLATTE  
 PIASTRA DI COPERTURA  
 SKYDDSPLAAT  
 SKYDDSPLAAT

(D) FORE-APT ATTENUATOR BLOCK  
 BLOC D'ATTENUATEUR SUR LAZE LONGITUDINAL  
 VOR ZUR LECHTSITZDAEMPFERBLOCK  
 BLOCCAGGIO DELLA ATTENUAZIONE IN SENSO LONGITUDINALE  
 BLOQUE ATTENUADOR LONGITUDINAL  
 SITSDAEMPFERBLOCK LAENGDRIKTNINGEN

(E) FORE-APT ISOLATOR CONTROL  
 COMMANDE D'ISOLATION LONGITUDINALE  
 VOR ZUR LECHTSOLIERSTEUERUNG  
 COMANDO TAMPONE ANTIVIBRAZIONI LONGITUDINALE  
 CONTROL AMORTIGUADOR LONGITUDINAL  
 ISOLATORSTYRNING LAENGDRIKTNINGEN

(G) BOOT ATTACHING HARDWARE  
 SOULONNERIE DE FIXATION DE SABOT  
 BALGBEFESTIGUNGSTEILE  
 VITERIA E FISSAGGIO PROTEZIONE  
 TORNILLERIA DE FIJACION DE FUNDA  
 FAESTLEMENT FOER BAELG

(H) AIR COMPRESSOR  
 COMPRESSEUR D'AIR  
 LUFTKOMPRESSOR  
 COMPRESSORE DELL'ARIA  
 COMPRESOR DE AIRE  
 LUFTKOMPRESSOR

(K) SUSPENSION KNOB  
 BOUTON DE SUSPENSION  
 FEDERUNGSKNOPF  
 MANOPOLA SOSPENSIONE  
 PERILLA DE SUSPENSION  
 FJAEDRINGSHANDTAG

(B) SUSPENSION BUMPER  
 BUTON DE SUSPENSION  
 FEDERUNGSPUFFER  
 RESPINGENTE SOSPENSIONE  
 BLOQUE PARACHOQUES DE SUSPENSION  
 FJAEDRINGSBUFFERT

(F) LATERAL ATTENUATOR  
 ATTENUATEUR LATERAL  
 SEITENDAEMPFER  
 COMPENSATORE LATERALE  
 ATENUADOR DE MOVIMIENTO  
 DAEMPFER I SIDLED

(H) FORE-APT ATTENUATOR  
 ATTENUATEUR LONGITUDINAL  
 LAENGSDAEMPFER  
 COMPENSATORE AVANTI E RETRO  
 ATENUADOR DE MOVIMIENTO LONGITUDINAL  
 DAEMPFER I LAENGDRIKTNING

(J) LATERAL ISOLATOR HOUSING  
 LOGEMENT D'ISOLATEUR LATERAL  
 GEHAUSE DES SEITLICHEN SCHWINGUNGSDAEMPFERES  
 ALLOGGIAMENTO SMORZATORE LATERALE  
 CAJA DE AMORTIGUADOR LATERAL  
 DAEMPFERUS FOER SVAEJNING I SIDLED

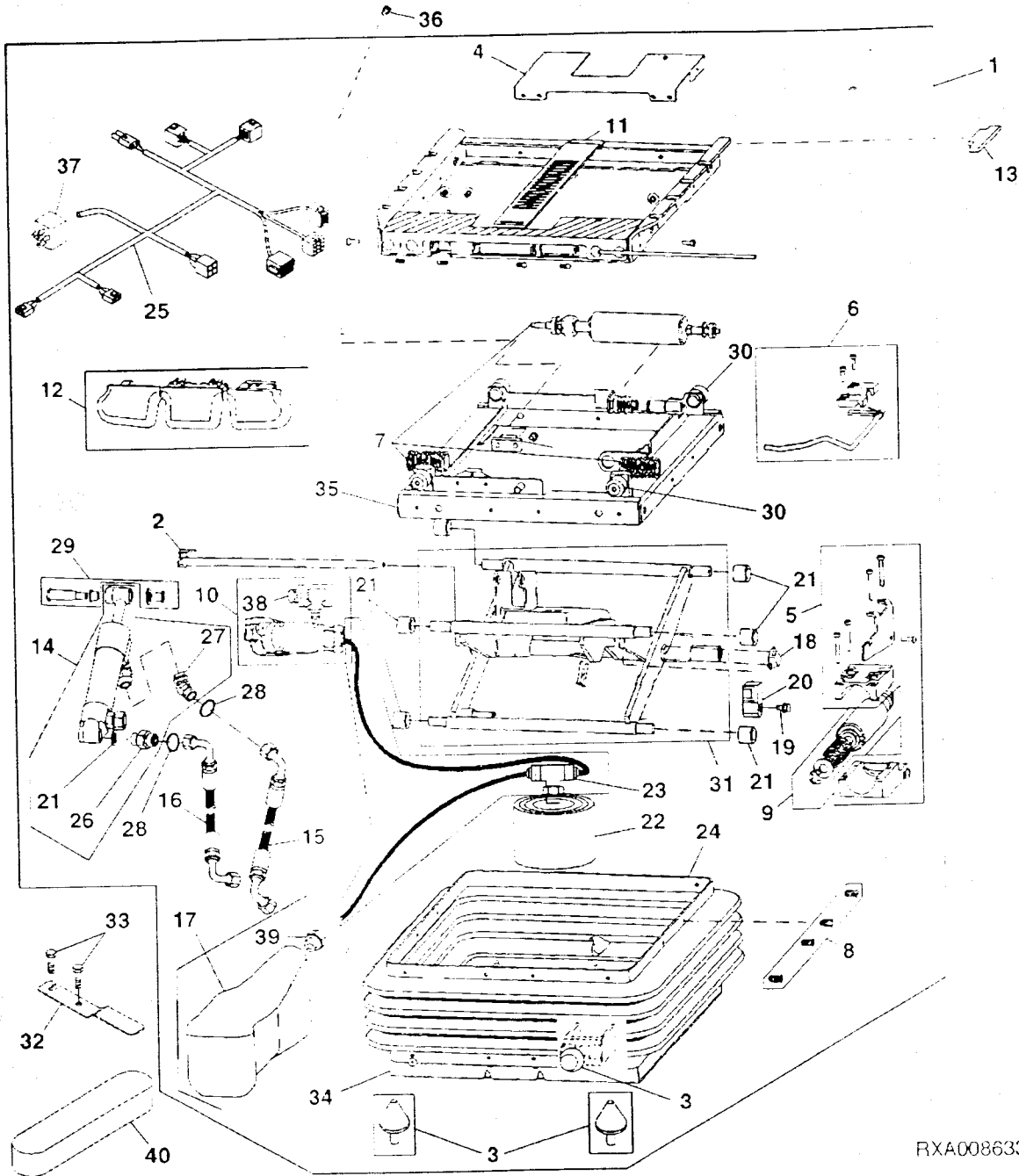
(L) SLIDE PUCK  
 DISQUE DE GLISSMENT  
 GLEITSTUECK  
 PIASTRA SCORREVOLE  
 CORREDERA  
 GLIDSTYCKE

THIS PARTS LISTING IS CONTINUED

ACTIVE SEAT SUSPENSION - CONTINUED  
SEAT A SUSPENSION REGLABLE - A SUIVRE  
SITZ MIT EINSTELLBARER - FORTS.  
SEDILE CON SOSPENSIONE REGOLABILE - CONTINUA  
SUSPENSION DE CON ASIENTO ACTIVA - CONTINUACION  
INSTAELLBART SAETE - FORTS.

RXA0086339

-UN-01FEB06



RXA0086339

THIS PARTS LISTING IS CONTINUED

8130, 8230, 8330, 8430, 8530 TRACTORS PC9451 (23-FEB-06) PA-968

KEY	PART NO.	PART NAME	QTY.	CAB SERIAL NO.	A L L	REMARKS
15	RE165590	HOSE	1		X (M)	
16	RE165591	HYDRAULIC HOSE	1		X (N)	
17	RE189408	SEAT KIT	1		X (O)	(INCLUDES RE250901)
18	RE247416	SENSOR	1		X (P)	(SUB FOR RE165207) (ALSO ORDER (2) 37M7089)
19	37M7089	SCREW	2		X M6 X 12	
	19H3070	SCREW	2		X 0.190" X 1-1.4"	(USE WITH RE241784)
20	RE189407	KIT	1		X (Q)	(SUB RE241784)
21	RE166335	SEAT BEARING ROLLER KIT	1		X	
22	RE65694	AIR SPRING SEAT KIT	1		X (SUB RE250900)	
23	RE188717	SEAT KIT	1		X (R)	(SUB RE246424)
24	R167427	SEAT SUSPENSION BOOT KIT	1		X	
25	RE239997	WIRING HARNESS	1		X	
	RE224093	WIRING HARNESS	1		X (T) (U)	
26	38H5037	ADAPTER FITTING	1		X	
27	38H5035	ELBOW FITTING	1		X	
28	T77613	O-RING	1		X	
29	RE188727	BUSHING KIT	1		X	
30	RE166336	SEAT KIT	1		X (S)	
31	RE202670	KIT	1		X	
32	R183944	BRACKET	1		X	
33	H123995	SCREW	2		X	
34	RE225716	HOUSING	1		X	
35	RE224848	HOUSING	1		X	
36	37M7089	SCREW	1		X M6 X 12	
37	RE68327	RELAY	1		X	
38	RE255699	TEE FITTING	1		X	
39	RE250901	HOSE FITTING	1		X	
40	R210189	PAD	1		X	

(M) HOSE, ROD END  
FLEXIBLE, COTE TIGE  
SCHLAUCH, STANGENENDE  
TUBO FLESSIBILE, LATO BIELLA  
MANGUERA, EXTREMO DE VARILLA  
SLANG, STAANGAENDA

(O) AUXILIARY RESERVOIR  
RESERVOIR AUXILIAIRE  
ZUSATZBEHAELTER  
SERBATOIO AUSILIARIO  
DEPOSITO AUXILIAR  
TILLSATSBEHAALLARE

(Q) ROTARY SENSOR  
ATTENUATEUR LONGITUDINAL  
LAENSDAEMPFER  
COMPENSATORE AVANTI/INDIETRO  
ATENUADOR DE MOVIMIENTO LONGITUDINAL  
DAEMPAERE I LAENGDRIKTNING

(S) ISOLATOR ROLLER  
ROULEAU D'ISOLATION  
ISOLIERROLLE  
RULLO TAMPONE ANTIVIBRAZIONE  
RODILLO AMORTIGUADOR  
ISOLATORRULLE

(U) NOT INCLUDED IN KIT  
NON INCLUS DANS LE JEU  
NICHT MIT DEM SATZ MITGELIEFERT  
NON COMPRESO NEL KIT  
NO FORMA PARTE DEL JUEGO  
INGAAR INTE I SATSEN

(N) HOSE, CAP END  
FLEXIBLE, COTE CAPUCHON  
SCHLAUCH, DECKELEND  
TUBO FLESSIBILE, LATO CAPPELLO  
MANGUERA, EXTREMO DE TAPA  
SLANG, MUFFAENDA

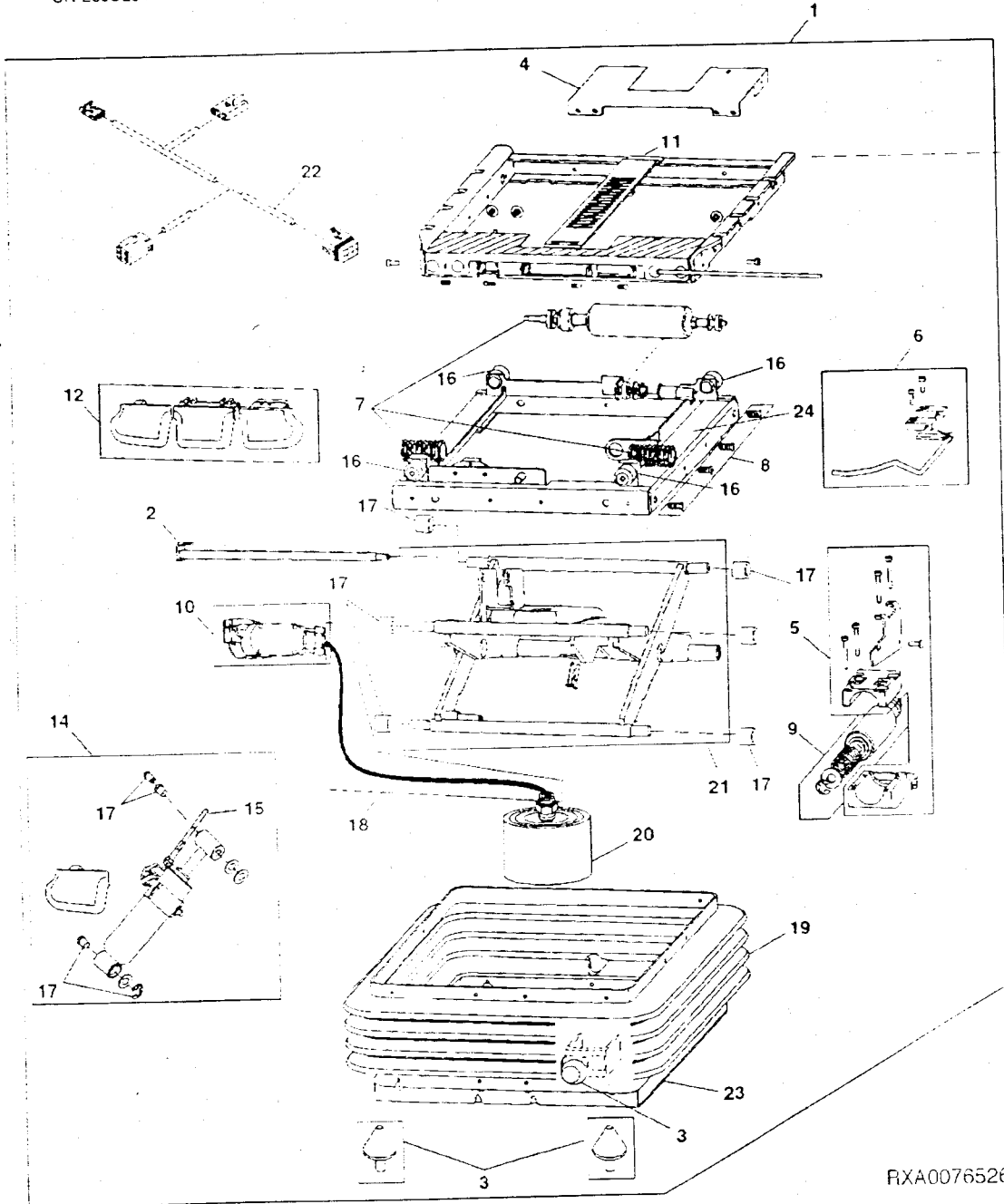
(P) ACCELEROMETER  
ACCELEROMETRE  
BESCHLEUNIGUNGSMESSE  
ACCELEROMETRO  
ACCELEROMETRO  
ACCELERATIONSMAETARE

(R) AIR LINE AND TEE FITTING  
CONDUITE D'AIR ET RACCORD EN T  
LUFTLEITUNG UND T-STUECK  
TUBAZIONE ARIA E RACCORDO A T  
LINEA NEUMATICA Y TE ADAPTADORA  
LUFTLEDNING OCH T-FOERS-RUENING

(T) LEATHER W/HEATER  
CUIR W/CHAUFFAGE  
LEDER W/HEIZUNG  
PELLE W/RISCALDAMENTO  
CUERO W/CALENTADOR  
LAEDER W/WAERMEANLAEGGNING

AIR SEAT SUSPENSION  
 SUSPENSION PNEUMATIQUE DE SIEGE  
 SITZ MIT LUFTFEDERUNG  
 SEDILE CON PNEUMOSOSPENSIONE  
 SUSPENSION DE ASIENTO NEUMATICO  
 SITIS MED LUFTJAEDRING

RXA0076526 -UN-26JUL04



RXA0076526

THIS PARTS LISTING IS CONTINUED

8130, 8230, 8330, 8430, 8530 TRACTORS PC9451 (23-FEB-06) PN=970

KEY	PART NO.	PART NAME	QTY.	CAB SERIAL NO	A L L	REMARKS
1	RE225254	SEAT SUSPENSION	1		X	(INCLUDES RE225257)
2	RE166328	SEAT KIT	1		X (A)	
3	RE188726	SEAT KIT	1		X (B)	
4	RE166332	PLATE	1		X	
5	RE166341	SEAT KIT	1		X (F)	(SUB RE246423)
6	RE166340	SEAT KIT	1		X (G)	
7	RE166337	SEAT KIT	1		X (H)	
8	RE167426	SEAT KIT	1		X (I)	
9	RE188716	SEAT SHOCK ABSORBER KIT	1		X (J)	
10	RE225256	COMPRESSOR	1		X (K)	
11	RE189405	SEAT KIT	1		X (L)	
12	RE166334	SEAT KIT	1		X (M)	
13	AT209020	KIT	1		X (N)	
14	RE182488	SEAT SHOCK ABSORBER KIT	1		X	
15	RE189402	SEAT KIT	1		X (D)	
16	RE166336	SEAT KIT	1		X (E)	
17	RE166335	SEAT BEARING ROLLER KIT	1		X	
18	RE166344	SEAT KIT	1		X (O)	(SUB RE246424)
19	RE167427	SEAT SUSPENSION BOOT KIT	1		X	
20	RE65694	AIR SPRING SEAT KIT	1		X	(SUB RE250900)
21	RE202669	KIT	1		X	
22	RE225255	WIRING HARNESS	1		X	
	RE224093	WIRING HARNESS	1		X (C)	
23	RE225715	HOUSING	1		X	
24	RE224846	HOUSING	1		X	
25	RE255699	TEE FITTING	1		X	

(A) RETAINING SHAFT  
ARBRE DE RETINUE  
SICHERUNGSWELLE  
ALBERO DI RITEGNO  
EJE RETENEDOR  
AATERHAALLARAZEL

(B) SUSPENSION BUMPER  
BUTOIR DE SUSPENSION  
FEDERUNGSPUFFER  
RESPINGENTE SOSPENSIONE  
BLOQUE PARACHOQUES DE SUSPENSION  
FJAEDRINGSBUFFERT

(C) LEATHER W/HEATER  
CUIR W/CHAUFFE-SIEGE  
LEDER W/SITZHEIZUNG  
PELLE W/RISCALDAMENTO  
CUEFO W/CALENTADOR  
LAEDER W/SITZVAERMARE

(D) SHOCK CABLE  
CABLE D'AMORTISSEUR  
STOSSDAEMPFUNGSSEIL  
CAVO AMMORTIZZATORE  
CABLE AMORTIGUADOR  
DAEMPARVAJER

(E) ISOLATER ROLLER  
ROULEAU D'ISOLATION  
ISOLIERROLLE  
RULLO TAMPONEANTIVIBRAZIC  
BARRA GUIA  
ISOLATORRULLE

(F) FORE-AFT ATTENUATOR BLOCK  
BLOC D'ATTENUATEUR SURL'AZE LONGITUDINAL  
VOR ZJRUECK-SITZDAEMPFERBLOCK  
BLOCCAGGIO DELL'ATTENUAZIONE IN SENSO LONGITUDINALE  
BLOQUE ATENUADOR LONGITUDINAL  
SITSDAEMPARBLOCK ILAENGDRIKTNINGEN

(G) FORE-AFT ISOLATOR CONTROL  
COMMANDE D'ISOLATION LONGITUDINALE  
VOR ZJRUECK-ISOLIERSTEUERUNG  
COMANDO TAMPONE ANTIVIBRAZIONI LONGITUDINALE  
CONTROL AMORTIGUADOR LONGITUDINAL  
ISOLATORSTYRNING I LAENGDRIKTNINGEN

(H) LATERAL ATTENUATOR  
ATTENUATEUR LATERAL  
SEITENDAEMPFER  
COMPENSATORE LATERALE  
ATENUADOR DE MOVIMIENTO  
DAEMPAR I SIDLED

(I) BOOT ATTACHING HARDWARE  
BOULONNERIE DE FIXATION DE SABOT  
BALGSEFESTIGUNGSTEILE  
VITERA DI FISSAGGIO PROTEZIONE  
TORILLERIA DE FIJACION DE FUNDA  
FAESTELEMEN FOER BAELG

(J) FORE-AFT ATTENUATOR  
ATTENUATEUR LONGITUDINAL  
LAENGSDAEMPFER  
COMPENSATORE AVANTI-INDIETRO  
ATENUADOR DE MOVIMIENTO LONGITUDINAL  
DAEMPAR I LAENGDRIKTNING

(K) AIR COMPRESSOR  
COMPRESSEUR D'AIR  
LUFTKOMPRESSOR  
COMPRESSORE DELL'ARIA  
COMPRESOR DE AIRE  
LUFTKOMPRESSOR

(L) LATERAL ISOLATOR HOUSING  
LOGEMENT D'ISOLATEUR LATERAL  
GEHAUSE DES SEITLICHEN SCHWINGUNGSDAEMPFRS  
ALLOGGIAMENTO SMORZATORE LATERALE  
CAJA DE AMORTIGUADOR LATERAL  
DAEMPARHUS FOER SVAENGNING I SIDLED

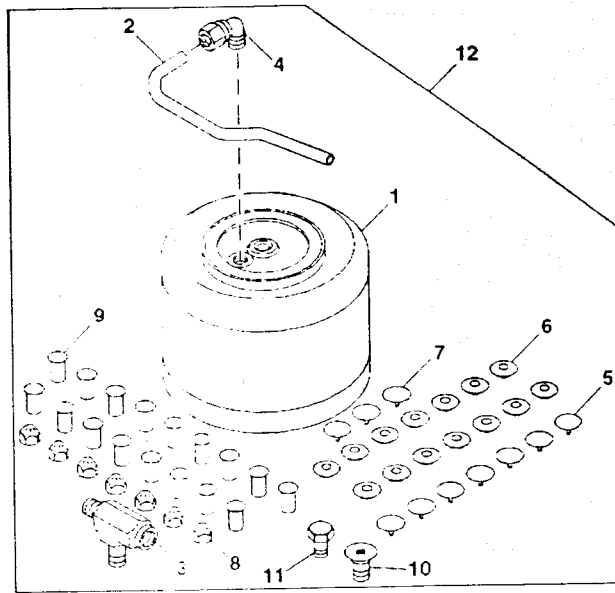
(M) SUSPENSION KNOB  
BOUTON DE SUSPENSION  
FEDERUNGSKNOPF  
MANOPOLA SOSPENSIONE  
PERILLA DE SUSPENSION  
FJAEDRINGSHANDTAG

(N) SLIDE PUCK  
DISQUE DE GLISSEMENT  
GLEITSTUECK  
PIASTRA SCORREVOLE  
CORREDERA  
GLIDSTYCKE

(O) AIR LINE  
CONDUITE D'AIR  
LUFTLEITUNG  
TUBAZIONE ARIA  
LINEA NEUMATICA  
LUFTLEDNING

SEAT KIT (AIR SPRING)  
 KIT DE SIÈGE (RESSORT PNEUMATIQUE)  
 SITZSATZ (LUFTFEDERUNG)  
 KIT SEDILE (SOSPENSIONE PNEUMATICA)  
 JUEGO DE SELLOS (RESORTE NEUMATICO)  
 SATS MED SITS (LUFTFJAEDRAD)

RXA0086157 -UN-24JAN06



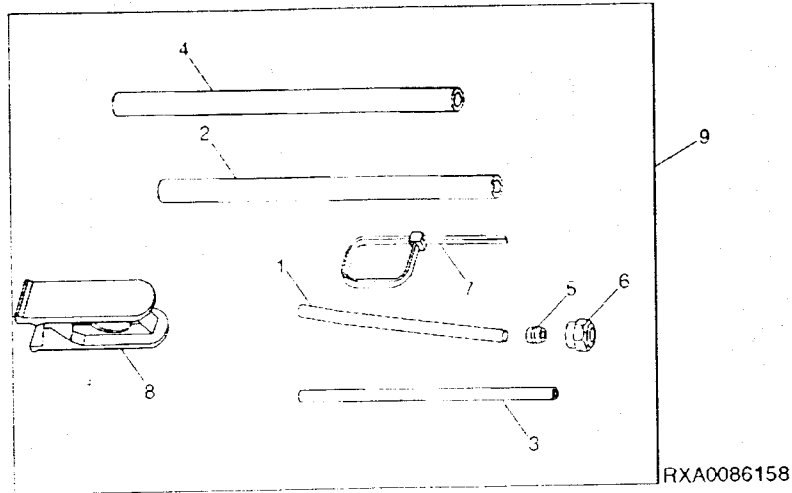
RXA0086157

KEY	PART NO.	PART NAME	QTY.	TRACTOR SERIAL NO.	A L L	REMARKS
1	.....	AIR SPRING SEAT KIT	1		X	
2	.....	TUBE	1		X	
3	RE250902	TEE FITTING	1		X	
4	RE250903	ELBOW FITTING	1		X	
5	.....	RIVET	7		X	
6	.....	RIVET	13		X	
7	.....	RIVET	3		X	
8	.....	NUT	7		X	
9	.....	HOLD-DOWN CLIP	17		X	
10	.....	SCREW	1		X	
11	.....	BOLT	1		X	
12	RE250900	AIR SPRING SEAT KIT	1		X	



SEAT KIT (AIR LINE)  
 ENSEMBLE DE SIEGE (CONDUITE D'AIR)  
 SITZAUFLAGEN (LUFTLEITUNG)  
 SERIE PEZZI DEL SEDILE (TUBAZIONE ARIA)  
 JUEGO PARA ASIENTO (LINEA NEUMATICA)  
 SAETESSATS (CONDUITE D'AIR)

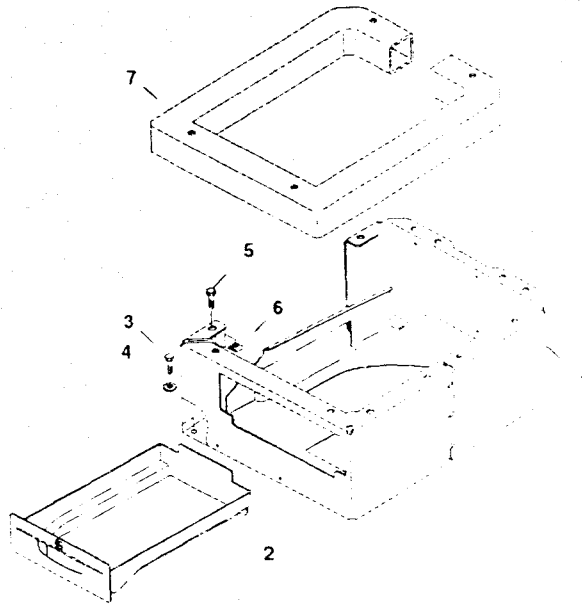
RXA0086158 -UN-24JAN06



KEY	PART NO.	PART NAME	QTY.	CAB SERIAL NO.	A L L	REMARKS
1	.....	TUBE	1		X	
2	.....	TUBE	1		X	
3	.....	TUBE	1		X	
4	.....	TUBE	1		X	
5	.....	SLEEVE FITTING	1		X	
6	.....	FITTING	1		X	
7	.....	TIE BAND	1		X	
8	.....	SPECIAL SERVICE TOOL	1		X	
9	RE246424	SEAT KIT	1		X	

SEAT SUPPORT  
 SUPPORT DE SIEGE  
 SITZSTUETZE  
 SUPPORTO DEL SEDILE  
 SOPORTE DEL ASIENTO  
 SITSSTOED

RXA0087975 -UN-29MAR06



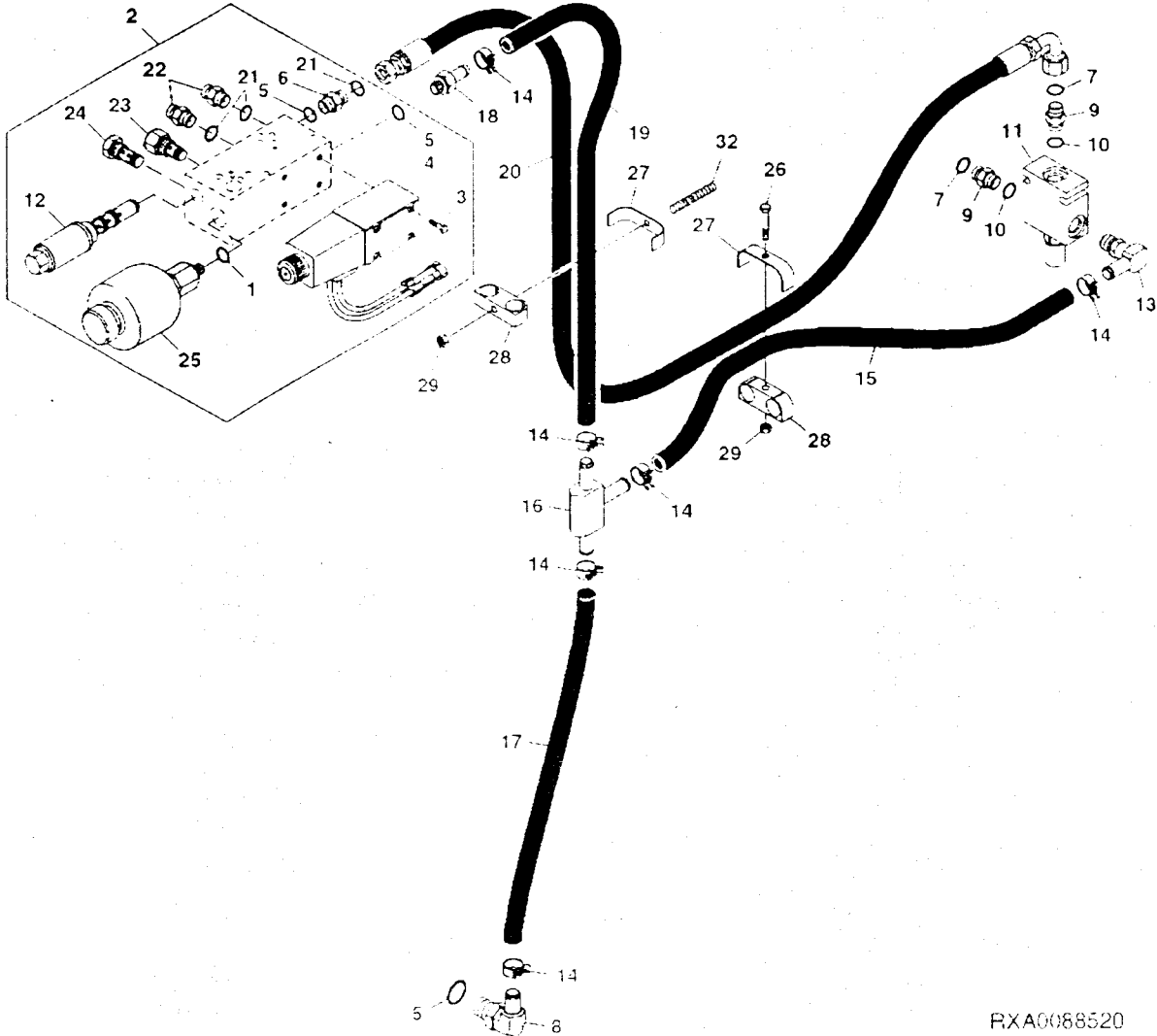
RXA0087975

KEY	PART NO.	PART NAME	QTY.	TRACTOR SERIAL NO.	A L L	REMARKS
1	RE169920	SUPPORT	1		X	
	R170061	MOLDING	1		X	(A)
2	R169925	DRAWER	1		X	
	R161928	DRAWER	1		X	
3	19M7166	CAP SCREW	4		X	M10 X 20
4	24M7207	WASHER	4		X	
	19M7867	SCREW	4		X	M8 X 25
	19M7801	SCREW	4		X	M8 X 60. (USE WITH RE233783)
6	M84971	NUT	4		X	
7	RE233783	SPACER	1		X	(A) FI

(A) ACTIVE SEAT ONLY  
 SIEGE REGLABLE SEULEMENT  
 NUR EINSTELLBARER SITZ  
 SOLO SEDILE REGOLABILE  
 SOLO ASIENTO ADJUSTABLE  
 ENDAST INSTAELLBART SAETE

**CONTROL VALVE ASSEMBLY**  
**ENSEMBLE DISTRIBUTEUR**  
**STEUERVENTIL-BAUGRUPPE**  
**GRUPPO VALVOLE DI REGOLAZIONE**  
**CONJUNTO DE LA VALVULA DE CONTROL**  
**REGLERVENTILSATS**

RXA0088520 -UN-

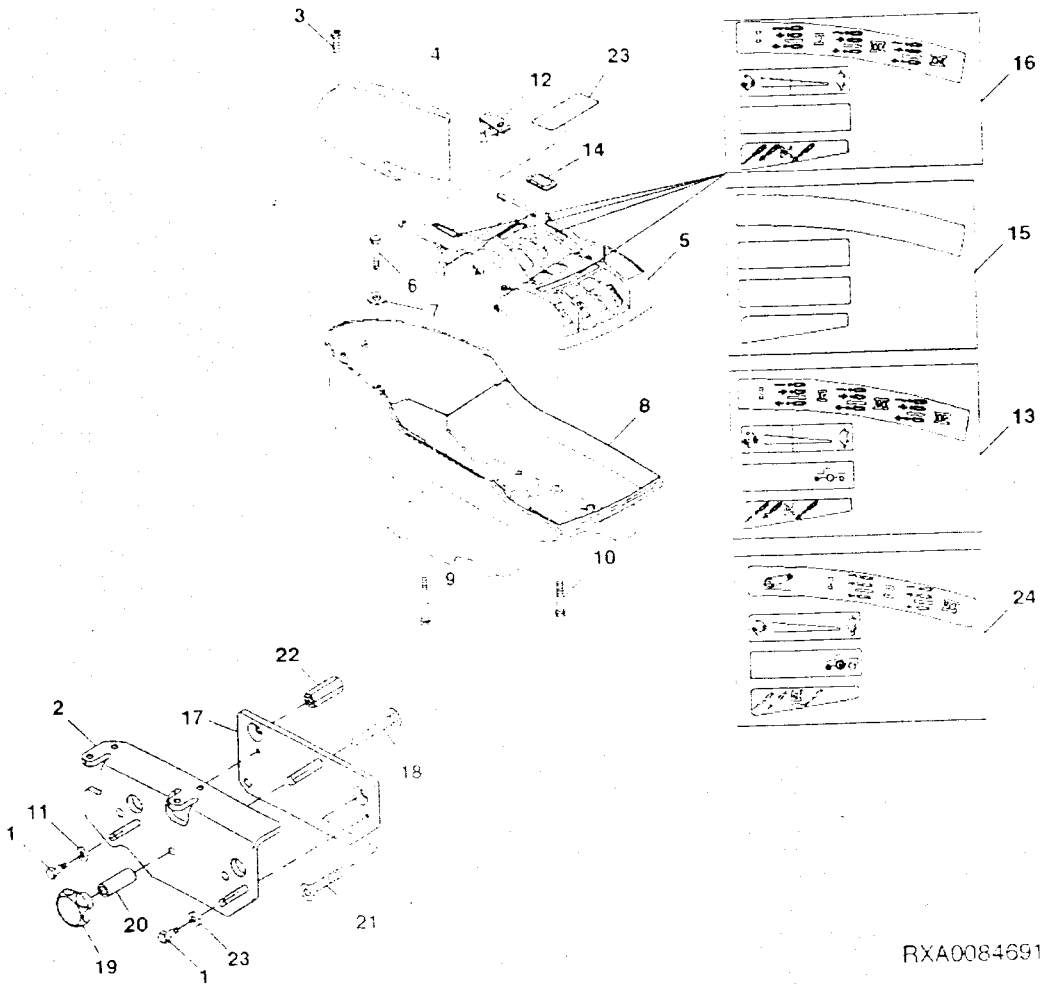


RXA0088520

KEY	PART NO.	PART NAME	QTY.	TRACTOR SERIAL NO.	A I L	REMARKS
1	R26448	O-RING	1		X	
2	RE211710	CONTROL VALVE	1		X	
3	RE180853	BOLT	4		X	
4	RE169621	CONTROL VALVE	1		X	15.300 X 2.200 MM
5	51M7043	O-RING	3		X	
6	38H5003	ADAPTER FITTING	1		X	
7	T77857	O-RING	4		X	
8	AL80389	ELBOW FITTING	1		X	
9	61H1161	ADAPTER FITTING	2		X	
10	R26375	O-RING	2		X	
11	RE219872	PRESSURE RELIEF VALVE	1		X	
12	RE211712	ELEC. PROPORTIONAL VALVE	1		X	
13	AR90369	ELBOW FITTING	1		X	
14	R184863	HOSE CLAMP	6		X	
15	R245391	HYDRAULIC HOSE	1		X	
16	R199195	TEE FITTING	1		X	
17	R234554	HYDRAULIC HOSE	1		X	
18	L102179	HOSE FITTING	2		X	
19	R243536	HYDRAULIC HOSE	1		X	
20	RE244457	HYDRAULIC HOSE	1		X	
21	T77613	O-RING	3		X	
22	38H5037	ADAPTER FITTING	2		X	
23	RE169622	OIL FILTER	1		X	
24	RE172245	CHECK VALVE	1		X	
25	RE192986	HYDRAULIC ACCUMULATOR	1		X	M8 X 40
26	19M7798	SCREW	1		X	
27	R184062	CLAMP	2		X	
28	R184068	CLAMP	2		X	M8
29	14M7298	FLANGE NUT	2		X	
30	38H5142	FITTING	1		X	19.300 X 2.200 MM
31	51M7045	O-RING	1		X	
32	R520435	STUD	1		X	

ARMREST CONTROL HOUSING  
ACCOUDOIR, LOGEMENT DES COMMANDES  
ARMLEHNE-STEUERUNGSGEHAUSE  
ALLOGGIAMENTO DI COMANDO DEL BRACCIOLO  
CAJA DE CONTROLES EN EL APOYABRAZOS  
ARMSTOED, REGLAGEKAAPA

RXA0084691 -UN-21OCT05



RXA0084691

THIS PARTS LISTING IS CONTINUED

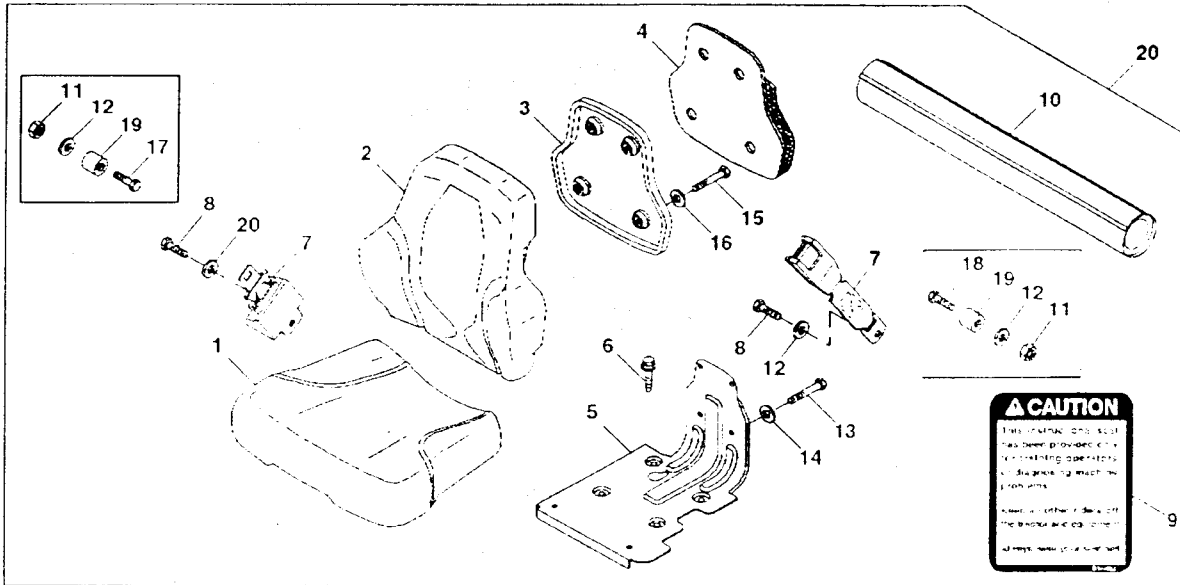
KEY	PART NO.	PART NAME	QTY.	TRACTOR SERIAL NO.	A L L	REMARKS
1	H131424	BOLT	2		X	
2	R214494	FRAME	1		X	
3	R126355	SCREW	1		X	HS 10.9
4	RE151332	CUSHION	1		X	
5	R166245	COVER	1		X	
6	37M7084	SCREW	4		X	M8 X 25, HS 12.9
7	24M7036	WASHER	4		X	9 X 16 X 1.600 MM
8	R177553	HOUSING	1		X	
9	R124859	SCREW	4		X	
10	R117569	SCREW	2		X	
11	24M7055	WASHER	2		X	8.400 X 16 X 1.600 MM
12	R238007	COVER	AR		X	
	R166261	COVER	2		X	CIS
13	RE234778	LABEL KIT	1		X	
14	M115279	PLUG	1		X	
15	RE178960	LABEL KIT	1		X	
16	RE179528	LABEL KIT	1		X	
17	R214584	PLATE	1		X	
18	03M7104	BOLT	1		X	M10 X 70
19	99M7027	KNOB	1		X	
20	28H3377	BUSHING	1		X	0.423" X 0.675" X 1.34"
21	19M8551	SCREW	2		X	M10 X 25
22	R218578	TURNBUCKLE	2		X	
23	R110680	LABEL	1		X	(A)
24	RE185298	LABEL KIT	1		X	

(A) W/O HITCH  
W/O ATTELAGE  
W/O ANHAENGEVORRICHTUNG  
W/O GANCIO  
W/O ENGANCHE  
W/O DRAG

**INSTRUCTIONAL SEAT  
SIEGE D'INSTRUCTEUR  
SCHULUNGSSITZ  
SEDILE DA ADDESTRAMENTO**

**INSTRUKTOERENS SAETE**

RXA0074662 -UN-27APR04



RXA0074662

KEY	PART NO.	PART NAME	QTY	CAB SERIAL NO	A L	REMARKS
1	RE174401	CUSHION	1		X	
2	RE174402	CUSHION	1		X	
3	R246422	COVER	1		X	
4	RE174403	NET WRAP	1		X	
5	R174408	BRACKET	1		X	
6	37M7089	SCREW	4		X	M6 X 12
7	RE244303	SEAT BELT	1		X	
8	R150628	SCREW	2		X	M12 X 25, HS 10.9
9	R174822	LABEL	1		X	
	R174823	LABEL	1		X	(A)
	R174824	LABEL	1		X	(B)
10	R122000	PAD	1		X	
11	14M7275	NUT	2		X	M12
12	24M7427	WASHER	2		X	15 X 24 X 2.500 MM
13	19M7139	CAP SCREW	4		X	M8 X 20
14	24M7055	WASHER	4		X	8.400 X 16 X 1.600 MM
15	21M7291	SCREW	4		X	M8 X 20
16	24M7055	WASHER	4		X	8.400 X 16 X 1.600 MM
17	19M8306	SCREW	1		X	M12 X 50
18	19M8112	SCREW	1		X	M12 X 55
19	N135135	BUSHING	2		X	
20	RE192707	SEAT KIT	1		X	

(A) SPANISH  
ESPAÑOL  
SPANISCH  
SPAGNOLO  
ESPAÑOL  
SPANSK

(B) FRENCH  
FRANCAIS  
FRANZOESISCH  
FRANCESE  
FRANCES  
FRANSKA

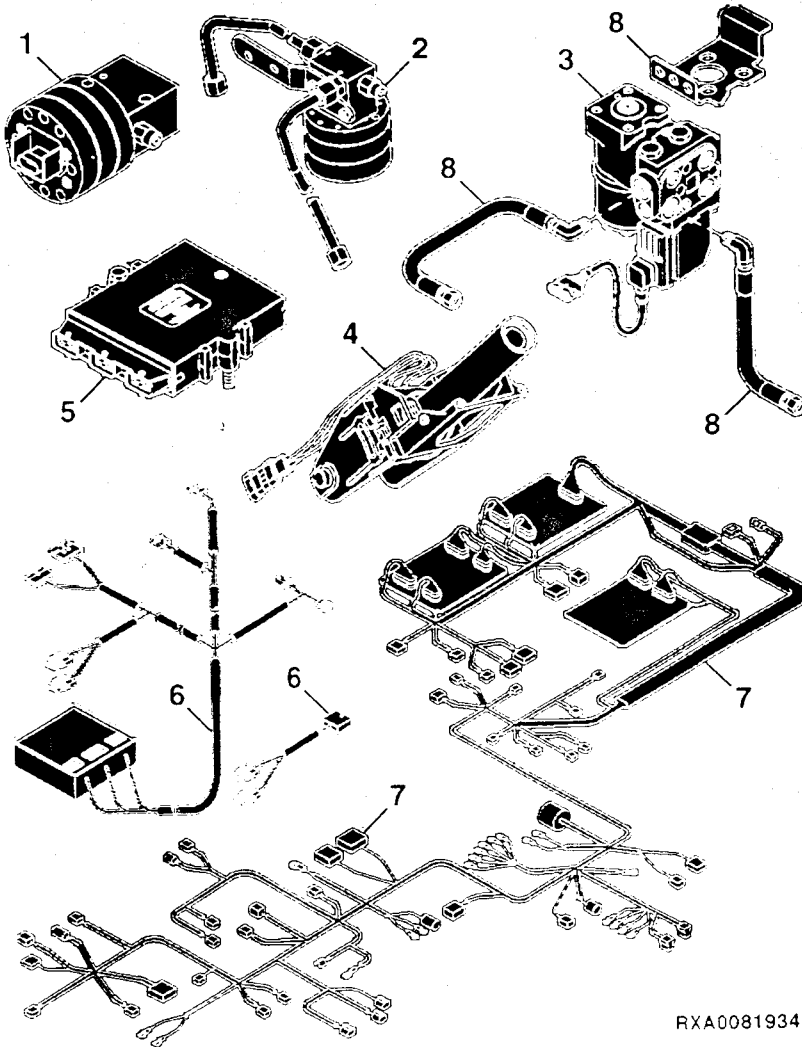
# 93-A01

AUTOTRA

SECTIONAL INDEX  
 INDEX DE SECTION  
 GRUPPENINDEX  
 INDICE DELLA SEZIONE  
 INDICE DE SECCION  
 GRUPPSFORTECKNING

RXA0081934 -UN-

1-	2-
3-	4-
5-	6-
7-	8-

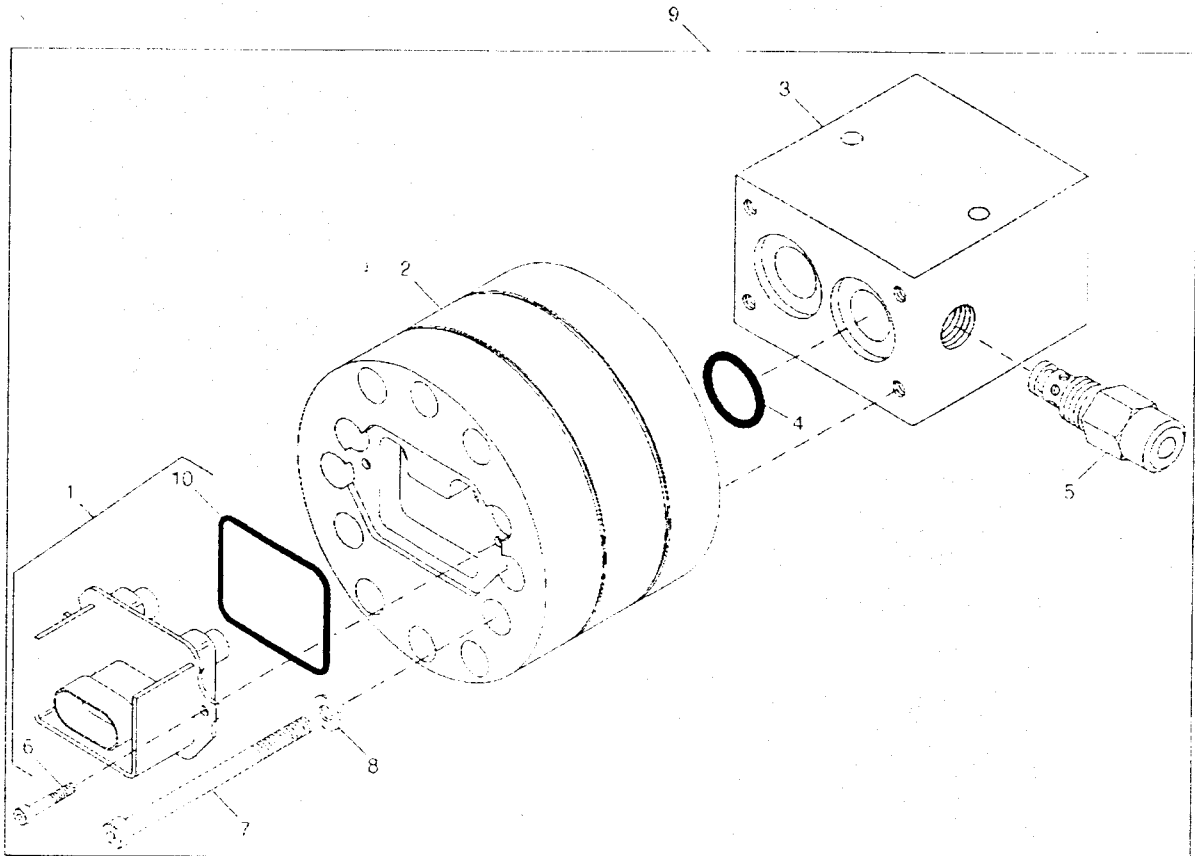


RXA0081934



STEERING FLOWMETER ASSEMBLY  
 L'ASSEMBLEE DE FLOWMETER QUI DIRIGE  
 STEUERND FLOWMETER VERSAMMLUNG  
 IL MONTAGGIO DI FLOWMETER DIRIGENDO  
 LA ASAMBLEA DE FLOWMETER QUE DIRIGE  
 FLOEDESMAETARE FOER STYRNING

RXA0076691 UN-05APR05



RXA 0076691

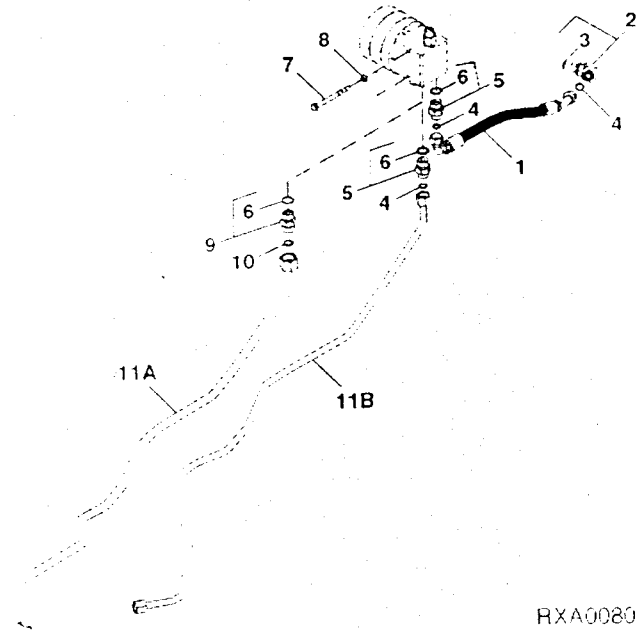
KEY	PART NO.	PART NAME	QTY.	SERIAL NO.	A L L	REMARKS
1	RE209851	SENSOR	1		X	
2	RE209853	SENSOR	1		X (A)	
	R212651	WASHER	4		X	
	R212653	CAP SCREW	4		X	
3	R223384	SOLENOID VALVE	1		X (B)	
	RE210953	SEAL KIT	1		X	
4	R211791	O-RING	2		X	
5	RE211016	PRESSURE RELIEF VALVE	2		X	
6	19M7600	SCREW	2		X	M5 X 12
7	19M8482	SCREW	4		X	M6 X 80
8	24M7347	WASHER	4		X	6.600 X 12 X 1.600 MM
9	RE223380	SENSOR	1		X	
10	R207199	O-RING	1		X	
..	AR248794	FIELD INSTALLATION KIT	1		X (MFWD)	
..	AR248795	FIELD INSTALLATION KIT	1		X (ILS)	

(A) FLOW  
FLUX  
ABLAUF  
SCORRERE  
EL FLUJO  
FLOEDE

(B) BYPASS HOUSING  
SAUTER LE LOGEMENT  
UMGEHUNG ZU UNTERBRINGEN  
BYPASSARE L'ALLOGGIO  
EVITE ALBERGAR  
FOERBIGAANGSHUS

STEERING FLOWMETER SENSOR MOUNTING BRACKET AND UPPER OIL LINES  
 LE FLOWMETER DIRIGEANT DETECTEUR MONTER LE CROCHET ET LE PETROLE SUPERIEUR REVETENT  
 STEUERND FLOWMETER SENSOR AUFSTELLEN BUGEL UND OBERE OLLINIEN  
 DIRIGENDO FLOWMETER SENSORE MONTARE E SUPERIORE RIVESTE  
 EL PARENTESIS DE MONTAR DE SENSOR DE FLOWMETER QUE DIRIGE Y ACEITE SUPERIOR FORRAN  
 FLOEDESMAETARE FOER STYRNING. MONTERINGSFAESTE OCH OEVRE OLJELEDNINGAR FOER GIVARE

RXA0080123 -UN-20JUN05

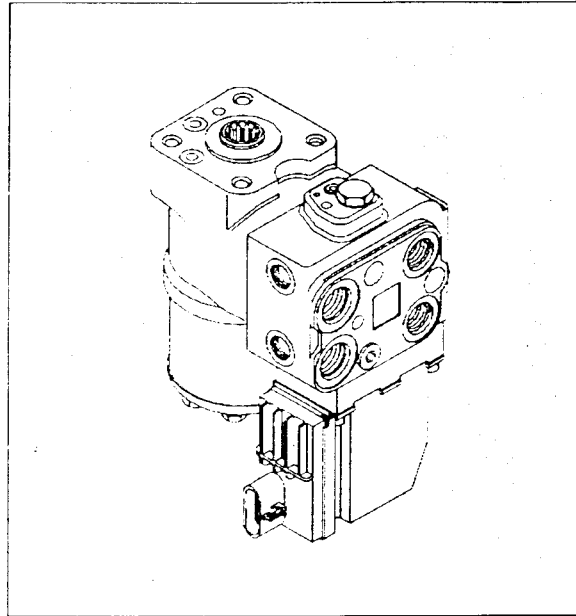


RXA0080123

KEY	PART NO.	PART NAME	QTY.	SERIAL NO.	A L L	REMARKS
1	RE243519	HYDRAULIC HOSE	1		X	
2	38H5017	ELBOW FITTING	1		X	
3	51M7043	O-RING	1		X	
4	T77857	O-RING	3		X	
5	38H5076	ADAPTER FITTING	2		X	
6	51M7045	O-RING	3		X	
7	19M8539	CAP SCREW	2		X	M8 X 90
8	24M7055	WASHER	2		X	8.400 X 16 X 1.600 MM
9	38H5004	ADAPTER FITTING	1		X	
10	T77932	O-RING	1		X	
11A	RE222149	OIL LINE	1		X	(ORDER RE229837 AND RE226678) (ILS)
11B	RE222151	OIL LINE	1		X	(MFWD)
..	AR248794	FIELD INSTALLATION KIT	1		X	(MFWD)
..	AR248795	FIELD INSTALLATION KIT	1		X	(ILS)

ELECTRO HYDRAULIC STEERING CONTROL UNIT (EH VALVE)  
 ELECTRO L'ORGANE DE COMMANDE HYDRAULIQUE QUI DIRIGE (LA SOUPAPE DE EH)  
 ELECTRO HYDRAULISCHE STEUERUNG VON STEUEREREINHEIT (EH VENTIL)  
 ELECTRO IDRAULICO DIRIGENDO (EH)  
 EL ELECTRO LA UNIDAD HIDRAULICA DEL CONTROL QUE DIRIGE (VALVULA DE EH)  
 ELEKTROHYDRAULISK STYRENHET FOER STYRNING (ELEKTROHYDR. VENTIL)

RXA0076693 -UN-05AUG04

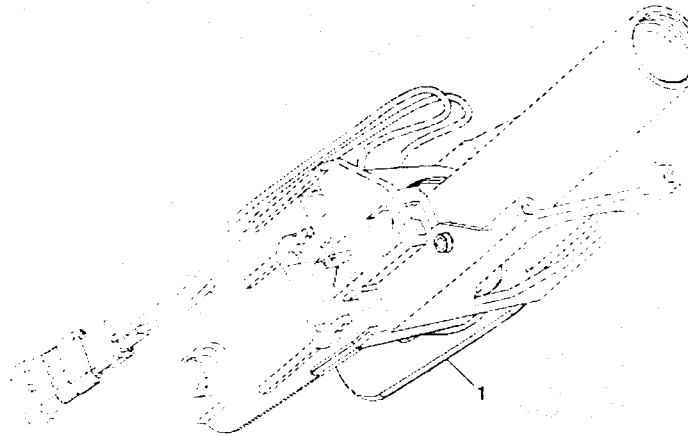


HXA0076693

KEY	PART NO.	PART NAME	QTY	SERIAL NO.	A L L	REMARKS
1	RE220578	ELEC-HYD PROPORTIONAL VALVE	1		X (MFWD)	
	RE220579	ELEC-HYD PROPORTIONAL VALVE	1		X (ILS)	
..	AR248794	FIELD INSTALLATION KIT	1		X (MFWD)	
..	AR248795	FIELD INSTALLATION KIT	1		X (ILS)	

STEERING PIVOT ASSEMBLY  
 L'ASSEMBLEE DE PIVOT QUI DIRIGE  
 STEUERENDE DREHPUNKT VERSAMMLUNG  
 IL MONTAGGIO DI PERNO DIRIGENDO  
 LA ASAMBLEA DE PIVOTE QUE DIRIGE  
 STYRTAPP

RXA0064543 -UN-17JAN03



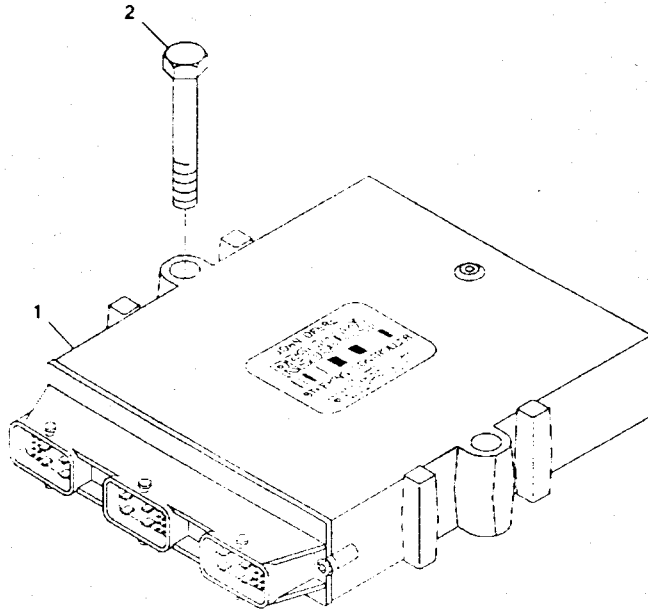
RXA0064543

KEY	PART NO.	PART NAME	QTY.	SERIAL NO.	A L L	REMARKS
1	RE226156	PIVOT	1		X	

DO NOT SERVICE INDIVIDUAL PARTS (COMPLETE ASSEMBLY)  
 NE PAS ENTRETIENIR LES PIECES INDIVIDUELLEMENT (ENSEMBLE COMPLET)  
 EINZELTEILE NICHT WARTEN (GESAMTE BAUGRUPPE)  
 NON EFFETTUARE INTERVENTI DI MANUTENZIONE SUI SINGOLI COMPONENTI (GRUPPO UNICO)  
 NO DARLE MANTENIMIENTO A PIEZAS INDIVIDUALES (CONJUNTO COMPLETO)  
 UTFOER INTE SERVICE PAA ENSKILDA DELAR (HEL ENHET)

FLEX BOX  
 FLECHIR LA BOITE  
 FLEX KASTEN  
 LA SCATOLA DI FLEX  
 DOBLE CAJA  
 AUTOTRAC STYRENHET FOER STYRNING (FLEX BOX)

RXA0076692 -UN-10MAR05

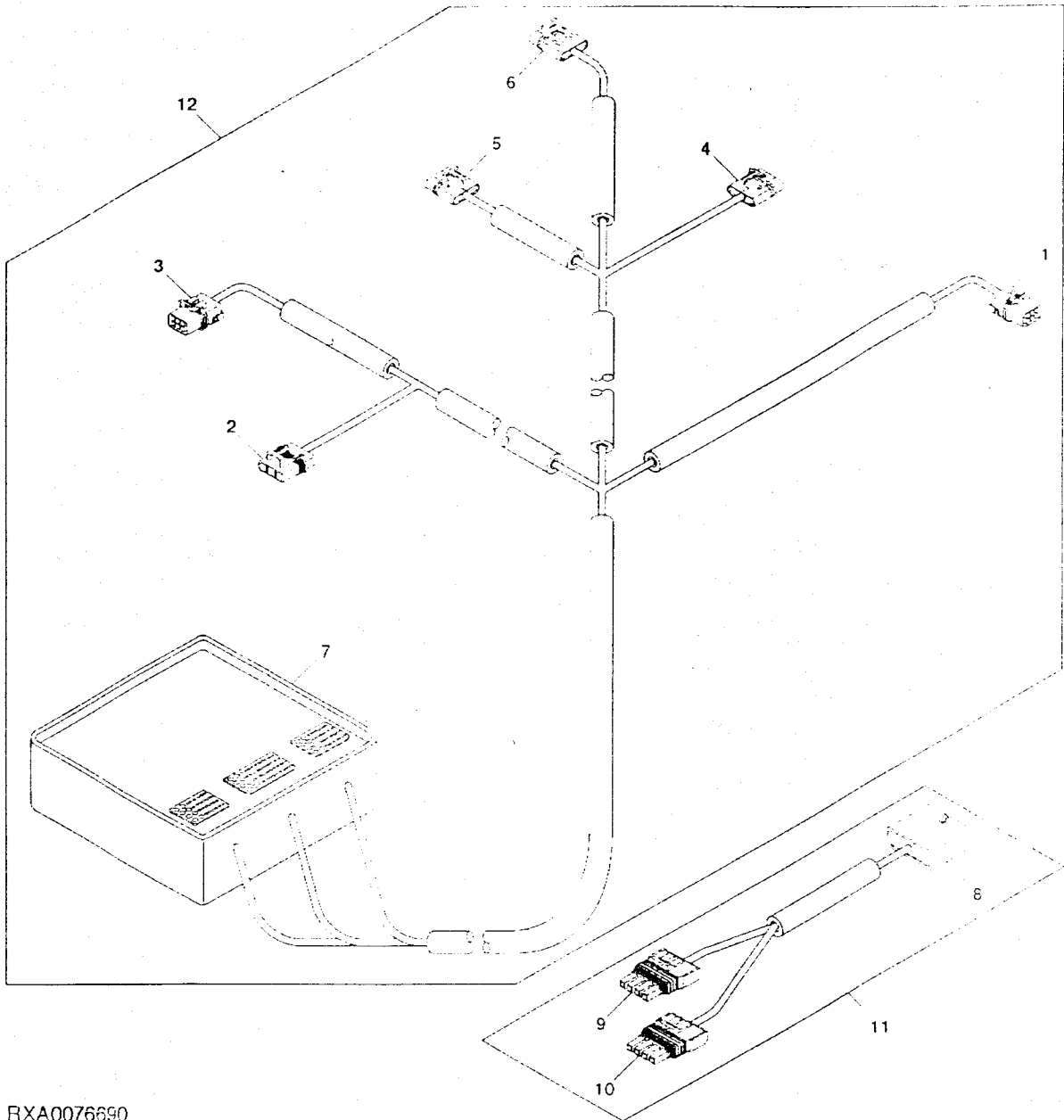


RXA0076692

KEY	PART NO.	PART NAME	QTY.	SERIAL NO.	A L L	REMARKS
1	RE240027	STEERING CONTROLLER	1		X	
2	R219318	SCREW	2		X	
..	AR248794	FIELD INSTALLATION KIT	1		X (MFWD)	
..	AR248795	FIELD INSTALLATION KIT	1		X (ILS)	

WIRING HARNESS, AUTOTRAC  
FAISCEAU DE CABLES, AUTOTRAC  
KABELBAUM, AUTOTRAC  
CABLAGGIO, AUTOTRAC  
GRUPO DE CABLES, AUTOTRAC  
KABELHAERVA, AUTOTRAC

RXA0076690 -UN-04AUG04



RXA0076690

THIS PARTS LISTING IS CONTINUED

KEY	PART NO.	PART NAME	QTY.	SERIAL NO.	A L L	REMARKS
1	57M7260	ELEC. CONNECTOR HOUSING	1		X (A)	
2	57M7257	ELEC. CONNECTOR HOUSING	1		X (B)	
3	57M7263	ELEC. CONNECTOR HOUSING	1		X (C)	
4	57M7262	ELEC. CONNECTOR HOUSING	1		X (I)	
5	.....	ELEC. CONNECTOR HOUSING	1		X (D)	
6	.....	ELEC. CONNECTOR HOUSING	1		X (H)	
7	.....	CONNECTOR	1		X (E)	
8	.....	CONNECTOR	1		X (B)	
9	.....	CONNECTOR	1		X (F)	
10	.....	CONNECTOR	1		X (G)	
11	RE199697	CAB WIRING HARNESS	1		X	
12	RE211499	CHASSIS WIRING HARNESS	1	-XXXXXX	X (SUB RE250962)	
	RE246040	CHASSIS WIRING HARNESS	1	XXXXXX-	X	
	RE243040	CHASSIS WIRING HARNESS	1		X (J) (IVT-ILS)(50K)	
	AR248794	FIELD INSTALLATION KIT	1		X (MFWD)	
	AR248795	FIELD INSTALLATION KIT	1		X (ILS)	

(A) CAN TERMINATOR  
TERMINAISON CAN  
CAN-ABSCHLUSS  
TERMINATORE CAN  
CONECTOR DE TERMINACION DE CAN  
CAN-NAETTERMINATOR

(C) CAN BACKBONE  
INFRASTRUCTURE CAN  
CAN-BACKBONE  
SUPPORTO CAN  
RED CAN  
CAN-BACKBONE

(E) VEHICLE CONTROLLER  
CONTROLEUR DE VEHICULE  
FAHRZEUG STEUERGERAT  
IL CONTOLLORE DI VEICOLO  
EL DIRECTOR DEL VEHICULO  
FORDONSSTYRENHET

(G) STEERING INPUT DEVICE '2'  
ORGANE D'ENTREE QUI DIRIGE '2'  
STEUERUNG VON EINGABEVORRICHTUNG '2'  
IL CONGEGNO DI ENTRATA DIRIGENDO '2'  
EL ARTEFACTO DE LA ENTRADA QUE DIRIGE '2'  
INGAANGSANORDNING FOER STYRNING '2'

(I) STEERING COLUMN  
COLONNE DE DIRECTION  
LENKSAEULE  
PIANTONE DELLO STERZO  
COLUMNNA DE LA DIRECCION  
RATTSTAANG

(B) CHASSIS HARNESS  
FAISCEAU DE FILS DE CHASSIS  
CHASSIS-KABELBAUM  
CAVO DEL TELAIO  
ARNES DEL CHASIS  
CHASSIKABELHAERVA

(D) STEERING VALVE  
DISTRIBUTEUR DE DIRECTION  
LENKSTEUERVENTIL  
VALVOLA DELLO STERZO  
VALVULA DE DIRECCION  
STYRNINGSVENTIL

(F) STEERING INPUT DEVICE '1'  
ORGANE D'ENTREE QUI DIRIGE '1'  
STEUERUNG VON EINGABEVORRICHTUNG '1'  
IL CONGEGNO DI ENTRATA DIRIGENDO '1'  
EL ARTEFACTO DE LA ENTRADA QUE DIRIGE '1'  
INGAANGSANORDNING FOER STYRNING '1'

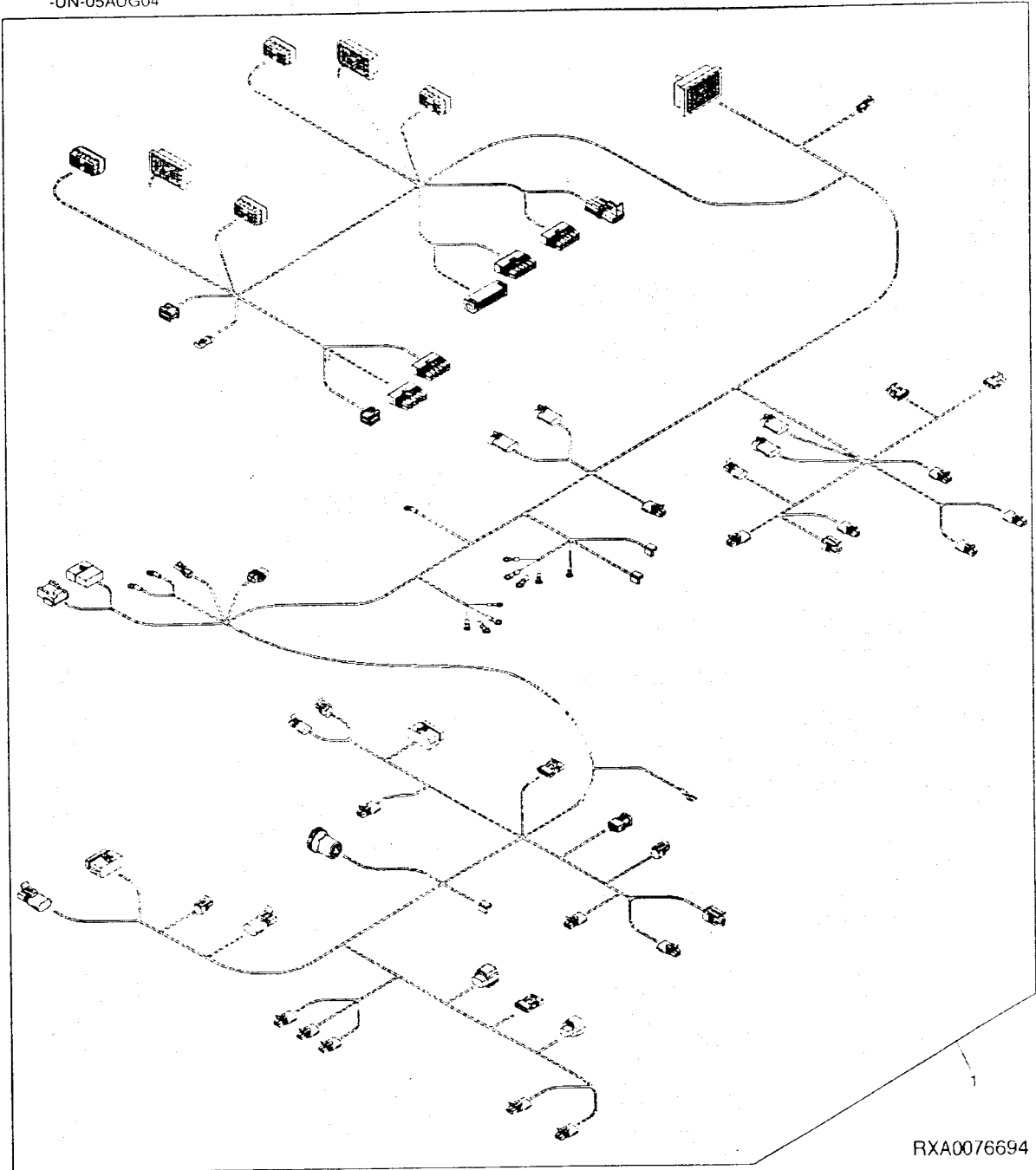
(H) FLOWMETER  
FLOWMETER  
FLOWMETER  
FLOWMETER  
FLOWMETER  
FLOWMETER

(J) EUROPEAN VERSION  
VERSION EUROPEENNE  
EUROPAEISCHE AUSFUEHRUNG  
VERSIONE EUROPEA  
VERSION EUROPEA  
EUROPEISK VERSION



WIRING HARNESS, CHASSIS  
FAISCEAU DE FILS, CHASSIS  
KABELBAUM, CHASSIS  
CAVO. TELAIO  
ARNES DE ALAMBRADO, CHASSIS  
KABELHAERVA, CHASSIS

RXA0076694 -UN-05AUG04



THIS PARTS LISTING IS CONTINUED

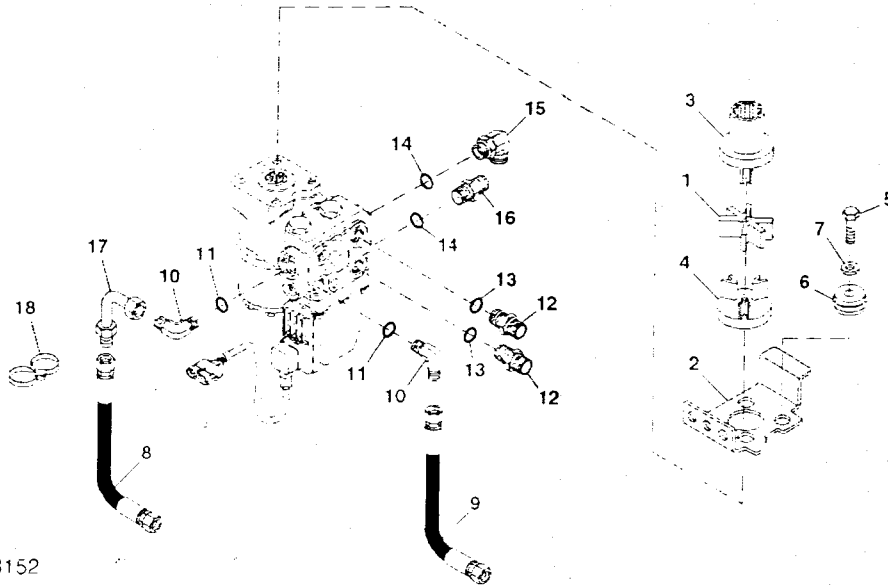
KEY	PART NO.	PART NAME	QTY.	SERIAL NO.	A L L	REMARKS
1	RE211491	CHASSIS WIRING HARNESS	1		X	(SUB RE250959) ILS
	RE211490	CHASSIS WIRING HARNESS	1		X	(SUB RE250958) MFWD

# 93-12

AUTOTRAC

VALVE FITTINGS, SPLINED COUPLERS AND MOUNTING BRACKET  
 FITTINGS DE SOUPAPE. LES ATTELAGES DE SPLINED ET LE CROCHET QUI MONTE  
 VENTIL EINBAUTEN. SPLINED KUPPLUNGEN UND BEFESTIGUNGSBÜGEL  
 LE BROVE DI VALVOLA. GLI ATTACCHI DI SPLINED E QUEL LA MONTANDO PARENTESE  
 FITTINGS DE VALVULA. ACOPLADORES DE SPLINED Y PARENTESIS QUE MONTAN  
 VENTILFOERSKRUVNINGAR. KILADE KOPPLINGAR OCH MONTERINGSFAESTE

RXA0088152 -UN-30MAR06



KEY	PART NO.	PART NAME	QTY.	SERIAL NO.	A L L	REMARKS
1	R126636	ISOLATOR	1		X	
2	R220197	BRACKET	1		X	
3	R126640	SPLINED COUPLING	1		X	
4	R126641	SPLINED COUPLING	1		X	
5	19M7168	CAP SCREW	4		X	M10 X 30
6	AT116162	ISOLATOR	4		X	
7	24M7178	WASHER	4		X	10.500 X 30 X 2.500 MM
8	RE215889	HYDRAULIC HOSE	1		X	(B)
9	RE215898	HYDRAULIC HOSE	1		X	(A)
10	38H5010	ADAPTER FITTING	2		X	
11	T77932	O-RING	2		X	
12	38H5003	ADAPTER FITTING	2		X	
13	T77857	O-RING	2		X	
14	51M7040	O-RING	2		X	9.300 X 2.200 MM
15	RE172887	ADAPTER FITTING	1		X	
16	38H5015	ELBOW FITTING	1	-XXXXXX	X	
	RE259251	FITTING	1	XXXXXX-	X	
17	RE210046	OIL LINE	1		X	
18	R213663	CLAMP	1		X	
...	AR248794	FIELD INSTALLATION KIT	1		X	(MFWD)
...	AR248795	FIELD INSTALLATION KIT	1		X	(ILS)

(A) INLET  
 ENTREE  
 EINLASS  
 ENTRADA  
 ENTRADA  
 INLOPP

(B) RETURN  
 RETOUR  
 RUECKLAUF  
 RITORNO  
 RETORNO  
 RETORNO

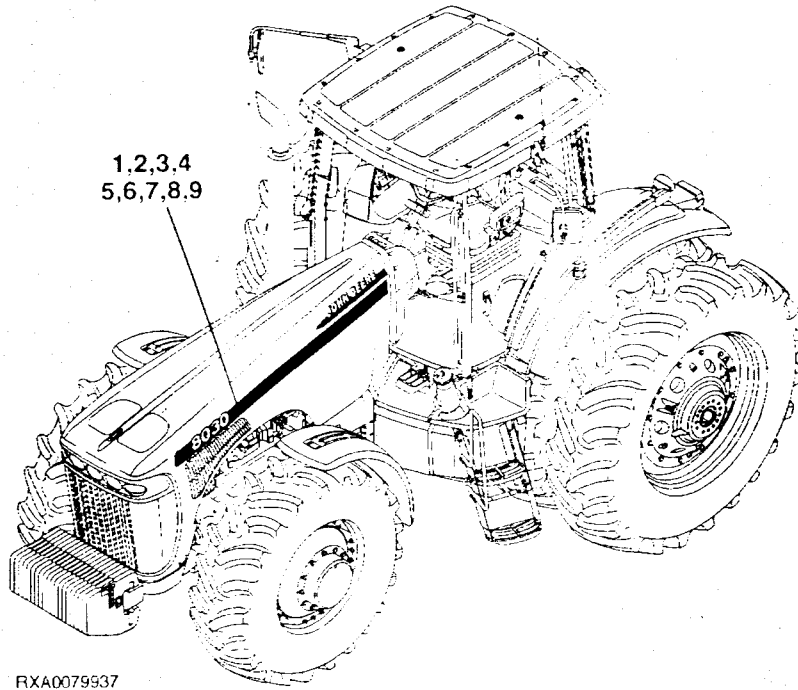
# 94-A01

DECA

SECTIONAL INDEX  
INDEX DE SECTION  
GRUPPENINDEX  
INDICE DELLA SEZIONE  
INDICE DE SECCION  
GRUPPSFORTECKNING

RXA0079937 -UN-

1	2
3	4
5	6
7	8
9	10



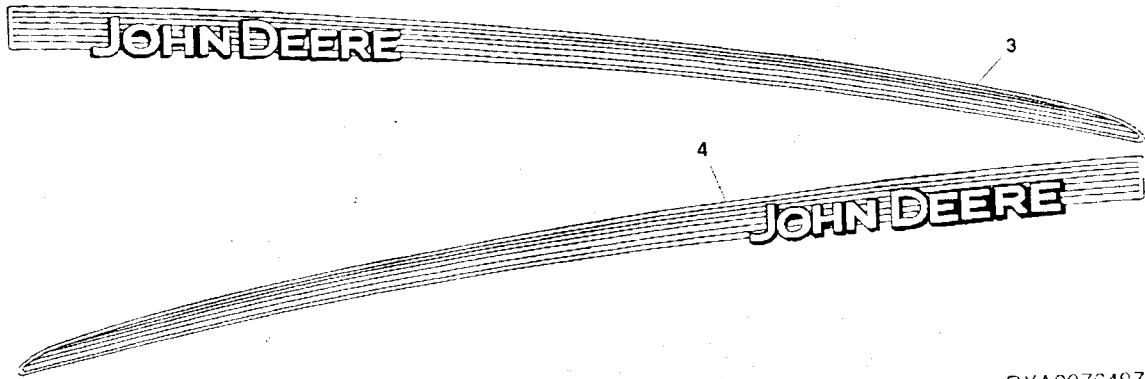
DECALS  
 DECALCOMANIES  
 AUFLEBER  
 CALCOMANIE  
 CALCOMANIAS  
 DEKALER

RXA0076487

UN-230004

**8130**

**8230**



RXA0076487

KEY	PART NO.	PART NAME	QTY.	TRACTOR SERIAL NO.	REMARKS
				8 8	
				1 2	
				3 3	
				0 0	
1	R226954	LABEL	1		X R.H.
	R211212	LABEL	1		X L.H.
2	R226953	LABEL	1		X R.H.
	R211213	LABEL	1		X L.H.
3	R211211	LABEL	1		XX R.H.
4	R211210	LABEL	1		XX L.H.

DECALS  
 DECALCOMANIES  
 AUFKLEBER  
 CALCOMANIE

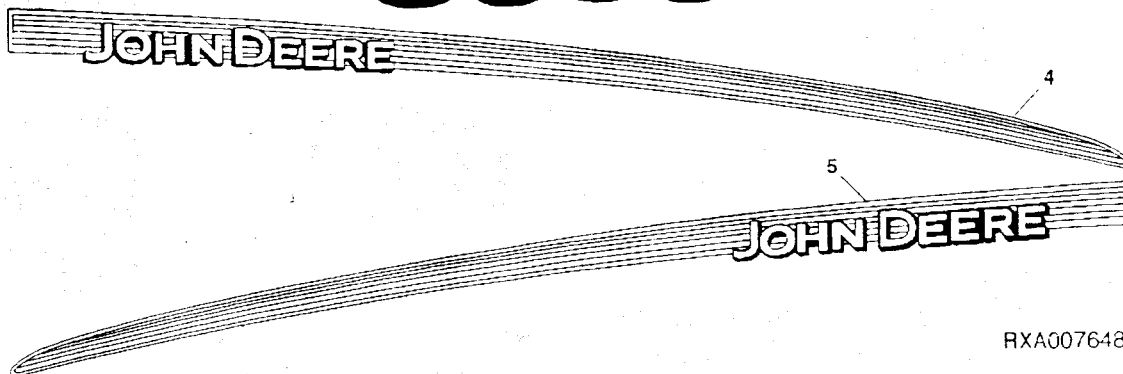
DEALER  
 RXA0076489

PN-23JUL04

**8330** <sup>1</sup>

**8430** <sup>2</sup>

**8530** <sup>3</sup>



RXA0076489

KEY	PART NO.	PART NAME	QTY.	TRACTOR SERIAL NO.	REMARKS
				8 8 8	
				3 4 5	
				3 3 3	
				0 0 0	
1	R226952	LABEL	1	X	R.H.
	R211214	LABEL	1	X	L.H.
2	R226949	LABEL	1	X	R.H.
	R211215	LABEL	1	X	L.H.
3	R226947	LABEL	1	X	R.H.
	R211216	LABEL	1	X	L.H.
4	R211211	LABEL	1	X X X	R.H.
5	R211210	LABEL	1	X X X	L.H.

DECALS  
 DECALCOMANIES  
 AUFKLEBER  
 CALCOMANIE  
 CALCOMANIAS  
 OEVERFOERINGSBILD

RXA0081593 -UN-20JUN05

1

3

**WARNING**

Do not drive faster than 32km/h (20MPH)

4

**WARNING**

LI AVON - PERBY RULLIT

1. K20 1000 1000 1000 1000 1000

2. 1000 1000 1000 1000 1000

3. 1000 1000 1000 1000 1000

4. 1000 1000 1000 1000 1000

7

**WARNING**

**AVOID CRUSHING**  
Do not jump if machine tips.

**USE SEAT BELT**

Pull belt fully from retractors and adjust for best protection.

To maintain ultimate operator protection and manufacturer's ROPS certification:

- Damaged ROPS structures must be replaced, not repaired or reused.
- Any alteration to the ROPS must be approved by the manufacturer.

5

8

**CAUTION**

This instructional seat has been provided only for training operators or diagnosing machine problems.

Keep all other riders off the tractor and equipment.

Always wear your seat belt.

7

**CAUTION**

1. Read Operator's Manual before operating this tractor.
2. Keep all 8th ends in place.
3. Hitch loaded loads only to drawbar to avoid towing a load.
4. Make certain everyone is clear of machine before starting engine or operation.
5. Keep all riders off tractor and equipment.
6. Keep hands, feet and clothing away from powertrain parts.
7. Reduce speed when turning or stopping and avoid sudden starts or operating around obstacles on wet, icy, muddy or steep slopes.
8. Combine brake pedals together for road travel.
9. Use fastening warning lights on highway unless prohibited by law.
10. Stop engine, lower implement to ground and shift to "PARK" or set handbrake securely before dismounting.
11. Wait for all movement to stop before servicing machinery.
12. Remove key if leaving tractor unattended.

2

K1 AC				K2 AC				K3 MP				K4 ACC			
[Diagram]				[Diagram]				[Diagram]				[Diagram]			

A

B

A

B

A

B

A

B

1	A	C	E	G	J	1	A	C	E	G	J
2	B	D	F	H		2	B	D	F	H	
3						3					
4						4					

K5 ACC

[Diagram]

K6 MP

[Diagram]

RXA0081593

THIS PARTS LISTING IS CONTINUED

94-4

8130, 8230, 8330, 8430, 8530 TRACTORS PC9451 (08-AUG-05) PNE00

KEY	PART NO.	PART NAME	QTY	TRACTOR SERIAL NO	A L L	REMARKS
1	CC40740	LABEL	1		X	
2	R211483	LABEL	1		X (A)	
	R211484	LABEL	1		X (B)	
3	L79601	SAFETY SIGN	1		X	
4	R132720	LABEL	1		X	
5	R135480	LABEL	1		X	
6	R135481	LABEL	1		X	
7	R135987	LABEL	1		X	
8	R174822	LABEL	1		X	

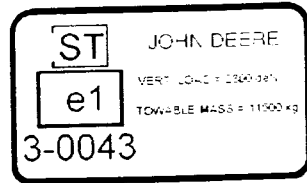
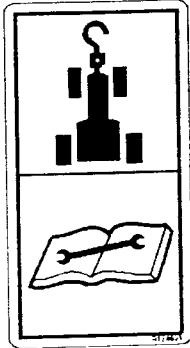
(A) NORTH AMERICAN VERSION  
 VERSION NORD AMERICAINE  
 NORDAMERIKANISCHE AUSFUEHRUNG  
 VERSIONE NORDAMERICANA  
 VERSION NORTEAMERICANA  
 NORDAMERIKANSK VERSION

(B) EUROPEAN VERSION  
 VERSION EUROPEENNE  
 EUROPAEISCHE AUSFUEHRUNG  
 VERSIONE EUROPEA  
 VERSION EUROPEA  
 EUROPEISK VERSION



DECALS  
 DECALCOMANIES  
 AUFLEBER  
 CALCOMANIE  
 CALCOMANIAS  
 DEKALER

RXA0088512 -UN-

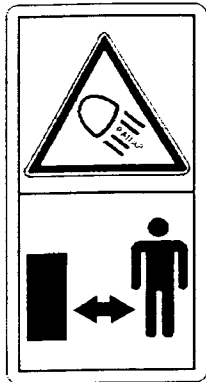


RXA0088512

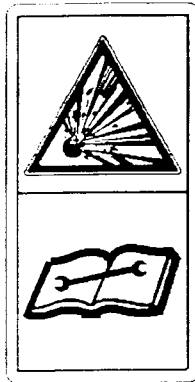
KEY	PART NO.	PART NAME	QTY	TRACTOR SERIAL NO.	A L L	REMARKS
1	R124693	LABEL	1		X	
2	L63262	LABEL	1		X	
3	R119439	LABEL	1		X	
4	L115605	LABEL	1		X	

DECALS  
 DECALCOMANIES  
 AUFKLEBER  
 CALCOMANIE  
 CALCOMANIAS  
 OEVERFOERINGSBILD

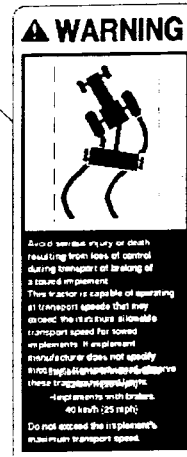
RXA0077069 UN-20JUN05



3



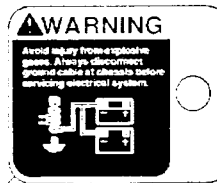
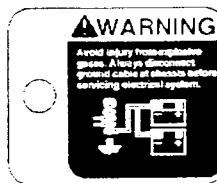
5



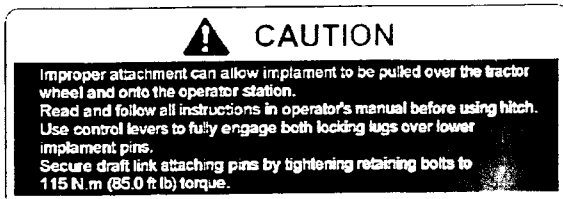
2



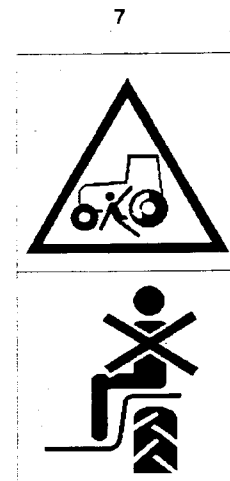
1



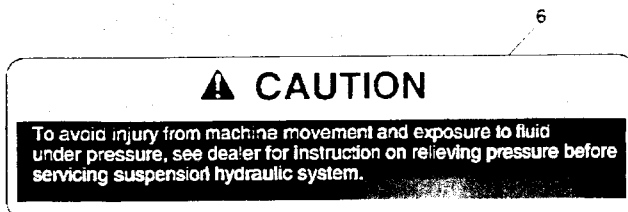
8



4



7



6

RXA0077069

THIS PARTS LISTING IS CONTINUED

KEY	PART NO.	PART NAME	QTY.	TRACTOR SERIAL NO.	A L L	REMARKS
1	H138955	LABEL	1		X	
2	R195575	LABEL	1		X	
3	L65000	LABEL	1		X	
4	R122428	LABEL	1		X	
5	L65043	LABEL	1		X	
6	R210276	LABEL	1		X	
7	L64996	LABEL	1		X	
8	R125472	TAG	1		X	

DECALS (SPANISH)  
 DECALCOMANIES (ESPAGNOL)  
 ABSCHIEBEBILD (SPANISCH)  
 DECALCOMANIA (SPAGNOLO)  
 CALCOMANIAS (ESPANOL)  
 OEVERFOERINGSBILD (SPANSK)

RXA0077065

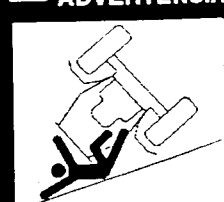
-UN-15JUL05

**IMPORTANTE**

1. Después de arrancar el motor opereto a 1200 rpm aproximadamente (sin carga) por uno o dos minutos. Si la temperatura ambiente sea debajo del punto de congelacion opere el motor dos a cuatro minutos sin carga.
2. Si el motor buera a pastarse bajo carga vuelva a arrancar inmediatamente para evitar acumulacion excesiva de calor.
3. Antes de parar un motor caliente opereto en vacio bajo por uno a dos minutos para emitir el calor y el turboalimentador.
4. Si el tractor no haya sido operado durante una periodo prolongado vea el Manual del Operador para instrucciones de arranque.

1. Se puede prolongar la vida del tren de mando y de neumaticos evitando cargas de too alto a velocidades de machapero debajo de 60km/h.
2. Se prolongara la vida de los neumaticos deteniendo desconectando la propulsion mecanica por ruedas delanteras durante el transporte y al operar en superficies duras.

**WARNING ADVERTENCIA**



**AVOID CRUSHING: Do not jump if machine tips. EVITE SER APLASTADO: No salté si se vuelca la maquina.**

USE SEAT BELT  
 USE EL CINTURON DE SEGURIDAD

\*Pull belt fully from retractors and adjust for best protection.  
 \*Tire completamente el cinturón y ajústelo para su mejor protección.

**ATENCION**

Para evitar las lesiones causadas por el movimiento de la maquina y por la exposicion a fluidos bajo presion, consulte el conector de las instrucciones de alivio de la presion antes de intervenir en el sistema hidraulico de la asacion.

**PRECAUCION**

La conexion incorrecta puede permitir que el implemento se tire sobre la rueda del tractor y sobre el compartimento de operador. Lea y siga todas las instrucciones en el manual del operador antes de utilizar el engrane. Utilice las palancas de control para engranar completamente las orejas de traba sobre los pasadores inferiores del implemento. Sujete los pasadores conectadores del crazo de tiro apretando los pernos de retencion, a una torsion de 115 Nm (85 lb-pi).

**PRECAUCION**

Para mantener sin impedimento la proteccion del operador y la certificacion de fabricante de la estructura contravolcaduras ROPS: - Las estructuras ROPS que se danen deben estar reemplazadas, no reparadas o modificadas. - Cualquier alteracion de la estructura ROPS debe aprobarse por el fabricante.

**ATENCION**

No mirar directamente al sensor para evitar posibles lesiones en los ojos causadas por microondas emitidas por este sensor radar.

**ADVERTENCIA**

La garantia John Deere sobre esta maquina estara terminada si la entrega de combustible por la bomba de inyeccion se ajusta en exceso de la especificacion.

**PELIGRO**

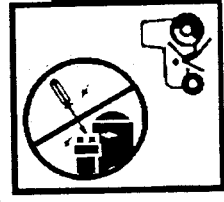


Arrancar solamente desde el asiento con transmision en neutral o estacionamiento.  
 Peligro de muerte si se arranca engranado.

T146106 S

**PELIGRO**

Arrancar solamente desde el asiento con transmision en neutral o estacionamiento.  
 Peligro de muerte si se arranca engranado.



T146106 S

**ADVERTENCIA**

Evitar el riesgo de ser lesionado por la explosion de gases. Desconectar siempre el cable de masa de chasis antes de efectuar trabajos en el sistema electrico.



**PRECAUCION**

PARA EVITAR LESIONES: Mantengase en la zona de seguridad de la T.O.F. y todos los cables de arranque en tierra. Tener listo el punto de la barra de arranque de la T.O.F. cuando se use. Para operar con el generador accionado por la T.O.F. levante la barra de tiro en la parte superior de la maquina y sujete la barra de tiro segun se indica en el manual.

Velocidad de la T.O.F.:  
 100 rpm - 9 cables  
 100 rpm - 21 cables  
 100 rpm - 26 cables

El arranque de la T.O.F. puede ser usado para el punto de engrane.

**PRECAUCION**

1. Antes de operar este tractor, vea el Manual del Operador para instrucciones completas de operaciones e informacion sobre la seguridad.
2. Conserve todo control en su lugar.
3. Enganche cargas de remolque en la barra de tiro solamente, para evitar velocidades hacia atras.
4. Compruebe que toda persona este alejada de la maquina antes de arrancar el motor o operar.
5. No permita viajeros en el tractor o equipo.
6. Conserve las manos, los pies y la ropa fuera de piezas móviles.
7. Evite la velocidad al dar vueltas o al operar frenos, individuales o al operar coque de palancas, en terreno escabroso o en pendientes.
8. Acepte los pedales de freno para conducir en carretera.
9. Utilice luces de estallidos en la carretera e incluso que se prohiba por la ley.
10. Para el motor, baje el implemento al suelo y cambie a ESTACIONAR antes de bajarse. Espere que se este todo movimiento antes de atender a la maquina.
11. Saque la llave si el tractor se vaya a dejar solo.

RXA0077068

THIS PARTS LISTING IS CONTINUED

KEY	PART NO.	PART NAME	QTY.	TRACTOR SERIAL NO.	A L L	REMARKS
1	R100410	LABEL	1		X	
2	R120104	LABEL	1		X	
3	R120123	LABEL	1		X	
4	R120126	LABEL	1		X	
5	R81374	LABEL	1		X	
6	R120108	LABEL	1		X	
7	T146106	SAFETY SIGN	1		X	
8	R125474	TAG	1		X	
9	R120113	LABEL	1		X	
10	R120130	LABEL	1		X	
11	R210277	LABEL	1		X	

DECALS (FRENCH)  
 DECALCOMANIES (FRANCAIS)  
 ABSCHIEBEBILDS (FRANZOESISCH)  
 DECALCOMANIAS (FRANCESE)  
 CALCOMANIAS (FRANCES)  
 OEVERFOERINGSBILD (FRANSKA)

RXA0082282

-UN-14JUL05

**IMPORTANT**

- Après avoir réglé le réservoir en marche le faire tourner à environ 1200 tr/min (à vide) pendant une à deux minutes. Si la température est inférieure au point de gel faire fonctionner le réservoir pendant dix à quinze minutes (à vide).
- Au cas où le moteur voudrait à cold en charge, faire un ralenti pendant quelques secondes pour éviter toute sur-chauffe excessive de température.
- Avant d'arrêter un moteur chaud le laisser tourner au ralenti pendant une à deux minutes pour refroidir le moteur et le turbo-compresseur.
- Si le tracteur n'a pas été utilisé pendant longtemps consulter le manuel d'entretien pour les instructions avant la mise en marche.

- La durée du bain de transmission et des pneus peut être prolongée en évitant les efforts de traction élevés à des vitesses inférieures à 3 to 4 km/h (4 0 mph).
- La durée des pneus avant peut être prolongée en déchargeant le pont avant à l'équilibre par un tirage ou sur ressort sur.

**AVERTISSEMENT**



**EVITER L'ECRASEMENT:**  
 \* Ne pas sauter si la machine se retourne.

**UTILISER LA CEINTURE DE SECURITE**



Tirer à fond sur la ceinture et la régler pour la meilleure protection.

**ATTENTION**

Pour éviter les risques de blessures causées par le mouvement de la machine et l'exposition au liquide sous pression, consulter le concessionnaire pour savoir comment relâcher la pression avant de procéder à l'entretien du circuit hydraulique de la suspension.

**AVIS**

Toute modification apportée à la pompe d'injection pour augmenter le débit de carburant au-delà des cotés d'origine annulera la garantie John Deere applicable à cette machine.

**MISE EN GARDE**

Nes pas regarder le capteur radar en face afin d'éviter de protéger les yeux contre des dommages pouvant être causés par l'émission de ses signaux microondes.

**ATTENTION**

Une mauvaise méthode d'attelage peut permettre à l'instrument de monter sur le roue du tracteur et d'atteindre le poste de conduite.  
 Lire et respecter toutes les directives d'attelage données dans le livret d'entretien.  
 Engager complètement les deux crochets de l'attelage sur les axes de l'instrument, avec les leviers de commande hydraulique.  
 Fixer fermement les axes des barres de traction en serrant les boulons au couple de 115 N.m. (85.0 lbf-ft)

**DANGER**



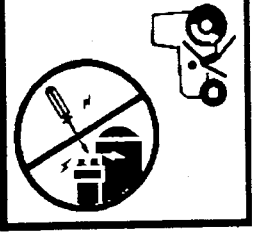
**Demarrage du moteur uniquement du siège. Levier de vitesses au point mort ou en position "parking"!**

**Danger de mort en cas de démarrage en prise.**

**DANGER**

**Demarrage du moteur uniquement du siège. Levier de vitesses au point mort ou en position "parking"!**

**Danger de mort en cas de démarrage en prise.**



RXA0082282

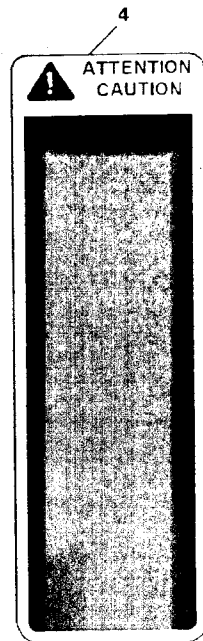
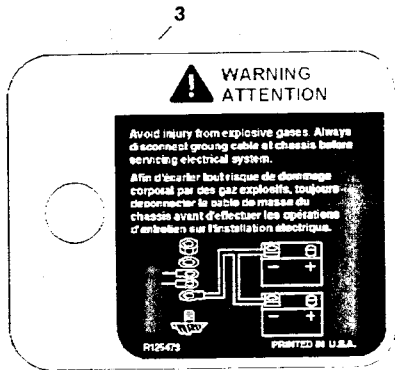
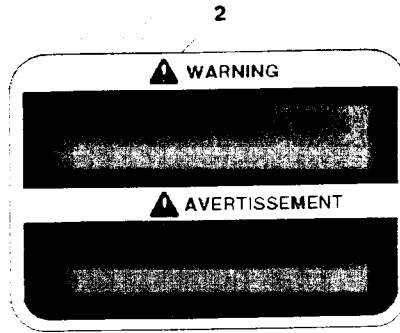
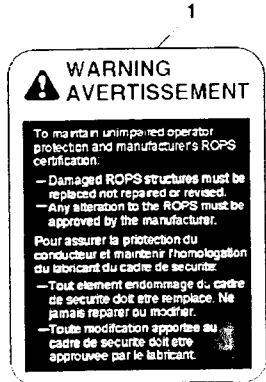
# 94-13

DEC-1

KEY	PART NO.	PART NAME	QTY.	TRACTOR SERIAL NO.	A L L	REMARKS
1	R100412	LABEL	1		X	
2	R120122	LABEL	1		X	
3	R81372	LABEL	1		X	
4	R120106	LABEL	1		X	
5	R120105	LABEL	1		X	
6	T146104	SAFETY SIGN	1		X	
7	R210278	LABEL	1		X	

DECALS  
 DECALCOMANIES  
 ABSCHIEBEBILDS  
 DECALCOMANIAS  
 CALCOMANIAS  
 OEVERFOERINGSBILD

RXA0058779 -UN-28NOV01



RXA0058779

THIS PARTS LISTING IS CONTINUED



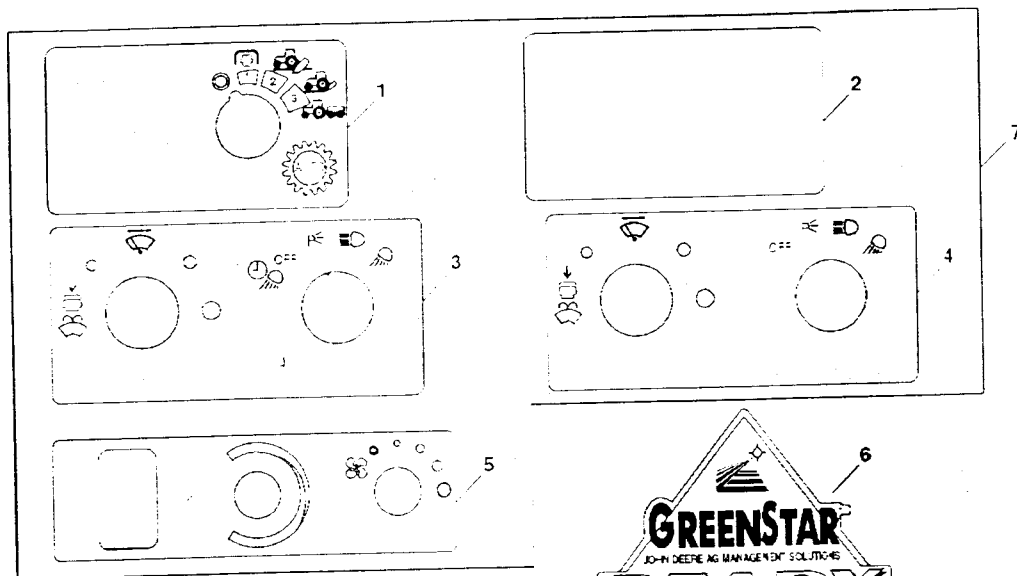
# 94-15

DECAL

KEY	PART NO	PART NAME	QTY	TRACTOR SERIAL NO	A L L	REMARKS
1	R120125	LABEL	1		X	
2	R120112	LABEL	1		X	
3	R125473	TAG	1		X	
4	R120129	LABEL	1		X	

DECALS  
 DECALCOMANIES  
 AUFKLEBER  
 CALCOMANIE  
 CALCOMANIAS  
 OEVERFOERINGSBILD

RXA0086279 -UN-01FEB06



RXA0086279

KEY	PART NO.	PART NAME	QTY.	TRACTOR SERIAL NO.	A L L	REMARKS
1	R189139	LABEL	1	-001744	X	
2	R189142	LABEL	1	-001744	X	
3	R187816	LABEL	1	-001744	X (B)	
	R187391	LABEL	1	-001744	X (A)	
4	R213192	LABEL	1	-001744	X (A)	
	R213241	LABEL	1	-001744	X (B)	
5	R189136	LABEL	1	-001744	X	
6	N302284	LABEL	1		X	
7	RE256148	KIT	1	001745-	X	

(A) NORTH AMERICAN VERSION  
 VERSION NORD AMERICAINE  
 NORDAMERIKANISCHE AUSFUEHRU  
 VERSIONE NORDAMERICANA  
 VERSION NORTEAMERICANA  
 NORDAMERIKANSK VERSION

(B) EUROPEAN VERSION  
 VERSION EUROPEENNE  
 EUROPAEISCHE AUSFUEHRUNG  
 VERSIONE EUROPEA  
 VERSION EUROPEA  
 VERSION EUROPEA

NUMERICAL INDEX

PART NO.	KEY	PAGE	PART NO.	KEY	PAGE	PART NO.	KEY	PAGE
AA21292	3	70-63	AL159974	26	70-17	AR211154	12	70-75
AA58159	6	70-82	AL159974	41	70-19	AR216079	13	70-65
AE71228	6	70-82	AL160390	1	70-89	AR21840	28	80-55
AE71229	6	70-82	AL160393	1	70-91	AR219583	..	44-15
AE71230	6	70-82	AL160394	2	70-91	AR221648	1	71-15
AH104259	1	91-14	AL162256	8	70-87	AR223359	16	44-3
AH117301	2	42-9	AL162257	9	70-87	AR223585	..	60-67
AH151508	4	70-44	AL163210	28	91-33	AR243091	17	42-49
AH158631	13	60-17	AL163211	28	91-33	AR245564	10	41-11
AH158827	14	60-17	AL170672	1	35-5	AR247328	21	35-11
AH159448	4	35-15	AL170735	5	41-18	AR247858	1	70-30
AH160036	2	60-17	AL170735	8	41-19	AR248794	..	93-3
AH162914	25	35-15	AL172871	5	41-18	AR248794	..	93-4
AH164325	7	60-20	AL172871	8	41-19	AR248794	..	93-5
AH164325	7	60-21	AL26778	4	80-68	AR248794	..	93-7
AH165079	31	35-15	AL32891	24	42-29	AR248794	..	93-9
AH170895	16	25-3	AL33161	14	42-7	AR248794	..	93-12
AH201526	4	42-65	AL33161	2	42-71	AR248795	..	93-3
AH201526	6	42-65	AL33161	1	80-67	AR248795	..	93-4
AH206243	18	60-18	AL35642	8	91-25	AR248795	..	93-5
AH206243	18	60-19	AL39859	18	60-55	AR248795	..	93-7
AH206243	18	60-20	AL41725	9	80-68	AR248795	..	93-9
AH206243	18	60-21	AL68571	8	60-65	AR248795	..	93-12
AH206245	7	60-18	AL68572	9	60-65	AR252678	..	80-51
AH206245	7	60-19	AL68573	1	60-67	AR253237	19	51-31
AH208773	3	70-43	AL68577	4	60-67	AR253240	12	53-15
AH208773	3	70-44	AL71345	1	91-38	AR253240	13	53-17
AH208773	3	70-45	AL71350	3	91-38	AR253240	13	53-19
AH214612	4	70-43	AL75642	13	44-10	AR253240	13	53-21
AH214615	4	70-44	AL75721	2	60-16	AR253244	7	51-33
AH216634	4	70-45	AL76568	7	42-29	AR253244	9	52-25
AH219514	3	60-18	AL76568	13	42-29	AR254653	12	41-15
AH219514	3	60-19	AL76943	3	70-57	AR255881	7	43-5
AH219514	3	60-20	AL77028	1	72-7	AR255999	1	70-30
AH219514	3	60-21	AL77442	10	80-67	AR27806	1	80-15
AH76883	15	20-59	AL77711	1	91-25	AR48015	4	42-69
AH76883	5	44-1	AL77794	25	91-33	AR49025	10	20-75
AH83821	13	71-17	AL78021	5	91-21	AR50411	4	25-13
AH86866	18	80-25	AL78021	21	91-23	AR55394	19	20-59
AH86866	12	80-27	AL78652	26	60-55	AR56766	1	42-24
AH86866	12	80-29	AL78708	15	70-93	AR56766	32	42-29
AH89023	6	51-19	AL78708	15	70-101	AR56766	3	91-14
AH89023	1	51-35	AL79013	6	91-25	AR58952	18	20-59
AH89023	1	51-37	AL80389	8	92-17	AR60372	16	72-3
AH94661	1	51-22	AL81691	9	42-67	AR60937	2	91-14
AL111719	8	60-61	AL81937	7	60-57	AR62150	21	70-67
AL112561	3	41-19	AM102170	4	43-4	AR62150	7	70-77
AL113174	20	91-37	AM131969	33	71-5	AR68801	7	80-63
AL113865	1	42-49	AR103808	7	70-119	AR69444	1	70-1
AL113954	1	60-71	AR103873	4	51-5	AR69445	1	70-1
AL114614	2	41-17	AR103873	7	51-7	AR69988	18	70-81
AL115368	6	55-54	AR104516	9	42-61	AR73500	1	70-118
AL117727	9	70-57	AR104516	10	42-61	AR75693	3	60-43
AL117898	30	60-49	AR104516	1	42-63	AR75695	8	42-3
AL14535	19	70-69	AR104516	2	42-63	AR75695	8	42-5
AL14535	23	70-71	AR112601	..	91-25	AR83396	4	70-59
AL14535	6	70-73	AR112621	1	91-27	AR83396	4	70-61
AL150662	7	60-55	AR114522	11	42-41	AR83396	3	70-65
AL150662	1	60-78	AR114664	5	70-107	AR83396	11	70-75
AL151060	18	70-95	AR114664	5	70-111	AR87079	4	25-13
AL151873	1	42-65	AR116863	19	..	AR89303	1	70-63
AL151873	2	44-9	AR179948	..	52-19	AR89543	1	53-31
AL155227	9	60-1	AR190666	1	80-42	AR90369	13	92-17
AL156201	23	60-39	AR190668	1	80-42	AR90577	5	70-82
AL157838	25	90-7	AR190669	1	80-42	AR90578	5	70-82
AL159328	1	70-103	AR194744	1	80-42	AR93820	8	70-116
			AR211153	24	70-73	AR94522	1	70-97

NUMERICAL INDEX - CONTINUED

PART NO.	KEY	PAGE	PART NO.	KEY	PAGE	PART NO.	KEY	PAGE
AR94522	7	70-99	AT25226	7	80-39	F1373R	24	82-7
AR94522	10	70-116	AT25226	7	80-41	F1743R	4	82-75
AR94761	4	54-19	AT301456	6	35-5	F1870R	41	82-76
AR94761	4	54-21	AT315761	7	92-5	F1870R	11	82-77
AR98201	2	70-116	AT318163	22	90-7	F2380R	18	82-78
AR98202	1	70-116	AT318164	24	90-7	F2380R	19	82-79
AR98850	20	20-45	AT318165	21	90-7	F2380R	19	82-80
AT101923	48	70-11	AT318166	23	90-7	F2380R	19	82-81
AT107509	28	51-7	AT35831	37	35-15	F2863R	7	82-82
AT107509	6	51-17	AT75387	4	80-64	F304R	20	82-83
AT107509	7	51-17	AT85197	1	70-118	F3171R	9	82-84
AT107509	23	51-35	AZ12018	6	43-5	F3171R	9	82-85
AT107509	23	51-37	AZ34621	10	42-67	F3171R	6	82-86
AT107509	14	52-3	AZ44705	15	42-67	F3171R	29	82-87
AT107509	17	52-7	AZ46922	14	42-67	F3171R	11	82-88
AT107509	21	52-21	AZ46924	12	42-67	F3171R	4	82-89
AT107509	4	52-29	A1160R	33	52-21	F3171R	25	82-90
AT107509	12	53-13	A30302	32	70-65	F3171R	25	82-91
AT107509	17	55-7	A31726	32	70-65	F3171R	25	82-92
AT107509	21	55-23	A32367	14	70-103	F3171R	4	82-93
AT107509	25	55-27	A3581R	8	70-65	F3171R	6	82-94
AT107510	2	52-19	A36284	32	70-65	F3171R	11	82-95
AT107510	18	55-11	A36380	19	60-5	F3171R	16	82-96
AT107510	14	55-25	A364R	21	55-51	F3171R	3	82-97
AT107510	23	55-27	A3917R	5	54-3	F3353R	44	82-98
AT116162	3	41-11	A4540R	5	54-5	F3353R	3	82-99
AT116162	6	60-9	A4540R	16	70-17	F3353R	3	83-00
AT116162	5	60-29	A4540R	24	70-19	F3450R	2	83-01
AT116162	4	91-47	A4540R	12	70-26	F3450R	28	83-02
AT116162	6	93-12	A4540R	12	70-27	F433465	14	83-03
AT120461	2	41-13	A4540R	18	70-28	F534R	10	83-04
AT128774	1	70-39	A4540R	8	42-31	F534R	17	83-05
AT13740	21	20-45	A4827R	4	80-25	F534R	10	83-06
AT13740	17	25-5	A4883R	26	72-3	F534R	17	83-07
AT139776	7	25-5	A5067R	20	91-47	GX20427	3	83-08
AT140957	7	42-67	A52024	3	60-16	H102554	2	83-09
AT140957	5	42-70	A5518R	10	25-3	H111706	18	83-10
AT141924	6	80-64	A60341	8	70-63	H112567	11	83-11
AT186760	16	91-17	A776R	2	52-5	H112567	47	83-12
AT18904	3	70-30	B2762R	6	52-7	H112567	17	83-13
AT193500	27	90-15	B2762R	23	70-49	H112567	23	83-14
AT193500	2A	90-25	B2762R	39	60-49	H115379	48	83-15
AT195144	13	25-9	B2982R	10	52-17	H115379	37	83-16
AT195441	12	92-5	B3118R	1	41-10	H115379	11	83-17
AT195442	18	92-5	B32209	8	60-1	H117239	11	83-18
AT209016	12	92-5	B3690R	1	94-5	H123995	10	83-19
AT209020	13	92-7	CC40740	1	54-3	H123995	15	83-20
AT209020	13	92-11	CH17453	1	54-5	H123995	33	83-21
AT209024	13	92-3	CH17453	10	70-116	H131424	1	83-22
AT209025	3	92-3	C14618	26	52-7	H132795	3	83-23
AT209026	14	92-3	C19243	9	53-5	H133106	12	83-24
AT209225	2	92-3	C19243	9	53-7	H133106	12	83-25
AT22070	3	80-48	C19243	3	43-5	H135155	18	83-26
AT22073	1	80-48	DQ47593	13	80-15	H137447	27	83-27
AT25226	16	80-15	D2127W	3	51-7	H138955	1	83-28
AT25226	2	80-17	D2361R	19	51-13	H140823	30	83-29
AT25226	2	80-19	D2361R	24	51-19	H141123	9	83-30
AT25226	2	80-21	D2361R	3	20-21	H141510	22	83-31
AT25226	1	80-22	ET14521	3	20-23	H149095	14	83-32
AT25226	2	80-23	ET14521	5	20-25	H150411	10	83-33
AT25226	18	80-25	ET14521	26	55-37	H151629	3	83-34
AT25226	12	80-27	ET14521	9	42-15	H151629	19	83-35
AT25226	12	80-29	ET15766	5	42-25	H151629	19	83-36
AT25226	14	80-31	ET15766	5	43-3	H153659	4	83-37
AT25226	9	80-33	E55662	10	55-39	H153834	1	83-38
AT25226	9	80-35	E66413	13	71-1	H155964	8	83-39
AT25226	7	80-37	E69392					83-40

NUMERICAL INDEX - CONTINUED

PART NO.	KEY	PAGE	PART NO.	KEY	PAGE	PART NO.	KEY	PAGE
H155964	8	60-19	JD126	25	70-65	JD8130	13	52-11
H155964	8	60-20	JD5404	30	70-65	JD8130	14	52-17
H155964	8	60-21	JD5723	33	80-55	JD8131	3	80-15
H156922	13	25-3	JD5839	8	44-4	JD8147	20	52-31
H158676	5	60-18	JD5839	4	80-55	JD8159	10	52-11
H158676	5	60-19	JD5920	24	44-15	JD8159	5	52-13
H158676	5	60-20	JD5921	22	44-15	JD8159	6	52-17
H158676	5	60-21	JD5922	23	44-15	JD8177	24	53-5
H158942	6	60-17	JD5929	23	70-65	JD8177	24	53-7
H164204	12	60-18	JD7242	1	54-23	JD8191	28	53-13
H164204	12	60-19	JD7242	15	54-23	JD8206	6	52-21
H164204	12	60-20	JD7242	1	54-25	JD8210	8	52-11
H164204	12	60-21	JD7242	15	54-25	JD8210	4	52-13
H164205	13	60-18	JD7266	7	80-15	JD8210	7	52-17
H164205	13	60-19	JD7292	11	53-27	JD8213	23	53-5
H164359	8	60-17	JD7292	11	54-7	JD8213	23	53-7
H164360	11	60-17	JD7292	10	54-9	JD8214	27	53-13
H164925	6	60-20	JD7292	2	54-11	JD8247	7	53-27
H164925	6	60-21	JD7292	2	54-13	JD8248	8	53-15
H169509	12	60-17	JD7297	4	53-25	JD8252	7	54-11
H171330	5	60-17	JD7297	6	53-29	JD8252	7	54-13
H174831	5	35-15	JD7298	24	52-23	JD8267	33	52-31
H176260	6	60-18	JD7366	5	52-21	JD8295	34	52-31
H176260	6	60-19	JD7370	5	53-25	JD8297	5	53-19
H180248	13	60-20	JD7370	5	53-29	JD8297	5	53-21
H180248	13	60-21	JD7378	12	53-27	JD8535	11	51-3
H206364	17	60-18	JD7424	15	53-27	JD8535	2	60-39
H206364	17	60-19	JD7425	21	52-31	JD8537	3	54-3
H207111	4	60-18	JD7425	1	70-3	JD8537	3	54-5
H207111	4	60-19	JD7439	4	80-15	JD8568	13	51-33
H207111	4	60-20	JD7446	14	52-11	JD8568	5	52-25
H207111	4	60-21	JD7446	15	52-17	JD8644	25	52-7
H211934	2	70-43	JD7446	4	55-9	JD8870	4	53-5
H211934	2	70-44	JD7759	2	54-19	JD8870	4	53-7
H211934	2	70-45	JD7759	2	54-21	JD8930	8	54-19
H220532	17	60-20	JD7759	15	55-39	JD8930	8	54-21
H220532	17	60-21	JD7781	19	55-11	JD8932	5	55-9
H25220	12	91-31	JD7781	22	55-35	JD9018	9	53-15
H26065	3	20-77	JD7781	5	55-37	JD9021	15	54-7
H33801	11	20-77	JD7797	4	54-26	JD9021	14	54-9
H63262	11	41-15	JD7797	4	54-27	JD9043	16	54-3
H63262	17	51-33	JD7797	4	80-13	JD9043	15	54-5
H63773	12	20-63	JD7798	2	54-19	JD9043	3	70-3
H63773	19	20-65	JD7798	11	60-18	JD9049	4	70-3
H63773	19	20-67	JD7798	11	60-19	JD9050	18	54-15
H63773	12	20-69	JD7798	11	60-20	JD9050	24	54-15
H63773	19	20-71	JD7798	11	60-21	JD9050	18	54-17
H63773	19	20-73	JD7798	2	70-40	JD9050	24	54-17
H80128	9	60-7	JD7798	2	70-41	JD9050	2	55-17
H80753	35	71-7	JD7798	5	70-43	JD9055	13	52-21
H85092	4	90-15	JD7798	5	70-44	JD9055	19	55-17
H86981	21	51-33	JD7798	5	70-45	JD9069	7	53-13
JDG1885	4	70-117	JD7798	8	70-47	JD9069	10	53-17
JD10116	10	51-33	JD7798	2	70-51	JD9069	10	53-19
JD10116	11	52-25	JD7798	6	70-59	JD9069	10	53-21
JD10134	4	53-17	JD7798	6	70-61	JD9075	14	53-5
JD10135	5	53-17	JD7798	6	80-3	JD9075	14	53-7
JD10181	10	51-3	JD7798	6	80-5	JD9083	17	55-31
JD10190	8	80-15	JD7798	6	80-7	JD9083	23	55-31
JD10226	19	53-9	JD7798	6	80-9	JD9083	17	55-33
JD10226	8	54-3	JD7798	9	80-11	JD9083	23	55-33
JD10226	10	54-7	JD7799	5	55-35	JD9109	15	54-3
JD10227	18	53-9	JD7799	3	70-49	JD9109	14	54-5
JD10227	9	54-3	JD7799	11	70-49	JD9109	5	70-3
JD10227	9	54-7	JD7799	8	80-11	JD9114	6	70-3
JD10266	5	52-5	JD7847	11	70-95	JD9115	19	54-15
JD10527	8	53-27	JD8100	19	53-27	JD9115	23	54-15

NUMERICAL INDEX - CONTINUED

PART NO.	KEY	PAGE	PART NO.	KEY	PAGE	PART NO.	KEY	PAGE
JD9115	9	54-17	L12491	9	80-63	L79302	1	80-65
JD9115	23	54-17	L150699	1	70-95	L79432	1	91-35
JD9115	3	55-17	L151020	5	42-49	L79433	1	91-35
JD9118	14	52-21	L151887	7	42-49	L79601	3	91-35
JD9118	20	55-17	L152161	4	42-49	L79648	4	91-23
JD9127	8	53-13	L152325	5	72-11	L79672	13	70-93
JD9127	9	53-17	L152378	15	42-49	L79672	13	70-101
JD9127	9	53-19	L153387	6	42-49	L79784	2	91-21
JD9127	9	53-21	L153768	20	90-7	L79784	19	91-23
JD9132	20	53-5	L154171	11	41-9	L80013	4	91-25
JD9132	20	53-7	L154458	2	41-18	L80014	3	91-25
JD9152	18	55-31	L154458	9	41-19	L80015	2	91-25
JD9152	22	55-31	L155075	35	42-29	L80051	4	70-101
JD9152	18	55-33	L156429	12	70-95	L80052	4	70-93
JD9152	22	55-33	L156822	26	60-49	L80052	9	70-101
JD9346	21	52-17	L158449	18	70-85	L80302	1	42-17
JD9833	5	51-5	L1610N	8	51-35	L80465	11	70-93
K40003	11	80-13	L1610N	8	51-37	L83677	7	42-7
LVU13421	3	35-1	L32997	2	70-57	M112442	30	91-37
L100436	6	60-1	L33035	21	53-27	M115279	1	42-29
L100459	2	70-99	L33629	8	80-68	M115279	13	91-13
L100496	18	51-7	L38797	17	91-23	M115279	5	92-5
L100644	11	44-2	L39134	1	90-22	M115279	14	92-13
L102023	14	91-17	L39134	5	90-22	M117141	13	90-11
L102154	42	71-7	L39905	3	70-99	M117141	12	90-11
L102155	42	71-7	L40829	16	70-57	M122275	13	35-3
L102156	42	71-7	L40829	21	72-3	M131013	8	80-57
L102157	42	71-7	L53976	7	60-78	M133730	47	25-5
L102179	18	92-17	L55969	2	35-6	M134056	10	70-57
L102193	13	70-113	L55969	10	80-55	M136047	37	80-55
L102199	27	70-113	L57250	11	43-4	M144685	3	90-19
L102453	3	60-78	L57250	10	91-17	M144685	3	90-21
L110309	21	70-101	L57881	30	90-15	M4125T	28	52-5
L110367	8	44-2	L58890	11	91-31	M44162	10	60-13
L111419	35	91-33	L58890	4	91-35	M44162	10	60-19
L113119	3	42-49	L59572	8	70-113	M44162	10	60-21
L113436	17	91-37	L59573	7	70-113	M44162	10	60-21
L113440	8	91-37	L61447	20	70-101	M72077	4	35-9
L113570	14	42-49	L63262	2	94-6	M74782	9	90-15
L113583	1	55-53	L63825	2	70-103	M76625	3	55-15
L113583	9	55-55	L63826	3	70-103	M84971	7	25-6
L113717	4	91-37	L64456	33	53-27	M84971	11	72-7
L113738	19	70-67	L64996	7	94-9	M84971	6	92-15
L113738	18	70-69	L65000	7	41-11	M84972	7	25-7
L113738	18	70-71	L65000	3	94-9	M84972	5	35-9
L113738	18	70-73	L65043	1	60-61	M84972	10	60-73
L113738	10	70-75	L65043	5	94-9	M84972	8	60-75
L113738	14	70-81	L75379	18	91-17	M84972	4	90-11
L113738	21	70-95	L76191	10	60-7	M84972	12	90-13
L113907	21	91-37	L76331	8	80-66	M84972	11	90-15
L113908	19	91-37	L76331	15	90-22	M84972	13	90-17
L114994	11	42-45	L77652	13	91-35	M84972	4	91-13
L114997	5	42-45	L77943	18	90-15	M84972	..	91-15
L115082	5	70-57	L78069	20	90-17	M84972	27	91-19
L115083	6	70-57	L78422	9	52-29	M86863	34	60-55
L115093	16	25-17	L78625	5	91-25	M91405	5	43-4
L115253	13	42-49	L78690	2	60-78	N135135	19	92-20
L115353	8	70-57	L78691	1	91-38	N137598	62	51-37
L115418	21	70-73	L78703	18	91-37	N137598	25	70-53
L115418	8	70-75	L78703	8	91-33	N137598	16	70-65
L115605	4	94-6	L78703	12	91-35	N153493	26	51-33
L115772	11	42-49	L78704	31	91-33	N158796	11	70-49
L115773	12	42-49	L78705	32	91-33	N191770	6	60-31
L116119	9	42-49	L78851	5	91-33	N191770	2	60-35
L116147	8	42-45	L78851	10	91-35	N191985	15	60-18
L116148	7	42-45	L79050	8	44-8	N191985	15	60-19
L116193	6	42-45	L79076	8	70-101	N191985	15	60-20

NUMERICAL INDEX - CONTINUED

PART NO.	KEY	PAGE	PART NO.	KEY	PAGE	PART NO.	KEY	PAGE
N191985	15	60-21	RE150545	4	41-12	RE160203	4	55-29
N191985	18	60-25	RE150563	8	41-12	RE160903	4	41-20
N202662	3	71-17	RE150663	15	60-61	RE160963	5	42-37
N202894	11	91-13	RE150871	20	70-67	RE160963	6	42-37
N202894	13	91-13	RE150871	1	70-77	RE161439	3	71-13
N208824	25	91-17	RE151144	6	44-18	RE161991	11	80-25
N209668	28	91-17	RE151144	16	51-33	RE161991	14	80-27
N209673	26	91-17	RE151144	3	52-25	RE161991	14	80-29
N209692	23	91-17	RE151144	8	70-3	RE161991	3	80-37
N275830	16	20-63	RE151332	4	92-19	RE161991	3	80-39
N275830	22	20-65	RE151494	3	42-65	RE161991	3	80-41
N275830	22	20-67	RE151494	2	91-27	RE162149	15	51-25
N275830	16	20-69	RE151774	4	60-3	RE162149	27	51-25
N275830	22	20-71	RE151934	2	70-109	RE162149	39	51-25
N275830	22	20-73	RE152147	16	42-29	RE162149	12	51-27
N279639	7	55-55	RE152475	10	42-29	RE162149	24	51-27
N302284	6	94-16	RE152796	2	42-3	RE162149	11	53-5
PM797NA	1	40-1	RE152796	2	42-5	RE162149	11	53-7
PT11778	17	90-15	RE152796	2	42-7	RE162644	1	91-50
PT11778	17	90-17	RE153289	3	41-15	RE162743	24	52-9
P42061	29	51-19	RE154222	9	42-7	RE162747	1	52-29
P45750	16	60-18	RE154222	10	42-29	RE162863	6	55-53
P45750	16	60-19	RE154375	13	53-7	RE162865	5	55-53
P45750	16	60-20	RE154412	20	51-9	RE163093	7	52-9
P45750	16	60-21	RE154869	25	54-15	RE163094	43	52-9
P46051	18	55-51	RE154869	25	54-17	RE163451	1	92-1
P46770	6	51-43	RE154994	15	91-21	RE163452	1	92-1
P46770	6	51-45	RE154994	16	91-23	RE163491	35	53-11
P46770	10	52-15	RE155450	39	60-31	RE163491	19	55-45
P46770	26	53-9	RE155958	12	51-19	RE163491	4	55-47
P47889	15	51-39	RE156605	3	80-17	RE163491	2	60-53
P47889	15	51-41	RE156605	3	80-19	RE163675	1	90-15
P47889	17	54-7	RE156605	3	80-21	RE163675	1	90-17
P47889	16	54-9	RE156606	3	80-17	RE163711	13A	70-57
P47889	8	54-15	RE156606	3	80-19	RE163804	4	42-3
P47889	8	54-17	RE156607	3	80-19	RE163804	4	42-5
P47889	2	55-11	RE156607	3	80-17	RE164038	14	80-27
P47889	9	55-31	RE156608	3	80-19	RE164038	14	80-29
P47889	9	55-33	RE156608	3	80-17	RE164038	14	80-29
P47889	9	60-23	RE156609	3	80-19	RE164039	10	80-31
P48347	3	55-35	RE156609	3	80-17	RE164039	13	80-35
P48347	6	70-37	RE156610	3	80-19	RE164448	1	42-16
P50631	9	51-43	RE156610	3	80-17	RE164544	13B	70-57
P50631	9	51-45	RE156610	3	80-19	RE164545	13B	70-57
P50631	1	52-15	RE157055	18	51-9	RE165207	18	92-9
P50631	24	53-9	RE157111	1	60-33	RE165499	14	92-7
P51079	1	55-48	RE157244	7	90-13	RE165590	15	92-9
RE11447	9	70-116	RE157329	11	90-19	RE165591	16	92-9
RE11456	2	70-116	RE157329	11	90-21	RE165649	28	51-3
RE11457	1	70-116	RE158047	3	54-19	RE165739	5	42-55
RE11458	2	70-116	RE158047	3	54-21	RE165739	13	42-61
RE11463	2	70-116	RE158048	3	54-19	RE165815	15	42-29
RE12332	17	40-3	RE158048	3	54-21	RE166180	11	80-25
RE12333	20	40-3	RE158066	3	54-21	RE166180	14	80-29
RE12334	8	40-3	RE158066	3	51-25	RE166180	2	80-22
RE12362	4	40-3	RE158066	9	51-39	RE166190	2	80-17
RE12363	11	40-3	RE158634	9	51-41	RE166194	3	80-19
RE12363	12	40-3	RE158634	9	55-23	RE166194	3	80-21
RE12363	11	41-23	RE159217	18	55-27	RE166194	3	80-21
RE12363	14	41-23	RE159503	36	60-31	RE166223	6	55-17
RE12363	19	44-15	RE159802	8	70-77	RE166242	6	35-6
RE12363	19	44-17	RE159805	9	60-61	RE166242	9	35-9
RE12364	15	40-3	RE159993	2	60-61	RE166297	12	92-3
RE12365	19	40-3	RE160203	4	52-5	RE166298	9	92-3
RE12366	24	40-3	RE160203	7	55-21	RE166302	14	92-5
RE13541	11	92-3	RE160203	17	55-23	RE166304	15	92-5
RE14439	6	53-25	RE160203	3	55-25	RE166312	10	92-3
			RE160203	10	55-27	RE166322	21	92-3
						RE166323	22	92-3

NUMERICAL INDEX - CONTINUED

PART NO.	KEY	PAGE	PART NO.	KEY	PAGE	PART NO.	KEY	PAGE
RE166324	23	92-3	RE172228	5	55-43	RE174238	11	70-115
RE166328	2	92-7	RE172228	5	55-45	RE174340	3	80-17
RE166328	2	92-11	RE172228	2	55-51	RE174340	3	80-19
RE166332	4	92-7	RE172229	6	55-43	RE174341	2	80-22
RE166332	4	92-11	RE172229	6	55-45	RE174387	14	80-27
RE166334	12	92-11	RE172229	3	55-51	RE174387	14	80-29
RE166335	21	92-9	RE172230	7	55-43	RE174388	10	80-31
RE166335	17	92-11	RE172230	7	55-45	RE174388	13	80-35
RE166336	30	92-9	RE172230	4	55-51	RE174394	2	80-22
RE166336	16	92-11	RE172231	8	55-43	RE174401	1	92-20
RE166337	7	92-7	RE172231	8	55-45	RE174402	2	92-20
RE166337	7	92-11	RE172231	5	55-51	RE174403	4	92-20
RE166340	6	92-7	RE172232	9	55-43	RE174520	11	42-35
RE166340	6	92-11	RE172232	9	55-45	RE174632	10	80-31
RE166341	5	92-7	RE172232	9	55-45	RE174632	13	80-35
RE166341	5	92-11	RE172232	10	55-48	RE174632	3	80-23
RE166344	18	80-22	RE172232	12	55-48	RE174639	14	80-27
RE166721	2	80-22	RE172232	13	55-48	RE174760	21	90-15
RE166723	2	80-22	RE172233	10	55-43	RE174764	18	90-17
RE166766	20	52-9	RE172233	10	55-45	RE174764	1	90-19
RE167207	15	20-45	RE172233	6	55-51	RE174764	1	90-21
RE167426	8	92-7	RE172234	11	55-43	RE174770	14	80-23
RE167426	8	92-11	RE172234	7	55-51	RE174796	4	72-7
RE167922	2	51-33	RE172234	12	55-43	RE174796	14	72-9
RE167922	14	52-13	RE172235	12	55-43	RE175015	15	55-43
RE167922	11	52-29	RE172235	12	55-45	RE175015	15	55-45
RE167955	10	80-31	RE172235	8	55-51	RE175015	10	55-51
RE167955	13	80-35	RE172236	13	55-43	RE175015	10	55-47
RE168092	24	55-31	RE172236	13	55-45	RE175016	1	60-35
RE168092	24	55-33	RE172236	9	55-51	RE175238	1	72-7
RE168161	9	51-13	RE172245	24	92-17	RE175335	5	72-7
RE168331	6	92-3	RE172803	3	80-23	RE175353	11	42-37
RE168454	5	42-63	RE172887	15	93-12	RE175448	13	54-19
RE168454	6	42-63	RE172896	14	80-27	RE175448	13	54-21
RE168454	8	42-63	RE172896	14	80-29	RE175448	5	55-21
RE168481	58	51-31	RE172939	10	80-31	RE175448	15	55-23
RE168481	5	55-7	RE172939	13	80-33	RE175448	5	55-25
RE168641	2	53-15	RE172939	13	80-35	RE175448	12	55-27
RE168641	2	53-17	RE173099	10	80-31	RE175448	2	55-29
RE168771	1	70-51	RE173099	13	80-35	RE175465	18	55-43
RE168915	11	60-49	RE173363	2	60-5	RE175465	18	55-45
RE169621	4	92-17	RE173524	10	54-26	RE175481	14	80-27
RE169622	23	92-17	RE173524	10	54-27	RE175484	14	80-27
RE169836	6	44-5	RE173530	3	55-37	RE175484	14	80-29
RE169920	1	92-15	RE173530	2	55-37	RE175488	14	80-27
RE170307	19	42-29	RE173540	9	54-26	RE175488	14	80-29
RE170543	5	42-3	RE173540	9	54-27	RE175489	14	80-27
RE170543	5	42-5	RE173541	5	54-26	RE175489	14	80-29
RE170757	3	70-51	RE173541	5	54-27	RE175504	10	60-61
RE171004	3	80-17	RE173568	20	70-69	RE175532	11	80-25
RE171004	3	80-19	RE173568	22	70-71	RE175532	14	80-27
RE171073	14	80-27	RE173568	23	70-73	RE175532	3	80-37
RE171073	14	80-29	RE173568	1	70-79	RE175532	3	80-39
RE171278	12A	70-59	RE173568	16	51-35	RE175533	11	80-25
RE172185	14	80-27	RE173579	16	51-37	RE175533	14	80-27
RE172185	3	80-37	RE173579	11	55-7	RE175533	14	80-29
RE172185	3	80-39	RE173600	1	44-4	RE175533	3	80-17
RE172186	11	80-25	RE173600	4	44-5	RE175579	3	80-19
RE172186	14	80-27	RE173602	2	42-65	RE175579	3	80-21
RE172186	14	80-29	RE173602	1	44-11	RE175579	3	80-21
RE172186	3	80-37	RE173602	1	42-3	RE175876	1	92-1
RE172186	3	80-39	RE173604	7	42-5	RE175876	1	92-7
RE172186	3	80-41	RE173604	7	42-7	RE176215	1	92-1
RE172190	11	55-3	RE173604	6	44-10	RE176216	1	92-1
RE172227	4	55-43	RE173604	1	44-12	RE176220	21	92-5
RE172227	4	55-45	RE173789	7	70-79	RE176393	16	91-41
RE172227	1	55-51	RE173964	29	51-13	RE176410	20	55-43
			RE174158	3	55-9	RE176457	3	80-17
						RE176457	3	80-19



## NUMERICAL INDEX - CONTINUED

PART NO	KEY	PAGE	PART NO	KEY	PAGE	PART NO	KEY	PAGE
RE176460	14	80-27	RE184378	7	55-54	RE190805	19	52-3
RE176460	14	80-29	RE184379	28	91-19	RE190805	14	52-3
RE177049	6	42-30	RE184379	28	91-19	RE190805	3	53-3
RE177506	30	51-3	RE184425	6	80-55	RE190805	8	53-11
RE177538	2	51-19	RE185258	24	92-19	RE190805	5	55-13
RE177539	14	51-7	RE185572	19	44-5	RE190805	14	55-43
RE177967	22	90-15	RE185583	18	44-5	RE190805	21	55-43
RE177967	24	90-17	RE185742	8	44-5	RE190805	14	55-45
RE178603	4	71-1	RE185792	21	54-19	RE190805	21	55-45
RE178603	4	71-9	RE185799	21	54-21	RE190805	5	55-47
RE178676	1	60-16	RE186112	2	55-53	RE190805	28	70-11
RE178676	15	60-17	RE186112	1	55-54	RE190805	2	70-13
RE178960	15	92-19	RE186113	3	55-53	RE190805	8	71-1
RE179236	8	91-9	RE186113	1	55-54	RE190805	9	71-5
RE179326	2	44-1	RE186599	2	71-10	RE190805	25	71-13
RE179326	2	44-2	RE186600	48	71-7	RE190897	4	90-13
RE179326	1	44-3	RE186601	1	71-10	RE191201	10	80-31
RE179326	4	44-4	RE186844	30	55-51	RE191201	13	80-33
RE179326	2	44-10	RE186845	31	55-51	RE191201	13	80-35
RE179326	2	44-11	RE186846	27	55-51	RE191202	10	80-31
RE179326	2	44-12	RE186847	28	55-51	RE191202	13	80-35
RE179528	16	92-19	RE186848	11	55-47	RE191205	10	80-31
RE179743	16	90-13	RE186848	26	55-51	RE191205	13	80-33
RE179848	12	55-35	RE186848	3	60-53	RE191205	13	80-35
RE179848	22	55-37	RE186849	11	55-48	RE191206	10	80-31
RE179855	4	55-37	RE186850	29	55-51	RE191206	13	80-35
RE179973	17	42-3	RE187024	47	53-11	RE191207	10	80-31
RE179973	17	42-5	RE187311	16	90-15	RE191207	13	80-35
RE179973	20	42-7	RE187311	22	90-17	RE191360	18	55-37
RE179973	1	44-1	RE187654	6	90-17	RE191362	18	55-37
RE179974	2	44-5	RE187966	8	35-16	RE191390	2	42-78
RE179974	2	44-13	RE187966	3	90-15	RE191541	3	90-13
RE179975	3	44-5	RE187966	3	90-17	RE191647	18	90-13
RE179975	4	44-13	RE188218	22	55-43	RE191648	12	91-13
RE179984	36	53-11	RE188346	24	71-7	RE191665	19	25-11
RE180515	13	60-45	RE188347	11	71-13	RE191665	2	51-17
RE180613	2	44-4	RE188533	2	54-19	RE191665	4	51-25
RE180668	26	70-63	RE188533	2	54-21	RE191665	19	51-25
RE180696	4	42-22	RE188579	18	42-29	RE191665	31	51-25
RE180853	3	92-17	RE188710	6	92-3	RE191665	42	51-25
RE181281	2	44-3	RE188711	12	92-7	RE191665	20	51-27
RE181282	1	44-5	RE188716	9	92-7	RE191665	32	51-27
RE181793	4	55-3	RE188716	9	92-11	RE191665	6	51-35
RE181887	20	51-35	RE188717	23	92-9	RE191665	6	51-37
RE181887	20	51-37	RE188726	3	92-7	RE191783	7	20-39
RE181887	15	55-7	RE188726	3	92-11	RE191783	13	80-61
RE182488	14	92-11	RE188727	29	92-9	RE191816	2	53-19
RE182855	20	71-7	RE188729	11	92-7	RE191816	2	53-21
RE182867	6	71-1	RE188731	7	92-5	RE191835	16	42-67
RE182868	5	71-1	RE188735	21	92-5	RE191836	17	42-67
RE182871	1	71-11	RE189197	1	60-69	RE192082	7	55-31
RE183350	9	55-29	RE189402	15	92-11	RE192082	7	55-33
RE183707	1	42-30	RE189405	11	92-11	RE192348	8	54-5
RE183708	1	42-30	RE189407	20	92-9	RE192348	9	54-9
RE183808	7	70-101	RE189408	17	92-9	RE192440	8	72-11
RE183927	13	53-5	RE189796	2	42-21	RE192443	5	72-9
RE183929	6	42-29	RE189796	10	92-5	RE192472	7	72-9
RE183935	11	42-31	RE190139	2	42-55	RE192474	9	72-9
RE183942	1	92-1	RE190139	1	42-61	RE192475	8	72-10
RE183943	1	92-1	RE190140	2	42-55	RE192476	11	72-9
RE184007	2	55-54	RE190140	1	42-61	RE192477	10	72-9
RE184008	2	55-54	RE190253	2	44-8	RE192516	11	72-3
RE184009	8	55-54	RE190289	47	51-31	RE192520	20	72-3
RE184010	4	55-54	RE190340	11	90-19	RE192521	4	72-3
RE184012	5	55-54	RE190340	11	90-21	RE192523	17	72-3
RE184015	3	55-54	RE190805	39	25-5	RE192524	18	72-3
RE184016	9	55-54	RE190805	16	51-11	RE192525	24	72-3

NUMERICAL INDEX - CONTINUED

PART NO	KEY	PAGE	PART NO	KEY	PAGE	PART NO.	KEY	PAGE
RE192527	14	72-3	RE203830	6	53-3	RE210596	11	70-59
RE192528	7	72-3	RE204154	9	52-17	RE210596	8	70-57
RE192528	35	72-3	RE204327	3	42-3	RE210596	11	70-57
RE192537	10	60-63	RE204327	3	42-5	RE210599	12B	70-59
RE192542	2	72-3	RE204327	3	42-7	RE210599	22	70-59
RE192543	17	60-63	RE204690	3	60-25	RE210599	12B	70-57
RE192544	18	60-63	RE204691	1	60-25	RE210599	28	70-57
RE192707	20	92-20	RE204888	6	41-5	RE210607	13A	70-57
RE192986	25	92-17	RE204888	16	52-3	RE210613	2	70-59
RE193099	8	55-21	RE204974	26	71-7	RE210616	10	70-59
RE193099	18	55-23	RE204974	16	71-13	RE210616	4	70-57
RE193099	2	55-25	RE205743	17	91-5	RE210687	13B	70-57
RE193099	9	55-27	RE206073	9	90-17	RE210688	13B	70-57
RE193222	4	44-17	RE206146	3	55-41	RE210733	3	25-6
RE193224	12	44-17	RE206148	1	55-41	RE210793	1	43-7
RE193252	18	44-17	RE206162	2	55-41	RE210824	3	35-6
RE193357	17	55-35	RE206417	10	92-7	RE210825	3	35-6
RE193357	23	55-37	RE206425	17	54-19	RE210826	8	35-6
RE193370	4	55-53	RE206425	17	54-21	RE210829	1	35-6
RE193375	1	55-55	RE206434	15	70-97	RE210838	1A	60-77
RE193968	3	72-5	RE206435	3	70-97	RE210839	1A	60-77
RE194037	7	91-7	RE207025	2	44-15	RE210839	1A	60-77
RE194199	8	72-3	RE207025	1	44-17	RE210841	1A	55-59
RE194200	15	72-3	RE207025	13	91-19	RE210841	1A	60-77
RE194231	35	72-3	RE207026	2	44-15	RE210847	1	71-7
RE194287	4	42-75	RE207026	1	44-17	RE210850	1	42-77
RE194287	4	91-15	RE207026	13	91-19	RE210856	1	60-29
RE194478	4	60-3	RE207032	23	55-43	RE210856	1	60-37
RE195260	5	60-3	RE207311	1	41-5	RE210857	7	35-75
RE196052	15	44-10	RE207311	17	42-27	RE210857	1	70-59
RE196077	9	55-41	RE208272	15	91-35	RE210860	5	71-7
RE196193	4	42-55	RE208274	17	91-35	RE210864	15	25-6
RE196193	7	42-61	RE208336	8	90-15	RE210877	29	25-6
RE196195	14	42-61	RE208337	10	42-3	RE210879	29	25-6
RE196310	6	41-5	RE208337	10	42-5	RE210886	25	25-6
RE196310	13	53-11	RE208337	12	42-7	RE210920	2	80-55
RE196534	1	90-10	RE208432	1	90-17	RE210929	2	80-55
RE196606	13	54-23	RE208432	1	90-13	RE210933	4	25-6
RE196606	13	54-25	RE208786	7	41-9	RE210947	9	80-57
RE196847	5	55-41	RE208968	27	52-5	RE210948	8	80-57
RE197867	4	91-43	RE209133	7	55-29	RE210953	3	93-3
RE197869	4	91-44	RE209809	34	71-7	RE21099	12	41-23
RE197932	6	70-113	RE209851	1	93-3	RE211014	1	70-70
RE197943	1	91-43	RE209853	2	93-3	RE211015	4	70-70
RE197944	1	91-44	RE209891	1	60-3	RE211016	5	93-3
RE199316	4	70-97	RE210006	22	71-9	RE211019	3	70-71
RE199330	12	70-97	RE210010	16	71-9	RE211020	2	70-71
RE199331	6	51-51	RE210046	17	93-12	RE211157	7	70-71
RE199697	11	93-9	RE210096	1	91-35	RE211157	10	51-7
RE199919	14	44-15	RE210102	8	35-3	RE211157	25	51-7
RE199920	6	44-15	RE210102	2	35-16	RE211157	15	53-7
RE201032	17	41-9	RE210103	7	35-3	RE211188	4	80-57
RE201033	19	41-9	RE210103	1	35-16	RE211235	3	80-59
RE201583	28	60-45	RE210105	9	35-3	RE211235	3	80-57
RE202612	16	60-61	RE210225	1	60-18	RE211464	9	42-3
RE202612	10	60-67	RE210225	1	60-19	RE211464	9	42-5
RE202639	7	60-50	RE210226	1	60-18	RE211464	20	44-75
RE202669	21	92-11	RE210226	1	60-19	RE211465	8	42-7
RE202670	31	92-9	RE210326	30	91-19	RE211466	9	42-3
RE202688	6	60-57	RE210427	1	60-3	RE211466	9	42-5
RE203028	17	42-29	RE210457	19	53-5	RE211467	8	42-7
RE203675	2	90-13	RE210457	19	53-7	RE211470	12	42-7
RE203730	6	51-27	RE210466	1	53-11	RE211471	1	42-75
RE203754	5	51-27	RE210584	20	52-21	RE211474	1	42-27
RE203754	38	51-27	RE210584	18	52-31	RE211476	1	42-53
RE203783	1	51-17	RE210585	9	25-9	RE211478	8	42-47
RE203830	15	41-5	RE210596	8	70-59	RE211478	3	42-47

NUMERICAL INDEX - CONTINUED

PART NO	KEY	PAGE	PART NO	KEY	PAGE	PART NO	KEY	PAGE
RE211485	6	42-19	RE21519	13	41-23	RE217219	..	25-11
RE211488	1	41-7	RE215258	1	70-85	RE217641	7	70-3
RE211489	1	41-3	RE215880	12	70-17	RE217737	1	53-30
RE211490	1	41-7	RE215882	2	70-21	RE217738	2	53-30
RE211490	3	41-12	RE215884	7	70-21	RE217743	3	53-30
RE211490	8	42-19	RE215885	4	60-47	RE217754	45	52-9
RE211490	1	93-11	RE215889	14	60-15	RE217825	5	91-3
RE211491	1	41-7	RE215889	8	93-12	RE217864	29	42-29
RE211491	3	41-12	RE215892	1	60-15	RE21790	6	35-11
RE211491	8	42-19	RE215893	18	60-15	RE21790	8	35-11
RE211491	1	93-11	RE215898	13	60-15	RE218223	44	35-15
RE211496	4	41-21	RE215898	9	93-12	RE218223	6	53-48
RE211499	12	93-9	RE215899	6	70-17	RE218639	10	53-29
RE211500	13	44-4	RE215900	1	70-5	RE218822	1	41-11
RE211501	8	44-6	RE215900	5	70-5	RE218823	1	41-11
RE211501	8	44-7	RE215901	2	70-5	RE218979	5	42-35
RE211504	1	43-6	RE215901	5	70-5	RE218999	1	42-10
RE211519	2	43-6	RE215902	5	55-5	RE219034	1	42-30
RE211628	10	80-31	RE215902	33	70-17	RE219046	2	41-5
RE211628	13	80-33	RE215902	22	70-19	RE219046	3	41-5
RE211631	10	80-31	RE215904	1	60-47	RE219046	1	42-9
RE211631	13	80-33	RE215905	2	60-47	RE219053	1	42-30
RE211631	13	80-35	RE215909	4	71-18	RE219269	26	71-5
RE211640	8	80-37	RE215909	4	71-19	RE219422	3	71-107
RE211640	8	80-39	RE215910	21	60-45	RE219422	3	71-111
RE211640	8	80-41	RE215911	22	60-45	RE219422	10	71-17
RE211710	2	92-17	RE215913	4	60-45	RE219698	13	71-5
RE211712	12	92-17	RE215915	4	70-47	RE219773	8	44-15
RE211947	2	60-40	RE215916	5	70-47	RE219835	2	35-3
RE211947	2	60-41	RE215917	7	70-33	RE219835	3	41-7
RE212153	18	71-9	RE215918	6	70-33	RE219872	11	52-17
RE212376	15	71-9	RE215920	7	70-33	RE219922	..	42-59
RE212377	20	71-9	RE215921	6	70-33	RE220015	32	71-5
RE212378	19	71-9	RE216003	4	51-43	RE220036	29	51-3
RE212444	10	52-9	RE216003	4	51-45	RE220069	5	42-72
RE212709	36	52-9	RE216006	8	52-15	RE220077	12	71-5
RE212762	9	60-5	RE216007	10	51-43	RE220170	4	51-51
RE212869	6	41-12	RE216007	10	51-45	RE220171	10	50-25
RE212869	6	60-61	RE216008	9	52-15	RE220172	11	60-25
RE213144	8	41-5	RE216040	2	44-17	RE220174	7	60-45
RE213144	2	70-29	RE216055	2	60-50	RE220176	9	60-45
RE213318	8	52-23	RE216209	5	41-9	RE220177	10	50-15
RE213458	15	71-5	RE216331	4	41-7	RE220178	13	70-17
RE213458	5	71-17	RE216338	35	35-15	RE220179	38	70-17
RE213498	47	71-7	RE216479	27	71-5	RE220185	1	55-5
RE213498	9	71-13	RE216480	18	71-5	RE220185	37	70-17
RE213502	13	35-15	RE216481	22	71-5	RE220188	5	55-5
RE213549	6	54-29	RE216530	2	42-37	RE220188	33	70-17
RE213549	6	55-61	RE216530	7	42-37	RE220189	3	55-5
RE213556	21	53-9	RE216530	1	42-41	RE220189	35	70-17
RE213694	1	25-14	RE216530	3	42-43	RE220195	9	35-13
RE213694	25	52-11	RE216533	1	42-37	RE220206	4	70-33
RE214071	2	52-21	RE216533	10	42-41	RE220209	13	35-13
RE214072	3	52-23	RE216533	15	42-43	RE220261	21	71-7
RE214241	34	52-23	RE216640	1	70-105	RE220261	2	71-13
RE214440	21	25-5	RE216640	1	71-13	RE220261	12	71-13
RE214440	5	90-7	RE216787	33	71-7	RE220436	7	70-11
RE214442	2	80-22	RE216794	26	55-35	RE220437	35	70-11
RE214445	2	80-22	RE216794	16	55-37	RE220438	34	70-11
RE214447	3	80-17	RE216819	8	55-39	RE220449	3	70-85
RE214447	3	80-19	RE216821	9	55-39	RE220472	1	53-9
RE214448	3	80-17	RE216822	2	55-39	RE220511	36	90-15
RE214448	3	80-19	RE216940	8	71-5	RE220511	34	90-17
RE214650	10	80-31	RE217077	19	51-11	RE220578	1C	60-11
RE214650	13	80-33	RE217077	8	52-9	RE220578	1C	60-12
RE214650	13	80-35	RE217077	2	55-13	RE220578	1	93-5
RE214894	4	55-17	RE217219	16	25-11	RE220579	1A	55-57

# 95-10

8130, 8230, 8330, 8430, 8530 TRACTORS

## NUMERICAL INDEX - CONTINUED

PART NO.	KEY	PAGE	PART NO.	KEY	PAGE	PART NO.	KEY	PAGE
RE220579	1C	60-13	RE223408	1	55-61	RE226720	8	91-13
RE220579	1	93-5	RE223409	1	54-29	RE226728	2	71-7
RE220604	29	52-5	RE223409	1	55-61	RE227588	6	70-21
RE220721	17	71-7	RE223460	9	70-97	RE227628	1	42-9
RE220721	2	71-13	RE223461	9	70-97	RE227767	13	42-19
RE220740	6	41-9	RE223545	7	70-54	RE227767	8	42-24
RE220821	3	41-9	RE223554	3	42-37	RE227767	4	42-65
RE220955	1	71-7	RE223609	15	91-37	RE227767	5	44-9
RE220955	22	71-7	RE223627	7	20-57	RE227783	6	52-29
RE220955	25	71-7	RE223627	1	25-3	RE227953	2	42-55
RE220955	27	71-7	RE223627	8	52-3	RE227953	1	42-61
RE221133	23	71-7	RE223630	4	60-55	RE228002	28	90-17
RE221133	11	71-9	RE223670	10	80-31	RE228002	2B	90-25
RE221133	13	71-13	RE223670	13	80-35	RE228010	11	55-25
RE221284	1	71-5	RE223670	3	80-37	RE228034	8	70-13
RE221356	33	42-29	RE223851	9	90-7	RE228034	45	70-19
RE221395	9	44-3	RE223853	4	90-7	RE228034	2	70-23
RE221495	2	42-57	RE223879	11	42-43	RE228095	2	42-21
RE221495	8	91-17	RE224017	14	60-61	RE228095	9	92-5
RE221541	3	91-11	RE224090	2	60-1	RE228128	22	52-3
RE221542	2	91-11	RE224093	7	92-3	RE228174	14	91-3
RE221543	1	91-11	RE224093	25	92-9	RE228324	6	91-13
RE221623	4	60-75	RE224093	22	92-11	RE228330	34	60-31
RE221624	3	60-73	RE224095	6	92-3	RE228541	3	42-72
RE221625	2	60-73	RE224097	4	92-3	RE228688	10	91-30
RE221694	1	53-11	RE224099	17	92-5	RE228688	6	91-31
RE221797	2	41-10	RE224221	6	91-23	RE228688	1	91-33
RE221798	3	41-10	RE224262	14	80-27	RE228737	12	41-5
RE221809	2	55-56	RE224262	14	80-29	RE228851	11	55-9
RE221809	2	55-57	RE224298	6	41-13	RE228852	11	55-9
RE221809	2	60-10	RE224315	12	70-87	RE228861	1	55-9
RE221809	2	60-11	RE224394	1	72-3	RE228877	1	55-9
RE221809	2	60-12	RE224569	2	70-11	RE229062	19	71-1
RE221809	2	60-13	RE224745	19	60-61	RE229062	5	71-9
RE221820	1	60-77	RE224846	24	92-11	RE229064	21	71-1
RE221851	1	60-50	RE224848	35	92-9	RE229111	1	44-7
RE221864	3	80-17	RE225254	1	92-1	RE229111	1	44-8
RE221864	3	80-19	RE225254	1	92-11	RE229115	1	44-6
RE222026	11	20-21	RE225255	1	42-21	RE229124	9	44-8
RE222034	18	60-39	RE225255	22	92-11	RE229756	10	42-63
RE222035	19	60-39	RE225256	10	92-11	RE229800	10A	60-9
RE222149	11A	93-4	RE225257	2	42-21	RE229837	11A	93-4
RE222151	11B	93-4	RE225257	1	92-1	RE229860	3	80-58
RE222163	9	70-49	RE225257	9	92-5	RE229861	11	80-58
RE222288	14	25-11	RE225257	1	92-11	RE229987	18	52-19
RE222327	20	25-11	RE225258	1	92-1	RE230231	31	25-5
RE222328	8	25-9	RE225260	1	92-1	RE230241	15	25-5
RE222352	10	80-27	RE225343	6	44-8	RE230241	16	25-5
RE222352	10	80-29	RE225449	8	70-95	RE230492	3	41-18
RE222353	10	80-27	RE225460	20	52-23	RE230665	30	25-5
RE222353	10	80-29	RE225573	10	42-45	RE230953	12A	70-61
RE222646	16	91-21	RE225627	7	53-9	RE231018	3	80-23
RE222718	3	70-109	RE225712	2	41-11	RE231064	24	52-31
RE222721	5	70-109	RE225715	23	92-11	RE231103	1	70-11
RE222869	5	42-11	RE225716	34	92-9	RE231325	3	41-5
RE222972	15	70-85	RE225759	18	51-29	RE231325	1	42-9
RE222978	27	25-11	RE225759	32	51-31	RE231391	5	53-27
RE222984	1	70-31	RE225759	36	51-31	RE231519	1	60-43
RE222997	20	44-15	RE225851	28	52-23	RE231522	6	60-15
RE223007	37	25-11	RE226140	12	70-21	RE231522	2	60-43
RE223380	9	93-3	RE226156	1	93-6	RE231522	12	60-47
RE223399	1	42-72	RE226359	12	53-11	RE231703	38	60-55
RE223406	1	54-29	RE226673	7	55-59	RE231706	19	71-17
RE223406	1	55-61	RE226674	1	55-59	RE231707	20	52-7
RE223407	1	54-29	RE226675	8	55-59	RE231720	1	42-8
RE223407	1	55-61	RE226678	2	55-59	RE231724	1	42-11
RE223408	1	54-29	RE226678	11A	93-4	RE231726	1	42-11

## NUMERICAL INDEX - CONTINUED

PART NO	KEY	PAGE	PART NO	KEY	PAGE	PART NO	KEY	PAGE
RE231948	4	43-1	RE234681	32	52-21	RE239147	15	91-17
RE232241	1	91-41	RE234685	28	52-21	RE239150	20	71-1
RE232317	15	52-19	RE234764	3	44-2	RE239150	12	71-9
RE232327	1	70-26	RE234778	13	92-19	RE239241	5	41-13
RE232327	1	70-27	RE234792	1	92-3	RE239595	4	92-3
RE232328	5	70-26	RE234793	1	92-3	RE239622	10	42-19
RE232328	5	70-27	RE234800	13	92-5	RE239930	20	42-67
RE232428	1	70-40	RE234803	16	92-3	RE239997	1	42-21
RE232428	7	70-43	RE235013	6	52-13	RE239997	25	92-9
RE232429	1	70-40	RE23513	4	53-19	RE240027	1	93-7
RE232429	1	70-41	RE23513	4	53-21	RE240198	12	42-33
RE232429	7	70-44	RE235210	21	71-9	RE240620	15	92-3
RE232483	7	25-17	RE235441	14	91-41	RE240923	12A	55-13
RE232483	10	25-17	RE235442	9	91-41	RE240999	6	42-75
RE232483	11	60-69	RE235448	7	42-70	RE241165	20	55-43
RE232483	13	60-69	RE235470	30	52-21	RE241165	23	55-45
RE232550	4	42-72	RE235476	2	52-27	RE241176	19	25-5
RE232603	10	41-5	RE235706	12	70-28	RE241176	1	35-13
RE232603	10	70-37	RE235907	5	91-47	RE241359	25	71-9
RE232690	2	71-1	RE235950	10	70-26	RE241366	28	91-23
RE232690	2	71-9	RE235950	10	70-27	RE241623	1	60-3
RE232705	44	70-17	RE236245	2	91-23	RE241784	19	92-9
RE232705	6	71-20	RE236296	5	41-12	RE241784	20	92-9
RE232914	3	52-17	RE236296	12	60-61	RE241785	1	55-35
RE232957	1	71-20	RE236315	1	44-2	RE241868	3	42-24
RE233007	15	70-17	RE236666	..	54-29	RE241868	14	91-49
RE233163	7	71-7	RE236667	..	55-61	RE241923	1	60-73
RE233163	4	71-13	RE236669	..	54-29	RE241942	16	60-67
RE233218	7	90-7	RE236670	..	55-61	RE241943	17	60-67
RE233221	11	90-7	RE236713	8	42-25	RE241944	2	60-57
RE233383	6	92-5	RE236715	10	42-49	RE241944	2	60-65
RE233383	..	92-5	RE236741	16	52-9	RE241945	9	60-50
RE233558	16	42-49	RE236819	11	42-37	RE241945	1	60-63
RE233677	51	71-7	RE236874	14	70-3	RE241946	4	60-57
RE233677	30	71-13	RE236921	32	52-9	RE241946	1	60-65
RE233678	2	71-2	RE236999	22	71-13	RE241947	4	60-57
RE233679	1	71-2	RE236999	23	71-13	RE241947	3	60-63
RE233783	5	92-15	RE236999	31	71-13	RE241957	1	35-3
RE233783	7	92-15	RE237001	13	71-7	RE241958	1	35-3
RE23382	14	70-11	RE237001	31	71-7	RE241989	1	80-47
RE234015	22	55-9	RE237001	45	71-7	RE242252	18	25-5
RE234016	34	52-7	RE237001	6	71-9	RE242255	20	25-5
RE234018	12	42-19	RE237001	7	71-9	RE242256	12	25-5
RE234095	1	80-49	RE237001	8	71-9	RE242336	10	35-3
RE234095	3	80-49	RE237001	9	71-9	RE242367	7	91-3
RE234096	2	80-49	RE237160	14	60-55	RE242464	1	70-65
RE234096	3	80-49	RE237161	1	71-17	RE242492	1	35-15
RE234097	..	80-53	RE237161	24	71-17	RE242517	40	70-19
RE234097	23	80-55	RE237285	20	71-17	RE242518	1	70-23
RE234097	..	80-55	RE237356	10	90-10	RE242519	51	70-19
RE234097	..	80-57	RE237390	1	51-25	RE242523	9	70-23
RE234138	1	70-99	RE237390	2	51-39	RE242524	8	70-23
RE234151	4	42-55	RE237390	2	51-41	RE242525	21	70-19
RE234151	7	42-61	RE237437	16	70-87	RE242550	11	44-13
RE234153	14	42-61	RE237675	14	42-3	RE242591	1B	55-56
RE234165	8	91-35	RE237675	14	42-5	RE242591	1B	60-13
RE234166	13	91-33	RE237675	17	42-7	RE242592	1B	55-57
RE234176	32	25-11	RE237675	1	90-11	RE242592	1D	60-13
RE234176	34	25-11	RE238231	4	42-65	RE242786	18	70-65
RE234193	2	35-15	RE238507	9	25-11	RE242787	18	70-65
RE234354	3	44-2	RE238579	1	71-15	RE242918	48	25-5
RE234530	2	70-39	RE238864	12	51-21	RE242918	6	90-7
RE234530	21	70-39	RE238990	19	55-59	RE242919	3	90-7
RE234561	9	35-15	RE239058	7	53-5	RE242941	37	52-5
RE234561	13	35-15	RE239058	7	53-7	RE242986	6	25-11
RE234568	1	44-13	RE239078	2	42-39	RE242987	31	25-11
RE234604	6	44-13	RE239083	15	35-3	RE243199	10	25-17

NUMERICAL INDEX - CONTINUED

PART NO.	KEY	PAGE	PART NO.	KEY	PAGE	PART NO.	KEY	PAGE
RE243199	11	60-69	RE244371	29	70-49	RE246378	1	60-20
RE243228	1	70-11	RE244397	6	52-3	RE246378	1	60-21
RE243241	1	41-11	RE244397	22	52-9	RE246379	1	60-18
RE243242	1	41-11	RE244457	20	92-17	RE246379	1	60-19
RE243278	5	25-9	RE244461	1	90-7	RE246379	1	60-20
RE243298	1	70-40	RE244462	3	60-47	RE246379	1	60-21
RE243298	1	70-41	RE244463	30	60-55	RE246423	5	92-7
RE243298	7	70-45	RE244485	7	60-65	RE246423	5	92-11
RE243350	11	60-61	RE244488	16	60-63	RE246424	23	92-9
RE243409	23	53-11	RE244490	12	60-63	RE246424	18	92-11
RE243410	3	60-67	RE244491	21	60-63	RE246424	9	92-13
RE243412	2	60-67	RE244514	31	60-55	RE246425	9	42-2
RE243481	30	52-21	RE244514	3	70-21	RE246544	2	42-57
RE243485	2	25-6	RE244515	30	52-3	RE246544	8	92-17
RE243505	2	90-19	RE244601	8	60-57	RE246597	35	52-3
RE243506	14	90-19	RE244603	5	60-57	RE246598	18	52-5
RE243507	7	90-19	RE244659	30	90-17	RE246599	18	52-5
RE243508	15	90-19	RE244829	1	70-7	RE246599	1	55-3
RE243512	8	35-13	RE244890	3	55-7	RE246599	6	55-3
RE243514	12	35-13	RE244891	5	51-29	RE246599	8	55-3
RE243516	3	55-59	RE244933	1	91-23	RE246601	11	52-7
RE243516	15	55-59	RE245189	1	42-45	RE246605	11	52-7
RE243516	2	60-25	RE245190	1	42-45	RE246613	5	52-29
RE243516	20	60-25	RE245203	3	60-57	RE246614	10	52-7
RE243516	20	60-27	RE245257	5	41-5	RE246617	10	52-7
RE243519	15	55-59	RE245257	1	42-13	RE246618	3	52-7
RE243519	20	60-25	RE245262	5	41-5	RE246760	31	52-9
RE243519	1	93-4	RE245262	1	42-13	RE246866	2	70-31
RE243523	20	70-17	RE245374	36	91-17	RE246902	6	52-19
RE243523	33	70-19	RE245374	4	91-50	RE246911	4	52-19
RE243524	23	70-17	RE245399	8	91-27	RE246912	3	52-19
RE243524	38	70-19	RE245420	1	53-11	RE247124	19	52-31
RE243525	22	70-17	RE245421	1	53-11	RE247125	22	52-27
RE243528	7	25-3	RE245422	2	54-29	RE247416	18	52-9
RE243530	1	51-47	RE245422	2	55-61	RE247417	10	52-11
RE243530	1	51-49	RE245423	2	54-29	RE247674	22	52-17
RE243530	6	71-18	RE245423	2	55-61	RE247675	11	52-11
RE243531	8	70-28	RE245557	15	42-35	RE247676	21	52-11
RE243532	8	60-45	RE245592	15	72-5	RE247775	5	42-63
RE243534	2	55-55	RE245593	21	72-5	RE247791	9	42-61
RE243535	8	25-3	RE245594	20	72-5	RE247791	11	42-61
RE243537	1	51-47	RE245596	18	72-5	RE247791	15	42-61
RE243537	1	51-49	RE245714	40	70-11	RE247791	1	42-63
RE243537	1	70-28	RE245714	42	70-17	RE247791	3	42-63
RE243538	2	70-28	RE245719	15	55-27	RE247791	23	42-63
RE243539	4	70-28	RE245720	12	55-23	RE247827	5	41-5
RE243541	3	55-5	RE245721	11	55-25	RE247827	1	42-13
RE243541	35	70-17	RE245721	5	55-27	RE247841	1	60-16
RE243541	20	70-19	RE245807	25	70-49	RE247841	15	60-17
RE243543	1	55-5	RE245908	14	70-30	RE248257	2	70-109
RE243543	37	70-17	RE245993	10	70-30	RE248312	2	70-107
RE243543	7	70-19	RE246024	2	70-33	RE248312	2	70-111
RE243548	11	35-9	RE246025	3	70-33	RE248312	15	71-17
RE243565	10	80-53	RE246040	12	93-9	RE248633	7	80-66
RE243660	13	60-61	RE246041	1	41-7	RE248633	2	90-22
RE243742	27	51-33	RE246116	21	60-27	RE248878	8	60-57
RE243884	1	80-55	RE246117	19	60-27	RE248879	5	60-57
RE243913	2	43-5	RE24619	6	35-16	RE248880	8	60-50
RE243914	1	43-5	RE24619	2	90-10	RE248991	6	80-58
RE243948	34	53-11	RE246229	12	70-25	RE248995	40	91-17
RE243951	33	53-11	RE246230	15	70-25	RE249013	1	70-11
RE244303	17	92-3	RE246231	7	70-25	RE249206	1	41-11
RE244303	7	92-20	RE246232	1	70-25	RE249465	10	91-30
RE244313	28	90-15	RE246256	1	80-46	RE249465	6	91-31
RE244317	38	90-15	RE246268	16	52-9	RE249465	1	91-33
RE244318	5	90-15	RE246378	1	60-18	RE249465	2	91-35
RE244365	2	70-49	RE246378	1	60-19	RE249767	12	53-11

## NUMERICAL INDEX - CONTINUED

PART NO	KEY	PAGE	PART NO	KEY	PAGE	PART NO	KEY	PAGE
RE249767	42	53-11	RE251590	10	80-29	RE256371	7B	90-22
RE249904	17	72-5	RE251605	1	42-8	RE256911	12	70-21
RE249910	1	72-5	RE251687	15	25-5	RE257163	1	90-7
RE249964	15	90-21	RE252087	24	42-63	RE257585	23	92-3
RE249965	7	90-21	RE252092	5	42-63	RE257800	18	70-65
RE249966	14	90-21	RE252117	10	80-53	RE257801	18	70-65
RE249968	2	90-21	RE252145	37	91-17	RE257803	1	55-9
RE249969	11	90-7	RE252354	20	52-21	RE257890	1B	55-56
RE249970	3	90-7	RE252354	18	52-31	RE257890	1B	60-13
RE249971	1	90-7	RE252625	9	90-7	RE257891	1B	55-57
RE250241	28	52-21	RE252690	12	53-11	RE257891	1D	60-13
RE250304	24	42-63	RE252690	43	53-11	RE258090	1B	60-10
RE250371	7	91-3	RE252768	19	53-5	RE258123	19	70-17
RE250448	1	70-11	RE252768	19	53-7	RE258141	4	71-18
RE250448	2	70-11	RE252821	25	42-63	RE258141	4	71-19
RE250449	1	70-11	RE252835	10	42-63	RE258212	1	55-19
RE250494	7	52-31	RE252945	7	70-7	RE258212	25	55-45
RE250535	3	55-23	RE252947	15	70-15	RE258467	1	70-7
RE250535	4	55-27	RE252952	1	70-15	RE258468	1	70-7
RE250611	1	60-15	RE252959	1	53-11	RE258526	15	42-35
RE250611	15	60-55	RE253175	15	70-17	RE258646	4	55-19
RE250612	37	60-55	RE253175	25	70-19	RE258807	13	44-6
RE250613	21	60-55	RE253477	1B	60-11	RE258807	13	44-7
RE250831	1	70-7	RE253477	1B	60-12	RE258928	11	42-37
RE250838	17	54-19	RE253479	1D	60-11	RE259002	22	60-15
RE250838	17	54-21	RE253479	1D	60-12	RE259040	16	71-9
RE250900	22	92-9	RE253625	16	42-43	RE259086	20	55-43
RE250900	20	92-11	RE253997	1	43-6	RE259120	20	55-43
RE250900	12	92-12	RE254021	39	60-55	RE259120	23	55-43
RE250901	17	92-9	RE254023	1	53-22	RE259251	16	93-12
RE250901	39	92-9	RE254052	16	70-25	RE259417	14	91-3
RE250902	3	92-12	RE254365	6	70-33	RE259551	3	71-2
RE250903	4	92-12	RE254366	12	70-21	RE259885	10B	60-9
RE250943	9	42-3	RE254367	4	60-47	RE259944	14	60-15
RE250943	9	42-5	RE254368	3	60-47	RE259945	13	60-15
RE250943	20	44-15	RE254369	3	60-47	RE259946	18	60-15
RE250944	8	42-7	RE254428	8	41-11	RE260555	1	90-7
RE250945	9	42-3	RE254460	11	42-37	RE260556	3	90-7
RE250945	9	42-5	RE254499	3	20-25	RE260559	5	55-19
RE250946	8	42-7	RE254623	1	60-47	RE260559	6	55-19
RE250948	1	42-15	RE254624	2	60-47	RE260560	20	70-45
RE250954	1	41-7	RE254625	38	70-17	RE28429	29	52-7
RE250957	1	41-3	RE254625	6	70-19	RE32442	19	52-17
RE250958	13	41-5	RE254626	1	60-47	RE32442	27	52-23
RE250958	1	41-7	RE254818	41	91-17	RE33636	12	35-17
RE250958	3	41-12	RE254953	22	91-37	RE33778	10	42-7
RE250958	8	42-19	RE255231	7	80-66	RE35704	1	42-3
RE250958	1	93-11	RE255231	2	90-22	RE35704	1	42-5
RE250959	13	41-5	RE255374	15	70-19	RE35704	1	42-7
RE250959	1	41-7	RE255375	4	70-19	RE37640	3	42-24
RE250959	3	41-12	RE255699	10	92-7	RE37640	14	91-49
RE250959	8	42-19	RE255699	38	92-9	RE38725	29	53-27
RE250959	1	93-11	RE255699	25	92-11	RE39719	2	60-7
RE250961	5	42-11	RE255767	17	91-7	RE40413	4	52-17
RE250962	12	93-9	RE255802	14	70-30	RE41949	15	40-5
RE250963	13	44-4	RE255894	15	91-17	RE42193	14	40-5
RE250964	8	44-6	RE255988	7	42-3	RE42567	17	25-17
RE250964	8	44-7	RE255988	7	42-5	RE42567	4	55-47
RE251317	1	91-41	RE255988	6	42-7	RE43059	4	54-23
RE251325	13	70-19	RE255988	1	44-10	RE43059	4	54-25
RE251325	14	70-25	RE255988	1	44-12	RE43497	12	42-29
RE251338	1	70-13	RE256016	1	42-27	RE43526	3	42-27
RE251386	9	44-3	RE256144	11	91-13	RE43526	5	92-3
RE251404	1	91-42	RE256146	11	91-13	RE43593	9	25-9
RE251589	10	80-27	RE256148	11	91-13	RE43637	2	42-17
RE251589	10	80-29	RE256148	14	91-13	RE43737	1	40-9
RE251590	10	80-27	RE256148	7	94-16	RE43738	12	41-5

## NUMERICAL INDEX - CONTINUED

PART NO.	KEY	PAGE	PART NO.	KEY	PAGE	PART NO.	KEY	PAGE
RE44590	2	42-68	RE48955	11	42-3	RE519144	29	25-11
RE44871	1	53-30	RE48955	11	42-5	RE519144	11	41-5
RE45388	13	51-19	RE49091	21	71-5	RE519144	16	41-5
RE45388	14	51-21	RE49091	21	71-17	RE519144	19	57-39
RE45393	21	51-35	RE49242	2	41-23	RE519144	19	57-41
RE45393	21	51-37	RE49315	4	54-3	RE519144	16	52-5
RE45393	16	55-7	RE49315	4	54-5	RE519144	5	52-7
RE46534	16	42-3	RE49624	1	72-9	RE519144	11	53-3
RE46534	16	42-5	RE49636	7	90-15	RE519144	14	55-3
RE46534	19	42-7	RE49724	2	40-9	RE519144	18	55-9
RE46534	4	42-17	RE49727	21	42-29	RE519513	2	20-52
RE46534	5	51-11	RE49778	3	44-9	RE519597	18	20-7
RE46587	16	91-35	RE49778	5	44-18	RE519597	18	20-9
RE46609	2	90-1	RE500209	1	20-40	RE519597	18	20-11
RE46634	11	42-29	RE500209	1	20-41	RE519597	18	20-13
RE46684	20	20-35	RE500576	5	20-37	RE519597	18	20-15
RE46684	14	51-5	RE500576	26	20-63	RE519597	18	20-17
RE46684	26	51-7	RE500576	26	20-65	RE519802	7	20-51
RE46684	17	51-9	RE500576	26	20-67	RE519803	5	20-51
RE46684	8	51-11	RE500576	26	20-69	RE519810	11	20-51
RE46684	25	51-11	RE500576	26	20-71	RE519889	3	20-45
RE46684	30	51-19	RE500576	26	20-73	RE520030	24	20-7
RE46684	15	52-3	RE501734	7	20-43	RE520030	24	20-9
RE46684	9	52-9	RE502569	2	20-29	RE520030	25	20-11
RE46684	13	52-25	RE503590	29	20-35	RE520030	24	20-13
RE46684	2	53-3	RE505743	4	20-59	RE520030	24	20-15
RE46684	1	55-13	RE506624	9	20-7	RE520030	25	20-17
RE46684	2	55-43	RE506624	9	20-9	RE520032	10	20-7
RE46684	2	55-45	RE506624	9	20-11	RE520032	10	20-9
RE46684	7	55-47	RE506624	9	20-13	RE520032	10	20-11
RE46684	9	55-48	RE506624	9	20-15	RE520032	10	20-13
RE46684	4	70-11	RE506624	9	20-17	RE520032	10	20-15
RE46684	1	70-21	RE50747	16	53-5	RE520032	10	20-17
RE46684	10	71-1	RE50747	16	53-7	RE520044	31	20-35
RE46684	13	71-9	RE50803	3	54-7	RE520142	9	20-55
RE46685	5	20-57	RE50803	3	54-9	RE520442	2	20-19
RE46685	27	51-11	RE50803	5	54-11	RE520465	5	20-3
RE46685	10	70-11	RE50803	5	54-13	RE520538	6	20-59
RE46687	10	20-57	RE509463	3	20-28	RE520585	14	20-21
RE46687	1	70-49	RE50957	4	53-15	RE520585	14	20-23
RE46687	9	71-1	RE509672	4	20-59	RE520585	2	20-25
RE46687	2	71-11	RE509672	4	35-16	RE52087	14	35-9
RE46688	1	55-43	RE51052	1	90-1	RE520906	19	20-35
RE46688	3	55-43	RE51052	2	90-1	RE520906	27	20-35
RE46688	1	55-45	RE51234	1	42-51	RE520906	5	35-16
RE46688	3	55-45	RE51267	2	42-70	RE520953	4	41-5
RE46688	9	55-47	RE515636	12	20-7	RE520953	1	42-12
RE46734	3	40-9	RE515636	12	20-9	RE521060	1	20-4
RE46734	2	42-15	RE515636	12	20-11	RE521599	11	20-7
RE46735	4	40-9	RE515636	12	20-13	RE521599	11	20-9
RE46735	7	42-27	RE515636	12	20-15	RE521599	11	20-11
RE46736	5	40-9	RE515636	12	20-17	RE521599	11	20-13
RE46736	7	42-31	RE51573	11	51-11	RE521599	11	20-15
RE46742	14	42-29	RE51573	17	60-43	RE521599	11	20-17
RE47095	5	42-68	RE515781	24	20-59	RE521635	35	20-7
RE47392	19	51-7	RE516171	12	20-59	RE521635	35	20-9
RE47959	24	51-33	RE516336	19	20-7	RE521635	36	20-11
RE48234	10	42-7	RE516336	19	20-9	RE521635	35	20-13
RE48234	3	60-49	RE516336	19	20-11	RE521635	35	20-15
RE48310	11	35-11	RE516336	19	20-13	RE521635	36	20-17
RE48321	16	35-11	RE516336	19	20-15	RE522294	21	20-77
RE48419	2	20-37	RE516336	19	20-17	RE522295	18	20-77
RE48419	2	20-39	RE517370	6	20-75	RE522304	6	20-37
RE48838	1	42-68	RE517370	12	53-3	RE52242	13	52-9
RE48875	1	42-19	RE517435	10	20-55	RE52242	31	52-9
RE48954	6	42-3	RE517436	3	20-49	RE52242	6	52-25
RE48954	6	42-5	RE519144	13	20-45	RE522519	13	20-77



NUMERICAL INDEX - CONTINUED

PART NO	KEY	PAGE	PART NO	KEY	PAGE	PART NO	KEY	PAGE
RE522520	27	20-77	RE524399	15	20-7	RE525517	7	20-13
RE522628	2	20-5	RE524399	15	20-9	RE525517	7	20-15
RE522672	1	20-7	RE524399	15	20-11	RE525517	7	20-17
RE522672	1	20-9	RE524399	15	20-13	RE525518	8	20-7
RE522672	1	20-11	RE524399	15	20-15	RE525518	8	20-9
RE522672	1	20-13	RE524399	15	20-17	RE525518	8	20-11
RE522672	1	20-15	RE524528	20	20-7	RE525518	8	20-13
RE522672	1	20-17	RE524528	20	20-9	RE525518	8	20-15
RE522723	6	20-19	RE524528	21	20-11	RE525518	8	20-17
RE522780	15	20-63	RE524528	20	20-13	RE525519	41	20-7
RE522780	21	20-65	RE524528	20	20-15	RE525519	41	20-9
RE522780	21	20-67	RE524528	21	20-17	RE525519	43	20-11
RE522780	15	20-69	RE524529	13	20-7	RE525519	41	20-13
RE522780	21	20-71	RE524529	13	20-9	RE525519	41	20-15
RE522780	21	20-73	RE524529	13	20-11	RE525519	43	20-17
RE522794	15	20-35	RE524529	13	20-13	RE525523	19	20-35
RE522804	24	20-63	RE524529	13	20-15	RE525523	27	20-35
RE522804	9	20-65	RE524529	13	20-17	RE525899	2	20-27
RE522804	9	20-67	RE52454	2	90-1	RE52633	13	42-7
RE522804	24	20-69	RE524675	1	25-13	RE52633	1	42-71
RE522804	9	20-71	RE524676	1	25-13	RE526400	13	20-63
RE522804	9	20-73	RE524730	43	20-7	RE526400	18	20-65
RE522804	16	20-59	RE524730	43	20-9	RE526400	18	20-67
RE522823	7	20-19	RE524730	45	20-11	RE526400	13	20-69
RE522823	9	20-43	RE524730	43	20-13	RE526400	18	20-71
RE522824	25	20-77	RE524730	43	20-15	RE526400	18	20-73
RE522991	2	20-45	RE524730	45	20-17	RE526400	6	20-77
RE523236	19	20-35	RE524730	6	41-7	RE52645	2	41-7
RE523236	27	20-35	RE524730	11	35-3	RE52660	16	91-17
RE523236	3	35-16	RE525016	14	35-15	RE52703	4	35-3
RE523346	9	20-35	RE52504	1	90-4	RE52722	9	41-5
RE523527	3	20-2	RE52506	1	90-1	RE527756	42	20-7
RE523680	2	20-55	RE52507	2	90-1	RE527756	42	20-9
RE523787	19	20-35	RE52507	1	90-3	RE527756	44	20-11
RE523787	27	20-35	RE52508	2	90-1	RE527756	42	20-13
RE523811	14	20-7	RE52508	3	90-4	RE527756	42	20-15
RE523811	14	20-9	RE52509	2	90-1	RE527756	42	20-17
RE523811	14	20-11	RE52509	1	90-2	RE527756	44	20-17
RE523811	14	20-13	RE52510	2	90-1	RE528219	10	20-63
RE523811	14	20-15	RE52510	2	90-4	RE528219	3	20-65
RE523811	14	20-17	RE525509	8	20-35	RE528219	3	20-67
RE523822	11	20-63	RE525513	3	20-7	RE528219	10	20-69
RE523822	2	20-65	RE525513	3	20-9	RE528219	3	20-71
RE523822	2	20-67	RE525513	3	20-11	RE528219	3	20-73
RE523822	11	20-69	RE525513	3	20-13	RE528297	26	20-77
RE523822	2	20-71	RE525513	3	20-15	RE528349	12	20-55
RE523822	2	20-73	RE525513	3	20-17	RE528408	33	20-9
RE523828	1	20-28	RE525514	4	20-7	RE528409	33	20-7
RE524007	11	20-59	RE525514	4	20-9	RE528652	1	20-30
RE524055	23	20-63	RE525514	4	20-11	RE528652	6	20-39
RE524055	13	20-65	RE525514	4	20-13	RE528864	17	20-35
RE524055	13	20-67	RE525514	4	20-15	RE528865	10	20-35
RE524055	23	20-69	RE525514	4	20-17	RE528990	23	20-35
RE524055	13	20-71	RE525515	5	20-7	RE528991	22	20-35
RE524055	13	20-73	RE525515	5	20-9	RE528991	5	20-55
RE524196	20	20-63	RE525515	5	20-11	RE529187	2	20-49
RE524196	14	20-65	RE525515	5	20-13	RE529318	7	20-46
RE524196	14	20-67	RE525515	5	20-15	RE529319	7	20-46
RE524196	20	20-69	RE525515	5	20-17	RE529320	8	20-46
RE524196	14	20-71	RE525516	6	20-7	RE529511	2	20-43
RE524196	14	20-73	RE525516	6	20-9	RE529632	4	20-57
RE524231	6	20-63	RE525516	6	20-11	RE529661	1	20-33
RE524231	5	20-65	RE525516	6	20-13	RE529871	4	20-1
RE524231	5	20-67	RE525516	6	20-15	RE529970	2	20-29
RE524231	6	20-69	RE525516	6	20-17	RE529970	4	20-39
RE524231	5	20-71	RE525517	7	20-7	RE529972	3	20-1
RE524231	5	20-73	RE525517	7	20-9	RE529977	4	20-63
			RE525517	7	20-11	RE529977	4	20-69
						RE529978	1	20-65

## NUMERICAL INDEX - CONTINUED

PART NO	KEY	PAGE	PART NO	KEY	PAGE	PART NO	KEY	PAGE
RE529978	1	20-67	RE61546	6	42-61	RE67457	40	51-37
RE529978	1	20-71	RE61576	3	60-27	RE67458	11	51-25
RE529978	1	20-73	RE61578	4	60-27	RE67458	23	51-25
RE530046	8	20-63	RE61651	11	42-61	RE67458	35	51-25
RE530046	7	20-65	RE61651	3	42-63	RE67458	16	51-27
RE530046	7	20-67	RE61717	10	42-31	RE67458	28	51-27
RE530046	8	20-69	RE61745	2	60-27	RE67458	17	51-35
RE530046	7	20-71	RE61746	1	60-27	RE67458	17	51-37
RE530046	7	20-73	RE61760	9	41-15	RE67458	12	55-7
RE53046	1	80-3	RE61791	2	70-107	RE67459	6	91-49
RE530609	11	20-55	RE61791	2	70-111	RE67820	7	42-59
RE530668	1	20-46	RE61791	15	71-17	RE67821	5	42-24
RE531072	22	20-45	RE62066	2	70-3	RE67821	15	91-49
RE531077	1	20-49	RE62204	1	80-7	RE67829	6	35-16
RE531150	10	20-45	RE62204	1	80-9	RE67949	10	51-29
RE53282	2	35-9	RE62205	1	80-3	RE67949	26	51-29
RE54029	16	70-37	RE62205	1	80-5	RE67949	44	51-31
RE54603	2	60-69	RE62901	2	91-3	RE67963	1	60-35
RE54603	5	60-73	RE62967		70-39	RE68259	4	60-65
RE55036	6	42-29	RE62981	15	54-11	RE68290	16	42-33
RE55367	5	91-11	RE62981	15	54-13	RE68293	3	53-25
RE55476	2	42-29	RE63194	2	25-7	RE68295	11	70-39
RE55476	4	91-27	RE63209	6	70-97	RE68327	4	42-25
RE55477	4	42-29	RE63210	7	70-97	RE68327	37	92-9
RE55516	14	41-5	RE63376	15	41-23	RE68495	6	42-26
RE55891	1	41-15	RE63545	26	70-113	RE69149	7	91-49
RE56098	7	70-30	RE63687	12	42-35	RE69150	1	91-49
RE56403	21	20-45	RE63751	22	51-13	RE69581	1	20-30
RE57190	8	20-39	RE63826	20	70-113	RE69704	7	43-3
RE57190	9	20-57	RE63981	11	42-7	RE69802	22	53-5
RE57594	12	60-5	RE64004	1	53-13	RE69802	22	53-7
RE57604	7	20-3	RE64748	3	53-9	RE70019	4	42-59
RE57836	5	20-45	RE64806	13	53-13	RE70088	5	51-25
RE57892	13	42-3	RE64874	2	91-49	RE70389	3	51-21
RE57892	13	42-5	RE65233	1	60-39	RE70486	12	43-3
RE57892	16	42-7	RE65319	21	91-23	RE70487	10	43-3
RE57892	2	42-69	RE65330	29	60-27	RE70756	6	43-3
RE58382	10	60-69	RE65502	1	90-22	RE70756	7	43-3
RE58382	4	60-73	RE65591	15	54-19	RE70776	9	80-15
RE58495	1	80-13	RE65591	15	54-21	RE70777	9	80-15
RE58605	13	80-11	RE65592	16	54-19	RE70784	9	80-15
RE58606	13	80-11	RE65592	16	54-21	RE70785	9	80-15
RE58614	34	42-29	RE65592	5	55-29	RE70957	7	43-3
RE58614	29	90-15	RE65610	26	25-11	RE71181	14	51-7
RE58693	3	80-13	RE65621	18	54-19	RE71181	13	51-9
RE58763	15	71-5	RE65621	18	54-21	RE71181	8	54-11
RE58827	7	41-16	RE65694	22	92-9	RE71181	8	54-13
RE60071	3	20-43	RE65694	20	92-11	RE71246	4	42-7
RE60071	22	20-77	RE65814	5	90-17	RE71246	7	44-19
RE60349	21	70-49	RE65856	1	25-7	RE71255	12	20-45
RE60467	3	53-29	RE66277	15	42-3	RE71255	1	20-56
RE60531	7	60-29	RE66277	15	42-5	RE71255	14	55-39
RE60531	20	60-31	RE66277	18	42-7	RE71256		43-3
RE60634	2	42-20	RE66277	1	42-52	RE71267	7	91-41
RE60659	7	42-41	RE66534	5	35-3	RE71267	10	91-41
RE60659	9	42-43	RE66712	8	60-29	RE71323	46	51-25
RE60701	50	53-11	RE67013	1	42-26	RE71323	4	51-39
RE60701	11	70-21	RE67014	3	42-26	RE71323	4	51-41
RE60861	2	53-30	RE67014	8	91-14	RE71370	15	80-11
RE60862	3	53-30	RE67015	2	42-26	RE71396	4	53-9
RE61052	7	70-93	RE67016	2	42-26	RE71437	9	54-19
RE61274	21	51-11	RE67019	5	42-26	RE71437	9	54-21
RE61319	17	71-17	RE67207	16	90-9	R100357	10	55-29
RE61403	7	42-25	RE67285	5	42-7	R100410	1	94-11
RE61404	2	41-16	RE67285	2	44-19	R100412	1	94-13
RE61418	9	42-29	RE67457	14	51-29	R100569	13	20-21
RE61545	6	42-61	RE67457	30	51-29	R100569	13	20-23

NUMERICAL INDEX - CONTINUED

PART NO.	KEY	PAGE	PART NO.	KEY	PAGE	PART NO.	KEY	PAGE
R100569	15	20-25	R107598	4	60-5	R108526	7	55-7
R100569	12	20-27	R107657	8	70-39	R108528	23	51-29
R100774	11	54-15	R107718	13	54-3	R108530	6	53-5
R100774	11	54-17	R107718	12	54-5	R108530	6	53-7
R104570	10	40-8	R107719	7	54-7	R108531	4	51-33
R104571	13	40-8	R107719	7	54-9	R108533	13	51-35
R104572	11	40-8	R107755	10	70-49	R108533	13	51-37
R104587	2	20-46	R107859	50	71-7	R108533	8	55-7
R104700	14	40-5	R107859	3	71-10	R108546	6	51-29
R104701	1	40-5	R107890	2	42-30	R108546	21	51-29
R104701	13	40-5	R107890	5	42-30	R108546	55	51-31
R104728	3	55-48	R107890	1	42-57	R108547	29	51-7
R104745	3	51-13	R107975	6	70-99	R108547	1	51-16
R104814	13	51-13	R108037	5	60-31	R108547	4	51-23
R104814	32	51-13	R108038	7	60-31	R108547	22	51-23
R104846	11	40-5	R108041	14	60-31	R108547	54	51-31
R104846	3	40-7	R108041	10	60-33	R108551	9	51-5
R104846	6	42-25	R108045	10	60-31	R108562	6	51-7
R104846	3	91-27	R108051	23	60-31	R108569	12	51-39
R104919	8	40-5	R108062	18	60-31	R108569	12	51-41
R104919	6	40-7	R108066	8	60-31	R108576	30	51-7
R104919	3	42-68	R108066	2	60-33	R108576	2	51-15
R104919	11	44-10	R108077	13	91-31	R108582	3	51-17
R104919	15	91-27	R108166	30	42-29	R108582	2	51-21
R104920	4	40-5	R108214	31	51-3	R108583	4	51-17
R104921	6	40-5	R108298	27	53-11	R108583	6	51-21
R104922	5	40-5	R108303	10	70-39	R108584	29	51-25
R104923	3	40-5	R108305	12	70-39	R109147	5	80-25
R104926	2	40-8	R108306	13	70-39	R109419	16	91-17
R104927	3	40-8	R108454	2	51-22	R109481	4	53-13
R104928	4	40-8	R108455	3	51-22	R109483	3	53-13
R104929	5	40-8	R108481	1	51-19	R109486	2	53-13
R104930	7	40-8	R108482	14	51-19	R109487	13	53-13
R104931	8	40-8	R108488	2	51-13	R109489	18	53-13
R104932	6	40-8	R108489	8	51-7	R109808	7	80-3
R104933	13	40-8	R108492	18	51-13	R109822	25	53-11
R104934	12	40-8	R108496	11	25-11	R109822	14	53-13
R104936	16	40-5	R108496	7	51-25	R109823	8	80-25
R104937	16	40-5	R108496	18	51-25	R109823	4	80-31
R104938	16	40-5	R108496	30	51-25	R109823	15	80-37
R105388	..	42-47	R108496	21	51-27	R109982	18	73-17
R105572	1	80-25	R108496	33	51-27	R109982	27	73-19
R105583	49	70-11	R108496	9	51-29	R109982	20	53-13
R105833	11	51-15	R108496	25	51-29	R110303	3	91-17
R106409	20	70-57	R108496	43	51-31	R110408	23	92-19
R106529	13	44-15	R108496	7	51-35	R110680	4	42-33
R106529	29	44-15	R108496	7	51-37	R110682	4	20-37
R106529	8	44-17	R108500	6	51-5	R11086	12	80-25
R106663	21	51-7	R108501	26	51-13	R111009	7	80-25
R106663	25	51-19	R108502	20	51-13	R111009	12	30-37
R106839	2	53-27	R108503	10	51-39	R111010	15	80-25
R106843	3	53-27	R108503	10	51-41	R111010	13	80-31
R107078	4	25-17	R108507	18	51-35	R111010	10	80-37
R107078	3	52-11	R108507	18	51-37	R111103	10	80-25
R107278	9	70-51	R108507	8	53-5	R111103	6	80-31
R107316	4	70-39	R108507	8	53-7	R111103	17	80-37
R107454	4	53-30	R108507	13	55-7	R111104	10	80-25
R107466	2	80-3	R108509	15	51-29	R111104	6	80-31
R107466	5	80-5	R108509	31	51-29	R111104	17	80-37
R107491	6	70-39	R108510	39	51-31	R111238	18	71-13
R107495	7	70-39	R108512	12	51-29	R111238	24	71-13
R107548	13	60-7	R108512	28	51-29	R111238	2	72-9
R107551	1	60-8	R108512	42	51-31	R111288	4	72-9
R107563	3	60-7	R108519	11	51-35	R111292	19	71-7
R107583	13	42-35	R108519	11	51-35	R111292	2	71-13
R107588	2	42-35	R108526	12	51-35	R111292	29	71-13
R107598	5	42-31	R108526	12	51-37	R111308	3	72-9
						R111382	5	44-6

## NUMERICAL INDEX - CONTINUED

PART NO.	KEY	PAGE	PART NO.	KEY	PAGE	PART NO.	KEY	PAGE
R111382	5	44-7	R113229	4	72-10	R115567	26	53-13
R111398	1	80-1	R113229	4	72-11	R115675	7	41-20
R111410	29	53-13	R113246	1	42-35	R115742	..	90-1
R111434	4	80-27	R113246	25	42-35	R115743	2	90-1
R111434	4	80-29	R113329	5	80-3	R115743	4	90-4
R111434	1	80-31	R113500	7	80-23	R115850	3	42-39
R111434	4	80-33	R113500	5	80-37	R115850	3	42-41
R111434	4	80-35	R113500	5	80-39	R115850	1	42-43
R111434	12	80-39	R113500	5	80-41	R115850	5	42-43
R111434	12	80-41	R113692	7	80-31	R115893	40	90-15
R111434	3	80-42	R113692	4	80-37	R115893	36	90-17
R111434	7	80-42	R113692	4	80-39	R115909	3	70-93
R111437	8	80-31	R113692	4	80-41	R115909	3	70-101
R111437	1	80-33	R113716	5	80-15	R115968	14	42-63
R111437	1	80-35	R114023	26	35-15	R116086	11	53-25
R111437	15	80-39	R114059	5	91-30	R116115	11	51-5
R111437	15	80-41	R114108	10	41-15	R116115	4	51-9
R111527	5	55-48	R114125	17	70-67	R116115	13	51-9
R111691	7	70-37	R114125	4	70-77	R116115	12	51-13
R111692	1	70-37	R114125	5	80-23	R116115	15	51-13
R111774	14	60-7	R114125	5	80-37	R116115	23	51-13
R111774	4	60-8	R114125	5	80-39	R116115	27	70-49
R111792	16	70-39	R114125	5	80-41	R116440	2	80-1
R111793	18	70-49	R114219	31	51-7	R116440	10	80-3
R111794	18	70-49	R114345	1	51-29	R116539	9	80-23
R111904	3	53-17	R114345	5	51-29	R116541	1	80-23
R111931	7	42-24	R114345	20	51-29	R116570	1	80-37
R111931	1	42-25	R114345	52	51-31	R116570	1	80-39
R111931	9	42-26	R114345	19	51-35	R116570	1	80-41
R112071	3	53-15	R114345	19	51-37	R116713	8	51-43
R112300	11	71-1	R114345	10	53-9	R116713	8	51-45
R112314	12	53-5	R114345	14	55-7	R116713	23	53-9
R112314	12	53-7	R114820	23	91-33	R116718	8	20-59
R112315	15	53-5	R114841	1	60-1	R116948	6	53-30
R112315	15	53-7	R114917	4	44-9	R117153	8	60-59
R112442	11	71-1	R114917	4	44-18	R117153	2	60-75
R112513	6	42-33	R115138	14	20-63	R117158	10	60-43
R112513	61	51-31	R115138	20	20-65	R117185	7	41-15
R112513	12	52-19	R115138	20	20-67	R117260	6	41-15
R112612	7	60-77	R115138	14	20-69	R117307	9	60-59
R112645	17	91-47	R115138	20	20-71	R117307	3	60-75
R112653	30	71-5	R115138	20	20-73	R117432	5	60-1
R112679	4	70-37	R115233	32	51-7	R117569	1	41-9
R112828	11	91-17	R115233	9	51-33	R117569	17	42-33
R112828	20	91-41	R115233	12	52-25	R117569	19	42-63
R112857	12	51-43	R115277	13	80-17	R117569	2	91-42
R112857	12	51-45	R115277	13	80-19	R117569	10	92-13
R112857	6	52-15	R115278	12	80-17	R117645	1	42-57
R112885	11	53-11	R115278	12	80-19	R117721	18	35-13
R112888	1	54-15	R115331	7	51-29	R117721	12	60-45
R112888	1	54-17	R115331	53	51-31	R117721	13	60-73
R112954	10	60-23	R115350	43	90-15	R117721	7	90-9
R113023	12	44-3	R115350	39	90-17	R117721	11	90-25
R113023	32	51-3	R115403	1	53-5	R118245	14	71-17
R113042	8	42-55	R115403	1	53-7	R118309	23	41-9
R113042	2	42-61	R115403	15	70-3	R119126	9	53-13
R113050	23	55-51	R115450	21	53-5	R119207	4	52-23
R113050	19	90-15	R115450	21	53-7	R119211	6	53-13
R113050	19	90-17	R115451	25	53-5	R119384	9	20-75
R113057	25	60-31	R115451	25	53-7	R119439	3	94-6
R113057	18	60-33	R115453	9	70-67	R119527	3	53-5
R113061	31	60-31	R115453	9	70-69	R119527	3	53-7
R113061	17	60-33	R115453	9	70-71	R119654	12	20-21
R113164	7	42-16	R115453	9	70-73	R119654	12	20-23
R113223	18	71-1	R115453	9	70-81	R119654	4	20-25
R113228	16	71-1	R115504	13	51-5	R119654	10	20-27
R113229	8	72-9	R115566	25	53-13	R119654	1	55-9

## NUMERICAL INDEX - CONTINUED

PART NO.	KEY	PAGE	PART NO.	KEY	PAGE	PART NO.	KEY	PAGE
R119654	9	55-11	R121580	1	55-3	R124462	3	60-31
R119654	5	80-50	R121580	12	55-3	R124462	19	60-33
R119869	2	60-29	R121580	4	55-7	R124463	35	60-31
R119890	2	91-29	R121580	6	55-7	R124463	16	60-33
R120048	16	70-39	R121764	2	20-40	R124464	15	60-31
R120055	4	60-7	R121765	2	20-41	R124464	11	60-33
R120104	2	70-63	R121787	9	91-31	R124475	38	60-31
R120104	2	70-65	R121788	28	53-11	R124478	11	60-31
R120104	2	94-11	R121788	18	70-67	R124482	29	71-7
R120105	2	70-63	R121797	3	42-30	R124482	19	71-13
R120105	2	70-65	R121823	19	51-5	R124495	5	90-13
R120105	5	94-13	R121835	12	60-73	R124576	9	51-35
R120106	4	94-13	R121918	20	42-35	R124576	9	51-37
R120108	6	94-11	R121919	19	42-35	R124693	1	94-6
R120112	2	94-15	R121929	4	20-4	R124711	23	42-35
R120113	9	94-11	R122000	10	92-20	R124716	2	42-52
R120122	2	94-13	R122029	11	90-11	R124725	7	51-21
R120123	3	94-11	R122120	16	54-7	R124733	14	91-31
R120125	1	94-15	R122120	15	54-9	R124745	7	54-26
R120126	4	94-11	R122148	11	71-1	R124745	7	54-27
R120129	4	94-15	R122197	1	51-13	R124804	17	41-5
R120130	10	94-11	R122318	8	60-73	R124807	4	70-107
R120160	3	42-57	R122339	19	42-33	R124807	4	70-111
R120160	2	90-15	R122374	50	51-31	R124807	12	71-17
R120160	2	90-17	R122390	57	51-31	R124829	3	80-66
R120160	3	91-15	R122428	2	70-63	R124859	9	92-19
R120160	2	91-17	R122428	2	70-65	R124873	14	42-33
R120213	13	35-9	R122428	4	94-9	R124958	2	80-7
R120233	30	35-15	R122474	10	55-11	R124958	2	80-9
R120515	14	91-47	R122475	13	55-11	R124961	8	80-7
R120578	16	51-19	R122476	14	55-11	R124961	8	80-9
R120578	4	52-3	R1225R	6	52-31	R124962	10	80-7
R120653	7	91-25	R122750	18	53-27	R124962	10	80-9
R120752	3	20-46	R122754	3	35-15	R125033	4	80-50
R120953	17	20-45	R122776	2	41-15	R125064	1	51-7
R120954	18	20-45	R122858	6	44-4	R125064	28	51-13
R121022	8	54-26	R122858	11	44-5	R125064	25	51-33
R121022	8	54-27	R122886	1	51-43	R125064	9	52-3
R121023	6	54-26	R122886	1	51-45	R125064	35	52-3
R121023	6	54-27	R122886	8	52-7	R125069	15	53-15
R121183	14	80-13	R122886	2	52-15	R125069	16	53-17
R121234	1	41-20	R122906	9	53-27	R125069	16	53-19
R121236	2	41-20	R122907	6	53-27	R125069	16	53-21
R121239	12	53-15	R122908	25	53-27	R125070	16	53-21
R121239	13	53-17	R122909	8	53-29	R125070	17	53-27
R121239	13	53-19	R122910	30	53-27	R125086	23	42-29
R121239	13	53-21	R122915	9	53-29	R125138	19	70-93
R121282	3	54-15	R123999	22	42-35	R125140	19	70-101
R121283	5	54-15	R124008	36	71-7	R125140	19	70-101
R121283	5	54-17	R124049	8	53-30	R125162	9	80-13
R121283	5	55-31	R124102	17	80-25	R125163	13	80-13
R121283	5	55-33	R124162	14	80-25	R125164	13	80-13
R121322	1	20-55	R124173	20	51-19	R125178	20	53-27
R121362	4	54-15	R124174	21	51-19	R125208	12	51-5
R121362	4	54-17	R124175	19	51-19	R125209	25	51-5
R121362	4	55-31	R124238	11	90-13	R125223	8	90-19
R121362	7	55-31	R124241	6	42-35	R125223	8	90-21
R121362	4	55-33	R124249	3	80-25	R125379	9	51-15
R121362	7	55-33	R124249	3	80-31	R125397	12	70-113
R121466	8	60-7	R124249	14	80-37	R125398	17	70-113
R121525	3	70-113	R124255	15	91-47	R125399	10	70-113
R121525	3	70-115	R124256	12	80-25	R125399	7	70-115
R121580	59	51-31	R124282	20	60-49	R125408	3	80-67
R121580	60	51-31	R124309	18	91-35	R125450	4	70-63
R121580	15	52-5	R124312	5	60-39	R125454	26	90-15
R121580	22	52-7	R124313	6	60-39	R125454	1	90-25
R121580	9	53-11	R124330	1	91-17	R125461	3	90-25
							25	60-27

## NUMERICAL INDEX - CONTINUED

PART NO.	KEY	PAGE	PART NO.	KEY	PAGE	PART NO.	KEY	PAGE
R125467	9	90-11	R127700	3	91-40	R131394	3	90-10
R125472	8	94-9	R127701	5	91-40	R131498	12	91-49
R125473	3	94-15	R127702	7	91-40	R131499	9	91-49
R125474	8	94-11	R127703	2	91-40	R131501	14	51-3
R125475	13	80-25	R127727	22	70-113	R131511	7	54-23
R125475	16	80-25	R127764	4	80-63	R131511	7	54-28
R125475	12	80-31	R127767	13	91-41	R131511	12	55-17
R125475	11	80-37	R127769	21	42-63	R131657	1	80-27
R125531	12	71-17	R127769	8	91-21	R131667	1	80-29
R125532	12	80-13	R127769	9	91-23	R131667	8	80-31
R125634	6	91-21	R127830	25	51-3	R131667	19	80-37
R125634	7	91-23	R127831	12	51-3	R131667	2	80-42
R125666	5	60-40	R127832	13	51-3	R131671	2	42-24
R125666	5	60-41	R127857	6	91-17	R131671	31	42-29
R125667	4	60-40	R127859	5	91-17	R131671	2	91-14
R125667	4	60-41	R127879	10	42-35	R131673	7	54-19
R125622	2	41-21	R127903	3	91-33	R131673	7	54-21
R125644	12	91-21	R127904	30	91-33	R131675	7	54-19
R125844	13	91-23	R128043	21	70-113	R131675	7	54-21
R125869	9	42-59	R128093	25	70-113	R131676	7	54-19
R125869	4	91-42	R128328	20	53-13	R131676	7	54-21
R125878	4	42-41	R128360	12	54-3	R131675	24	51-3
R125878	6	42-43	R128360	11	54-5	R131985	7	54-19
R125879	6	42-41	R128397	23	51-19	R131985	7	54-21
R125879	8	42-43	R128397	12	52-9	R131991	5	42-63
R125974	7	80-3	R128397	31	52-9	R131996	12	54-7
R125974	2	80-5	R128670	3	20-56	R131996	11	54-9
R125974	7	80-7	R128695	2	91-37	R131996	3	54-11
R125974	7	80-9	R128728	33	91-17	R131996	3	54-13
R125980	23	53-27	R128728	2	91-43	R131997	12	54-7
R125999	7	60-39	R128728	7	91-43	R131997	11	54-9
R126024	6	60-5	R128728	2	91-44	R131997	3	54-11
R126027	10	53-25	R128728	7	91-44	R131997	3	54-13
R126027	28	53-27	R128775	2	51-29	R131998	12	54-7
R126033	20	42-63	R129077	19	91-23	R131998	11	54-9
R126039	3	60-5	R129557	19	53-13	R131998	3	54-11
R126039	5	60-7	R129607	5	20-77	R131998	3	54-13
R126104	14	53-27	R129608	12	20-77	R131999	12	54-7
R126184	29	91-33	R129727	17	70-113	R131999	11	54-9
R126355	6	42-59	R130069	1	54-7	R131999	3	54-11
R126355	20	91-17	R130069	1	54-9	R131999	3	54-13
R126355	4	91-40	R130069	9	54-11	R132000	12	54-7
R126355	...	91-43	R130069	9	54-13	R132000	11	54-9
R126355	3	92-19	R130078	12	54-15	R132000	3	54-11
R126384	4	60-39	R130490	4	25-7	R132000	3	54-13
R126408	14	70-39	R130638	14	70-67	R132001	12	54-7
R126569	6	60-7	R130753	14	54-23	R132001	11	54-9
R126570	2	60-7	R130753	14	54-25	R132001	3	54-11
R126570	16	60-7	R130895	22	51-35	R132001	3	54-13
R126571	10	60-29	R130895	22	51-37	R132143	5	91-49
R126587	3	80-25	R130895	21	54-3	R132150	8	42-26
R126587	3	80-31	R130895	20	54-5	R132237	2	51-25
R126587	14	80-37	R130962	13	41-9	R132237	1	51-39
R126636	1	60-9	R130962	29	71-5	R132237	1	51-41
R126636	1	93-12	R131051	38	20-7	R132239	45	51-25
R126640	3	60-9	R131051	37	20-9	R132239	5	51-39
R126640	3	93-12	R131051	38	20-11	R132239	5	51-41
R126641	4	60-9	R131051	38	20-13	R132246	31	51-27
R126641	4	93-12	R131051	37	20-15	R132287	9	91-13
R126716	5	41-20	R131051	38	20-17	R132544	22	70-67
R126911	17	60-5	R131208	3	91-33	R132544	5	70-77
R127216	29	91-37	R131261	5	91-35	R132609	3	35-1
R127282	11	80-31	R131336	6	54-23	R132720	20	91-19
R127282	9	80-37	R131336	6	54-25	R132720	4	94-5
R127420	7	54-3	R131346	11	54-23	R132840	21	60-31
R127420	7	54-5	R131346	11	54-25	R132841	22	60-31
R127699	6	91-40	R131346	14	55-17	R132843	33	60-31

## NUMERICAL INDEX - CONTINUED

PART NO.	KEY	PAGE	PART NO.	KEY	PAGE	PART NO.	KEY	PAGE
R132843	4	60-35	R135096	25	51-25	R152283	3	41-15
R132852	17	70-39	R135096	37	51-25	R152569	13	53-7
R132971	3	54-23	R135096	14	51-27	R152590	10	53-5
R132971	3	54-25	R135096	26	51-27	R152590	10	53-7
R133095	14	51-25	R135333	43	70-11	R152879	16	71-17
R133095	26	51-25	R135364	16	51-29	R153184	14	42-35
R133095	38	51-25	R135364	33	51-31	R153185	3	42-33
R133095	13	51-27	R135364	38	51-31	R153196	12	71-17
R133095	25	51-27	R135480	5	41-19	R153196	10	71-13
R133149	10	54-23	R135480	10	41-20	R153307	23	54-19
R133149	10	54-25	R135480	5	94-5	R153307	23	54-21
R133192	4	42-24	R135481	5	41-19	R153613	1	53-15
R133192	13	91-49	R135481	10	41-20	R153614	1	53-15
R133288	11	54-19	R135481	6	94-5	R153619	19	53-15
R133288	11	54-21	R135482	3	20-32	R153620	20	53-21
R133301	5	44-19	R135482	11	43-3	R153621	20	53-17
R133302	6	44-19	R135509	11	43-3	R153621	20	53-19
R133415	13	70-81	R135510	9	43-3	R153621	20	53-21
R133450	33	91-33	R135537	13	51-21	R153621	20	71-17
R133497	35	60-49	R135543	5	53-13	R153825	14	71-9
R133517	10	60-49	R135543	6	53-15	R153825	6	71-9
R133564	3	60-23	R135543	7	53-17	R155065	14	91-21
R133572	8	60-23	R135543	7	53-19	R155065	15	91-23
R133691	15	70-39	R135543	7	53-21	R155374	22	91-19
R133794	15	71-5	R135864	5	54-19	R155375	22	91-19
R133794	18	71-17	R135864	5	54-21	R155708	13	52-23
R133867	2	54-23	R135865	5	54-19	R155708	15	52-23
R133867	2	54-25	R135865	5	54-21	R155708	16	53-13
R133871	2	54-7	R135866	21	54-15	R155922	20	51-35
R133871	2	54-9	R135866	21	54-17	R155922	20	51-37
R133871	10	54-11	R135871	5	43-6	R155922	15	55-7
R133871	10	54-13	R135875	9	54-23	R155923	4	51-21
R133899	5	90-11	R135875	9	54-25	R155924	16	51-21
R134059	25	91-23	R135875	11	55-17	R155934	8	51-21
R134060	1	91-23	R135876	8	54-23	R155951	14	51-35
R134074	37	70-11	R135876	8	54-25	R155951	14	51-37
R134075	17	51-29	R135876	10	55-17	R155951	9	55-7
R134075	34	51-31	R135876	10	55-17	R155952	15	51-35
R134075	37	51-31	R135987	7	94-5	R155952	15	51-37
R134098	2	44-18	R135989	5	54-7	R155952	10	55-7
R134098	11	80-53	R135989	5	54-9	R155952	10	55-7
R134152	4	91-49	R135991	12	54-11	R155963	3	51-19
R134184	11	55-11	R135991	12	54-13	R155963	20	51-21
R134224	3	80-7	R136151	3	20-29	R155964	9	51-9
R134224	9	80-7	R136359	3	80-11	R155964	19	51-21
R134224	3	80-9	R138179	20	91-23	R155981	27	51-23
R134224	9	80-9	R150394	3	90-11	R156485	10	53-15
R134232	3	70-53	R150573	7	51-9	R156486	11	53-17
R134326	5	42-59	R150574	6	51-9	R156496	6	80-21
R134390	10	51-21	R150628	8	92-20	R156497	6	80-17
R134391	5	51-21	R150907	13	54-7	R156497	6	80-19
R134449	18	42-35	R150907	12	54-9	R156498	6	90-17
R134581	25	51-13	R150907	4	54-11	R156498	6	80-19
R134582	7	51-13	R150907	4	54-13	R156499	6	80-17
R134583	24	51-13	R151387	12	91-19	R156499	6	80-19
R134584	10	51-13	R151700	14	71-1	R156586	15	51-21
R134619	6	91-37	R151701	13	51-7	R156614	13	70-67
R134646	8	90-9	R151799	5	80-51	R156614	3	70-77
R134646	7	90-25	R151799	8	91-5	R156615	15	70-67
R134668	16	70-81	R151799	9	91-7	R156615	2	70-77
R134705	5	70-35	R152119	9	91-42	R156765	10	51-9
R134733	22	53-13	R152120	8	91-42	R156765	18	51-21
R134954	7	71-20	R152163	34	51-27	R157057	24	53-15
R135000	8	70-49	R152164	32	51-25	R157058	24	53-17
R135001	1	70-35	R152274	14	60-18	R157058	24	53-19
R135056	6	90-10	R152274	14	60-19	R157059	14	53-15
R135096	13	51-25	R152274	14	60-20	R157059	15	53-17
			R152274	2	60-21	R157059	15	53-19
					60-23	R157061	11	53-15

## NUMERICAL INDEX - CONTINUED

PART NO.	KEY	PAGE	PART NO.	KEY	PAGE	PART NO.	KEY	PAGE
R157062	12	53-17	R163716	5	70-51	R167960	8	91-19
R157062	12	53-19	R163799	3	70-55	R167960	8	91-47
R157062	12	53-21	R163941	51	51-31	R167970	15	55-17
R157679	24	54-19	R163959	46	51-31	R167971	24	55-17
R157679	24	54-21	R163964	1	51-17	R167972	7	55-23
R157679	12	55-29	R163977	3	51-27	R167972	20	55-27
R158523	37	53-11	R163985	24	90-15	R167986	9	55-13
R159030	6	80-23	R163985	4	90-17	R168089	20	55-31
R159058	17	51-21	R163989	2	51-43	R168089	20	55-33
R159204	13	54-11	R163989	2	51-45	R168091	6	54-15
R159204	13	54-13	R163989	4	52-15	R168091	6	54-17
R159216	37	60-31	R163989	1	52-23	R168091	6	55-31
R159931	16	54-15	R163990	7	51-43	R168091	6	55-33
R159931	16	54-17	R163990	7	51-45	R168162	28	53-19
R160097	20	52-17	R163992	11	51-43	R168162	28	53-21
R160135	9	52-19	R163992	11	51-45	R168163	3	53-19
R160281	5	70-39	R163992	3	52-15	R168163	3	53-21
R160628	38	52-9	R163993	16	51-25	R168164	1	53-19
R160833	14	51-9	R163993	28	51-25	R168164	1	53-21
R160835	15	51-9	R163993	40	51-25	R168165	1	53-19
R160837	23	53-15	R163993	11	51-27	R168165	1	53-21
R160837	23	53-17	R163993	23	51-27	R168166	11	53-19
R160837	23	53-19	R163994	12	51-25	R168166	11	53-21
R160837	23	53-21	R163994	24	51-25	R168306	8	55-17
R160970	9	42-33	R163994	36	51-25	R168675	13	52-3
R160971	7	42-33	R163994	15	51-27	R168675	29	52-3
R161069	5	80-63	R163994	27	51-27	R168723	20	92-3
R161080	8	42-33	R163995	10	51-25	R169163	8	70-51
R161080	16	51-3	R163995	22	51-25	R169364	12	35-15
R161080	36	60-49	R163995	34	51-25	R169366	7	60-49
R161101	25	52-9	R163995	17	51-27	R169616	8	51-9
R161313	9	70-63	R163995	29	51-27	R169838	28	52-3
R161314	9	70-63	R164195	19	70-63	R169906	6	80-53
R161316	24	70-63	R164403	2	60-3	R169921	18	91-47
R161317	24	70-63	R164547	15	70-57	R169925	2	92-15
R161319	22	70-63	R165082	6	55-9	R169956	15	91-19
R161356	5	91-27	R165084	9	55-17	R170027	4	90-9
R161786	..	91-30	R165577	2	54-3	R170032	3	90-9
R161786	..	91-31	R165577	2	54-5	R170061	1	92-15
R161886	9	91-29	R165578	11	54-3	R170127	6	90-13
R161928	2	92-15	R165578	10	54-5	R170181	12	51-9
R161999	23	70-63	R165797	10	80-23	R170746	1	80-45
R161999	20	70-65	R166057	8	70-115	R171367	14	70-69
R162064	19	51-29	R166184	7	55-17	R171367	14	70-71
R162065	35	51-31	R166185	16	55-17	R171367	14	70-73
R162124	2	42-43	R166222	5	55-17	R171535	2	42-41
R162125	8	42-37	R166225	22	55-17	R171535	4	42-43
R162126	14	42-43	R166245	5	92-19	R171692	9	70-39
R162233	1	91-19	R166258	3	42-35	R171705	7	52-21
R162234	1	91-19	R166259	5	42-37	R171711	9	91-19
R162235	2	91-19	R166260	4	42-37	R171711	11	91-47
R162236	2	91-19	R166261	10	42-37	R171712	9	91-19
R162769	12	90-15	R166261	12	92-19	R171712	11	91-47
R162769	14	90-17	R166317	2	51-5	R171714	4	91-19
R162781	22	51-27	R166317	33	51-7	R171714	10	91-47
R162782	20	51-25	R166411	4	91-11	R171776	1	55-7
R163018	21	91-19	R166673	4	80-57	R171778	18	70-57
R163019	21	91-19	R167151	3	80-44	R171788	3	52-5
R163025	1	91-19	R167153	5	80-43	R171834	12	91-5
R163026	1	91-19	R167153	5	80-45	R171855	2	55-31
R163055	45	51-31	R167427	24	92-9	R171855	2	55-33
R163056	9	51-21	R167427	19	92-11	R171856	1	55-31
R163057	48	51-31	R167721	16	91-47	R171856	1	55-33
R163320	1	51-9	R167918	1	55-29	R171858	13	54-15
R163321	16	51-9	R167919	1	55-29	R171858	13	54-17
R163388	9	80-21	R167959	8	91-19	R171858	13	55-31
R163389	10	80-21	R167959	8	91-47	R171858	13	55-33



## NUMERICAL INDEX - CONTINUED

PART NO.	KEY	PAGE	PART NO.	KEY	PAGE	PART NO.	KEY	PAGE
R171920	1	41-18	R175434	3	44-8	R180078	13	55-25
R171976	25	44-15	R175436	5	44-8	R180078	7	55-27
R171976	17	44-17	R175436	4	80-67	R180276	11	44-4
R171976	14	91-19	R175440	16	55-43	R180276	17	44-5
R172002	21	44-15	R175440	16	55-45	R180278	8	91-30
R172051	21	55-17	R175441	17	55-43	R180303	18	53-5
R172052	21	55-17	R175441	17	55-45	R180303	18	53-7
R172053	21	55-17	R175449	2	55-21	R180671	7	44-15
R172054	2	55-9	R175457	4	55-35	R180671	9	44-17
R172055	2	55-9	R175460	2	91-19	R180952	15	55-13
R172056	2	55-9	R175462	7	42-3	R180952	15	55-13
R172119	8	55-41	R175462	7	42-5	R180954	8	55-29
R172164	18	55-35	R175462	6	42-7	R181510	14	60-49
R172166	8	55-37	R175462	10	44-1	R181515	16	60-49
R172167	27	55-37	R175462	3	44-3	R182028	1	31-30
R172170	19	55-35	R175462	1	44-10	R182029	2	31-19
R172170	19	55-37	R175462	14	44-10	R182031	2	41-19
R172173	9	55-37	R175462	5	44-11	R182033	3	44-8
R173025	3	42-45	R175462	1	44-12	R182132	2	60-8
R173045	18	51-33	R175462	7	44-12	R182695	27	53-15
R173116	15	70-69	R175576	1	80-17	R182695	26	53-17
R173116	2	70-79	R175576	1	80-19	R182695	26	53-19
R173528	24	55-37	R175576	1	80-21	R182695	26	53-21
R173567	21	70-69	R175748	17	44-15	R182848	30	71-7
R173567	24	70-71	R175773	28	55-37	R182940	13	80-27
R173567	22	70-73	R175773	17	55-53	R182940	13	80-29
R173567	5	70-79	R175892	5	44-15	R182940	10	80-33
R173626	3	51-5	R175892	18	91-19	R182940	10	80-35
R173934	42	35-15	R176135	19	55-43	R182940	13	80-39
R174049	4	44-15	R176135	25	55-51	R182940	13	80-41
R174049	18	44-17	R176175	15	44-15	R183008	1	80-57
R174049	19	91-19	R176604	1	70-69	R183409	50	25-5
R174118	16	53-13	R176604	1	70-71	R183409	10	90-19
R174225	1	53-17	R176604	1	70-73	R183409	12	90-19
R174226	1	53-17	R176581	21	51-5	R183409	10	90-21
R174304	2	55-7	R176716	17	53-5	R183409	12	90-21
R174408	5	92-20	R176716	17	53-7	R183410	2	90-7
R174437	2	70-69	R176789	7	91-25	R183411	8	90-7
R174437	2	70-71	R177410	4	80-42	R183412	13	90-19
R174437	2	70-73	R177413	4	80-42	R183412	13	90-21
R174698	11	51-33	R177496	8	70-35	R183622	13	53-5
R174700	7	51-33	R177496	16	70-49	R183792	9	54-15
R174700	9	52-25	R177553	8	92-19	R183794	9	54-17
R174701	8	51-33	R177682	26	70-61	R183944	32	92-9
R174701	10	52-25	R177772	5	70-63	R183947	4	44-3
R174703	2	70-54	R178405	6	41-18	R183966	6	80-39
R174703	2	70-55	R178405	7	41-19	R183967	5	80-39
R174714	12	70-115	R178430	6	60-49	R184003	34	80-55
R174716	13	70-115	R178430	6	60-77	R184060	15	35-13
R174822	9	92-20	R178679	7	91-9	R184060	8	80-25
R174822	8	94-5	R178686	4	91-29	R184060	9	80-27
R174823	9	92-20	R179273	18	44-15	R184062	6	35-13
R174824	9	92-20	R179273	6	44-17	R184062	10	55-59
R174863	22	60-49	R179372	4	70-51	R184062	15	90-7
R174907	6	51-15	R179511	10	70-63	R184062	27	92-17
R174948	17	51-39	R179746	16	70-69	R184064	16	35-13
R174948	17	51-41	R179746	17	70-71	R184066	9	80-25
R175319	25	55-31	R179746	17	70-73	R184066	17	80-27
R175319	25	55-33	R179849	13	55-35	R184067	7	35-13
R175354	8	70-69	R179849	20	55-37	R184067	9	55-59
R175354	8	70-71	R179850	15	55-35	R184068	16	90-7
R175354	8	70-73	R179850	21	55-37	R184068	28	92-17
R175395	12	55-9	R179852	14	55-35	R184251	8	91-11
R175396	10	55-9	R179854	10	55-35	R184546	6	60-5
R175397	4	55-21	R179858	1	55-37	R184640	11	55-59
R175398	8	55-25	R179927	6	35-9	R184640	15	60-25
R175434	7	44-1	R179970	6	80-21	R184640	8	60-27

## NUMERICAL INDEX - CONTINUED

PART NO.	KEY	PAGE	PART NO.	KEY	PAGE	PART NO.	KEY	PAGE
R184647	7	80-55	R187365	13	90-7	R192289	12	80-61
R184724	16	71-7	R187391	3	94-16	R192320	17	52-19
R184724	20	71-13	R187468	12	55-61	R192321	16	52-19
R184730	3	43-4	R187538	9	60-41	R192356	23	52-21
R184730	10	44-4	R187562	1	91-31	R192369	30	51-33
R184730	16	44-5	R187566	4	91-15	R192369	15	52-13
R184802	1	51-33	R187628	6	72-7	R192506	7	80-33
R184802	16	52-13	R187690	4	42-35	R192506	7	80-35
R184802	10	52-29	R187816	3	94-16	R192506	10	80-39
R184863	5	51-51	R187841	9	80-17	R192506	10	80-41
R184863	14	92-17	R187841	10	80-17	R192506	6	80-42
R185048	3	71-20	R187841	9	80-19	R192509	9	80-27
R185049	4	71-20	R187841	10	80-19	R192509	9	80-29
R185054	17	51-3	R187845	7	80-17	R192509	3	80-33
R185063	18	51-3	R187845	8	80-17	R192509	3	80-35
R185089	19	51-3	R187845	9	80-17	R192509	16	80-39
R185318	11	55-13	R187845	10	80-17	R192509	16	80-41
R185374	20	51-3	R187845	7	80-19	R192510	5	80-27
R185490	1	91-13	R187845	8	80-19	R192510	5	80-29
R185496	2	91-15	R187845	9	80-19	R192510	5	80-33
R185676	7	44-4	R187845	10	80-19	R192510	5	80-35
R185676	10	44-5	R188989	23	55-17	R192510	17	80-39
R185678	12	44-5	R189021	2	70-59	R192510	17	80-41
R185678	3	44-13	R189021	2	70-61	R192511	9	80-27
R185975	13	51-29	R189136	5	94-16	R192511	9	80-29
R185975	29	51-29	R189139	1	94-16	R192511	3	80-33
R185975	41	51-31	R189142	2	94-16	R192511	3	80-35
R186164	6	44-10	R189346	1	20-77	R192511	16	80-39
R186166	7	44-10	R189346	7	43-6	R192511	16	80-41
R186227	8	55-13	R189346	12	80-58	R192512	5	80-27
R186228	13	55-9	R189697	21	51-3	R192512	5	80-29
R186317	3	43-1	R189698	22	51-3	R192512	5	80-33
R186344	5	42-19	R190300	6	91-47	R192512	5	80-35
R186553	10	55-61	R190301	21	91-47	R192512	17	80-39
R186554	10	55-61	R190722	14	90-15	R192512	17	80-41
R186578	9	55-61	R190760	2	51-35	R192526	3	72-3
R186697	10	90-9	R190760	2	51-37	R192564	16	91-47
R186697	6	90-25	R190989	3	51-33	R192571	14	43-4
R186745	22	51-5	R191042	3	91-19	R192615	8	52-17
R186804	29	53-17	R191310	26	90-17	R192695	33	52-23
R186804	29	53-19	R191310	3	90-25	R192696	13	55-39
R186804	29	53-21	R191394	29	91-19	R192716	9	70-47
R186860	17	55-47	R191395	29	91-19	R192826	15	70-71
R186861	19	55-47	R191396	14	91-19	R192826	15	70-73
R186862	22	55-51	R191439	28	60-49	R192828	4	70-75
R186863	24	55-51	R191485	9	44-4	R193002	9	72-3
R186864	13	55-51	R191485	15	44-5	R193155	24	53-17
R186865	12	55-47	R191489	13	60-49	R193155	24	53-19
R186865	16	55-51	R191491	8	90-17	R193155	24	53-21
R186865	1	60-53	R191554	10	55-13	R193187	28	35-15
R186866	13	55-47	R191601	19	70-71	R193190	6	55-55
R186866	15	55-51	R191601	19	70-73	R193200	4	80-42
R186866	6	60-53	R191601	2	70-75	R193200	9	80-42
R186867	2	55-48	R191781	27	90-17	R193201	4	80-42
R186868	4	55-48	R191781	12	90-25	R193201	10	80-42
R186869	6	55-48	R191848	8	51-25	R193545	14	55-41
R186870	19	55-51	R191848	19	51-27	R193666	38	35-15
R186969	28	55-35	R191849	17	51-25	R193666	41	35-15
R186969	10	55-37	R191851	5	51-15	R193696	9	90-10
R186969	12	55-39	R191852	7	51-15	R193708	3	60-50
R187320	9	90-9	R191931	26	42-29	R193833	7	90-11
R187357	5	25-7	R192050	1	55-21	R193834	8	90-11
R187365	18	55-59	R192050	1	55-23	R193851	18	54-3
R187365	23	60-25	R192050	10	55-25	R193851	17	54-5
R187365	3	60-45	R192050	1	55-27	R193851	8	55-9
R187365	14	70-33	R192279	4	91-19	R193935	16	91-7
R187365	24	70-33	R192279	10	91-47	R193937	13	91-7

## NUMERICAL INDEX - CONTINUED

PART NO	KEY	PAGE	PART NO	KEY	PAGE	PART NO	KEY	PAGE
R194112	16	60-5	R197684	23	51-3	R205588	4	52-21
R194115	11	90-10	R197685	24	51-3	R205588	6	52-23
R194160	29	52-23	R197870	6	91-43	R205591	10	52-23
R194201	19	72-3	R197870	6	91-44	R205716	7	70-55
R194262	16	60-69	R198652	16	55-53	R206158	2	91-35
R194262	6	60-73	R198697	15	53-17	R206430	22	54-19
R194262	1	60-75	R198697	15	53-19	R206430	22	54-21
R194311	40	35-15	R198697	15	53-21	R206614	17	54-19
R194374	14	52-19	R198701	15	53-21	R206614	22	54-19
R194506	6	20-4	R199195	16	92-17	R206614	27	54-19
R194599	3	42-52	R199687	11	71-7	R206614	17	54-21
R194599	22	60-39	R199687	7	71-13	R206614	22	54-21
R194768	25	60-49	R199943	25	51-3	R206614	27	54-21
R194800	24	60-49	R200569	2	51-27	R207199	22	52-5
R194801	34	60-49	R200571	11	51-29	R207199	10	93-3
R195327	16	55-41	R200878	13	70-51	R207212	12	52-11
R195328	7	55-41	R200878	14	70-59	R207255	16	70-93
R195528	38	52-21	R200878	14	70-61	R207642	17	70-93
R195535	3	80-66	R201046	18	41-9	R207661	1	70-94
R195575	2	94-9	R201229	27	60-55	R207661	1	70-95
R195693	34	91-33	R201229	13	60-67	R207665	1	70-93
R195693	40	91-33	R201255	35	52-3	R207665	5	70-94
R196076	10	55-41	R201255	9	52-5	R207666	1	70-93
R196190	7	52-3	R201255	3	52-29	R207666	5	70-94
R196190	23	52-9	R201946	23	51-5	R207782	3	80-43
R196203	3	80-17	R202160	2	35-13	R207782	6	80-46
R196203	11	80-17	R202160	19	60-55	R208233	17	91-47
R196203	3	80-19	R202160	41	70-17	R208235	1	42-75
R196203	11	80-19	R202160	5	71-20	R208373	31	52-7
R196205	3	80-17	R202160	11	90-9	R208468	3	91-35
R196205	11	80-17	R202225	7	70-51	R208468	3	91-37
R196205	3	80-19	R202774	6	51-33	R208474	7	44-1
R196205	11	80-19	R202860	21	91-47	R208851	9	25-8
R196390	1	91-29	R202920	9	60-39	R209409	37	71-7
R196555	21	25-11	R203289	18	42-63	R209422	1	52-19
R196555	6	51-25	R203354	15	91-5	R209446	4	60-50
R196555	41	51-25	R203354	8	91-7	R209502	10	60-6
R196555	1	51-27	R203438	9	51-27	R209734	38	71-7
R196555	10	51-27	R203444	36	51-27	R209748	41	71-7
R196555	35	51-27	R203718	6	70-63	R209893	13	60-6
R196590	1	35-1	R204155	11	52-17	R210097	7	35-6
R196607	13	54-23	R204170	5	44-17	R210099	9	91-35
R196607	13	54-25	R204171	14	44-17	R210100	9	35-6
R196608	13	54-23	R204172	13	44-17	R210101	9	91-35
R196608	13	54-25	R204255	22	70-61	R210115	14	42-19
R196760	16	55-39	R204258	6	91-41	R210115	8	90-9
R196840	14	71-5	R204258	5	91-42	R210115	7	90-25
R196840	15	71-7	R204520	43	51-25	R210137	19	91-35
R196840	10	71-9	R204520	7	51-27	R210189	40	92-9
R196840	21	71-13	R204520	12	51-33	R210276	6	94-9
R196840	6	71-17	R204520	2	52-13	R210277	11	94-11
R196998	24	42-35	R204521	56	51-31	R210278	7	94-13
R197101	26	52-21	R205028	44	71-7	R210335	18	43-4
R197102	25	52-21	R205342	20	41-9	R210337	47	35-15
R197102	32	52-23	R205343	13	91-37	R210373	18	35-15
R197146	6	80-21	R205486	20	60-5	R210374	20	35-15
R197147	3	80-17	R205555	5	52-27	R210374	13	43-4
R197147	11	80-17	R205559	17	52-21	R210375	24	35-15
R197147	3	80-19	R205560	15	52-21	R210375	13	43-4
R197147	11	80-19	R205561	18	52-21	R210376	15	35-15
R197331	42	60-49	R205565	29	52-21	R210448	1	53-11
R197359	3	52-9	R205570	16	52-21	R210449	19	53-5
R197380	8	51-27	R205577	31	52-23	R210449	19	53-7
R197380	37	51-27	R205578	30	52-23	R210589	17	25-9
R197549	5	60-49	R205582	18	52-23	R210603	5	70-59
R197550	19	60-49	R205583	27	52-7	R210603	5	70-61
R197551	12	60-49	R205587	9	52-23	R210604	5	70-53

## NUMERICAL INDEX - CONTINUED

PART NO	KEY	PAGE	PART NO	KEY	PAGE	PART NO	KEY	PAGE
R210605	5	70-53	R211210	5	94-3	R214274	2	60-29
R210619	8	70-67	R211211	3	94-2	R214344	10	54-26
R210619	8	70-81	R211211	4	94-3	R214344	13	55-67
R210639	2	70-67	R211212	1	94-2	R214422	19	52-27
R210639	2	70-81	R211213	2	94-2	R214494	2	92-19
R210642	5	70-69	R211214	1	94-3	R214535	34	57-13
R210642	5	70-71	R211215	2	94-3	R214584	17	92-19
R210642	5	70-73	R211216	3	94-3	R214673	11	91-16
R210643	6	70-69	R211217	11	80-55	R214673	13	91-15
R210645	4	70-69	R211483	2	94-5	R214673	12	91-17
R210645	4	70-71	R211484	2	94-5	R214783	37	52-9
R210645	4	70-73	R211625	2	80-37	R214898	12	55-31
R210646	1	70-113	R211625	2	80-39	R214898	12	55-33
R210646	1	70-115	R211625	2	80-41	R214973	35	52-23
R210659	9	70-65	R211791	4	93-3	R214972	35	52-21
R210660	9	70-65	R211948	3	60-40	R214972	26	52-23
R210661	17	70-65	R211948	3	60-41	R215194	36	52-27
R210680	7	70-59	R211951	1	60-40	R215255	24	52-5
R210681	15	70-59	R211951	1	60-41	R215431	35	80-55
R210681	15	70-61	R212020	12A	53-9	R215432	26	80-55
R210682	7	70-59	R212178	3	42-75	R215501	6	25-7
R210682	7	70-61	R212188	7A	90-22	R215560	15	51-3
R210684	14	70-85	R212195	7	80-27	R215765	33	25-11
R210684	14	70-87	R212195	7	80-29	R215877	36	25-11
R210685	14	70-85	R212196	11	80-27	R215957	7	53-23
R210685	11	70-87	R212196	11	80-29	R215986	13	53-27
R210736	5	25-5	R212196	8	80-33	R216044	5	60-23
R210738	6	25-5	R212196	8	80-35	R216601	8	52-27
R210745	3	25-6	R212196	9	80-39	R216602	6	52-27
R210746	4	25-6	R212196	9	80-41	R216724	1	70-11
R210763	4	80-43	R212331	8	91-29	R216724	32	70-11
R210763	4	80-44	R212390	6	43-6	R216725	5	70-11
R210801	14	80-58	R212651	2	93-3	R216726	18	60-45
R210808	9	25-17	R212653	2	93-3	R216791	2	71-5
R210808	6	60-69	R212713	33	52-9	R216823	23	55-35
R210827	5	35-6	R212714	28	52-9	R216823	13	55-37
R210867	4	80-55	R212714	44	52-9	R216823	6	55-39
R210869	5	80-55	R212866	10	91-13	R216824	24	55-35
R210908	26	52-9	R212866	1	91-14	R216824	14	55-37
R210924	1	25-6	R212988	43	71-7	R216824	5	55-39
R210926	32	80-55	R213093	39	71-7	R216825	3	55-39
R210927	29	80-55	R213131	6	60-29	R216826	1	55-39
R210935	15	80-55	R213133	4	54-29	R216827	25	55-35
R210937	12	80-55	R213134	7	55-61	R216827	15	55-37
R210941	5	44-4	R213192	4	94-16	R216827	4	55-39
R210941	14	44-5	R213241	4	94-16	R216838	18	41-5
R210942	12	44-4	R213317	7	52-23	R216838	1	44-15
R210942	7	44-5	R213355	10	44-15	R216838	16	44-17
R210943	36	80-55	R213356	9	44-15	R217034	10	60-41
R210946	9	80-61	R213358	12	44-15	R217035	8	60-41
R210960	4	80-43	R213373	4	52-27	R217064	15	55-31
R210960	4	80-44	R213374	3	52-27	R217064	15	55-33
R211056	11	70-103	R213388	1	53-11	R217201	11	70-65
R211066	5	80-53	R213540	11	70-3	R217208	19	70-65
R211067	4	80-53	R213543	2	53-5	R21722	1	70-116
R211069	18	80-55	R213543	2	53-7	R21722	2	70-116
R211071	16	80-55	R213544	25	53-9	R217220	12	25-11
R211082	7	41-5	R213551	10	70-3	R217527	1	91-45
R211082	2	51-7	R213554	22	53-9	R217571	5	42-41
R211082	17	52-9	R213555	12	70-3	R217571	7	42-43
R211082	10	53-11	R213663	21	70-17	R217720	24	51-29
R211099	12	52-23	R213663	39	70-19	R217721	5	51-33
R211183	9	25-17	R213663	5	71-19	R217741	8	53-30
R211186	1	80-61	R213663	12	90-7	R217854	7	53-29
R211202	12	80-53	R213663	18	93-12	R218284	25	52-3
R211204	3	80-61	R214263	8	53-25	R218285	23	52-3
R211210	4	94-2	R214264	26	53-27	R218289	21	52-3

## NUMERICAL INDEX - CONTINUED

PART NO.	KEY	PAGE	PART NO.	KEY	PAGE	PART NO.	KEY	PAGE
R218331	3	80-46	R220359	6	55-3	R222727	33	90-17
R218331	3	80-47	R220359	8	55-3	R222761	6	71-7
R218333	5	80-47	R220469	11	60-41	R222839	9	91-5
R218342	9	43-4	R220470	12	60-41	R222839	11	91-7
R218343	15	43-4	R220474	1	53-22	R222840	14	91-5
R218347	5	52-29	R220500	18	51-5	R222840	10	91-7
R218384	9	80-53	R220513	41	90-15	R223259	9	60-31
R218484	1	91-29	R220513	37	90-17	R223384	3	93-3
R218578	1	92-1	R220514	31	90-15	R223443	21	52-7
R218578	8	92-3	R220514	32	90-17	R223477	18	52-7
R218578	22	92-19	R220593	30	53-11	R223502	9	55-21
R218648	30	52-9	R220615	7	52-27	R223502	1	55-25
R218767	1	70-67	R220679	3	52-13	R223848	1	70-117
R218767	1	70-81	R220773	27	52-21	R223849	30	70-11
R218780	5	70-67	R220778	13	52-5	R223849	1	70-117
R218780	5	70-81	R221082	10	91-5	R223850	1	70-117
R218781	6	70-67	R221082	14	91-7	R223852	11	70-11
R218781	6	70-81	R221083	4	91-5	R223852	1	70-33
R218782	4	70-67	R221245	13	52-17	R223852	1	70-117
R218786	4	70-81	R221323	30	52-5	R223856	2	70-117
R218821	10	52-5	R221451	8	91-41	R223857	31	70-11
R218917	6	70-35	R221699	8	44-3	R223857	2	70-117
R218918	6	70-35	R221772	9	60-47	R223858	2	70-117
R218919	7	52-25	R221773	7	70-28	R223859	12	70-11
R218926	27	52-9	R221774	10	60-47	R223859	29	70-33
R218933	4	70-109	R221774	7	70-17	R223859	2	70-117
R219031	6	53-9	R221774	11	70-19	R223860	3	70-117
R219317	1	42-12	R221774	4	70-26	R223861	32	70-11
R219318	3	42-9	R221774	4	70-27	R223961	3	70-117
R219318	2	93-7	R221776	2	60-45	R223862	3	70-117
R219361	13	70-3	R221777	7	60-47	R223863	13	70-11
R219501	8	90-22	R221777	6	70-28	R223863	30	70-33
R219508	14	70-3	R221778	8	60-47	R223863	3	70-117
R219509	14	70-3	R221778	8	70-17	R223864	12	90-9
R219510	14	70-3	R221778	10	70-19	R223956	34	70-65
R219526	7	52-11	R221778	3	70-26	R224023	34	52-5
R219527	5	25-14	R221778	3	70-27	R224041	19	60-25
R219527	24	52-11	R221779	10	70-33	R224046	33	60-55
R219576	9	60-55	R221863	24	80-55	R224074	4	55-23
R219638	20	52-5	R221873	10	80-55	R224074	2	55-27
R219638	1	52-31	R221873	13	80-55	R224089	39	91-33
R219720	33	70-65	R221911	3	35-13	R224235	7	52-5
R219890	6	70-51	R221912	4	35-13	R224319	10	52-7
R219905	4	70-35	R221914	19	35-13	R224320	10	52-7
R219905	13	70-49	R221926	1	91-45	R224363	12	90-11
R220053	6	70-71	R221955	11	91-3	R225003	36	52-31
R220053	6	70-73	R222074	1	80-66	R225174	12	53-27
R220053	6	70-75	R222160	3	91-9	R225209	32	52-5
R220134	22	91-33	R222162	3	91-9	R225262	16	92-5
R220146	9	44-1	R222176	42	90-15	R225264	2	52-7
R220146	6	91-29	R222176	38	90-17	R225459	21	52-23
R220146	8	91-30	R222221	11	91-13	R225461	19	52-23
R220147	31	52-21	R222223	11	91-13	R225462	11	52-23
R220197	2A	60-9	R222255	5	91-41	R225463	13	52-23
R220197	2	93-12	R222289	13	25-11	R225575	8	53-9
R220199	11	60-45	R222323	34	52-21	R225620	34	52-9
R220200	24	53-45	R222329	5	70-85	R225621	40	52-9
R220201	25	60-45	R222393	1	25-9	R225623	6	52-9
R220203	6	90-9	R222397	4	42-30	R225637	16	70-57
R220204	4	90-9	R222397	7	42-30	R225638	16	70-57
R220205	3	90-9	R222409	4	52-17	R225639	9	53-9
R220241	4	70-65	R222593	24	70-61	R225805	10	71-7
R220272	22	60-39	R222607	8	91-40	R225805	8	71-13
R220286	7	70-65	R222639	11	25-9	R225971	23	60-45
R220358	18	51-39	R222665	21	70-63	R226101	24	52-3
R220358	18	51-41	R222665	21	70-65	R226261	23	70-11
R220359	1	55-3	R222727	33	90-15	R226261	7	70-13

## NUMERICAL INDEX - CONTINUED

PART NO.	KEY	PAGE	PART NO.	KEY	PAGE	PART NO.	KEY	PAGE
R226347	1	25-11	R230361	11	44-3	R234898	23	52-23
R226598	14	52-23	R230471	11	53-21	R235010	12	52-21
R226646	14	35-5	R230667	6	70-7	R235012	12	52-17
R226925	20	70-11	R230667	9	70-26	R235018	10	52-13
R226947	3	94-3	R230667	9	70-27	R235152	4	91-3
R226949	2	94-3	R230667	13	70-28	R235245	44	70-11
R226952	1	94-3	R230997	23	70-95	R235246	42	70-11
R226953	2	94-2	R231112	2	42-8	R235271	8	52-21
R226954	1	94-2	R231115	36	70-11	R235299	5	52-17
R227013	6	44-9	R231321	12	80-67	R235304	17	91-41
R227187	4	91-21	R231534	10	52-19	R235409	8	52-31
R227187	23	91-23	R231584	40	52-5	R235616	11	35-9
R227187	11	91-41	R231624	10	70-65	R235763	16	70-33
R227701	4	91-21	R231678	7	52-19	R235932	4	70-17
R227701	23	91-23	R231858	10	90-17	R235932	29	70-19
R227701	11	91-41	R232223	18	91-41	R235933	16	70-26
R227813	17	55-61	R232224	19	91-41	R235933	16	70-27
R227863	5	91-15	R232251	33	52-5	R235933	19	70-28
R228124	39	52-21	R232252	36	52-5	R235968	3	52-21
R228130	21	52-19	R232254	23	25-5	R235968	5	52-23
R228132	20	52-19	R232254	4	35-5	R235988	16	55-9
R228133	19	52-19	R232304	7	91-29	R236188	3	70-17
R228144	3	54-17	R232522	17	25-17	R236188	31	70-19
R228144	3	55-31	R232522	2	80-58	R236189	17	70-26
R228144	3	55-33	R232527	6	80-49	R236189	17	70-27
R228216	23	52-19	R232652	6	25-6	R236190	21	70-28
R228217	22	52-19	R232673	8	52-19	R236232	5	91-23
R228251	5	42-8	R232674	22	52-23	R236488	7	91-31
R228278	8	55-11	R232675	13	52-31	R236606	15	25-17
R228279	8	55-11	R232883	24	53-11	R236775	12	70-51
R228286	12	25-6	R232883	6	60-40	R237004	52	71-7
R228315	12	31-29	R232916	5	44-4	R237004	27	71-9
R228787	9	52-31	R232916	14	44-5	R237004	28	71-13
R228788	22	52-31	R232917	12	44-4	R237040	34	90-15
R228847	1	55-9	R232917	7	44-5	R237040	7	90-17
R228847	20	55-9	R232918	13	44-5	R237177	37	52-31
R229271	1	91-15	R232963	27	70-65	R237275	1	41-13
R229426	12	54-17	R233165	8	71-7	R237474	14	91-33
R229612	16	55-35	R233165	5	71-13	R237474	7	91-35
R229613	11	55-35	R233166	9	71-7	R237474	6	91-35
R229673	17	53-9	R233166	6	71-13	R237661	17	90-7
R229687	10	54-17	R233219	4	90-25	R237706	10	54-15
R229687	10	55-33	R233220	5	90-25	R237706	10	55-31
R229690	1	53-53	R233223	5	70-33	R237709	9	54-23
R229761	17	52-31	R233223	10	90-7	R237709	9	54-25
R229762	10	52-31	R233224	18	70-33	R237709	11	55-17
R229763	23	52-5	R233271	9A	52-21	R237713	10	54-23
R229764	14	52-31	R233642	19	43-4	R237713	10	54-25
R229765	4	52-31	R233985	10A	52-21	R237714	15	55-17
R229766	21	52-5	R234148	30	25-11	R237715	9	55-17
R229766	3	52-31	R234154	38	25-11	R237730	27	91-17
R229768	5	52-31	R234302	2	91-33	R237815	6	35-15
R229769	32	52-7	R234331	3	42-67	R238007	12	92-19
R229769	16	52-31	R234437	1	52-27	R238033	5	91-11
R229848	2	53-53	R234491	6	52-5	R238058	15	70-87
R230003	20	55-35	R234527	19	42-67	R238070	13	70-87
R230004	7	55-35	R234527	3	42-70	R238071	14	70-87
R230198	5A	50-67	R234552	10	60-45	R238072	29	53-9
R230232	11	25-5	R234554	17	92-17	R238617	36	25-5
R230233	11	25-5	R234556	1	90-9	R238618	42	25-5
R230234	46	25-5	R234557	2	90-9	R238619	41	25-5
R230237	27	25-5	R234677	39	35-15	R238757	12B	55-13
R230239	26	25-5	R234686	24	52-21	R238807	12	25-9
R230240	10	25-5	R234804	25	52-23	R238914	8	25-11
R230257	25	52-31	R234805	4	92-5	R238930	43	25-5
R230263	1	80-66	R234849	3	41-18	R238995	3	70-11
R230295	26	52-31	R234875	12	80-67	R239036	14	70-87

## NUMERICAL INDEX - CONTINUED

PART NO.	KEY	PAGE	PART NO.	KEY	PAGE	PART NO.	KEY	PAGE
R239074	8	55-55	R243202	5	35-5	R245274	11	70-65
R239141	30	80-55	R243210	2	25-5	R245390	3	60-59
R239214	13	52-19	R243254	14	25-17	R245391	15	92-17
R239228	9	90-22	R243254	1	80-58	R245537	12A	70-59
R239739	8	35-5	R243272	22	25-11	R245538	12A	70-59
R240058	4	91-30	R243288	4	25-3	R245692	15	91-19
R240058	5	91-31	R243380	13	42-45	R245809	32	70-49
R240059	9	91-30	R243381	12	42-45	R245830	30	72-3
R240970	24	55-23	R243382	4	42-45	R246004	5	52-11
R240970	28	55-27	R243407	2	35-5	R246026	5	90-9
R240975	6	55-23	R243465	6	35-3	R246027	40	70-17
R240975	21	55-27	R243501	21	70-33	R246422	3	92-20
R241156	13	35-11	R243509	4	90-19	R246531	5	70-35
R241156	2	91-9	R243509	4	90-21	R246570	6	70-30
R241157	18	35-11	R243510	15	90-9	R246900	5	70-30
R241157	1	91-9	R243510	8	90-25	R246901	4	70-30
R241158	1	91-9	R243511	14	90-9	R247730	1	91-17
R241171	8	80-55	R243511	5	90-19	R248075	11	70-97
R241173	11	20-23	R243511	5	90-21	R248210	1	91-17
R241346	39	80-55	R243511	9	90-25	R248569	9	91-13
R241540	19	52-7	R243520	4	35-1	R248571	9	91-13
R241542	7	52-29	R243521	2	35-1	R248829	7	80-51
R241544	1	52-17	R243522	9	35-1	R248888	31	80-55
R241916	3	52-7	R243536	19	92-17	R248908	38	80-55
R241922	8	41-9	R243540	11	25-3	R248916	21	80-55
R241927	15	91-31	R243542	12	25-3	R249205	10	91-42
R241941	15	60-63	R243544	16	55-59	R249271	12	90-22
R241941	6	60-65	R243544	21	60-25	R249577	13	52-23
R241962	3A	70-59	R243562	22	80-55	R249747	25	70-33
R241963	3B	70-59	R243567	17	80-55	R250002	19	52-17
R241963	3	70-61	R243674	6	43-4	R250003	37	52-21
R241966	10	35-5	R243714	14	70-39	R250019	33	52-21
R241967	11	35-5	R243802	7	44-6	R250072	14	25-17
R242056	6	70-65	R243802	7	44-7	R250072	1	50-58
R242057	31	70-65	R243832	11	52-7	R250082	5	52-19
R242148	1	80-50	R243911	5	41-7	R250240	8	44-3
R242149	1	80-50	R243982	38	53-11	R250294	35	25-11
R242154	1	80-63	R243983	1	55-15	R250296	2	25-11
R242230	4	41-19	R243984	4	55-15	R250298	7	25-11
R242230	15	91-19	R243985	2	55-15	R250316	6	80-50
R242338	11	80-61	R244117	37	52-21	R250575	13	90-22
R242373	7	91-21	R244138	1	91-40	R250598	14	25-3
R242373	8	91-23	R244146	1	80-68	R250649	11	25-7
R242374	10	43-4	R244202	12	91-17	R250746	17	25-17
R242392	10	25-17	R244253	2	55-23	R250746	4	80-49
R242392	23	25-17	R244253	3	55-27	R250746	2	80-58
R242392	11	60-69	R244255	19	25-17	R250839	22	54-19
R242392	15	60-69	R244400	9	41-11	R250839	22	54-21
R242396	1	25-17	R244439	40	53-11	R250848	17	54-19
R242396	12	60-69	R244465	22	70-49	R250848	22	54-19
R242453	39	52-5	R244471	1	91-45	R250848	27	54-19
R242454	24	25-5	R244495	5	60-67	R250848	17	54-21
R242455	6	80-50	R244620	13	52-13	R250848	22	54-21
R242456	5	70-65	R244633	11	52-7	R250848	27	54-21
R242501	8	60-5	R244664	23	90-15	R251098	9	90-10
R242511	24	60-45	R244664	29	90-17	R251320	35	80-55
R242526	17	52-23	R244856	10	44-15	R251324	2	70-15
R242568	15	52-23	R244925	27	52-31	R251324	3	25-3
R242621	20	55-45	R244926	28	52-31	R251581	9A	52-21
R242623	40	60-49	R244927	29	52-31	R252217	9B	52-21
R242623	5	60-77	R244928	30	52-31	R252217	10B	52-21
R242782	35	52-3	R244929	31	52-31	R252218	10B	52-21
R242907	1	25-5	R244930	32	52-31	R252624	17	90-7
R242916	3	25-11	R245010	3	51-5	R252632	19	53-5
R243035	18	52-5	R245020	35	52-31	R252632	19	53-7
R243037	18	52-5	R245084	13	70-30	R252639	12B	53-9
R243119	8	55-55	R245092	8	70-30	R252646	1	53-22
						R252675	22	55-23

## NUMERICAL INDEX - CONTINUED

PART NO.	KEY	PAGE	PART NO.	KEY	PAGE	PART NO.	KEY	PAGE
R252675	26	55-27	R26375	47	70-11	R33259	33	51-13
R252736	7	42-3	R26375	2	70-47	R33259	16	55-47
R252736	7	42-5	R26375	13	70-97	R33259	14	55-51
R252736	6	42-7	R26375	9	70-99	R33259	7	60-53
R252736	11	44-1	R26375	4	70-116	R33259	20	90-15
R252736	15	44-3	R26375	1	72-9	R33259	21	90-17
R252736	1	44-10	R26375	10	92-17	R34802	20	55-47
R252736	20	44-10	R26448	27	60-31	R34812	2	42-63
R252736	1	44-12	R26448	8	60-33	R35022	3	20-51
R252736	8	44-12	R26448	5	60-43	R35352	11	60-73
R252954	1	60-40	R26448	1	92-17	R35717	5	60-75
R252955	1	53-11	R26552	2	60-31	R35794	9	60-43
R253025	3	55-15	R26552	3	60-35	R36402	2	70-82
R253051	14	25-17	R26871	9	70-37	R36658	3	70-116
R253051	1	80-58	R26906	14	55-47	R36659	3	70-116
R253894	19	25-17	R26906	11	55-51	R37287	1	54-11
R253922	8	80-50	R26906	4	60-53	R37287	1	54-13
R254022	6	35-3	R26906	50	70-11	R375R	14	53-11
R254257	19	55-23	R27036	22	52-11	R375R	2	55-49
R254257	8	55-27	R27166	18	52-3	R38221	31	53-27
R254355	8	55-23	R27166	15	55-47	R39228	16	70-11
R254355	19	55-27	R27166	17	55-51	R394R	1	55-49
R254628	17	60-47	R27166	5	60-53	R39554	2	35-11
R254629	18	60-47	R27175	9	20-27	R39554	3	42-51
R254929	5	44-8	R27296	17	25-11	R39741	1	20-31
R254929	4	80-67	R27296	4	55-41	R39741	1	25-12
R254930	9	44-1	R27329	32	53-27	R40687	16	42-35
R254930	21	44-10	R27329	2	53-29	R40687	21	42-35
R254930	6	91-29	R27928	12	51-7	R40915	2	70-37
R254930	8	91-30	R27928	28	51-19	R41076	8	70-37
R255600	4	43-5	R28213	11	52-21	R41440	8	42-59
R255725	15	91-7	R28574	2	80-15	R41440	16	42-67
R255777	46	70-11	R28583	5	35-11	R41440	1	42-70
R255795	6	70-30	R28640	14	51-33	R41440	27	91-23
R255799	16	70-30	R28640	1	52-13	R41934	5	20-46
R255801	13	70-30	R28671	34	51-7	R42340	18	20-55
R255897	26	91-17	R28671	20	51-33	R42765	1	55-17
R255897	30	91-17	R28671	1	52-7	R42766	1	55-17
R255898	24	91-17	R28671	15	52-25	R42849	30	51-13
R255898	25	91-17	R28776	12	55-51	R42849	21	53-11
R256118	32	80-55	R28776	32	60-31	R43409	1	20-45
R256413	29	91-37	R28776	13	60-33	R43409	17	20-77
R256868	8	90-22	R28776	51	70-11	R43750	26	55-31
R256869	5B	80-67	R28782	12	55-25	R43750	26	55-33
R257100	3	71-7	R28782	6	55-27	R44097	3	41-20
R257305	4	35-1	R28782	21	55-47	R44097	2	42-51
R257306	9	35-1	R28782	7	55-49	R44165	8	42-29
R257332	2	35-1	R28782	25	71-5	R44302	7	35-11
R257681	9	60-39	R28811	3	20-5	R44302	..	41-5
R257687	4	70-35	R29340	18	70-51	R44302	..	42-47
R257687	13	70-49	R29340	20	70-59	R44302	18	42-67
R257815	6	91-17	R29340	20	70-61	R44302	24	51-5
R257816	5	91-17	R30319	4	70-49	R44302	17	60-25
R258560	8	70-81	R30398	14	80-11	R44302	31	60-27
R259090	20	42-33	R30815	5	70-116	R44302	22	70-39
R259710	26	90-7	R30815	5	70-116	R44302	..	71-5
R259884	2B	60-9	R30817	6	70-116	R44302	35	90-17
R25115	8	51-17	R30903	24	60-31	R44302	13	91-17
R25115	10	51-19	R30903	5	60-33	R44302	..	91-23
R26286	18	25-11	R30903	6	60-33	R44342	9	42-31
R26286	15	55-41	R30903	24	70-11	R44394	24	51-7
R26287	26	60-31	R30903	6	70-13	R44394	14	51-13
R26287	7	60-33	R31251	10	80-11	R460R	33	52-7
R26333	2	20-2	R31378	27	52-11	R460R	15	52-31
R26333	3	20-3	R32617	6	20-46	R46414	12	25-7
R26375	20	55-51	R33259	9	51-7	R47160	4	35-11
			R33259	17	51-13	R47172	8	42-63



## NUMERICAL INDEX - CONTINUED

PART NO.	KEY	PAGE	PART NO.	KEY	PAGE	PART NO.	KEY	PAGE
R47474	36	42-29	R505514	3	20-39	R52006	2	80-33
R47545	23	52-31	R50879	8	60-39	R52006	6	80-33
R47862	4	60-78	R515224	13	43-3	R52006	2	80-35
R48163	14	70-63	R515407	4	20-37	R52006	6	80-35
R48163	14	70-65	R515407	10	20-39	R52006	13	80-37
R48164	15	70-63	R517073	7	20-49	R52006	18	80-37
R48164	15	70-65	R51719	8	80-27	R52006	11	80-39
R48450	10	91-21	R51719	8	80-29	R52006	14	80-39
R48450	11	91-23	R51719	11	80-33	R52006	11	80-41
R48517	21	51-21	R51719	11	80-35	R52006	14	80-41
R48523	22	51-21	R51719	18	80-39	R52006	5	80-42
R48568	27	80-55	R51719	18	80-41	R52006	8	80-42
R48685	7	51-5	R517522	8	20-51	R520102	1	20-35
R48685	35	51-7	R518087	6	20-51	R520121	19	20-63
R48685	16	51-39	R518212	6	20-45	R520121	24	20-65
R48685	16	51-41	R518233	7	20-55	R520121	24	20-67
R48685	17	52-3	R518254	21	20-7	R520121	19	20-69
R48685	35	52-3	R518254	22	20-9	R520121	24	20-71
R48685	8	52-5	R518254	23	20-11	R520121	24	20-73
R48685	23	52-7	R518254	21	20-13	R520135	3	20-60
R48685	16	52-23	R518254	22	20-15	R520223	4	20-55
R48685	6	54-7	R518254	23	20-17	R520224	3	20-55
R48685	6	54-9	R518255	7	20-45	R520410	7	20-32
R48685	1	55-3	R518260	3	20-19	R520424	4	20-19
R48685	13	55-3	R518263	2	20-1	R520435	32	92-17
R48691	6	60-40	R518319	1	20-75	R520441	2	20-7
R48691	6	60-41	R518345	39	20-7	R520441	2	20-9
R48738	17	70-11	R518345	39	20-9	R520441	2	20-11
R48811	1	55-17	R518345	40	20-11	R520441	2	20-13
R49297	15	70-11	R518345	39	20-13	R520441	2	20-15
R495R	3	70-5	R518345	39	20-15	R520441	2	20-17
R500055	26	20-59	R518345	40	20-17	R520632	2	20-32
R500642	1	20-52	R518353	14	20-59	R520662	1	20-5
R501035	4	20-49	R518376	7	20-59	R520701	2	20-28
R501388	19	20-35	R518551	2	20-4	R520798	8	20-55
R501388	27	20-35	R518619	9	20-77	R520844	2	20-21
R502011	4	20-60	R518804	25	20-59	R520844	2	20-23
R502753	1	55-9	R518871	36	20-7	R520844	14	20-25
R502753	21	55-9	R518871	36	20-9	R520844	11	20-27
R502773	7	20-52	R518871	37	20-11	R520928	5	20-43
R50279	13	90-15	R518871	36	20-13	R521040	22	20-7
R504016	1	20-78	R518871	36	20-15	R521040	23	20-9
R504235	6	20-55	R518871	37	20-17	R521040	24	20-11
R504289	20	20-59	R51892	6	60-75	R521040	22	20-13
R504668	23	20-59	R519287	16	20-45	R521040	23	20-15
R504669	13	20-59	R519311	8	20-32	R521040	24	20-17
R504670	2	20-59	R519336	4	20-51	R52107	4	70-103
R504781	40	20-7	R519361	5	20-32	R521158	17	20-63
R504781	40	20-9	R519398	7	20-77	R521158	23	20-65
R504781	42	20-11	R519414	8	20-43	R521158	23	20-67
R504781	40	20-13	R519426	20	20-77	R521158	17	20-69
R504781	40	20-15	R519427	7	20-46	R521158	23	20-71
R504781	42	20-17	R519429	8	20-46	R521158	23	20-73
R504810	14	20-77	R519439	19	20-77	R521261	9	20-51
R504810	28	20-77	R519640	6	20-49	R52130	8	42-67
R504811	8	20-45	R519690	3	20-78	R52130	3	42-69
R504811	7	20-75	R519989	8	20-77	R52130	4	42-70
R504829	17	20-55	R52006	16	70-67	R521316	2	20-51
R504885	13	20-57	R52006	6	70-77	R521323	1	20-32
R50499	10	90-13	R52006	2	80-25	R521406	9	20-63
R505452	37	20-7	R52006	6	80-25	R521406	8	20-65
R505452	38	20-9	R52006	2	80-27	R521406	8	20-67
R505452	39	20-11	R52006	6	80-27	R521406	9	20-69
R505452	37	20-13	R52006	2	80-29	R521406	8	20-71
R505452	38	20-15	R52006	6	80-29	R521406	8	20-73
R505452	39	20-17	R52006	2	80-31	R521407	5	20-63
R505514	3	20-37	R52006	9	80-31	R521407	4	20-65

NUMERICAL INDEX - CONTINUED

PART NO.	KEY	PAGE	PART NO.	KEY	PAGE	PART NO.	KEY	PAGE
R521407	4	20-67	R58256	15	53-9	R69166	2	70-115
R521407	5	20-69	R58257	14	53-9	R69340	9	52-11
R521407	4	20-71	R58258	13	53-9	R69408	3	70-82
R521407	4	20-73	R58865	17	80-25	R69409	3	70-82
R521449	5	20-59	R59384	10	53-13	R69549	22	53-17
R521500	6	20-43	R59422	4	55-49	R69549	22	53-19
R52188	11	80-11	R59439	17	53-15	R69549	22	53-21
R522049	13	20-55	R59439	18	53-17	R71077	5	20-49
R522412	2	20-56	R59439	18	53-19	R71351	14	90-22
R522416	41	20-11	R59439	18	53-21	R71387	2	70-116
R522416	41	20-17	R59440	17	53-15	R71732	3	20-82
R522574	6	20-32	R59440	18	53-17	R71975	28	53-17
R522768	3	20-4	R59440	18	53-19	R72090	4	54-7
R522921	19	20-35	R59440	18	53-21	R72090	4	54-9
R522921	27	20-35	R59575	15	91-3	R72090	6	54-11
R522921	28	20-35	R59843	28	53-15	R72090	6	54-13
R523097	5	20-39	R60161	23	25-11	R72653	4	61-13
R523306	4	20-2	R60730	3	60-8	R72653	11	60-33
R523306	4	20-3	R60755	17	60-31	R72654	27	61-3
R52389	16	53-15	R60755	2	60-36	R72853	2	44-6
R524234	20	20-11	R61461	17	53-15	R72853	2	44-7
R524234	20	20-17	R61461	18	53-17	R73040	2	53-25
R524337	4	20-32	R61461	18	53-19	R73291	5	61-17
R524513	15	20-77	R61461	18	53-21	R73291	5	61-43
R52665	6	51-13	R62070	23	51-7	R73380	15	60-7
R52931	7	42-26	R62070	27	51-19	R73498	10	36-11
R53226	3	60-39	R62129	12	54-23	R73635	3	80-1
R53658	3	70-35	R62129	12	54-25	R74008	5	20-49
R54064	19	70-81	R62129	13	55-17	R74210	19	80-25
R54123	2	25-13	R63237	17	53-17	R74210	19	80-25
R54380	2	53-11	R63237	17	53-19	R74242	1	70-119
R54380	5	53-11	R63237	17	53-21	R74243	2	70-119
R54380	7	53-15	R63548	34	20-7	R74244	3	70-119
R54380	8	53-17	R63548	34	20-9	R74246	4	70-119
R54380	8	53-19	R63548	35	20-11	R76459	5	70-119
R54380	8	53-21	R63548	34	20-13	R76477	6	70-119
R54380	15	55-11	R63548	34	20-15	R76617	5	60-73
R54380	2	80-46	R63548	35	20-17	R76617	46	70-119
R54380	2	80-47	R63548	35	20-17	R76695	9	43-63
R54381	1	55-11	R63548	14	20-35	R77175	18	51-11
R54477	1	35-9	R63548	25	20-35	R77175	20	52-3
R54477	7	35-9	R63548	7	20-63	R77175	15	52-3
R54701	17	91-17	R63548	6	20-65	R77175	5	53-1
R55181	23	53-13	R63548	6	20-67	R77175	6	53-1
R55926	5	25-6	R63548	7	20-69	R77175	4	53-13
R55926	5	80-49	R63548	6	20-71	R77175	25	53-13
R55926	13	80-58	R63548	6	20-73	R77175	29	53-13
R55927	22	91-17	R63575	14	53-21	R77175	4	53-13
R55927	21	91-41	R63579	41	80-55	R77175	10	53-13
R56101	19	25-3	R64234	17	70-3	R77175	7	53-13
R56101	10	25-7	R64235	17	70-3	R77175	11	53-13
R56101	11	35-15	R64236	17	70-3	R77175	26	53-13
R56101	2	71-20	R64237	17	70-3	R77476	5	42-13
R56397	26	51-3	R64822	27	42-29	R77480	7	42-13
R56397	10	60-39	R64822	8	42-61	R77480	4	42-31
R56465	19	52-5	R64822	8	90-13	R77673	3	35-3
R56465	7	55-11	R64822	4	91-9	R78027	3	54-23
R56504	3	70-37	R65477	22	91-41	R78027	3	54-21
R57311	16	52-11	R66307	7	80-13	R78027	2	80-13
R57311	8	52-13	R67619	9	70-59	R78047	3	40-3
R57311	18	52-17	R67619	23	70-59	R78048	10	40-3
R57312	17	52-11	R67619	9	70-61	R78048	11	41-23
R57312	7	52-13	R67619	23	70-61	R78048	14	41-23
R57312	17	52-17	R68166	24	53-13	R78049	14	40-3
R57313	18	52-11	R68167	21	53-13	R78050	18	40-3
R57313	16	52-17	R68682	1	53-31	R78051	23	40-3
R58255	16	53-9	R68682	..	53-31	R78052	5	40-3
			R69166	2	70-113	R78053	13	40-3

NUMERICAL INDEX - CONTINUED

PART NO	KEY	PAGE	PART NO.	KEY	PAGE	PART NO	KEY	PAGE
R78053	10	41-23	R83066	4	90-22	R92097	18	20-69
R78053	16	42-67	R83066	1	91-47	R92097	25	20-71
R78053	19	44-15	R83150	23	54-3	R92097	25	20-73
R78054	16	40-3	R83150	22	54-5	R92871	2	54-15
R78054	14	42-27	R83150	8	54-7	R92871	2	54-17
R78054	3	60-49	R83150	8	54-9	R93219	1	40-10
R78055	21	40-3	R83151	23	54-3	R93220	1	40-10
R78056	25	40-3	R83151	22	54-5	R93221	1	40-10
R78057	2	40-3	R83151	8	54-7	R93222	1	40-10
R78058	22	40-3	R83151	8	54-9	R93485	16	53-27
R78058	3	60-49	R83152	23	54-3	R94166	9	55-9
R78059	1	40-3	R83152	22	54-5	R94361	4	70-55
R78059	30	40-7	R83152	8	54-7	R94545	22	53-15
R78060	2	40-3	R83152	8	54-9	R94655	13	53-15
R78060	9	40-3	R83474	14	54-3	R94655	14	53-17
R78060	12	40-3	R83474	13	54-5	R94655	14	53-19
R78060	11	41-23	R83508	18	70-11	R94655	14	53-21
R78060	14	41-23	R83534	2	70-63	R95045	15	51-7
R78061	6	40-3	R83534	2	70-65	R95045	4	51-19
R78061	22	40-3	R83559	3	54-23	R95045	19	52-9
R78061	10	41-23	R83559	3	54-25	R95045	8	53-3
R78062	1	40-3	R83560	3	54-23	R95078	1	52-9
R78063	1	40-3	R83562	3	54-25	R95119	5	50-23
R78063	7	40-3	R84262	1	41-23	R95152	8	52-29
R78063	12	40-3	R84262	8	20-21	R95494	3	71-1
R78063	7	40-5	R84262	8	20-23	R95494	3	71-9
R78063	12	40-5	R84262	7	20-25	R95494	2	72-7
R78063	28	40-7	R84262	3	53-11	R95784	22	53-27
R78063	1	41-16	R84262	5	55-11	R95800	9	42-55
R78063	10	41-23	R84262	10	55-23	R96066	4	43-6
R78063	11	41-23	R84262	17	55-27	R96248	8	30-10
R78063	14	41-23	R84609	11	53-13	R96248	15	30-15
R78064	26	40-3	R85027	10	20-51	R96248	12	30-17
R78064	34	40-7	R86270	15	52-11	R96703	5	43-3
R78066	1	41-16	R86270	9	52-13	R97116	4	51-7
R78393	9	60-18	R86308	11	51-21	R98012	14	51-39
R78393	9	60-19	R86457	5	70-37	R98012	14	51-41
R78393	9	60-20	R86638	39	52-9	R98012	18	54-7
R78393	9	60-21	R37047	20	54-15	R98012	17	54-9
R78425	35	51-3	R37047	20	54-17	R98012	7	54-15
R79033	5	44-13	R37047	19	55-31	R98012	7	54-17
R79033	5	91-19	R37047	19	55-33	R98012	3	55-11
R79117	7	60-17	R37561	11	20-45	R98012	8	55-31
R79989	17	53-15	R37656	6	91-3	R98012	8	55-33
R79989	18	53-17	R37907	8	60-63	R98064	1	20-59
R79989	18	53-19	R38246	26	53-11	R99039	9	52-7
R79989	18	53-21	R38246	15	53-13	R99039	8	52-25
R80436	14	70-51	R38246	1	53-27	R99437	9	20-25
R80436	4	70-57	R38246	7	60-41	R99437	5	30-31
R80436	13	70-59	R38665	15	70-81	R99437	16	30-37
R80436	13	70-61	R38667	22	70-81	R99466	17	53-13
R81162	21	53-15	R39411	34	52-3	R99673	17	54-15
R81162	21	53-17	R91360	23	20-7	R99673	17	54-17
R81162	21	53-19	R91360	21	20-9	R99673	16	55-31
R81162	21	53-21	R91360	22	20-11	R99673	16	55-33
R81372	3	94-13	R91360	23	20-13	R99692	9	51-25
R81374	5	94-11	R91360	21	20-15	R99692	21	51-25
R81456	3	91-29	R91360	22	20-17	R99692	33	51-25
R82007	19	20-45	R91842	4	51-27	R99692	18	51-27
R82007	22	53-11	R91842	3	51-29	R99692	30	51-27
R82007	14	55-9	R91842	15	54-15	R99692	5	53-5
R82444	24	91-37	R91842	15	54-17	R99692	5	53-7
R82445	23	91-37	R91842	14	55-31	TY15435	1	30-65
R82908	5	54-23	R91842	14	55-33	TY15630	6	30-64
R82908	5	54-25	R92097	18	20-63	TY15939	1	70-118
R83066	10	90-11	R92097	25	20-65	TY15941	1	30-65
R83066	..	90-13	R92097	25	20-67	TY15949	..	90-1

## NUMERICAL INDEX - CONTINUED

PART NO.	KEY	PAGE	PART NO.	KEY	PAGE	PART NO.	KEY	PAGE
TY15951	..	90-1	T146102	2	20-33	T44824	5	51-35
TY15969	1	80-65	T146102	4	43-3	T44824	5	51-37
TY16021	..	53-11	T146104	8	43-3	T44931	4	53-29
TY16021	..	70-49	T146104	6	94-13	T44932	4	53-29
TY16285	1	80-65	T146106	8	43-3	T44933	4	53-29
TY16306	7	91-27	T146106	7	94-11	T44934	4	53-29
TY22043	2	70-1	T146515	8	43-3	T44935	4	53-29
TY22044	2	70-1	T146516	8	43-3	T44936	4	53-29
TY22063	2	70-1	T146517	8	43-3	T44937	4	53-29
TY22328	16	60-25	T15509	28	25-11	T49616	17	70-3
TY22328	30	60-27	T15712	9	35-11	T54904	22	55-45
TY22328	14	60-73	T15969	2	42-31	T54904	6	55-49
TY22328	4	90-9	T164203	32	35-15	T55585	1	35-11
TY22328	6	90-9	T17148	3	60-1	T55585	1	42-31
TY22417	3	35-11	T171686	6	92-3	T57246	32	71-13
TY22467	10	35-15	T177591	..	92-5	T61226	10	54-3
TY22467	36	35-15	T178251	10	90-15	T61226	9	54-5
TY22467	43	35-15	T178251	16	90-17	T63817	26	91-23
TY22467	7	60-61	T17951	18	55-47	T69354	11	70-97
TY22473	6	41-23	T181306	7	25-9	T75497	6	70-105
TY22475	6	41-23	T184620	32	90-15	T76938	29	70-17
TY22552	3	42-11	T184620	11	90-17	T76938	14	70-19
TY22565	2	25-3	T184924	25	90-15	T77613	16	20-7
TY22565	11	25-7	T184924	25	90-17	T77613	26	20-7
TY24439	7	43-3	T184924	12	90-25	T77613	16	20-9
TY24445	1	80-65	T188305	7	25-9	T77613	28	20-9
TY24479	2	80-66	T201525	4	70-7	T77613	16	20-11
TY25139	7	91-25	T205672	11	92-5	T77613	29	20-11
TY25879	1	43-4	T205819	13	44-6	T77613	16	20-13
TY26194	1	40-1	T205819	13	44-7	T77613	26	20-13
TY3018	3	70-116	T21242	6	20-52	T77613	16	20-15
TY3019	3	70-116	T22828	9	60-17	T77613	28	20-15
TY6304	1	80-65	T23027	2	80-48	T77613	16	20-17
TY6764	2	90-1	T24166	1	40-8	T77613	29	20-17
TY8311	1	80-65	T24167	9	40-8	T77613	6	20-35
TY9370	1	80-65	T24653	11	52-19	T77613	22	20-63
TY9371	1	80-65	T24958	11	51-47	T77613	25	20-63
TY9374	1	80-65	T24958	11	51-49	T77613	10	20-65
TY9375	1	80-65	T25879	4	70-82	T77613	10	20-67
T112635	5	70-113	T26565	36	51-7	T77613	22	20-69
T112635	5	70-115	T26565	12	51-15	T77613	25	20-69
T118549	11	52-31	T26565	22	51-19	T77613	10	20-71
T11899	15	71-5	T26565	12	52-29	T77613	10	20-73
T11899	7	71-17	T27260	18	91-33	T77613	10	35-13
T121280	28	51-33	T27523	6	35-1	T77613	21	51-9
T121280	2	52-25	T27550	15	25-3	T77613	12	51-11
T121280	9	70-3	T27550	46	70-17	T77613	46	53-11
T122075	5	20-1	T27550	36	70-19	T77613	48	53-11
T122075	5	70-105	T28583	10	42-27	T77613	7	55-3
T122803	18	20-35	T28586	4	42-14	T77613	4	55-5
T12529	20	54-3	T32146	8	80-63	T77613	2	55-19
T12529	19	54-5	T35390	3	20-40	T77613	26	55-45
T13119	17	35-11	T35390	3	20-41	T77613	23	60-15
T13119	9	55-35	T39741	4	51-35	T77613	4	60-25
T13331	17	54-3	T39741	4	51-37	T77613	18	60-27
T13331	16	54-5	T39741	13	51-39	T77613	5	60-45
T13331	7	55-9	T39741	13	51-41	T77613	20	60-45
T13332	17	54-3	T42302	8	70-7	T77613	13	60-55
T13332	16	54-5	T42302	11	70-26	T77613	3	60-61
T13332	7	55-9	T42302	11	70-27	T77613	7	60-63
T13333	17	54-3	T42302	14	70-28	T77613	14	60-63
T13333	16	54-5	T42426	31	70-49	T77613	11	60-67
T13333	7	55-9	T42571	4	60-31	T77613	27	70-11
T13519	15	20-55	T42571	2	60-33	T77613	9	70-13
T143166	26	51-19	T43512	1	80-65	T77613	14	70-13
T143167	10	42-61	T43513	1	80-65	T77613	7	70-15
T143534	32	91-17	T43514	1	80-65	T77613	11	70-17

## NUMERICAL INDEX - CONTINUED

PART NO	KEY	PAGE	PART NO	KEY	PAGE	PART NO	KEY	PAGE
T77613	46	70-19	T77932	12	55-59			
T77613	4	70-21	T77932	9	60-15			
T77613	3	70-23	T77932	12	60-15			
T77613	7	70-23	T77932	19	60-31			
T77613	2	70-25	T77932	14	60-33			
T77613	17	70-25	T77932	14	60-43			
T77613	2	70-97	T77932	14	60-45			
T77613	10	70-99	T77932	6	70-11			
T77613	17	71-5	T77932	50	70-19			
T77613	2	71-17	T77932	15	70-28			
T77613	8	72-5	T77932	3	72-7			
T77613	16	72-5	T77932	10	93-4			
T77613	28	92-9	T77932	11	93-12			
T77613	21	92-17	T80123	25	25-11			
T77613	3	25-9	T80937	2	25-9			
T77814	2	60-15	T81030	11	60-63			
T77814	17	60-15	U10289	10	51-35			
T77814	29	60-55	U10289	10	51-37			
T77814	27	70-17	U10289	28	52-7			
T77814	42	70-19	U10289	24	70-49			
T77814	12	70-23	U10624	2	53-9			
T77814	23	71-5	U11326	22	51-7			
T77857	2	51-11	U11647	1	70-116			
T77857	9	51-47	U13639	2	20-31			
T77857	9	51-49	U13639	2	25-12			
T77857	3	51-51	U13639	3	25-13			
T77857	20	53-11	U13639	7	55-48			
T77857	7	55-13	U13639	38	70-11			
T77857	6	55-59	U17409	28	60-31			
T77857	21	60-15	U17409	9	60-33			
T77857	5	60-25	U17409	6	72-9			
T77857	5	60-27	U17409	2	72-11			
T77857	12	60-27	U41966	20	51-7			
T77857	16	60-27	U41966	3	51-19			
T77857	4	60-43	U41966	21	52-9			
T77857	13	60-43	U41966	7	53-3			
T77857	11	60-47	U42016	18	70-3			
T77857	3	60-55	U42111	20	53-9			
T77857	14	70-15	U43352	5	55-49			
T77857	9	70-25	U43871	17	52-5			
T77857	6	70-26	U44496	3	51-43			
T77857	6	70-27	U44496	3	51-45			
T77857	9	70-28	U44496	5	52-15			
T77857	22	70-28	U44496	27	53-9			
T77857	3	70-47	U45916	26	91-37			
T77857	1	71-18	U46662	4	42-31			
T77857	1	71-19	Z22491	14	91-35			
T77857	9	72-5	Z51982	11	42-67			
T77857	14	72-5	400R	25	70-11			
T77857	7	92-17	400R	5	70-13			
T77857	4	93-4	405R	28	53-9			
T77857	13	93-12	811828300	11	42-75			
T77858	15	51-11						
T77858	30	51-11						
T77858	12	52-3						
T77858	8	55-5						
T77858	13	55-53						
T77858	5	55-55						
T77858	16	60-43						
T77858	13	60-47						
T77858	10	70-17						
T77858	1	70-19						
T77858	9	70-21						
T77858	13	70-26						
T77858	13	70-27						
T77858	28	70-33						
T77932	14	55-53						